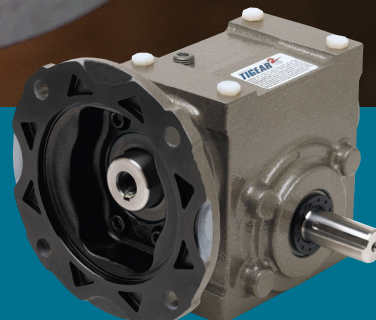
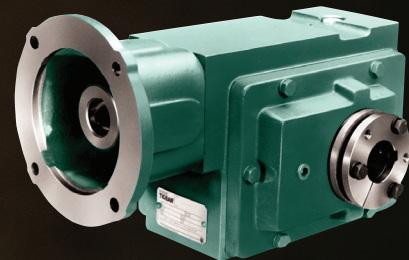
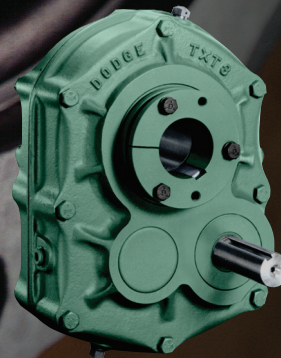


DODGE[®]

2010

**GEARING
ENGINEERING
CATALOG**

TORQUE ARM II
TORQUE ARM
MAXUM
TIGEAR-2



BALDOR[®]

To receive a copy of the DODGE Bearing Engineering Catalog, DODGE Gearing Engineering Catalog, DODGE Power Transmission Components Engineering Catalog, or DODGE Product Manuals, contact your local authorized DODGE Distributor or www.baldor.com.

MEMBER OF . . .



AMERICAN GEAR MANUFACTURERS ASSOCIATION



MECHANICAL POWER TRANSMISSION ASSOCIATION

AFBMA

ANTI-FRICTION BEARING MANUFACTURERS ASSOCIATION



AMERICAN SUPPLY AND MACHINERY MANUFACTURERS ASSOCIATION, INC.



BEARING SPECIALISTS ASSOCIATION



POWER TRANSMISSION DISTRIBUTORS ASSOCIATION



CONVEYOR MANUFACTURERS ASSOCIATION



DODGE Products are
Manufactured in
ISO 9002 Certified Plants

Prices and data indicated in this document are for your convenience and were correct at time of printing with the exception of clerical and/or printing errors. Possession of this document by any person or company is not to be construed as an offer to sell to him or to anyone else the goods listed herein at the prices stated.

ALL DATA AND PRICES ARE SUBJECT TO CHANGE WITHOUT NOTICE and shall be subject to those prices in effect at time of shipments. All published and quoted prices are based upon the application of, and all sales are expressly subject to, the Company's Standard Terms and Conditions of Sales are available upon request. This document supersedes all previously published catalog/pricing documents.

WARNING

The information provided for Product Interchange in this catalog is for use only as a general reference by persons qualified to recognize unreasonable selection options. Products suggested as substitutes may have dimensional, rating, pricing and other differences from products to be replaced. This selection method must be used in conjunction with the applicable product catalog which contains important precautions and other pertinent information.

In illustrations throughout this catalog, safety guards have been removed for photographic purposes.

© 2010 Baldor Electric Company

WARNING: Because of the possible danger to person(s) or property from accidents which may result from the improper use of products, it is important that correct procedures be followed: Products must be used in accordance with the engineering information specified in the catalog. Proper installation, maintenance and operation procedures must be observed. The instructions in the instruction manuals must be followed. Inspections should be made as necessary to assure safe operation under prevailing conditions. Proper guards and other suitable safety devices or procedures as may be described or as may be specified in safety codes should be provided, and are neither provided by Baldor Electric nor are the responsibility of Baldor Electric. This unit and its associated equipment must be installed, adjusted and maintained by qualified personnel who are familiar with the construction and operation of all equipment in the system and the potential hazards involved. When risk to persons or property may be involved, a holding device must be an integral part of the driven equipment beyond the speed reducer output shaft.



CONTENTS

DODGE GEARING CATALOG

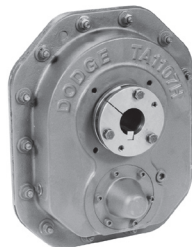
QUICK REFERENCE.....	REFERENCE GUIDE
TORQUE-ARM II.....	G1
TORQUE-ARM.....	G2
MAXUM.....	G3
TIGEAR-2.....	G4
ENGINEERING.....	G5
SYSTEM-1.....	G6

REFERENCE GUIDE

TORQUE-ARM II Shaft Mount Reducers

Page G1-1

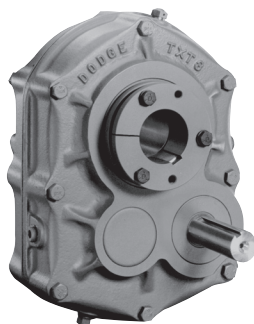
- 12 new reducer sizes with modular accessories
- All reducers can be shaft mounted, screw conveyor, vertical, and flange mounted
- Up through 400 HP
- Torque ratings through 500,000 lb-in
- Standard 5, 9, 15, 25, and up to 40:1 gear ratios
- Nearly 300:1 speed reduction with V-belt drives
- Bushing bores: 1" through 7"
- All-new, highly efficient helical gearing design
- Meets or exceeds AGMA standards, including 5000 hours L10 life and 25,000 average life
- New metal shield sealing system with excluder lip
- Smooth, rugged Class 30 cast-iron housings with pry slots
- New 36-month/18-month warranty protection



TXT TORQUE-ARM Shaft Mount Reducers

Page G2-1

- Exclusive twin tapered bushings
- Rugged cast-iron efficient
- Precision, high-quality helical gearing
- Reliable anti-friction bearings and seals
- Efficient splash lubrication
- Meets/exceeds AGMA standards
- 100% factory noise and leak tested



Capabilities & Mounting

- Standard ratios: 5, 9, 15, and 25:1
- Ratios up to 210:1 with V-belts
- Fractional to 700 HP
- Output speeds through 400 RPM
- Optional flange mount and vertical shaft application
- Available with hydraulic motor input

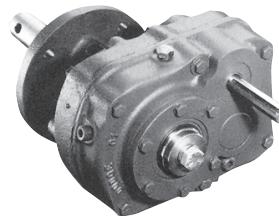
Accessories

- Motor mounts
- Bushing assemblies
- Backstops
- Auxiliary seal kits
- Belt guards
- Cooling fans
- Harsh duty accessories

SCXT Screw Conveyor Shaft Mount Reducers

Page G2-81

- Industry standard, high quality, drive mounting
- Adapter conforms to any CEMA trough ends
- Sealing system alternatives in standard adapter
 - Seals
 - Waste packing
 - Braided felt seal
- Rugged, high-thrust roller bearings
- Conforms to CEMA standards
- CEMA high-strength shafts, 2- and 3-bolt



Capabilities

- Fractional to 75 HP
- Standard ratios: 5, 9, 15, and 25:1
- 1-1/2" to 3-7/16" CEMA drive shafts
- Output speeds through 400 RPM
- Available with hydraulic motor input
- Vertical and incline mounting capability

Accessories

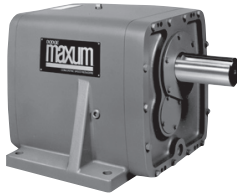
- Standard C and adjustable packing gland adapters
- Drive shafts - standard steel and stainless steel
- Motor mounts
- Belt guards
- Auxiliary seal kits
- Cooling fans

REFERENCE GUIDE

MAXUM Concentric Speed Reducers

Page G3-1

- Compact, power-dense design
- Precision-machined, cast-iron housing
- Highly efficient AGMA-rated helical gearing
- Heavy duty tapered roller bearing design
- Metallic double-lip seals—input/output
- Full line of accessories available
- SO 9002 certified



Features

- 8 sizes
- Fractional to 1600 HP
- Ratios: 2.25 to 194.6
- Up to 502,000 (in-lb) torque
- Mounting flexibility
 - Direct coupled
 - Top mount
 - Scoop mount
 - Heavy duty base plate

Accessories

- Backstops
- Slide base
- Cooling fans
- Auxiliary seal kits
- Heat exchanger cooling package
- Paint options
- XT filter breather
- XT enclosed breather
- XT Impro machine seal
- Coupling and belt guards
- Oil sight gauge
- Sensory devices

TIGEAR-2 Speed Reducers

Page G4-1

- Single-worm with quill, separate or 3-piece coupled input
- Totally enclosed, ventless design that is maintenance free
- 10 case sizes 1.33" to 4.75" center distances
- 5:1 to 60:1 reductions
- Solid or hollow output
- GRIP TIGHT bushing system available
- E-Z KLEEN design available
- Cast iron construction that is durable and corrosion resistant
- Factory filled with synthetic lubricant



REFERENCE GUIDE

Also See These Publications For Additional Gearing Information

Gearing Reference Guide

TORQUE-ARM II



MAGNAGEAR XTR REDUCERS CA1610

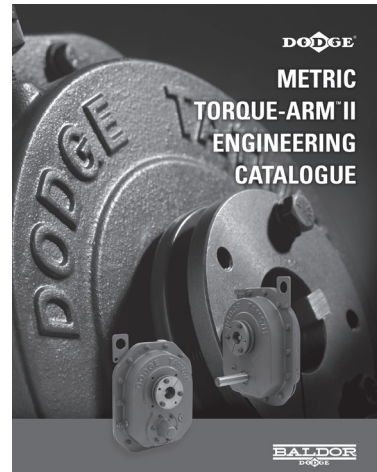
- 8 Case sizes
- Parallel and Right Angle configurations
- Base or Shaft mounted
- Solid or hollow shaft output
- Torque ratings up to 1,000,000 in/lbs

TORQUE-ARM



Motorized Torque Arm II CA1611

- Heavy Duty right angle gear reducer
- 3 Case sizes
- AGMA rated design
- Uses standard TAIL accessories
- Twin Tapered bushing system
- Shaft sizes up to 3-7/16"
- Torque Ratings up to 65,000 in-lb



Metric Torque Arm II ICA1602

- 12 case sizes
- Metric TAIL Reducers
- Metric Twin Taper Bushings
- Metric Modular accessories
- Shaft sizes up to 190mm
- Torque Ratings up to 50,000 N-M

TIGEAR-2



2009 Quantis Engineering Catalog CA1603

- In Line Helical (ILH)
- Right Angle Helical Bevel (RHB)
- Motorized Shaft Mount (MSM)
- Eight sizes (38 through 168)
- Four Input Configurations
- Torque Ratings up to 120k in-lbs
- High efficiency product

Engineering



2009 Custom Classics Catalog CA5001

- Master XL Right Angle
- Master XL Parallel
- Combination Tiger
- APG
- Reeves MotoDrive
- Ultima
- Junior & Senior Pulley



TORQUE-ARM II Shaft Mount Speed Reducers

Features/Benefits	G1-3
Specifications	G1-7
Nomenclature	G1-8
Easy Selection	G1-9
Selection	
Application and Class Numbers	G1-12
Class I Selections	G1-15
Class II Selections	G1-21
Class III Selection	G1-26
Selection/Dimensions	
TA0107L	
Taper Bushed Reducers and Accessories	G1-32
Screw Conveyor Drive Reducers and Accessories	G1-34
Motor Mount Dimensions	G1-36
TA1107H	
Taper Bushed Reducers and Accessories	G1-40
Screw Conveyor Drive Reducers and Accessories	G1-42
Motor Mount Dimensions	G1-44
TA2115H	
Taper Bushed Reducers and Accessories	G1-48
Screw Conveyor Drive Reducers and Accessories	G1-50
Motor Mount Dimensions	G-52
TA3203H	
Taper Bushed Reducers and Accessories	G1-56
Screw Conveyor Drive Reducers and Accessories	G1-58
Motor Mount Dimensions	G1-60
TA4207H	
Taper Bushed Reducers and Accessories	G1-64
Screw Conveyor Drive Reducers and Accessories	G1-66
Motor Mount Dimensions	G1-68
TA5215H	
Taper Bushed Reducers and Accessories	G1-72
Screw Conveyor Drive Reducers and Accessories	G1-74
Motor Mount Dimensions	G1-76
TA6307H	
Taper Bushed Reducers and Accessories	G1-80
Screw Conveyor Drive Reducers and Accessories	G1-82
Motor Mount Dimensions	G1-84

CONTENTS



TORQUE-ARM II Shaft Mount Speed Reducers

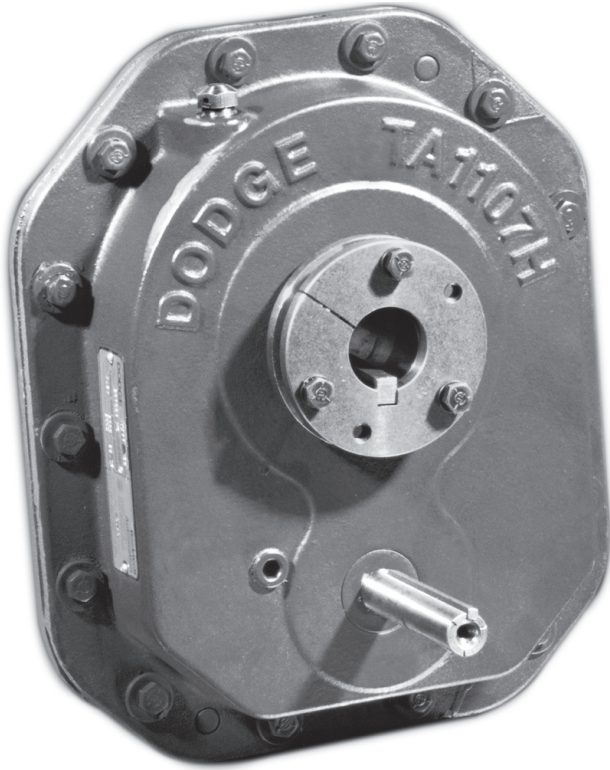
TA7315H	
Taper Bushed Reducers and Accessories	G1-88
Screw Conveyor Drive Reducers and Accessories	G1-90
Motor Mount Dimensions	G1-92
TA8407H	
Taper Bushed Reducers and Accessories	G1-96
Motor Mount Dimensions	G1-98
TA9415H	
Taper Bushed Reducers and Accessories	G1-102
Motor Mount Dimensions	G1-104
TA10507H	
Taper Bushed Reducers and Accessories	G1-106
Motor Mount Dimensions	G1-108
TA12608H	
Taper Bushed Reducers and Accessories	G1-110
Motor Mount Dimensions	G1-112
Belt Guard Dimensions - TA0107L - TA12608H	G1-114
Cooling Fan Dimensions - TA4207H - TA12608H	G1-118
Reducer Auxiliary Cooling Package	G1-118
Related Products	
XT Harsh Duty Accessories	G1-119
Maximum Bore Straight Bore TA II Reducers.	G1-121
Nominal Sheave Ratios	G1-122
Nominal Sheave Speeds	G1-126
Renewal Parts	G1-125
Engineering/Technical	
NEMA Motor and TA II Reducer Information, Backstop Lift-off Speed	G1-127
Maximum Input Speeds	G1-128
Thrust Capacity for Screw Conveyor Drives	G1-129
Lubrication Information.	G1-130
Viscosity Classification Equivalents	G1-135
Bearing Life As Function of Service Factor	G1-136
Part Number Index.	INDEX-1
Keyword Index.	INDEX-35



FEATURES/BENEFITS

TORQUE-ARM II Shaft Mount Speed Reducers

THE LEGACY CONTINUES



With 60 years of proven dependability and more than 2 million units in service throughout the world, DODGE TORQUE-ARM speed reducers are the standard of the industry. Now, that legacy continues with the newest generation in shaft mounted speed reducers - TORQUE-ARM II - offering patented innovations, new features, plus increased torque and horsepower ratings.



FEATURES/BENEFITS

TORQUE-ARM II Shaft Mount Speed Reducers

THE LEGACY CONTINUES

The DODGE TORQUE-ARM II surpasses all other reducers on the market because of its industry proven design and patented features.

This powerful line of shaft mounted speed reducers - in 12 case sizes through 700 horsepower (HP) - offers unparalleled torque ratings and is quickly becoming the new industry standard. Improved features include: an all-new backstop concept, a patented sealing system, a steel motor mount system, a state-of-the-art, totally modular design with an expanded ratio range to 40:1, and a patented twin tapered bushing system.

The increased ratings of the TORQUE-ARM II line are comparable to the next larger sized TXT reducer and are the result of the extended gear centers, wider gear faces, and optimized tooth geometry. The backstop design features centrifugal lift-off sprags for extended life and can be used with lubricants containing EP additives.

In addition, the TORQUE-ARM II line has a patented, premium sealing system that uses an HNBR oil seal protected by a metal excluder seal with rubbing lip. This harsh duty sealing system makes this reducer series a perfect fit for today's harsh duty industries such as aggregates, mining, cement, asphalt, mixing & milling and ethanol.

The steel motor mount adjusts to multiple center distances and mounts in shaft mount and screw conveyor positions.

Its patented twin tapered bushing system - in standard length, short shaft, and metric versions - offers all the features of our standard twin tapered TORQUE-ARM bushing design which are unique to DODGE. The patented insertable tapered wedge enables the optional extended tapered bushing kit to be applied for shorter shaft lengths, allowing the replacement of straight bore or single bushed reducers.

PRODUCT CAPABILITIES

Twelve reducer sizes with modular accessories

All reducers can be shaft mounted, screw conveyor, vertical and flange mounted

HP through 700, and torque ratings through 500,000 lb. in

Standard 5, 9, 15, 25 and up to 40:1 gear ratios

Nearly 300:1 speed reduction with V belt drives

Bushing bores 1 inch through 7 inches

All new highly efficient helical gearing design

Meets or exceeds AGMA standards including 5,000 hour L-10 bearing life, 25,000 average life

Smooth, rugged class 30 cast iron housings with pry slots

36 month - 18 month warranty protection

Complete Metric TA II product line available

TA II products in conformance to ATEX directive 94/9/EC guidelines

Premium HNBR oil sealing system and filter breather

Shaft mounted reducer with twin tapered bushing and motor mount



Screw conveyor drive with adapter, drive shaft and motor mount





FEATURES/BENEFITS

TORQUE-ARM II Shaft Mount Speed Reducers

THE LEGACY CONTINUES

The new-generation DODGE TORQUE-ARM II has been engineered throughout with features designed to improve performance, extend service life, and reduce or simplify maintenance.

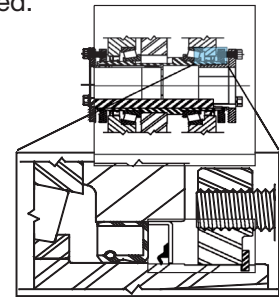
Three large pry slots make rebuilding easy.

Proven, AGMA-rated, case-carburized gear design ensures high efficiency. Has Class I starting load capability of 200%.

Totally modular construction, one reducer for shaft mount, screw conveyor, vertical and flange mount applications.

Premium HNBR oil seals are protected by a patented labyrinth metal shield and excluder lip auxiliary seal on all shafts.

No lubrication required.
Factory tested.



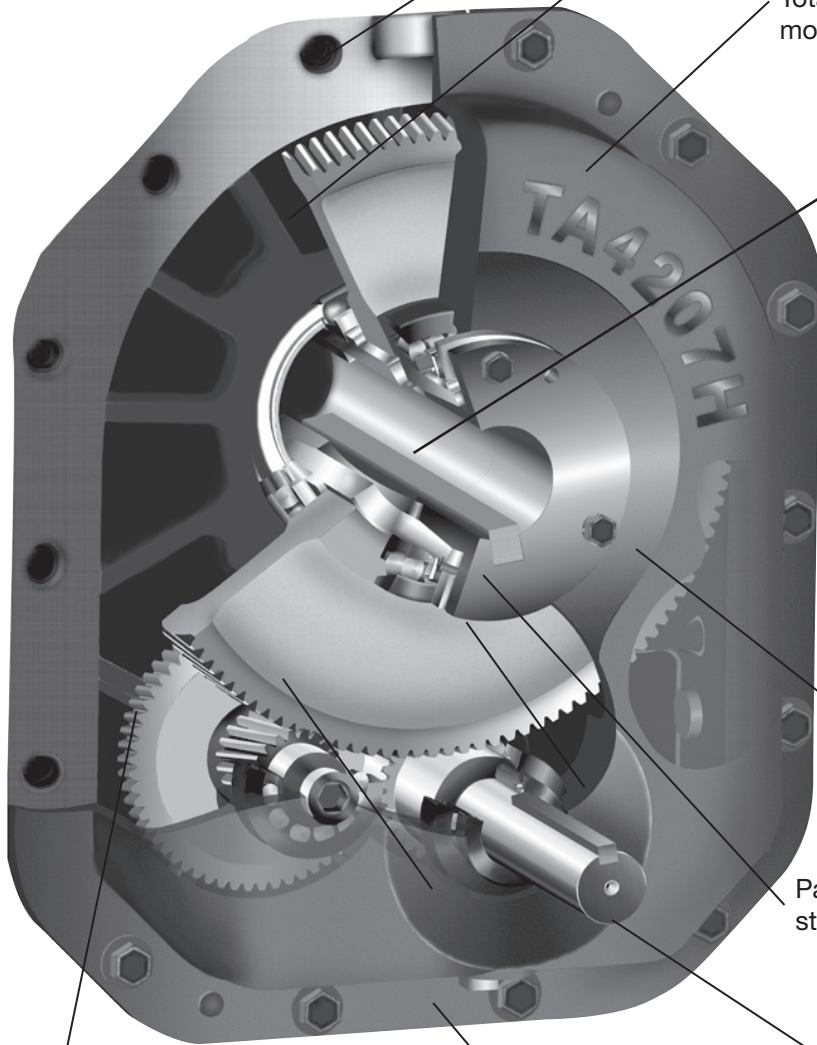
100% cast iron housing (Class 30) eliminates bearing cap leak paths and maximizes surface area for heat dissipation.

Patented twin tapered bushings are available in standard, patented short shaft, and metric versions.

Heavy duty tapered roller bearings provide 25,000 hours average life and 5,000 L-10 minimum hours life—even in the heaviest load conditions.

Extended gear centers and increased gear tooth contact provide dramatically increased torque and horsepower ratings.

Magnetic drain plug and baffled air breather are standard.





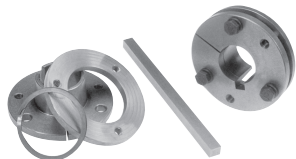
FEATURES/BENEFITS

TORQUE-ARM II Shaft Mount Speed Reducers

THE LEGACY CONTINUES

Shaft Mounted

Screw Conveyor



STANDARD TWIN TAPERED BUSHING SYSTEM is an easy on, easy off, no-wobble bushing system featuring a fully split, ductile iron 8° taper and reliable twin

support. Available in inch and metric bores. Increased bore capability in many sizes.

Our **SHORT-SHAFT TWIN-TAPERED BUSHING KITS** eliminate the need for full-length shafts. Constructed with ductile iron, it has all the features of our standard bushing system. Available in both inch and metric bores.



This **MODULAR MOTOR MOUNT** is attached and supported by two angle iron brackets with equally spaced holes, which align with the spacing of the cast slots of the gear case. This way, the motor mount can be adjusted up or down depending on the customer's requirements. It can also be mounted on the side of the reducer for screw conveyor applications.



This new-design **BACKSTOP** option helps prevent reverse rotation in high stop-start loads, and results in less wear and longer life. Its centrifugal throw-out design eliminates sprag sliding and reduces wear. It operates with standard and EP lubricants and requires no external lubrication.



Ruggedly constructed, the **TA Rod Kit** includes standard brackets, functions as a belt-tensioning device, and offers universal mounting options.

The CEMA BOLT-ON ADAPTER features double-lip seals on both surfaces. The adapter center is open for contaminant drop out for optimized sealing.



An optional **ADJUSTABLE PACKING KIT** bolts to the standard adapter and provides a proven sealing option for hostile environments. Packing can be retightened.



The **SCREW CONVEYOR DRIVE SHAFTS** are made from high alloy steel and engineered to CEMA dimensions. They are three-bolt drilled and their tapered fit ensures simple installation. The rugged locking plate (patent pending) also provides a mechanical shaft removal feature. #316 Stainless Steel drive shafts also available.



This complete **BOLT-ON BELT GUARD PACKAGE** requires no drilling or straps. It allows multiple height adjustments, and has an open metal inspection feature.



Other accessories include cooling fans and vertical breather kits.



SPECIFICATIONS

TORQUE-ARM II Shaft Mount Speed Reducers

General Specifications

TORQUE-ARM II Speed Reducers:

The speed reducer shall be either a belt driven or direct coupled enclosed shaft mount type unit with a single or double reduction ratio. The reducer shall mount directly on the driven shaft and utilize an adjustable torque arm that attaches from the gear case to the support structure or foundation. Optional all steel motor mount adjusts to various belt center distances and supports the motor.

The reducer housing shall be constructed of two piece corrosion resistant, class 30 gray iron. All housings shall be doweled and precision machined to assure accurate alignment for all gear sets. Pry slots are provided for ease of repair.

All gearing shall be of helical design, case carburized and precision finished to insure a high surface durability with a resilient tooth core for impact resistance and optimum service life. Gears shall be supported between bearings to maintain proper alignment of gear meshes, maximize load carrying

capabilities, and to eliminate overhung loads imposed on bearings. Design meets or exceed AGMA standards.

Reducer bearings shall be of the tapered roller type, meet or exceed AGMA standards, and provide a 25,000 hour average life, a 5,000 L-10 AGMA Class I standard.

All seals shall be of the lip, spring loaded type, made of Hydrogenated Nitrile Butadiene Rubber. A metal excluder seal with rubber lip is external to the standard oil seal.

Reducer installation shall be accomplished by using ductile iron, fully split, two bushing system. Reducer removal shall be accomplished by providing jack screw holes in the bushing flanges to mechanically remove the tapered assembly.

Backstops should be lift-off sprag type designed for use with standard and extreme pressure (EP) lubricants.

Screw Conveyor Drives:

The drive shall consist of a standard speed reducer; a cast iron, bolt on, four bolt mounting adapter with double lip seals on both ends, and optional bolt on adjustable packing kit.

A standard three-hole drive shaft will be machined from a high quality alloy steel.

The drive shall conform to Conveyor Equipment Manufacturers Association (CEMA) standards.

Optional all steel motor mount adjusts to various belt center distances and supports the motor.

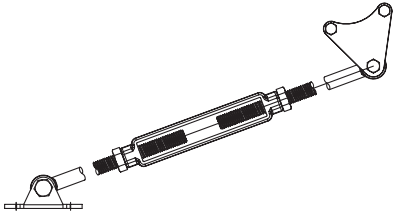


NOMENCLATURE

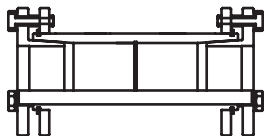
TORQUE-ARM II Shaft Mount Speed Reducers Basic TORQUE-ARM II Reducer TA1107H25

Shaft Mount Reducer Drive Accessories

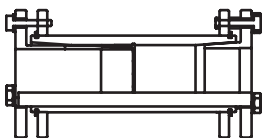
TA1107RA
TA1107 Rod Assembly



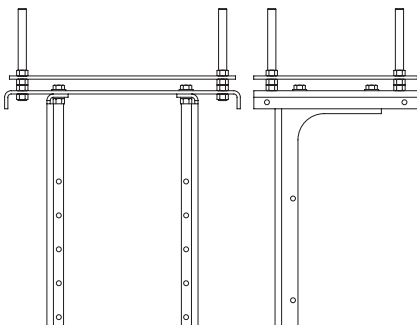
TA1107TB x 1-7/16
TA1107TB x 1-7/16 Twin Tapered Bushing Kit for Standard Length Driven Shaft



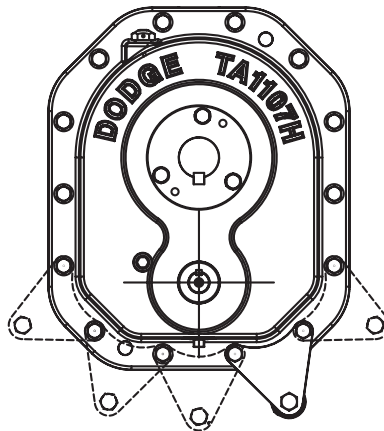
TA1107TBS x 1/7-16
TA1107TB x 1-7/16 Twin Tapered Bushing Kit for Short Driven Shaft



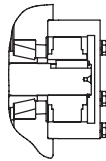
TA1107MM
TA1107MM Motor Mount Assembly



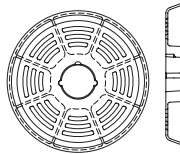
TA - TORQUE-ARM II Shaft Mount Reducer
1- Case Size 1
107 - AGMA Code reference & Traditional Bore Size
H - Heavy Duty Rating & Extended Bore Size
25 - Nominal Reducer Ratio



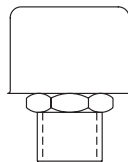
Other Accessories
TA1107BS
Backstop Assembly



TA4207CF
Cooling Fan Assembly

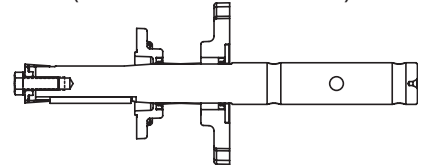


TA1-4 FB KIT
Filter Breather Kit

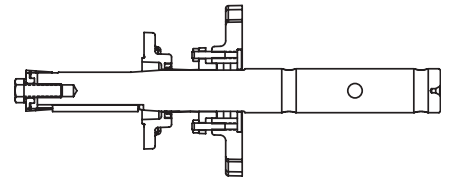


Screw Conveyor Drive Accessories

TA1107SCA
TA1107SCA Screw Conveyor Standard Adapter & Hardware Kit (Does not include shaft)



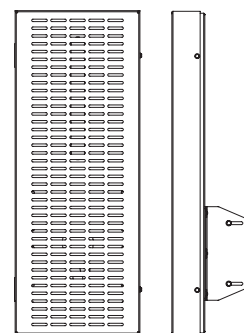
TA1107SCP Kit
TA1107SCP Screw Adjustable Packing Kit (Does not include shaft)



TA1107SCS x 1-7/16
TA1107SCS Screw Conveyor Drive Shaft x 1-7/17" Diameter



TA1107BG
TA1107BG Belt Guard





EASY SELECTION

TORQUE-ARM II Shaft Mount Speed Reducers

Easy Selection Method (For Electric Motors) For TORQUE-ARM II Reducer And Screw Conveyor Drive Reducer Applications

When to Use Easy Selection

The Easy Selection tables for TA II Shaft Mount reducers are for electric motor selections up to 400 horsepower with output speeds up to 400 RPM, using AGMA recommended application class numbers. For extreme shock or high energy loads which must be absorbed, as when stalling; for a power source other than an electric motor; or for extreme ambient temperatures or oversized equipment, consult DODGE Application Engineering, 864-284-5700.

How to Select

Step 1: Determine Class of Service - See Table 1 to determine Load Classification for applications under normal conditions. Find the type application and duty cycle that most closely matches your specific application.

Class 1 - Steady load not exceeding Motor HP rating and light shock loads during 10 hours a day. Moderate shock loads are allowable if operation is intermittent

For Class 1 applications, the maximum value of starting and momentary peak loads should not exceed 2 x Motor HP rating. If it exceeds this amount it should be divided by 2 and the result used in the selection table instead of the Motor HP rating.

Class 2 - Steady load not exceeding Motor HP rating for over 10 hours a day. Moderate shock loads are allowable during 10 hours a day.

For Class 2 applications, the maximum value of starting and momentary peak loads should not exceed 2.8 x Motor HP rating. If it exceeds this amount it should be divided by 2.8 and the result used in the selection table instead of the Motor HP rating.

Class 3 - Moderate shock loads for over 10 hours a day. Heavy shock loads are allowable during 10 hours a day.

For Class 3 applications, the maximum value of starting and momentary peak loads should not exceed 4 x Motor HP rating. If it exceeds this amount it should be divided by 4 and the result used in the selection table instead of the Motor HP rating.

Step 2: Determine Reducer Size - See the Easy Selection Tables, pages G1-12- G1-34. From Class I, II or III Table, find the reducer size for the application horsepower and output speed.

Note: For applications where fan cooling is acceptable, use the Easy Selection tables with an increased Class of Service number. Where more than one reducer selection is listed, the most economical ratio is generally listed first.

See Engineering/Technical pages for maximum input speed, output speed, and thrust capacity ratings for TA II reducers.

Step 3: Compare Hollow Shaft Bore with the size of the driven shaft. All DODGE TA II Taper Bushed reducers require bushings to mount reducer to driven shaft. Refer to reducer pages for available bushings. If the driven shaft is larger than the bore of the selected reducers, the shaft must be machined to the proper size, or select a larger reducer. Check driven shaft and key for strength.

Step 4: Check Dimensions - See Selection/Dimension pages for reducer dimensions, weights, part numbers and Torque-Arm rod mounting positions. See Engineering/ Technical pages for reducer mounting positions.

Step 5: Select a Belt Drive Arrangement - From the Sheave ratio information, pages G1-125 thru G1-126, select a sheave ratio for the belt drive. The reducer sheave P.D., Pitch Diameter, should not be smaller than the minimum sheave diameter shown in the selection tables. Note: Mount the sheave as close as possible to the reducer to minimize the effect of overhung load on the reducer.

See DODGE Drives Components catalog to select sheaves, bushings and belts for the appropriate belt drive.

Step- 6: Select Accessories - See Selection/Dimensions pages for description, dimensions, weights and part numbers for accessories for the TA II reducer selected:

Rod Assembly Bushing Kit Motor Mount Cooling Fan Backstop Assembly Belt Guard Screw Conveyor Adapter Filter Breather Drive Shaft Adjustable Packing Kit Vertical Breather Kit



EASY SELECTION

TORQUE-ARM II Shaft Mount Speed Reducers

Easy Selection Method (For Electric Motors) For TORQUE-ARM II Reducer And Screw Conveyor Drive Reducer Applications

NOTE: IMPORTANT INFORMATION

TA II reducers are stocked without a Torque-Arm Rod Assembly. Order a TA Rod Assembly as a separate item.

TA II reducers are shipped without oil. They must be lubricated at time of installation.

TA II reducers are suitable, from stock, for vertical or incline mounting and flange mounting; no reducer modification is required. See accessories for vertical breather kit.

TA II Backstop - For best life, select reducer gear ratios which exceed input shaft speeds required for backstop sprag lift-off. See page G1-129 for Backstop Lift-off speeds.

WARNING: Backstops are not recommended for applications involving energy absorption and shock or torque loads in excess of reducer ratings or on applications such as chair lift, amusement rides, etc., where the safety of persons or property is dependent on their function. On such applications, other safety devices should be provided.

Note: The TA II reducer has built-in auxiliary sealing which gives extra seal protection for all environments, at no additional cost to the user. See the Feature/Benefits pages for details.

Example: Easy Selection method for TORQUE-ARM II Reducers - Shaft Mount and Screw Conveyor Drive

Shaft Mount Reducer Application:

A 10 HP 1750 RPM motor is used to drive a belt conveyor moving sand at 70 RPM. The conveyor is uniformly loaded and operates 16 hours per day. The head pulley shaft diameter is 2-3/16". The user specifications call for a means of holding the conveyor from moving backwards.

Step 1: Determine Class of Service - From Table 1 on page G1-12 locate the appropriate application, "belt conveyors, uniformly loaded or fed" for over 10 hours per day. This load is classified as a Class II application.

Step 2: Determine Reducer Size - From Class II Selection, page G1-22, find the column for 10 HP and read down to 70 RPM. A reducer size TA3203H25 or TA3203H15 reducer is the correct selection. See Engineering/Technical pages to compare input and output speed and overhung load application requirements with reducer ratings.

Step 3: Compare Hollow Shaft Bore of a size TA3203H25 or TA3203H15 with the head pulley shaft diameter. Per page G1-60, 2-3/16" is the maximum bore available for this size of reducer. It will work in this application. Be sure to check the driven shaft and key for strength.

Step 4: Check Dimensions and Weights - See Selection/Dimension pages for reducer dimensions, weights, part numbers and other pertinent drive dimensions, as well as information on TORQUE-ARM rod mounting positions. See Engineering/Technical pages for information on reducer mounting positions.

Step 5: Select a Belt Drive - From the Sheave Ratio information, pages G1-125 thru G1-126, select a belt drive ratio for the conveyor speed of 70 RPM. Then select a belt drive, from the DODGE Drive components catalog, that meets the customer's needs (service factor, minimum number of belts) and preferences (belt style, bushing mounting style, etc.) The sheave diameters must not be smaller than the minimum diameters shown in the selection tables.

Step 6: Select Accessories - See Selection/Dimensions pages to pick out accessories for this application:

TA3203BS Backstop Assembly, to hold the conveyor from moving backwards

TA3203MM Motor Mount Assembly, for top mounting the motor to the reducer.

TA3203BG - Pos. B Belt Guard, to cover and protect the rotating belt drive.



EASY SELECTION

TORQUE-ARM II Shaft Mount Speed Reducers

Easy Selection Method (For Electric Motors) For TORQUE-ARM II Reducer And Screw Conveyor Drive Reducer Applications

Example: Easy Selection method for TORQUE-ARM II Reducers - Shaft Mount and Screw Conveyor Drive

Screw Conveyor Drive Reducer Application:

A 5 HP 1750 RPM motor is used to drive a heavy duty screw conveyor moving at 72 RPM. The conveyor runs 10 hours per day in a local feed mill conveying grain. The user needs a reducer drive compatible with a CEMA 12" diameter screw and a 2-7/16" diameter drive shaft.

Step 1: Determine Class of Service - From Table 1 page G1-12, locate the appropriate application, "conveyors, general purpose; screw conveyor - heavy duty, not uniformly loaded" for 3 to 10 hours per day. This load is classified as a Class II application.

Step 2: Determine Reducer Size - From Class II Selection Table, page G1-22, find the column for 5 HP and read down to 72 RPM. A TA1107H25 reducer is the correct selection. See Engineering/Technical pages to compare input and output speed and overhung load application requirements with reducer ratings.

Step 3: Check Dimensions - See Selection/Dimensions pages for reducer dimensions, weights, part numbers and other pertinent drive dimensions. See Engineering/Technical pages for information on reducer mounting positions.

Step 4: Select Drive Shaft to fit screw diameter. See Selection/Dimension page G1-40. Here we verify that a 2-7/16" diameter drive shaft is compatible with a 12" diameter screw.

Step 5: Select a Belt Drive - From the Sheave Ratio information, pages G1-125 thru G1-126, select a belt drive ratio for the screw conveyor speed of 72 RPM. Then select a belt drive, from the DODGE Drive Components catalog, that meets the customer's needs (service factor, minimum number of belts) and preferences (belt style, bushing mounting style, etc.) The sheave diameters must not be smaller than the minimum diameters shown in the selection tables.

Step 6: Select Accessories - See Selection/Dimensions pages to pick out screw conveyor accessories for this application:

TA1107SCA Adapter & Hardware Kit, to mount reducer to trough end of screw conveyor.

TA1107SCP Adjustable Packing Kit, to add additional sealing protection to reducer drive.

TA1107MM Motor Mount Assembly, for top mounting of motor to the reducer.

TA1107BG-Pos. C Belt Guard, to cover and protect the rotating belt drive.

TA1107SCS X 2-7/16" Drive Shaft, to connect the reducer to the screw conveyor.



SELECTION

TORQUE-ARM II Shaft Mount Speed Reducers

Table 1: Application Classification And Class Numbers

Application	Class Numbers		Application	Class Numbers	
	3 to 10 Hrs per Day	Over 10 Hrs per Day		3 to 10 Hrs per Day	Over 10 Hrs per Day
AGITATORS (Mixers)			EXTRUDERS (cont)		
Pure Liquids	I	II	Variable Speed Drive	III	III
Liquids and Solids	II	II	Fixed Speed Drive	III	III
Liquids-Variable Density	II	II	Rubber		
BLOWERS			Continuous Screw Operation	III	III
Centrifugal	I	II	Intermittent Screw Operation	III	III
Lobe	II	II	FANS		
Vane	II	II	Centrifugal	I	II
BREWING AND DISTILLING			Forced Draft	II	II
Bottling Machinery	I	II	Induced Draft	II	II
Brew Kettles-Continuous Duty	II	II	Industrial & Mine	II	II
Cookers-Continuous Duty	II	II	FEEDERS		
Mash Tubs-Continuous Duty	II	II	Apron	II	II
Scale Hopper-Frequent Starts	II	II	Belt	II	II
CAN FILLING MACHINES	I	II	Disc	I	II
CAR DUMPERS	III	III	Reciprocating	III	III
CAR PULLERS	II	II	Screw	II	II
CLARIFIERS	I	II	FOOD INDUSTRY		
CLASSIFIERS	II	II	Cereal Cooker	II	II
CLAY WORKING MACHINERY	III	III	Dough Mixer	II	II
Brick Press	III	III	Meat Grinders	II	II
Briquette Machine	II	II	Slicers		
Pug Mill			GENERATORS AND EXCITERS	II	II
COMPACTORS	★	★	HAMMER MILLS	III	III
COMPRESSORS			HOISTS	★	★
Centrifugal	I	II	LAUNDRY TUMBLERS	II	II
Lobe	II	II	LAUNDRY WASHERS	II	III
Reciprocating, Multi-Cylinder	II	III	LUMBER INDUSTRY		
Reciprocating, Single-Cylinder	III	III	Barkers		
CONVEYORS-GENERAL PURPOSE			Spindle Feed	II	II
Includes Apron, Assembly, Belt, Bucket, Chain, Flight, Oven and Screw			Main Drive	III	III
Uniformly Loaded or Fed	I	II	Conveyors		
Heavy Duty-Not Uniformly Fed	II	II	Burner	II	II
Severe Duty-Reciprocating or Shaker	III	III	Main or Heavy Duty	II	II
CRANES	★	★	Main Log	III	III
CRUSHER			Re-saw, Merry-Go-Round	II	II
Stone or Ore	III	III	Slab	III	III
DREDGES			Transfer	II	II
Cable Reels	II	II	Chains		
Conveyors	II	II	Floor	II	II
Cutter Head Drives	III	III	Green	II	III
Pumps	III	III	Cut-Off Saws		
Screen Drives	III	III	Chain	II	III
Stackers	II	II	Drag	II	III
Winches	II	II	Debarking Drums	III	III
ELEVATORS			Feeds		
Bucket	II	II	Edger	II	II
Centrifugal Discharge	I	II	Gang	III	III
Escalators	I	II	Trimmer	II	II
Freight	II	II	Log Deck	III	III
Gravity Discharge	I	II	Log Hauls-Incline-Well Type	III	III
EXTRUDERS			Log Tuning Devices	III	III
General	II	II	Planer Feed	II	II
Plastics			Planer Tilting Hoists	II	II
			Rolls-Live-off brg.- Roll Cases	III	III
			Sorting Table	II	II
			Triple Hoist	II	II

★ Consult DODGE for more information on class number



SELECTION

TORQUE-ARM II Shaft Mount Speed Reducers

Table 1: Application Classification And Class Numbers

Application	Class Numbers		Application	Class Numbers	
	3 to 10 Hrs per Day	Over 10 Hrs per Day		3 to 10 Hrs per Day	Over 10 Hrs per Day
LUMBER INDUSTRY (cont)			PAPER MILLS (cont)		
Transfers			Jordan	II	II
Chain	II	III	Kiln Drive	II	II
Craneway	II	III	Mt. Hope Roll	II	II
Tray Drives	II	II	Paper Rolls	II	II
Veneer Lathe Drives	II	II	Platter	II	II
METAL MILLS			Presses-Felt & Suction	III	III
Draw bench Carriage and Main Drive	II	II	Pulper	II	II
Runout Table			Pumps-Vacuum	II	II
Non-Reversing			Reel (Surface Type)		
Group Drives	III	II	Screens		
Individual Drives	III	III	Chip	II	II
Reversing	II	III	Rotary	II	II
Slab Pushers	III	II	Vibrating	III	III
Shears	II	III	Size Press	II	II
Wire Drawing	II	II	Thickener (AC Motor)	II	II
Wire Winding Machine	II	II	(DC Motor)	II	II
METAL STRIP PROCESSING MACHINERY			Washer (AC Motor)	II	II
Bridles	II	II	(DC Motor)	II	II
Coilers & Uncoilers	I	II	Wind and Unwind Stand	I	I
Edge Trimmers	II	II	Winders (Surface Type)	II	II
Flatteners	II	II	PLASTICS INDUSTRY-SECONDARY		
Loopers (Accumulators)	I	I	PROCESSING		
Pinch Rolls	II	II	Blow Molders	II	II
Scrap Choppers	II	II	Coating	II	II
Shears	III	III	Film	II	II
Slitters	II	II	Pipe	II	II
MILLS, ROTARY TYPE			Pre-Plasticizers	II	II
Ball & Rod			Rods	II	II
Spur Ring Gear	III	III	Sheet	II	II
Helical Ring Gear	II	II	Tubing		
Direct Connected	III	III	PULLERS-BARGE HAUL		
Cement Kilns	II	II	PUMPS		
Dryers & Coolers	II	II	Centrifugal	I	II
MIXERS, CEMENT			Proportioning	II	II
PAPER MILLS			Reciprocating		
Agitator (Mixer)	II	II	Single Acting, 3 or more cylinders	II	II
Agitator for Pure Liquors	II	II	Double Acting, 2 or more cylinders	II	II
Barking Drums	III	III	Rotary		
Barkers-Mechanical	III	III	Gear Type	I	II
Beater	II	II	Lobe	I	II
Breaker Stack	II	II	Vane	I	II
Chipper	III	III	RUBBER AND PLASTICS INDUSTRY		
Chip Feeder	II	II	Intensive Internal Mixers	III	III
Coating Rolls	II	II	Batch Mixers	II	II
Conveyors			Continuous Mixers		
Chip, Bark, Chemical	II		Mixing Mill		
Log (including Slab)	III		2 smooth rolls	II	II
Couch Rolls	II		1 or 2 corrugated rolls	III	III
Cutter	III		Batch Drop Mill - 2 smooth rolls	II	II
Cylinder Molds	II		Cracker Warmer - 2 roll, 1 corrugated roll	III	III
Embosses	II		Cracker-2 corrugated rolls	III	III
Extruder	II		Holding, Feed & Blend Mill-2 rolls	II	II
Fourdrinier Rolls (includes Lump			Refiner-2 rolls	II	II
breaker, dandy roll, wire	II	II	Calenders	II	II
turning, and return rolls)	II	II	SAND MULLER		
				II	II



SELECTION

TORQUE-ARM II Shaft Mount Speed Reducers

Table 1: Application Classification And Class Numbers

Application	Class Numbers	
	3 to 10 Hrs per Day	Over 10 Hrs per Day
SEWAGE DISPOSAL EQUIPMENT		
Bar Screens	II	II
Chemical Feeders	II	II
Dewatering Screens	II	II
Scum Breakers	II	II
Slow or Rapid Mixers	II	II
Sludge Collectors	II	II
Thickener	II	II
Vacuum Filters	II	II
SCREENS		
Air Washing	I	II
Rotary-Stone or Gravel	II	II
Traveling Water Intake	I	I
SCREW CONVEYORS		
Uniformly Loaded or Fed	I	II
Heavy Duty	II	II
SUGAR INDUSTRY		
Beet Slicer	III	III
Cane knives	II	II
Crushers	II	II
Mills (low speed end)	III	III

Application	Class Numbers	
	3 to 10 Hrs per Day	Over 10 Hrs per Day
TEXTILE INDUSTRY		
Batchers	II	II
Calenders	II	II
Cards	II	II
Dry Cans	II	II
Dyeing Machinery	II	II
Looms	II	II
Mangles	II	II
Nappers	II	II
Pads	II	II
Stashers	II	II
Soapers	II	II
Spinners	II	II
Tenter Frames	II	II
Washers	II	II
Winders	II	II

Gearing Reference Guide

TORQUE-ARM II

TORQUE-ARM

MAXUM

TIGEAR-2



SELECTION

TORQUE-ARM II Shaft Mount Speed Reducers Class I Selections * (SF = 1.0)

Motor HP	Output RPM	Reducer Selection	Min. Sheave Dia. P.D.	Cooling Method
1/4	4-50	TA0107L31	4.0	---
		TA0107L25	4.0	---
		TA0107L15	4.0	---
	51-80	TA0107L25	4.0	---
		TA0107L15	4.0	---
	81-89	TA0107L15	4.0	---
		TA0107L09	5.3	---
90-120	TA0107L15	4.0	---	
	TA0107L09	5.2	---	
	TA0107L05	9.2	---	
121-200	TA0107L09	5.0	---	
	TA0107L05	8.3	---	
201-400	TA0107L05	6.9	---	
1/3	4	TA1107H31	5.0	---
		TA1107H25	6.4	---
		TA1107H15	5.5	---
	5-50	TA0107L31	4.0	---
		TA0107L25	4.0	---
		TA0107L15	4.0	---
	51-80	TA0107L25	4.0	---
		TA0107L15	4.0	---
	81-89	TA0107L15	4.0	---
		TA0107L09	5.3	---
90-120	TA0107L15	4.0	---	
	TA0107L09	5.2	---	
	TA0107L05	9.2	---	
121-200	TA0107L09	5.0	---	
	TA0107L05	8.3	---	
201-400	TA0107L05	6.9	---	
1/2	4	TA2115H33	3.7	---
		TA2115H25	3.3	---
		TA2115H15	3.3	---
	5-7	TA1107H31	5.0	---
		TA1107H25	6.4	---
		TA1107H15	5.5	---
	8-50	TA0107L31	4.0	---
		TA0107L25	4.0	---
		TA0107L15	4.0	---
	51-80	TA0107L25	4.0	---
		TA0107L15	4.0	---
	81-89	TA0107L15	4.0	---
		TA0107L09	5.3	---
90-120	TA0107L15	4.0	---	
	TA0107L09	5.2	---	
	TA0107L05	9.2	---	
121-200	TA0107L09	5.0	---	
	TA0107L05	8.3	---	
	TA0107L05	8.3	---	
201-400	TA0107L05	6.9	---	

Motor HP	Output RPM	Reducer Selection	Min. Sheave Dia. P.D.	Cooling Method
3/4	4-6	TA2115H33	3.7	---
		TA2115H25	3.3	---
		TA2115H15	3.3	---
	7-11	TA1107H31	5.0	---
		TA1107H25	6.4	---
		TA1107H15	5.5	---
	12-50	TA0107L31	4.0	---
		TA0107L25	4.0	---
		TA0107L15	4.0	---
	51-80	TA0107L25	4.0	---
TA0107L15		4.0	---	
81-89	TA0107L15	4.0	---	
	TA0107L09	5.3	---	
90-120	TA0107L15	4.0	---	
	TA0107L09	5.2	---	
	TA0107L05	9.2	---	
121-200	TA0107L09	5.0	---	
	TA0107L05	8.3	---	
201-400	TA0107L05	6.9	---	
1	4-5	TA3203H32	4.6	---
		TA3203H25	4.6	---
		TA3203H15	4.6	---
	6-8	TA2115H33	3.7	---
		TA2115H25	3.3	---
		TA2115H15	3.3	---
	9-15	TA1107H31	5.0	---
		TA1107H25	6.4	---
		TA1107H15	5.5	---
	16-50	TA0107L31	4.0	---
TA0107L25		4.0	---	
TA0107L15		4.0	---	
51-80	TA0107L25	4.0	---	
	TA0107L15	4.0	---	
81-89	TA0107L15	4.0	---	
	TA0107L09	5.3	---	
90-120	TA0107L15	4.0	---	
	TA0107L09	5.2	---	
	TA0107L05	9.2	---	
121-200	TA0107L09	5.0	---	
	TA0107L05	8.3	---	
201-400	TA0107L05	6.9	---	
1-1/2	4-5	TA4207H40	5.0	---
		TA4207H25	5.5	---
		TA4207H15	8.1	---
	6-7	TA3203H32	4.6	---
		TA3203H25	4.6	---
		TA3203H15	4.6	---
	8-12	TA2115H33	3.7	---
		TA2115H25	3.3	---
		TA2115H15	3.3	---

Motor HP	Output RPM	Reducer Selection	Min. Sheave Dia. P.D.	Cooling Method
1-1/2 (cont)	13-23	TA1107H31	4.9	---
		TA1107H25	6.2	---
		TA1107H15	5.5	---
	24-50	TA0107L31	4.0	---
		TA0107L25	4.0	---
		TA0107L15	4.0	---
	51-80	TA0107L25	4.0	---
		TA0107L15	4.0	---
	81-89	TA0107L15	4.0	---
		TA0107L09	5.3	---
90-120	TA0107L15	4.0	---	
	TA0107L09	5.2	---	
	TA0107L05	9.2	---	
121-200	TA0107L09	5.0	---	
	TA0107L05	8.3	---	
201-400	TA0107L05	6.9	---	
2	4	TA5215H40	6.8	---
		TA5215H25	6.1	---
		TA5215H15	7.1	---
	5-6	TA4207H40	5.0	---
		TA4207H25	5.5	---
		TA4207H15	8.1	---
	7-10	TA3203H32	4.6	---
		TA3203H25	4.6	---
		TA3203H15	4.6	---
	11-16	TA2115H33	3.7	---
TA2115H25		3.3	---	
TA2115H15		3.3	---	
17	TA1107H31	4.8	---	
	TA2115H25	3.3	---	
	TA1107H15	5.4	---	
18-32	TA1107H31	4.8	---	
	TA1107H25	5.9	---	
	TA1107H15	5.3	---	
33-50	TA0107L31	4.0	---	
	TA0107L25	4.0	---	
	TA0107L15	4.0	---	
51-80	TA0107L25	4.0	---	
	TA0107L15	4.0	---	
81-89	TA0107L15	4.0	---	
	TA0107L09	5.3	---	
90-120	TA0107L15	4.0	---	
	TA0107L09	5.2	---	
	TA0107L05	9.2	---	
121-200	TA0107L09	5.0	---	
	TA0107L05	8.3	---	
201-400	TA0107L05	6.9	---	

★ See Page G1-132 for lubrication for 15 RPM and slower



SELECTION

TORQUE-ARM II Shaft Mount Speed Reducers

Class I Selections * (SF = 1.0)

Motor HP	Output RPM	Reducer Selection	Min. Sheave Dia. P.D.	Cooling Method
3	4-6	TA5215H40	6.8	---
		TA5215H25	6.1	---
		TA5215H15	7.1	---
	7-10	TA4207H40	5.0	---
		TA4207H25	5.5	---
		TA4207H15	8.1	---
	11-15	TA3203H32	4.6	---
		TA3203H25	4.6	---
		TA3203H15	4.6	---
	16-26	TA2115H33	3.7	---
		TA2115H25	3.3	---
		TA2115H15	3.2	---
	27-50	TA1107H31	4.6	---
		TA1107H25	5.7	---
		TA1107H15	5.2	---
	51-80	TA0107L25	4.0	---
		TA0107L15	4.0	---
	81-89	TA0107L15	4.0	---
TA0107L09		5.3	---	
90-120	TA0107L15	4.0	---	
	TA0107L09	5.2	---	
	TA0107L05	9.2	---	
121-200	TA0107L09	5.0	---	
	TA0107L05	8.3	---	
201-400	TA0107L05	6.9	---	
5	4	TA7315H40	6.2	---
		TA7315H25	6.2	---
		TA7315H15	6.2	---
	5-6	TA6307H40	6.3	---
		TA6307H25	6.3	---
		TA6307H15	6.4	---
	7-10	TA5215H40	6.8	---
		TA5215H25	6.1	---
		TA5215H15	7.1	---
	11-16	TA4207H40	5.0	---
		TA4207H25	5.5	---
		TA4207H15	8.1	---
	17-25	TA3203H32	4.4	---
		TA3203H25	4.5	---
		TA3203H15	4.5	---
	26	TA3203H32	4.2	---
		TA2115H25	3.2	---
		TA2115H15	3.1	---
27-46	TA2115H33	3.6	---	
	TA2115H25	3.2	---	
	TA2115H15	3.1	---	

Motor HP	Output RPM	Reducer Selection	Min. Sheave Dia. P.D.	Cooling Method
5 (cont)	47-50	TA1107H31	4.4	---
		TA1107H25	5.4	---
		TA1107H15	4.9	---
	51-80	TA1107H25	5.4	---
		TA1107H15	4.9	---
	81-89	TA1107H15	4.6	---
		TA1107H09	7.7	---
	90-120	TA0107L15	4.0	---
		TA0107L09	5.2	---
		TA0107L05	9.2	---
	121-200	TA0107L09	5.0	---
		TA0107L05	8.3	---
201-400	TA0107L05	6.9	---	
7-1/2	4	TA8407H40	6.2	---
		TA8407H25	6.2	---
		TA8407H15	6.2	---
	5-6	TA7315H40	6.2	---
		TA7315H25	6.2	---
	7-9	TA7315H15	6.2	---
		TA6307H40	6.3	---
	10-15	TA6307H25	6.3	---
		TA6307H15	6.4	---
		TA5215H40	6.8	---
	16-25	TA5215H25	6.1	---
		TA5215H15	7.1	---
		TA4207H40	4.8	---
	26-39	TA4207H25	5.4	---
		TA4207H15	7.9	---
		TA3203H32	4.2	---
	40-50	TA3203H25	4.4	---
		TA3203H15	4.4	---
TA2115H33		3.2	---	
51-72	TA2115H25	3.1	---	
	TA2115H15	3.2	---	
	TA2115H25	3.1	---	
73-80	TA2115H15	3.6	---	
	TA1107H25	5.2	---	
	TA1107H15	4.7	---	
81-89	TA1107H15	4.6	---	
	TA1107H09	7.7	---	
90-120	TA1107H15	4.6	---	
	TA1107H09	7.5	---	
	TA1107H05	12.5	---	
121-145	TA1107H09	7.1	---	
	TA1107H05	11.2	---	
146-163	TA0107L09	4.8	---	
	TA1107H05	10.3	---	
164-200	TA0107L09	4.7	---	
	TA0107L05	7.4	---	
201-400	TA0107L05	6.9	---	

Motor HP	Output RPM	Reducer Selection	Min. Sheave Dia. P.D.	Cooling Method
10	4	TA9415H40	8.0	---
		TA9415H25	8.0	---
		TA9415H15	10.2	---
	5	TA8407H40	6.2	---
		TA8407H25	6.2	---
		TA8407H15	6.2	---
	6-8	TA7315H40	6.2	---
		TA7315H25	6.2	---
		TA7315H15	6.2	---
	9-12	TA6307H40	6.3	---
		TA6307H25	6.3	---
		TA6307H15	6.4	---
	13-20	TA5215H40	6.7	---
		TA5215H25	6.0	---
		TA5215H15	7.0	---
	21-32	TA4207H40	4.7	---
		TA4207H25	5.2	---
		TA4207H15	7.7	---
34-50	TA3203H32	4.1	---	
	TA3203H25	4.3	---	
	TA3203H15	4.3	---	
51-55	TA3203H25	4.2	---	
	TA3203H15	4.2	---	
56-80	TA2115H25	3.1	---	
	TA2115H15	3.6	---	
81-89	TA2115H15	3.7	---	
	TA2115H09	6.1	---	
90-100	TA2115H15	3.7	---	
	TA2115H09	6.2	---	
	TA2115H05	6.5	---	
101	TA1107H15	4.5	---	
	TA2115H09	6.2	---	
	TA2115H05	6.5	---	
102-118	TA1107H15	4.5	---	
	TA1107H09	7.4	---	
	TA2115H05	6.6	---	
119-120	TA1107H15	4.4	---	
	TA1107H09	7.1	---	
	TA1107H05	11.2	---	
121-200	TA1107H09	7.1	---	
	TA1107H05	11.2	---	
201-276	TA1107H05	9.1	---	
	TA0107L05	5.8	---	
15	4	TA10507H40	8.5	---
		TA10507H25	8.5	---
		TA10507H15	10.8	---
	5-6	TA9415H40	8.0	---
		TA9415H25	8.0	---
		TA9415H15	10.2	---

* See Page G1-132 for lubrication for 15 RPM and slower



SELECTION

TORQUE-ARM II Shaft Mount Speed Reducers Class I Selections * (SF = 1.0)

Motor HP	Output RPM	Reducer Selection	Min. Sheave Dia. P.D.	Cooling Method
15 (cont)	7-8	TA8407H40	6.2	---
		TA8407H25	6.2	---
		TA8407H15	6.2	---
	9-13	TA7315H40	6.2	---
		TA7315H25	6.2	---
		TA7315H15	6.2	---
	14-18	TA6307H40	6.3	---
		TA6307H25	6.3	---
		TA6307H15	6.3	---
	19-32	TA5215H40	6.5	---
		TA5215H25	5.9	---
		TA5215H15	6.8	---
	33-50	TA4207H40	4.5	---
		TA4207H25	5.0	---
		TA4207H15	7.3	---
	51-53	TA4207H25	4.7	---
		TA4207H15	6.8	---
	54-80	TA3203H25	4.1	---
TA3203H15		4.2	---	
81-89	TA3203H15	4.0	---	
	TA3203H09	5.2	---	
90-92	TA3203H15	4.0	---	
	TA3203H09	5.3	---	
	TA3203H05	11.0	---	
93-120	TA2115H15	3.7	---	
	TA2115H09	6.2	---	
	TA3203H05	10.4	---	
121-143	TA2115H09	6.1	---	
	TA3203H05	7.7	---	
144-200	TA2115H09	6.5	---	
	TA2115H05	6.4	---	
201-400	TA2115H05	6.0	---	
20	4	TA12608H40	17.2	---
		TA12608H25	9.5	---
		TA12608H15	13.7	---
	5-6	TA10507H40	8.5	---
		TA10507H25	8.5	---
		TA10507H15	10.8	---
	7-8	TA9415H40	8.0	---
		TA9415H25	8.0	---
		TA9415H15	10.2	---
	9-11	TA8407H40	6.2	---
		TA8407H25	6.2	---
		TA8407H15	6.2	---
12-18	TA7315H40	6.2	---	
	TA7315H25	6.2	---	
	TA7315H15	6.2	---	

Motor HP	Output RPM	Reducer Selection	Min. Sheave Dia. P.D.	Cooling Method
20 (cont)	19-25	TA6307H40	6.3	---
		TA6307H25	6.3	---
		TA6307H15	6.3	---
	26-45	TA5215H40	6.4	---
		TA5215H25	5.7	---
		TA5215H15	6.7	---
	46-50	TA4207H40	4.3	---
		TA4207H25	4.7	---
		TA4207H15	7.0	---
	51-75	TA4207H25	4.7	---
		TA4207H15	6.8	---
	76-80	TA4207H25	4.4	---
		TA3203H15	4.1	---
	81-89	TA3203H15	4.0	---
		TA3203H09	5.2	---
	90-103	TA3203H15	4.0	---
		TA3203H09	5.4	---
		TA4207H05	9.9	---
	104-105	TA4207H15	6.1	---
		TA3203H09	5.4	---
		TA4207H05	9.6	---
	106-120	TA4207H15	6.1	---
		TA3203H09	5.6	---
		TA3203H05	8.6	---
121-141	TA3203H09	5.7	---	
	TA3203H05	7.7	---	
142-200	TA2115H09	6.5	---	
	TA3203H05	7.2	---	
201-238	TA3203H05	7.0	---	
239-400	TA2115H05	5.7	---	
4	TDT1425 †	15.0	---	
5	TA12608H40	17.2	---	
	TA12608H25	9.5	---	
	TA12608H15	13.7	---	
6-7	TA10507H40	8.5	---	
	TA10507H25	8.5	---	
	TA10507H15	10.8	---	
8-10	TA9415H40	8.0	---	
	TA9415H25	8.0	---	
TA9415H15	10.2	---		
11-15	TA8407H40	6.2	---	
	TA8407H25	6.2	---	
	TA8407H15	6.2	---	
16-23	TA7315H40	6.2	---	
	TA7315H25	6.2	---	
	TA7315H15	6.2	---	
24-32	TA6307H40	6.3	---	
	TA6307H25	6.3	---	
	TA6307H15	6.3	---	

Motor HP	Output RPM	Reducer Selection	Min. Sheave Dia. P.D.	Cooling Method
25 (cont)	33-50	TA5215H40	6.3	---
		TA5215H25	5.6	---
		TA5215H15	6.5	---
	51-58	TA5215H25	5.4	---
		TA5215H15	6.3	---
	59-80	TA4207H25	4.6	---
		TA4207H15	6.7	---
	81-89	TA4207H15	6.4	---
		TA4207H09	10.1	---
	90-110	TA4207H15	6.3	---
		TA4207H09	9.9	---
		TA5215H05	13.9	---
	111-120	TA4207H15	6.0	---
		TA4207H09	9.4	---
	TA4207H05	9.5	---	
		121-163	TA4207H09	9.3
	TA4207H05		9.3	---
	164-200	TA4207H09	8.5	---
TA3203H05		7.0	---	
201-400	TA3203H05	7.0	---	
30	4-5	TDT1425 †	15.0	---
	6	TA12608H40	17.2	---
		TA12608H25	9.5	---
		TA12608H15	13.7	---
	7-9	TA10507H40	8.5	---
		TA10507H25	8.5	---
	TA10507H15	10.8	---	
	10-12	TA9415H40	8.0	---
		TA9415H25	8.0	---
	TA9415H15	10.3	---	
	13-18	TA8407H40	6.2	---
		TA8407H25	6.2	---
TA8407H15		6.2	---	
19-28	TA7315H40	6.2	---	
	TA7315H25	6.2	---	
	TA7315H15	6.2	---	
29-30	TA6307H40	6.3	---	
	TA6307H25	6.3	---	
	TA6307H15	6.3	---	
31-39	TA6307H40	6.2	---	
	TA6307H25	6.2	---	
	TA6307H15	6.3	---	
40-50	TA5215H40	6.2	---	
	TA5215H25	5.5	---	
	TA5215H15	6.4	---	
51-72	TA5215H25	5.4	---	
	TA5215H15	6.3	---	
73-80	TA4207H25	4.4	---	
	TA4207H15	6.5	---	

★ See Page G1-132 for lubrication for 15 RPM and slower

† See page G2-68 and G2-69 for information on TDT1425 and TDT1530 Reducers



SELECTION

TORQUE-ARM II Shaft Mount Speed Reducers Class I Selections * (SF = 1.0)

Motor HP	Output RPM	Reducer Selection	Min. Sheave Dia. P.D.	Cooling Method
30 (cont)	81-89	TA4207H15	6.4	---
		TA4207H09	10.1	---
	90-120	TA4207H15	6.3	---
		TA4207H09	9.9	---
	121-132	TA5215H05	13.9	---
		TA4207H09	9.3	---
	133-200	TA5215H05	11.8	---
TA4207H09		9.1	---	
40	4	TA4207H05	9.2	---
		TDT1530 †	15.0	---
	5-6	TDT1425 †	15.0	---
		TA12608H40	17.2	---
	7	TDT1425 †	15.0	---
		TA12608H40	17.2	---
		TA12608H25	9.5	---
	8	TA12608H15	13.7	---
		TA10507H40	8.5	---
		TA10507H25	8.5	---
9-12	TA10507H15	10.8	---	
	TA9415H40	8.0	---	
	TA9415H25	8.0	---	
	TA9415H15	10.5	---	
	TA8407H40	6.2	---	
13-17	TA8407H25	6.2	---	
	TA8407H15	6.2	---	
	TA7315H40	6.2	---	
18-25	TA7315H25	6.2	---	
	TA7315H15	6.2	---	
	TA6307H40	6.2	---	
26-38	TA6307H25	6.2	---	
	TA6307H15	6.2	---	
	TA6307H25	6.2	---	
39-50	TA6307H15	6.2	---	
	TA6307H25	6.2	---	
51-54	TA6307H15	6.2	---	
	TA6307H25	6.2	---	
55-80	TA5215H25	5.4	---	
	TA5215H15	6.3	---	
81-89	TA5215H15	6.0	---	
	TA5215H09	9.1	---	
90-102	TA5215H15	5.7	---	
	TA5215H09	8.9	---	
	TA5215H05	13.9	---	

Motor HP	Output RPM	Reducer Selection	Min. Sheave Dia. P.D.	Cooling Method
40 (cont)	103-107	TA4207H15	6.1	---
		TA5215H09	8.6	---
		TA5215H05	12.9	---
	108-120	TA4207H15	6.0	---
		TA4207H09	9.5	---
		TA5215H05	12.6	---
	121-182	TA4207H09	9.3	---
		TA5215H05	11.8	---
	183-185	TA4207H09	8.1	---
		TA4207H05	9.1	---
186-200	TA4207H09	8.0	---	
	TA4207H05	9.2	---	
50	201-400	TA4207H05	9.8	---
		TDT1530 †	15.0	---
	4-5	TDT1425 †	15.0	---
		TA12608H40	17.2	---
	6-8	TA12608H25	9.5	---
		TA12608H15	13.7	---
		TA10507H40	8.5	---
	9-10	TA10507H25	8.5	---
		TA10507H15	10.8	---
		TA9415H40	8.0	Fan
11-15	TA9415H25	8.0	---	
	TA9415H15	10.5	---	
	TA8407H40	6.2	Fan	
16-17	TA8407H25	6.2	---	
	TA8407H15	6.2	---	
	TA9415H40	8.0	---	
18-21	TA9415H25	8.0	---	
	TA9415H15	10.7	---	
	TA8407H40	6.2	Fan	
22-27	TA8407H25	6.2	---	
	TA8407H15	6.2	---	
	TA8407H40	6.2	---	
28-32	TA8407H25	6.2	---	
	TA8407H15	6.2	---	
	TA7315H40	6.2	---	
33-49	TA7315H25	6.2	---	
	TA7315H15	6.2	---	
	TA6307H40	6.2	Fan	
50	TA6307H25	6.2	---	
	TA6307H15	6.2	---	
	TA6307H25	6.2	---	
51-69	TA6307H15	6.2	---	
	TA6307H25	6.2	---	
	TA5215H25	5.3	Fan	
70-80	TA5215H15	6.1	---	
	TA5215H15	6.0	---	
81-89	TA5215H09	9.1	---	
	TA5215H15	5.7	---	
90-93	TA5215H09	8.9	---	
	TA6307H05	15.1	---	

Motor HP	Output RPM	Reducer Selection	Min. Sheave Dia. P.D.	Cooling Method
50 (cont)	94-120	TA5215H15	5.6	---
		TA5215H09	8.8	---
		TA5215H05	13.6	---
	121-144	TA5215H09	8.3	---
		TA5215H05	11.8	---
	145-200	TA4207H09	8.9	---
		TA5215H05	11.2	---
	201-242	TA5215H05	9.9	---
		TA4207H05	9.7	---
	60	4-6	TDT1530 †	15.0
TDT1425 †			15.0	---
7-10		TA12608H40	17.2	---
		TA12608H25	9.5	---
		TA12608H15	13.9	---
11-13		TA10507H40	8.5	---
		TA10507H25	8.5	---
		TA10507H15	10.8	---
14-18		TA9415H40	8.0	Fan
		TA9415H25	8.0	Fan
	TA9415H15	10.7	---	
19	TA9415H40	8.0	Fan	
	TA9415H25	8.0	---	
	TA9415H15	10.8	---	
20-26	TA8407H40	6.2	Fan	
	TA8407H25	6.2	Fan	
	TA8407H15	6.2	---	
27-30	TA8407H40	6.2	Fan	
	TA8407H25	6.2	---	
	TA8407H15	6.2	---	
31-39	TA8407H40	6.2	Fan	
	TA8407H25	6.2	---	
	TA8407H15	6.2	---	
40-50	TA7315H40	6.2	Fan	
	TA7315H25	6.2	---	
	TA7315H15	6.2	---	
51-60	TA7315H25	6.2	---	
	TA7315H15	6.2	---	
	TA6307H25	6.2	---	
61-80	TA6307H15	6.2	---	
	TA6307H15	6.3	---	
81-88	TA6307H09	9.9	---	
	TA5215H15	5.7	Fan	
89	TA6307H09	9.9	---	
	TA5215H15	5.7	---	
90-93	TA6307H09	10.1	---	
	TA6307H05	15.1	---	
94-115	TA5215H15	5.6	---	
	TA5215H09	8.8	---	
116-120	TA5215H15	5.1	Fan	
	TA5215H09	8.4	---	
121-131	TA5215H09	8.3	---	
	TA6307H05	14.5	---	

* See Page G1-132 for lubrication for 15 RPM and slower

† See page G2-68 and G2-69 for information on TDT1425 and TDT1530 Reducers



SELECTION

TORQUE-ARM II Shaft Mount Speed Reducers Class I Selections * (SF = 1.0)

Motor HP	Output RPM	Reducer Selection	Min. Sheave Dia. P.D.	Cooling Method	
60 (cont)	132-200	TA5215H09	7.9	---	
		TA5215H05	11.4	---	
	201-400	TA5215H05	9.9	---	
75	5-8	TDT1530 †	15.0	---	
	9-13	TDT1425 †	15.0	---	
	14-16		TA12608H40	17.1	---
			TA12608H25	9.5	---
			TA12608H15	14.2	---
	17-23		TA10507H40	8.5	---
			TA10507H25	8.5	---
			TA10507H15	10.8	---
	24-33		TA9415H40	8.0	Fan
			TA9415H25	8.0	Fan
			TA9415H15	10.8	---
	34-37		TA8407H40	6.2	Fan
			TA8407H25	6.2	Fan
			TA8407H15	6.2	Fan
	38-49		TA8407H40	6.2	Fan
			TA8407H25	6.2	Fan
			TA8407H15	6.2	---
	50		TA7315H40	6.2	Fan
TA7315H25			6.2	Fan	
TA7315H15			6.2	---	
51-77		TA7315H25	6.2	Fan	
		TA7315H15	6.2	---	
		TA7315H15	6.2	---	
78-80		TA6307H25	6.2	Fan	
		TA6307H15	6.2	Fan	
81-89		TA6307H15	6.3	Fan	
		TA6307H09	9.9	Fan	
90-101		TA6307H15	6.5	Fan	
		TA6307H09	10.3	Fan	
		TA7315H05	14.8	---	
102-120		TA6307H15	6.7	Fan	
		TA6307H09	10.8	Fan	
		TA6307H05	15.1	---	
121-129		TA6307H09	10.8	Fan	
		TA6307H05	14.5	---	
130-196		TA5215H09	7.9	---	
		TA6307H05	14.4	---	
197-200		TA5215H09	5.9	Fan	
		TA6307H05	13.9	---	
201-208		TA6307H05	13.8	---	
209-400		TA5215H05	9.7	---	

Motor HP	Output RPM	Reducer Selection	Min. Sheave Dia. P.D.	Cooling Method	
100	6-11	TDT1530 †	15.0	---	
		TDT1425 †	15.0	---	
	18-19		TA12608H40	17.1	Fan
			TA12608H25	9.5	---
	20-22		TA12608H40	17.1	---
			TA12608H25	9.5	---
			TA12608H15	14.6	---
	23-26		TA10507H40	8.5	Fan
			TA10507H25	8.5	Fan
			TA10507H15	10.7	---
	27-31		TA10507H40	8.5	Fan
			TA10507H25	8.5	---
			TA10507H15	10.6	---
	32-46		TA9415H40	8.0	Fan
			TA9415H25	8.0	Fan
			TA9415H15	10.8	Fan
	47-50		TA8407H40	6.2	Fan
			TA8407H25	6.2	Fan
			TA8407H15	6.2	Fan
	51-68		TA8407H25	6.2	Fan
			TA8407H15	7.0	Fan
			TA7315H25	6.2	Fan
	69-80		TA7315H15	6.2	Fan
			TA7315H15	6.2	Fan
81-110		TA7315H15	6.2	Fan	
		TA7315H09	8.5	Fan	
111		TA6307H15	6.6	Fan	
		TA6307H09	10.5	Fan	
112-120		TA6307H15	6.7	Fan	
		TA6307H09	10.8	Fan	
		TA7315H05	13.2	---	
121-157		TA6307H09	10.9	Fan	
		TA7315H05	12.8	---	
158-200		TA6307H09	10.9	Fan	
		TA6307H05	14.2	---	
201-400		TA6307H05	13.8	---	
125	8-14	TDT1530 †	15.0	---	
	15-21	TDT1425 †	15.0	---	
	22-26		TA12608H40	17.1	Fan
			TA12608H25	9.5	Fan
			TA12608H15	14.8	Fan
	27-28		TA12608H40	17.1	Fan
			TA12608H25	9.5	Fan
			TA12608H15	14.9	---
	29		TA10507H40	8.5	Fan
			TA12608H25	9.5	Fan
			TA12608H15	14.9	---
	30-40		TA10507H40	8.5	Fan
			TA10507H25	8.5	Fan
			TA10507H15	10.8	Fan

Motor HP	Output RPM	Reducer Selection	Min. Sheave Dia. P.D.	Cooling Method	
125 (cont)	41-50	TA9415H40	8.0	P&C	
		TA9415H25	8.0	P&C	
		TA9415H15	10.8	Fan	
	51-59		TA9415H25	8.0	P&C
			TA9415H15	10.8	Fan
	60-80		TA8407H25	6.2	P&C
			TA8407H15	7.5	Fan
	81-88		TA8407H15	7.8	Fan
			TA7315H15	6.2	Fan
	89-90		TA7315H15	6.2	Fan
			TA7315H09	8.5	Fan
	91-120		TA7315H15	6.2	Fan
			TA7315H09	8.6	Fan
	121-149		TA7315H09	8.6	Fan
	150-160		TA6307H09	10.9	Fan
	161-200		TA6307H09	10.8	Fan
			TA7315H05	11.9	---
	201-225		TA7315H05	11.7	---
226-368		TA6307H05	12.8	---	
369-400		TA6307H05	10.9	Fan	
150	9-17	TDT1530 †	15.0	---	
	18-26	TDT1425 †	15.0	---	
	27-34		TA12608H40	17.1	P&C
			TA12608H25	9.5	Fan
			TA12608H15	15.1	Fan
	35-36		TA10507H40	8.5	P&C
			TA12608H25	9.5	Fan
			TA12608H15	15.2	Fan
			TA10507H40	8.5	P&C
	37-49		TA10507H25	8.5	Fan
			TA10507H15	11.3	---
	50		TA9415H40	8.0	P&C
			TA9415H25	8.0	P&C
			TA9415H15	10.8	Fan
	51-72		TA9415H25	8.0	P&C
			TA9415H15	10.8	Fan
	73-80		TA8407H25	6.2	P&C
			TA8407H15	7.5	Fan
81-112		TA8407H15	8.6	Fan	
113		TA7315H15	6.2	Fan	
114-120		TA7315H15	6.2	Fan	
		TA7315H09	8.5	Fan	
121-200		TA7315H09	8.6	Fan	
213-400		TA7315H05	11.5	---	
200	12-23	TDT1530 †	15.0	---	
	24-35	TDT1425 †	15.0	---	
	36-47		TA12608H40	17.1	P&C
			TA12608H25	9.5	P&C
			TA12608H15	15.6	Fan
	48-50		TA10507H40	8.5	P&C
			TA12608H25	9.5	P&C
			TA12608H15	15.7	Fan

* See Page G1-132 for lubrication for 15 RPM and slower

† See page G2-68 and G2-69 for information on TDT1425 and TDT1530 Reducers

P&C (Pump & Coolers) - Use the DODGE Speed Reducer auxiliary cooling package, part number 014148



SELECTION

TORQUE-ARM II Shaft Mount Speed Reducers

Class I Selections * (SF = 1.0)

Motor HP	Output RPM	Reducer Selection	Min. Sheave Dia. P.D.	Cooling Method
200 (cont)	51	TA12608H25	9.6	P&C
		TA12608H15	15.7	Fan
	52-67	TA10507H25	8.8	P&C
		TA10507H15	12.4	Fan
	68	TA9415H25	8.0	P&C
		TA10507H15	12.5	Fan
	69-80	TA9415H25	8.0	P&C
		TA9415H15	10.7	P&C
	81-100	TA9415H15	10.5	P&C
	101-120	TA8407H15	8.7	P&C
172-200	TA7315H09	8.4	P&C	
331-400	TA7315H05	10.8	Fan	
250	16-30	TDT1530 †	15.0	---
	31-43	TDT1425 †	15.0	Fan
	44-50	TA12608H40	17.1	P&C
		TA12608H25	9.5	P&C
		TA12608H15	15.7	P&C
	51-67	TA12608H25	10.4	P&C
		TA12608H15	16.1	P&C
	68-75	TA10507H25	9.2	P&C
		TA10507H15	13.0	P&C
	76-80	TA10507H25	9.4	P&C
TA10507H15		13.4	P&C	
81-90	TA10507H15	13.6	P&C	
91-120	TA9415H15	10.3	P&C	
300	19-36	TDT1530 †	15.0	---
	37-52	TDT1425 †	15.0	P&C
	53-80	TA12608H25	10.7	P&C
		TA12608H15	16.1	P&C
	81-83	TA12608H15	15.6	P&C
	84-115	TA10507H15	13.6	P&C
116-120	TA9415H15	10.2	P&C	
350	23-42	TDT1530 †	15.0	Fan
	43-61	TDT1425 †	15.0	P&C
	62-80	TA12608H25	10.7	P&C
		TA12608H15	16.1	P&C
	81-103	TA12608H15	15.6	P&C
104-120	TA10507H15	13.5	P&C	
400	27-50	TDT1530 †	15.0	Fan
	51-70	TDT1425 †	15.0	P&C
	71-80	TA12608H25	10.7	P&C
		TA12608H15	16.1	P&C
81-120	TA12608H15	15.6	P&C	
450	30-31	TDT1530 †	15.0	P&C
	32-57	TDT1530 †	15.0	Fan
	59-75	TDT1425 †	15.0	P&C
	84-120	TA12608H15	15.5	P&C
500	34-57	TDT1530 †	15.0	P&C
	66-75	TDT1425 †	15.0	P&C
	97-120	TA12608H15	15.1	P&C

Motor HP	Output RPM	Reducer Selection	Min. Sheave Dia. P.D.	Cooling Method
600	41-57	TDT1530 †	15.0	P&C
700	50-57	TDT1530 †	15.0	P&C

* See Page G1-132 for lubrication for 15 RPM and slower

† See page G2-68 and G2-69 for information on TDT1425 and TDT1530 Reducers

P&C (Pump & Coolers) - Use the DODGE Speed Reducer auxiliary cooling package, part number 014148

SELECTION



TORQUE-ARM II Shaft Mount Speed Reducers Class II Selections * (SF = 1.4)

Motor HP	Output RPM	Reducer Selection	Min. Sheave Dia. P.D.	Cooling Method
1/4	4-5	TA1107H31	5.0	---
		TA1107H25	6.4	---
		TA1107H15	5.5	---
	6-50	TA0107L31	4.0	---
		TA0107L25	4.0	---
		TA0107L15	4.0	---
	51-80	TA0107L25	4.0	---
		TA0107L15	4.0	---
	81-89	TA0107L15	4.0	---
		TA0107L09	5.3	---
	90-120	TA0107L15	4.0	---
		TA0107L09	5.2	---
	121-200	TA0107L05	9.2	---
		TA0107L09	5.0	---
201-400	TA0107L05	8.3	---	
	TA0107L05	6.9	---	
1/3	4-6	TA1107H31	5.0	---
		TA1107H25	6.4	---
		TA1107H15	5.5	---
	7-50	TA0107L31	4.0	---
		TA0107L25	4.0	---
		TA0107L15	4.0	---
	51-80	TA0107L25	4.0	---
		TA0107L15	4.0	---
	81-89	TA0107L15	4.0	---
		TA0107L09	5.3	---
	90-120	TA0107L15	4.0	---
		TA0107L09	5.2	---
	121-200	TA0107L05	9.2	---
		TA0107L09	5.0	---
201-400	TA0107L05	8.3	---	
	TA0107L05	6.9	---	
1/2	4-5	TA2115H33	3.7	---
		TA2115H25	3.3	---
		TA2115H15	3.3	---
	6-10	TA1107H31	5.0	---
		TA1107H25	6.4	---
		TA1107H15	5.5	---
	11-50	TA0107L31	4.0	---
		TA0107L25	4.0	---
		TA0107L15	4.0	---
	51-80	TA0107L25	4.0	---
		TA0107L15	4.0	---
	81-89	TA0107L15	4.0	---
		TA0107L09	5.3	---
	90-120	TA0107L15	4.0	---
TA0107L09		5.2	---	
TA0107L05		9.2	---	
121-200	TA0107L09	5.0	---	
	TA0107L05	8.3	---	
	TA0107L05	6.9	---	
201-400	TA0107L09	5.0	---	
	TA0107L05	8.3	---	
	TA0107L05	6.9	---	
3/4	4-5	TA3203H32	4.6	---
		TA3203H25	4.6	---
		TA3203H15	4.6	---

Motor HP	Output RPM	Reducer Selection	Min. Sheave Dia. P.D.	Cooling Method
3/4 (cont)	6-8	TA2115H33	3.7	---
		TA2115H25	3.3	---
		TA2115H15	3.3	---
	9-16	TA1107H31	5.0	---
		TA1107H25	6.4	---
		TA1107H15	5.5	---
	17-50	TA0107L31	4.0	---
		TA0107L25	4.0	---
		TA0107L15	4.0	---
	51-80	TA0107L25	4.0	---
		TA0107L15	4.0	---
	81-89	TA0107L15	4.0	---
		TA0107L09	5.3	---
	90-120	TA0107L15	4.0	---
TA0107L09		5.2	---	
TA0107L05		9.2	---	
121-200	TA0107L09	5.0	---	
	TA0107L05	8.3	---	
	TA0107L05	6.9	---	
1	4	TA4207H40	5.0	---
		TA4207H25	5.5	---
		TA4207H15	8.1	---
	5-7	TA3203H32	4.6	---
		TA3203H25	4.6	---
		TA3203H15	4.6	---
	8-11	TA2115H33	3.7	---
		TA2115H25	3.3	---
		TA2115H15	3.3	---
	12-21	TA1107H31	4.9	---
		TA1107H25	6.3	---
		TA1107H15	5.5	---
	22-50	TA0107L31	4.0	---
		TA0107L25	4.0	---
TA0107L15		4.0	---	
51-80	TA0107L25	4.0	---	
	TA0107L15	4.0	---	
81-89	TA0107L15	4.0	---	
	TA0107L09	5.3	---	
90-120	TA0107L15	4.0	---	
	TA0107L09	5.2	---	
	TA0107L05	9.2	---	
121-200	TA0107L09	5.0	---	
	TA0107L05	8.3	---	
	TA0107L05	6.9	---	
1-1/2	4	TA5215H40	6.8	---
		TA5215H25	6.1	---
		TA5215H15	7.1	---
	5-7	TA4207H40	5.0	---
		TA4207H25	5.5	---
		TA4207H15	8.1	---
	8-10	TA3203H32	4.6	---
		TA3203H25	4.6	---
		TA3203H15	4.6	---
	11-17	TA2115H33	3.7	---
		TA2115H25	3.3	---
		TA2115H15	3.3	---

Motor HP	Output RPM	Reducer Selection	Min. Sheave Dia. P.D.	Cooling Method
1-1/2 (cont)	18-34	TA1107H31	4.8	---
		TA1107H25	5.9	---
		TA1107H15	5.3	---
	35-50	TA0107L31	4.0	---
		TA0107L25	4.0	---
		TA0107L15	4.0	---
	51-80	TA0107L25	4.0	---
		TA0107L15	4.0	---
	81-89	TA0107L15	4.0	---
		TA0107L09	5.3	---
	90-120	TA0107L15	4.0	---
		TA0107L09	5.2	---
	121-200	TA0107L05	9.2	---
		TA0107L09	5.0	---
201-400	TA0107L05	8.3	---	
	TA0107L05	6.9	---	
2	4-5	TA5215H40	6.8	---
		TA5215H25	6.1	---
		TA5215H15	7.1	---
	6-9	TA4207H40	5.0	---
		TA4207H25	5.5	---
		TA4207H15	8.1	---
	10-14	TA3203H32	4.6	---
		TA3203H25	4.6	---
		TA3203H15	4.6	---
	15-24	TA2115H33	3.7	---
		TA2115H25	3.3	---
		TA2115H15	3.3	---
	25-46	TA1107H31	4.7	---
		TA1107H25	5.7	---
TA1107H15		5.2	---	
47-50	TA0107L31	4.0	---	
	TA0107L25	4.0	---	
	TA0107L15	4.0	---	
51-80	TA0107L25	4.0	---	
	TA0107L15	4.0	---	
81-89	TA0107L15	4.0	---	
	TA0107L09	5.3	---	
90-120	TA0107L15	4.0	---	
	TA0107L09	5.2	---	
	TA0107L05	9.2	---	
121-200	TA0107L09	5.0	---	
	TA0107L05	8.3	---	
	TA0107L05	6.9	---	
3	4-5	TA6307H40	6.3	---
		TA6307H25	6.3	---
		TA6307H15	6.4	---
	6-8	TA5215H40	6.8	---
		TA5215H25	6.1	---
		TA5215H15	7.1	---
	9-14	TA4207H40	5.0	---
		TA4207H25	5.5	---
		TA4207H15	8.1	---
	15-21	TA3203H32	4.5	---
		TA3203H25	4.5	---
		TA3203H15	4.5	---

* See Page G1-132 for lubrication for 15 RPM and slower



SELECTION

TORQUE-ARM II Shaft Mount Speed Reducers

Class II Selections * (SF = 1.4)

Motor HP	Output RPM	Reducer Selection	Min. Sheave Dia. P.D.	Cooling Method	
3 (cont)	22-38	TA2115H33	3.6	---	
		TA2115H25	3.3	---	
		TA2115H15	3.2	---	
	39-50	TA1107H31	TA1107H25	4.5	---
			TA1107H15	5.5	---
			TA1107H15	5.0	---
	51-73	TA1107H25	TA1107H15	5.4	---
			TA1107H15	4.9	---
	74-80	TA0107L25	TA0107L15	4.0	---
			TA0107L15	4.0	---
81-89	TA0107L15	TA0107L09	4.0	---	
		TA0107L09	5.3	---	
90-120	TA0107L15	TA0107L09	4.0	---	
		TA0107L05	5.2	---	
		TA0107L05	9.2	---	
121-200	TA0107L09	TA0107L05	5.0	---	
		TA0107L05	8.3	---	
201-400	TA0107L05	6.9	---		
4	TA8407H40	TA8407H25	6.2	---	
		TA8407H15	6.2	---	
		TA8407H15	6.2	---	
	5-6	TA7315H40	TA7315H25	6.2	---
			TA7315H15	6.2	---
			TA7315H15	6.2	---
	7-8	TA6307H40	TA6307H25	6.3	---
			TA6307H15	6.4	---
	9-14	TA5215H40	TA5215H25	6.8	---
			TA5215H15	6.1	---
TA5215H15			7.1	---	
15-23	TA4207H40	TA4207H25	4.9	---	
		TA4207H15	5.4	---	
24-36	TA3203H32	TA3203H25	4.3	---	
		TA3203H15	4.4	---	
		TA3203H15	4.4	---	
37-50	TA2115H33	TA2115H25	3.3	---	
		TA2115H15	3.1	---	
		TA2115H15	3.2	---	
51-67	TA2115H25	TA2115H15	3.1	---	
		TA2115H15	3.5	---	
68-80	TA1107H25	TA1107H15	5.2	---	
		TA1107H15	4.7	---	
81-89	TA1107H15	TA1107H09	4.6	---	
		TA1107H09	7.7	---	
90-120	TA1107H15	TA1107H09	4.6	---	
		TA1107H05	7.5	---	
		TA1107H05	12.5	---	
121-131	TA1107H09	TA1107H05	7.1	---	
		TA1107H05	11.2	---	
132-146	TA0107L09	TA1107H05	5.0	---	
		TA1107H05	10.8	---	
147-200	TA0107L09	TA0107L05	4.8	---	
		TA0107L05	7.7	---	
201-400	TA0107L05	6.9	---		

Motor HP	Output RPM	Reducer Selection	Min. Sheave Dia. P.D.	Cooling Method	
7-1/2	4	TA9415H40	8.0	---	
		TA9415H25	8.0	---	
		TA9415H15	10.2	---	
	5-6	TA8407H40	TA8407H25	6.2	---
			TA8407H15	6.2	---
			TA8407H15	6.2	---
	7-9	TA7315H40	TA7315H25	6.2	---
			TA7315H15	6.2	---
			TA7315H15	6.2	---
	10-13	TA6307H40	TA6307H25	6.3	---
TA6307H15			6.3	---	
TA6307H15			6.4	---	
14-21	TA5215H40	TA5215H25	6.7	---	
		TA5215H15	6.0	---	
		TA5215H15	7.0	---	
22-35	TA4207H40	TA4207H25	4.7	---	
		TA4207H15	5.2	---	
		TA4207H15	7.7	---	
36-50	TA3203H32	TA3203H25	4.1	---	
		TA3203H15	4.3	---	
		TA3203H15	4.3	---	
51-58	TA3203H25	TA3203H15	4.2	---	
		TA3203H15	4.2	---	
59-80	TA2115H25	TA2115H15	3.1	---	
		TA2115H15	3.6	---	
81-89	TA2115H15	TA2115H09	3.7	---	
		TA2115H09	6.1	---	
90-105	TA2115H15	TA2115H09	3.7	---	
		TA2115H05	6.2	---	
		TA2115H05	6.5	---	
106-108	TA1107H15	TA2115H09	4.5	---	
		TA2115H05	6.2	---	
		TA2115H05	6.5	---	
109-120	TA1107H15	TA1107H09	4.5	---	
		TA1107H05	7.3	---	
		TA2115H05	6.6	---	
121-127	TA1107H09	TA2115H05	7.1	---	
		TA2115H05	6.6	---	
		TA1107H05	7.0	---	
128-200	TA1107H05	TA1107H05	10.9	---	
		TA1107H05	9.1	---	
201-306	TA1107H05	9.1	---		
307-400	TA0107L05	5.5	---		
10	4	TA10507H40	8.5	---	
		TA10507H25	8.5	---	
		TA10507H15	10.8	---	
	5	TA9415H40	TA9415H25	8.0	---
			TA9415H15	8.0	---
			TA9415H15	10.2	---
	6-8	TA8407H40	TA8407H25	6.2	---
			TA8407H15	6.2	---
			TA8407H15	6.2	---
	9-12	TA7315H40	TA7315H25	6.2	---
TA7315H15			6.2	---	
TA7315H15			6.2	---	
13-17	TA6307H40	TA6307H25	6.3	---	
		TA6307H15	6.3	---	
		TA6307H15	6.3	---	

Motor HP	Output RPM	Reducer Selection	Min. Sheave Dia. P.D.	Cooling Method	
10 (cont)	18-29	TA5215H40	6.6	---	
		TA5215H25	5.9	---	
		TA5215H15	6.8	---	
	30-49	TA4207H40	TA4207H25	4.5	---
			TA4207H15	5.0	---
			TA4207H15	7.4	---
	50	TA3203H32	TA3203H25	4.0	---
			TA3203H15	4.2	---
			TA3203H15	4.2	---
	51-80	TA3203H25	TA3203H15	4.2	---
TA3203H15			4.2	---	
81-84	TA3203H15	TA3203H09	4.0	---	
		TA3203H09	5.1	---	
85-89	TA2115H15	TA2115H09	3.7	---	
		TA2115H09	6.1	---	
90-120	TA2115H15	TA2115H09	3.7	---	
		TA2115H05	6.2	---	
		TA3203H05	11.0	---	
121-127	TA2115H09	TA2115H05	6.1	---	
		TA3203H05	7.7	---	
128-162	TA2115H09	TA2115H05	6.2	---	
		TA2115H05	6.5	---	
163-200	TA1107H09	TA2115H05	6.5	---	
		TA2115H05	6.3	---	
201-209	TA2115H05	6.0	---		
210-400	TA1107H05	8.9	---		
15	4	TA12608H40	17.2	---	
		TA12608H25	9.5	---	
		TA12608H15	13.7	---	
	5-6	TA10507H40	TA10507H25	8.5	---
			TA10507H15	8.5	---
			TA10507H15	10.8	---
	7-8	TA9415H40	TA9415H25	8.0	---
			TA9415H15	8.0	---
			TA9415H15	10.2	---
	9-12	TA8407H40	TA8407H25	6.2	---
TA8407H15			6.2	---	
TA8407H15			6.2	---	
13-19	TA7315H40	TA7315H25	6.2	---	
		TA7315H15	6.2	---	
		TA7315H15	6.2	---	
20-26	TA6307H40	TA6307H25	6.3	---	
		TA6307H15	6.3	---	
		TA6307H15	6.3	---	
27-47	TA5215H40	TA5215H25	6.4	---	
		TA5215H15	5.7	---	
		TA5215H15	6.6	---	
48-50	TA4207H40	TA4207H25	4.2	---	
		TA4207H15	4.7	---	
		TA4207H15	6.9	---	
51-80	TA4207H25	TA4207H15	4.7	---	
		TA4207H15	6.8	---	
81	TA3203H15	TA4207H09	4.0	---	
		TA4207H09	10.1	---	
82-89	TA3203H15	TA3203H09	4.0	---	
		TA3203H09	5.2	---	

* See Page G1-132 for lubrication for 15 RPM and slower

SELECTION



TORQUE-ARM II Shaft Mount Speed Reducers Class II Selections * (SF = 1.4)

Motor HP	Output RPM	Reducer Selection	Min. Sheave Dia. P.D.	Cooling Method	Motor HP	Output RPM	Reducer Selection	Min. Sheave Dia. P.D.	Cooling Method	Motor HP	Output RPM	Reducer Selection	Min. Sheave Dia. P.D.	Cooling Method
15 (cont)	90-92	TA3203H15	4.0	---	20 (cont)	195-200	TA3203H09	5.5	---	30 (cont)	27-41	TA7315H40	6.2	---
		TA3203H09	5.3	---			TA3203H05	7.0	---			TA7315H25	6.2	---
		TA5215H05	13.9	---			TA3203H05	7.0	---			TA7315H15	6.2	---
	93-118	TA3203H15	4.0	---	4-6	TDT1425 †	15.0	---	42-50		TA6307H40	6.2	---	
		TA3203H09	5.5	---							TA12608H40	17.2	---	TA6307H25
		TA4207H05	9.8	---	TA12608H25	9.5	---	TA6307H15			6.2	---		
	119-120	TA3203H15	4.0	---	7	TA12608H15	13.7	---	51-56		TA6307H25	6.2	---	
		TA3203H09	5.6	---							TA10507H40	8.5	---	TA6307H15
		TA3203H05	7.7	---	TA10507H25	8.5	---	TA5215H25			5.4	---		
	121-149	TA3203H09	5.7	---	8-10	TA10507H15	10.8	---	57-80		TA5215H15	6.2	---	
TA3203H05		7.7	---	TA9415H40		8.0	---	TA5215H09		9.1	---			
150-200	TA2115H09	6.5	---	11-14	TA9415H25	8.0	---	81-89	TA5215H15	6.0	---			
	TA3203H05	7.0	---		TA9415H15	10.4	---		TA5215H05	13.9	---			
201-260	TA3203H05	7.0	---	15-21	TA8407H40	6.2	---	90-110	TA5215H15	5.7	---			
261-400	TA2115H05	5.6	---		TA8407H25	6.2	---		TA5215H09	8.9	---			
					TA8407H15	6.2	---		TA5215H05	13.9	---			
20	4	TDT1425 †	15.0	---	25	22-33	TA7315H40	6.2	---	40	111-114	TA4207H15	6.0	---
	5	TA12608H40	17.2	---			TA7315H25	6.2	---			TA5215H09	8.5	---
		TA12608H25	9.5	---			TA7315H15	6.2	---			TA5215H05	12.4	---
		TA12608H15	13.7	---		34-46	TA6307H40	6.2	---		TA4207H15	5.9	---	
	6-8	TA10507H40	8.5	---			TA6307H25	6.2	---		TA4207H09	9.4	---	
		TA10507H25	8.5	---			TA6307H15	6.2	---		TA5215H05	12.1	---	
		TA10507H15	10.8	---		47-50	TA5215H40	6.1	---		115-120	TA4207H09	9.3	---
	9-11	TA9415H40	8.0	---			TA5215H25	5.5	---			TA5215H05	11.8	---
		TA9415H25	8.0	---			TA5215H15	6.3	---			121-195	TA4207H09	7.8
		TA9415H15	10.3	---		51-80	TA5215H25	5.4	---		TA4207H05		9.2	---
12-17	TA8407H40	6.2	---	TA5215H15	6.3		---	201-348	TA4207H05	9.8	---			
	TA8407H25	6.2	---	81-87	TA5215H15		6.0	---	349-400	TA3203H05	7.0	---		
	TA8407H15	6.2	---		TA5215H09	9.1	---	4-6	TDT1530 †	15.0	---			
18-26	TA7315H40	6.2	---		88-89	TA4207H15	6.3	---	7-9	TDT1425 †	15.0	---		
	TA7315H25	6.2	---	TA5215H09		8.9	---	10-12	TA12608H40	17.2	---			
	TA7315H15	6.2	---	TA4207H15		6.3	---		TA12608H25	9.5	---			
27-36	TA6307H40	6.3	---	90-91	TA5215H09	8.9	---		TA12608H15	13.9	---			
	TA6307H25	6.3	---		TA5215H05	13.9	---	13-17	TA10507H40	8.5	---			
TA6307H15	6.3	---	92-120		TA4207H15	6.3	---		TA10507H25	8.5	---			
37-50	TA5215H40	6.2		---	TA4207H09	9.8	---		TA10507H15	10.8	---			
	TA5215H25	5.6		---	TA5215H05	13.7	---	18-24	TA9415H40	8.0	---			
	TA5215H15	6.5	---	121-154	TA4207H09	9.3	---		TA9415H25	8.0	---			
51-67	TA5215H25	5.4	---		TA5215H05	11.8	---		TA9415H15	10.7	---			
	TA5215H15	6.3	---		155-200	TA4207H09	8.7	---	25-36	TA8407H40	6.2	---		
68-80	TA4207H25	4.5	---	TA4207H05		9.2	---	TA8407H25		6.2	---			
	TA4207H15	6.6	---	201-269		TA4207H05	9.8	---		TA8407H15	6.2	---		
81-89	TA4207H15	6.4	---		270-400	TA3203H05	7.0	---	37-50	TA7315H40	6.2	---		
	TA4207H09	10.1	---		4	TDT1530 †	15.0	---		TA7315H25	6.2	---		
90-115	TA4207H15	6.3	---	5-7	TDT1425 †	15.0	---	TA7315H15		6.2	---			
	TA4207H09	9.9	---	8	TA12608H40	17.2	---	TA6307H25	6.2	---				
	TA5215H05	13.9	---		TA12608H25	9.5	---	TA6307H15	6.2	---				
TA12608H15	13.7	---	9-12		TA10507H40	8.5	---	79-80	TA5215H25	5.2	---			
116-120	TA4207H15	5.9		---	TA10507H25	8.5	---		TA5215H15	6.0	---			
	TA3203H09	5.6		---	TA10507H15	10.8	---		TA5215H09	9.8	---			
	TA5215H05	12.1	---	13-18	TA9415H40	8.0	---	81-85	TA6307H09	9.8	---			
121-123	TA3203H09	5.6	---		TA9415H25	8.0	---		86-89	TA5215H15	5.8	---		
	TA5215H05	11.8	---		TA9415H15	10.6	---			TA5215H09	9.0	---		
124-194	TA3203H09	5.7	---	19-26	TA8407H40	6.2	---	90-112		TA5215H15	5.7	---		
	TA4207H05	9.3	---		TA8407H25	6.2	---		TA5215H09	8.9	---			
					TA8407H15	6.2	---		TA6307H05	15.1	---			

* See Page G1-132 for lubrication for 15 RPM and slower
† See Pages G2-68 and G2-69 for information on
TDT1425 and TDT1530 Reducers



SELECTION

TORQUE-ARM II Shaft Mount Speed Reducers Class II Selections * (SF = 1.4)

Motor HP	Output RPM	Reducer Selection	Min. Sheave Dia. P.D.	Cooling Method
40 (cont)	113-120	TA5215H15	5.1	---
		TA5215H09	8.4	---
		TA5215H05	12.3	---
	121-173	TA5215H09	8.3	---
		TA5215H05	11.8	---
	174-200	TA4207H09	8.2	---
		TA5215H05	10.4	---
	201-299	TA5215H05	9.9	---
	300-400	TA4207H05	8.8	---
	50	5-8	TDT1530 †	15.0
9-12		TDT1425 †	15.0	---
13-15		TA12608H40	17.1	---
		TA12608H25	9.5	---
		TA12608H15	14.1	---
16-21		TA10507H40	8.5	---
		TA10507H25	8.5	---
		TA10507H15	10.8	---
22-31		TA9415H40	8.0	---
		TA9415H25	8.0	---
		TA9415H15	10.8	---
32-43		TA8407H40	6.2	---
		TA8407H25	6.2	---
		TA8407H15	6.2	---
44-46		TA8407H40	6.2	Fan
		TA8407H25	6.2	---
		TA8407H15	6.2	---
47-50		TA7315H40	6.2	---
		TA7315H15	6.2	---
51-71		TA7315H25	6.2	---
	TA7315H15	6.2	---	
72-80	TA6307H25	6.2	---	
	TA6307H15	6.2	---	
81-89	TA6307H15	6.3	---	
	TA6307H09	9.9	---	
90-91	TA6307H15	6.3	---	
	TA6307H09	10.0	---	
92-114	TA7315H05	14.8	---	
	TA6307H15	6.6	---	
115-116	TA6307H09	10.6	---	
	TA6307H05	15.1	---	
	TA6307H15	6.7	---	
117-120	TA5215H09	8.4	---	
	TA5215H05	14.7	---	
	TA6307H05	14.7	---	
121-177	TA5215H15	5.1	---	
	TA5215H09	8.4	---	
178-200	TA6307H05	14.6	---	
	TA5215H09	8.3	---	
201-400	TA6307H05	14.5	---	
	TA5215H09	6.3	---	
		TA5215H05	10.4	---
		TA5215H05	9.9	---

Motor HP	Output RPM	Reducer Selection	Min. Sheave Dia. P.D.	Cooling Method
60	5-9	TDT1530 †	15.0	---
	10-14	TDT1425 †	15.0	---
	15-18	TA12608H40	17.1	---
		TA12608H25	9.5	---
		TA12608H15	14.3	---
	19-26	TA10507H40	8.5	---
		TA10507H25	8.5	---
		TA10507H15	10.8	---
	27-38	TA9415H40	8.0	Fan
		TA9415H25	8.0	---
		TA9415H15	10.8	---
	39-50	TA8407H40	6.2	Fan
		TA8407H25	6.2	---
		TA8407H15	6.2	---
	51-56	TA8407H25	6.2	---
		TA8407H15	6.5	---
	57-80	TA7315H25	6.2	---
		TA7315H15	6.2	---
	81-89	TA7315H15	6.2	---
		TA7315H09	8.1	---
90-120	TA6307H15	6.7	---	
	TA6307H09	10.8	---	
	TA7315H05	14.8	---	
121	TA6307H09	10.8	---	
	TA7315H05	12.8	---	
122-195	TA6307H09	10.9	---	
	TA6307H05	14.5	---	
196-199	TA6307H09	10.1	Fan	
	TA6307H05	13.9	---	
200	TA5215H09	5.8	---	
	TA6307H05	13.8	---	
201-282	TA6307H05	13.8	---	
283-400	TA5215H05	8.4	---	
75	7-12	TDT1530 †	15.0	---
	13-18	TDT1425 †	15.0	---
	19-23	TA12608H40	17.1	---
		TA12608H25	9.5	---
		TA12608H15	14.6	---
	24	TA10507H40	8.5	---
		TA12608H25	9.5	---
		TA12608H15	14.7	---
	25-33	TA10507H40	8.5	---
		TA10507H25	8.5	---
		TA10507H15	10.7	---
	34-48	TA9415H40	8.0	Fan
		TA9415H25	8.0	Fan
		TA9415H15	10.8	---
	49	TA8407H40	6.2	Fan
		TA8407H25	6.2	Fan
		TA9415H15	10.8	---
	50	TA8407H40	6.2	Fan
		TA8407H25	6.2	Fan
	51-72	TA8407H15	6.2	---
TA8407H15		7.2	---	
73-80	TA7315H25	6.2	Fan	
	TA7315H15	6.2	---	

Motor HP	Output RPM	Reducer Selection	Min. Sheave Dia. P.D.	Cooling Method
75 (cont)	81-111	TA7315H15	6.2	---
		TA7315H09	8.5	---
	112-117	TA7315H15	6.2	---
		TA7315H09	8.5	---
	118-120	TA6307H15	6.7	Fan
		TA6307H09	10.8	Fan
	121-169	TA6307H09	10.9	Fan
		TA7315H05	12.8	---
	170-200	TA6307H09	10.7	Fan
		TA6307H05	14.0	---
201-400	TA6307H05	13.8	---	
100	8-16	TDT1530 †	15.0	---
	17-24	TDT1425 †	15.0	---
	25-32	TA12608H40	17.1	---
		TA12608H25	9.5	---
		TA12608H15	15.1	---
	33	TA10507H40	8.5	Fan
		TA12608H25	9.5	---
		TA12608H15	15.1	---
	34-45	TA10507H40	8.5	Fan
		TA10507H25	8.5	---
	46-50	TA10507H15	11.1	---
		TA9415H40	8.0	Fan
		TA9415H25	8.0	Fan
	51-67	TA9415H15	10.8	Fan
		TA9415H25	8.0	Fan
	68-80	TA9415H15	10.8	Fan
		TA8407H25	6.2	Fan
	81-102	TA8407H15	7.5	Fan
		103	TA8407H15	8.3
	104-120	TA7315H15	6.2	Fan
TA7315H09		8.5	Fan	
121-180	TA7315H09	8.6	Fan	
181-190	TA7315H09	8.6	Fan	
191-200	TA6307H09	10.4	Fan	
	TA7315H05	11.7	---	
201-274	TA7315H05	11.7	---	
275-400	TA6307H05	12.0	---	
125	11-20	TDT1530 †	15.0	---
	21-30	TDT1425 †	15.0	---
	31-41	TA12608H40	17.1	Fan
		TA12608H25	9.5	---
		TA12608H15	15.4	---
	42-43	TA10507H40	8.5	Fan
		TA12608H25	9.5	---
	44-50	TA12608H15	15.5	---
		TA10507H40	8.5	Fan
		TA10507H25	8.5	Fan
	51-58	TA10507H15	11.3	Fan
		TA10507H25	8.5	Fan
	59-80	TA10507H15	11.8	Fan
		TA9415H25	8.0	Fan
	81-85	TA9415H15	10.8	Fan
		TA9415H15	10.5	Fan
	86-120	TA8407H15	8.7	Fan
	141-200	TA7315H09	8.6	Fan
	272-400	TA7315H05	10.9	---

* See Page G1-132 for lubrication for 15 RPM and slower

† See page G2-68 and G2-69 for information on TDT1425 and TDT1530 Reducers



SELECTION

TORQUE-ARM II Shaft Mount Speed Reducers Class II Selections * (SF = 1.4)

Motor HP	Output RPM	Reducer Selection	Min. Sheave Dia. P.D.	Cooling Method
150	13-25	TDT1530 †	15.0	---
	26-36	TDT1425 †	15.0	---
	37-50	TA12608H40	17.1	P&C
		TA12608H25	9.5	Fan
		TA12608H15	15.7	Fan
	51-54	TA12608H25	9.6	Fan
		TA12608H15	15.8	Fan
	55-71	TA10507H25	9.0	Fan
		TA10507H15	12.7	Fan
	72	TA9415H25	8.0	P&C
		TA10507H15	12.8	Fan
	73-80	TA9415H25	8.0	P&C
		TA9415H15	10.6	Fan
	81-105	TA9415H15	10.5	Fan
106-120	TA8407H15	8.7	Fan	
189-200	TA7315H09	8.2	Fan	
368-400	TA7315H05	10.1	---	
200	18-33	TDT1530 †	15.0	---
	34-49	TDT1425 †	15.0	Fan
	50	TA12608H40	17.1	P&C
		TA12608H25	9.5	P&C
		TA12608H15	15.7	Fan
	51-76	TA12608H25	10.7	P&C
		TA12608H15	16.1	Fan
	77-80	TA10507H25	9.4	P&C
		TA10507H15	13.4	Fan
	81-105	TA10507H15	13.6	Fan
106-120	TA9415H15	10.2	P&C	

Motor HP	Output RPM	Reducer Selection	Min. Sheave Dia. P.D.	Cooling Method
250	23-42	TDT1530 †	15.0	---
	43-61	TDT1425 †	15.0	P&C
	62-80	TA12608H25	10.7	P&C
		TA12608H15	16.1	P&C
	81-103	TA12608H15	15.6	P&C
104-120	TA10507H15	13.5	P&C	
300	28-53	TDT1530 †	15.0	---
	54-75	TDT1425 †	15.0	P&C
	76-80	TA12608H25	10.7	P&C
		TA12608H15	15.8	P&C
81-120	TA12608H15	15.6	P&C	
350	33-57	TDT1530 †	15.0	---
	66-75	TDT1425 †	15.0	P&C
	94-120	TA12608H15	15.2	P&C
400	38-57	TDT1530 †	15.0	Fan
	114-120	TA12608H15	15.1	P&C
450	43-57	TDT1530 †	15.0	Fan
500	50-57	TDT1530 †	15.0	Fan

* See Page G1-132 for lubrication for 15 RPM and slower

† See Pages G2-68 and G2-69 for information on TDT1425 and TDT1530 Reducers

P&C (Pump & Coolers) - Use the DODGE Speed Reducer Auxiliary cooling package, part number 014148

SELECTION



TORQUE-ARM II Shaft Mount Speed Reducers Class III Selections * (SF = 2.0)

Motor HP	Output RPM	Reducer Selection	Min. Sheave Dia. P.D.	Cooling Method
1/4	4	TA2115H33	3.7	---
		TA2115H25	3.3	---
		TA2115H15	3.3	---
	5-7	TA1107H31	5.0	---
		TA1107H25	6.4	---
		TA1107H15	5.5	---
	8-50	TA0107L31	4.0	---
		TA0107L25	4.0	---
		TA0107L15	4.0	---
	51-80	TA0107L25	4.0	---
		TA0107L15	4.0	---
		TA0107L09	5.3	---
81-89	TA0107L15	4.0	---	
	TA0107L09	5.3	---	
	TA0107L05	9.2	---	
90-120	TA0107L15	4.0	---	
	TA0107L09	5.2	---	
	TA0107L05	9.2	---	
121-200	TA0107L09	5.0	---	
	TA0107L05	8.3	---	
	TA0107L05	6.9	---	
1/3	4-5	TA2115H33	3.7	---
		TA2115H25	3.3	---
		TA2115H15	3.3	---
	6-9	TA1107H31	5.0	---
		TA1107H25	6.4	---
		TA1107H15	5.5	---
	10-50	TA0107L31	4.0	---
		TA0107L25	4.0	---
		TA0107L15	4.0	---
	51-80	TA0107L25	4.0	---
		TA0107L15	4.0	---
		TA0107L09	5.3	---
81-89	TA0107L15	4.0	---	
	TA0107L09	5.3	---	
	TA0107L05	9.2	---	
90-120	TA0107L15	4.0	---	
	TA0107L09	5.2	---	
	TA0107L05	9.2	---	
121-200	TA0107L09	5.0	---	
	TA0107L05	8.3	---	
	TA0107L05	6.9	---	
1/2	4-5	TA3203H32	4.6	---
		TA3203H25	4.6	---
		TA3203H15	4.6	---
	6-8	TA2115H33	3.7	---
		TA2115H25	3.3	---
		TA2115H15	3.3	---
	9-15	TA1107H31	5.0	---
		TA1107H25	6.4	---
		TA1107H15	5.5	---
	16-50	TA0107L31	4.0	---
		TA0107L25	4.0	---
		TA0107L15	4.0	---
51-80	TA0107L25	4.0	---	
	TA0107L15	4.0	---	
	TA0107L09	5.3	---	

Motor HP	Output RPM	Reducer Selection	Min. Sheave Dia. P.D.	Cooling Method
1/2 (cont)	90-120	TA0107L15	4.0	---
		TA0107L09	5.2	---
		TA0107L05	9.2	---
	121-200	TA0107L09	5.0	---
		TA0107L05	8.3	---
		TA0107L05	6.9	---
3/4	4-5	TA4207H40	5.0	---
		TA4207H25	5.5	---
		TA4207H15	8.1	---
	6-7	TA3203H32	4.6	---
		TA3203H25	4.6	---
		TA3203H15	4.6	---
	8-12	TA2115H33	3.7	---
		TA2115H25	3.3	---
		TA2115H15	3.3	---
	13-23	TA1107H31	4.9	---
		TA1107H25	6.2	---
		TA1107H15	5.5	---
24-50	TA0107L31	4.0	---	
	TA0107L25	4.0	---	
	TA0107L15	4.0	---	
51-80	TA0107L25	4.0	---	
	TA0107L15	4.0	---	
	TA0107L09	5.3	---	
81-89	TA0107L15	4.0	---	
	TA0107L09	5.3	---	
	TA0107L05	9.2	---	
90-120	TA0107L15	4.0	---	
	TA0107L09	5.2	---	
	TA0107L05	9.2	---	
121-200	TA0107L09	5.0	---	
	TA0107L05	8.3	---	
	TA0107L05	6.9	---	
1	4	TA5215H40	6.8	---
		TA5215H25	6.1	---
		TA5215H15	7.1	---
	5-6	TA4207H40	5.0	---
		TA4207H25	5.5	---
		TA4207H15	8.1	---
	7-10	TA3203H32	4.6	---
		TA3203H25	4.6	---
		TA3203H15	4.6	---
	11-16	TA2115H33	3.7	---
		TA2115H25	3.3	---
		TA2115H15	3.3	---
17	TA1107H31	4.8	---	
	TA2115H25	3.3	---	
	TA1107H15	5.4	---	
18-32	TA1107H31	4.8	---	
	TA1107H25	5.9	---	
	TA1107H15	5.3	---	
33-50	TA0107L31	4.0	---	
	TA0107L25	4.0	---	
	TA0107L15	4.0	---	
51-80	TA0107L25	4.0	---	
	TA0107L15	4.0	---	
	TA0107L09	5.3	---	
81-89	TA0107L15	4.0	---	
	TA0107L09	5.3	---	

Motor HP	Output RPM	Reducer Selection	Min. Sheave Dia. P.D.	Cooling Method
1 (cont)	90-120	TA0107L15	4.0	---
		TA0107L09	5.2	---
		TA0107L05	9.2	---
	121-200	TA0107L09	5.0	---
		TA0107L05	8.3	---
		TA0107L05	6.9	---
1-1/2	4-6	TA5215H40	6.8	---
		TA5215H25	6.1	---
		TA5215H15	7.1	---
	7-10	TA4207H40	5.0	---
		TA4207H25	5.5	---
		TA4207H15	8.1	---
	11-15	TA3203H32	4.6	---
		TA3203H25	4.6	---
		TA3203H15	4.6	---
	16-26	TA2115H33	3.7	---
		TA2115H25	3.3	---
		TA2115H15	3.2	---
27-50	TA1107H31	4.6	---	
	TA1107H25	5.7	---	
	TA1107H15	5.2	---	
51-80	TA0107L25	4.0	---	
	TA0107L15	4.0	---	
	TA0107L09	5.3	---	
81-89	TA0107L15	4.0	---	
	TA0107L09	5.3	---	
	TA0107L05	9.2	---	
90-120	TA0107L15	4.0	---	
	TA0107L09	5.2	---	
	TA0107L05	9.2	---	
121-200	TA0107L09	5.0	---	
	TA0107L05	8.3	---	
	TA0107L05	6.9	---	
2	4-5	TA6307H40	6.3	---
		TA6307H25	6.3	---
		TA6307H15	6.4	---
	6-8	TA5215H40	6.8	---
		TA5215H25	6.1	---
		TA5215H15	7.1	---
	9-13	TA4207H40	5.0	---
		TA4207H25	5.5	---
		TA4207H15	8.1	---
	14-20	TA3203H32	4.5	---
		TA3203H25	4.5	---
		TA3203H15	4.6	---
21-36	TA2115H33	3.6	---	
	TA2115H25	3.3	---	
	TA2115H15	3.2	---	
37-50	TA1107H31	4.5	---	
	TA1107H25	5.6	---	
	TA1107H15	5.0	---	
51-69	TA1107H25	5.4	---	
	TA1107H15	4.9	---	
	TA0107L25	4.0	---	
70-80	TA0107L15	4.0	---	
	TA0107L15	4.0	---	
	TA0107L09	5.3	---	
81-89	TA0107L15	4.0	---	
	TA0107L09	5.3	---	

* See Page G1-132 for lubrication for 15 RPM and slower

SELECTION



TORQUE-ARM II Shaft Mount Speed Reducers Class III Selections * (SF = 2.0)

Motor HP	Output RPM	Reducer Selection	Min. Sheave Dia. P.D.	Cooling Method
2 (cont)	90-120	TA0107L15	4.0	---
		TA0107L09	5.2	---
		TA0107L05	9.2	---
	121-200	TA0107L09	5.0	---
		TA0107L05	8.3	---
	201-400	TA0107L05	6.9	---
3	4-5	TA7315H40	6.2	---
		TA7315H25	6.2	---
		TA7315H15	6.2	---
	6-7	TA6307H40	6.3	---
		TA6307H25	6.3	---
		TA6307H15	6.4	---
	8-12	TA5215H40	6.8	---
		TA5215H25	6.1	---
		TA5215H15	7.1	---
	13-20	TA4207H40	4.9	---
		TA4207H25	5.5	---
		TA4207H15	8.0	---
21-30	TA3203H32	4.3	---	
	TA3203H25	4.4	---	
	TA3203H15	4.4	---	
31	TA3203H32	4.1	---	
	TA2115H25	3.1	---	
	TA2115H15	3.1	---	
32-50	TA2115H33	3.5	---	
	TA2115H25	3.1	---	
	TA2115H15	3.2	---	
51-56	TA2115H25	3.1	---	
	TA2115H15	3.3	---	
57-80	TA1107H25	5.3	---	
	TA1107H15	4.8	---	
81-89	TA1107H15	4.6	---	
	TA1107H09	7.7	---	
90-109	TA1107H15	4.6	---	
	TA1107H09	7.5	---	
	TA1107H05	12.5	---	
110-113	TA1107H15	4.5	---	
	TA0107L09	5.1	---	
	TA1107H05	11.6	---	
114	TA0107L15	4.0	---	
	TA0107L09	5.1	---	
	TA1107H05	11.4	---	
115-120	TA0107L15	4.0	---	
	TA0107L09	5.1	---	
	TA0107L05	8.4	---	
121-200	TA0107L09	5.0	---	
	TA0107L05	8.3	---	
	201-400	TA0107L05	6.9	---
5	4	TA9415H40	8.0	---
		TA9415H25	8.0	---
		TA9415H15	10.2	---
	5	TA8407H40	6.2	---
		TA8407H25	6.2	---
		TA8407H15	6.2	---

Motor HP	Output RPM	Reducer Selection	Min. Sheave Dia. P.D.	Cooling Method
5 (cont)	6-8	TA7315H40	6.2	---
		TA7315H25	6.2	---
		TA7315H15	6.2	---
	9-12	TA6307H40	6.3	---
		TA6307H25	6.3	---
		TA6307H15	6.4	---
	13-20	TA5215H40	6.7	---
		TA5215H25	6.0	---
		TA5215H15	7.0	---
	21-33	TA4207H40	4.7	---
		TA4207H25	5.2	---
		TA4207H15	7.7	---
34-50	TA3203H32	4.1	---	
	TA3203H25	4.3	---	
	TA3203H15	4.3	---	
51-55	TA3203H25	4.2	---	
	TA3203H15	4.2	---	
56-80	TA2115H25	3.1	---	
	TA2115H15	3.6	---	
81-89	TA2115H15	3.7	---	
	TA2115H09	6.1	---	
90-100	TA2115H15	3.7	---	
	TA2115H09	6.2	---	
	TA2115H05	6.5	---	
101	TA1107H15	4.5	---	
	TA2115H09	6.2	---	
	TA2115H05	6.5	---	
102-118	TA1107H15	4.5	---	
	TA1107H09	7.4	---	
	TA2115H05	6.6	---	
119-120	TA1107H15	4.4	---	
	TA1107H09	7.1	---	
	TA1107H05	11.2	---	
121-200	TA1107H09	7.1	---	
	TA1107H05	11.2	---	
201-276	TA1107H05	9.1	---	
	TA0107L05	5.8	---	
7-1/2	4	TA10507H40	8.5	---
		TA10507H25	8.5	---
		TA10507H15	10.8	---
	5-6	TA9415H40	8.0	---
		TA9415H25	8.0	---
		TA9415H15	10.2	---
	7-8	TA8407H40	6.2	---
		TA8407H25	6.2	---
		TA8407H15	6.2	---
	9-13	TA7315H40	6.2	---
		TA7315H25	6.2	---
		TA7315H15	6.2	---
14-18	TA6307H40	6.3	---	
	TA6307H25	6.3	---	
	TA6307H15	6.3	---	
19-32	TA5215H40	6.5	---	
	TA5215H25	5.9	---	
	TA5215H15	6.8	---	

Motor HP	Output RPM	Reducer Selection	Min. Sheave Dia. P.D.	Cooling Method
7-1/2 (cont)	33-50	TA4207H40	4.5	---
		TA4207H25	5.0	---
		TA4207H15	7.3	---
	51-53	TA4207H25	4.7	---
		TA4207H15	6.8	---
	54-80	TA3203H25	4.1	---
		TA3203H15	4.2	---
	81-89	TA3203H15	4.0	---
		TA3203H09	5.2	---
	90-92	TA3203H15	4.0	---
		TA3203H09	5.3	---
		TA3203H05	11.0	---
93-120	TA2115H15	3.7	---	
	TA2115H09	6.2	---	
	TA3203H05	10.4	---	
121-143	TA2115H09	6.1	---	
	TA3203H05	7.7	---	
144-181	TA2115H09	6.3	---	
	TA2115H05	6.4	---	
182-200	TA1107H09	6.2	---	
	TA2115H05	6.2	---	
201-237	TA2115H05	6.0	---	
	TA1107H05	8.4	---	
10	4	TA12608H40	17.2	---
		TA12608H25	9.5	---
		TA12608H15	13.7	---
	5-6	TA10507H40	8.5	---
		TA10507H25	8.5	---
		TA10507H15	10.8	---
	7-8	TA9415H40	8.0	---
		TA9415H25	8.0	---
		TA9415H15	10.2	---
	9-11	TA8407H40	6.2	---
		TA8407H25	6.2	---
		TA8407H15	6.2	---
12-18	TA7315H40	6.2	---	
	TA7315H25	6.2	---	
	TA7315H15	6.2	---	
19-25	TA6307H40	6.3	---	
	TA6307H25	6.3	---	
	TA6307H15	6.3	---	
26-45	TA5215H40	6.4	---	
	TA5215H25	5.7	---	
	TA5215H15	6.7	---	
46-50	TA4207H40	4.3	---	
	TA4207H25	4.7	---	
	TA4207H15	7.0	---	
51-75	TA4207H25	4.7	---	
	TA4207H15	6.8	---	
76-80	TA3203H25	4.0	---	
	TA3203H15	4.1	---	
81-89	TA3203H15	4.0	---	
	TA3203H09	5.2	---	
90-105	TA3203H15	4.0	---	
	TA3203H09	5.4	---	
	TA4207H05	9.9	---	

* See Page G1-132 for lubrication for 15 RPM and slower
 † See Pages G2-68 and G2-69 for information on
 TDT1425 and TDT1530 Reducer

SELECTION



TORQUE-ARM II Shaft Mount Speed Reducers Class III Selections * (SF = 2.0)

Motor HP	Output RPM	Reducer Selection	Min. Sheave Dia. P.D.	Cooling Method
10 (cont)	106-120	TA3203H15	4.0	---
		TA3203H09	5.6	---
		TA3203H05	8.6	---
	121-141	TA3203H09	5.7	---
		TA3203H05	7.7	---
	142-200	TA2115H09	6.5	---
		TA3203H05	7.2	---
	201-238	TA3203H05	7.0	---
	239-400	TA2115H05	5.7	---
	15	4-5	TDT1425 †	15.0
6		TA12608H40	17.2	---
		TA12608H25	9.5	---
		TA12608H15	13.7	---
7-9		TA10507H40	8.5	---
		TA10507H25	8.5	---
		TA10507H15	10.8	---
10-12		TA9415H40	8.0	---
		TA9415H25	8.0	---
		TA9415H15	10.3	---
13-18		TA8407H40	6.2	---
		TA8407H25	6.2	---
		TA8407H15	6.2	---
19-28		TA7315H40	6.2	---
		TA7315H25	6.2	---
		TA7315H15	6.2	---
29-39		TA6307H40	6.3	---
		TA6307H25	6.3	---
		TA6307H15	6.3	---
40-50		TA5215H40	6.2	---
	TA5215H25	5.5	---	
	TA5215H15	6.4	---	
	51-72	TA5215H25	5.4	---
		TA5215H15	6.3	---
73-80	TA4207H25	4.4	---	
	TA4207H15	6.5	---	
81-89	TA4207H15	6.4	---	
	TA4207H09	10.1	---	
90-120	TA4207H15	6.3	---	
	TA4207H09	9.9	---	
	TA5215H05	13.9	---	
	121-125	TA4207H09	9.3	---
		TA5215H05	11.8	---
126-132	TA3203H09	5.7	---	
	TA5215H05	11.6	---	
133-200	TA3203H09	5.7	---	
	TA4207H05	9.2	---	
	201-215	TA4207H05	9.3	---
216-400	TA3203H05	7.0	---	
20	4	TDT1530 †	15.0	---
	5-6	TDT1425 †	15.0	---
	7	TA12608H40	17.2	---
		TDT1425 †	15.0	---

Motor HP	Output RPM	Reducer Selection	Min. Sheave Dia. P.D.	Cooling Method
20 (cont)	8	TA12608H40	17.2	---
		TA12608H25	9.5	---
		TA12608H15	13.7	---
	9-12	TA10507H40	8.5	---
		TA10507H25	8.5	---
		TA10507H15	10.8	---
	13-17	TA9415H40	8.0	---
		TA9415H25	8.0	---
		TA9415H15	10.5	---
	18-25	TA8407H40	6.2	---
		TA8407H25	6.2	---
		TA8407H15	6.2	---
	26-38	TA7315H40	6.2	---
		TA7315H25	6.2	---
		TA7315H15	6.2	---
	39-50	TA6307H40	6.2	---
		TA6307H25	6.2	---
		TA6307H15	6.2	---
	51-54	TA6307H25	6.2	---
		TA6307H15	6.2	---
55-80		TA5215H25	5.4	---
	TA5215H15	6.3	---	
	81-89	TA5215H15	6.0	---
TA5215H09		9.1	---	
90-102		TA5215H15	5.7	---
	TA5215H09	8.9	---	
	TA5215H05	13.9	---	
103-107	TA4207H15	6.1	---	
	TA5215H09	8.6	---	
	TA5215H05	12.9	---	
108-120	TA4207H15	6.0	---	
	TA4207H09	9.5	---	
	TA5215H05	12.6	---	
121-182	TA4207H09	9.3	---	
	TA5215H05	11.8	---	
	183-200	TA4207H09	8.1	---
TA4207H05		9.2	---	
201-324		TA4207H05	9.8	---
325-400	TA3203H05	7.0	---	
25	4-5	TDT1530 †	15.0	---
	6-8	TDT1425 †	15.0	---
	9-10	TA12608H40	17.2	---
		TA12608H25	9.5	---
		TA12608H15	13.7	---
	11-15	TA10507H40	8.5	---
		TA10507H25	8.5	---
		TA10507H15	10.8	---
	16-21	TA9415H40	8.0	---
		TA9415H25	8.0	---
		TA9415H15	10.7	---
	22-32	TA8407H40	6.2	---
		TA8407H25	6.2	---
		TA8407H15	6.2	---
	33-49	TA7315H40	6.2	---
		TA7315H25	6.2	---
		TA7315H15	6.2	---

Motor HP	Output RPM	Reducer Selection	Min. Sheave Dia. P.D.	Cooling Method
25 (cont)	50	TA6307H40	6.2	---
		TA6307H25	6.2	---
		TA6307H15	6.2	---
	51-69	TA6307H25	6.2	---
		TA6307H15	6.2	---
	70-80	TA5215H25	5.3	---
		TA5215H15	6.1	---
	81-89	TA5215H15	6.0	---
		TA5215H09	9.1	---
	90-93	TA5215H15	5.7	---
		TA5215H09	8.9	---
		TA6307H05	15.1	---
	94-120	TA5215H15	5.6	---
		TA5215H09	8.8	---
		TA5215H05	13.6	---
	121-144	TA5215H09	8.3	---
		TA5215H05	11.8	---
	145-200	TA4207H09	8.9	---
		TA5215H05	11.2	---
	201-242	TA5215H05	9.9	---
243-400	TA4207H05	9.7	---	
30	4-6	TDT1530 †	15.0	---
	7-10	TDT1425 †	15.0	---
	11-13	TA12608H40	17.2	---
		TA12608H25	9.5	---
		TA12608H15	13.9	---
	14-18	TA10507H40	8.5	---
		TA10507H25	8.5	---
		TA10507H15	10.8	---
	19-26	TA9415H40	8.0	---
		TA9415H25	8.0	---
		TA9415H15	10.8	---
	27-39	TA8407H40	6.2	---
		TA8407H25	6.2	---
		TA8407H15	6.2	---
	40-50	TA7315H40	6.2	---
		TA7315H25	6.2	---
		TA7315H15	6.2	---
	51-60	TA7315H25	6.2	---
		TA7315H15	6.2	---
	61-80	TA6307H25	6.2	---
TA6307H15		6.2	---	
81-88	TA6307H15	6.3	---	
	TA6307H09	9.9	---	
89	TA5215H15	5.7	---	
	TA6307H09	9.9	---	
90-93	TA5215H15	5.7	---	
	TA6307H09	10.1	---	
	TA6307H05	15.1	---	
94-120	TA5215H15	5.6	---	
	TA5215H09	8.8	---	
	TA6307H05	15.1	---	
121-131	TA5215H09	8.3	---	
	TA6307H05	14.5	---	
132-196	TA5215H09	7.9	---	
	TA5215H05	11.4	---	

* See Page G1-132 for lubrication for 15 RPM and slower
 † See Pages G2-68 and G2-69 for information on TDT1425 and TDT1530 Reducer



SELECTION

TORQUE-ARM II Shaft Mount Speed Reducers Class III Selections * (SF = 2.0)

Motor HP	Output RPM	Reducer Selection	Min. Sheave Dia. P.D.	Cooling Method
30 (cont)	197-200	TA4207H09 TA5215H05	7.8 10.0	---
	201-344	TA5215H05	9.9	---
	345-400	TA4207H05	8.2	---
	5-9	TDT1530 †	15.0	---
40	10-13	TDT1425 †	15.0	---
	14	TA12608H40 TDT1425 †	17.1 15.0	---
	15-17	TA12608H40	17.1	---
		TA12608H25	9.5	---
		TA12608H15	14.3	---
	18-25	TA10507H40	8.5	---
		TA10507H25	8.5	---
		TA10507H15	10.8	---
	26-36	TA9415H40	8.0	---
		TA9415H25	8.0	---
TA9415H15		10.8	---	
37-50	TA8407H40	6.2	---	
	TA8407H25	6.2	---	
	TA8407H15	6.2	---	
50	51-53	TA8407H25 TA8407H15	6.2 6.3	---
	54-80	TA7315H25	6.2	---
		TA7315H15	6.2	---
	81-84	TA7315H15	6.2	---
		TA7315H09	8.0	---
	85-89	TA6307H15	6.3	---
		TA6307H09	9.9	---
	90-112	TA6307H15	6.6	---
		TA6307H09	10.6	---
		TA7315H05	14.8	---
113-120	TA6307H15	6.7	---	
	TA6307H09	10.8	---	
	TA6307H05	14.7	---	
121-160	TA6307H09	10.9	---	
	TA6307H05	14.5	---	
161-200	TA5215H09	6.8	---	
	TA6307H05	14.1	---	
	201-246	TA6307H05	13.8	---
50	247-400	TA5215H05	9.0	---
	6-11	TDT1530 †	15.0	---
	12-17	TDT1425 †	15.0	---
	18-22	TA12608H40	17.1	---
		TA12608H25	9.5	---
		TA12608H15	14.6	---
	23-31	TA10507H40	8.5	---
		TA10507H25	8.5	---
		TA10507H15	10.7	---
	32-37	TA9415H40	8.0	---
TA9415H25		8.0	---	
TA9415H15		10.8	---	
38-46	TA9415H40	8.0	Fan	
	TA9415H25	8.0	---	
	TA9415H15	10.8	---	

Motor HP	Output RPM	Reducer Selection	Min. Sheave Dia. P.D.	Cooling Method
50 (cont)	47-50	TA8407H40	6.2	Fan
		TA8407H25	6.2	---
		TA8407H15	6.2	---
	51-68	TA8407H25	6.2	---
		TA8407H15	7.0	---
	69-80	TA7315H25	6.2	---
		TA7315H15	6.2	---
	81-110	TA7315H15	6.2	---
		TA7315H09	8.5	---
	111	TA6307H15	6.6	---
TA6307H09		10.5	---	
112-120	TA6307H15	6.7	---	
	TA6307H09	10.8	---	
	TA7315H05	13.2	---	
121-157	TA6307H09	10.9	---	
	TA7315H05	12.8	---	
158-200	TA6307H09	10.9	---	
	TA6307H05	14.2	---	
201-400	TA6307H05	13.8	---	
60	7-14	TDT1530 †	15.0	---
	15-20	TDT1425 †	15.0	---
	21	TA12608H40	17.1	---
		TDT1425 †	15.0	---
	22-27	TA12608H40	17.1	---
		TA12608H25	9.5	---
	TA12608H15	14.8	---	
	28	TA10507H40	8.5	---
		TA12608H25	9.5	---
		TA12608H15	14.9	---
29-38	TA10507H40	8.5	---	
	TA10507H25	8.5	---	
	TA10507H15	10.7	---	
39-45	TA9415H40	8.0	Fan	
	TA9415H25	8.0	---	
	TA9415H15	10.8	---	
46-50	TA9415H40	8.0	Fan	
	TA9415H25	8.0	---	
	TA9415H15	10.8	---	
51-56	TA9415H25	8.0	---	
	TA9415H15	10.8	---	
57-71	TA8407H25	6.2	---	
	TA8407H15	7.1	---	
72-80	TA8407H25	6.2	Fan	
	TA8407H15	7.5	---	
81-83	TA8407H15	7.7	---	
84-85	TA7315H15	6.2	---	
86-120	TA7315H15	6.2	---	
	TA7315H09	8.5	---	
121-141	TA7315H09	8.6	---	
142-150	TA6307H09	10.9	---	
	TA6307H09	10.9	---	
151-195	TA6307H09	10.9	---	
	TA7315H05	12.1	---	
196-200	TA6307H09	10.1	Fan	
	TA7315H05	11.7	---	
201-208	TA7315H05	11.7	---	
209-400	TA6307H05	13.5	---	

Motor HP	Output RPM	Reducer Selection	Min. Sheave Dia. P.D.	Cooling Method
75	9-17	TDT1530 †	15.0	---
	18-26	TDT1425 †	15.0	---
	27-34	TA12608H40	17.1	---
		TA12608H25	9.5	---
		TA12608H15	15.1	---
	35-36	TA10507H40	8.5	---
		TA12608H25	9.5	---
	TA12608H15	15.2	---	
	37-49	TA10507H40	8.5	---
		TA10507H25	8.5	---
TA10507H15		11.3	---	
50	TA9415H40	8.0	Fan	
	TA9415H25	8.0	Fan	
	TA9415H15	10.8	---	
51-72	TA9415H25	8.0	Fan	
	TA9415H15	10.8	---	
73-80	TA8407H25	6.2	Fan	
	TA8407H15	7.5	---	
81-112	TA8407H15	8.6	---	
	TA7315H15	6.2	---	
114-120	TA7315H15	6.2	---	
	TA7315H09	8.5	---	
	TA7315H09	8.6	---	
157-200	TA7315H09	8.5	Fan	
	TA7315H05	11.5	---	
213-306	TA7315H05	11.7	---	
307-400	TA6307H05	11.7	---	
100	12-23	TDT1530 †	15.0	---
	24-35	TDT1425 †	15.0	---
	36-47	TA12608H40	17.1	---
		TA12608H25	9.5	---
		TA12608H15	15.6	---
	48-50	TA10507H40	8.5	Fan
		TA12608H25	9.5	---
	TA12608H15	15.7	---	
	51	TA12608H25	9.6	---
		TA12608H15	15.7	---
52-56	TA10507H25	8.5	---	
	TA10507H15	11.8	---	
57-67	TA10507H25	8.8	Fan	
	TA10507H15	12.4	---	
68	TA9415H25	8.0	Fan	
	TA10507H15	12.5	---	
69-80	TA9415H25	8.0	Fan	
	TA9415H15	10.7	Fan	
81-100	TA9415H15	10.5	Fan	
101-120	TA8407H15	8.7	Fan	
172-200	TA7315H09	8.4	Fan	
331-400	TA7315H05	10.8	---	
125	16-30	TDT1530 †	15.0	---
	31-43	TDT1425 †	15.0	---
	44-50	TA12608H40	17.1	Fan
		TA12608H25	9.5	---
		TA12608H15	15.7	---
	51-58	TA12608H25	9.6	---
		TA12608H15	15.9	---
	59-67	TA12608H25	10.4	Fan
		TA12608H15	16.1	---

* See Page G1-132 for lubrication for 15 RPM and slower
 † See Pages G2-68 and G2-69 for information on TDT1425 and TDT1530 Reducer



SELECTION

TORQUE-ARM II Shaft Mount Speed Reducers Class III Selections * (SF = 2.0)

Motor HP	Output RPM	Reducer Selection	Min. Sheave Dia. P.D.	Cooling Method
125 (cont)	68-80	TA10507H25	9.4	Fan
		TA10507H15	13.4	Fan
	81-90	TA10507H15	13.6	Fan
	91-120	TA9415H15	10.3	Fan
150	19-36	TDT1530 †	15.0	---
	37-41	TDT1425 †	15.0	---
	42-52	TDT1425 †	15.0	Fan
	53-80	TA12608H25	10.7	Fan
		TA12608H15	16.1	Fan
	81-83	TA12608H15	15.6	Fan
	84-115	TA10507H15	13.6	Fan
116-120	TA9415H15	10.2	Fan	
200	27-50	TDT1530 †	15.0	---
	51-70	TDT1425 †	15.0	P&C
	71-80	TA12608H25	10.7	P&C
		TA12608H15	16.1	Fan
	81-98	TA12608H15	15.6	Fan
99-120	TA12608H15	15.1	P&C	
250	34-57	TDT1530 †	15.0	---
	66-75	TDT1425 †	15.0	P&C
	97-120	TA12608H15	15.1	P&C
300	41-57	TDT1530 †	15.0	---
350	50-57	TDT1530 †	15.0	---

* See Page G1-132 for lubrication for 15 RPM and slower

† See page G2-68 and G2-69 for information on TDT1425 and TDT1530 Reducers

P&C (Pump & Coolers) - Use the DODGE Speed Reducer auxiliary cooling package, part number 014148



SELECTION

TORQUE-ARM II Shaft Mount Speed Reducers SELECTION GUIDE: TA II TORQUE-ARM SHAFT MOUNT REDUCERS AND SCREW CONVEYOR DRIVES

This is a reference sheet for quick selection and specification on DODGE TA II Shaft Mount Reducers. Use it to identify information needed to make an accurate selection with a step-by-step selection format for choosing a reducer, accessories and belt drive.

Name		Company Name	
Phone Number		Fax No.	e-mail Address:
Application Data:			
Driven Equipment			
Type	RPM	Shaft Size	
Hours of service/day		Class of Service	
Type of Load:	Uniform	Moderate	Shock
Screw Conveyor Applications:			
Screw Diameter		Drive shaft diameter	
Motor	HP	RPM	Shaft Size
Type of reducer mounting:	Horizontal		Vertical - Input up
Vertical - Input down	Incline (degree of)		Flange Mounting
Unusual ambient temperature:			
Other important application characteristics (reversing duty, start/stop cycles)			
Reducer Drive Selection:			
Step 1 - Determine class of service			
Step 2 - From Class of Service Table, select reducer type, size and ratio that meets Application HP and Driven RPM requirements			
Twin Taper Bushed		Screw Conveyor	
Step 3 - Select reducer accessories required for application:			
Twin Taper Bushing Kit:		Standard Shaft	Short Shaft
Rod Assembly		Backstop	Cooling Fan
Motor Mount		Belt Guard	Adapter & Hardware Kit
Adjustable Packing Kit		Drive Shaft	Stainless Drive Shaft
Other			
Belt Drive Specification:			
Service Factor	Belt Type	Center Distance	Sheave Ratio
Driver: Shaft Diameter	Sheave	Bushing	Belt Size & Qty
Driven: Shaft Diameter	Sheave	Bushing	Belt Size & Qty



SELECTION/DIMENSIONS

TORQUE-ARM II Shaft Mount Speed Reducers Taper Bushed Reducers - Ta01071, Single And Double Reductions

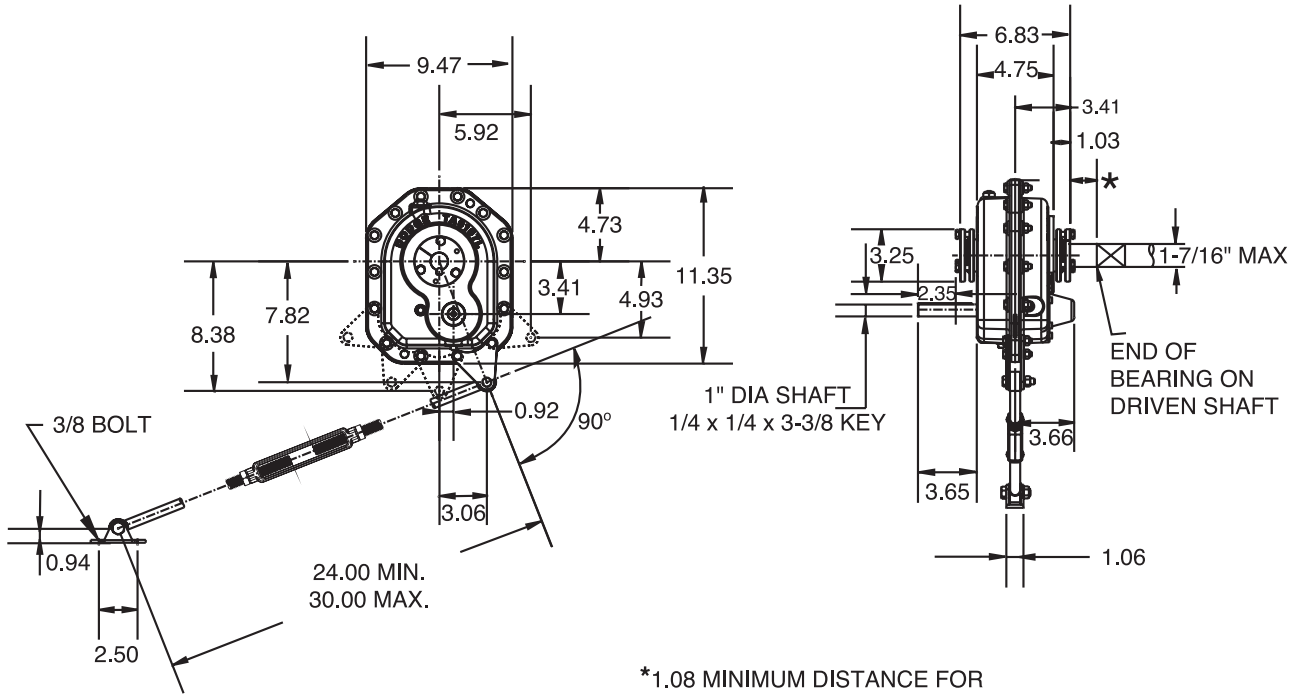
Gearing Reference Guide

TORQUE-ARM II

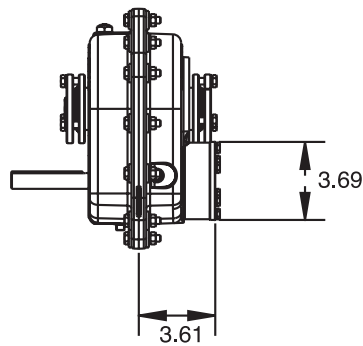
TORQUE-ARM

MAXUM

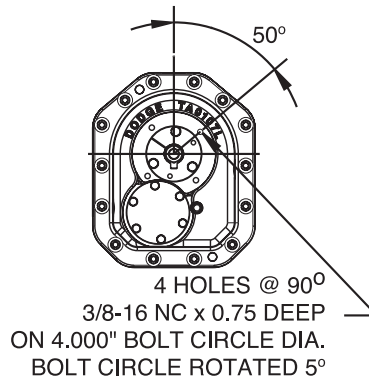
TIGEAR-2



*1.08 MINIMUM DISTANCE FOR BUSHING SCREW REMOVAL



REDUCER WITH BACKSTOP



FLANGE MOUNTING DIMENSIONS



SELECTION/DIMENSIONS

TORQUE-ARM II Shaft Mount Speed Reducers

Taper Bushed Reducers - TA0107L, Single And Double Reductions

TA0107L Taper Bushed Reducers ⁽¹⁾ ●

Reducer Size	Part Number	AGMA Code	Actual Ratio	Weight lbs.
TA0107L05	900004	107S05	5.20	39.6
TA0107L09	900003	107D09	9.00	41.2
TA0107L15	900002	107D15	14.93	41.1
TA0107L25	900001	107D25	25.09	41.0
TA0107L31	900000	107D31	30.94	41.2

(1) Reducers are supplied from stock ready for vertical mounting and for flange mounting.
Rod assembly is not included with reducer.
Order as a separate part number.

- TA0107L Reducer = Light duty, best value
- + Rod assembly mounting locations are limited to positions shown in drawing.

TA0107L Accessories

Description	Part Number	Weight lbs.
TA0107RA Rod Assembly ⁽¹⁾ +	900109	4.5
TA1107/0107L BS Backstop Assembly ⁽²⁾	901102	3.9
TA0107MM Motor Mount Assembly (56-215T) ⁽³⁾	900090	35.4
TA0107BG Belt Guard - Pos. B (56-215T)	900096	40.6
TA0107BG Belt Guard - Pos. C (56-215T) ⁽⁴⁾	900097	42.2
TA0107BG Belt Guard - Pos. D (56-215T)	900099	39.0
TA0-TA3 Vertical Breather Kit	900112	2.0
TA0107L V-Ring Kit	900249	0.1
Filter Breather Plug	430048	0.2
TA0107L Lube Kit	LUBEKITA0107	4.6

- (2) See page G1-128 for input shaft speed necessary for backstop sprag lift-off.
- (3) Motor Mount will fit NEMA and IEC frame motors; however hardware are inch dimensions.
- (4) Use Position-C belt guard for TA II reducer in screw conveyor drive applications.

TA0107L Tapered Bushing Kits ⁽⁵⁾ (6)

Bushing Size Standard Shaft Bushing Kit	Part Number (7)	Weight lbs.	Shaft Keyseat Required (9) (10)	Bushing Size	Part Number	Weight lbs.	Shaft Keyseat Required (9) (10)
				Short Shaft Bushing Kit (8)			
TA0107TB x 1-7/16 ▲	900020	1.5	3/8 x 3/16 x 6.83	---	---	---	---
TA0107TB x 1-3/8	900021	1.6	5/16 x 5/32 x 6.83	---	---	---	---
TA0107TB x 1-5/16	900022	1.8	5/16 x 5/32 x 6.83	---	---	---	---
TA0107TB x 1-1/4	900023	1.9	1/4 x 1/8 x 6.83	---	---	---	---
TA0107TB x 1-3/16	900024	2.0	1/4 x 1/8 x 6.83	TA0107TBS x 1-3/16	900027	2.1	1/4 x 1/8 x 4.35
TA0107TB x 1-1/8	900025	2.1	1/4 x 1/8 x 6.83	TA0107TBS x 1-1/8	900028	2.3	1/4 x 1/8 x 4.35
TA0107TB x 1	900026	2.4	1/4 x 1/8 x 6.83	TA0107TBS x 1	900029	2.6	1/4 x 1/8 x 4.35

▲ AGMA maximum bore size

- (5) Bushing kit required to mount TA II reducer to driven shaft
- (6) Bushing kit is not required to mount TA II reducer on SCS Drive Shaft in a screw conveyor application
- (7) Standard Shaft Bushing Kit includes two standard bushings with back-up plates and snap rings; hardware, and key
- (8) Short Shaft Bushing Kit includes one standard bushing, one long bushing with insertable wedge; two back-up plates with snap rings; hardware and key. This is an optional bushing for after market, short shaft mounting.
- (9) Minimum keyseat and shaft length required to mount reducer with bushing kit
- (10) Always check the driven shaft and key for strength



SELECTION/DIMENSIONS

TORQUE-ARM II Shaft Mount Speed Reducers

Screw Conveyor Drive - TA0107L, Single And Double Reductions

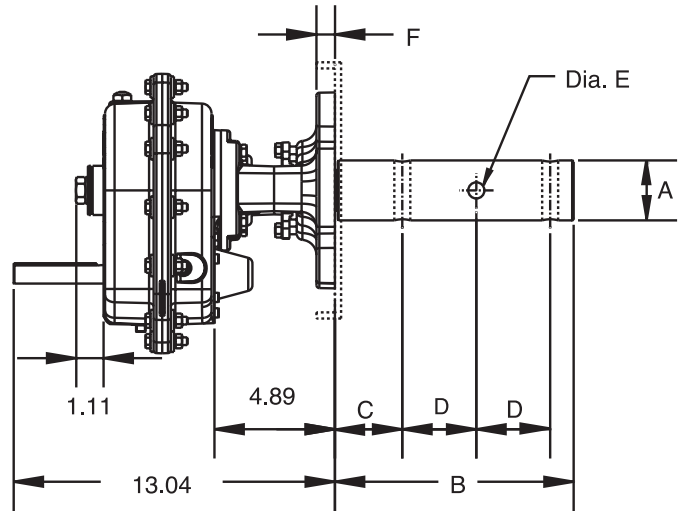
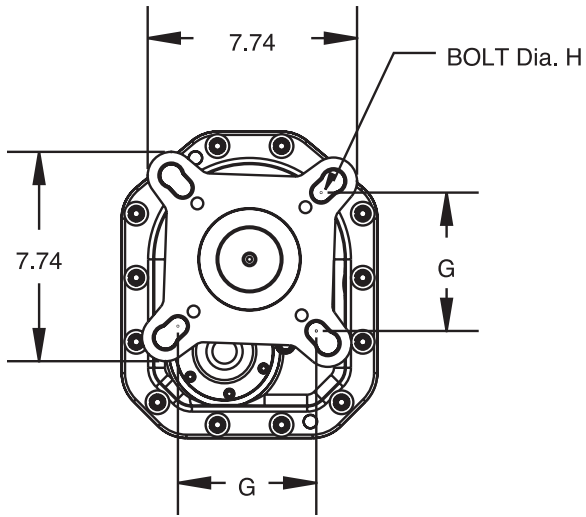
Gearing Reference Guide

TORQUE-ARM II

TORQUE-ARM

MAXUM

TIGEAR-2





SELECTION/DIMENSIONS

TORQUE-ARM II Shaft Mount Speed Reducers Screw Conveyor Drive - TA0107L, Single And Double Reductions

TA0107L Screw Conveyor Drive Dimensions

Screw Dia	Drive Shaft Dia A	Dimensions						
		B	C	D	Hole Dia E	F	G	Bolt Dia H
6, 9	1-1/2	9.00	2.13	3.00	17/32	0.75	4.00	1/2-13
9, 12	2	9.00	2.13	3.00	21/32	0.75	5.13	5/8
12, 14	2-7/16	9.69	2.75	3.00	21/32	0.75	5.63	5/8
12, 14, 16, 18, 20	3	9.88	2.88	3.00	25/32	0.75	6.00	3/4

TA0107L Accessories for Screw Conveyor Drives ^{(1) (4) (5)}

Description	Part Number	Weight lbs.
TA0107SCA Adapter & Hardware Kit ⁽²⁾	900070	14.7
TA0107SCP Adjustable Packing Kit ⁽³⁾	900071	0.9
TA0107SCS x 1-1/2 Drive Shaft	900072	8.8
TA0107SCS x 2 Drive Shaft	900073	12.0
TA0107SCS x 2-7/16 Drive Shaft	900074	16.5
TA0107SCS x 3 Drive Shaft	900075	22.8
TA0107SCS x 1-1/2 Stainless Steel Drive Shaft	900080	8.8
TA0107SCS x 2 Stainless Steel Drive Shaft	900081	12.0
TA0107SCS x 2-7/16 Stainless Steel Drive Shaft	900082	16.5
TA0107SCS x 3 Stainless Steel Drive Shaft	900083	22.8

- (1) See page G1-35 for Belt Guard for Screw Conveyor Drive applications
- (2) SCA Adapter & Hardware Kit includes adapter, mounting wedge, keeper plate, key, seals and hardware
- (3) SCP Adjustable Packing Kit consists of flange, mounting hardware and braided packing seals
- (4) SCS Drive Shaft is a shaft only. Hardware is stocked with the adapter & hardware kit
- (5) A complete TA II Screw Conveyor Drive includes a TA II Reducer, SCA Adapter & Hardware Kit and SCS Drive Shaft. The SCP Adjustable Packing Kit is an optional accessory.



SELECTION/DIMENSIONS

TORQUE-ARM II Shaft Mount Speed Reducers

Motor Mount Dimensions - TA0107L, Position B & D

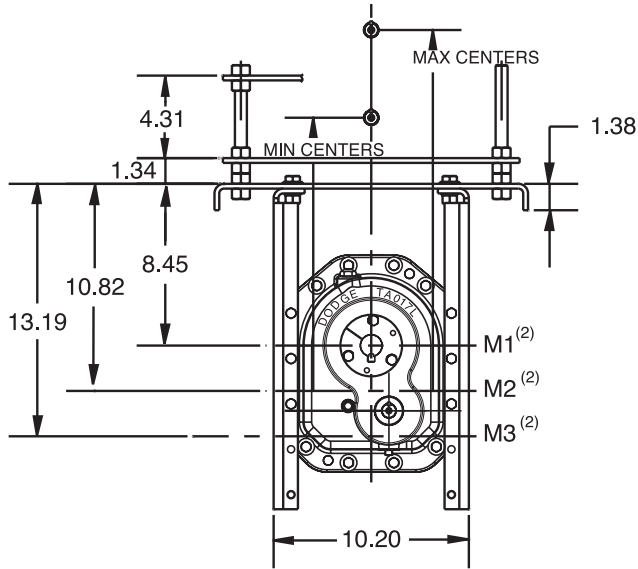
Gearing Reference Guide

TORQUE-ARM II

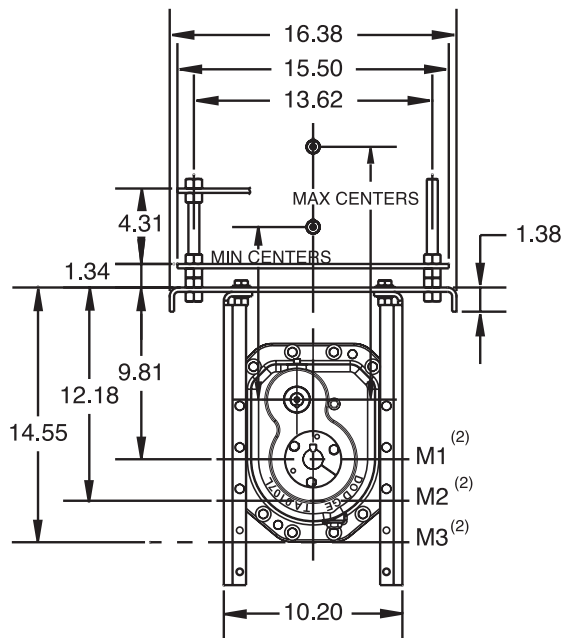
TORQUE-ARM

MAXUM

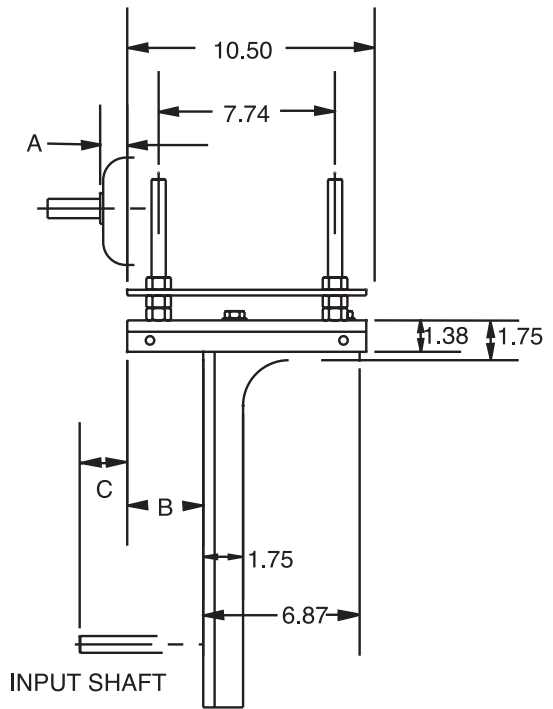
TIGEAR-2



POSITION B



POSITION D





SELECTION/DIMENSIONS

TORQUE-ARM II Shaft Mount Speed Reducers

Motor Mount Dimensions - TA0107L, Position B & D ⁽¹⁾

Mounting	Lateral Adjustment				Motor Mount Height ⁽²⁾	Motor Frame					
						56			143T & 145T		
	B Min	B Max	C Min	C Max		A	Centers		A	Centers	
							Min	Max		Min	Max
Position B	-0.09	3.33	2.10	5.52	M1	0.78	17.2	21.0	1.22	17.2	21.0
					M2		19.6	23.4		19.6	23.4
					M3		22.0	25.8		22.0	25.8
Position D	-0.09	3.33	2.10	5.52	M1	0.78	11.8	15.6	1.22	11.8	15.6
					M2		14.1	17.9		14.1	17.9
					M3		16.5	20.3		16.5	20.3

Mounting	Lateral Adjustment				Motor Mount Height ⁽²⁾	Motor Frame					
						182T & 184T			213T & 215T		
	B Min	B Max	C Min	C Max		A	Centers		A	Centers	
							Min	Max		Min	Max
Position B	-0.09	3.33	2.10	5.52	M1	1.37	18.2	22.0	1.55	19.0	22.8
					M2		20.6	24.4		21.3	25.1
					M3		23.0	26.8		23.7	27.5
Position D	-0.09	3.33	2.10	5.52	M1	1.37	12.8	16.6	1.55	13.5	17.3
					M2		15.1	18.9		15.9	19.7
					M3		17.5	21.3		18.3	22.1

Note:

Minimum centers contains 0.5" to allow for belt assembly

(1) Motor mount will fit NEMA and IEC frame motors; hardware are inch dimensions

(2) M1, M2, M3 go through output shaft centerline



SELECTION/DIMENSIONS

TORQUE-ARM II Shaft Mount Speed Reducers Motor Mount Dimensions - TA0107L, Position A & C

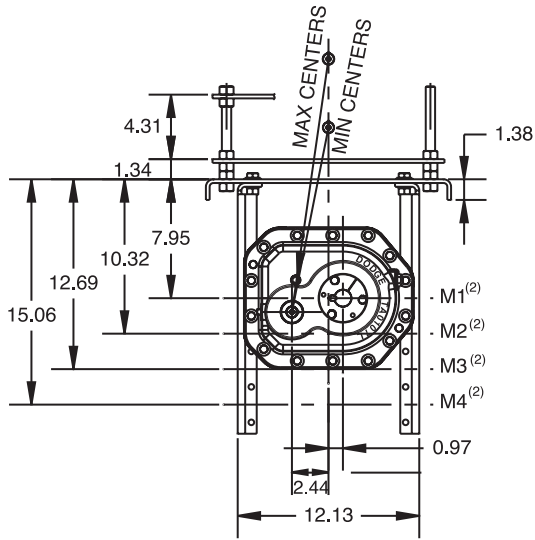
Gearing Reference Guide

TORQUE-ARM II

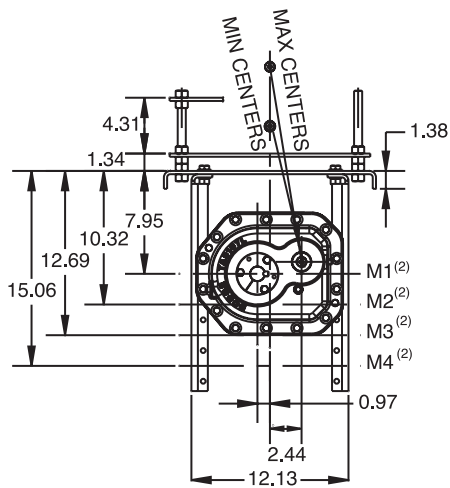
TORQUE-ARM

MAXUM

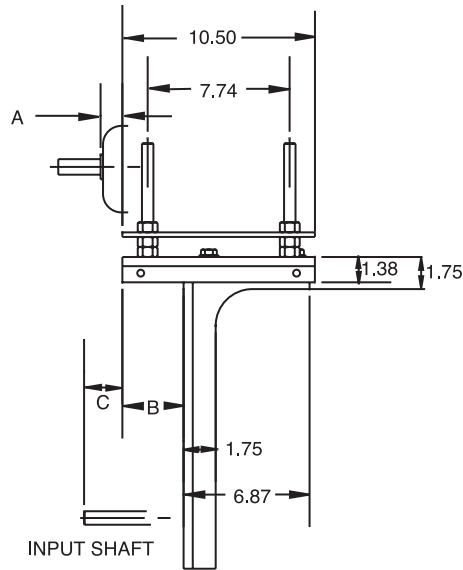
TIGEAR-2



POSITION A



POSITION C



INPUT SHAFT



SELECTION/DIMENSIONS

TORQUE-ARM II Shaft Mount Speed Reducers

Motor Mount Dimensions - TA0107L, Position A & C ^{(1) (3)}

Mounting	Lateral Adjustment				Motor Mount Height ⁽²⁾	Motor Frame					
						56			143T & 145T		
	B Min	B Max	C Min	C Max		A	Centers		A	Centers	
						Min	Max		Min	Max	
Position A	-0.09	3.33	3.05	6.47	M1	0.78	14.4	18.2	1.22	14.4	18.2
					M2		16.8	20.5		16.8	20.5
					M3		19.1	22.9		19.1	22.9
					M4		21.5	25.2		21.5	25.2
Position C	-0.09	3.33	3.05	6.47	M1	0.78	12.6	16.4	1.22	12.6	16.4
					M2		14.9	18.7		14.9	18.7
					M3		17.3	21.1		17.3	21.1
					M4		19.6	23.4		19.6	23.4

Mounting	Lateral Adjustment				Motor Mount Height ⁽²⁾	Motor Frame					
						182T & 184T			213T & 215T		
	B Min	B Max	C Min	C Max		A	Centers		A	Centers	
						Min	Max		Min	Max	
Position A	-0.09	3.33	3.05	6.47	M1	1.37	15.4	19.2	1.55	16.2	19.9
					M2		17.8	21.5		18.5	22.3
					M3		20.1	23.9		20.8	24.6
					M4		22.5	26.2		23.2	27.0
Position C	-0.09	3.33	3.05	6.47	M1	1.37	13.6	17.4	1.55	14.3	18.1
					M2		15.9	19.7		16.7	20.4
					M3		18.3	22.1		19.0	22.8
					M4		20.6	24.4		21.4	25.2

Note:

Minimum centers contain 0.5" to allow for belt assembly

(1) Motor mount will fit NEMA and IEC frame motors; hardware are inch dimensions

(2) M1, M2, M3, M4 go through output shaft centerline

(3) See Table A, below, for minimum "M" mounting position required for specific screw diameter and reducer size

Table A - Screw Conveyor Motor Mount Minimum "M" Mounting Positions ⁽¹⁾

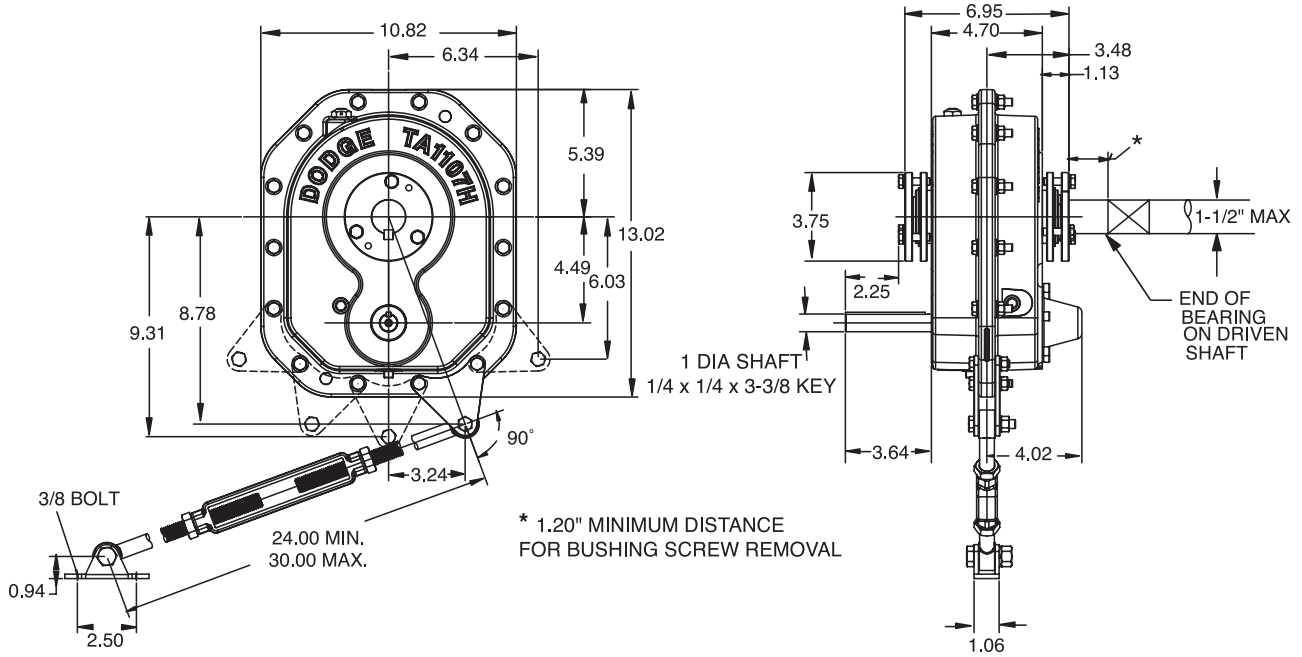
Nominal Screw Dia	Trough Height Dim	Minimum Mounting Position							
		TA0107L	TA1107H	TA2115H	TA3203H	TA4207H	TA5215H	TA6307H	TA7315H
6	7.00	M2	M3	M2	M2	M2	M1	M1	M1
9	9.00	M3	M4	M3	M3	M2	M2	M2	M1
12	10.00	M4	M4	M3	M3	M2	M2	M2	M1
14	11.00	M4	M4	M4	M3	M3	M2	M2	M2
16	11.50	M4	***	M4	M4	M3	M2	M2	M2
18	12.13	***	***	M4	M4	M3	M3	M2	M2
20	13.50	***	***	M4	M4	M3	M3	M3	M2
24	16.50	***	***	***	***	M4	M3	M3	M3

(1) For U Or Flared Trough Ends Per CEMA 300-014



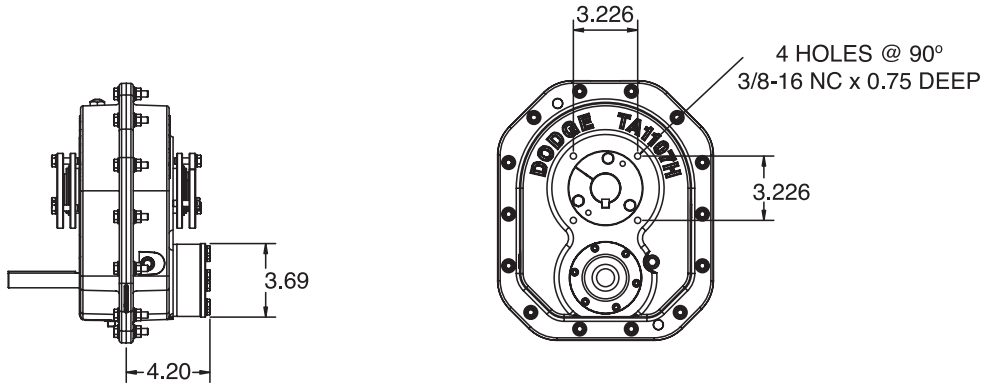
SELECTION/DIMENSIONS

TORQUE-ARM II Shaft Mount Speed Reducers Tapered Bushed Reducers - TA1107H, Single And Double Reduction



REDUCER WITH BACKSTOP

FLANGE MOUNTING DIMENSIONS





SELECTION/DIMENSIONS

TORQUE-ARM II Shaft Mount Speed Reducers Tapered Bushed Reducers - TA1107H, Single And Double Reduction

TA1107H Taper Bushed Reducers ⁽¹⁾ ● ■

Reducer Size	Part Number	AGMA Code	Actual Ratio	Weight lbs.
TA1107H05	901004	107S05	5.00	55.4
TA1107H09	901003	107D09	8.99	56.8
TA1107H15	901002	107D15	14.91	56.7
TA1107H25	901001	107D25	25.06	56.7
TA1107H31	901000	107D31	30.91	56.8

(1) Reducers are supplied from stock ready for vertical mounting and for flange mounting. Rod assembly is not included with reducer. Order as a separate part number.

- TA1107H Reducer - Heavy duty, extended value
- See page G1-122 for Maximum Bore Straight Bore TA II Reducers
- + Rod Assembly mounting locations are limited to positions show in drawing.

TA1107H Accessories

Description	Part Number	Weight lbs.
TA1107RA Rod Assembly ⁽¹⁾ +	901109	4.5
TA1107H/0107L BS Backstop Assembly ⁽²⁾	901102	3.9
TA1107MM Motor Mount Assembly (56-254T) ⁽³⁾	901090	39.5
TA1107BG Belt Guard - Pos. B (56-254T)	901096	40.6
TA1107BG Belt Guard - Pos. C (56-254T) ⁽⁴⁾	901097	43.1
TA1107BG Belt Guard - Pos D (56-254T)	901099	43.0
TA0-TA3 - Vertical Breather Kit	900112	2.0
TA1107H - V-Ring Kit	901249	0.1
Filter Breather Plug	430048	0.2
TA1107H Lube Kit	LUBEKITA1107	4.6

- (2) See page G1-128 for input shaft speed necessary for backstop sprag lift-off
- (3) Motor Mount will fit NEMA and IEC frame motors; however hardware are inch dimensions
- (4) Use Position-C belt guard for TA II reducer in screw conveyor drive applications

TA1107H Tapered Bushing Kits ⁽⁵⁾ (6)

Bushing Size Standard Shaft Bushing Kit	Part Number (7)	Weight lbs.	Shaft Keyseat Required (9) (10)	Bushing Size Short Shaft Bushing Kit (8)	Part Number	Weight lbs.	Shaft Keyseat Required (9) (10)
TA1107TB x 1-1/2	901020	3.3	3/8 x 3/16 x 6.95	---	---	---	---
TA1107TB x 1-7/16 ▲	901021	3.6	3/8 x 3/16 x 6.95	TA1107TBS x 1-7/16	901030	3.7	3/8 x 3/16 x 4.43
TA1107TB x 1-3/8	901022	3.5	5/16 x 5/32 x 6.95	TA1107TBS x 1-3/8	901031	3.8	5/16 x 5/32 x 4.43
TA1107TB x 1-5/16	901023	3.8	5/16 x 5/32 x 6.95	TA1107TBS x 1-5/16	901032	4	5/16 x 5/32 x 4.43
TA1107TB x 1-1/4	901024	3.7	1/4 x 1/8 x 6.95	TA1107TBS x 1-1/4	901033	4.1	1/4 x 1/8 x 4.43
TA1107TB x 1-3/16	901025	3.8	1/4 x 1/8 x 6.95	TA1107TBS x 1-3/16	901034	4.2	1/4 x 1/8 x 4.43
TA1107TB x 1-1/8	901026	4.0	1/4 x 1/8 x 6.95	TA1107TBS x 1-1/8	901035	4.4	1/4 x 1/8 x 4.43
TA1107TB x 1-1/16	901027	4.0	1/4 x 1/8 x 6.95	TA1107TBS x 1-1/16	901036	4.5	1/4 x 1/8 x 4.43
TA1107TB x 1	901028	4.2	1/4 x 1/8 x 6.95	TA1107TBS x 1	901037	4.7	1/4 x 1/8 x 4.43

- ▲ AGMA maximum bore size
- (5) Bushing kit required to mount TA II reducer to driven shaft
- (6) Bushing kit is not required to mount TA II reducer on SCS Drive Shaft in a screw conveyor application
- (7) Standard Shaft Bushing Kit includes two standard bushings with back-up plates and snap rings; hardware, and key.
- (8) Short Shaft Bushing Kit includes one standard bushing, one long bushing with insertable wedge; two back-up plates with snap rings; hardware and key. This is an optional bushing for after market, short shaft mounting.
- (9) Minimum keyseat and shaft length required to mount reducer with bushing kit
- (10) Always check the driven shaft and key for strength



SELECTION/DIMENSIONS

TORQUE-ARM II Shaft Mount Speed Reducers
 Screw Conveyor Drive - Ta1107h, Single And Double Reduction

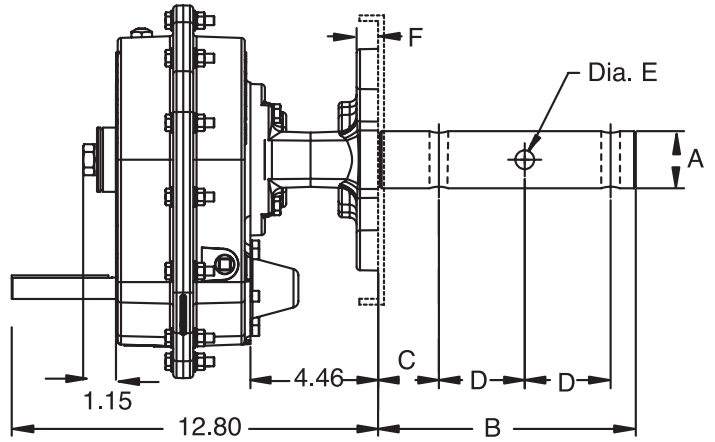
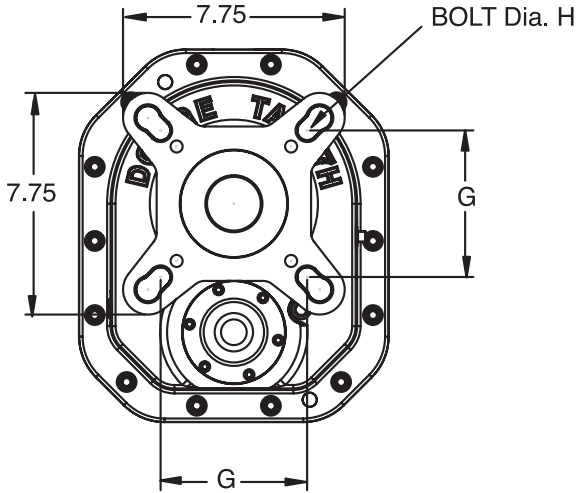
Gearing Reference Guide

TORQUE-ARM II

TORQUE-ARM

MAXUM

TIGEAR-2





SELECTION/DIMENSIONS

TORQUE-ARM II Shaft Mount Speed Reducers Screw Conveyor Drive - TA1107H, Single And Double Reduction

TA1107H Screw Conveyor Drive Dimensions

Screw Dia	Drive Shaft Dia A	Dimensions						
		B	C	D	Hole Dia E	F	G	Bolt Dia H
6, 9	1-1/2	9.00	2.13	3.00	17/32	0.75	4.00	1/2-13
9, 12	2	9.00	2.13	3.00	21/32	0.75	5.13	5/8
12, 14	2-7/16	9.69	2.75	3.00	21/32	0.75	5.63	5/8
12, 14, 16, 18, 20	3	9.88	2.88	3.00	25/32	0.75	6.00	3/4

TA1107H Accessories for Screw Conveyor Drives ^{(1) (4) (5)}

Description	Part Number	Weight lbs.
TA1107SCA Adapter & Hardware Kit ⁽²⁾	901070	15.2
TA1107SCP Adjustable Packing Kit ⁽³⁾	901071	0.8
TA1107SCS x 1-1/2 Drive Shaft	901072	10.3
TA1107SCS x 2 Drive Shaft	901073	13.5
TA1107SCS x 2-7/16 Drive Shaft	901074	18.1
TA1107SCS x 3 Drive Shaft	901075	24.4
TA1107SCS x 1-1/2 Stainless Steel Drive Shaft	901080	10.3
TA1107SCS x 2 Stainless Steel Drive Shaft	901081	13.5
TA1107SCS x 2-7/16 Stainless Steel Drive Shaft	901082	18.1
TA1107SCS x 3 Stainless Steel Drive Shaft	901083	24.4

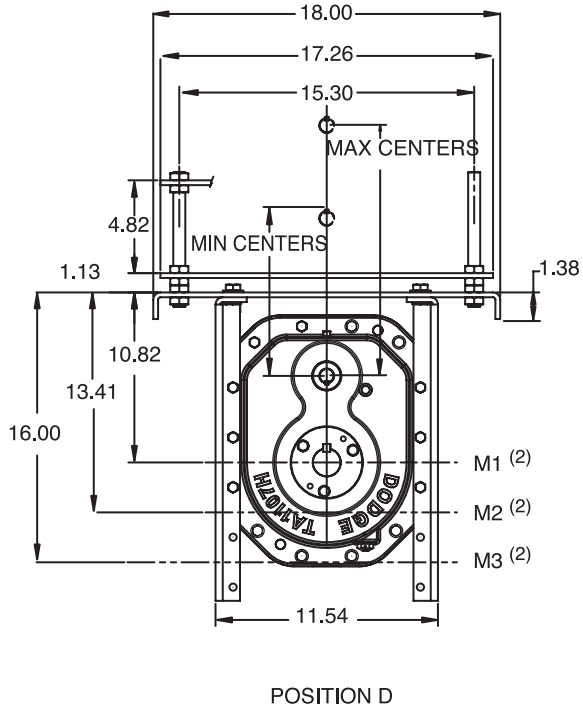
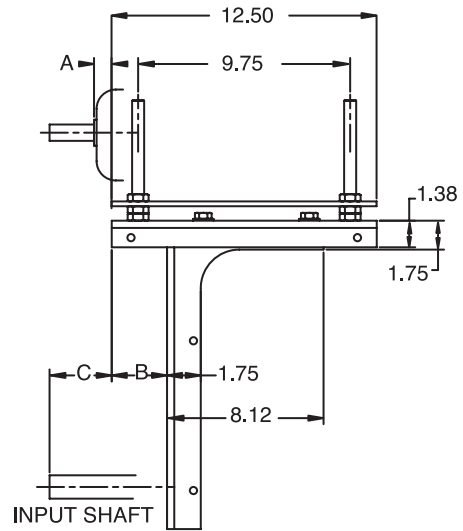
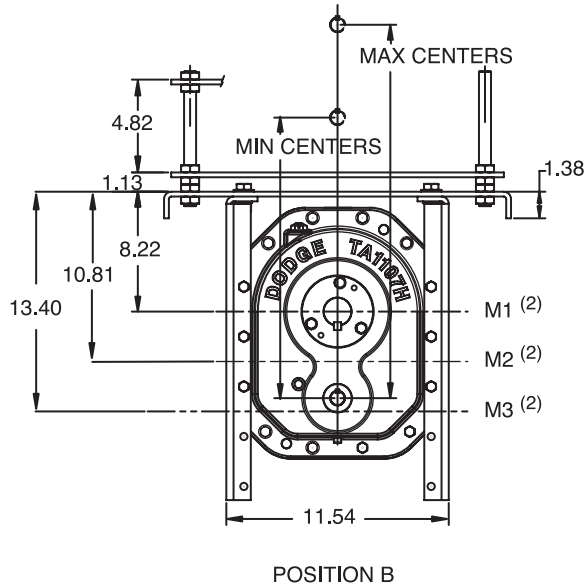
- (1) See page G1-43 for Belt Guard for Screw Conveyor Drive applications
- (2) SCA Adapter & Hardware Kit includes adapter, mounting wedge, keeper plate, key, seals and hardware
- (3) SCP Adjustable Packing Kit consists of flange, mounting hardware and braided packing seals
- (4) SCS Drive Shaft is a shaft only. Hardware is stocked with the adapter & hardware kit
- (5) A complete TA II Screw Conveyor Drive includes a TA II Reducer, SCA Adapter & Hardware Kit and SCS Drive Shaft. The SCP Adjustable Packing Kit is an optional accessory.



SELECTION/DIMENSIONS

TORQUE-ARM II Shaft Mount Speed Reducers

Motor Mount Dimensions - TA1107H, Position B & D





SELECTION/DIMENSIONS

TORQUE-ARM II Shaft Mount Speed Reducers

Motor Mount Dimensions - TA1107H, Position B & D ⁽¹⁾

Mounting	Lateral Adjustment				Motor Mount Height ⁽²⁾	Motor Frame					
						56			143T & 145T		
	B Min	B Max	C Min	C Max		A	Centers		A	Centers	
Min					Max		Min	Max			
Position B	-0.09	3.33	2.06	5.48	M1	0.78	17.7	22.0	1.22	17.7	22.0
					M2		20.3	24.6		20.3	24.6
					M3		22.9	27.2		22.9	27.2
Position D	-0.09	3.33	2.06	5.48	M1	0.78	11.3	15.7	1.22	11.3	15.7
					M2		13.9	18.2		13.9	18.2
					M3		16.5	20.8		16.5	20.8

Mounting	Motor Mount Height ⁽²⁾	Motor Frame								
		182T & 184T			213T & 215T			254T		
		A	Centers		A	Centers		A	Centers	
Min	Max		Min	Max		Min	Max			
Position B	M1	1.37	18.7	23.0	1.55	19.5	23.8	1.56	20.5	24.8
	M2		21.3	25.6		22.1	26.4		23.1	27.4
	M3		23.9	28.2		24.6	29.0		25.6	30.0
Position D	M1	1.37	12.3	16.7	1.55	13.1	17.4	1.56	14.1	18.4
	M2		14.9	19.2		15.7	20.0		16.7	21.0
	M3		17.5	21.8		18.3	22.6		19.3	23.6

Note:

Minimum centers contains 0.5" to allow for belt assembly

(1) Motor mount will fit NEMA and IEC frame motors; hardware are inch dimensions

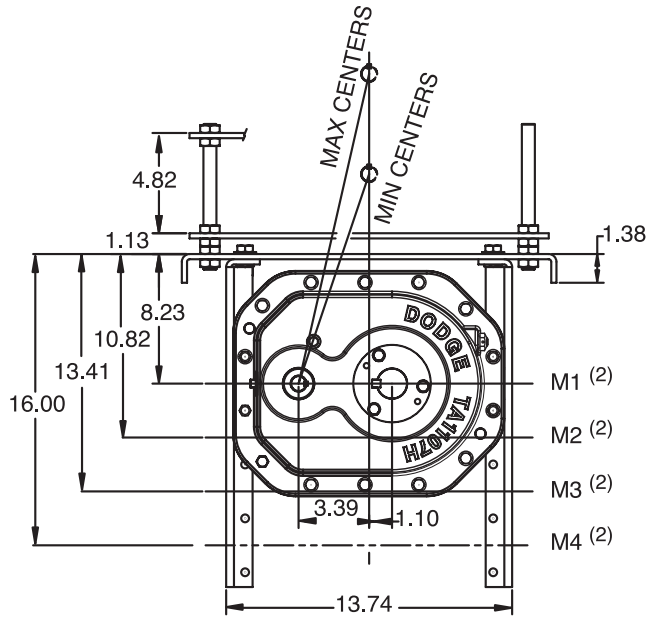
(2) M1, M2, M3 go through output shaft centerline



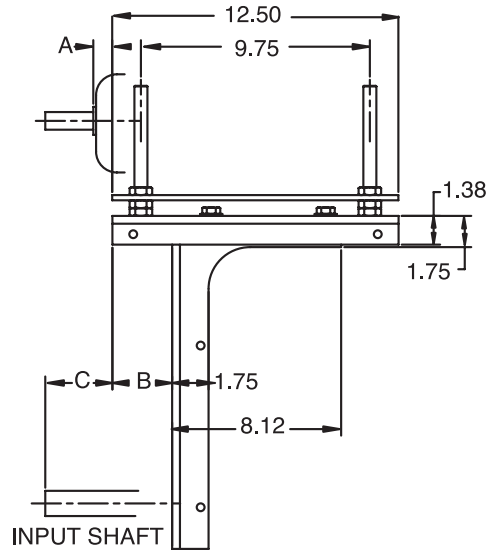
SELECTION/DIMENSIONS

TORQUE-ARM II Shaft Mount Speed Reducers

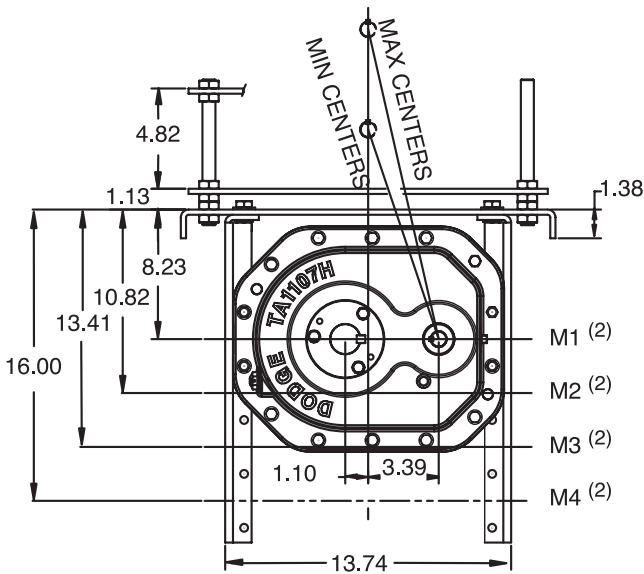
Motor Mount Dimensions - TA1107H, Position A & C



POSITION A



POSITION C



Gearing Reference Guide

TORQUE-ARM II

TORQUE-ARM

MAXUM

TIGEAR-2



SELECTION/DIMENSIONS

TORQUE-ARM II Shaft Mount Speed Reducers

Motor Mount Dimensions - TA1107H, Position A & C ^{(1) (3)}

Mounting	Lateral Adjustment				Motor Mount Height ⁽²⁾	Motor Frame					
						56			143T & 145T		
	B Min	B Max	C Min	C Max		A	Centers		A	Centers	
						Min	Max		Min	Max	
Position A	-0.09	3.33	3.01	6.43	M1	0.78	13.8	17.9	1.22	13.8	17.9
					M2		16.2	20.5		16.2	20.5
					M3		18.8	23.0		18.8	23.0
					M4		21.3	25.6		21.3	25.6
Position C	-0.09	3.33	3.01	6.43	M1	0.78	13.8	17.9	1.22	13.8	17.9
					M2		16.2	20.5		16.2	20.5
					M3		18.8	23.0		18.8	23.0
					M4		21.3	25.6		21.3	25.6

Mounting	Motor Mount Height ⁽²⁾	Motor Frame								
		182T & 184T			213T & 215T			254T		
		A	Centers		A	Centers		A	Centers	
		Min	Max		Min	Max		Min	Max	
Position A	M1	1.37	14.7	18.9	1.55	15.4	19.6	1.56	16.4	20.6
	M2		17.2	21.4		17.9	22.2		18.9	23.2
	M3		19.7	24.0		20.5	24.7		21.5	25.7
	M4		22.3	26.6		23.0	27.3		24.0	28.3
Position C	M1	1.37	14.7	18.9	1.55	15.4	19.6	1.56	16.4	20.6
	M2		17.2	21.4		17.9	22.2		18.9	23.2
	M3		19.7	24.0		20.5	24.7		21.5	25.7
	M4		22.3	26.6		23.0	27.3		24.0	28.3

Note:

Minimum centers contains 0.5" to allow for belt assembly

(1) Motor mount will fit NEMA and IEC frame motors; hardware are inch dimensions

(2) M1, M2, M3, M4 go through output shaft centerline

(3) See Table A, below, for minimum "M" mounting position required for specific screw diameter and reducer size

Table A - Screw Conveyor Motor Mount Minimum "M" Mounting Positions ⁽¹⁾

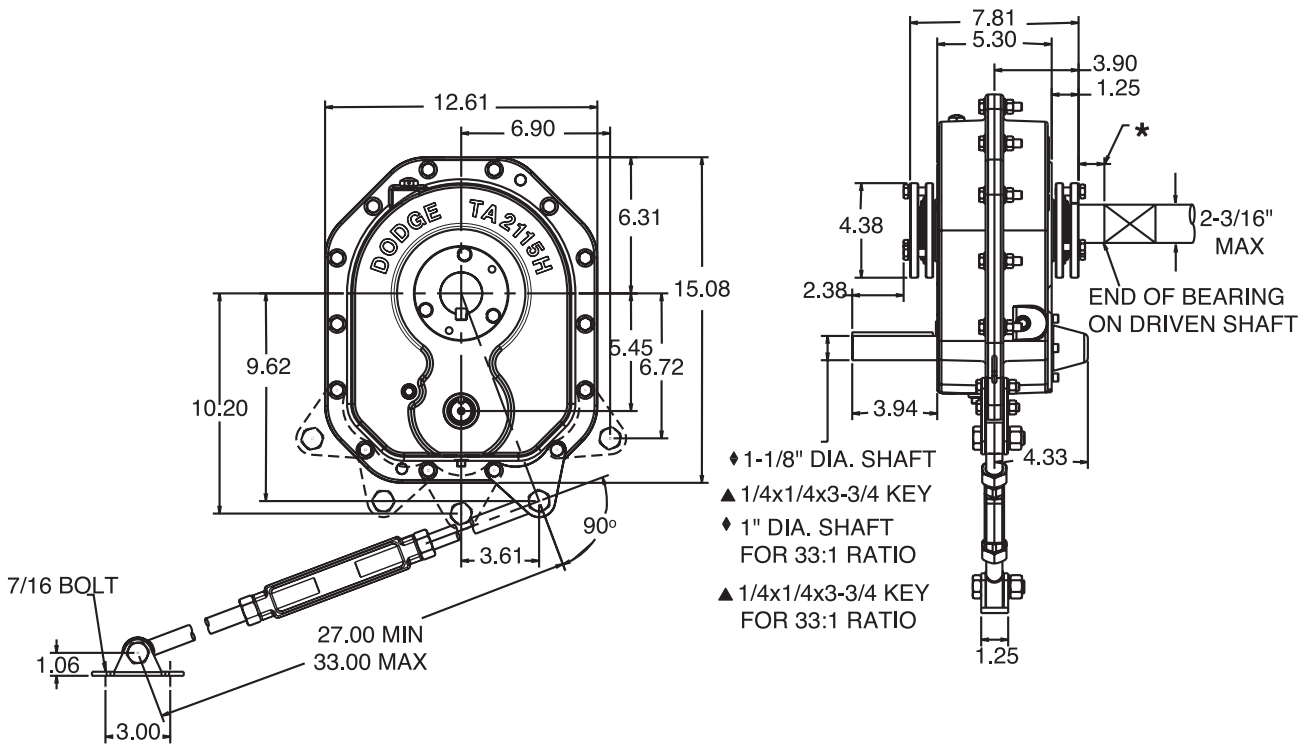
Nominal Screw Dia	Trough Height Dim	Minimum Mounting Position							
		TA0107L	TA1107H	TA2115H	TA3203H	TA4207H	TA5215H	TA6307H	TA7315H
6	7.00	M2	M3	M2	M2	M2	M1	M1	M1
9	9.00	M3	M4	M3	M3	M2	M2	M2	M1
12	10.00	M4	M4	M3	M3	M2	M2	M2	M1
14	11.00	M4	M4	M4	M3	M3	M2	M2	M2
16	11.50	M4	***	M4	M4	M3	M2	M2	M2
18	12.13	***	***	M4	M4	M3	M3	M2	M2
20	13.50	***	***	M4	M4	M3	M3	M3	M2
24	16.50	***	***	***	***	M4	M3	M3	M3

(1) For U Or Flared Trough Ends Per CEMA 300-014



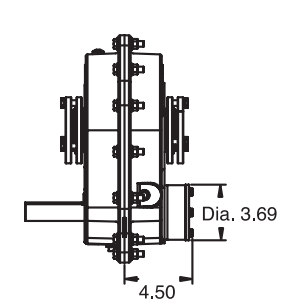
SELECTION/DIMENSIONS

TORQUE-ARM II Shaft Mount Speed Reducers Taper Bushed Reducer - TA2115H, Single And Double Reduction

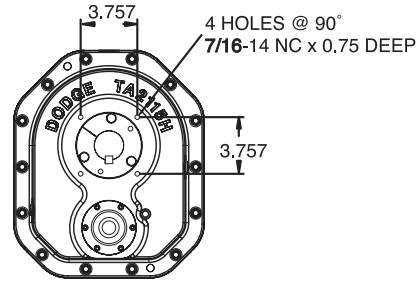


- ◆ 1-1/8" DIA. SHAFT
- ▲ 1/4x1/4x3-3/4 KEY
- ◆ 1" DIA. SHAFT FOR 33:1 RATIO
- ▲ 1/4x1/4x3-3/4 KEY FOR 33:1 RATIO

* 1.20" MINIMUM DISTANCE FOR BUSHING SCREW REMOVAL



REDUCER WITH BACKSTOP



FLANGE MOUNTING DIMENSIONS



SELECTION/DIMENSIONS

TORQUE-ARM II Shaft Mount Speed Reducers Taper Bushed Reducer - TA2115H, Single And Double Reduction

TA2115H Taper Bushed Reducers ⁽¹⁾

Reducer Size	Part Number	AGMA Code	Actual Ratio	Weight lbs.
TA2115H05	902004	115S05	5.20	84.2
TA2115H09	902003	115D09	9.10	86.5
TA2115H15	902002	115D15	15.62	86.3
TA2115H25	902001	115D25	25.07	86.1
TA2115H33	902000	115D33	33.33	85.7

(1) Reducers are supplied from stock ready for vertical mounting and for flange mounting. Rod assembly is not included with reducer. Order as a separate part number.

+ Rod Assembly mounting locations are limited to positions shown in drawing

TA2115H Accessories

Description	Part Number	Weight lbs.
TA2115RA Rod Assembly ⁽¹⁾ +	902109	6.9
TA2115BS Backstop Assembly ⁽²⁾	902102	3.9
TA2115MM Motor Mount Assembly (56-256T) ⁽³⁾	902090	52.6
TA2115BG Belt Guard - Pos. B (56-256T)	902096	47.7
TA2115BG Belt Guard - Pos. C (56-256T) ⁽⁴⁾	902097	52.1
TA2115BG Belt Guard - Pos. D (56-256T)	902099	51.0
TA0-TA3 Vertical Breather Kit	900112	2.0
TA2115H V-Ring Kit	902249	0.2
Filter Breather Plug	430048	0.2
TA2115H Lube Kit	LUBEKITTA2115	8.1

(2) See page G1-128 for input shaft speed necessary for backstop sprag lift-off

(3) Motor Mount will fit NEMA and IEC frame motors; however hardware are inch dimensions

(4) Use Position-C belt guard for TA II reducer in screw conveyor drive applications

TA2115H Tapered Bushing Kits ⁽⁵⁾ ⁽⁶⁾

Bushing Size Standard Shaft Bushing Kit	Part Number (7)	Weight lbs.	Shaft Keyseat	Bushing Size	Part Number	Weight lbs.	Shaft Keyseat
			Required (9) (10)	Short Shaft Bushing Kit ⁽⁸⁾			Required (9) (10)
TA2115TB x 2-3/16	902020	4.7	1/2 x 1/4 x 7.80	---	---	---	---
TA2115TB x 2	902022	5.2	1/2 x 1/4 x 7.80	---	---	---	---
TA2115TB x 1-15/16 ▲	902023	5.4	1/2 x 1/4 x 7.80	TA2115TBS x 1-15/16	902030	5.6	1/2 x 1/4 x 4.80
TA2115TB x 1-7/8	902024	5.6	1/2 x 1/4 x 7.80	TA2115TBS x 1-7/8	902031	5.9	1/2 x 1/4 x 4.80
TA2115TB x 1-3/4	902025	5.8	3/8 x 3/16 x 7.80	TA2115TBS x 1-3/4	902032	6	3/8 x 3/16 x 4.80
TA2115TB x 1-11/16	902026	6.1	3/8 x 3/16 x 7.80	TA2115TBS x 1-11/16	902033	6.6	3/8 x 3/16 x 4.80
TA2115TB x 1-5/8	902027	6.0	3/8 x 3/16 x 7.80	TA2115TBS x 1-5/8	902034	6.8	3/8 x 3/16 x 4.80
TA2115TB x 1-1/2	902028	6.4	3/8 x 3/16 x 7.80	TA2115TBS x 1-1/2	902035	7.3	3/8 x 3/16 x 4.80
TA2115TB x 1-7/16	902029	6.4	3/8 x 3/16 x 7.80	TA2115TBS x 1-7/16	902036	7.4	3/8 x 3/16 x 4.80
TA2115TB x 1-3/8	902060	6.5	5/16 x 5/32 x 7.80	TA2115TBS x 1-3/8	902037	7.6	5/16 x 5/32 x 4.80
TA2115TB x 1-5/16	902061	6.7	5/16 x 5/32 x 7.80	TA2115TBS x 1-5/16	902038	7.8	5/16 x 5/32 x 4.80

▲ AGMA maximum bore size

(5) Bushing kit required to mount TA II reducer to driven shaft

(6) Bushing kit is not required to mount TA II reducer on SCS Drive Shaft in a screw conveyor application

(7) Standard Shaft Bushing Kit includes two standard bushings with back-up plates and snap rings; hardware, and key

(8) Short Shaft Bushing Kit includes one standard bushing, one long bushing with insertable wedge; two back-up plates with snap rings; hardware and key. This is an optional bushing for after market, short shaft mounting.

(9) Minimum keyseat and shaft length required to mount reducer with bushing kit

(10) Always check the driven shaft and key for strength



SELECTION/DIMENSIONS

TORQUE-ARM II Shaft Mount Speed Reducers

Screw Conveyor Drive - TA2115H, Single And Double Reduction

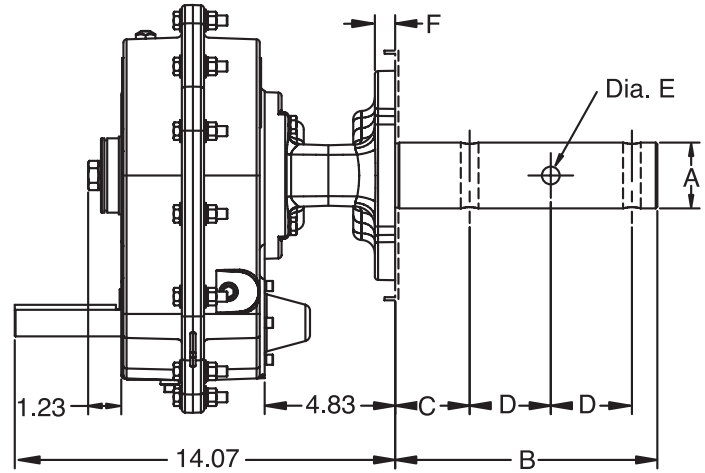
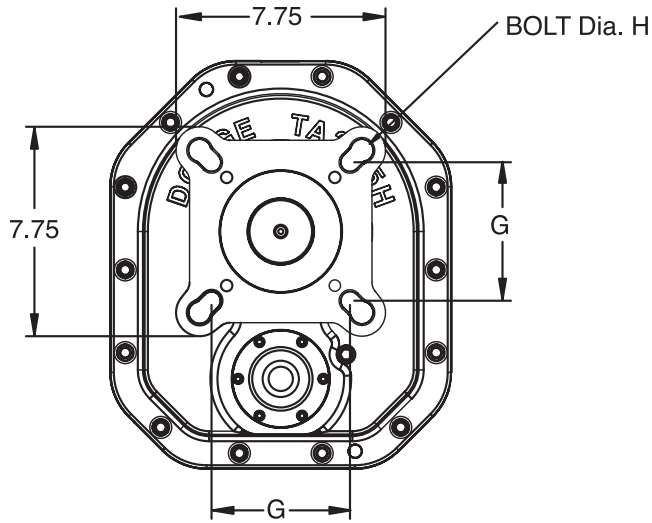
Gearing Reference Guide

TORQUE-ARM II

TORQUE-ARM

MAXUM

TIGEAR-2





SELECTION/DIMENSIONS

TORQUE-ARM II Shaft Mount Speed Reducers Screw Conveyor Drive - TA2115H, Single And Double Reduction

TA2115H Screw Conveyor Drive Dimensions

Screw Dia	Drive Shaft Dia A	Dimensions						
		B	C	D	Hole Dia E	F	G	Bolt Dia H
6, 9	1-1/2	9.00	2.13	3.00	17/32	0.75	4.00	1/2-13
9, 12	2	9.00	2.13	3.00	21/32	0.75	5.13	5/8
12, 14	2-7/16	9.69	2.75	3.00	21/32	0.75	5.63	5/8
12, 14, 16, 18, 20	3	9.88	2.88	3.00	25/32	0.75	6.00	3/4

TA2115H Accessories for Screw Conveyor Drives ^{(1) (4) (5)}

Description	Part Number	Weight lbs.
TA2115SCA Adapter & Hardware Kit ⁽²⁾	902070	19.2
TA2115SCP Adjustable Packing Kit ⁽³⁾	902071	1.2
TA2115SCS x 1-1/2 Drive Shaft	902072	15.4
TA2115SCS x 2 Drive Shaft	902073	18.6
TA2115SCS x 2-7/16 Drive Shaft	902074	23.3
TA2115SCS x 3 Drive Shaft	902075	29.5
TA2115SCS x 1-1/2 Stainless Steel Drive Shaft	902080	15.4
TA2115SCS x 2 Stainless Steel Drive Shaft	902081	18.6
TA2115SCS x 2-7/16 Stainless Steel Drive Shaft	902082	23.3
TA2115SCS x 3 Stainless Steel Drive Shaft	902083	29.5

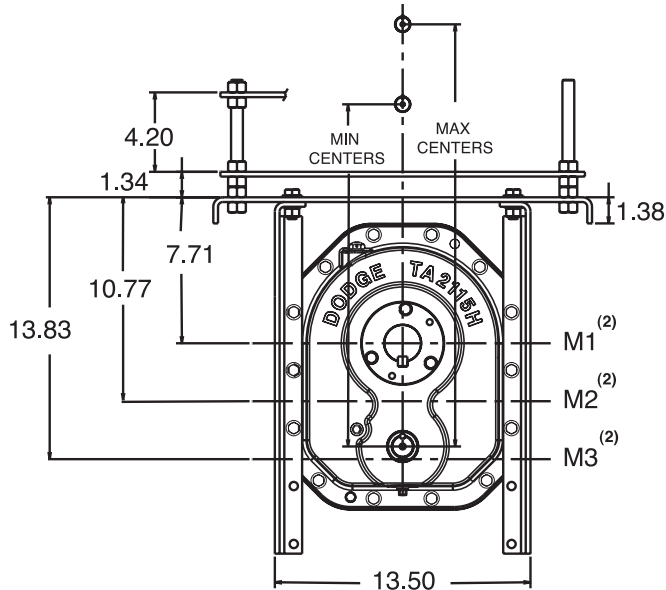
- (1) See page G1-51 for Belt Guard for Screw Conveyor Drive applications
- (2) SCA Adapter & Hardware Kit includes adapter, mounting wedge, keeper plate, key, seals and hardware
- (3) SCP Adjustable Packing Kit consists of flange, mounting hardware and braided packing seals
- (4) SCS Drive Shaft is a shaft only. Hardware is stocked with the adapter & hardware kit
- (5) A complete TA II Screw Conveyor Drive includes a TA II Reducer, SCA Adapter & Hardware Kit and SCS Drive Shaft. The SCP Adjustable Packing Kit is an optional accessory.



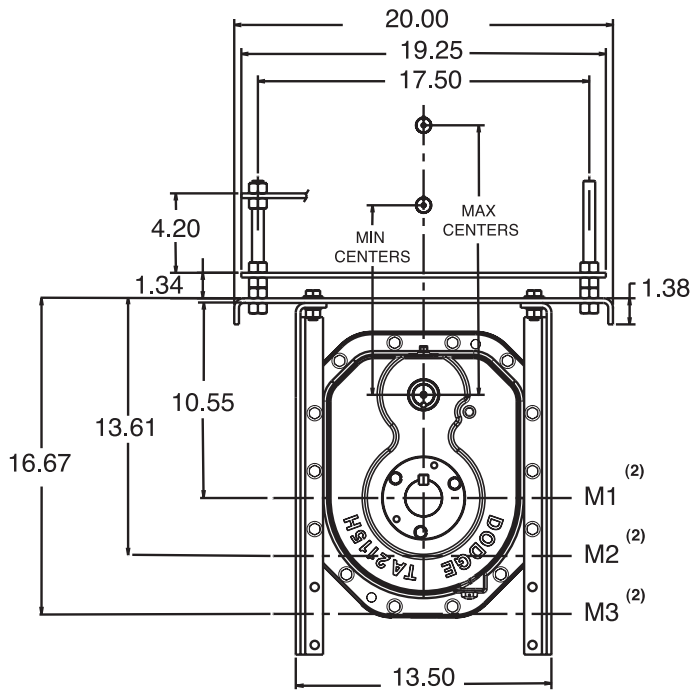
SELECTION/DIMENSIONS

TORQUE-ARM II Shaft Mount Speed Reducers

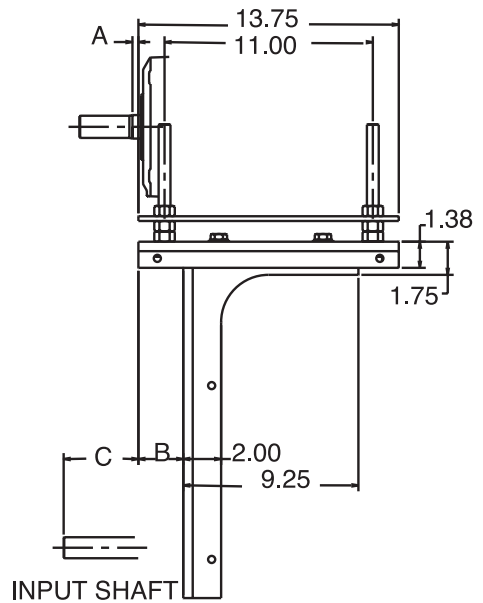
Motor Mount Dimensions - TA2115H, Position B & D



POSITION B



POSITION D





SELECTION/DIMENSIONS

TORQUE-ARM II Shaft Mount Speed Reducers

Motor Mount Dimensions - TA2115H, Position B & D ⁽¹⁾

Mounting	Lateral Adjustment				Motor Mount Height ⁽²⁾	Motor Frame					
						56			143T & 145T		
	B Min	B Max	C Min	C Max		A	Centers		A	Centers	
Min					Max		Min	Max			
Position B	0.19	3.61	2.32	5.74	M1	0.78	18.5	22.2	1.22	18.5	22.2
					M2		21.6	25.3		21.6	25.3
					M3		24.6	28.3		24.6	28.3
Position D	0.19	3.61	2.32	5.74	M1	0.78	10.4	14.1	1.22	10.4	14.1
					M2		13.5	17.2		13.5	17.2
					M3		16.6	20.3		16.6	20.3

Mounting	Motor Mount Height ⁽²⁾	Motor Frame								
		182T & 184T			213T & 215T			254T & 256T		
		A	Centers		A	Centers		A	Centers	
			Min	Max		Min	Max		Min	Max
Position B	M1	1.37	19.5	23.2	1.55	20.3	24.0	1.56	21.3	25.0
	M2		22.6	26.3		23.3	27.0		24.3	28.0
	M3		25.6	29.3		26.4	30.1		27.4	31.1
Position D	M1	1.37	11.4	15.1	1.55	12.2	15.9	1.56	13.2	16.9
	M2		14.5	18.2		15.3	19.0		16.3	20.0
	M3		17.6	21.3		18.3	22.0		19.3	23.0

Note:

Minimum centers contain 0.5" to allow for belt assembly

(1) Motor mount will fit NEMA and IEC frame motors; hardware are inch dimensions

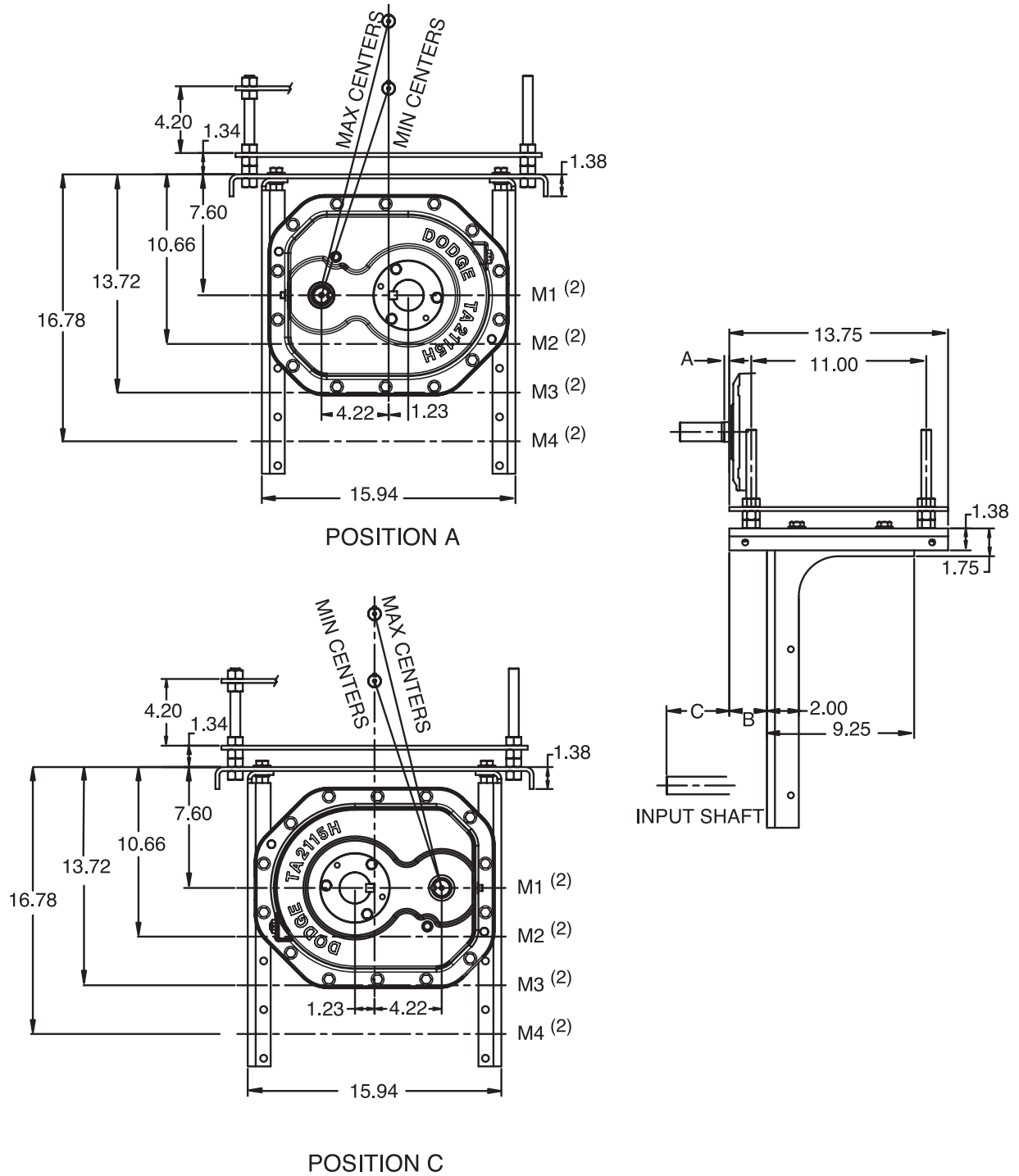
(2) M1, M2, M3 go through output shaft centerline



SELECTION/DIMENSIONS

TORQUE-ARM II Shaft Mount Speed Reducers

Motor Mount Dimensions - TA2115H, Position A & C





SELECTION/DIMENSIONS

TORQUE-ARM II Shaft Mount Speed Reducers

Motor Mount Dimensions - TA2115H, Position A & C ^{(1) (3)}

Mounting	Lateral Adjustment				Motor Mount Height ⁽²⁾	Motor Frame					
						56			143T & 145T		
	B Min	B Max	C Min	C Max		A	Centers		A	Centers	
						Min	Max		Min	Max	
Position A	0.19	3.61	3.39	6.81	M1	0.78	13.6	17.2	1.22	13.6	17.2
					M2		16.6	20.1		16.6	20.1
					M3		19.5	23.1		19.5	23.1
					M4		22.5	26.2		22.5	26.2
Position C	0.19	3.61	3.39	6.81	M1	0.78	13.6	17.2	1.22	13.6	17.2
					M2		16.6	20.1		16.6	20.1
					M3		19.5	23.1		19.5	23.1
					M4		22.5	26.2		22.5	26.2

Mounting	Motor Mount Height ⁽²⁾	Motor Frame								
		182T & 184T			213T & 215T			254T & 256T		
		A	Centers		A	Centers		A	Centers	
		Min	Max		Min	Max		Min	Max	
Position A	M1	1.37	14.6	18.1	1.55	15.3	18.9	1.56	16.3	19.8
	M2		17.5	21.1		18.3	21.9		19.2	22.8
	M3		20.5	24.1		21.2	24.9		22.2	25.9
	M4		23.5	27.1		24.2	27.9		25.2	28.9
Position C	M1	1.37	14.6	18.1	1.55	15.3	18.9	1.56	16.3	19.8
	M2		17.5	21.1		18.3	21.9		19.2	22.8
	M3		20.5	24.1		21.2	24.9		22.2	25.9
	M4		23.5	27.1		24.2	27.9		25.2	28.9

Note:

Minimum centers contain 0.5" to allow for belt assembly

(1) Motor mount will fit NEMA and IEC frame motors; hardware are inch dimensions

(2) M1, M2, M3, M4 go through output shaft centerline

(3) See Table A, below, for minimum "M" mounting position required for specific screw diameter and reducer size

Table A - Screw Conveyor Motor Mount Minimum "M" Mounting Positions ⁽¹⁾

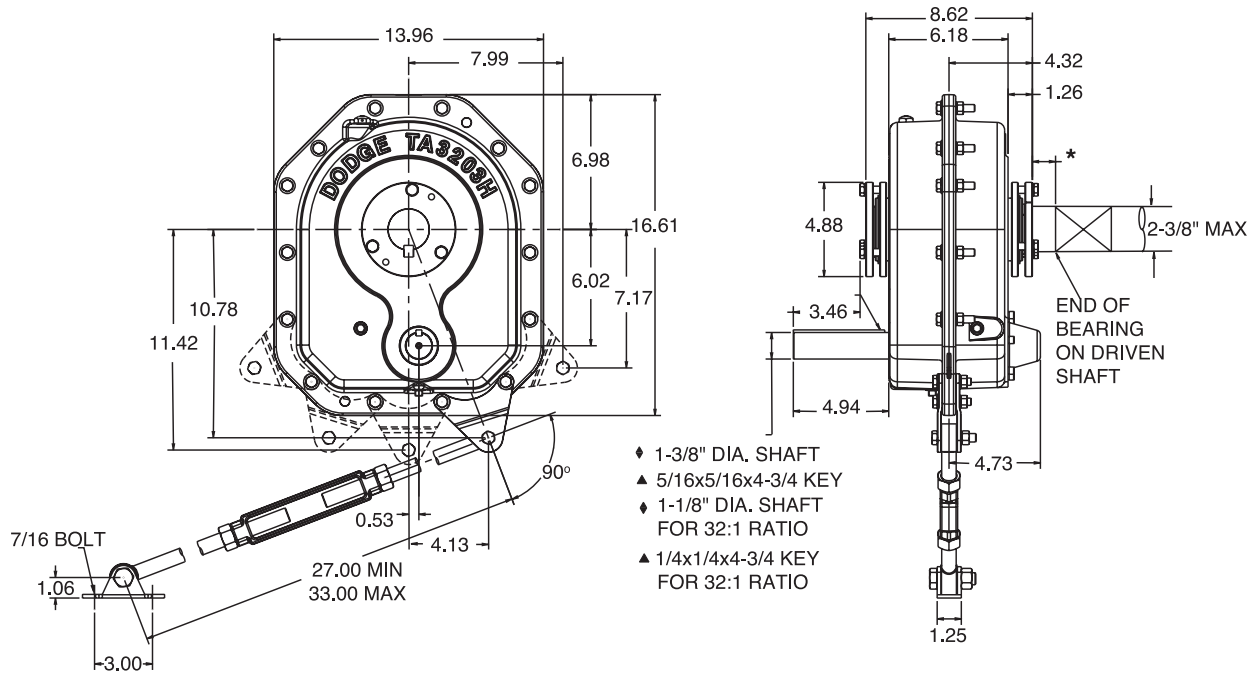
Nominal Screw Dia	Trough Height Dim	Minimum Mounting Position							
		TA0107L	TA1107H	TA2115H	TA3203H	TA4207H	TA5215H	TA6307H	TA7315H
6	7.00	M2	M3	M2	M2	M2	M1	M1	M1
9	9.00	M3	M4	M3	M3	M2	M2	M2	M1
12	10.00	M4	M4	M3	M3	M2	M2	M2	M1
14	11.00	M4	M4	M4	M3	M3	M2	M2	M2
16	11.50	M4	***	M4	M4	M3	M2	M2	M2
18	12.13	***	***	M4	M4	M3	M3	M2	M2
20	13.50	***	***	M4	M4	M3	M3	M3	M2
24	16.50	***	***	***	***	M4	M3	M3	M3

(1) For U Or Flared Trough Ends Per CEMA 300-014



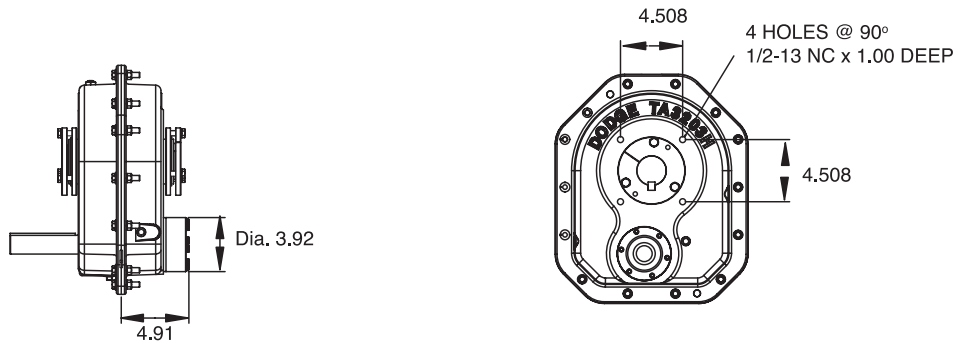
SELECTION/DIMENSIONS

TORQUE-ARM II Shaft Mount Speed Reducers Taper Bushed Reducer - TA3203H, Single And Double Reduction



- ◆ 1-3/8" DIA. SHAFT
- ▲ 5/16x5/16x4-3/4 KEY
- ◆ 1-1/8" DIA. SHAFT FOR 32:1 RATIO
- ▲ 1/4x1/4x4-3/4 KEY FOR 32:1 RATIO

*1.20 MINIMUM DISTANCE FOR BUSHING SCREW REMOVAL



REDUCER WITH BACKSTOP

FLANGE MOUNTING DIMENSIONS



SELECTION/DIMENSIONS

TORQUE-ARM II Shaft Mount Speed Reducers Taper Bushed Reducer - TA3203H, Single And Double Reduction

TA3203H Taper Bushed Reducers ⁽¹⁾ ■

Reducer Size	Part Number	AGMA Code	Actual Ratio	Weight lbs.
TA3203H05	903004	203S05	4.91	107.9
TA3203H09	903003	203D09	9.23	112.0
TA3203H15	903002	203D15	15.07	111.8
TA3203H25	903001	203D25	24.95	111.4
TA3203H32	903000	203D32	32.45	110.3

(1) Reducers are supplied from stock ready for vertical mounting and for flange mounting. Rod assembly is not included with reducer. Order as a separate part number.

■ See page G1-122 for Maximum Bore Straight Bore TA II Reducers

+ Rod Assembly mounting locations are limited to positions shown in drawing.

TA3203H Accessories

Description	Part Number	Weight Lbs
TA3203RA Rod Assembly ⁽¹⁾ +	903109	6.9
TA3203BS Backstop Assembly ⁽²⁾	903102	4.7
TA3203MM Motor Mount Assembly (143-286T) ⁽³⁾	903090	86.7
TA3203BG Belt Guard - Pos. B (143-286T)	903096	65.5
TA3203BG Belt Guard - Pos. C (143-286T) ⁽⁴⁾	903097	67.9
TA3203BG Belt Guard - Pos. D (143-286T)	903099	67.0
TA0-TA3 Vertical Breather Kit	900112	2.0
TA3203H V-Ring Kit	903249	0.2
Filter Breather Plug	430048	0.2
TA3203H Lube Kit	LUBEKITTA3203	10.4

(2) See page G1-128 for input shaft speed necessary for backstop sprag lift-off

(3) Motor Mount will fit NEMA and IEC frame motors; however hardware are inch dimensions

(4) Use Position-C belt guard for TA II reducer in screw conveyor drive applications

TA3203H Tapered Bushing Kits ⁽⁵⁾ (6)

Bushing Size Standard Shaft Bushing Kit	Part Number (7)	Weight lbs.	Shaft Keyseat Required (9) (10)	Bushing Size Short Driven Shaft Bushing Kit ⁽⁸⁾	Part Number	Weight lbs.	Shaft Keyseat Required (9) (10)
TA3203TB x 2-3/8	903020	6.1	5/8 x 5/16 x 8.55	---	---	---	---
TA3203TB x 2-1/4	903021	6.2	1/2 x 1/4 x 8.55	---	---	---	---
TA3203TB x 2-3/16 ▲	903022	6.8	1/2 x 1/4 x 8.55	TA3203TBS x 2-3/16	903030	7.0	1/2 x 1/4 x 5.46
TA3203TB x 2-1/8	903023	7.0	1/2 x 1/4 x 8.55	TA3203TBS x 2-1/8	903031	7.4	1/2 x 1/4 x 5.46
TA3203TB x 2	903024	7.5	1/2 x 1/4 x 8.55	TA3203TBS x 2	903032	8.0	1/2 x 1/4 x 5.46
TA3203TB x 1-15/16	903025	7.8	1/2 x 1/4 x 8.55	TA3203TBS x 1-15/16	903033	8.4	1/2 x 1/4 x 5.46
TA3203TB x 1-7/8	903026	8.0	1/2 x 1/4 x 8.55	TA3203TBS x 1-7/8	903034	8.7	1/2 x 1/4 x 5.46
TA3203TB x 1-3/4	903027	8.0	3/8 x 3/16 x 8.55	TA3203TBS x 1-3/4	903035	9.0	3/8 x 3/16 x 5.46
TA3203TB x 1-11/16	903028	8.2	3/8 x 3/16 x 8.55	TA3203TBS x 1-11/16	903036	9.3	3/8 x 3/16 x 5.46
TA3203TB x 1-5/8	903029	8.4	3/8 x 3/16 x 8.55	TA3203TBS x 1-5/8	903037	9.6	3/8 x 3/16 x 5.46
TA3203TB x 1-1/2	903060	8.8	3/8 x 3/16 x 8.55	TA3203TBS x 1-1/2	903038	9.9	3/8 x 3/16 x 5.46
TA3203TB x 1-7/16	903061	8.8	3/8 x 3/16 x 8.55	TA3203TBS x 1-7/16	903039	10.0	3/8 x 3/16 x 5.46

▲ AGMA maximum bore size

(5) Bushing kit required to mount TA II reducer to driven shaft

(6) Bushing kit is not required to mount TA II reducer on SCS Drive Shaft in a screw conveyor application

(7) Standard Shaft Bushing Kit includes two standard bushings with back-up plates and snap rings; hardware, and key

(8) Short Shaft Bushing Kit includes one standard bushing, one long bushing with insertable wedge; two back-up plates with snap rings; hardware and key. This is an optional bushing for after market, short shaft mounting.

(9) Minimum keyseat and shaft length required to mount reducer with bushing kit

(10) Always check the driven shaft and key for strength



SELECTION/DIMENSIONS

TORQUE-ARM II Shaft Mount Speed Reducers

Screw Conveyor Drive - TA3203H, Single And Double Reduction

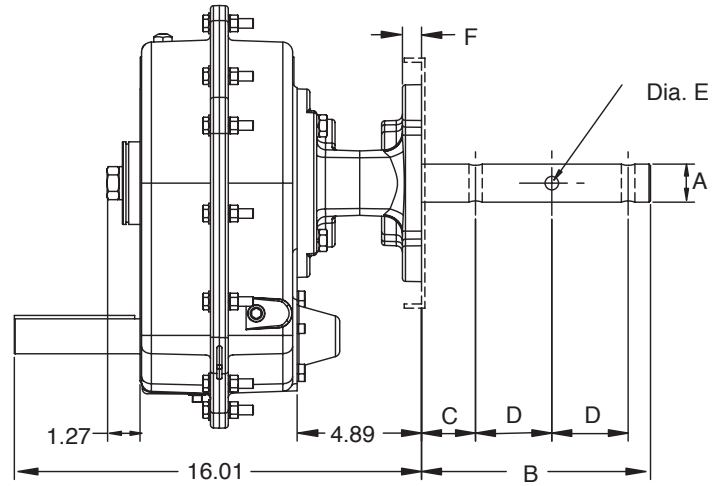
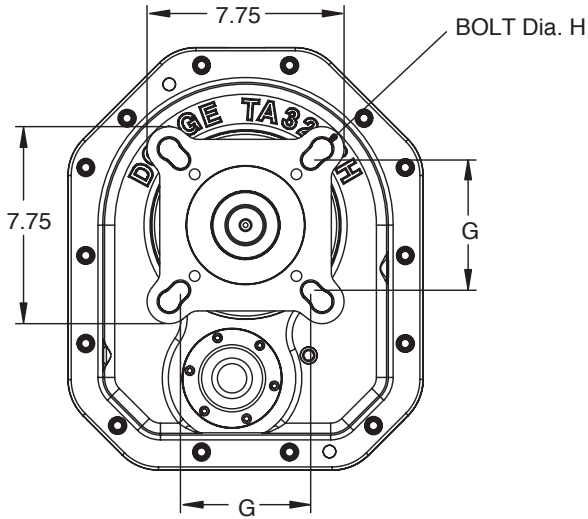
Gearing Reference Guide

TORQUE-ARM II

TORQUE-ARM

MAXUM

TIGEAR-2





SELECTION/DIMENSIONS

TORQUE-ARM II Shaft Mount Speed Reducers Screw Conveyor Drive - TA3203H, Single And Double Reduction

TA3203H Screw Conveyor Drive Dimensions

Screw Dia	Drive Shaft Dia A	Dimensions						
		B	C	D	Hole Dia E	F	G	Bolt Dia H
6, 9	1-1/2	9.00	2.13	3.00	17/32	0.75	4.00	1/2-13
9, 12	2	9.00	2.13	3.00	21/32	0.75	5.13	5/8
12, 14	2-7/16	9.69	2.75	3.00	21/32	0.75	5.63	5/8
12, 14, 16, 18, 20	3	9.88	2.88	3.00	25/32	0.75	6.00	3/4
18, 20, 24	3-7/16	13.13	3.88	4.00	29/32	.75	6.75	3/4

TA3203H Accessories for Screw Conveyor Drives ⁽¹⁾ ⁽⁴⁾ ⁽⁵⁾

Description	Part Number	Weight lbs.
TA3203SCA Adapter & Hardware Kit ⁽²⁾	903070	22.0
TA3203SCP Adjustable Packing Kit ⁽³⁾	903071	1.4
TA3203SCS x 1-1/2 Drive Shaft	903072	19.3
TA3203SCS x 2 Drive Shaft	903073	22.6
TA3203SCS x 2-7/16 Drive Shaft	903074	27.2
TA3203SCS x 3 Drive Shaft	903075	33.6
TA3203SCS x 3-7/16 Drive Shaft	903076	44.8
TA3203SCS x 1-1/2 Stainless Steel Drive Shaft	903080	19.3
TA3203SCS x 2 Stainless Steel Drive Shaft	903081	22.6
TA3203SCS x 2-7/16 Stainless Steel Drive Shaft	903082	27.2
TA3203SCS x 3 Stainless Steel Drive Shaft	903083	33.6
TA3203SCS x 3-7/16 Stainless Steel Drive Shaft	903084	44.8

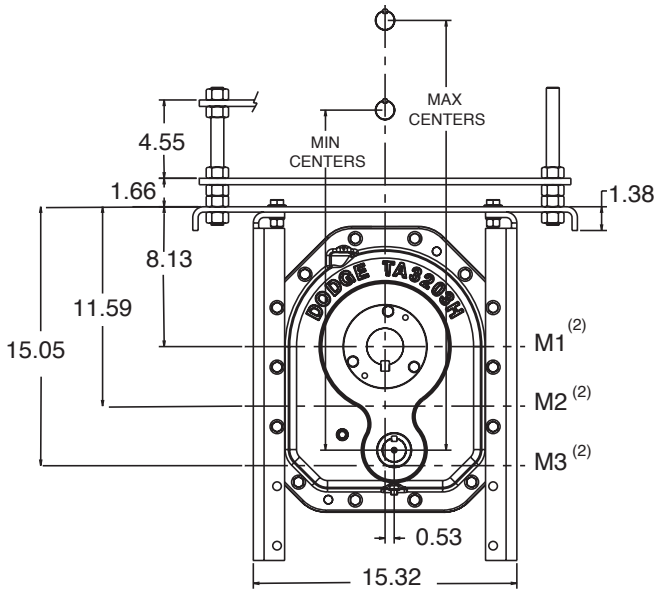
- (1) See page G1-59 for Belt Guard for Screw Conveyor Drive applications
- (2) SCA Adapter & Hardware Kit includes adapter, mounting wedge, keeper plate, key, seals and hardware
- (3) SCP Adjustable Packing Kit consists of flange, mounting hardware and braided packing seals
- (4) SCS Drive Shaft is a shaft only. Hardware is stocked with the adapter & hardware kit
- (5) A complete TA II Screw Conveyor Drive includes a TA II Reducer, SCA Adapter & Hardware Kit and SCS Drive Shaft. The SCP Adjustable Packing Kit is an optional accessory.



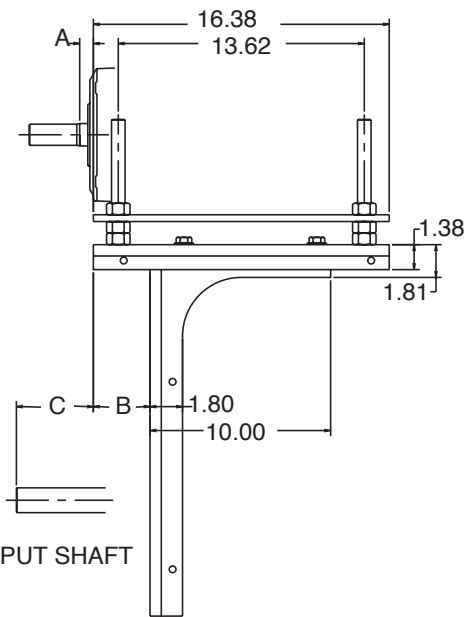
SELECTION/DIMENSIONS

TORQUE-ARM II Shaft Mount Speed Reducers

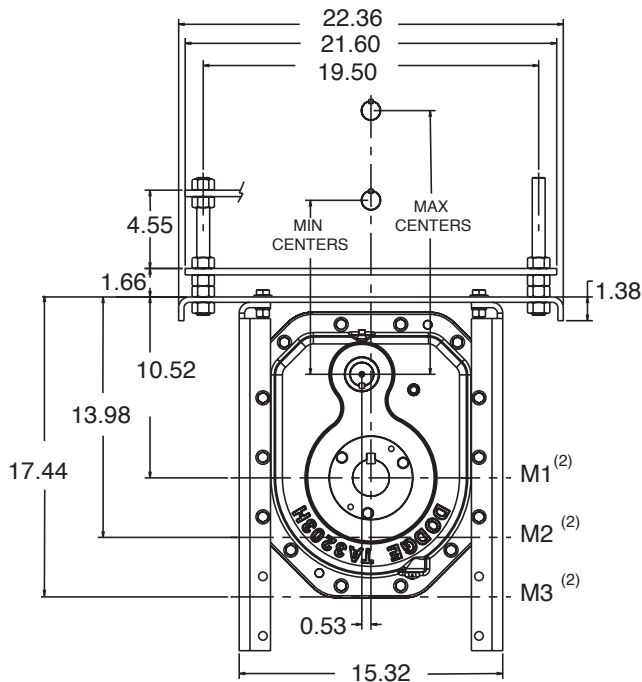
Motor Mount Dimensions - TA3203H, Position B & D



POSITION B



INPUT SHAFT



POSITION D



SELECTION/DIMENSIONS

TORQUE-ARM II Shaft Mount Speed Reducers

Motor Mount Dimensions - TA3203H, Position B & D ⁽¹⁾

Mounting	Lateral Adjustment				Motor Mount Height ⁽²⁾	Motor Frame					
						143T & 145T			182T & 184T		
	B Min	B Max	C Min	C Max		A	Centers		A	Centers	
Min					Max		Min	Max			
Position B	0.04	5.34	2.06	7.36	M1	1.22	19.8	23.9	1.37	20.8	24.9
					M2		23.3	27.3		24.3	28.3
					M3		26.7	30.8		27.7	31.8
Position D	0.04	5.34	2.06	7.36	M1	1.22	10.2	14.2	1.37	11.2	15.2
					M2		13.6	17.7		14.6	18.7
					M3		17.1	21.1		18.1	22.1

Mounting	Motor Mount Height ⁽²⁾	Motor Frame								
		213T & 215T			254T & 256T			284T & 286T		
		A	Centers		A	Centers		A	Centers	
Min	Max		Min	Max		Min	Max			
Position B	M1	1.55	21.6	25.6	1.56	22.6	26.6	1.16	23.3	27.4
	M2		25.0	29.1		26.0	30.1		26.8	30.8
	M3		28.5	32.5		29.5	33.5		30.2	34.3
Position D	M1	1.55	11.9	16.0	1.56	12.9	17.0	1.16	13.7	17.7
	M2		15.4	19.4		16.4	20.4		17.1	21.2
	M3		18.8	22.9		19.8	23.9		20.6	24.6

Note:

Minimum centers contain 0.5" to allow for belt assembly

(1) Motor mount will fit NEMA and IEC frame motors; hardware are inch dimensions

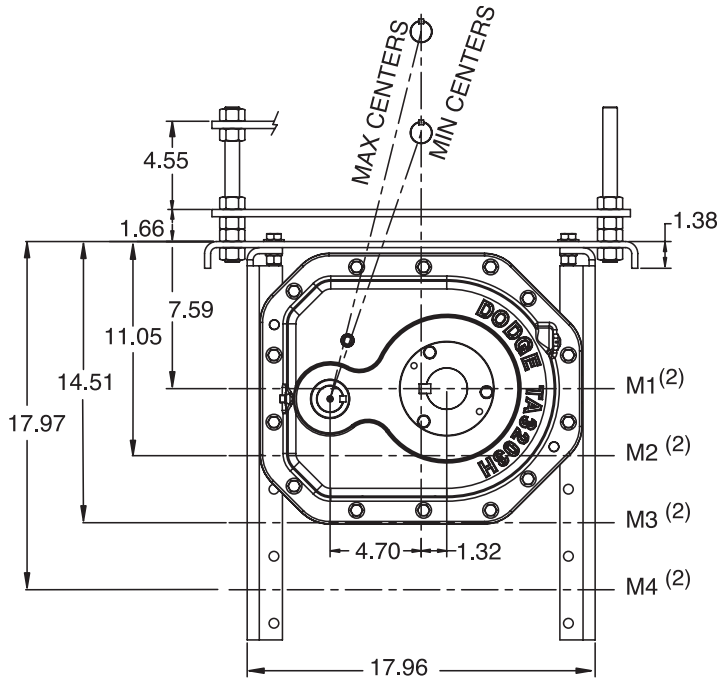
(2) M1, M2, M3 go through output shaft centerline



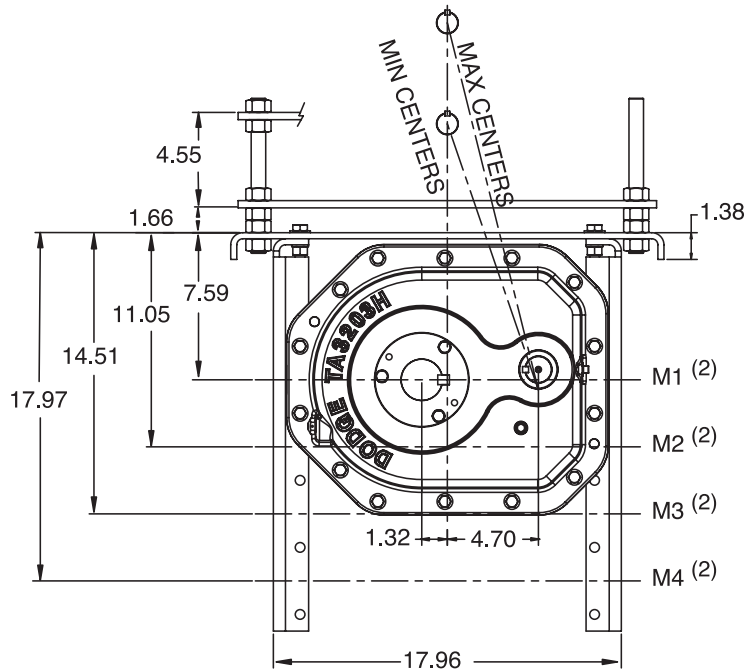
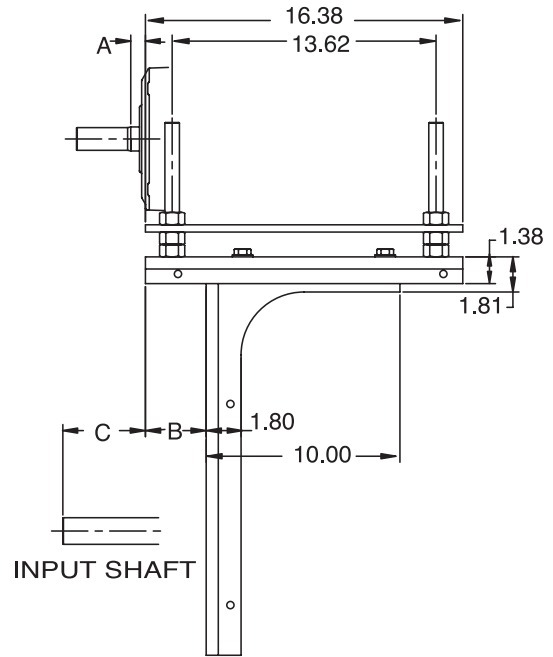
SELECTION/DIMENSIONS

TORQUE-ARM II Shaft Mount Speed Reducers

Motor Mount Dimensions - TA3203H, Position A & C



POSITION A



POSITION C



SELECTION/DIMENSIONS

TORQUE-ARM II Shaft Mount Speed Reducers

Motor Mount Dimensions - TA3203H, Position A & C ^{(1) (3)}

Mounting	Lateral Adjustment				Motor Mount Height ⁽²⁾	Motor Frame					
						143T & 145T			182T & 184T		
	B Min	B Max	C Min	C Max		A	Centers		A	Centers	
						Min	Max		Min	Max	
Position A	0.04	5.34	3.07	8.37	M1	1.22	14.6	18.4	1.37	15.5	19.4
					M2		17.9	21.8		18.9	22.8
					M3		21.2	25.2		22.2	26.2
					M4		24.6	28.6		25.6	29.6
Position C	0.04	5.34	3.07	8.37	M1	1.22	13.6	17.4	1.37	14.5	18.4
					M2		16.9	20.8		17.8	21.7
					M3		20.2	24.2		21.2	25.1
					M4		23.6	27.6		24.6	28.5

Mounting	Motor Mount Height ⁽²⁾	Motor Frame								
		213T & 215T			254T & 256T			284T & 286T		
		A	Centers		A	Centers		A	Centers	
		Min	Max		Min	Max		Min	Max	
Position A	M1	1.55	16.2	20.1	1.56	17.2	21.1	1.16	17.9	21.8
	M2		19.6	23.5		20.5	24.5		21.3	25.2
	M3		22.9	26.9		23.9	27.9		24.7	28.6
	M4		26.3	30.3		27.3	31.3		28.1	32.1
Position C	M1	1.55	15.2	19.1	1.56	16.2	20.1	1.16	16.9	20.8
	M2		18.6	22.5		19.5	23.5		20.2	24.2
	M3		21.9	25.9		22.9	26.9		23.6	27.6
	M4		25.3	29.3		26.3	30.3		27.0	31.0

Note:

Minimum centers contain 0.5" to allow for belt assembly

(1) Motor mount will fit NEMA and IEC frame motors; hardware are inch dimensions

(2) M1, M2, M3, M4 go through output shaft centerline

(3) See Table A, below, for minimum "M" mounting position required for specific screw diameter and reducer size

Table A - Screw Conveyor Motor Mount Minimum "M" Mounting Positions ⁽¹⁾

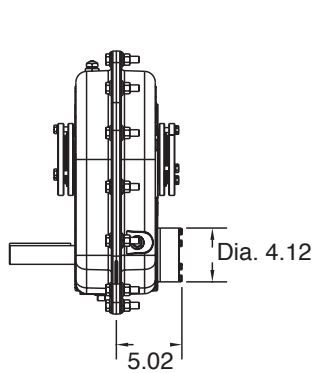
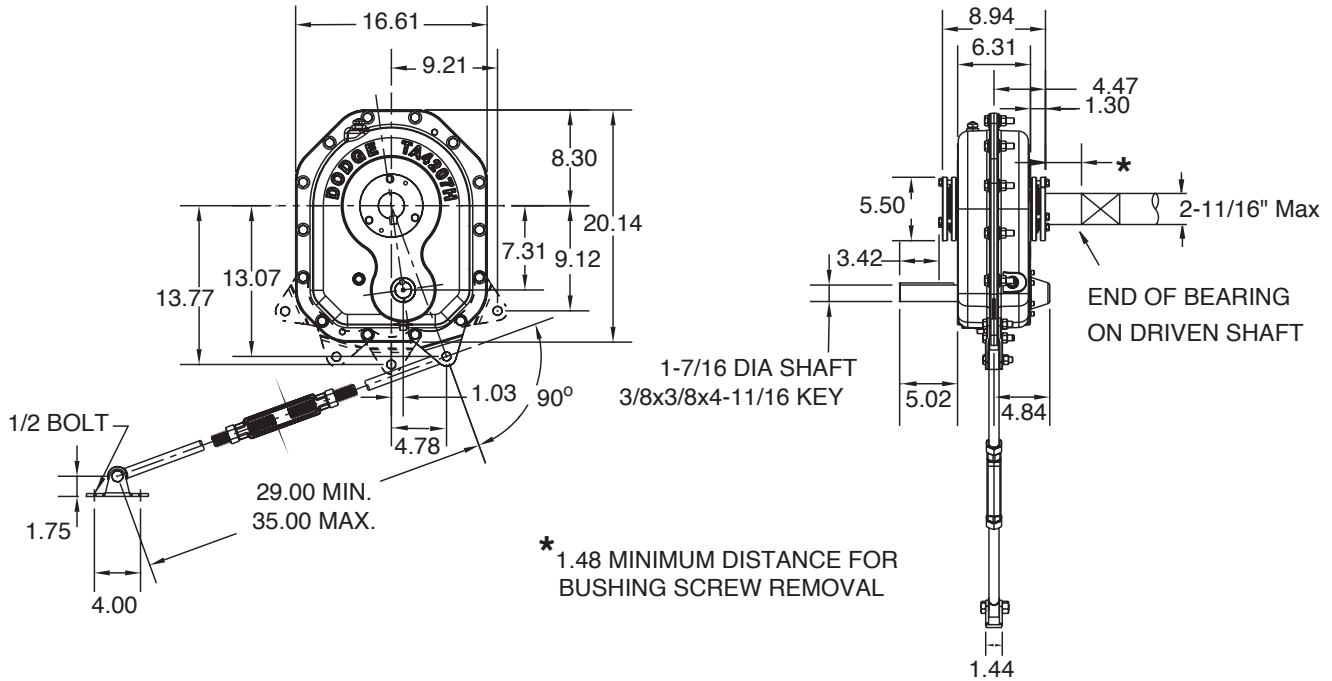
Nominal Screw Dia	Trough Height Dim	Minimum Mounting Position							
		TA0107L	TA1107H	TA2115H	TA3203H	TA4207H	TA5215H	TA6307H	TA7315H
6	7.00	M2	M3	M2	M2	M2	M1	M1	M1
9	9.00	M3	M4	M3	M3	M2	M2	M2	M1
12	10.00	M4	M4	M3	M3	M2	M2	M2	M1
14	11.00	M4	M4	M4	M3	M3	M2	M2	M2
16	11.50	M4	***	M4	M4	M3	M2	M2	M2
18	12.13	***	***	M4	M4	M3	M3	M2	M2
20	13.50	***	***	M4	M4	M3	M3	M3	M2
24	16.50	***	***	***	***	M4	M3	M3	M3

(1) For U Or Flared Trough Ends Per CEMA 300-014

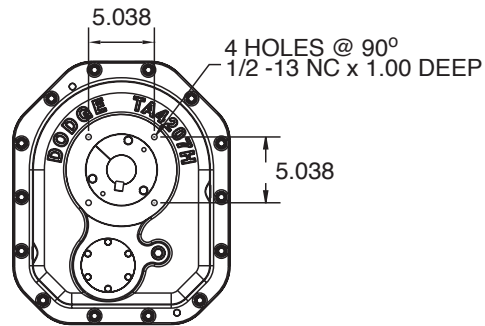


SELECTION/DIMENSIONS

TORQUE-ARM II Shaft Mount Speed Reducers Taper Bushed Reducers - TA4207H, Single And Double Reduction



REDUCER WITH BACKSTOP



FLANGE MOUNTING DIMENSIONS



SELECTION/DIMENSIONS

TORQUE-ARM II Shaft Mount Speed Reducers

Taper Bushed Reducers - TA4207H, Single And Double Reduction

TA4207H Taper Bushed Reducers ⁽¹⁾ ■

Reducer Size	Part Number	AGMA Code	Actual Ratio	Weight lbs.
TA4207H05	904004	207S05	5.00	178.5
TA4207H09	904003	207D09	9.23	187.1
TA4207H15	904002	207D15	15.00	186.7
TA4207H25	904001	207D25	25.13	186.0
TA4207H40	904000	207D40	39.11	185.4

(1) Reducers are supplied from stock ready for vertical mounting and for flange mounting. Rod assembly is not included with reducer. Order as a separate part number.

■ See page G1-122 for Maximum Bore Straight Bore TA II Reducers

+ Rod Assembly mounting locations are limited to positions shown in drawing

TA4207H Accessories

Description	Part Number	Weight lbs.
TA4207RA Rod Assembly ⁽¹⁾ +	904109	10.6
TA4207BS Backstop Assembly ⁽²⁾	904102	5.2
TA4207BS 40:1 Backstop Assembly ⁽²⁾	904103	5.2
TA4207MM Motor Mount Assembly (143-326T) ⁽³⁾	904090	114.3
TA4207BG Belt Guard - Pos. B (143-326T)	904096	79.6
TA4207BG Belt Guard - Pos. C (143-326T) ⁽⁴⁾	904097	82.7
TA4207BG Belt Guard - Pos. D (143-326T)	904099	80.6
TA4207CF Cooling Fan Assembly ●	904106	2.0
TA4-TA12 Vertical Breather Kit	904112	3.0
TA4207H V-Ring Kit	904249	0.3
Filter Breather Assy	430049	0.2
TA4207H Lube Kit	LUBEKITA4207	16.2

(2) See page G1-128 for input shaft speed necessary for backstop sprag lift-off

(3) Motor Mount will fit NEMA and IEC frame motors; however hardware are inch dimensions

(4) Use Position-C belt guard for TA II reducer in screw conveyor drive applications

● See page G1-120 for cooling fan dimensions

TA4207H Tapered Bushing Kits ⁽⁵⁾ (6)

Bushing Size Standard Shaft Bushing Kit	Part Number (7)	Weight lbs.	Shaft Keyseat Required (9) (10)	Bushing Size	Part Number	Weight lbs.	Shaft Keyseat Required (9) (10)
				Short Shaft Bushing Kit ⁽⁸⁾			
TA4207TB x 2-11/16	904020	9.4	5/8 x 5/16 x 8.93	---	---	---	---
TA4207TB x 2-1/2	904021	10.6	5/8 x 5/16 x 8.93	---	---	---	---
TA4207TB x 2-7/16 ▲	904022	10.8	5/8 x 5/16 x 8.93	TA4207TBS x 2-7/16	904032	11.3	5/8 x 5/16 x 5.65
TA4207TB x 2-3/8	904023	11.3	5/8 x 5/16 x 8.93	TA4207TBS x 2-3/8	904033	11.8	5/8 x 5/16 x 5.65
TA4207TB x 2-1/4	904024	11.5	1/2 x 1/4 x 8.93	TA4207TBS x 2-1/4	904034	12.4	1/2 x 1/4 x 5.65
TA4207TB x 2-3/16	904025	11.8	1/2 x 1/4 x 8.93	TA4207TBS x 2-3/16	904035	10.8	1/2 x 1/4 x 5.65
TA4207TB x 2-1/8	904026	12.2	1/2 x 1/4 x 8.93	TA4207TBS x 2-1/8	904036	13.3	1/2 x 1/4 x 5.65
TA4207TB x 2	904027	12.6	1/2 x 1/4 x 8.93	TA4207TBS x 2	904037	13.9	1/2 x 1/4 x 5.65
TA4207TB x 1-15/16	904028	13.0	1/2 x 1/4 x 8.93	TA4207TBS x 1-15/16	904038	14.3	1/2 x 1/4 x 5.65
TA4207TB x 1-7/8	904029	13.2	1/2 x 1/4 x 8.93	TA4207TBS x 1-7/8	904039	14.6	1/2 x 1/4 x 5.65
TA4207TB x 1-3/4	904030	13.3	3/8 x 3/16 x 8.93	TA4207TBS x 1-3/4	904040	15.0	3/8 x 3/16 x 5.65
TA4207TB x 1-11/16	904031	13.5	3/8 x 3/16 x 8.93	TA4207TBS x 1-11/16	904041	15.3	3/8 x 3/16 x 5.65

▲ AGMA maximum bore size

(5) Bushing kit required to mount TA II reducer to driven shaft

(6) Bushing kit is not required to mount TA II reducer on SCS Drive Shaft in a screw conveyor application

(7) Standard Shaft Bushing Kit includes two standard bushings with back-up plates and snap rings; hardware, and key

(8) Short Shaft Bushing Kit includes one standard bushing, one long bushing with insertable wedge; two back-up plates with snap rings; hardware and key. This is an optional bushing for after market, short shaft mounting.

(9) Minimum keyseat and shaft length required to mount reducer with bushing kit

(10) Always check the driven shaft and key for strength



SELECTION/DIMENSIONS

TORQUE-ARM II Shaft Mount Speed Reducers

Screw Conveyor Drive - TA4207H, Single And Double Reduction

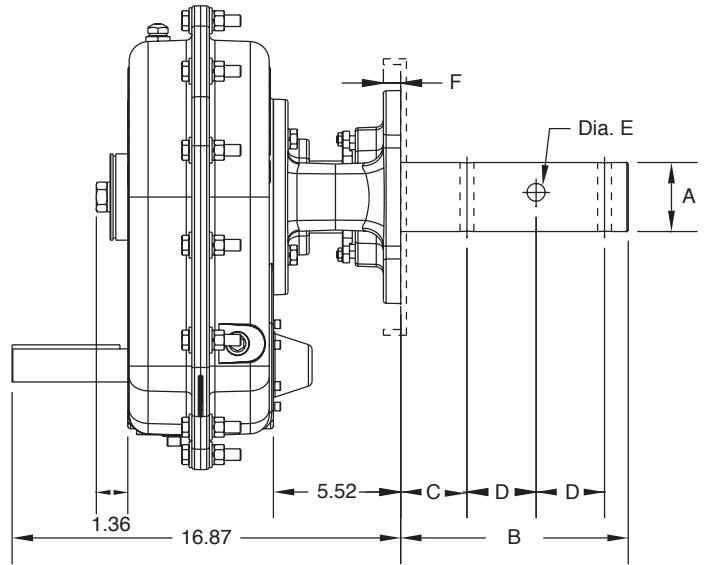
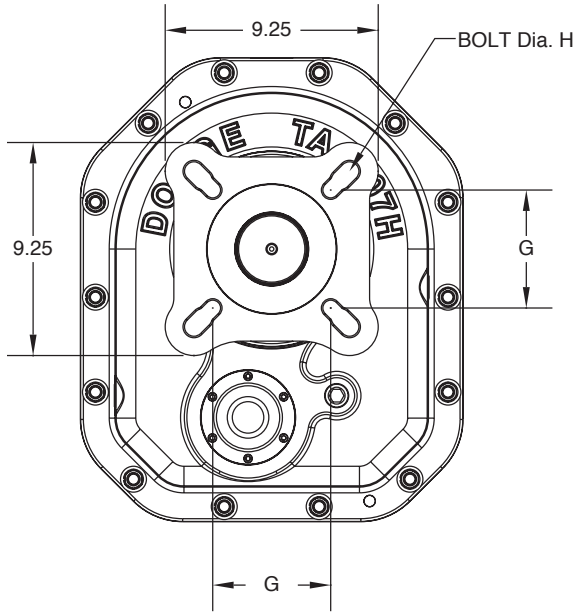
Gearing Reference Guide

TORQUE-ARM II

TORQUE-ARM

MAXUM

TIGEAR-2





SELECTION/DIMENSIONS

TORQUE-ARM II Shaft Mount Speed Reducers Screw Conveyor Drive - TA4207H, Single And Double Reduction

TA4207H Screw Conveyor Drive Dimensions

Screw Dia	Drive Shaft Dia A	Dimensions						
		B	C	D	Hole Dia E	F	G	Bolt Dia H
9, 12	2	9.00	2.13	3.00	21/32	0.75	5.13	5/8
12, 14	2-7/16	9.69	2.75	3.00	21/32	0.75	5.63	5/8
12, 14, 16, 18, 20	3	9.88	2.88	3.00	25/32	0.75	6.00	3/4
18, 20, 24	3-7/16	13.13	3.88	4.00	29/32	0.75	6.75	3/4

TA4207H Accessories for Screw Conveyor Drives (1) (4) (5)

Description	Part Number	Weight lbs.
TA4207SCA Adapter & Hardware Kit ⁽²⁾	904070	33.6
TA4207SCP Adjustable Packing Kit ⁽³⁾	904071	2.1
TA4207SCS x 2 Drive Shaft	904073	29.8
TA4207SCS x 2-7/16 Drive Shaft	904074	34.5
TA4207SCS x 3 Drive Shaft	904075	40.9
TA4207SCS x 3-7/16 Drive Shaft	904076	54.7
TA4207SCS x 2 Stainless Steel Drive Shaft	904081	29.8
TA4207SCS x 2-7/16 Stainless Steel Drive Shaft	904082	34.5
TA4207SCS x 3 Stainless Steel Drive Shaft	904083	40.9
TA4207SCS x 3-7/16 Stainless Steel Drive Shaft	904084	54.7

- (1) See page G1-67 for Belt Guard for Screw Conveyor Drive applications
- (2) SCA Adapter & Hardware Kit includes adapter, mounting wedge, keeper plate, key, seals and hardware
- (3) SCP Adjustable Packing Kit consists of flange, mounting hardware and braided packing seals
- (4) SCS Drive Shaft is a shaft only. Hardware is stocked with the adapter & hardware kit
- (5) A complete TA II Screw Conveyor Drive includes a TA II Reducer, SCA Adapter & Hardware Kit and SCS Drive Shaft. The SCP Adjustable Packing Kit is an optional accessory.



SELECTION/DIMENSIONS

TORQUE-ARM II Shaft Mount Speed Reducers

Motor Mount Dimensions - TA4207H, Position B & D

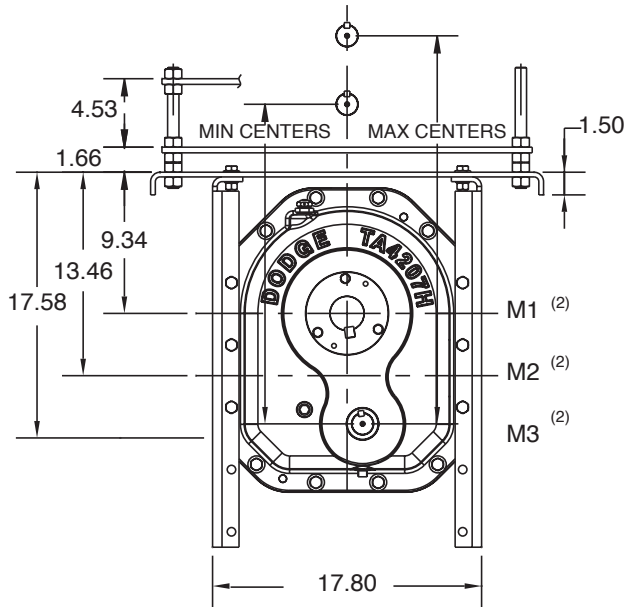
Gearing Reference Guide

TORQUE-ARM II

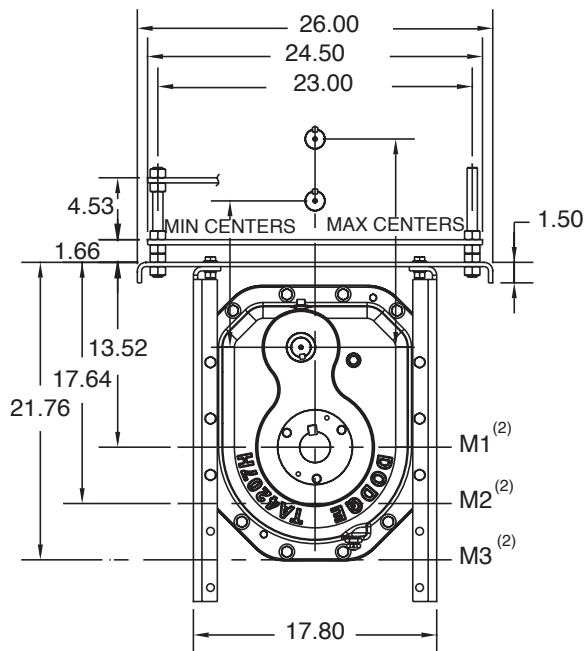
TORQUE-ARM

MAXUM

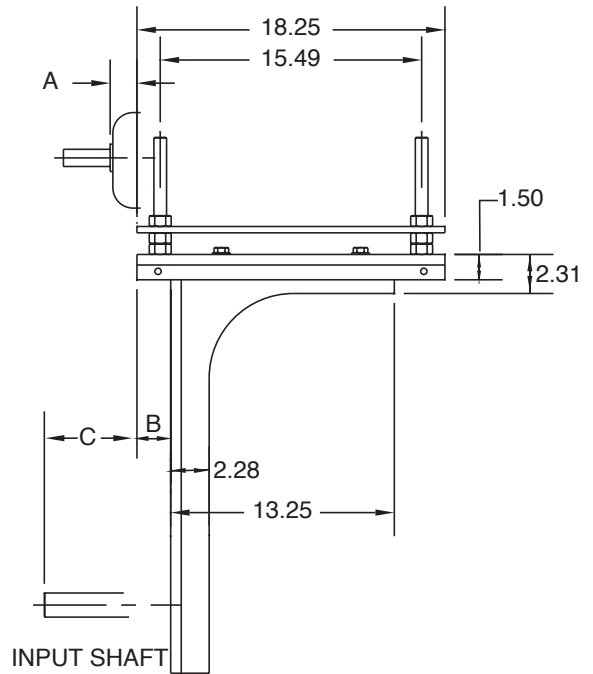
TIGEAR-2



POSITION B



POSITION D





SELECTION/DIMENSIONS

TORQUE-ARM II Shaft Mount Speed Reducers

Motor Mount Dimensions - TA4207H, Position B & D ⁽¹⁾

Mounting	Lateral Adjustment				Motor Mount Height (2)	Motor Frame								
						143T & 145T			182T & 184T		213T & 215T			
	B Min	B Max	C Min	C Max		A	Centers		A	Centers		A	Centers	
							Min	Max		Min	Max		Min	Max
Position B	-0.21	4.21	3.28	7.70	M1	1.22	22.6	26.7	1.37	23.6	27.7	1.55	24.4	28.4
					M2		26.8	30.8		27.8	31.8		28.5	32.5
					M3		30.9	34.9		31.9	35.9		32.6	36.7
Position D	-0.21	4.21	3.28	7.70	M1	1.22	12.2	16.2	1.37	13.2	17.2	1.55	14.0	18.0
					M2		16.3	20.4		17.3	21.4		18.1	22.1
					M3		20.4	24.5		21.4	25.5		22.2	26.2

Mounting	Lateral Adjustment				Motor Mount Height (2)	Motor Frame								
						254T & 256T			284T & 286T		324T & 326T			
	B Min	B Max	C Min	C Max		A	Centers		A	Centers		A	Centers	
							Min	Max		Min	Max		Min	Max
Position B	-0.21	4.21	3.28	7.70	M1	1.56	25.4	29.4	1.16	26.1	30.2	0.38	27.1	31.2
					M2		29.5	33.5		30.3	34.3		31.3	35.3
					M3		33.6	37.7		34.4	38.4		35.4	39.4
Position D	-0.21	4.21	3.28	7.70	M1	1.56	15.0	19.0	1.16	15.7	19.7	0.38	16.7	20.7
					M2		19.1	23.1		19.8	23.9		20.8	24.9
					M3		23.2	27.2		23.9	28.0		24.9	29.0

Notes:

Minimum centers contains 0.5" to allow for belt assembly

(1) Motor mount will fit NEMA and IEC frame motors; hardware are inch dimensions

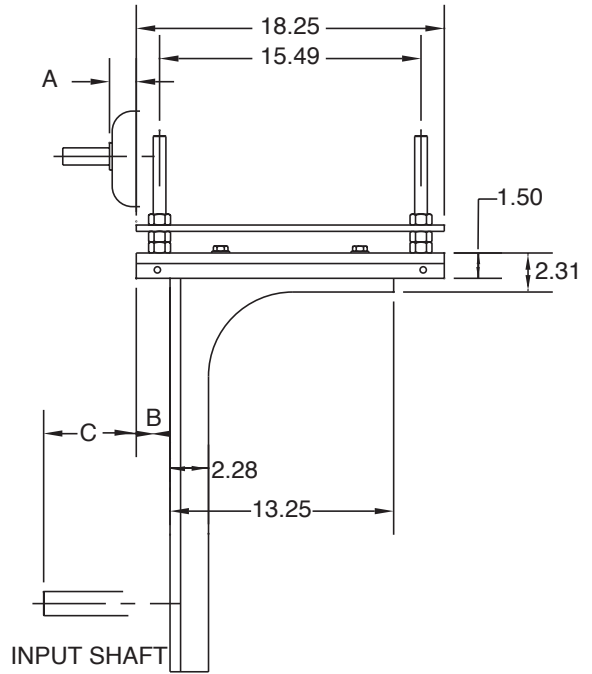
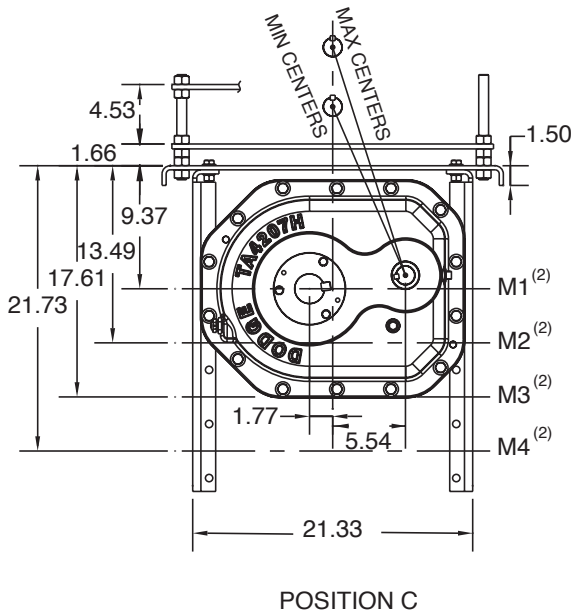
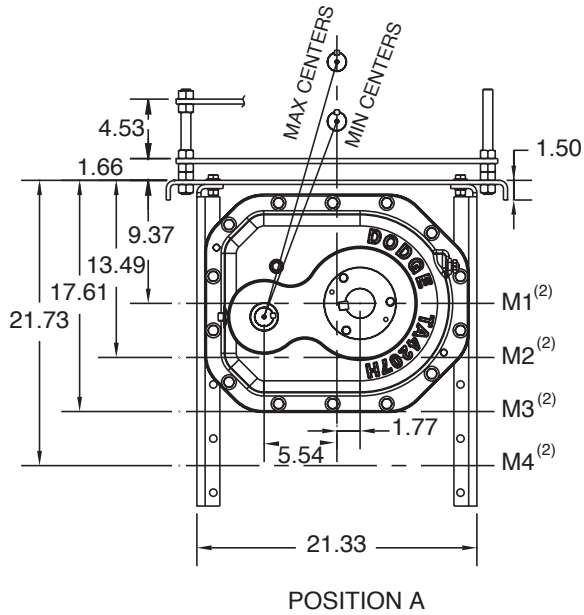
(2) M1, M2, M3 go through output shaft centerline



SELECTION/DIMENSIONS

TORQUE-ARM II Shaft Mount Speed Reducers

Motor Mount Dimensions - TA4207H, Position A & C





SELECTION/DIMENSIONS

TORQUE-ARM II Shaft Mount Speed Reducers

Motor Mount Dimensions - TA4207H, Position A & C ^{(1) (3)}

Mounting	Lateral Adjustment				Motor Mount Height ⁽²⁾	Motor Frame								
						143T & 145T		182T & 184T		213T & 215T				
	B Min	B Max	C Min	C Max		A	Centers		A	Centers		A	Centers	
					Min	Max	Min	Max	Min	Max	Min	Max		
Position A	-0.21	4.21	4.35	8.77	M1	1.22	17.3	21.1	1.37	18.3	22.1	1.55	19.0	22.8
					M2		21.2	25.1		22.2	26.1		22.9	26.8
					M3		25.2	29.2		26.2	30.2		26.9	30.9
					M4		29.3	33.2		30.2	34.2		31.0	34.9
Position C	-0.21	4.21	4.35	8.77	M1	1.22	15.4	19.2	1.37	16.3	20.1	1.55	17.0	20.8
					M2		19.3	23.1		20.2	24.1		20.9	24.8
					M3		23.2	27.2		24.2	28.1		24.9	28.9
					M4		27.3	31.2		28.2	32.2		29.0	32.9

Mounting	Lateral Adjustment				Motor Mount Height ⁽²⁾	Motor Frame								
						254T & 256T		284T & 286T		324T & 326T				
	B Min	B Max	C Min	C Max		A	Centers		A	Centers		A	Centers	
					Min	Max	Min	Max	Min	Max	Min	Max		
Position A	-0.21	4.21	4.35	8.77	M1	1.56	19.9	23.8	1.16	20.6	24.5	0.38	21.6	25.5
					M2		23.9	27.8		24.6	28.6		25.6	29.5
					M3		27.9	31.9		28.7	32.6		29.6	33.6
					M4		32.0	35.9		32.7	36.7		33.7	37.7
Position C	-0.21	4.21	4.35	8.77	M1	1.56	18.0	21.8	1.16	18.7	22.5	0.38	19.6	23.5
					M2		21.9	25.8		22.6	26.5		23.6	27.5
					M3		25.9	29.9		26.6	30.6		27.6	31.6
					M4		29.9	33.9		30.7	34.6		31.7	35.6

Notes:

Minimum centers contains 0.5" to allow for belt assembly

(1) Motor mount will fit NEMA and IEC frame motors; hardware are inch dimensions

(2) M1, M2, M3, M4 go through output shaft centerline

(3) See Table A, below, for minimum "M" mounting position required for specific screw diameter and reducer size

Table A - Screw Conveyor Motor Mount Minimum "M" Mounting Positions ⁽¹⁾

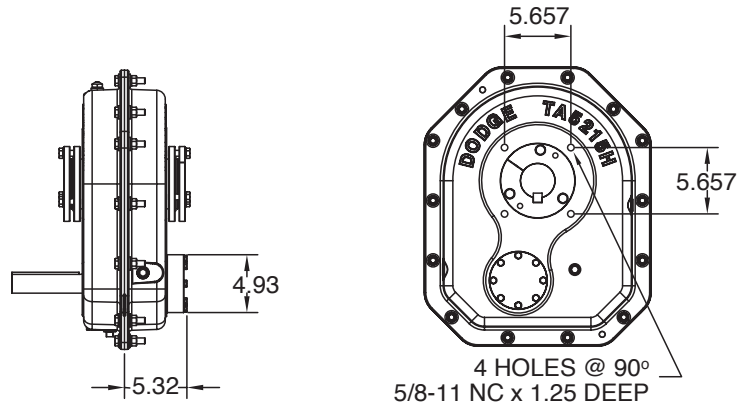
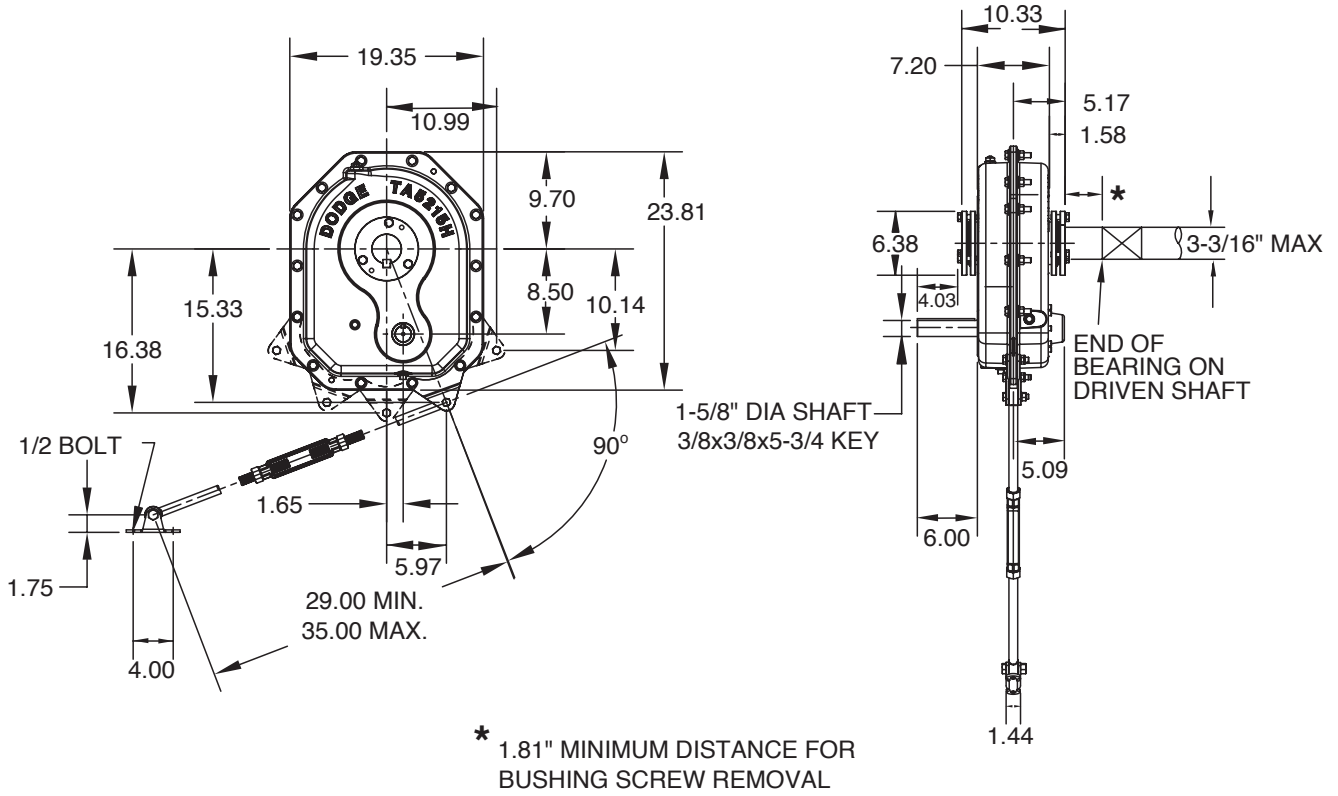
Nominal Screw Dia	Trough Height Dim	Minimum Mounting Position							
		TA0107L	TA1107H	TA2115H	TA3203H	TA4207H	TA5215H	TA6307H	TA7315H
6	7.00	M2	M3	M2	M2	M2	M1	M1	M1
9	9.00	M3	M4	M3	M3	M2	M2	M2	M1
12	10.00	M4	M4	M3	M3	M2	M2	M2	M1
14	11.00	M4	M4	M4	M3	M3	M2	M2	M2
16	11.50	M4	***	M4	M4	M3	M2	M2	M2
18	12.13	***	***	M4	M4	M3	M3	M2	M2
20	13.50	***	***	M4	M4	M3	M3	M3	M2
24	16.50	***	***	***	***	M4	M3	M3	M3

(1) For U Or Flared Trough Ends Per CEMA 300-014



SELECTION/DIMENSIONS

TORQUE-ARM II Shaft Mount Speed Reducers Taper Bushed Reducers - TA5215H, Single And Double Reduction



REDUCER WITH BACKSTOP

FLANGE MOUNTING DIMENSIONS



SELECTION/DIMENSIONS

TORQUE-ARM II Shaft Mount Speed Reducers

Taper Bushed Reducers - TA5215H, Single And Double Reduction

TA5215H Taper Bushed Reducers ⁽¹⁾ ■

Reducer Size	Part Number	AGMA Code	Actual Ratio	Weight lbs.
TA5215H05	905004	215S05	5.11	259.8
TA5215H09	905003	215D09	9.18	274.4
TA5215H15	905002	215D15	14.92	273.9
TA5215H25	905001	215D25	25.00	272.9
TA5215H40	905000	215D40	38.91	272.1

(1) Reducers are supplied from stock ready for vertical mounting and for flange mounting. Rod assembly is not included with reducer. Order as a separate part number.

■ See page G1-122 for Maximum Bore Straight Bore TA II Reducers

+ Rod Assembly mounting locations are limited to positions shown in drawing.

TA5215H Accessories

Description	Part Number	Weight lbs.
TA5215RA Rod Assembly ⁽¹⁾ +	905109	11.0
TA5215BS Backstop Assembly ⁽²⁾	905102	8.3
TA521BS 40:1 Backstop Assembly ⁽²⁾	905103	8.3
TA5215MM Motor Mount Assembly (182-365T) ⁽³⁾	905090	124.8
TA5215BG Belt Guard - Pos. B (182-365T)	905096	101.5
TA5215BG Belt Guard - Pos. C (182-365T) ⁽⁴⁾	905097	105.5
TA5215BG Belt Guard - Pos. D (182-365T)	905099	105.0
TA5215CF Cooling Fan Assembly ●	905106	3.0
TA4-TA12 Vertical Breather Kit	904112	3.0
TA5215H V-Ring Kit	905249	0.3
Filter Breather Kit	430049	0.2
TA5215H Lube Kit	LUBEKITA5215	28.9

(2) See page G1-128 for input shaft speed necessary for backstop sprag lift-off.

(3) Motor Mount will fit NEMA and IEC frame motors; however hardware are inch dimensions.

(4) Use Position C belt guard for TA II reducer in screw conveyor drive applications.

● See page G1-120 for cooling fan dimensions

TA5215H Tapered Bushing Kits ⁽⁵⁾ (6)

Bushing Size Standard Shaft Bushing Kit	Part Number (7)	Weight lbs.	Shaft Keyseat Required (9) (10)	Bushing Size	Part Number	Weight lbs.	Shaft Keyseat Required (9) (10)
				Short Shaft Bushing Kit (8)			
TA5215TB x 3-3/16	905020	13.7	3/4 x 3/8 x 10.34	---	---	---	---
TA5215TB x 3	905021	15.1	3/4 x 3/8 x 10.34	---	---	---	---
TA5215TB x 2-15/16 ▲	905022	15.6	3/4 x 3/8 x 10.34	TA5215TBS x 2-15/16	905033	16.2	3/4 x 3/8 x 6.36
TA5215TB x 2-7/8	905023	16.1	3/4 x 3/8 x 10.34	TA5215TBS x 2-7/8	905034	16.9	3/4 x 3/8 x 6.36
TA5215TB x 2-11/16	905024	16.7	5/8 x 5/16 x 10.34	TA5215TBS x 2-11/16	905035	18.1	5/8 x 5/16 x 6.36
TA5215TB x 2-1/2	905025	17.9	5/8 x 5/16 x 10.34	TA5215TBS x 2-1/2	905036	19.7	5/8 x 5/16 x 6.36
TA5215TB x 2-7/16	905026	18.1	5/8 x 5/16 x 10.34	TA5215TBS x 2-7/16	905037	20.1	5/8 x 5/16 x 6.36
TA5215TB x 2-3/8	905027	18.3	5/8 x 5/16 x 10.34	TA5215TBS x 2-3/8	905038	20.5	5/8 x 5/16 x 6.36
TA5215TB x 2-1/4	905028	18.9	1/2 x 1/4 x 10.34	TA5215TBS x 2-1/4	905039	21.4	1/2 x 1/4 x 6.36
TA5215TB x 2-3/16	905029	19.1	1/2 x 1/4 x 10.34	TA5215TBS x 2-3/16	905040	21.8	1/2 x 1/4 x 6.36
TA5215TB x 2-1/8	905030	19.3	1/2 x 1/4 x 10.34	TA5215TBS x 2-1/8	905041	22.2	1/2 x 1/4 x 6.36
TA5215TB x 2	905031	19.9	1/2 x 1/4 x 10.34	TA5215TBS x 2	905042	23.0	1/2 x 1/4 x 6.36
TA5215TB x 1-15/16	905032	20.1	1/2 x 1/4 x 10.34	TA5215TBS x 1-15/16	905043	23.4	1/2 x 1/4 x 6.36

▲ AGMA maximum bore size

(5) Bushing kit required to mount TA II reducer to driven shaft

(6) Bushing kit is not required to mount TA II reducer on SCS Drive Shaft in a screw conveyor application

(7) Standard Shaft Bushing Kit includes two standard bushings with back-up plates and snap rings; hardware, and key

(8) Short Shaft Bushing Kit includes one standard bushing, one long bushing with insertable wedge; two back-up plates with snap rings; hardware and key. This is an optional bushing for after market, short shaft mounting.

(9) Minimum keyseat and shaft length required to mount reducer with bushing kit

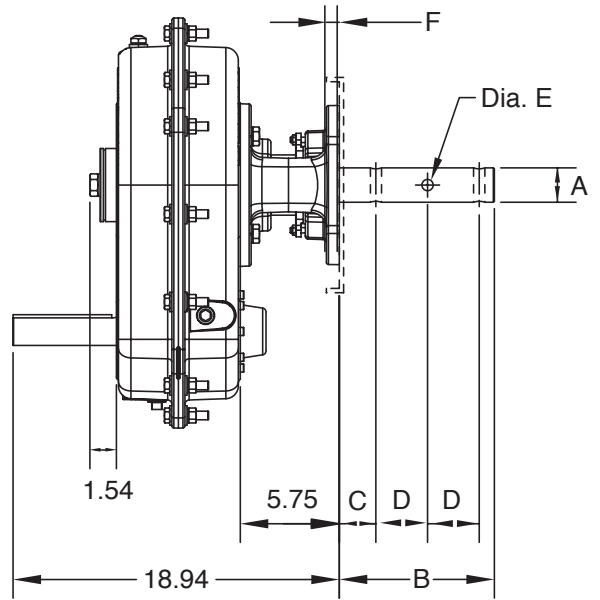
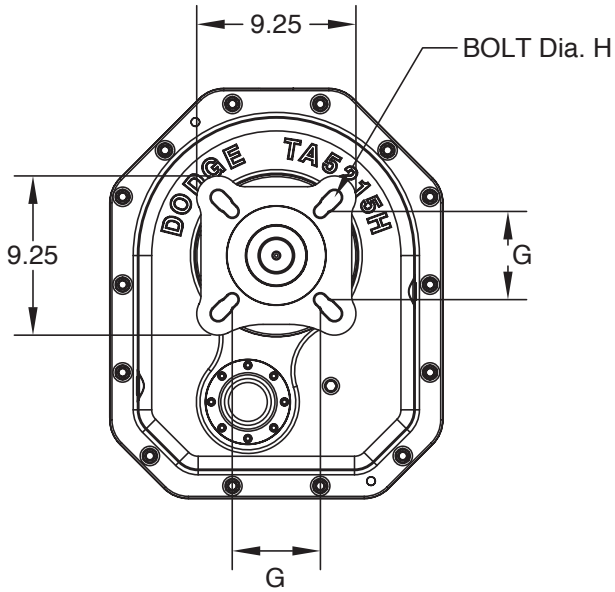
(10) Always check the driven shaft and key for strength



SELECTION/DIMENSIONS

TORQUE-ARM II Shaft Mount Speed Reducers

Screw Conveyor Drive - TA5215H, Single And Double Reduction





SELECTION/DIMENSIONS

TORQUE-ARM II Shaft Mount Speed Reducers Screw Conveyor Drive - TA5215H, Single And Double Reduction

TA5215H Screw Conveyor Drive Dimensions

Screw Dia	Drive Shaft Dia A	Dimensions						
		B	C	D	Hole Dia E	F	G	Bolt Dia H
9, 12	2	9.00	2.13	3.00	21/32	0.75	5.13	5/8
12, 14	2-7/16	9.69	2.75	3.00	21/32	0.75	5.63	5/8
12, 14, 16, 18, 20	3	9.88	2.88	3.00	25/32	0.75	6.00	3/4
18, 20, 24	3-7/16	13.13	3.88	4.00	29/32	0.75	6.75	3/4

TA5215H Accessories for Screw Conveyor Drives ^{(1) (4) (5)}

Description	Part Number	Weight lbs.
TA5215SCA Adapter & Hardware Kit ⁽²⁾	905070	38.4
TA5215SCP Adjustable Packing Kit ⁽³⁾	905071	2.1
TA5215SCS x 2 Drive Shaft	905073	39.0
TA5215SCS x 2-7/16 Drive Shaft	905074	43.6
TA5215SCS x 3 Drive Shaft	905075	50.0
TA5215SCS x 3-7/16 Drive Shaft	905076	63.9
TA5215SCS x 2 Stainless Steel Drive Shaft	905081	39.0
TA5215SCS x 2-7/16 Stainless Steel Drive Shaft	905082	43.6
TA5215SCS x 3 Stainless Steel Drive Shaft	905083	50.0
TA5215SCS x 3-7/16 Stainless Steel Drive Shaft	905084	63.9

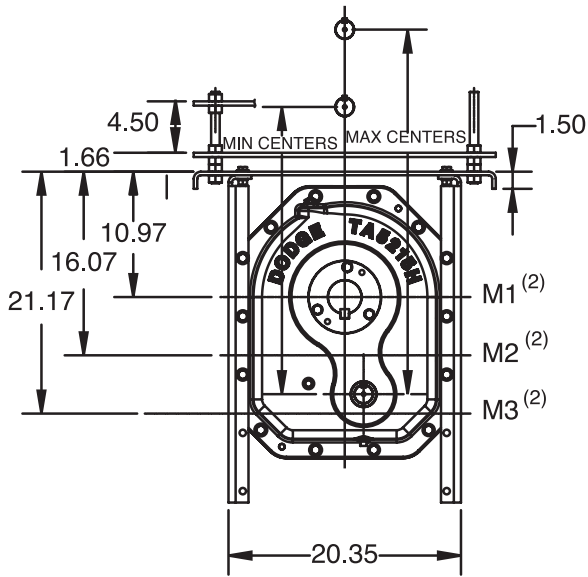
- (1) See page G1-75 for Belt Guard for Screw Conveyor Drive applications
- (2) SCA Adapter & Hardware Kit includes adapter, mounting wedge, keeper plate, key, seals and hardware
- (3) SCP Adjustable Packing Kit consists of flange, mounting hardware and braided packing seals
- (4) SCS Drive Shaft is a shaft only. Hardware is stocked with the adapter & hardware kit
- (5) A complete TA II Screw Conveyor Drive includes a TA II Reducer, SCA Adapter & Hardware Kit and SCS Drive Shaft. The SCP Adjustable Packing Kit is an optional accessory.



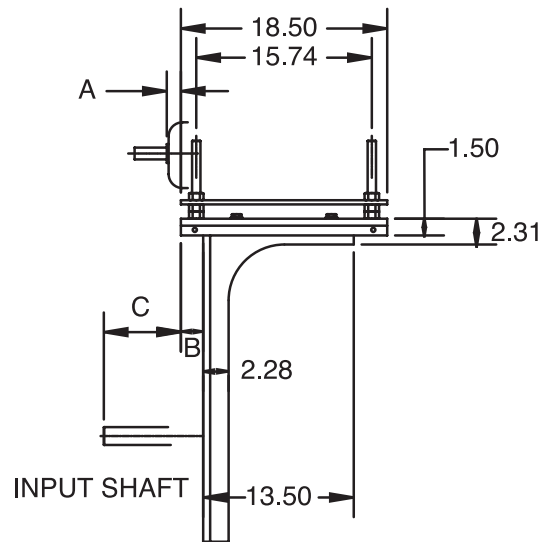
SELECTION/DIMENSIONS

TORQUE-ARM II Shaft Mount Speed Reducers

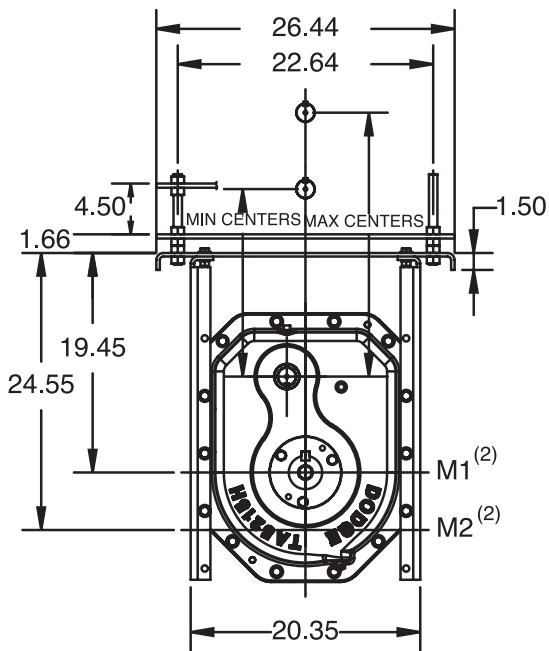
Motor Mount Dimensions - TA5215H, Position B & D



POSITION B



POSITION D



Gearing Reference Guide

TORQUE-ARM II

TORQUE-ARM

MAXUM

TIGEAR-2



SELECTION/DIMENSIONS

TORQUE-ARM II Shaft Mount Speed Reducers

Motor Mount Dimensions - TA5215H, Position B & D ⁽¹⁾

Mounting	Lateral Adjustment				Motor Mount Height ⁽²⁾	Motor Frame								
						182T & 184T			213T & 215T		254T & 256T			
	B Min	B Max	C Min	C Max		A	Centers		A	Centers		A	Centers	
							Min	Max		Min	Max		Min	Max
Position B	-0.21	4.21	4.70	9.12	M1	1.37	26.2	30.3	1.55	26.9	31.1	1.56	27.9	32.1
					M2		31.2	35.3		31.9	36.1		32.9	37.1
					M3		36.2	40.3		36.9	41.1		37.9	42.1
Position D	-0.21	4.21	4.70	9.12	M1	1.37	17.7	21.8	1.55	18.4	22.6	1.56	19.4	23.6
					M2		22.7	26.8		23.4	27.6		24.4	28.6

Mounting	Lateral Adjustment				Motor Mount Height ⁽²⁾	Motor Frame								
						284T & 286T			324T & 326T		364T & 365T			
	B Min	B Max	C Min	C Max		A	Centers		A	Centers		A	Centers	
							Min	Max		Min	Max		Min	Max
Position B	-0.21	4.21	4.70	9.12	M1	1.16	28.7	32.8	0.38	29.7	33.8	1.01	30.7	34.8
					M2		33.7	37.8		34.7	38.8		35.7	39.8
					M3		38.7	42.8		39.7	43.8		40.7	44.8
Position D	-0.21	4.21	4.70	9.12	M1	1.16	20.2	24.3	0.38	21.2	25.3	1.01	22.2	26.3
					M2		25.2	29.3		26.2	30.3		27.2	31.3

Notes:

Minimum centers contains 0.5" to allow for belt assembly

(1) Motor mount will fit NEMA and IEC frame motors; hardware are inch dimensions

(2) M1, M2, M3 go through output shaft centerline



SELECTION/DIMENSIONS

TORQUE-ARM II Shaft Mount Speed Reducers

Motor Mount Dimensions - TA5215H, Position A & C

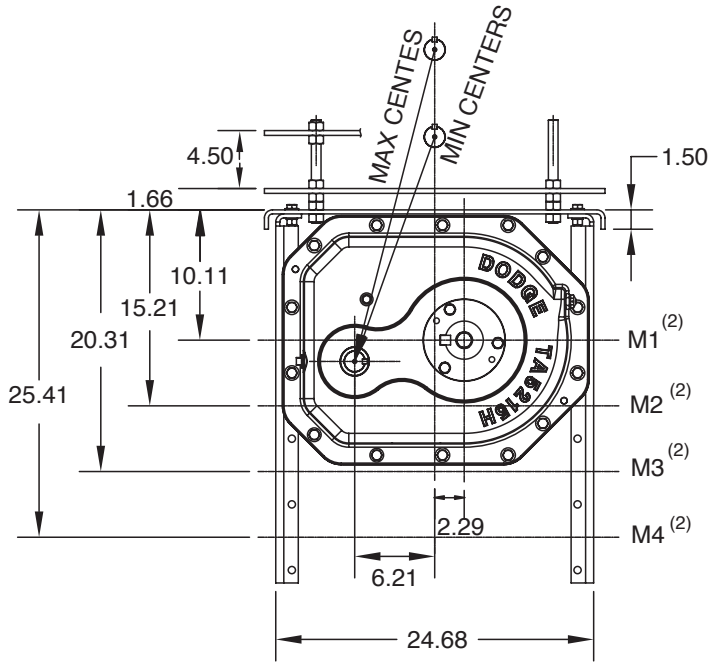
Gearing Reference Guide

TORQUE-ARM II

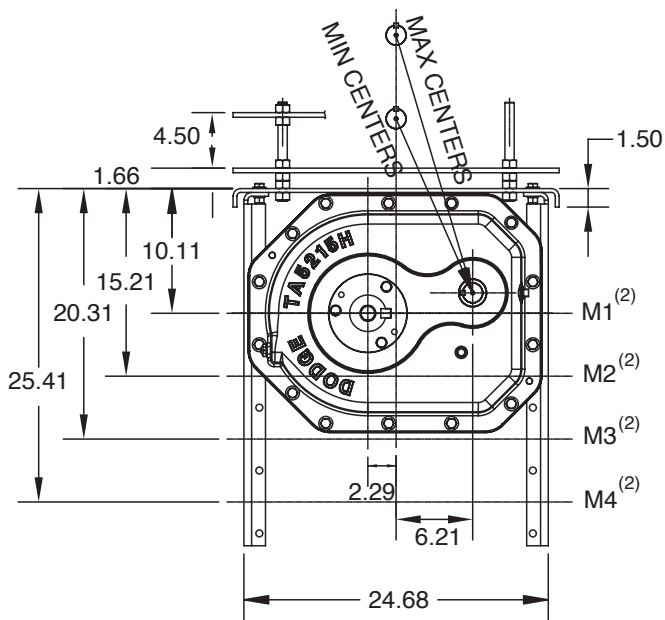
TORQUE-ARM

MAXUM

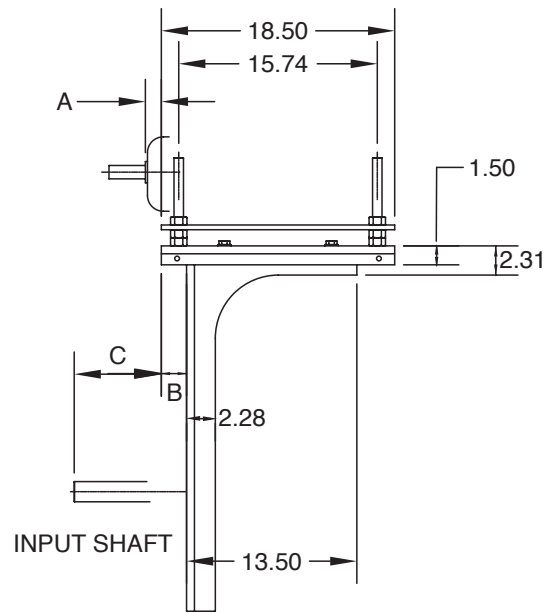
TIGEAR-2



POSITION A



POSITION C





SELECTION/DIMENSIONS

TORQUE-ARM II Shaft Mount Speed Reducers

Motor Mount Dimensions - TA5215H, Position A & C ^{(1) (3)}

Mounting	Lateral Adjustment				Motor Mount Height ⁽²⁾	Motor Frame								
						182T & 184T		213T & 215T		254T & 256T				
	B Min	B Max	C Min	C Max		A	Centers		A	Centers		A	Centers	
						Min	Max		Min	Max		Min	Max	
Position A	-0.21	4.21	5.77	10.19	M1	1.37	19.5	23.4	1.55	20.2	24.1	1.56	21.1	25.1
					M2		24.2	28.3		25.0	29.0		25.9	30.0
					M3		29.1	33.2		29.8	33.9		30.8	34.9
					M4		34.0	38.1		34.7	38.8		35.7	39.8
Position C	-0.21	4.21	5.77	10.19	M1	1.37	16.4	20.3	1.55	17.1	21.0	1.56	18.0	21.9
					M2		21.1	25.1		21.8	25.8		22.8	26.8
					M3		25.9	29.9		26.6	30.7		27.6	31.6
					M4		30.8	34.8		31.5	35.6		32.5	36.6

Mounting	Lateral Adjustment				Motor Mount Height ⁽²⁾	Motor Frame								
						284T & 286T		324T & 326T		364T & 365T				
	B Min	B Max	C Min	C Max		A	Centers		A	Centers		A	Centers	
						Min	Max		Min	Max		Min	Max	
Position A	-0.21	4.21	5.77	10.19	M1	1.16	21.8	25.8	0.38	22.8	26.8	1.01	23.8	27.8
					M2		26.7	30.7		27.6	31.7		28.6	32.7
					M3		31.5	35.6		32.5	36.6		33.5	37.6
					M4		36.5	40.6		37.4	41.5		38.4	42.5
Position C	-0.21	4.21	5.77	10.19	M1	1.16	18.7	22.6	0.38	19.7	23.6	1.01	20.6	24.6
					M2		23.5	27.5		24.4	28.5		25.4	29.4
					M3		28.3	32.4		29.3	33.4		30.3	34.3
					M4		33.2	37.3		34.2	38.3		35.2	39.3

Notes:

Minimum centers contains 0.5" to allow for belt assembly

(1) Motor mount will fit NEMA and IEC frame motors; hardware are inch dimensions

(2) M1, M2, M3, M4 go through output shaft centerline

(3) See Table A, below, for minimum "M" mounting position required for specific screw diameter and reducer size

Table A - Screw Conveyor Motor Mount Minimum "M" Mounting Positions ⁽¹⁾

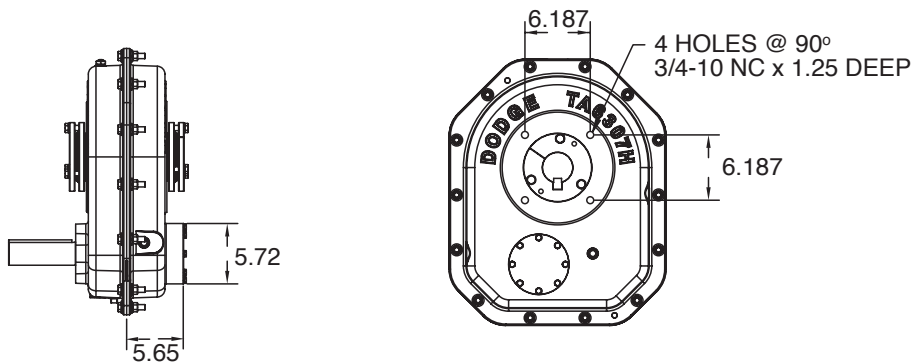
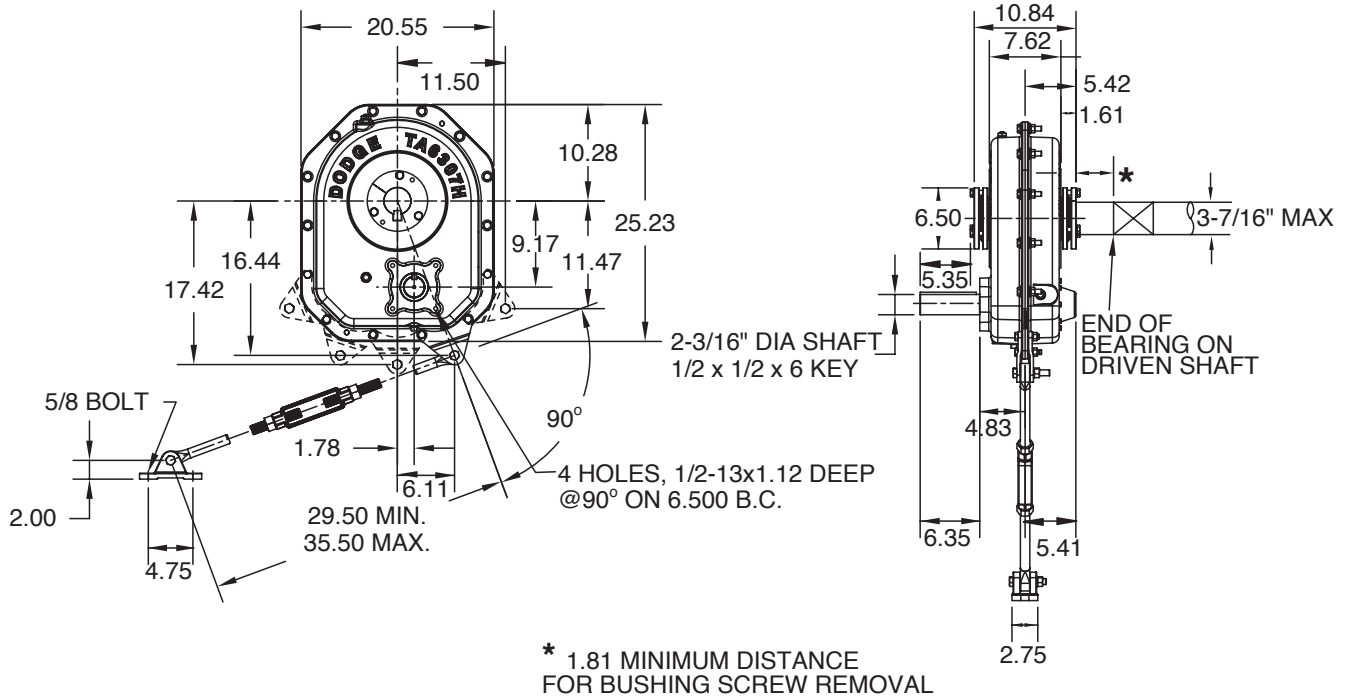
Nominal Screw Dia	Trough Height Dim	Minimum Mounting Position							
		TA0107L	TA1107H	TA2115H	TA3203H	TA4207H	TA5215H	TA6307H	TA7315H
6	7.00	M2	M3	M2	M2	M2	M1	M1	M1
9	9.00	M3	M4	M3	M3	M2	M2	M2	M1
12	10.00	M4	M4	M3	M3	M2	M2	M2	M1
14	11.00	M4	M4	M4	M3	M3	M2	M2	M2
16	11.50	M4	***	M4	M4	M3	M2	M2	M2
18	12.13	***	***	M4	M4	M3	M3	M2	M2
20	13.50	***	***	M4	M4	M3	M3	M3	M2
24	16.50	***	***	***	***	M4	M3	M3	M3

(1) For U Or Flared Trough Ends Per CEMA 300-014



SELECTION/DIMENSIONS

TORQUE-ARM II Shaft Mount Speed Reducers Taper Bushed Reducers - TA6307H, Single And Double Reduction



REDUCER WITH BACKSTOP

FLANGE MOUNTING DIMENSIONS



SELECTION/DIMENSIONS

TORQUE-ARM II Shaft Mount Speed Reducers Taper Bushed Reducers - TA6307H, Single And Double Reduction

TA6307H Taper Bushed Reducers ⁽¹⁾ ■

Reducer Size	Part Number	AGMA Code	Actual Ratio	Weight lbs.
TA6307H05	906004	307S05	4.94	316.0
TA6307H09	906003	307D09	9.22	334.0
TA6307H15	906002	307D15	15.45	333.0
TA6307H25	906001	307D25	24.87	331.0
TA6307H40	906000	307D40	38.32	330.0

(1) Reducers are supplied from stock ready for vertical mounting and for flange mounting. Rod assembly is not included with reducer. Order as a separate part number.

- See page G1-122 for Maximum Bore Straight Bore TA II Reducers
- + Rod Assembly mounting locations are limited to positions shown in drawing.

TA6307H Accessories

Description	Part Number	Weight lbs.
TA6307RA Rod Assembly ⁽¹⁾ +	906109	19.9
TA6307BS Backstop Assembly ⁽²⁾	906102	11.1
TA6307BS 25:1 & 40:1 Backstop Assembly ⁽²⁾	906103	11.1
TA6307MM Motor Mount Assembly (182-405T) ⁽³⁾	906090	156.7
TA6307BG Belt Guard - Pos. B (182-405T)	906096	121.2
TA6307BG Belt Guard - Pos. C (182-405T) ⁽⁴⁾	906097	129.4
TA6307BG Belt Guard - Pos. D (182-405T)	906099	122.2
TA6307CF Cooling Fan Assembly ●	906106	10.0
TA4-TA12 Vertical Breather Kit	904112	3.0
TA6307H V-Ring Kit	906249	0.4
Filter Breather Kit	430049	0.2
TA6307H Lube Kit	LUBEKITTA6307	34.7

- (2) See page G1-128 for input shaft speed necessary for backstop sprag lift-off
- (3) Motor Mount will fit NEMA and IEC frame motors; however hardware are inch dimensions
- (4) Use Position-C belt guard for TA II reducer in screw conveyor drive applications
- See page G1-120 for cooling fan dimensions

TA6307H Tapered Bushing Kits ⁽⁵⁾ (6)

Bushing Size Standard Shaft Bushing Kit	Part Number ⁽⁷⁾	Weight lbs.	Shaft Keyseat Required ⁽⁹⁾ (10)	Bushing Size Short Shaft Bushing Kit ⁽⁸⁾	Part Number	Weight lbs.	Shaft Keyseat Required ⁽⁹⁾ (10)
TA6307TB x 3-7/16 ▲	906020	16.7	7/8 x 7/16 x 10.82	TA6307TBS x 3-7/16	906031	16.5	7/8 x 7/16 x 6.72
TA6307TB x 3-3/16	906021	17.7	3/4 x 3/8 x 10.82	TA6307TBS x 3-3/16	906032	19.0	3/4 x 3/8 x 6.72
TA6307TB x 3	906022	19.1	3/4 x 3/8 x 10.82	TA6307TBS x 3	906033	20.9	3/4 x 3/8 x 6.72
TA6307TB x 2-15/16	906023	19.6	3/4 x 3/8 x 10.82	TA6307TBS x 2-15/16	906034	21.6	3/4 x 3/8 x 6.72
TA6307TB x 2-7/8	906024	20.1	3/4 x 3/8 x 10.82	TA6307TBS x 2-7/8	906035	22.3	3/4 x 3/8 x 6.72
TA6307TB x 2-11/16	906025	20.9	5/8 x 5/16 x 10.82	TA6307TBS x 2-11/16	906036	23.7	5/8 x 5/16 x 6.72
TA6307TB x 2-1/2	906026	22.1	5/8 x 5/16 x 10.82	TA6307TBS x 2-1/2	906037	25.3	5/8 x 5/16 x 6.72
TA6307TB x 2-7/16	906027	22.3	5/8 x 5/16 x 10.82	TA6307TBS x 2-7/16	906038	25.8	5/8 x 5/16 x 6.72
TA6307TB x 2-3/8	906028	22.7	5/8 x 5/16 x 10.82	TA6307TBS x 2-3/8	906039	26.3	5/8 x 5/16 x 6.72
TA6307TB x 2-1/4	906029	23.1	1/2 x 1/4 x 10.82	TA6307TBS x 2-1/4	906040	26.7	1/2 x 1/4 x 6.72
TA6307TB x 2-3/16	906030	23.3	1/2 x 1/4 x 10.82	TA6307TBS x 2-3/16	906041	27.5	1/2 x 1/4 x 6.72

- ▲ AGMA maximum bore size
- (5) Bushing kit required to mount TA II reducer to driven shaft
- (6) Bushing kit is not required to mount TA II reducer on SCS Drive Shaft in a screw conveyor application
- (7) Standard Shaft Bushing Kit includes two standard bushings with back-up plates and snap rings; hardware, and key
- (8) Short Shaft Bushing Kit includes one standard bushing, one long bushing with insertable wedge; two back-up plates with snap rings; hardware and key. This is an optional bushing for after market, short shaft mounting.
- (9) Minimum keyseat and shaft length required to mount reducer with bushing kit
- (10) Always check the driven shaft and key for strength



SELECTION/DIMENSIONS

TORQUE-ARM II Shaft Mount Speed Reducers

Screw Conveyor Drive - TA6307H, Single And Double Reduction

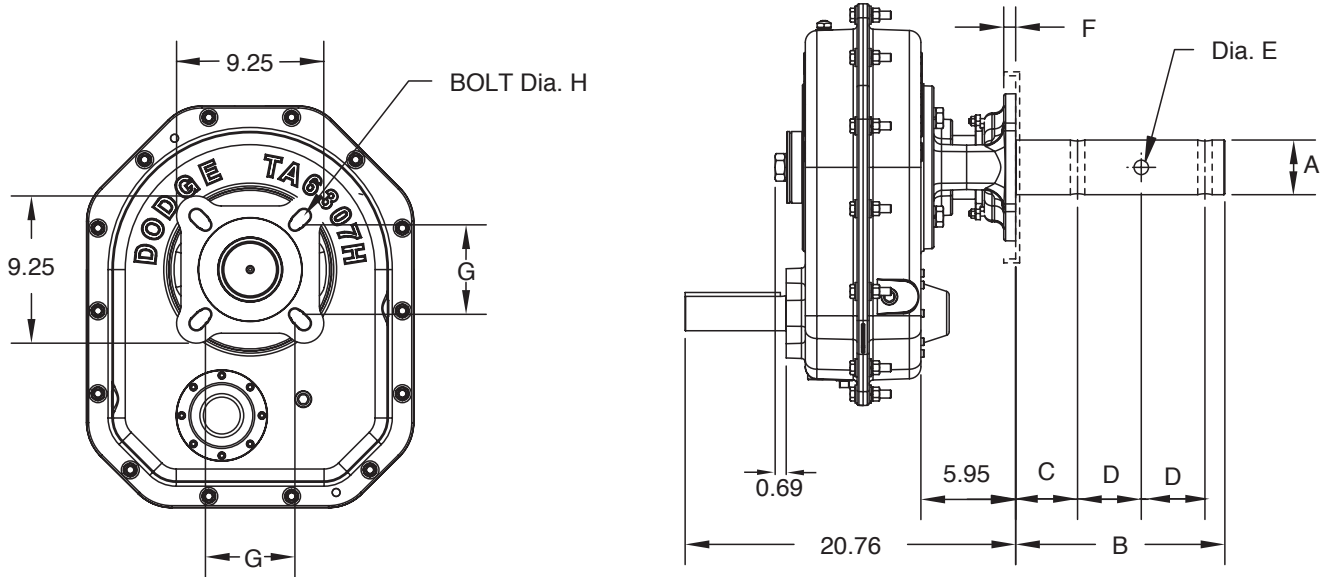
Gearing Reference Guide

TORQUE-ARM II

TORQUE-ARM

MAXUM

TIGEAR-2





SELECTION/DIMENSIONS

TORQUE-ARM II Shaft Mount Speed Reducers Screw Conveyor Drive - TA6307H, Single And Double Reduction

TA6307H Screw Conveyor Drive Dimensions

Screw Dia	Drive Shaft Dia A	Dimensions						
		B	C	D	Hole Dia E	F	G	Bolt Dia H
12, 14	2-7/16	9.69	2.75	3.00	21/32	0.75	5.63	5/8
12, 14, 16, 18, 20	3	9.88	2.88	3.00	25/32	0.75	6.00	3/4
18, 20, 24	3-7/16	13.13	3.88	4.00	29/32	0.75	6.75	3/4

TA6307H Accessories for Screw Conveyor Drives (1) (4) (5)

Description	Part Number	Weight lbs.
TA6307SCA Adapter & Hardware Kit ⁽²⁾	906070	40.0
TA6307SCP Adjustable Packing Kit ⁽³⁾	906071	2.4
TA6307SCS x 2-7/16 Drive Shaft	906074	54.6
TA6307SCS x 3 Drive Shaft	906075	61.0
TA6307SCS x 3-7/16 Drive Shaft	906076	74.9
TA6307SCS x 2-7/16 Stainless Steel Drive Shaft	906082	54.6
TA6307SCS x 3 Stainless Steel Drive Shaft	906083	61.0
TA6307SCS x 3-7/16 Stainless Steel Drive Shaft	906084	74.9

- (1) See page G1-83 for Belt Guard for Screw Conveyor Drive applications
- (2) SCA Adapter & Hardware Kit includes adapter, mounting wedge, keeper plate, key, seals and hardware
- (3) SCP Adjustable Packing Kit consists of flange, mounting hardware and braided packing seals
- (4) SCS Drive Shaft is a shaft only. Hardware is stocked with the adapter & hardware kit
- (5) A complete TA II Screw Conveyor Drive includes a TA II Reducer, SCA Adapter & Hardware Kit and SCS Drive Shaft. The SCP Adjustable Packing Kit is an optional accessory.



SELECTION/DIMENSIONS

TORQUE-ARM II Shaft Mount Speed Reducers

Motor Mount Dimensions - TA6307H, Position B & D

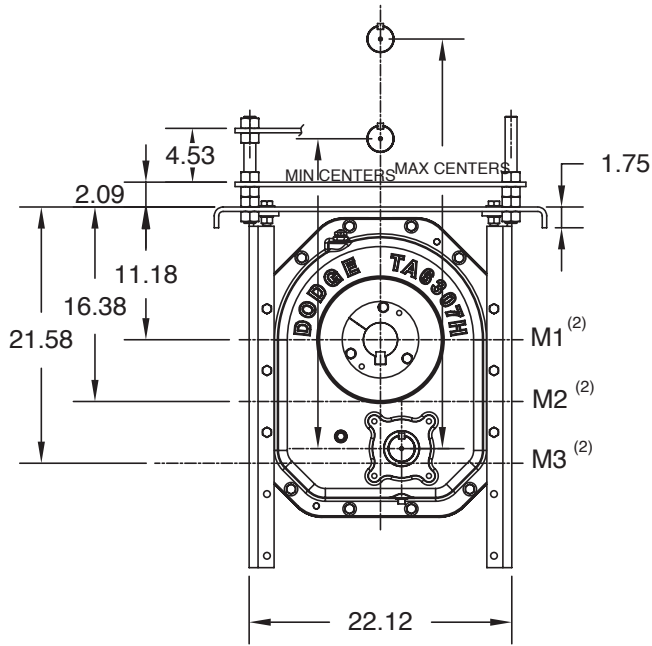
Gearing Reference Guide

TORQUE-ARM II

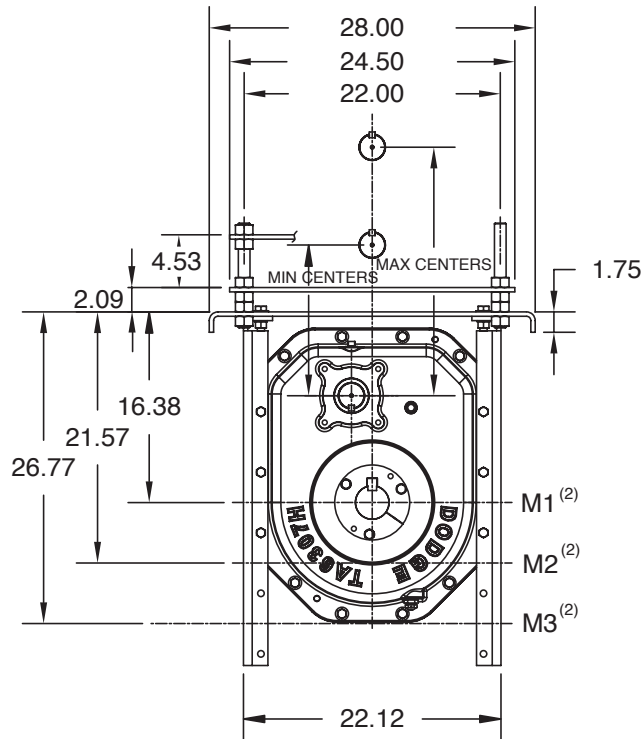
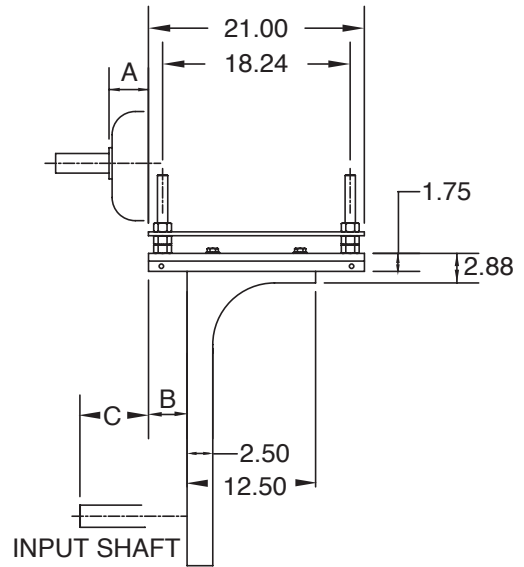
TORQUE-ARM

MAXUM

TIGEAR-2



POSITION B



POSITION D



SELECTION/DIMENSIONS

TORQUE-ARM II Shaft Mount Speed Reducers

Motor Mount Dimensions - TA6307H, Position B & D ⁽¹⁾

Mounting	Lateral Adjustment				Motor Mount Height ⁽²⁾	Motor Frame											
						182T & 184T			213T & 215T			254T & 256T			284T & 286T		
	B Min	B Max	C Min	C Max		A	Centers		A	Centers		A	Centers		A	Centers	
							Min	Max		Min	Max		Min	Max		Min	Max
Position B	1.59	5.91	4.51	8.83	M1	27.5	31.5	1.55	28.2	32.3	1.56	29.2	33.3	1.16	30.0	34.0	
					M2	32.7	36.7		33.4	37.5		34.4	38.5		35.2	39.2	
					M3	37.9	41.9		38.6	42.7		39.6	43.7		40.4	44.4	
Position D	1.59	5.91	4.51	8.83	M1	14.4	18.4	1.55	15.2	19.2	1.56	16.1	20.2	1.16	16.9	20.9	
					M2	19.6	23.6		20.3	24.3		21.3	25.3		22.1	26.1	
					M3	24.8	28.8		25.5	29.5		26.5	30.5		27.3	31.3	

Mounting	Lateral Adjustment				Motor Mount Height ⁽²⁾	Motor Frame								
						324T & 326T			364T & 365T			404T & 405T		
	B Min	B Max	C Min	C Max		A	Centers		A	Centers		A	Centers	
							Min	Max		Min	Max		Min	Max
Position B	1.59	5.91	4.51	8.83	M1	31.0	35.0	1.01	32.0	36.0	0.75	33.0	37.0	
					M2	36.2	40.2		37.2	41.2		38.2	42.2	
					M3	41.4	45.4		42.4	46.4		43.4	47.4	
Position D	1.59	5.91	4.51	8.83	M1	17.9	21.9	1.01	18.9	22.9	0.75	19.9	23.9	
					M2	23.1	27.1		24.1	28.1		25.1	29.1	
					M3	28.3	32.3		29.3	33.3		30.2	34.3	

Notes:

Minimum centers contains 0.5" to allow for belt assembly

(1) Motor mount will fit NEMA and IEC frame motors; hardware are inch dimensions

(2) M1, M2, M3 go through output shaft centerline



SELECTION/DIMENSIONS

TORQUE-ARM II Shaft Mount Speed Reducers

Motor Mount Dimensions - TA6307H, Position A & C

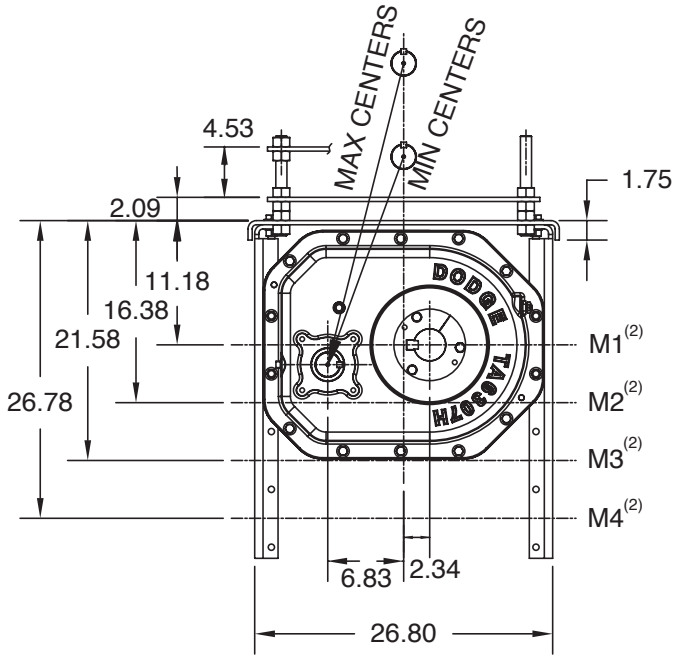
Gearing Reference Guide

TORQUE-ARM II

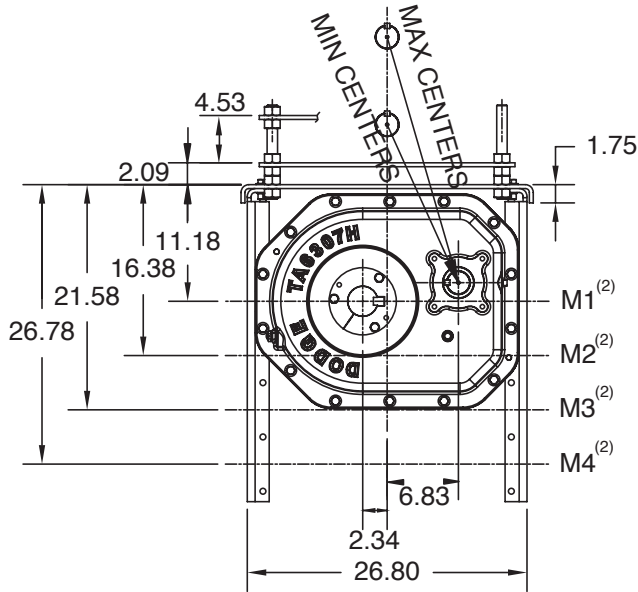
TORQUE-ARM

MAXUM

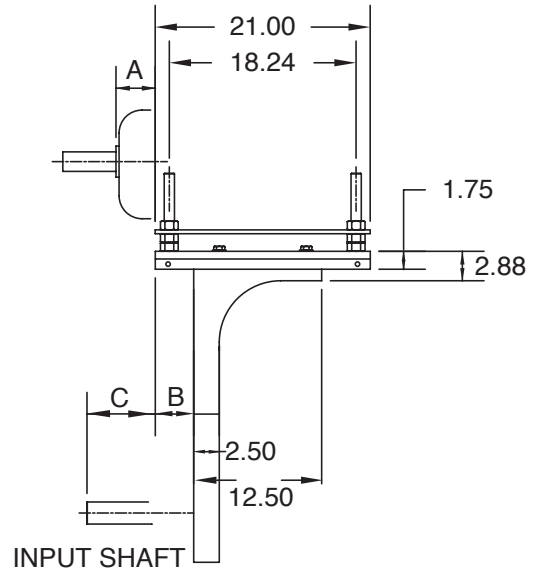
TIGEAR-2



POSITION A



POSITION C





SELECTION/DIMENSIONS

TORQUE-ARM II Shaft Mount Speed Reducers

Motor Mount Dimensions - TA6307H, Position A & C ^{(1) (3)}

Mounting	Lateral Adjustment				Motor Mount Height ⁽²⁾	Motor Frame											
						182T & 184T			213T & 215T			254T & 256T			284T & 286T		
	B Min	B Min	C Min	C Min		A	Centers		A	Centers		A	Centers		A	Centers	
							Min	Max		Min	Max		Min	Max		Min	Max
Position A	1.59	5.91	5.65	9.97	M1	21.2	25.0	1.37	21.9	25.8	1.55	22.9	26.7	1.56	23.6	27.4	
					M2	26.2	30.1		26.9	30.8		27.9	31.8		28.6	32.5	
					M3	31.2	35.1		32.0	35.9		32.9	36.9		33.7	37.6	
					M4	36.3	40.3		37.0	41.0		38.0	42.0		38.8	42.7	
Position C	1.59	5.91	5.65	9.97	M1	17.9	21.6	1.37	18.6	22.3	1.55	19.5	23.3	1.56	20.2	24.0	
					M2	22.8	26.6		23.5	27.3		24.4	28.3		25.2	29.0	
					M3	27.8	31.7		28.5	32.4		29.5	33.4		30.2	34.1	
					M4	32.8	36.8		33.5	37.5		34.5	38.5		35.3	39.2	

Mounting	Lateral Adjustment				Motor Mount Height ⁽²⁾	Motor Frame											
						324T & 326T			364T & 365T			404T & 405T					
	B Min	B Max	C Min	C Max		A	Centers		A	Centers		A	Centers				
							Min	Max		Min	Max		Min	Max			
Position A	1.59	5.91	5.65	9.97	M1	24.5	28.4	0.38	25.5	29.4	1.01	26.5	30.4	0.75	31.5	35.4	
					M2	29.6	33.5		30.5	34.5		36.6	40.6				
					M3	34.6	38.6		35.6	39.6		41.7	45.7				
					M4	39.7	43.7		40.7	44.7		44.7	48.7				
Position C	1.59	5.91	5.65	9.97	M1	21.1	25.0	0.38	22.1	25.9	1.01	23.0	26.9	0.75	28.0	32.0	
					M2	26.1	30.0		27.1	31.0		33.1	37.1				
					M3	31.2	35.1		32.1	36.1		38.2	42.2				
					M4	36.2	40.2		37.2	41.2		41.2	45.2				

Notes:

Minimum centers contains 0.5" to allow for belt assembly

(1) Motor mount will fit NEMA and IEC frame motors; hardware are inch dimensions

(2) M1, M2, M3, M4 go through output shaft centerline

(3) See Table A, below, for minimum "M" mounting position required for specific screw diameter and reducer size

Table A - Screw Conveyor Motor Mount Minimum "M" Mounting Positions ⁽¹⁾

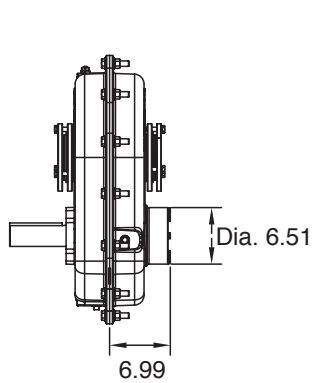
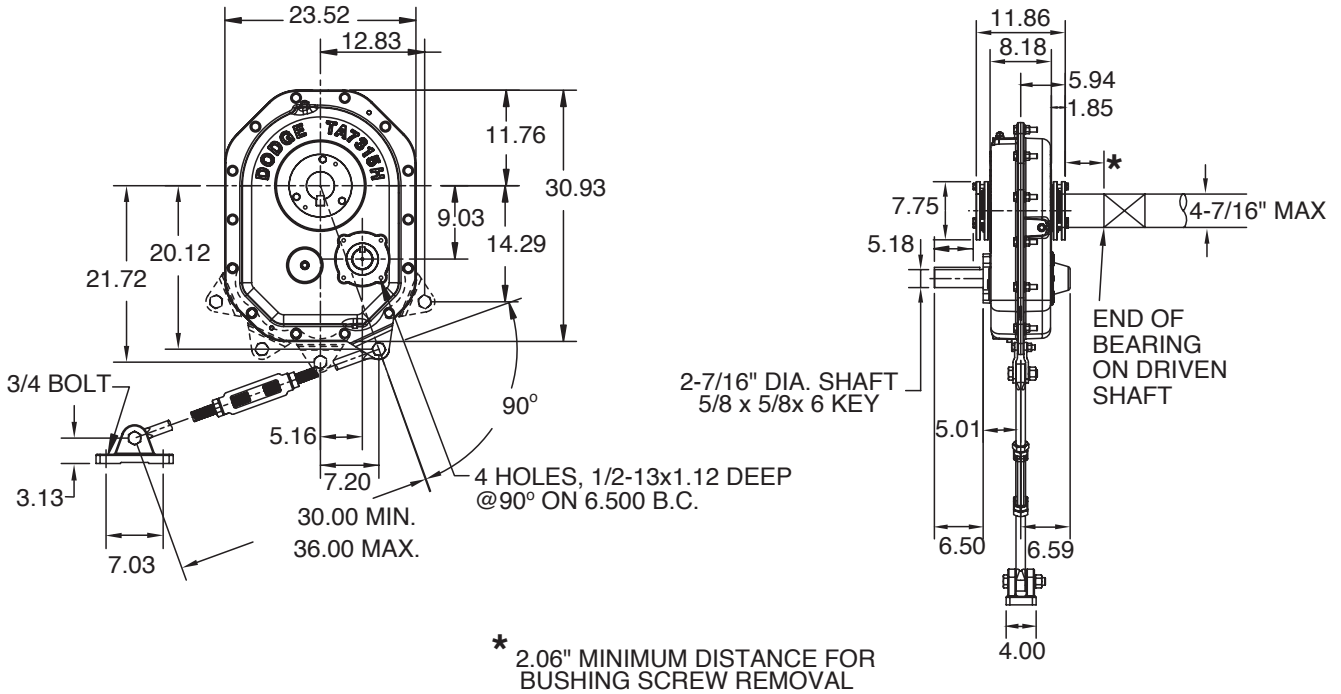
Nominal Screw Dia	Trough Height Dim	Minimum Mounting Position							
		TA0107L	TA1107H	TA2115H	TA3203H	TA4207H	TA5215H	TA6307H	TA7315H
6	7.00	M2	M3	M2	M2	M2	M1	M1	M1
9	9.00	M3	M4	M3	M3	M2	M2	M2	M1
12	10.00	M4	M4	M3	M3	M2	M2	M2	M1
14	11.00	M4	M4	M4	M3	M3	M2	M2	M2
16	11.50	M4	***	M4	M4	M3	M2	M2	M2
18	12.13	***	***	M4	M4	M3	M3	M2	M2
20	13.50	***	***	M4	M4	M3	M3	M3	M2
24	16.50	***	***	***	***	M4	M3	M3	M3

(1) For U Or Flared Trough Ends Per CEMA 300-014

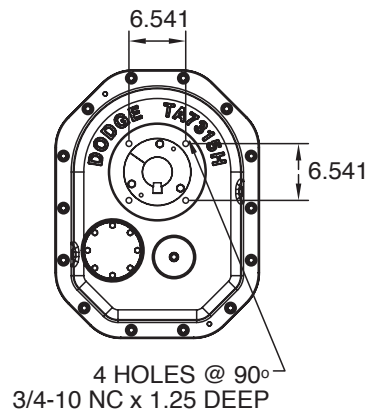


SELECTION/DIMENSIONS

TORQUE-ARM II Shaft Mount Speed Reducers Taper Bushed Reducers - TA7315H, Single And Double Reduction



REDUCER WITH BACKSTOP



FLANGE MOUNTING DIMENSIONS



SELECTION/DIMENSIONS

TORQUE-ARM II Shaft Mount Speed Reducers Taper Bushed Reducers - TA7315H, Single And Double Reduction

TA7315H Taper Bushed Reducers ⁽¹⁾

Reducer Size	Part Number	AGMA Code	Actual Ratio	Weight lbs.
TA7315H05	907004	315S05	5.19	449.0
TA7315H09	907003	315D09	9.72	494.0
TA7315H15	907002	315D15	14.91	493.0
TA7315H25	907001	315D25	24.84	494.0
TA7315H40	907000	315D40	39.66	492.0

(1) Reducers are supplied from stock ready for vertical mounting and for flange mounting. Rod assembly is not included with reducer. Order as a separate part number.

+ Rod Assembly mounting locations are limited to positions shown in drawing.

TA7315H Accessories

Description	Part Number	Weight lbs.
TA7315/8407RA Rod Assembly ⁽¹⁾ +	907109	43.2
TA7315BS Backstop Assembly ⁽²⁾	907102	20.0
TA7315/9415BS 40:1 Backstop Assembly ⁽²⁾	907103	21.0
TA7315/8407MM Motor Mount Assembly (213-405T) ⁽³⁾	907090	183.3
TA7315/8407BG Belt Guard - Pos. B (213-405T)	907096	147.2
TA7315/8407BG Belt Guard - Pos. C (213-405T) ⁽⁴⁾	907097	152.7
TA7315/8407BG Belt Guard - Pos. D (213-405T)	907099	148.2
TA7315/8407CF Cooling Fan Assembly ●	907106	10.0
TA4-TA12 Vertical Breather Kit	904112	3.0
TA7315/8407H V-Ring Kit	907249	0.4
Filter Breather Kit	430049	0.2
TA7315H Lube Kit	LUBEKITA7315	53.2

(2) See page G1-128 for input shaft speed necessary for backstop sprag lift-off

(3) Motor Mount will fit NEMA and IEC frame motors; however hardware are inch dimensions

(4) Use Position-C belt guard for TA II reducer in screw conveyor drive applications

● See page G1-120 for cooling fan dimensions

TA7315H Tapered Bushing Kits ⁽⁵⁾ ⁽⁶⁾

Bushing Size Standard Shaft Bushing Kit	Part Number (7)	Weight lbs.	Shaft Keyseat Required (10)	Bushing Size Short Shaft Bushing Kit ⁽⁸⁾	Part Number	Weight lbs.	Shaft Keyseat Required (9) (10)
TA7315TB x 4-7/16	907019	20.5	1 x 1/2 x 11.87	---	---	---	---
TA7315TB x 4-3/16	907021	23.5	1 x 1/2 x 11.87	---	---	---	---
TA7315TB x 3-15/16 ▲	907022	26.3	1 x 1/2 x 11.87	TA7315TBS x 3-15/16	907031	26.7	1 x 1/2 x 7.62
TA7315TB x 3-7/16	907023	30.9	7/8 x 7/16 x 11.87	TA7315TBS x 3-7/16	907032	34.2	7/8 x 7/16 x 7.62
TA7315TB x 3-3/16	907024	32.6	3/4 x 3/8 x 11.87	TA7315TBS x 3-3/16	907033	36.7	3/4 x 3/8 x 7.62
TA7315TB x 3	907025	34.0	3/4 x 3/8 x 11.87	TA7315TBS x 3	907034	38.8	3/4 x 3/8 x 7.62
TA7315TB x 2-15/16	907026	34.6	3/4 x 3/8 x 11.87	TA7315TBS x 2-15/16	907035	39.6	3/4 x 3/8 x 7.62
TA7315TB x 2-7/8	907027	35.0	3/4 x 3/8 x 11.87	TA7315TBS x 2-7/8	907036	40.2	3/4 x 3/8 x 7.62
TA7315TB x 2-11/16	907028	35.8	5/8 x 5/16 x 11.87	TA7315TBS x 2-11/16	907037	41.7	5/8 x 5/16 x 7.62
TA7315TB x 2-1/2	907029	37.2	5/8 x 5/16 x 11.87	TA7315TBS x 2-1/2	907038	43.6	5/8 x 5/16 x 7.62
TA7315TB x 2-7/16	907030	37.4	5/8 x 5/16 x 11.87	TA7315TBS x 2-7/16	907039	44.1	5/8 x 5/16 x 7.62

▲ AGMA maximum bore size

(5) Bushing kit required to mount TA II reducer to driven shaft

(6) Bushing Kit is not required to mount TA II reducer on SCS Drive Shaft in a screw conveyor application

(7) Standard Shaft Bushing Kit includes two standard bushings with backup plates and snap rings; hardware and one key

(8) Short Shaft Bushing Kit includes one standard bushing; one long bushing with mounting wedge; two backup plates with snap rings; hardware and one key. This is an optional bushing for after market, short shaft mounting

(9) Minimum keyseat and shaft length required to mount reducer with bushing kit

(10) Always check the driven shaft and key for strength



SELECTION/DIMENSIONS

TORQUE-ARM II Shaft Mount Speed Reducers
 Screw Conveyor Drive - TA7315H, Single And Double Reduction

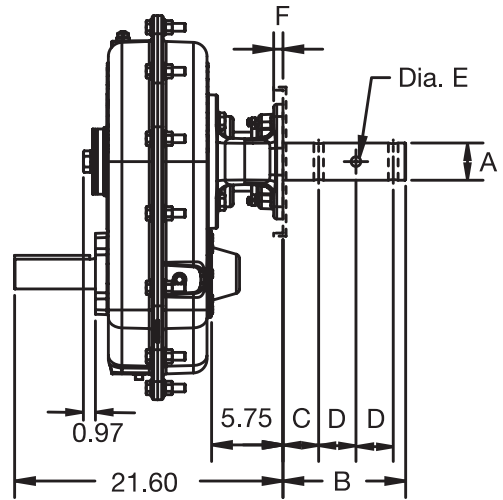
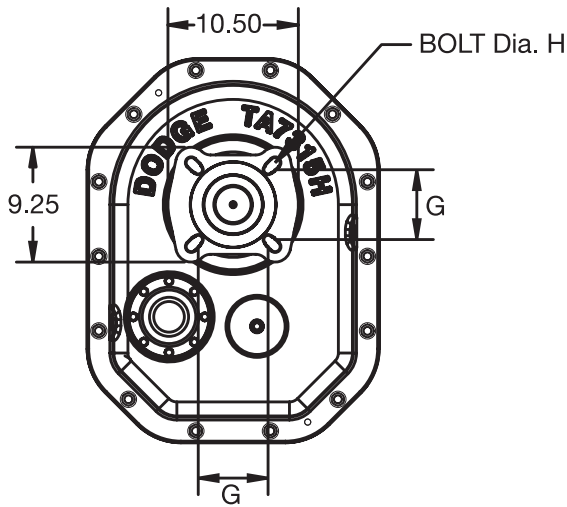
Gearing Reference Guide

TORQUE-ARM II

TORQUE-ARM

MAXUM

TIGEAR-2





SELECTION/DIMENSIONS

TORQUE-ARM II Shaft Mount Speed Reducers Screw Conveyor Drive - TA7315H, Single And Double Reduction

TA7315H Screw Conveyor Drive Dimensions

Screw Dia	Drive Shaft Dia A	Dimensions						
		B	C	D	Hole Dia E	F	G	Bolt Dia H
12, 14	2-7/16	9.69	2.75	3.00	21/32	0.75	5.63	5/8
12, 14, 16, 18, 20	3	9.88	2.88	3.00	25/32	0.75	6.00	3/4
18, 20, 24	3-7/16	13.13	3.88	4.00	29/32	0.75	6.75	3/4

TA7315H Accessories for Screw Conveyor Drives (1) (4) (5)

Description	Part Number	Weight lbs.
TA7315SCA Adapter & Hardware Kit ⁽²⁾	907070	50.1
TA7315SCP Adjustable Packing Kit ⁽³⁾	907071	2.5
TA7315SCS x 2-7/16 Drive Shaft	907074	77.0
TA7315SCS x 3 Drive Shaft	907075	83.4
TA7315SCS x 3-7/16 Drive Shaft	907076	97.3
TA7315SCS x 2-7/16 Stainless Steel Drive Shaft	907082	77.0
TA7315SCS x 3 Stainless Steel Drive Shaft	907083	83.4
TA7315SCS x 3-7/16 Stainless Steel Drive Shaft	907084	97.3

- (1) See page G1-91 for Belt Guard for Screw Conveyor Drive applications.
- (2) SCA Adapter & Hardware Kit includes adapter, mounting wedge, keeper plate, key, seals and hardware.
- (3) SCP Adjustable Packing Kit consists of flange, mounting hardware and braided packing seals.
- (4) SCS Drive Shaft is a shaft only. Mounting hardware is stocked with the adapter & hardware kit.
- (5) A complete TA II Screw Conveyor Drive includes a TA II Reducer, SCA Adapter & Hardware Kit, and SCS Drive Shaft. The SCP Adjustable Packing kit is an optional accessory



SELECTION/DIMENSIONS

TORQUE-ARM II Shaft Mount Speed Reducers

Motor Mount Dimensions - TA7315H, Position B & D

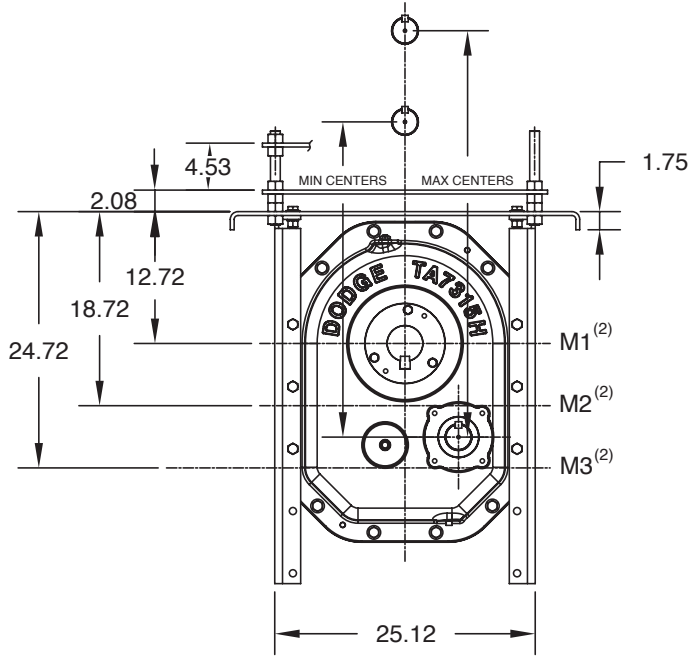
Gearing Reference Guide

TORQUE-ARM II

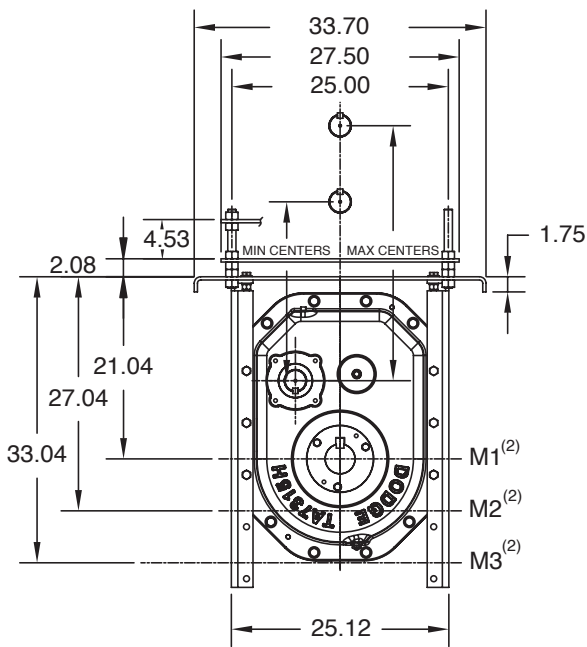
TORQUE-ARM

MAXUM

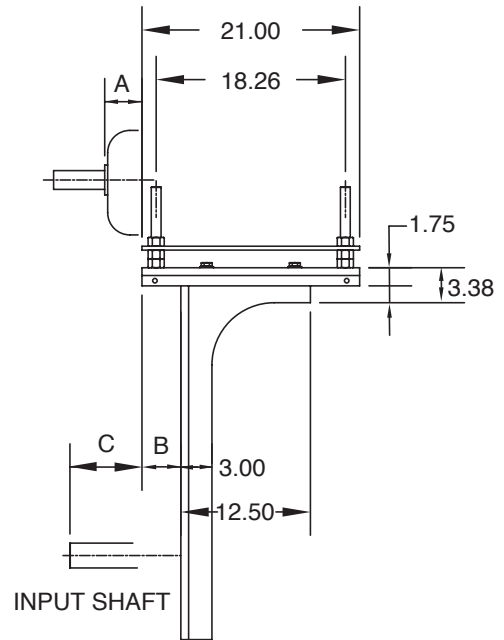
TIGEAR-2



POSITION B



POSITION D



INPUT SHAFT



SELECTION/DIMENSIONS

TORQUE-ARM II Shaft Mount Speed Reducers

Motor Mount Dimensions - TA7315H, Position B & D ⁽¹⁾

Mounting	Lateral Adjustment				Motor Mount Height ⁽²⁾	Motor Frame								
						213T & 215T		254T & 256T		284T & 286T				
	B Min	B Max	C Min	C Max		A	Centers		A	Centers		A	Centers	
Position B	1.59	5.91	4.78	9.10	M1	1.55	30.0	34.0	1.56	31.0	35.0	1.16	31.8	35.7
					M2		36.0	40.0		37.0	40.9		37.7	41.7
					M3		41.9	45.9		42.9	46.9		43.6	47.6
Position D	1.59	5.91	4.78	9.10	M1	1.55	20.5	24.4	1.56	21.5	25.4	1.16	22.2	26.1
					M2		26.4	30.3		27.4	31.3		28.1	32.0
					M3		32.3	36.3		33.3	37.2		34.0	38.0

Mounting	Lateral Adjustment				Motor Mount Height ⁽²⁾	Motor Frame								
						324T & 326T		364T & 365T		404T & 405T				
	B Min	B Max	C Min	C Max		A	Centers		A	Centers		A	Centers	
Position B	1.59	5.91	4.78	9.10	M1	0.38	32.8	36.7	1.01	33.7	37.7	0.75	34.7	38.7
					M2		38.7	42.7		39.7	43.7		40.7	44.7
					M3		44.6	48.6		45.6	49.6		46.6	50.6
Position D	1.59	5.91	4.78	9.10	M1	0.38	23.2	27.1	1.01	24.2	28.1	0.75	25.1	29.1
					M2		29.1	33.0		30.1	34.0		31.0	35.0
					M3		35.0	39.0		36.0	40.0		37.0	41.0

Notes:

Minimum centers contains 0.5" to allow for belt assembly

(1) Motor mount will fit NEMA and IEC frame motors; hardware are inch dimensions

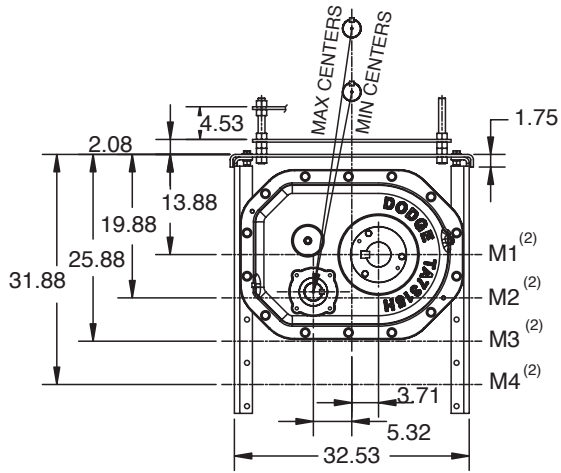
(2) M1, M2, M3 go through output shaft centerline



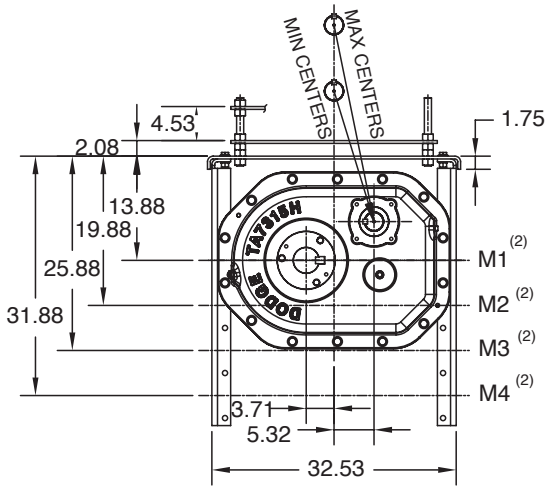
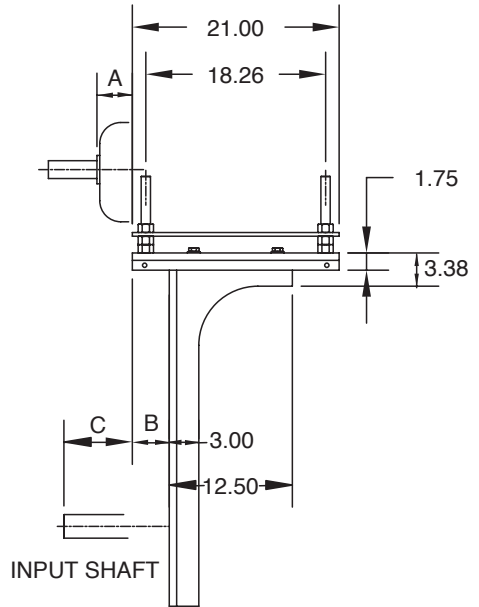
SELECTION/DIMENSIONS

TORQUE-ARM II Shaft Mount Speed Reducers

Motor Mount Dimensions - TA7315H, Position A & C



POSITION A



POSITION C



SELECTION/DIMENSIONS

TORQUE-ARM II Shaft Mount Speed Reducers

Motor Mount Dimensions - TA7315H, Position A & C ^{(1) (3)}

Mounting	Lateral Adjustment				Motor Mount Height ⁽²⁾	Motor Frame								
						213T & 215T		254T & 256T		284T & 286T				
	B Min	B Max	C Min	C Max		A	Centers		A	Centers		A	Centers	
						Min	Max	Min	Max	Min	Max	Min	Max	
Position A	1.59	5.91	6.04	10.36	M1	1.55	27.4	31.4	1.56	28.4	32.4	1.16	29.1	33.1
					M2		33.3	37.3		34.3	38.3		35.0	39.0
					M3		39.2	43.2		40.2	44.2		41.0	45.0
					M4		45.2	49.2		46.2	50.2		46.9	50.9
Position C	1.59	5.91	6.04	10.36	M1	1.55	17.4	21.3	1.56	18.4	22.2	1.16	19.1	23.0
					M2		23.2	27.1		24.2	28.1		24.9	28.8
					M3		29.1	33.0		30.0	34.0		30.8	34.7
					M4		35.0	39.0		36.0	39.9		36.7	40.7

Mounting	Lateral Adjustment				Motor Mount Height ⁽²⁾	Motor Frame								
						324T & 326T		364T & 365T		404T & 405T				
	B Min	B Max	C Min	C Max		A	Centers		A	Centers		A	Centers	
						Min	Max	Min	Max	Min	Max	Min	Max	
Position A	1.59	5.91	6.04	10.36	M1	0.38	30.1	34.1	1.01	31.1	35.1	0.75	32.1	36.1
					M2		36.0	40.0		37.0	41.0		38.0	42.0
					M3		42.0	46.0		43.0	47.0		44.0	48.0
					M4		47.9	51.9		48.9	52.9		49.9	53.9
Position C	1.59	5.91	6.04	10.36	M1	0.38	20.0	23.9	1.01	21.0	24.9	0.75	22.0	25.9
					M2		25.9	29.8		26.9	30.8		27.8	31.8
					M3		31.8	35.7		32.8	36.7		33.7	37.7
					M4		37.7	41.7		38.7	42.7		39.7	43.7

Notes:

Minimum centers contains 0.5" to allow for belt assembly

(1) Motor mount will fit NEMA and IEC frame motors; hardware are inch dimensions

(2) M1, M2, M3, M4 go through output shaft centerline

(3) See Table A, below, for minimum "M" mounting position required for specific screw diameter and reducer size

Table A - Screw Conveyor Motor Mount Minimum "M" Mounting Positions ⁽¹⁾

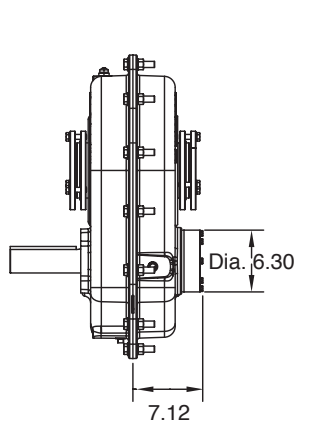
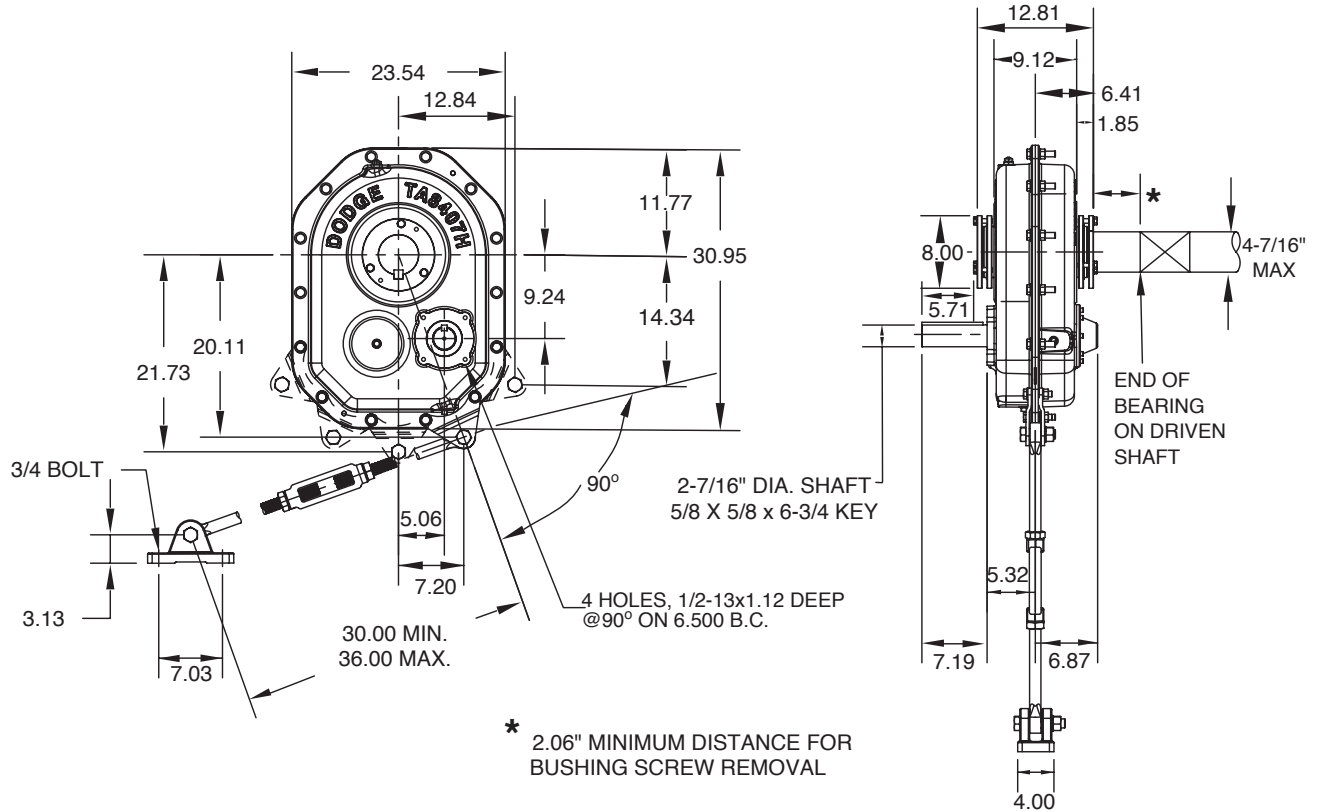
Nominal Screw Dia	Trough Height Dim	Minimum Mounting Position							
		TA0107L	TA1107H	TA2115H	TA3203H	TA4207H	TA5215H	TA6307H	TA7315H
6	7.00	M2	M3	M2	M2	M2	M1	M1	M1
9	9.00	M3	M4	M3	M3	M2	M2	M2	M1
12	10.00	M4	M4	M3	M3	M2	M2	M2	M1
14	11.00	M4	M4	M4	M3	M3	M2	M2	M2
16	11.50	M4	***	M4	M4	M3	M2	M2	M2
18	12.13	***	***	M4	M4	M3	M3	M2	M2
20	13.50	***	***	M4	M4	M3	M3	M3	M2
24	16.50	***	***	***	***	M4	M3	M3	M3

(1) For U Or Flared Trough Ends Per CEMA 300-014

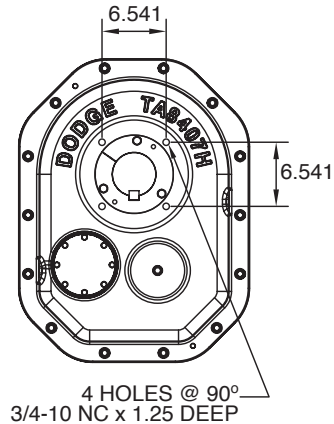


SELECTION/DIMENSIONS

TORQUE-ARM II Shaft Mount Speed Reducers Taper Bushed Reducers - TA8407H, Double Reduction



REDUCER WITH BACKSTOP



FLANGE MOUNTING DIMENSIONS



SELECTION/DIMENSIONS

TORQUE-ARM II Shaft Mount Speed Reducers Taper Bushed Reducers - TA8407H, Double Reduction

TA8407H Taper Bushed Reducers ⁽¹⁾

Reducer Size	Part Number	AGMA Code	Actual Ratio	Weight lbs.
TA8407H15	908002	407D15	15.12	511.0
TA8407H25	908001	407D25	24.97	511.0
TA8407H40	908000	407D40	39.67	507.0

(1) Reducers are supplied from stock ready for vertical mounting and for flange mounting. Rod assembly is not included with reducer. Order as a separate part number.

+ Rod Assembly mounting locations are limited to positions shown in drawing.

TA8407H Accessories

Description	Part Number	Weight lbs.
TA7315/8407RA Rod Assembly ⁽¹⁾ +	907109	43.2
TA8407BS Backstop Assembly ⁽²⁾	908102	15.0
TA8407BS 40:1 Backstop Assembly ⁽²⁾	908103	15.7
TA7315/8407MM Motor Mount Assembly (213-405T) ⁽³⁾	907090	183.3
TA7315/8407BG Belt Guard - Pos. B (213-405T)	907096	147.2
TA7315/8407BG Belt Guard - Pos. C (213-405T)	907097	152.7
TA7315/8407BG Belt Guard - Pos. D (213-405T)	907099	148.2
TA7315/8407CF Cooling Fan Assembly ●	907106	10.0
TA8407SCA Adapter & Hardware Kit ◆	908070	55.0
TA4-TA12 Vertical Breather Kit	904112	3.0
TA7315/8407H V-Ring Kit	907249	0.4
Filter Breather Kit	430049	0.2
TA8407H Lube Kit	LUBEKITTA8407	53.2

(2) See page G1-128 for input shaft speed necessary for backstop sprag lift-off

(3) Motor Mount will fit NEMA and IEC frame motors; however hardware are inch dimensions

● See page G1-120 for cooling fan dimensions

◆ SCA Adapter & Hardware Kit is available for TA8407H reducers as a non-stock product. Consult DODGE about SCS Drive Shafts.

TA8407H Tapered Bushing Kits ⁽⁴⁾ ⁽⁵⁾

Bushing Size Standard Shaft Bushing Kit	Part Number ⁽⁶⁾	Weight lbs.	Shaft Keyseat Required ⁽⁸⁾ ⁽⁹⁾	Bushing Size	Part Number	Weight lbs.	Shaft Keyseat Required ⁽⁸⁾ ⁽⁹⁾
				Short Shaft Bushing Kit ⁽⁷⁾			
TA8407TB x 4-7/16 ▲	908020	26.0	1 x 1/2 x 12.82	TA8407TBS x 4-7/16	908027	26.9	1 x 1/2 x 8.10
TA8407TB x 4-3/16	908021	29.0	1 x 1/2 x 12.82	TA8407TBS x 4-3/16	908028	31.3	1 x 1/2 x 8.10
TA8407TB x 3-15/16	908022	32.1	1 x 1/2 x 12.82	TA8407TBS x 3-15/16	908029	35.6	1 x 1/2 x 8.10
TA8407TB x 3-7/16	908023	36.7	7/8 x 7/16 x 12.82	TA8407TBS x 3-7/16	908030	42.4	7/8 x 7/16 x 8.10
TA8407TB x 3-3/16	908024	38.4	3/4 x 3/8 x 12.82	TA8407TBS x 3-3/16	908031	45.3	3/4 x 3/8 x 8.10
TA8407TB x 3	908025	39.8	3/4 x 3/8 x 12.82	TA8407TBS x 3	908032	47.5	3/4 x 3/8 x 8.10
TA8407TB x 2-15/16	908026	40.4	3/4 x 3/8 x 12.82	TA8407TBS x 2-15/16	908033	48.3	3/4 x 3/8 x 8.10

▲ AGMA maximum bore size

(4) Bushing kit required to mount TA II reducer to driven shaft

(5) Bushing kit is not required to mount TA II reducer on SCS Drive Shaft in a screw conveyor application

(6) Standard Shaft Bushing Kit includes two standard bushings with back-up plates and snap rings; hardware, and key

(7) Short Shaft Bushing Kit includes one standard bushing, one long bushing with insertable wedge; two back-up plates with snap rings; hardware and key. This is an optional bushing for after market, short shaft mounting.

(8) Minimum keyseat and shaft length required to mount reducer with bushing kit

(9) Always check the driven shaft and key for strength



SELECTION/DIMENSIONS

TORQUE-ARM II Shaft Mount Speed Reducers

Motor Mount Dimensions - TA8407H, Position B & D

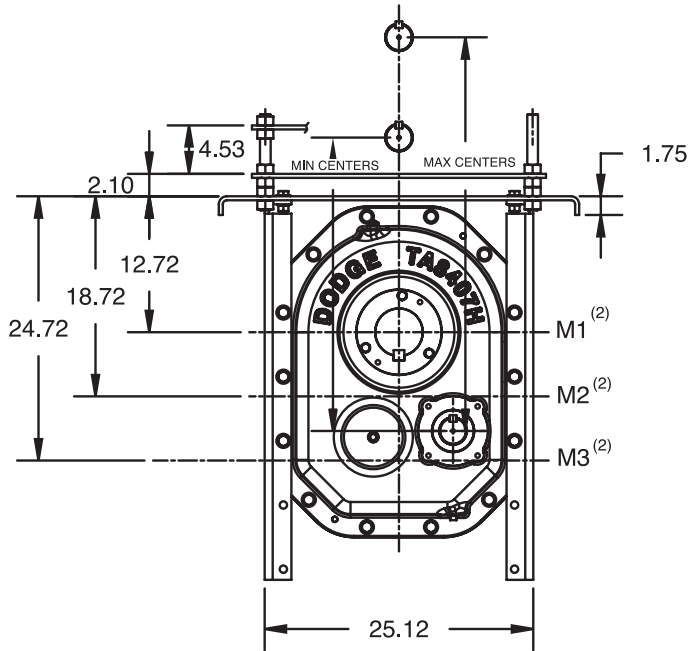
Gearing Reference Guide

TORQUE-ARM II

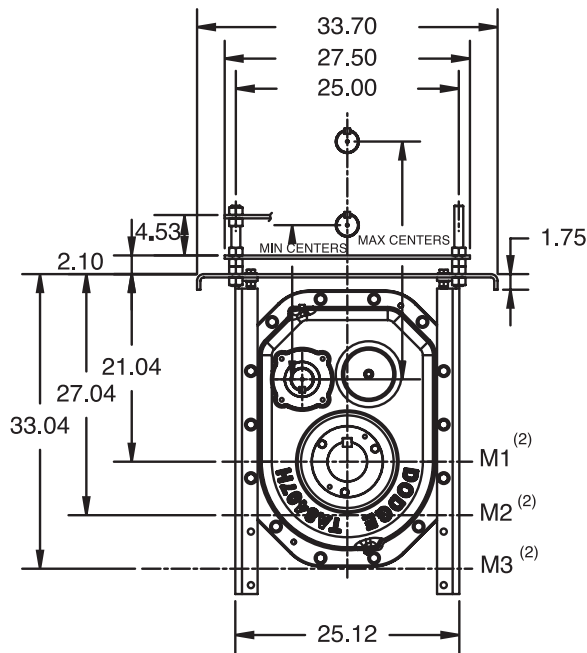
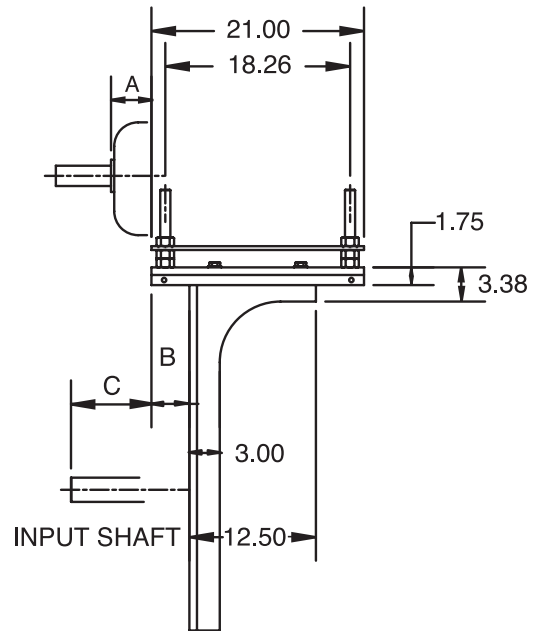
TORQUE-ARM

MAXUM

TIGEAR-2



POSITION B



POSITION D



SELECTION/DIMENSIONS

TORQUE-ARM II Shaft Mount Speed Reducers

Motor Mount Dimensions - TA8407H, Position B & D ⁽¹⁾

Mounting	Lateral Adjustment				Motor Mount Height ⁽²⁾	Motor Frame								
						213T & 215T		254T & 256T		284T & 286T				
	B Min	B Max	C Min	C Max		A	Centers		A	Centers		A	Centers	
						Min	Max		Min	Max		Min	Max	
Position B	1.59	5.91	5.78	10.10	M1	1.55	30.2	34.2	1.56	31.2	35.2	1.16	32.0	35.9
					M2		36.2	40.1		37.1	41.1		37.9	41.9
					M3		42.1	46.1		43.1	47.1		43.8	47.8
Position D	1.59	5.91	5.78	10.10	M1	1.55	20.3	24.2	1.56	21.3	25.2	1.16	22.0	25.9
					M2		26.1	30.1		27.1	31.1		27.9	31.8
					M3		32.1	36.0		33.0	37.0		33.8	37.8

Mounting	Lateral Adjustment				Motor Mount Height ⁽²⁾	Motor Frame								
						324T & 326T		364T & 365T		404T & 405T				
	B Min	B Max	C Min	C Max		A	Centers		A	Centers		A	Centers	
						Min	Max		Min	Max		Min	Max	
Position B	1.59	5.91	5.78	10.10	M1	0.38	32.9	36.9	1.01	33.9	37.9	0.75	34.9	38.9
					M2		38.9	42.9		39.9	43.9		40.9	44.9
					M3		44.8	48.8		45.8	49.8		46.8	50.8
Position D	1.59	5.91	5.78	10.10	M1	0.38	23.0	26.9	1.01	23.9	27.9	0.75	24.9	28.9
					M2		28.8	32.8		29.8	33.8		30.8	34.8
					M3		34.8	38.8		35.8	39.7		36.7	40.7

Note:

Minimum centers contains 0.5" to allow for belt assembly

(1) Motor mount will fit NEMA and IEC frame motors; hardware are inch dimensions

(2) M1, M2, M3 go through output shaft centerline



SELECTION/DIMENSIONS

TORQUE-ARM II Shaft Mount Speed Reducers

Motor Mount Dimensions - TA8407H, Position A & C

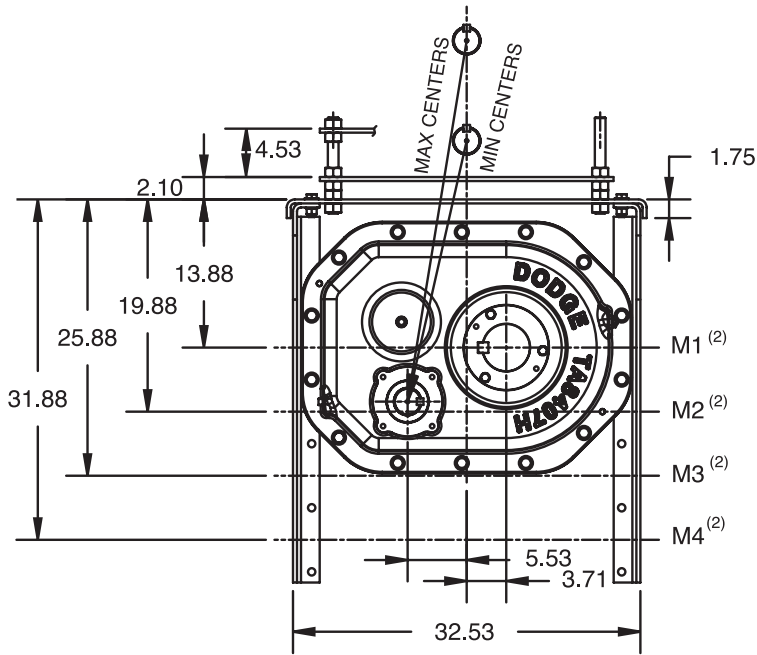
Gearing Reference Guide

TORQUE-ARM II

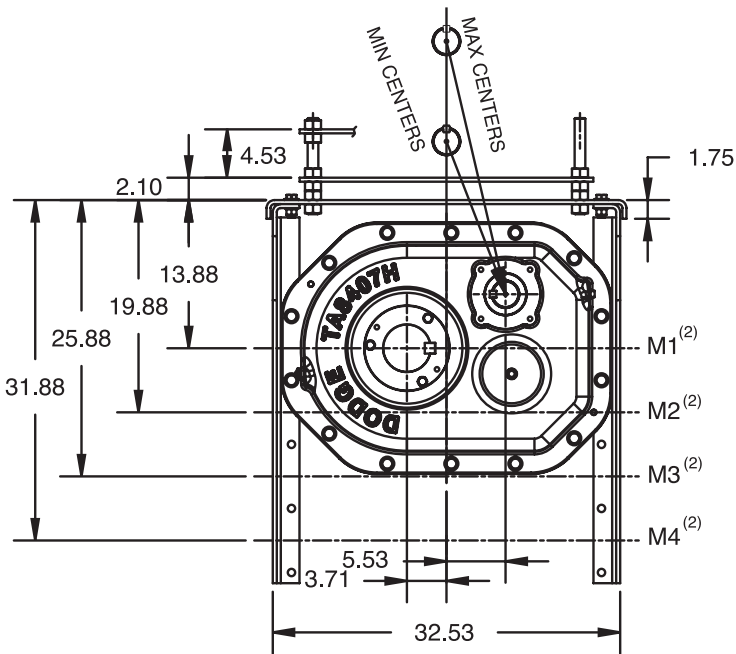
TORQUE-ARM

MAXUM

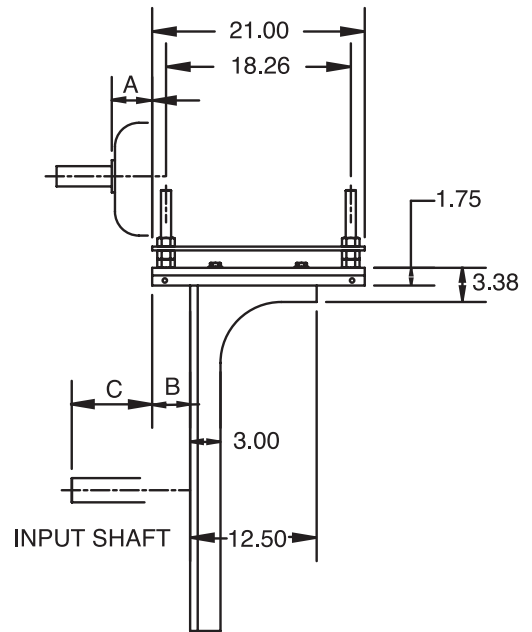
TIGEAR-2



POSITION A



POSITION C





SELECTION/DIMENSIONS

TORQUE-ARM II Shaft Mount Speed Reducers

Motor Mount Dimensions - TA8407H, Position A & C ⁽¹⁾

Mounting	Lateral Adjustment				Motor Mount Height ⁽²⁾	Motor Frame								
						213T & 215T			254T & 256T		284T & 286T			
	B Min	B Max	C Min	C Max		A	Centers		A	Centers		A	Centers	
Position A	1.59	5.91	7.04	11.36	M1	1.55	27.4	31.3	1.56	28.3	32.3	1.16	29.1	33.0
					M2		33.2	37.2		34.2	38.2		35.0	39.0
					M3		39.2	43.2		40.2	44.2		40.9	44.9
					M4		45.1	49.1		46.1	50.1		46.9	50.9
Position C	1.59	5.91	7.04	11.36	M1	1.55	17.6	21.4	1.56	18.5	22.4	1.16	19.2	23.1
					M2		23.3	27.3		24.3	28.2		25.0	29.0
					M3		29.2	33.2		30.2	34.1		30.9	34.9
					M4		35.1	39.1		36.1	40.1		36.8	40.8

Mounting	Lateral Adjustment				Motor Mount Height ⁽²⁾	Motor Frame								
						324T & 326T			364T & 365T		404T & 405T			
	B Min	B Max	C Min	C Max		A	Centers		A	Centers		A	Centers	
Position A	1.59	5.91	7.04	11.36	M1	0.38	30.1	34.0	1.01	31.0	35.0	0.75	32.0	36.0
					M2		36.0	39.9		37.0	40.9		37.9	41.9
					M3		41.9	45.9		42.9	46.9		43.9	47.9
					M4		47.9	51.9		48.8	52.8		49.8	53.8
Position C	1.59	5.91	7.04	11.36	M1	0.38	20.2	24.1	1.01	21.2	25.1	0.75	22.1	26.0
					M2		26.0	30.0		27.0	30.9		28.0	31.9
					M3		31.9	35.9		32.9	36.9		33.9	37.8
					M4		37.8	41.8		38.8	42.8		39.8	43.8

Note:

Minimum centers contains 0.5" to allow for belt assembly

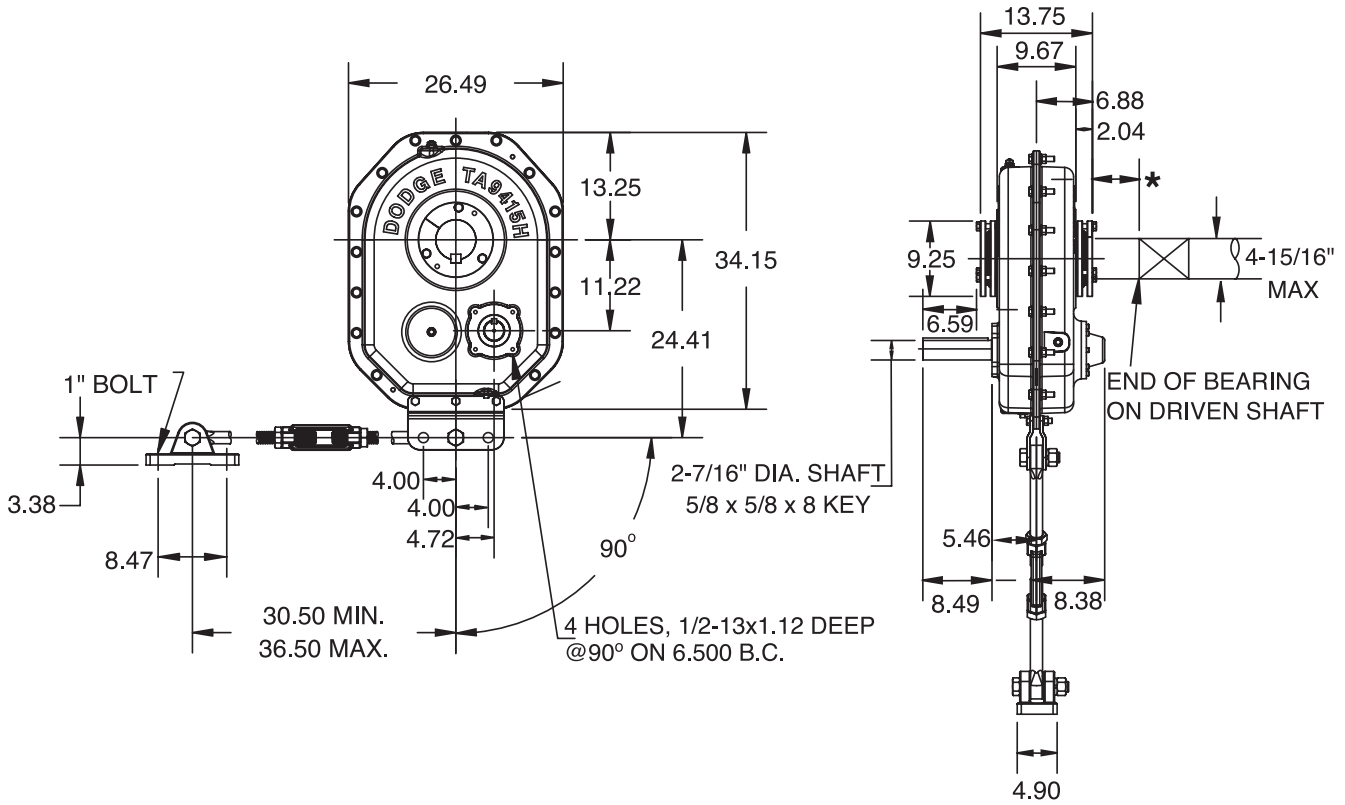
(1) Motor mount will fit NEMA and IEC frame motors; hardware are inch dimensions

(2) M1, M2, M3 go through output shaft centerline

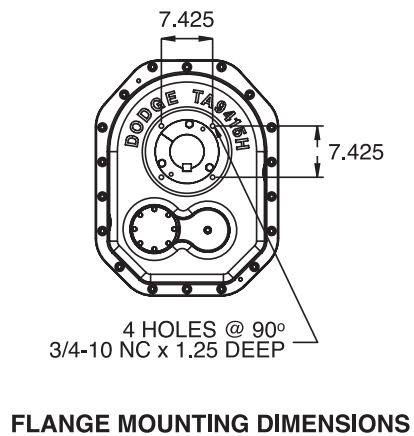
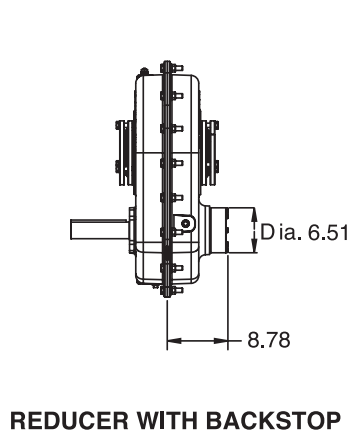


SELECTION/DIMENSIONS

TORQUE-ARM II Shaft Mount Speed Reducers Taper Bushed Reducers - TA9415H, Double Reduction



* 2.39" MINIMUM DISTANCE FOR BUSHING SCREW REMOVAL





SELECTION/DIMENSIONS

TORQUE-ARM II Shaft Mount Speed Reducers Taper Bushed Reducers - TA9415H, Double Reduction

TA9415H Taper Bushed Reducers ⁽¹⁾

Reducer Size	Part Number	AGMA Code	Actual Ratio	Weight lbs.
TA9415H15	909002	415D15	15.10	735.0
TA9415H25	909001	415D25	25.44	735.0
TA9415H40	909000	415D40	39.41	732.0

(1) Reducers are supplied from stock ready for vertical mounting and for flange mounting. Rod assembly is not included with reducer. Order as a separate part number.

+ Rod Assembly mounting locations are limited to positions shown in drawing.

TA9415H Accessories

Description	Part Number	Weight lbs.
TA9415RA Rod Assembly ⁽¹⁾ +	909109	76.8
TA9415BS Backstop Assembly ⁽²⁾	909102	20.0
TA7315/9415BS 40:1 Backstop Assembly ⁽²⁾	907103	21.0
TA9415MM Motor Mount Assembly (254-445T) ⁽³⁾	909090	273.7
TA9415BG Belt Guard - Pos. B (254-445T)	909096	158.1
TA9415BG Belt Guard - Pos. D (254-445T)	909099	159.1
TA9415CF Cooling Fan Assembly ●	909106	12.4
TA4-TA12 Vertical Breather Kit	904112	3.0
TA9415H V-Ring Kit	909249	0.5
Filter Breather Kit	430049	0.2
TA9415H Lube Kit	LUBEKITA9415	79.8

(2) See page G1-128 for input shaft speed necessary for backstop sprag lift-off

(3) Motor Mount will fit NEMA and IEC frame motors; however hardware are inch dimensions

● See page G1-120 for cooling fan dimensions

TA9415H Tapered Bushing Kits ⁽⁴⁾

Bushing Size	Part Number ⁽⁵⁾	Weight lbs.	Shaft Keyseat Required ^{(7) (8)}	Bushing Size	Part Number	Weight lbs.	Shaft Keyseat Required ^{(7) (8)}
Standard Shaft Bushing Kit				Short Shaft Bushing Kit ⁽⁶⁾			
TA9415TB x 4-15/16 ▲	909020	38.4	1-1/4 x 5/8 x 13.74	TA9415TBS x 4-15/16	909025	40.2	1-1/4 x 5/8 x 8.56
TA9415TB x 4-7/16	909021	43.4	1 x 1/2 x 13.74	TA9415TBS x 4-7/16	909026	48.8	1 x 1/2 x 8.56
TA9415TB x 4-3/16	909022	46.4	1 x 1/2 x 13.74	TA9415TBS x 4-3/16	909027	53.4	1 x 1/2 x 8.56
TA9415TB x 3-15/16	909023	49.2	1 x 1/2 x 13.74	TA9415TBS x 3-15/16	909028	57.7	1 x 1/2 x 8.56
TA9415TB x 3-7/16	909024	53.1	7/8 x 7/16 x 13.74	TA9415TBS x 3-7/16	909029	64.4	7/8 x 7/16 x 8.56

▲ AGMA maximum bore size

(4) Bushing kit required to mount TA II reducer to driven shaft

(5) Standard Shaft Bushing Kit includes two standard bushings with back-up plates and snap rings; hardware, and key

(6) Short Shaft Bushing Kit includes one standard bushing, one long bushing with insertable wedge; two back-up plates with snap rings; hardware and key. This is an optional bushing for after market, short shaft mounting.

(7) Minimum keyseat and shaft length required to mount reducer with bushing kit

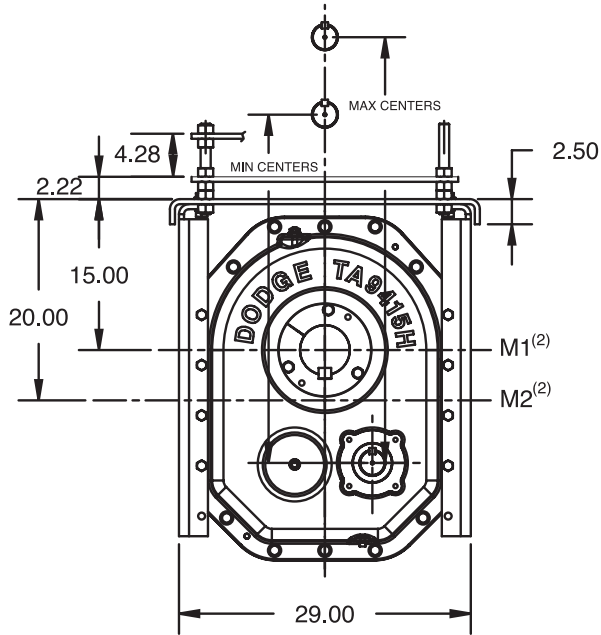
(8) Always check the driven shaft and key for strength



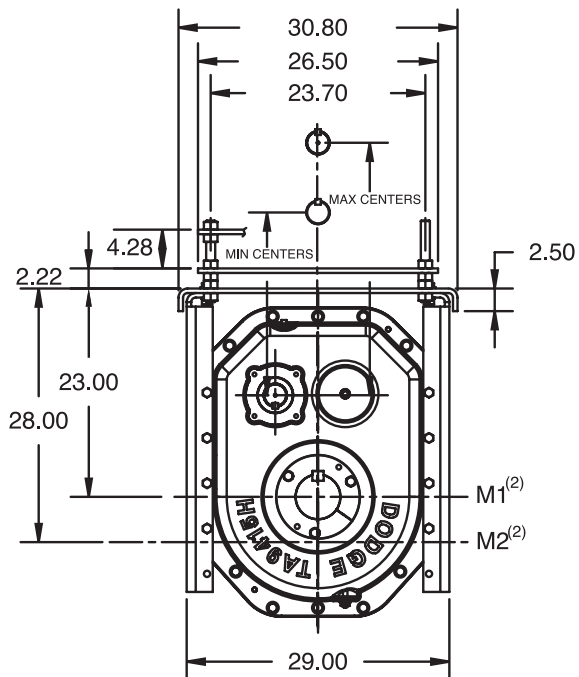
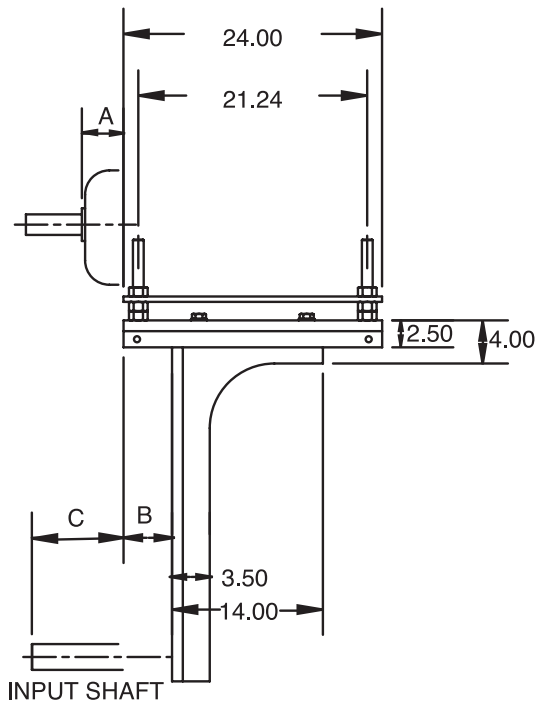
SELECTION/DIMENSIONS

TORQUE-ARM II Shaft Mount Speed Reducers

Motor Mount Dimensions - TA9415H, Position B & D



POSITION B



POSITION D



SELECTION/DIMENSIONS

TORQUE-ARM II Shaft Mount Speed Reducers

Motor Mount Dimensions - TA9415H, Position B & D ⁽¹⁾

Mounting	Lateral Adjustment				Motor Mount Height ⁽²⁾	Motor Frame								
						254T & 256T		284T & 286T		324T & 326T				
	B Min	B Max	C Min	C Max		A	Centers		A	Centers		A	Centers	
						Min	Max		Min	Max		Min	Max	
Position B	2.18	6.82	6.26	10.90	M1	1.56	35.5	39.2	1.16	36.2	40.0	0.38	37.2	41.0
					M2		40.5	44.2		41.2	45.0		42.2	46.0
Position D	2.18	6.82	6.26	10.90	M1	1.56	21.3	25.0	1.16	22.0	25.7	0.38	23.0	26.7
					M2		26.2	29.9		26.9	30.6		27.9	31.6

Mounting	Lateral Adjustment				Motor Mount Height ⁽²⁾	Motor Frame								
						364T & 365T		404T & 405T		444T & 445T				
	B Min	B Max	C Min	C Max		A	Centers		A	Centers		A	Centers	
						Min	Max		Min	Max		Min	Max	
Position B	2.18	6.82	6.26	10.90	M1	1.01	38.2	42.0	0.75	39.2	43.0	1.62	40.2	44.0
					M2		43.2	47.0		44.2	47.9		45.2	48.9
Position D	2.18	6.82	6.26	10.90	M1	1.01	24.0	27.7	0.75	25.0	28.7	1.62	25.9	29.7
					M2		28.9	32.6		29.9	33.6		30.9	34.6

Note:

Minimum centers contains 0.5" to allow for belt assembly

(1) Motor mount will fit NEMA and IEC frame motors; hardware are inch dimensions

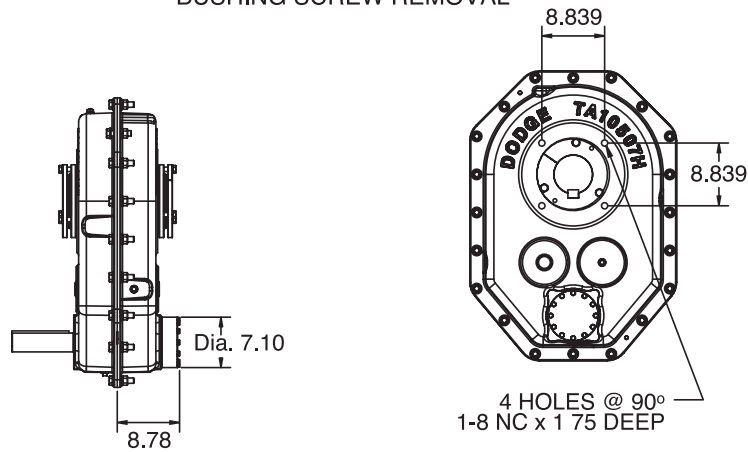
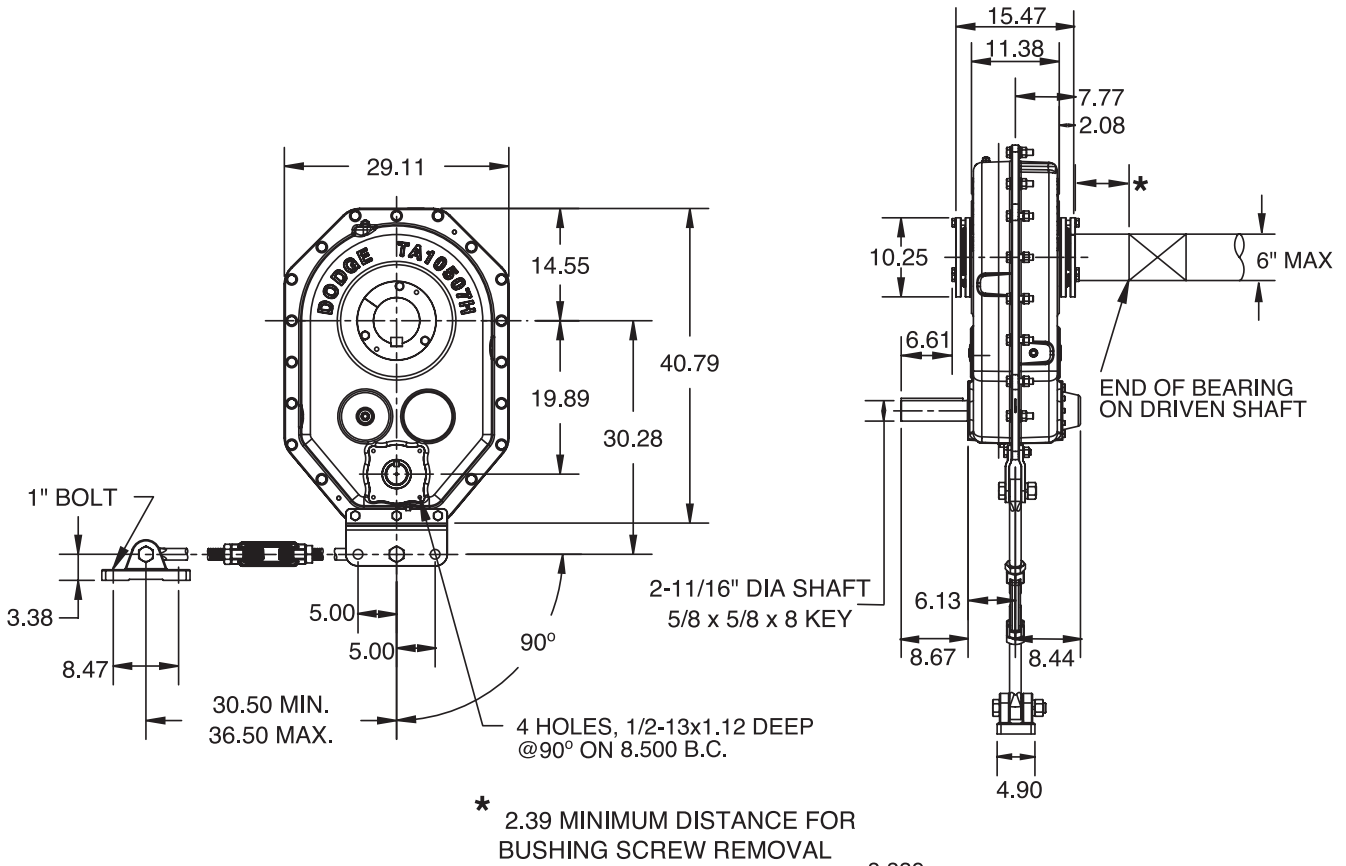
(2) M1, M2, M3 go through output shaft centerline



SELECTION/DIMENSIONS

TORQUE-ARM II Shaft Mount Speed Reducers

Taper Bushed Reducers - TA10507H, Double Reduction



REDUCER WITH BACKSTOP

FLANGE MOUNTING DIMENSIONS



SELECTION/DIMENSIONS

TORQUE-ARM II Shaft Mount Speed Reducers Taper Bushed Reducers - TA10507H, Double Reduction

TA10507H Taper Bushed Reducers ⁽¹⁾

Reducer Size	Part Number	AGMA Code	Actual Ratio	Weight lbs.
TA10507H15	910002	507D15	15.09	1022.0
TA10507H25	910001	507D25	25.18	1022.0
TA10507H40	910000	507D40	39.68	1018.0

(1) Reducers are supplied from stock ready for vertical mounting and for flange mounting. Rod assembly is not included with reducer. Order as a separate part number.

+ Rod Assembly mounting locations are limited to positions shown in drawing.

TA10507H Accessories

Description	Part Number	Weight lbs.
TA10507RA Rod Assembly ⁽¹⁾ +	910109	87.0
TA10507BS Backstop Assembly ⁽²⁾	910102	23.5
TA10507BS 40:1 Backstop Assembly ⁽²⁾	910103	25.0
TA10507MM Motor Mount Assembly (254-445T) ⁽³⁾	910090	286.7
TA10507BG Belt Guard - Pos. B (254-445T)	910096	158.1
TA10507BG Belt Guard - Pos. D (254-445T)	910099	175.0
TA10507CF Cooling Fan Assembly ●	910106	12.4
TA4-TA12 Vertical Breather Kit	904112	3.0
TA10507H V-Ring Kit	910249	0.8
Filter Breather Kit	430049	0.2
TA10507H Lube Kit	LUBEKITA10507	121.5

(2) See page G1-128 for input shaft speed necessary for backstop sprag lift-off

(3) Motor Mount will fit NEMA and IEC frame motors; however hardware are inch dimensions

● See page G1-120 for cooling fan dimensions

TA10507H Tapered Bushing Kits ⁽⁴⁾

Bushing Size Standard Shaft Bushing Kit	Part Number ⁽⁵⁾	Weight lbs.	Shaft Keyseat Required ^{(7) (8)}	Bushing Size	Part Number	Weight lbs.	Shaft Keyseat Required ^{(7) (8)}
				Short Shaft Bushing Kit ⁽⁶⁾			
TA10507TB x 6	910020	40.8	1-1/2 x 3/4 x 15.46	---	---	---	---
TA10507TB x 5-15/16	910021	43.2	1-1/2 x 3/4 x 15.46	---	---	---	---
TA10507TB x 5-7/16 ▲	910022	50.0	1-1/4 x 5/8 x 15.46	TA10507TBS x 5-7/16	910027	47.2	1-1/4 x 5/8 x 9.67
TA10507TB x 4-15/16	910023	57.8	1-1/4 x 5/8 x 15.46	TA10507TBS x 4-15/16	910028	66.9	1-1/4 x 5/8 x 9.67
TA10507TB x 4-7/16	910024	52.8	1 x 1/2 x 15.46	TA10507TBS x 4-7/16	910029	75.7	1 x 1/2 x 9.67
TA10507TB x 4-3/16	910025	65.6	1 x 1/2 x 15.46	TA10507TBS x 4-3/16	910030	80.5	1 x 1/2 x 9.67
TA10507TB x 3-15/16	910026	68.4	1 x 1/2 x 15.46	TA10507TBS x 3-15/16	910031	85.2	1 x 1/2 x 9.67

▲ AGMA maximum bore size

(4) Bushing kit required to mount TA II reducer to driven shaft

(5) Standard Shaft Bushing Kit includes two standard bushings with back-up plates and snap rings; hardware, and key

(6) Short Shaft Bushing Kit includes one standard bushing, one long bushing with insertable wedge; two back-up plates with snap rings; hardware and key. This is an optional bushing for after market, short shaft mounting.

(7) Minimum keyseat and shaft length required to mount reducer with bushing kit

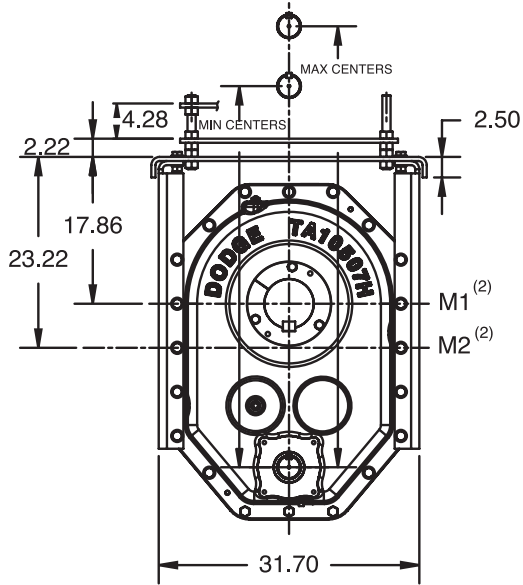
(8) Always check the driven shaft and key for strength



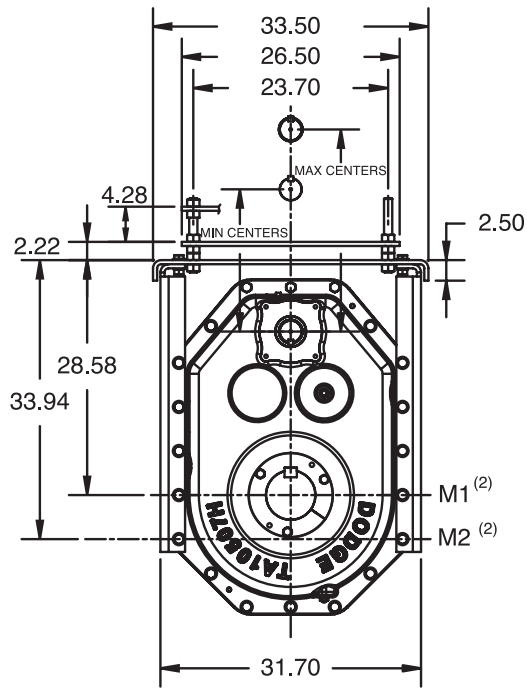
SELECTION/DIMENSIONS

TORQUE-ARM II Shaft Mount Speed Reducers

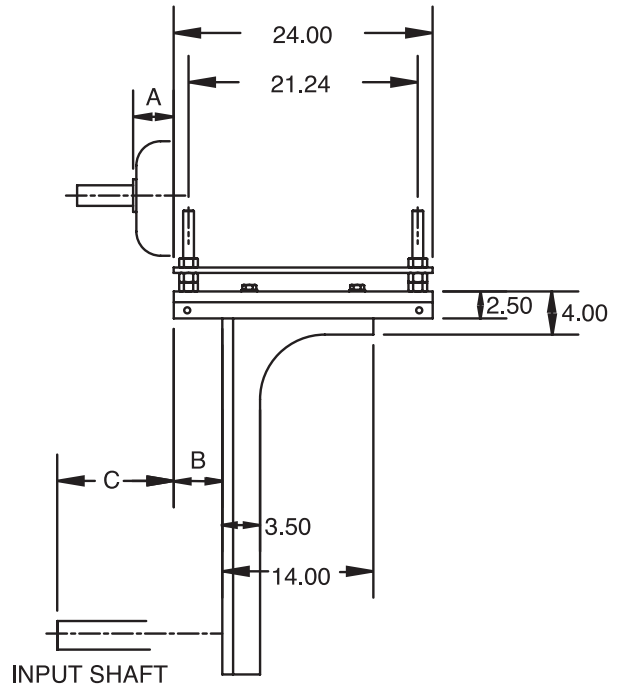
Motor Mount Dimensions - TA10507H, Position B & D



POSITION B



POSITION D



Gearing Reference Guide

TORQUE-ARM II

TORQUE-ARM

MAXUM

TIGEAR-2



SELECTION/DIMENSIONS

TORQUE-ARM II Shaft Mount Speed Reducers

Motor Mount Dimensions - TA10507H, Position B & D ⁽¹⁾

Mounting	Lateral Adjustment				Motor Mount Height ⁽²⁾	Motor Frame								
						254T & 256T			284T & 286T		324T & 326T			
	B Min	B Max	C Min	C Max		A	Centers		A	Centers		A	Centers	
							Min	Max		Min	Max		Min	Max
Position B	2.18	6.82	6.98	11.62	M1	1.56	46.7	50.5	1.16	47.5	51.2	0.38	48.5	52.2
					M2		52.1	55.9		52.8	56.6		53.8	57.6
Position D	2.18	6.82	6.98	11.62	M1	1.56	17.7	21.4	1.16	18.4	22.2	0.38	19.4	23.2
					M2		23.0	26.8		23.8	27.5		24.8	28.5

Mounting	Lateral Adjustment				Motor Mount Height ⁽²⁾	Motor Frame								
						364T & 365T			404T & 405T		444T & 445T			
	B Min	B Max	C Min	C Max		A	Centers		A	Centers		A	Centers	
							Min	Max		Min	Max		Min	Max
Position B	2.18	6.82	6.98	11.62	M1	1.01	49.5	53.2	0.75	50.5	54.2	1.62	51.5	55.2
					M2		54.8	58.6		55.8	59.6		56.8	60.6
Position D	2.18	6.82	6.98	11.62	M1	1.01	20.4	24.2	0.75	21.4	25.2	1.62	22.4	26.2
					M2		25.8	29.5		26.8	30.5		27.8	31.5

Note:

Minimum centers contains 0.5" to allow for belt assembly

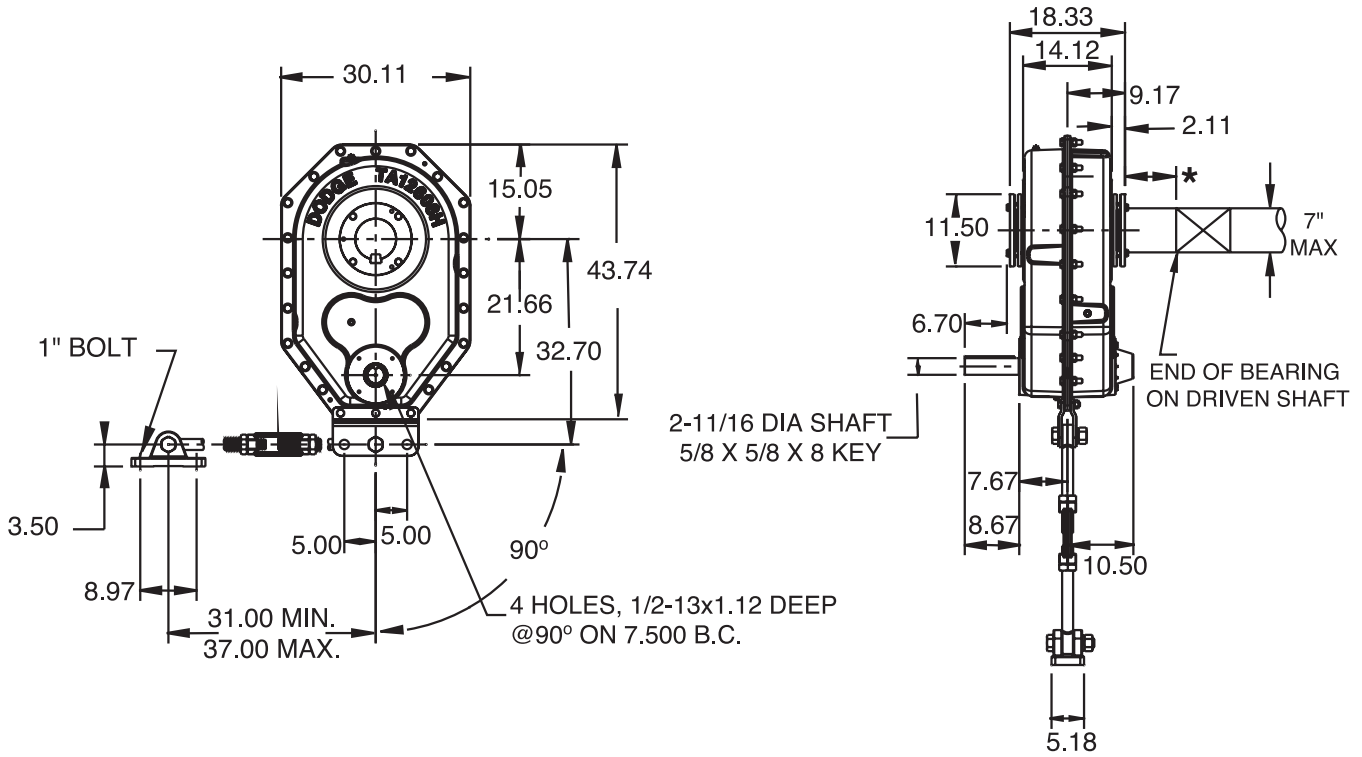
(1) Motor mount will fit NEMA and IEC frame motors; hardware are inch dimensions

(2) M1, M2, M3 go through output shaft centerline

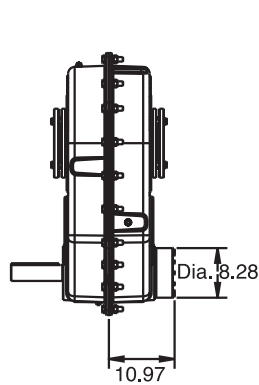


SELECTION/DIMENSIONS

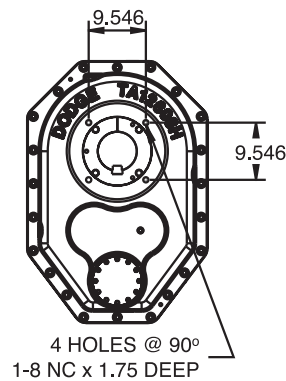
TORQUE-ARM II Shaft Mount Speed Reducers Taper Bushed Reducers - TA12608H, Double Reduction



* 2.39" MINIMUM DISTANCE FOR BUSHING SCREW REMOVAL



REDUCER WITH BACKSTOP



FLANGE MOUNTING DIMENSIONS



SELECTION/DIMENSIONS

TORQUE-ARM II Shaft Mount Speed Reducers Taper Bushed Reducers - TA12608H, Double Reduction

TA12608H Taper Bushed Reducers ⁽¹⁾

Reducer Size	Part Number	AGMA Code	Actual Ratio	Weight lbs.
TA12608H15	912002	608D15	14.79	1392.0
TA12608H25	912001	608D25	25.03	1395.0
TA12608H40	912000	608D40	38.19	1393.0

(1) Reducers are supplied from stock ready for vertical mounting and for flange mounting. Rod assembly is not included with reducer. Order as a separate part number.

+ Rod Assembly mounting locations are limited to positions shown in drawing.

TA12608H Accessories

Description	Part Number	Weight lbs.
TA12608RA Rod Assembly ⁽¹⁾ +	912109	106.4
TA12608BS Backstop Assembly ⁽²⁾	912102	40.0
TA12608BS 40:1 Backstop Assembly ⁽²⁾	912103	41.1
TA12608MM Motor Mount Assembly (254-445T) ⁽³⁾	912090	289.6
TA12608BG Belt Guard - Pos. B (254-445T)	912096	190.5
TA12608BG Belt Guard - Pos. D (254-445T)	912099	181.0
TA12608CF Cooling Fan Assembly ●	912106	13.7
TA4-TA12 Vertical Breather Kit	904112	3.0
TA12608H V-Ring Kit	912249	.08
Filter Breather Kit	430049	0.2
TA12608H Lube Kit	LUBEKITA12608	170.1

(2) See page G1-128 for input shaft speed necessary for backstop sprag lift-off

(3) Motor Mount will fit NEMA and IEC frame motors; however hardware are inch dimensions

● See page G1-120 for cooling fan dimensions

TA12608H Tapered Bushing Kits ⁽⁴⁾

Bushing Size Standard Shaft Bushing Kit	Part Number ⁽⁵⁾	Weight lbs.	Shaft Keyseat Required ^{(7) (8)}	Bushing Size	Part Number	Weight lbs.	Shaft Keyseat Required ^{(7) (8)}
				Short Shaft Bushing Kit ⁽⁶⁾			
TA12608TB x 7	912020	58.2	1-3/4 x 3/4 x 18.32	---	---	---	---
TA12608TB x 6-1/2 ▲	912021	67.8	1-1/2 x 3/4 x 18.32	TA12608TBS x 6-1/2	912027	73.5	1-1/2 x 3/4 x 11.60
TA12608TB x 6-7/16	912022	69.1	1-1/2 x 3/4 x 18.32	TA12608TBS x 6-7/16	912028	75.7	1-1/2 x 3/4 x 11.60
TA12608TB x 6	912023	78.1	1-1/2 x 3/4 x 18.32	TA12608TBS x 6	912029	90.5	1-1/2 x 3/4 x 11.60
TA12608TB x 5-15/16	912024	79.4	1-1/2 x 3/4 x 18.32	TA12608TBS x 5-15/16	912030	92.6	1-1/2 x 3/4 x 11.60
TA12608TB x 5-7/16	912025	86.7	1-1/4 x 5/8 x 18.32	TA12608TBS x 5-7/16	912031	106.1	1-1/4 x 5/8 x 11.60
TA12608TB x 4-15/16	912026	94.6	1-1/4 x 5/8 x 18.32	TA12608TBS x 4-15/16	912032	119.3	1-1/4 x 5/8 x 11.60

▲ AGMA maximum bore size

(4) Bushing kit required to mount TA II reducer to driven shaft

(5) Standard Shaft Bushing Kit includes two standard bushings with back-up plates and snap rings; hardware, and key

(6) Short Shaft Bushing Kit includes one standard bushing, one long bushing with insertable wedge; two back-up plates with snap rings; hardware and key. This is an optional bushing for after market, short shaft mounting.

(7) Minimum keyseat and shaft length required to mount reducer with bushing kit

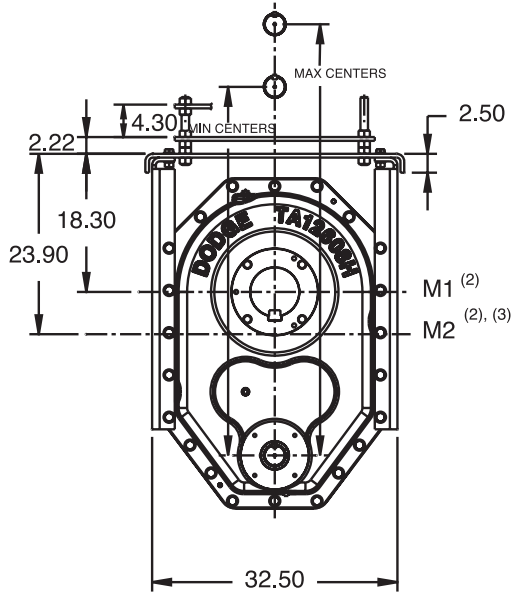
(8) Always check the driven shaft and key for strength



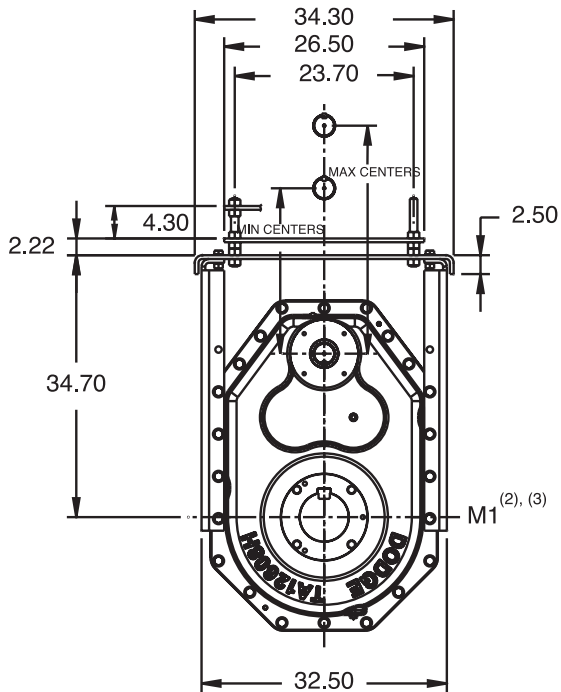
SELECTION/DIMENSIONS

TORQUE-ARM II Shaft Mount Speed Reducers

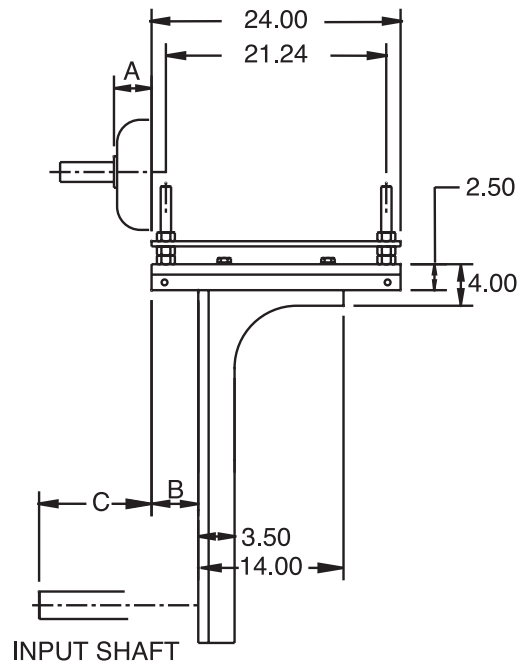
Motor Mount Dimensions - TA12608H, Position B & D



POSITION B



POSITION D



Gearing Reference Guide

TORQUE-ARM II

TORQUE-ARM

MAXUM

TIGEAR-2



SELECTION/DIMENSIONS

TORQUE-ARM II Shaft Mount Speed Reducers

Motor Mount Dimensions - TA12608H, Position B & D ⁽¹⁾

Mounting	Lateral Adjustment				Motor Mount Height ⁽²⁾	Motor Frame								
						254T & 256T			284T & 286T		324T & 326T			
	B Min	B Max	C Min	C Max		A	Centers		A	Centers		A	Centers	
						Min	Max		Min	Max		Min	Max	
Position B	1.68	7.32	8.02	13.66	M1	1.56	48.9	52.7	1.16	49.7	53.5	0.38	50.7	54.5
					M2		54.5	58.3		55.3	59.1		56.3	60.1
Position D	1.68	7.32	8.02	13.66	M1	1.56	22.0	25.8	1.16	22.8	26.6	0.38	23.8	27.6

Mounting	Lateral Adjustment				Motor Mount Height ⁽²⁾	Motor Frame								
						364T & 365T			404T & 405T		444T & 445T			
	B Min	B Max	C Min	C Max		A	Centers		A	Centers		A	Centers	
						Min	Max		Min	Max		Min	Max	
Position B	1.68	7.32	8.02	13.66	M1	1.01	51.7	55.5	0.75	52.7	56.5	1.62	53.7	57.5
					M2		57.3	61.1		58.3	62.1		59.3	63.1
Position D	1.68	7.32	8.02	13.66	M1	1.01	24.8	28.6	0.75	25.8	29.6	1.62	26.8	30.6

Note:

Minimum centers contains 0.5" to allow for belt assembly

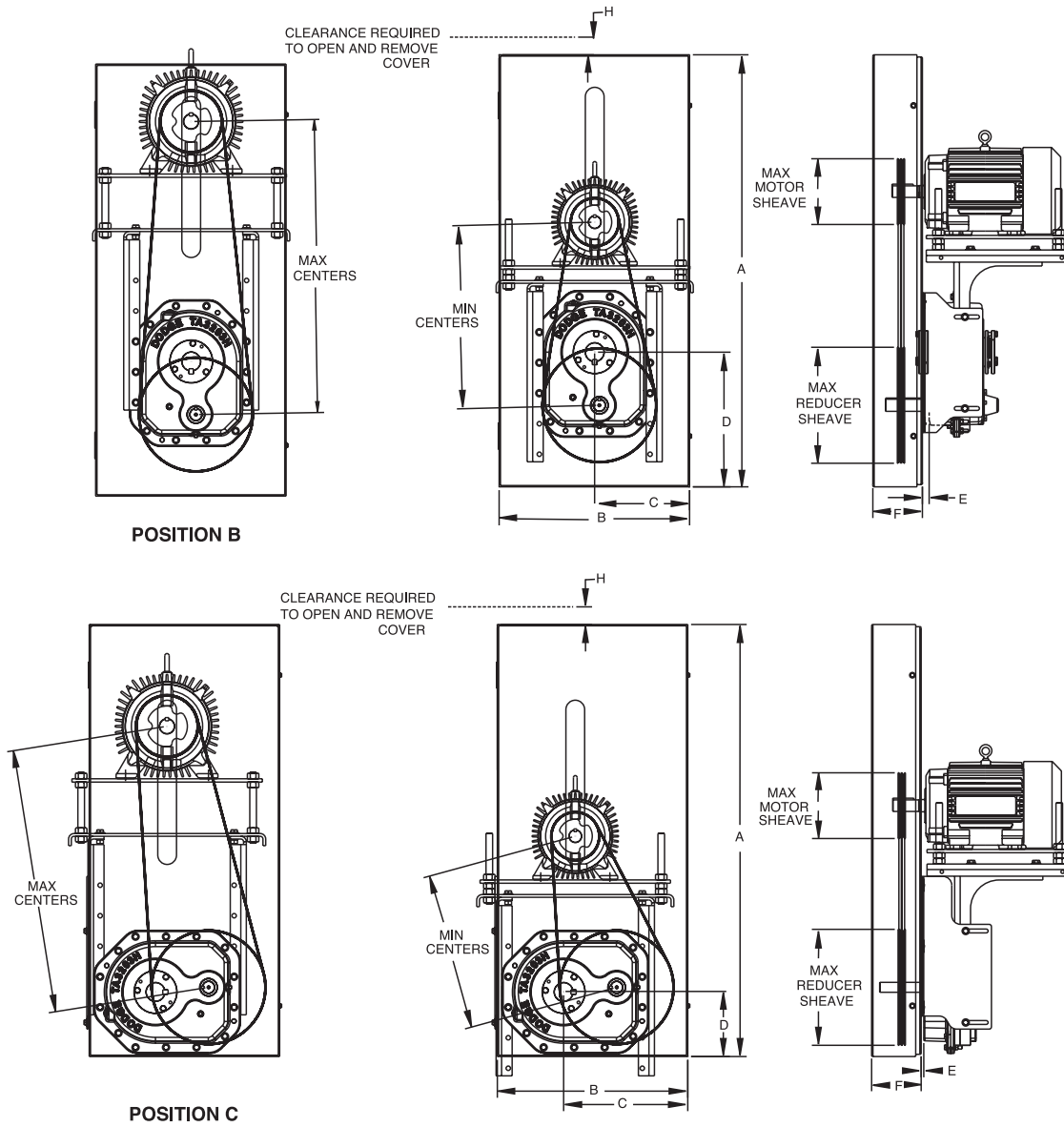
(1) Motor mount will fit NEMA and IEC frame motors; hardware are inch dimensions

(2) M1, M2, M3 go through output shaft centerline



SELECTION/DIMENSIONS

TORQUE-ARM II Shaft Mount Speed Reducers Belt Guard Dimensions, TA0107L - TA5215H





SELECTION/DIMENSIONS

TORQUE-ARM II Shaft Mount Speed Reducers Belt Guard Dimensions, TA0107L - TA5215H

Case Size	Mounting Position	Centers		Max Sheave Dia.		A	B	C
		Min	Max	Motor	Reducer			
TA0107L	B	16.7	26.9	11.0	12.4	41.50	16.00	8.00
	C	14.4	25.5	11.4	12.3	41.50	16.00	10.43
TA1107H	B	16.0	28.0	10.8	12.8	41.50	16.00	8.00
	C	16.0	26.3	9.4	9.4	41.50	16.00	11.55
TA2115H	B	17.8	31.1	8.6	12.8	43.50	19.25	9.62
	C	16.8	28.9	9.3	12.3	43.50	19.25	13.07
TA3203H	B	18.9	34.3	9.2	16.8	49.00	21.60	10.80
	C	15.0	31.0	15.8	14.0	49.00	21.60	14.12
TA4207H	B	21.8	38.3	10.3	16.9	53.50	24.60	12.30
	C	22.4	35.5	16.5	15.9	53.50	24.60	16.11
TA5215H	B	25.7	44.1	11.8	17.8	60.50	27.60	13.80
	C	25.6	39.6	18.6	16.9	60.50	27.60	17.85

Case Size	Mounting Position	D	E		F	H	J
			Min	Max			
TA0107L	B	11.74	0.04	1.66	4.23	2.00	4.22
	C	7.33	0.04	1.66	4.23	2.00	4.22
TA1107H	B	11.74	0.00	1.57	4.23	2.00	4.22
	C	5.50	0.00	1.62	4.23	2.00	4.22
TA2115H	B	12.70	0.19	1.60	4.23	2.00	4.22
	C	7.00	0.19	1.56	4.23	2.00	4.22
TA3203H	B	15.27	0.04	2.54	5.62	2.00	5.59
	C	7.32	0.09	2.66	5.62	2.00	5.59
TA4207H	B	16.56	0.00	2.50	5.62	2.00	5.59
	C	8.32	0.13	2.70	5.62	2.00	5.59
TA5215H	B	18.25	0.00	2.44	6.37	2.00	6.09
	C	9.60	0.08	2.64	6.37	2.00	6.09

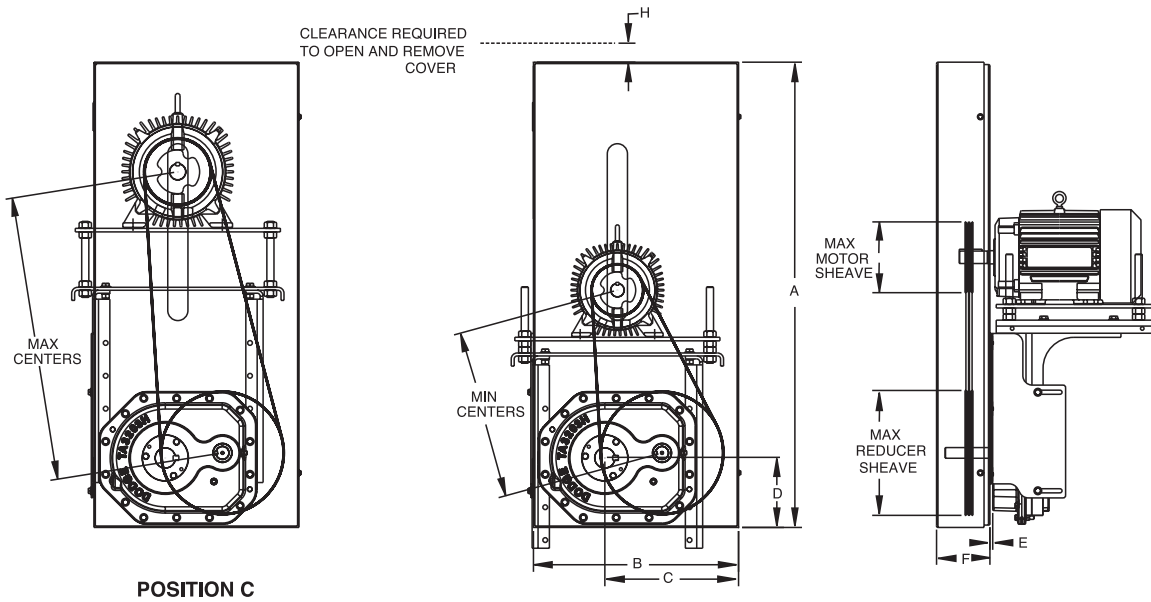
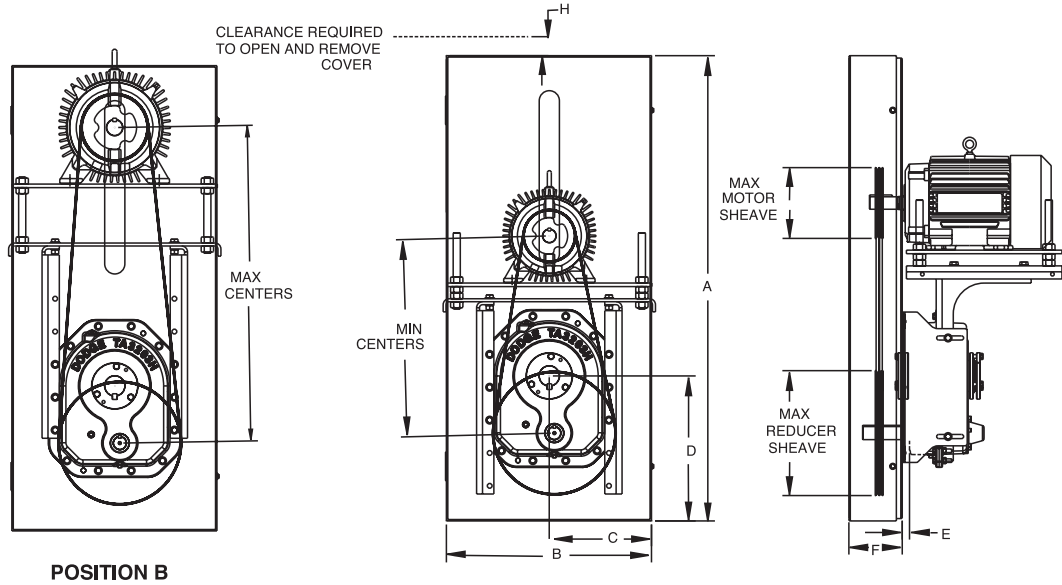
Notes:

1. Minimum centers allow 0.5" for belt assembly
2. Maximum sheave diameters allow 0.5" clearance for belt assembly
3. Range of center distances on belt guard may be less than the full range of center distances available on the motor mount
4. Belt guard cover is lift-off cover construction
5. Belt guard attaches to motor mount brackets
6. "E" maximum dimension allows clearance for cooling fan
7. Stock Position-B Belt Guards cannot be used with TA II Reducers mounted in 'D' position. Use a Position-D Belt Guard
8. Stock Position-C Belt Guards cannot be used with TA II Reducers mounted in 'A' position. A special belt guard is required. Consult DODGE for price and delivery.



SELECTION/DIMENSIONS

TORQUE-ARM II Shaft Mount Speed Reducers Belt Guard Dimensions, TA6307H - TA12608H





SELECTION/DIMENSIONS

TORQUE-ARM II Shaft Mount Speed Reducers Belt Guard Dimensions, TA6307H - TA12608H

Case Size	Mounting Position	Centers		Max Sheave Dias.		A	B	C
		Min	Max	Motor	Reducer			
TA6307H	B	26.6	46.5	12.8	19.9	64.50	29.10	14.15
	C	26.8	40.9	21.0	20.0	64.50	29.10	17.94
TA7315H	B	29.5	50.6	12.0	25.0	71.50	30.60	18.51
	C	28.6	43.6	22.0	25.0	71.50	30.60	22.39
TA8407H	B	29.7	50.8	12.0	25.2	71.50	30.60	13.45
	C	28.7	43.8	22.0	24.6	71.50	30.60	22.39
TA9415H	B	35.0	49.2	15.4	28.0	72.50	31.60	19.57
TA10507H	B	46.2	60.8	23.2	30.8	89.50	32.60	16.30
TA12608H	B	48.4	63.3	18.2	30.8	89.50	32.60	16.30

Case Size	Mounting Position	D	E		F	H	J
			Min	Max			
TA6307H	B	19.92	0.00	3.56	6.87	2.00	6.59
	C	10.72	0.00	3.60	6.87	2.00	6.59
TA7315H	B	23.38	0.00	4.43	7.37	2.00	7.09
	C	10.25	0.00	3.17	7.37	2.00	7.09
TA8407H	B	23.38	0.00	4.12	7.37	2.00	7.09
	C	10.25	0.00	2.86	7.37	2.00	7.09
TA9415H	B	26.22	0.00	3.50	8.37	2.00	8.09
TA10507H	B	36.14	0.00	3.56	8.87	2.00	8.59
TA12608H	B	37.91	0.00	3.56	8.87	2.00	8.59

Notes:

1. Minimum centers allow 0.5" for belt assembly
2. Maximum sheave diameters allow 0.5" clearance for belt assembly
3. Range of center distances on belt guard may be less than the full range of center distances available on the motor mount
4. Belt guard cover is lift-off cover construction
5. Belt guard attaches to motor mount brackets
6. "E" maximum dimension allows clearance for cooling fan
7. Stock Position-B Belt Guards cannot be used with TA II Reducers mounted in 'D' position. Use a Position-D Belt Guard
8. Stock Position-C Belt Guards cannot be used with TA II Reducers mounted in 'A' position. A special belt guard is required. Consult DODGE for price and delivery.



SELECTION/DIMENSIONS

TORQUE-ARM II Shaft Mount Speed Reducers

Cooling Fan Dimensions, TA4207H - TA12608H

When the thermal capacity of a TORQUE-ARM II reducer is exceeded, cooling fans provide an optional, inexpensive way of lowering the oil temperature, thus increasing the thermal horsepower capacity of the reducer. Selection tables indicate when a cooling fan is required.

The computer designed fan assembly, which fastens to the input shaft, is compact enough to allow installation of the V-drive originally designed for the reducer. The fan assemblies

are designed to allow free circulation of air at the back of the housing as well as through the front of the unit. The fan blade offers a radial streamline airflow, which means smaller fans yet a more efficient movement of air. See Figure 1 and Table 1 for cooling fan installation dimensions.

For thermal capacities beyond the range of cooling fans, pump and cooler auxiliary cooling packages may be used.

Note: See page G1-127 for maximum input shaft speeds.

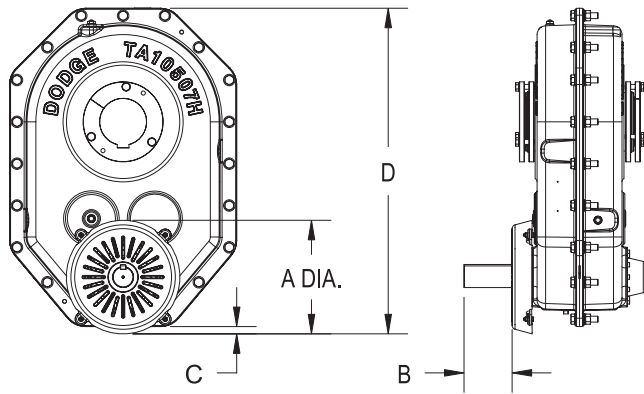


Figure 1 - Cooling Fan Assembly

Table 1 - Cooling Fan Installation Dimensions ●

Reducer	A Dia.	B	C	D
TA4207H	9.00	3.77	---	---
TA5215H	10.75	4.63	---	---
TA6307H	11.85	4.00	0.14	25.37
TA7315H	11.85	4.10	---	---
TA8407H	11.85	4.79	---	---
TA9415H	14.55	5.98	---	---
TA10507H	14.55	6.16	0.93	41.72
TA12608H	14.55	6.16	0.25	43.98

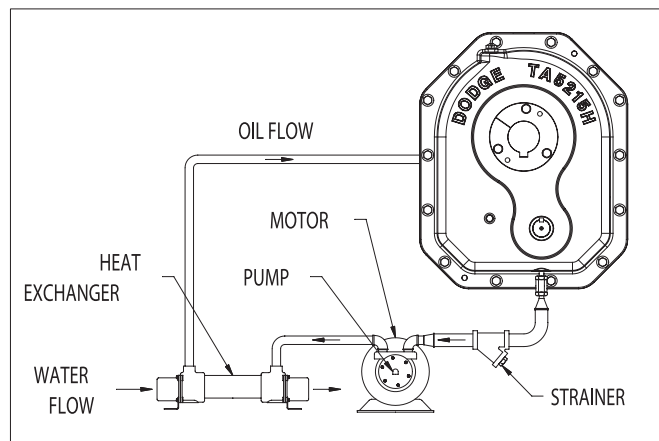
● See individual reducer pages for cooling fan part numbers

Reducer Pump and Auxiliary Cooling Package

For thermal capacities beyond the range of cooling fans, an optional pump and cooler auxiliary cooling package is available to prevent overheating the reducer and allow the use of full mechanical HP rating by lowering the oil temperature to an acceptable level.

Specifications for the heat exchanger are as follows: 1/2 HP, 60 Hz, 3 PH. 230/460 Volt, TEFC, 56 Frame. Maximum coolant (water) flow is 3 G.P.M. based upon a maximum water temperature of 80 degrees F. Minimum oil temperature for operation is 60 degrees F.

Figure 2 - Pump and Auxiliary Cooling Package, Part Number 014148





RELATED PRODUCTS

TORQUE-ARM II Shaft Mount Speed Reducers Harsh Duty Accessories

XT Safety & Sealing And XT Hostile Environment Metal End Covers (1) (2)

Reducer Size	End Cover Part Numbers			Weight
	Closed	Weight	Split	
TA0107L	900114	0.3	900115	0.3
TA1107H	901114	0.5	901115	0.4
TA2115H	902114	0.6	902115	0.5
TA3203H	903114	1.0	903115	0.6
TA4207H	904114	1.2	904115	1.0
TA5215H	905114	1.3	905115	1.3
TA6307H	906114	1.0	906115	1.5
TA7315H	907114	1.2	907115	1.5
TA8407H	908114	2.5	908115	2.5
TA9415H	909114	4.0	909115	1.7
TA10507H	910114	4.6	910115	3.9
TA12608H	912114	4.8	912115	4.1

- (1) End covers fit both the input side and back stop side of TA II reducer. See Drawing A and Table 3 for dimensions.
- (2) If a TA II Belt Guard is used, an end cover for the input side of the reducer is not needed and will not fit.

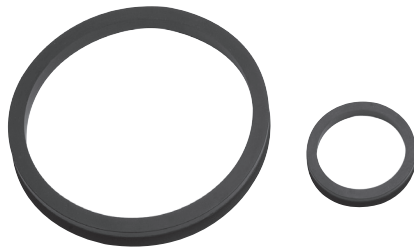
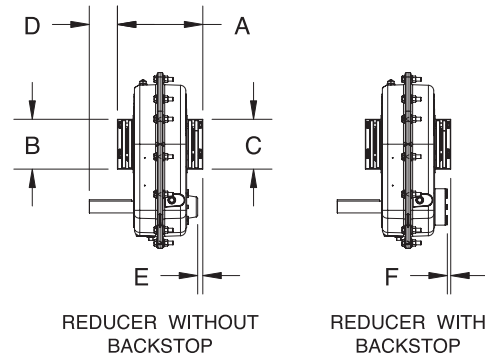


Table 3

Reducer Size	A	B	C	D	E	F
TA0107L	7.77	3.63	3.63	2.14	0.22	0.05
TA1107H	7.95	4.13	4.13	2.02	-0.05	-0.22
TA2115H	8.80	4.75	4.75	2.19	0.07	-0.10
TA3203H	9.68	5.25	5.25	3.19	0.08	-0.10
TA4207H	9.95	5.88	5.88	3.21	0.14	-0.04
TA5215H	11.57	6.75	6.75	3.81	0.70	0.46
TA6307H	12.12	6.88	6.88	5.12	0.66	0.41
TA7315H	13.18	8.13	8.13	4.92	0.00	-0.41
TA8407H	14.12	8.38	8.38	5.45	0.19	-0.06
TA9415H	15.17	9.63	9.63	6.37	-0.79	-1.20
TA10507H	16.88	10.63	10.63	6.36	0.00	-0.34
TA12608H	19.75	11.88	11.88	6.47	-0.63	-1.09

Drawing A - Metal End Cover



Optional V-Ring Flinger Seal Kit For Harsh Duty Environments (1)

Reducer Size	Part Number	Weight
TA0107L	900249	0.1
TA1107H	901249	0.1
TA2115H	902249	0.2
TA3203H	903249	0.2
TA4207H	904249	0.3
TA5215H	905249	0.3
TA6307H	906249	0.4
TA7315H	907249	0.4
TA8407H	907249	0.4
TA9415H	909249	0.5
TA10507H	910249	0.8
TA12608H	912249	0.8

- (1) Consists of 1 input and 2 output V-ring seals which fit in seal OD of housing; provides additional sealing protection for keeping contaminants out of reducer.

Metal End Covers



RELATED PRODUCTS

DODGE®


TORQUE-ARM II Shaft Mount Speed Reducers Harsh Duty Accessories



Enclosed Breather Chamber

Reducer Size	Part Number
TA0-TA9	240050
TA10-TA12	240051

Filter Breather (1)

Reducer Size	Part Number
TA0-TA3	430048
TA4-TA12	430049

(1) 40 micron mesh opening in filter allows reducer to breathe, yet keep dust out, and extreme conditions.



Filter Breather



Oil Sump Heater

Oil Sump Immersion Heaters (2)

Reducer Size	Part Number
TA0 - TA3	Not Available
TA4	241103 (3)
TA5-TA6	241103
TA7-TA9	241105
TA10 - TA12	Consult DODGE

- (2) 120 volt single phase, AC cartridge heater, threads into tapped housing hole. Provides for approximately 70 degrees (F) temperature rise in one hour for cold climates. Simple time phased on/off construction without thermostat.
- (3) Reducer has to be factory modified to allow installation of sump heater. Reducer mounting position will determine modification requirement. Consult DODGE.

TORQUE-ARM II Shaft Mount Speed Reducers TDNC Coated Tapered Bushings (Thin Dense Nickel Chrome)



- TDNC coated for maximum corrosion resistance with minimum premium cost adder
- TDNC bushings, backing plates and snap rings
- Corrosion resistant bolts and lock washers
- TA II has the highest average HP ratings per case size in its class
- Meets or exceeds AGMA standards
- 36 / 18 month warranty



RELATED PRODUCTS

TORQUE-ARM II Shaft Mount Speed Reducers

Maximum Bore Straight Bore TA II Reducers ^{(1) (2) (3)}

Reducer Size	Max. Bore	TA II Reducer									
		5:1		9:1		15:1		25:1		31:1 - 40:1	
		Part No.	Weight	Part No.	Weight	Part No.	Weight	Part No.	Weight	Part No.	Weight
TA1107H	1-11/16"	901149	56.6	901148	58.0	901147	57.9	901146	57.9	901145	58.0
TA3203H	2-7/16"	903149	109.2	903148	113.3	903147	113.1	903146	112.8	903145	112.0
TA4207H	2-15/16"	904149	182.0	904148	190.7	904147	190.3	904146	189.6	904145	189.0
TA5215H	3-7/16"	905149	262.4	905148	277.0	905147	276.5	905146	275.5	905145	274.7
TA6307H	3-15/16"	906149	316.0	906148	334.0	906147	333.0	906146	331.0	906145	330.0

(1) See individual reducer catalog pages for accessories for above reducers

(2) Non-stock, made-to-order reducers

(3) See Drawing B and Table 4 for catalog dimensions for Maximum Bore Straight Bore TA II Reducers

Drawing B - Maximum Bore Straight Bore Reducers

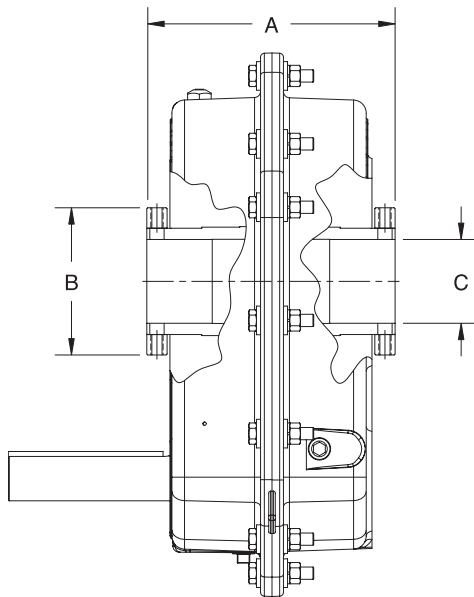


Table 4 ⁽⁴⁾

Reducer Size	A	B	C Bore	Shaft Keyseat Required ⁽⁵⁾
TA1107H	5.82	3.50	1-11/16"	3/8 x 3/16 x 5.81
TA3203H	7.59	4.50	2-7/16"	5/8 x 5/16 x 7.58
TA4207H	8.02	5.00	2-15/16"	3/4 x 3/8 x 8.01
TA5215H	8.97	5.50	3-7/16"	7/8 x 7/16 x 8.96
TA6307H	9.40	5.75	3-15/16"	1 x 1/2 x 9.39

(4) Always check the driven shaft and key for strength

(5) Minimum keyset and shaft length required to mount reducer



RELATED PRODUCTS

TORQUE-ARM II Shaft Mount Speed Reducers

Nominal Sheave Ratios Required For Dodge TORQUE-ARM II Reducers - 5:1, 9:1, 15:1

Reducer Output RPM	5:1 Nominal Reducer Ratio			Reducer Output RPM	9:1 Nominal Reducer Ratio			Reducer Output RPM	15:1 Nominal Reducer Ratio		
	Motor Speed				Motor Speed				Motor Speed		
	1750	1450	1170		1750	1450	1170		1750	1450	1170
400	1.14	1.38	1.71	200	1.03	1.24	1.54	120	1.03	1.24	1.54
395	1.13	1.36	1.69	198	1.02	1.23	1.52	118	1.01	1.22	1.51
390	1.11	1.34	1.67	196	1.01	1.22	1.51	116	1.01	1.20	1.49
385	1.10	1.33	1.65	194	1.00	1.20	1.49	114	1.02	1.18	1.46
380	1.09	1.31	1.62	192	1.01	1.19	1.48	112	1.04	1.16	1.44
375	1.07	1.29	1.60	190	1.02	1.18	1.46	110	1.06	1.14	1.41
370	1.06	1.28	1.58	188	1.03	1.17	1.45	108	1.08	1.12	1.38
365	1.04	1.26	1.56	186	1.05	1.15	1.43	106	1.10	1.10	1.36
360	1.03	1.24	1.54	184	1.06	1.14	1.42	104	1.12	1.08	1.33
355	1.01	1.22	1.52	182	1.07	1.13	1.40	102	1.14	1.06	1.31
350	1.00	1.21	1.50	180	1.08	1.12	1.38	100	1.17	1.03	1.28
345	1.01	1.19	1.47	178	1.09	1.10	1.37	98	1.19	1.01	1.26
340	1.03	1.17	1.45	176	1.10	1.09	1.35	96	1.22	1.01	1.23
335	1.04	1.16	1.43	174	1.12	1.08	1.34	94	1.24	1.03	1.21
330	1.06	1.14	1.41	172	1.13	1.07	1.32	92	1.27	1.05	1.18
325	1.08	1.12	1.39	170	1.14	1.06	1.31	90	1.30	1.07	1.15
320	1.09	1.10	1.37	168	1.16	1.04	1.29	88	1.33	1.10	1.13
315	1.11	1.09	1.35	166	1.17	1.03	1.28	86	1.36	1.12	1.10
310	1.13	1.07	1.32	164	1.19	1.02	1.26	84	1.39	1.15	1.08
305	1.15	1.05	1.30	162	1.20	1.01	1.25	82	1.42	1.18	1.05
300	1.17	1.03	1.28	160	1.22	1.01	1.23	80	1.46	1.21	1.03
295	1.19	1.02	1.26	158	1.23	1.02	1.22	78	1.50	1.24	1.00
290	1.21	1.00	1.24	156	1.25	1.03	1.20	76	1.54	1.27	1.03
285	1.23	1.02	1.22	154	1.26	1.05	1.18	74	1.58	1.31	1.05
280	1.25	1.04	1.20	152	1.28	1.06	1.17	72	1.62	1.34	1.08
275	1.27	1.05	1.18	150	1.30	1.07	1.15	70	1.67	1.38	1.11
270	1.30	1.07	1.15	148	1.31	1.09	1.14	68	1.72	1.42	1.15
265	1.32	1.09	1.13	146	1.33	1.10	1.12	66	1.77	1.46	1.18
260	1.35	1.12	1.11	144	1.35	1.12	1.11	64	1.82	1.51	1.22
255	1.37	1.14	1.09	142	1.37	1.13	1.09	62	1.88	1.56	1.26
250	1.40	1.16	1.07	140	1.39	1.15	1.08	60	1.94	1.61	1.30
245	1.43	1.18	1.05	138	1.41	1.17	1.06	58	2.01	1.67	1.34
240	1.46	1.21	1.03	136	1.43	1.18	1.05	56	2.08	1.73	1.39
235	1.49	1.23	1.00	134	1.45	1.20	1.03	54	2.16	1.79	1.44
230	1.52	1.26	1.02	132	1.47	1.22	1.02	52	2.24	1.86	1.50
225	1.56	1.29	1.04	130	1.50	1.24	1.00	50	2.33	1.93	1.56
220	1.59	1.32	1.06	128	1.52	1.26	1.02	48	2.43	2.01	1.63
215	1.63	1.35	1.09	126	1.54	1.28	1.03	46	2.54	2.10	1.70
210	1.67	1.38	1.11	124	1.57	1.30	1.05	44	2.65	2.20	1.77
205	1.71	1.41	1.14	122	1.59	1.32	1.07	42	2.78	2.30	1.86
200	1.75	1.45	1.17	120	1.62	1.34	1.08	40	2.92	2.42	1.95
195	1.79	1.49	1.20	118	1.65	1.37	1.10	38	3.07	2.54	2.05
190	1.84	1.53	1.23	116	1.68	1.39	1.12	36	3.24	2.69	2.17
185	1.89	1.57	1.26	114	1.71	1.41	1.14	34	3.43	2.84	2.29
180	1.94	1.61	1.30	112	1.74	1.44	1.16	32	3.65	3.02	2.44
175	2.00	1.66	1.34	110	1.77	1.46	1.18	30	3.89	3.22	2.60
170	2.06	1.71	1.38	108	1.80	1.49	1.20	28	4.17	3.45	2.79
165	2.12	1.76	1.42	106	1.83	1.52	1.23	26	4.49	3.72	3.00
160	2.19	1.81	1.46	104	1.87	1.55	1.25	24	4.86	4.03	3.25
155	2.26	1.87	1.51	102	1.91	1.58	1.27	22	5.30	4.39	3.55
150	2.33	1.93	1.56	100	1.94	1.61	1.30	20	5.83	4.83	3.90
145	2.41	2.00	1.61					18	6.48	5.37	4.33
140	2.50	2.07	1.67					16	7.29	6.04	4.88
135	2.59	2.15	1.73					14	8.33	6.90	5.57
130	2.69	2.23	1.80					12	9.72	8.06	6.50
125	2.80	2.32	1.87					10	11.67	9.67	7.80
120	2.92	2.42	1.95								
115	3.04	2.52	2.03								
110	3.18	2.64	2.13								
105	3.33	2.76	2.23								
100	3.50	2.90	2.34								

Note: Speed increase ratios are shown in bold type



RELATED PRODUCTS

TORQUE-ARM II Shaft Mount Speed Reducers

Nominal Sheave Ratios Required For Dodge TORQUE-ARM II Reducers - 25:1, 31-33:1, 40:1

Reducer Output RPM	25:1 Nominal Reducer Ratio			Reducer Output RPM	31:1, 32:1 and 33:1 Nominal Reducer Ratios			Reducer Output RPM	40:1 Nominal Reducer Ratio		
	Motor Speed				Motor Speed				Motor Speed		
	1750	1450	1170		1750	1450	1170		1750	1450	1170
80	1.14	1.38	1.71	50	1.09	1.10	1.37	50	1.14	1.38	1.71
78	1.11	1.34	1.67	48	1.14	1.06	1.31	48	1.10	1.32	1.64
76	1.09	1.31	1.62	46	1.19	1.02	1.26	46	1.05	1.27	1.57
74	1.06	1.28	1.58	44	1.24	1.03	1.20	44	1.01	1.21	1.50
72	1.03	1.24	1.54	42	1.30	1.08	1.15	42	1.04	1.16	1.44
70	1.00	1.21	1.50	40	1.37	1.13	1.09	40	1.09	1.10	1.37
68	1.03	1.17	1.45	38	1.44	1.19	1.04	38	1.15	1.05	1.30
66	1.06	1.14	1.41	36	1.52	1.26	1.02	36	1.22	1.01	1.23
64	1.09	1.10	1.37	34	1.61	1.33	1.08	34	1.29	1.07	1.16
62	1.13	1.07	1.32	32	1.71	1.42	1.14	32	1.37	1.13	1.09
60	1.17	1.03	1.28	30	1.82	1.51	1.22	30	1.46	1.21	1.03
58	1.21	1.00	1.24	28	1.95	1.62	1.31	28	1.56	1.29	1.04
56	1.25	1.04	1.20	26	2.10	1.74	1.41	26	1.68	1.39	1.13
54	1.30	1.07	1.15	24	2.28	1.89	1.52	24	1.82	1.51	1.22
52	1.35	1.12	1.11	22	2.49	2.06	1.66	22	1.99	1.65	1.33
50	1.40	1.16	1.07	20	2.73	2.27	1.83	20	2.19	1.81	1.46
48	1.46	1.21	1.03	18	3.04	2.52	2.03	18	2.43	2.01	1.63
46	1.52	1.26	1.02	16	3.42	2.83	2.29	16	2.73	2.27	1.83
44	1.59	1.32	1.06	14	3.91	3.24	2.61	14	3.13	2.59	2.09
42	1.67	1.38	1.11	12	4.56	3.78	3.05	12	3.65	3.02	2.44
40	1.75	1.45	1.17	10	5.47	4.53	3.66	10	4.38	3.63	2.93
38	1.84	1.53	1.23	8	6.84	5.66	4.57	8	5.47	4.53	3.66
36	1.94	1.61	1.30	6	9.11	7.55	6.09	6	7.29	6.04	4.88
34	2.06	1.71	1.38								
32	2.19	1.81	1.46								
30	2.33	1.93	1.56								
28	2.50	2.07	1.67								
26	2.69	2.23	1.80								
24	2.92	2.42	1.95								
22	3.18	2.64	2.13								
20	3.50	2.90	2.34								
18	3.89	3.22	2.60								
16	4.38	3.63	2.93								
14	5.00	4.14	3.34								
12	5.83	4.83	3.90								
10	7.00	5.80	4.68								
8	8.75	7.25	5.85								
6	11.67	9.67	7.80								

Note: Speed increase ratios are shown in bold type



RELATED PRODUCTS

TORQUE-ARM II Shaft Mount Speed Reducers

Nominal Sheave Speed (RPM) At Input For Dodge Reducers - 1750 Motor

Reducer Output RPM	5:1 Nominal Reducer Ratio	Reducer Output RPM	9:1 Nominal Reducer Ratio	Reducer Output RPM	15:1 Nominal Reducer Ratio	Reducer Output RPM	25:1 Nominal Reducer Ratio	Reducer Output RPM	31:1, 32:1 and 33:1 Nominal Reducer Ratio	Reducer Output RPM	40:1 Nominal Reducer Ratio
400	2000	200	1800	120	1800	80	2000	50	1600	50	2000
395	1975	198	1782	118	1770	78	1950	48	1536	48	1920
390	1950	196	1764	116	1740	76	1900	46	1472	46	1840
385	1925	194	1746	114	1710	74	1850	44	1408	44	1760
380	1900	192	1728	112	1680	72	1800	42	1344	42	1680
375	1875	190	1710	110	1650	70	1750	40	1280	40	1600
370	1850	188	1692	108	1620	68	1700	38	1216	38	1520
365	1825	186	1674	106	1590	66	1650	36	1152	36	1440
360	1800	184	1656	104	1560	64	1600	34	1088	34	1360
355	1775	182	1638	102	1530	62	1550	32	1024	32	1280
350	1750	180	1620	100	1500	60	1500	30	960	30	1200
345	1725	178	1602	98	1470	58	1450	28	896	28	1120
340	1700	176	1584	96	1440	56	1400	26	832	26	1040
335	1675	174	1566	94	1410	54	1350	24	768	24	960
330	1650	172	1548	92	1380	52	1300	22	704	22	880
325	1625	170	1530	90	1350	50	1250	20	640	20	800
320	1600	168	1512	88	1320	48	1200	18	576	18	720
315	1575	166	1494	86	1290	46	1150	16	512	16	640
310	1550	164	1476	84	1260	44	1100	14	448	14	560
305	1525	162	1458	82	1230	42	1050	12	384	12	480
300	1500	160	1440	80	1200	40	1000	10	320	10	400
295	1475	158	1422	78	1170	38	950	8	256	8	320
290	1450	156	1404	76	1140	36	900	6	192	6	240
285	1425	154	1386	74	1110	34	850				
280	1400	152	1368	72	1080	32	800				
275	1375	150	1350	70	1050	30	750				
270	1350	148	1332	68	1020	28	700				
265	1325	146	1314	66	990	26	650				
260	1300	144	1296	64	960	24	600				
255	1275	142	1278	62	930	22	550				
250	1250	140	1260	60	900	20	500				
245	1225	138	1242	58	870	18	450				
240	1200	136	1224	56	840	16	400				
235	1175	134	1206	54	810	14	350				
230	1150	132	1188	52	780	12	300				
225	1125	130	1170	50	750	10	250				
220	1100	128	1152	48	720	8	200				
215	1075	126	1134	46	690	6	150				
210	1050	124	1116	44	660						
205	1025	122	1098	42	630						
200	1000	120	1080	40	600						
195	975	118	1062	38	570						
190	950	116	1044	36	540						
185	925	114	1026	34	510						
180	900	112	1008	32	480						
175	875	110	990	30	450						
170	850	108	972	28	420						
165	825	106	954	26	390						
160	800	104	936	24	360						
155	775	102	918	22	330						
150	750	100	900	20	300						
145	725			18	270						
140	700			16	240						
135	675			14	210						
130	650			12	180						
125	625			10	150						
120	600										
115	575										
110	550										
105	525										
100	500										

Gearing Reference Guide

TORQUE-ARM II

TORQUE-ARM

MAXUM

TIGEAR-2



RENEWAL PARTS

TORQUE-ARM II Shaft Mount Speed Reducers Renewal Parts For TA II Reducers

TORQUE-ARM II Bearing Kits ⁽¹⁾

Size	Ratio	Kit P/N	Size	Ratio	Kit P/N
TA0107L	5:1	900128	TA6307H	5:1	906128
TA0107L	9:1 - 40:1	900129	TA6307H	9:1 - 15:1	906129
TA1107H	5:1	901128	TA6307H	25:1 - 40:1	906130
TA1107H	9:1 - 15:1	901129	TA7315H	5:1	907128
TA1107H	25:1 - 40:1	901130	TA7315H	9:1 - 25:1	907129
TA2115H	5:1	902128	TA7315H	40:1	907130
TA2115H	9:1 - 25:1	902129	TA8407H	15:1 - 25:1	908129
TA2115H	40:1	902130	TA8407H	40:1	908130
TA3203H	5:1	903128	TA9415H	15:1 - 25:1	909129
TA3203H	9:1 - 25:1	903129	TA9415H	40:1	909130
TA3203H	40:1	903130	TA10507H	15:1 - 25:1	910129
TA4207H	5:1	904128	TA10507H	40:1	910130
TA4207H	9:1 - 25:1	904129	TA12608H	15:1 - 25:1	912129
TA4207H	40:1	904130	TA12608H	40:1	912130
TA5215H	5:1	905128			
TA5215H	9:1 - 15:1	905129			
TA5215H	25:1	905130			
TA5215H	40:1	905131			

(1) Kit contains complete set of bearings for reducer size and ratio indicated.

TORQUE-ARM II Level 1 Rebuild Kits ⁽³⁾

Size	Ratio	Kit P/N	Size	Ratio	Kit P/N
TA0107L	5:1	900135	TA6307H	5:1	906135
TA0107L	9:1 - 40:1	900136	TA6307H	9:1 - 15:1	906136
TA1107H	5:1	901135	TA6307H	25:1 - 40:1	906137
TA1107H	9:1 - 15:1	901136	TA7315H	5:1	907135
TA1107H	25:1 - 40:1	901137	TA7315H	9:1 - 25:1	907136
TA2115H	5:1	902135	TA7315H	40:1	907137
TA2115H	9:1 - 25:1	902136	TA8407H	15:1 - 25:1	908136
TA2115H	40:1	902137	TA8407H	40:1	908137
TA3203H	5:1	903135	TA9415H	15:1 - 25:1	909136
TA3203H	9:1 - 25:1	903136	TA9415H	40:1	909137
TA3203H	40:1	903137	TA10507H	15:1 - 25:1	910136
TA4207H	5:1	904135	TA10507H	40:1	910137
TA4207H	9:1 - 25:1	904136	TA12608H	15:1 - 25:1	912136
TA4207H	40:1	904137	TA12608H	40:1	912137
TA5215H	5:1	905135			
TA5215H	9:1 - 15:1	905136			
TA5215H	25:1	905137			
TA5215H	40:1	905138			

(3) Level 1 Rebuild Kit includes input & output seals, all bearings, shims and sealant for reducer size and ratio indicated. See Instruction Manual # MN1601 for gearing part numbers.

TORQUE-ARM II Seal Kits ⁽²⁾

Size	Ratio	Kit P/N
TA0107L	All	900126
TA1107H	All	901126
TA2115H	5:1 - 25:1	902126
TA2115H	40:1	902127
TA3203H	5:1 - 25:1	903126
TA3203H	40:1	903127
TA4207H	All	904126
TA5215H	All	905126
TA6307H	All	906126
TA7315H	All	907126
TA8407H	All	908126
TA9415H	All	909126
TA10507	All	910126
TA12608	All	912126

(2) Kit includes input & output seals, backstop cover gasket and RTV sealant for reducer size and ratio indicated

TORQUE-ARM II Super Shim Kits ⁽⁴⁾

Size	Kit P/N
TA0107L	900180
TA1107H	901180
TA2115H	902180
TA3203H	903180
TA4207H	904180
TA5215H	905180
TA6307H	906180
TA7315H	907180
TA8407H	908180
TA9415H	909180
TA10507H	910180
TA12608H	912180

(4) Kit contains complete set of shims for reducer size. TA II shims are not color coded.



RENEWAL PARTS

TORQUE-ARM II Shaft Mount Speed Reducers Renewal Parts For TA II Reducers

TORQUE-ARM II Lube Kits ⁽⁵⁾

Size	Kit P/N
TA0107L	LUBEKITTA0107
TA1107H	LUBEKITTA1107
TA2115H	LUBEKITTA2115
TA3203H	LUBEKITTA3203
TA4207H	LUBEKITTA4207
TA5215H	LUBEKITTA5215
TA6307H	LUBEKITTA6307
TA7315H	LUBEKITTA7315
TA8407H	LUBEKITTA8407
TA9415H	LUBEKITTA9415
TA10507H	LUBEKITTA10507
TA12608H	LUBEKITTA12608

(5) Kit contains factory recommended mineral oil ISO220 in volumes sufficient for all recommended mounting positions.

TORQUE-ARM II Level 2 Rebuild Kits ⁽⁶⁾

Size	Ratio	Kit P/N	Size	Ratio	Kit P/N	
TA0107L	5:1	9001355	TA6307H	5:1	9061355	
	9:1	9001369		9:1	9061369	
	15:1	90013615		15:1	90613615	
	25:1	90013625		25:1	90613725	
	40:1	90013640		40:1	90613740	
TA1107H	5:1	9011355	TA7315H	5:1	9071355	
	9:1	9011369		9:1	9071369	
	15:1	90113615		15:1	90713615	
	25:1	90113725		25:1	90713625	
	40:1	90113740		40:1	90713740	
TA2115H	5:1	9021355	TA8407H	15:1	90813615	
	9:1	9021369		25:1	90813625	
	15:1	90213615		40:1	90814740	
	TA3203H	25:1	90213625	TA9415H	15:1	90913615
		40:1	90213740		25:1	90913625
TA4207H	5:1	9031355	TA10507H	40:1	90913740	
	9:1	9031369		15:1	91013615	
	15:1	90313615		25:1	91013625	
	25:1	90313625		40:1	91013740	
	40:1	90313740		TA12608H	15:1	91213615
TA5215H	5:1	9041355	25:1		91213625	
	9:1	9041369	40:1		91213740	
TA6307H	15:1	90413615	(6) Level 2 Rebuild Kit includes all items in Level 1 Kit plus high speed input pinion and mating 1st stage gear. Provides maximum protection against downtime. Part number is Level 1 Kit part number + ratio.			
	25:1	90413625				
	40:1	90413740				
	5:1	9051355				
	9:1	9051369				
TA7315H	15:1	90513615				
	25:1	90513725				
	40:1	90513840				
	5:1	9051355				
	9:1	9051369				
TA8407H	15:1	90513615				
	25:1	90513725				
	40:1	90513840				
	5:1	9051355				
	9:1	9051369				
TA9415H	15:1	90513615				
	25:1	90513725				
	40:1	90513840				
	5:1	9051355				
	9:1	9051369				
TA10507H	15:1	90513615				
	25:1	90513725				
	40:1	90513840				
	5:1	9051355				
	9:1	9051369				
TA12608H	15:1	90513615				
	25:1	90513725				
	40:1	90513840				
	5:1	9051355				
	9:1	9051369				

(6) Level 2 Rebuild Kit includes all items in Level 1 Kit plus high speed input pinion and mating 1st stage gear. Provides maximum protection against downtime. Part number is Level 1 Kit part number + ratio.



ENGINEERING/TECHNICAL

TORQUE-ARM II Shaft Mount Speed Reducers

Table 1: NEMA Motor Information (1750 RPM)

Horsepower	NEMA Motor Frame	Shaft Diameter
1	143T	7/8
1-1/2	145T	7/8
2	145T	7/8
3	182T	1-1/8
5	184T	1-1/8
7-1/2	213T	1-3/8
10	215T	1-3/8
15	254T	1-5/8
20	256T	1-5/8
25	284T	1-7/8
30	286T	1-7/8
40	324T	2-1/8
50	326T	2-1/8
60	364T	2-3/8
75	365T	2-3/8
100	+405T	2-7/8
125	+444T	3-3/8
150	+445T	3-3/8
200	+447T	3-3/8

+ Energy Efficient (TEFC-XE) Frame

Table 2: TORQUE-ARM II Reducer Information

TA II Reducer	Ratio	Input Shaft Diameter	Minimum Sheave Diameter
TA0107L	All	1"	See Class I, II and III Selection Tables for minimum reducer sheave recommendations
TA1107H	All	1"	
TA2115H	5:1 - 25:1	1-1/8"	
	33:1	1"	
TA3203H	5:1 - 25:1	1-3/8"	
	32:1	1-1/8"	
TA4207H	All	1-7/16"	
TA5215H	All	1-5/8"	
TA6307H	All	2-3/16"	
TA7315H	All	2-7/16"	
TA8407H	All	2-7/16"	
TA9415H	All	2-7/16"	
TA10507H	All	2-11/16"	
TA12608H	All	2-11/16"	

Table 3: TORQUE-ARM II Backstop Lift-off Speed ⁽¹⁾

TA II Reducer	Minimum Input Shaft RPM
TA0107L	875
TA1107H	875
TA2115H	875
TA3203H	825
TA4207H	780
TA5215H	720
TA6307H	610
TA7315H	490
TA8407H	610
TA9415H	490
TA10507H	480
TA12608H	450

(1) For best results, select reducer ratios which exceed input shaft speeds required for backstop sprag lift-off.



ENGINEERING/TECHNICAL

TORQUE-ARM II Shaft Mount Speed Reducers

Maximum Input Speed - RPM

Case Size	Nominal Ratio				
	05	09	15	25	32/40
TA0107L	2080	1800	1791	2007	1750
TA1107H	2000	1798	1789	2005	1750
TA2115H	2080	1821	1874	2005	1750
TA3203H	1965	1847	1808	1996	1750
TA4207H	2000	1846	1800	2010	1955
TA5215H	2042	1837	1791	2000	1945
TA6307H	1978	1843	1854	1989	1916
TA7315H	2075	1943	1790	1987	1983
TA8407H	N/A	N/A	1814	1997	1983
TA9415H	N/A	N/A	1812	2035	1970
TA10507H	N/A	N/A	1811	2015	1984
TA12608H	N/A	N/A	1775	2002	1909

Maximum Output Speed - RPM

Case Size	Nominal Ratio				
	05	09	15	25	32/40
TA0107L	400	200	120	80	57
TA1107H	400	200	120	80	57
TA2115H	400	200	120	80	53
TA3203H	400	200	120	80	54
TA4207H	400	200	120	80	50
TA5215H	400	200	120	80	50
TA6307H	400	200	120	80	50
TA7315H	400	200	120	80	50
TA8407H	N/A	N/A	120	80	50
TA9415H	N/A	N/A	120	80	50
TA10507H	N/A	N/A	120	80	50
TA12608H	N/A	N/A	120	80	50



ENGINEERING/TECHNICAL

TORQUE-ARM II Shaft Mount Speed Reducers

Thrust Capacity for Screw Conveyor Drives (Pounds)

Case Size	Output Speed (RPM)						
	Single Reduction Reducers (05:1)						
	100	150	200	250	300	350	400
TA0107L	2568	2288	2092	2000	1922	1855	1798
TA1107H	3106	2835	2626	2505	2396	2309	2232
TA2115H	5373	4771	4417	4186	4015	3885	3785
TA3203H	6000	5834	5387	5053	4783	4561	4386
TA4207H	6000	6000	6000	6000	6000	5776	5570
TA5215H	6000	6000	6000	6000	6000	6000	6000
TA6307H	6000	5803	5374	5202	4977	4807	4737
TA7315H	†	†	†	†	†	†	†

Thrust Capacity for Screw Conveyor Drives (Pounds)

Case Size	Output Speed (RPM)								
	Double Reduction Reducers (09:1 thru 40:1)								
	10	25	50	75	100	125	150	175	200
TA0107L	5300	4028	3141	2730	2465	2281	2165	2071	1989
TA1107H	6000	4833	3705	3196	2865	2639	2568	2438	2315
TA2115H	6000	6000	6000	5323	4850	4550	4295	4086	3924
TA3203H	6000	6000	6000	6000	5761	5328	5020	4813	4636
TA4207H	6000	6000	6000	6000	6000	6000	6000	6000	6000
TA5215H	6000	6000	6000	6000	6000	6000	6000	6000	6000
TA6307H	6000	6000	6000	5885	5185	4706	4435	4303	4269
TA7315H	†	†	†	†	†	†	†	†	†

† Consult DODGE



ENGINEERING/TECHNICAL

TORQUE-ARM II Shaft Mount Speed Reducers

Lubrication Of TORQUE-ARM II Reducers

CAUTION: Unit is shipped without oil. Add proper amount of rust and oxidation inhibited (R & O) gear oil before operating. Follow instructions on reducer warning tags and in the instruction manual. Failure to observe these precautions could result in damage to, or destruction of, the equipment.

WARNING: To ensure that drive is not unexpectedly started, turn off and lock out or tag power source before proceeding. Remove all external loads from drive before removing or servicing drive or accessories. Failure to observe these precautions could result in bodily injury.

Lubrication is extremely important for satisfactory operation. The proper oil level as shown in Table 3 on page G1-134, showing oil level plug location, must be maintained at all times. Approximate oil quantities are shown in Table 4 on page G1-135. Frequent inspections with the unit not running and allowing sufficient time for the oil to cool and the entrapped air to settle out of the oil should be made by removing the level plug to see that the level is being maintained. If low, add the proper type and viscosity of lubricant through one of the upper openings until it comes out of the oil level hole. Replace the oil level plug securely. Refer to Tables 1 and 2 for viscosity recommendations.

After an initial operation of about two weeks, the oil should be changed. If desired, this oil may be filtered and reused. Very often, small metal particles will show up in the oil due to the wearing process. After the initial break in period, the lubricant should be drained, magnetic drain plug cleaned, gear case flushed and refilled every 2500 hours of operation under average industrial operating conditions.

CAUTION: Too much oil will cause overheating and too little will result in gear failure. Check oil level regularly.

More frequent oil changes are recommended when operating continuously or at high temperatures or under conditions of extreme dirt or dust. Use only recommended grades of lubricant listed on next page, or equivalent. Special attention should be given to checking of lubricants when any of the following conditions exist:

- High operating temperatures resulting from heavy intermittent loads causes the temperature of the gear case to rise rapidly and then cool

- Unusual ambient conditions, which may tend to cause condensation on the inside of the gearcase thereby contaminating the oil

- Operating temperatures that would cause oil to approach 200°F continually

- Subjection of reducer to unusual vapors or moist atmosphere

- Subjection of reducer to extremely dusty or dirty environment

Under these extreme operating conditions, the oil should be changed every 1 to 3 months depending on severity of conditions.

Operating Temperatures

Heating is a natural characteristic of enclosed gearing, and a maximum gear case temperature approaching 200°F is not uncommon for some units operating in normal ambient temperatures (80°F). When operating at rated capacity, no damage will result from this temperature as this was taken into consideration in the design of the gear case and in the selection of the lubricants.



ENGINEERING/TECHNICAL

TORQUE-ARM II Shaft Mount Speed Reducers Lubrication Of TORQUE-ARM II Reducers (Cont'd)

Table 1 – Oil Recommendations

ISO Grades For Ambient Temperatures of 50°F to 125°F

Output RPM	Torque-Arm II Reducer Size											
	TA0107L	TA1107H	TA2115H	TA3203H	TA4207H	TA5215H	TA6307H	TA7315H	TA8407H	TA9415H	TA10507H	TA12608H
301 – 400	320	320	320	220	220	220	220	220	220	220	220	220
201 – 300	320	320	320	220	220	220	220	220	220	220	220	220
151 – 200	320	320	320	220	220	220	220	220	220	220	220	220
126 – 150	320	320	320	220	220	220	220	220	220	220	220	220
101 – 125	320	320	320	320	220	220	220	220	220	220	220	220
81 – 100	320	320	320	320	320	220	220	220	220	220	220	220
41 – 80	320	320	320	320	320	220	220	220	220	220	220	220
11 – 40	320	320	320	320	320	320	320	320	320	320	220	220
1 – 10	320	320	320	320	320	320	320	320	320	320	320	320

Table 2 – Oil Recommendations

ISO Grades For Ambient Temperatures of 15°F to 60°F

Output RPM	Torque-Arm II Reducer Size											
	TA0107L	TA1107H	TA2115H	TA3203H	TA4207H	TA5215H	TA6307H	TA7315H	TA8407H	TA9415H	TA10507H	TA12608H
301 – 400	220	220	220	150	150	150	150	150	150	150	150	150
201 – 300	220	220	220	150	150	150	150	150	150	150	150	150
151 – 200	220	220	220	150	150	150	150	150	150	150	150	150
126 – 150	220	220	220	150	150	150	150	150	150	150	150	150
101 – 125	220	220	220	220	150	150	150	150	150	150	150	150
81 – 100	220	220	220	220	220	150	150	150	150	150	150	150
41 – 80	220	220	220	220	220	150	150	150	150	150	150	150
11 – 40	220	220	220	220	220	220	220	220	220	220	150	150
1 – 10	220	220	220	220	220	220	220	220	220	220	220	220

NOTES:

- Assumes auxiliary cooling where recommended in the catalog.
- Pour point of lubricant selected should be at least 10°F lower than expected minimum ambient starting temperature.
- Extreme pressure (EP) lubricates are not necessary for average operating conditions. When properly selected for specific applications, TORQUE-ARM II backstops are suitable for use with EP lubricants.
- Special lubricants may be required for food and drug industry applications where contact with the product being manufactured may occur. Consult a lubrication manufacturer's representative for his recommendations.
- For reducers operating in ambient temperatures between -22°F (-30°C) and 20°F (-6.6°C) use a synthetic hydrocarbon lubricant, 100 ISO grade or AGMA 3 grade (for example, Mobil SHC627). Above 125°F (51°C), consult DODGE Gear Application Engineering (864) 284-5700 for lubrication recommendation.
- Mobil SHC630 Series oil is recommended for high ambient temperatures.



ENGINEERING/TECHNICAL

TORQUE-ARM II Shaft Mount Speed Reducers Lubrication Of TORQUE-ARM II Reducers (Cont'd)

Lubricant Grade Equivalents*

ISO	AGMA
150	4
220	5
320	6

* See page G1-135 for complete lubricant interchange chart

INSTALLATION

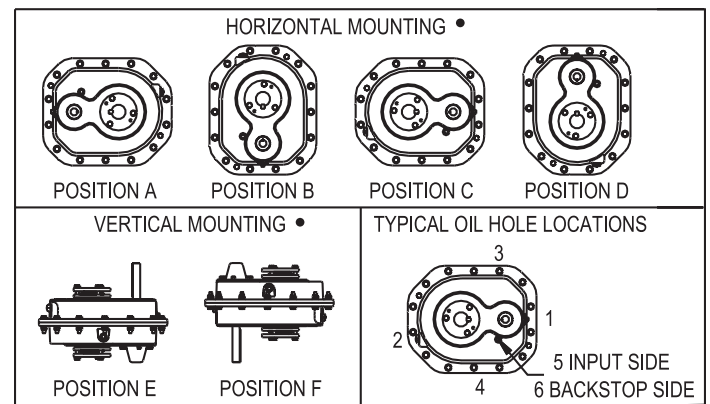
Horizontal Installations - Install the magnetic drain plug in the hole closest to the bottom of the reducer. Throw away the tape that covers the filter/ventilation plug in shipment and install plug in topmost hole. Of the 2 remaining plugs on the sides of the reducer, the lowest one is the minimum oil level plug.

Vertical Installations - Install the filter/ventilation plug in the hole provided in the upper face of the reducer housing as installed. If space is restricted on the upper face, install the vent in the highest hole on the side of the reducer per Figure 1. Install a plug in the hole in the bottom face of the reducer. Do not use this hole for the magnetic drain plug. Of the remaining holes on the sides of the reducer, use the plug in the upper housing half for the minimum oil level plug.

Mounting Position - The running position of the reducer in the horizontal application is not limited to the four positions shown in Figure 1. However, if the running position is over 20° off of position "B" or "D" or 5° off of position "A" or "C", either way from the sketches, the oil level plug cannot be used to safely check the oil level, unless during the checking, the torque arm is disconnected and the reducer is swung to within 20° for position "A" and "C" or 5° for position "B" and "D" of the positions shown in Figure 1. Because of the many possible positions, of the reducer, it may be necessary or desirable to make special adaptations using the lubrication filling holes furnished along

with other standard pipe fittings, stand pipes and oil level gauges as required.

Figure 1



• Below 15 RPM output speed, oil level must be adjusted to reach the highest oil level plug. If reducer position is to vary from those shown in Figure 1, either more or less oil may be required. Consult DODGE.



ENGINEERING/TECHNICAL

TORQUE-ARM II Shaft Mount Speed Reducers Lubrication Of TORQUE-ARM II Reducers (Cont'd)

Table 3 - Vent and Plug Locations (See Figure 1, page G1-133)

Mounting Position	Output Speed Above 15 RPM						Output Speed 15 RPM and Below ●					
	Vent and Plug Locations						Vent and Plug Locations					
	1	2	3	4	5	6	1	2	3	4	5	6
Position A	Level	Plug	Drain	Vent	Plug	Plug	Plug	Level	Drain	Vent	Plug	Plug
Position B	Drain	Vent	Level	Plug	Plug	Plug	Drain	Vent	Plug	Level	Plug	Plug
Position C	Plug	Level	Vent	Drain	Plug	Plug	Level	Plug	Vent	Drain	Plug	Plug
Position D	Vent	Drain	Level	Plug	Plug	Plug	Vent	Drain	Level	Plug	Plug	Plug
Position E	Level	* Plug	Plug	Drain	Vent	Plug	Level	* Plug	Plug	Drain	Vent	Plug
Position F	Plug	Drain	Level	* Plug	Plug	Vent	Plug	Drain	Level	* Plug	Plug	Vent

* Where space constraints prevent installing the breather in vent locations 5 or 6, install vent in this location and order a vertical breather kit

- Below 15 RPM output speed, oil level must be adjusted to reach the highest oil level plug. If reducer position is to vary from those shown in Figure 1, either more or less oil may be required. Consult DODGE.

RECOMMENDED LUBRICANTS FOR TORQUE-ARM II REDUCERS +

Standard Oils			EP Oils		
EXXON					
150	Teresstic	150	Spartan EP	150	
220		220		220	
320		320		320	
CHEVRON					
150	Machine	150	Gear Compound	150	
220		220	EP	220	
320		320		320	
UNICAL					
150	Turbine Oil	150	Extra Duty HL	141	
220		220	Gear Lube	207	
320		320		300	
MOBIL SYNTHETIC					
150	SHC	629	SHC	629	
220	SHC	630	SHC	630	
320	SHC	632	SHC	632	
MOBIL					
150	Mobil DTE	BB	Mobil Gear	629	
220	Extra Heavy	AA		630	
320				632	
TEXACO					
150	Regal Oil R&O	150	Meropa	150	
220		220		220	
320		320		320	
SHELL					
150	Morlina Oil	150	Omala	150	
220		220		220	
320		320		320	

+ Partial list. Consult DODGE or a lubricant manufacturer for further options



ENGINEERING/TECHNICAL

TORQUE-ARM II Shaft Mount Speed Reducers Lubrication Of TORQUE-ARM II Reducers (Cont'd)

Table 4 - Oil Volumes

Case Size	Ratios	Oil Volume in Quarts † ■ ▲ ●						Oil Volume in Liters † ■ ▲ ●					
		Horizontal				Vertical		Horizontal				Vertical	
		A	B	C	D	E (Up)	F (Down)	A	B	C	D	E (Up)	F (Down)
TA0107L	Single	0.7	0.5	0.7	1.4	1.3	1.5	0.6	0.5	0.6	1.3	1.2	1.4
	Doubles	0.7	0.5	0.6	1.3	1.2	1.4	0.6	0.5	0.6	1.3	1.2	1.3
TA1107H	Single	1.3	0.7	0.7	1.7	1.5	1.9	1.3	0.7	0.6	1.6	1.4	1.8
	Doubles	1.3	0.7	0.6	1.7	1.5	1.9	1.3	0.7	0.6	1.6	1.4	1.8
TA2115H	Single	2.1	1.2	1.1	2.7	2.3	3.1	2.0	1.2	1.0	2.5	2.2	2.9
	Doubles	2.1	1.1	1.0	2.6	2.4	3.0	2.0	1.1	1.0	2.5	2.3	2.8
TA3203H	Single	2.8	1.6	1.8	4.1	3.3	4.4	2.7	1.6	1.7	3.9	3.1	4.2
	Doubles	2.8	1.5	1.7	4.0	3.4	4.2	2.7	1.4	1.6	3.8	3.3	4.0
TA4207H	Single	4.4	2.6	2.9	7.4	6.3	7.8	4.2	2.5	2.8	7.0	6.0	7.3
	Doubles	4.4	2.5	2.8	7.3	6.4	7.5	4.2	2.4	2.6	6.9	6.0	7.1
TA5215H	Single	7.4	4.9	5.8	13.2	11.6	13.1	7.0	4.7	5.5	12.5	11.0	12.4
	Doubles	7.4	4.7	5.5	12.9	11.4	12.6	7.0	4.4	5.2	12.2	10.8	11.9
TA6307H	Single	8.8	5.8	6.6	16.1	13.2	16.1	8.4	5.5	6.2	15.3	12.5	15.3
	Doubles	8.8	5.5	6.2	15.8	13.9	15.3	8.4	5.2	5.9	15.0	13.1	14.5
TA7315H	Single	8.4	11.8	13.9	22.5	22.1	25.1	8.0	11.1	13.2	21.3	20.9	23.7
	Doubles	8.4	10.8	13.2	22.0	22.4	23.1	8.0	10.3	12.5	20.9	21.2	21.8
TA8407H	Doubles	7.7	11.7	13.7	25.1	24.0	25.8	7.3	11.1	12.9	23.8	22.7	24.4
TA9415H	Doubles	17.0	16.8	18.1	33.2	33.2	38.6	16.1	15.9	17.1	31.4	31.4	36.5
TA10507H	Doubles	38.0	27.6	25.8	53.5	53.8	56.1	36.0	26.1	24.4	50.6	50.9	53.0
TA12608H	Doubles	53.0	41.5	37.1	70.7	72.2	80.4	50.2	39.3	35.1	66.9	68.3	76.1

■ Oil quantity is approximate. Service with lubricant until oil runs out of oil level hole

† Refer to Figure 1 for mounting positions

▲ US measure: 1 quart = 32 fluid ounces = .94646 liters

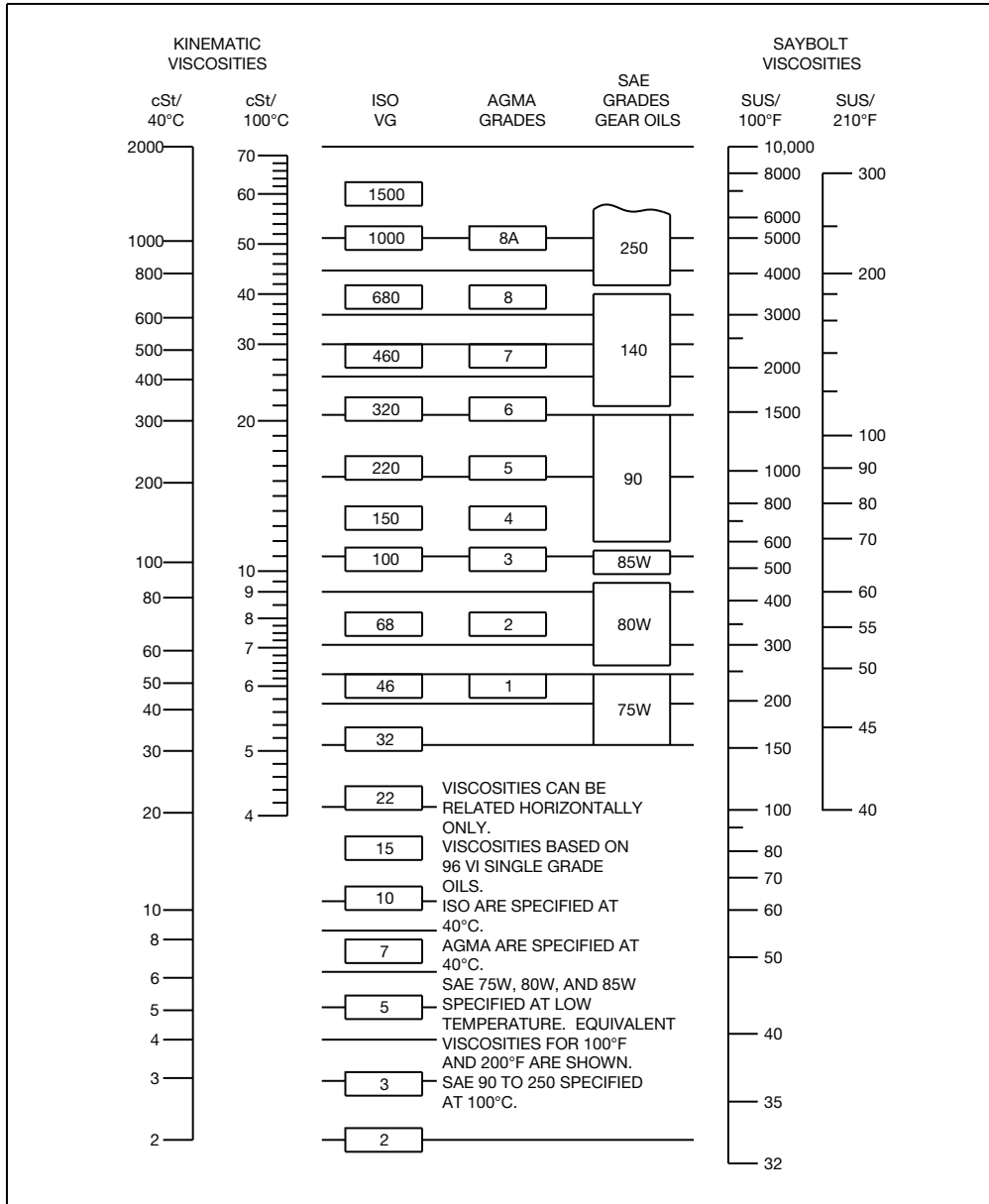
● Below 15 RPM output speed, oil level must be adjusted to reach the highest oil level plug. If reducer position is to vary from those shown in Figure 1, either more or less oil may be required. Consult DODGE.



TORQUE-ARM II Shaft Mount Speed Reducers

Viscosity Classification Equivalents

OIL VISCOSITY EQUIVALENCY CHART



ISO VISCOSITY CLASSIFICATION SYSTEM

All industrial oils are graded according to the ISO Viscosity Classification System, approved by the International Standards Organizations (ISO). Each ISO viscosity grade number corresponds to the mid-point of viscosity range expressed in centistokes (cSt) at 40C. For example, a lubricant with an ISO grade of 32 has a viscosity within the range of 28.80-35.2, the midpoint of which is 32.

Rule-of-Thumb: The comparable ISO grade of a competitive product whose viscosity in SUS at 1005F is known can be determined by using the following conversion formula:

$$\text{SUS @ 100°F} \div 5 = \text{cSt @ 40°C}$$

ENGINEERING/TECHNICAL



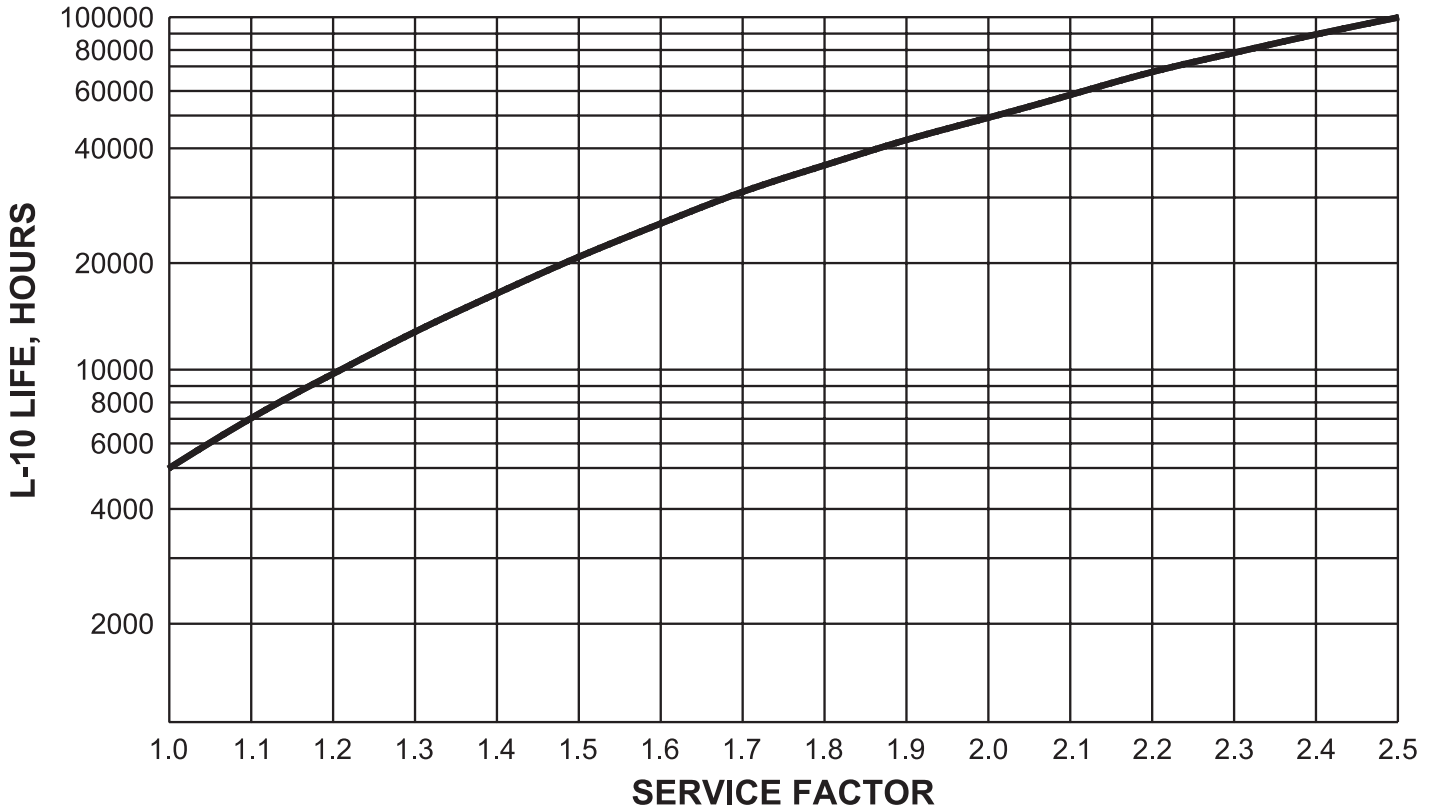
TORQUE-ARM II Shaft Mount Speed Reducers

Bearing L-10 Life As A Function Of Service Factor - AGMA Standard 6009-A00

DODGE TORQUE-ARM II Reducers are designed to provide a minimum L-10 bearing life of 5,000 hours for the most severe operating conditions. Since the probability of all maximum load conditions occurring in an application is remote, the actual L-10 life of an application is much greater.

Remember, the L-50 average life would be approximately 25,000 hours.

The graph illustrates how bearing life varies with different service factors. For example, a DODGE TORQUE-ARM II TA3203H Reducer with a 2.0 service factor has over 50,000 hours L-10 life.



1.0 Service Factor = 5,000 hours L-10 bearing life, 25,000 L-50 hours

1.4 Service Factor = 15,300 hours L-10 bearing life, 76,500 L-50 hours

2.0 Service Factor = 50,300 hours L-10 bearing life, 251,500 L-50 hours

NOTE: Average bearing life (L-50) is typically 5 times L-10 bearing life



CONTENTS

TORQUE-ARM Shaft Mount Speed Reducers

Features / Benefits	G2-2
Specifications	G2-9
Nomenclature	G2-10
Easy Selection	
TORQUE-ARM - TXT	G2-18
Screw Conveyor - SCXT.....	G2-84
HYDROIL - HXT	G2-130
Selection	
TORQUE-ARM Selection - TXT for Electric Motors	G2-12
SCXT - Screw Conveyor Selection.....	G2-81
TORQUE-ARM Selection - HXT for Hydraulic Motors	G2-129
Selection / Dimensions	
TORQUE-ARM Shaft Mount Reducers - TXT.....	G2-30
Screw Conveyor Reducers - SCXT	G2-90
HYDROIL Shaft Mount Reducers - HXT.....	G2-144
Modification / Accessories	
TXT	G2-71
SCXT	G2-120
Related Products	
HXT Reducers For Char-Lynn Motors	G2-154
Harsh Duty Accessories.....	G2-156
TXT-ABHS Reducers	G2-160
BIO-DISC Reducers	G2-162
V-Drives for TORQUE-ARM Reducers	G2-164
Renewal Parts.....	G2-168
Engineering/Technical.....	G2-171
Part Number Index	INDEX-1

FEATURES/BENEFITS

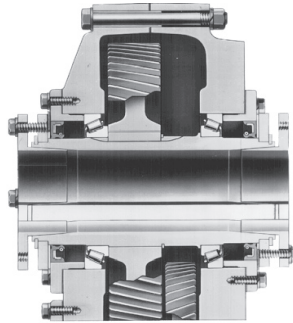


TORQUE-ARM Shaft Mount Speed Reducers

DODGE TORQUE-ARM TWIN TAPERED BUSHINGS MAKE DODGE TORQUE-ARM THE LEADER

DODGE Twin Tapered Bushings have provided customers almost forty years of reliable and proven service. This exclusive feature revolutionized the shaft mount reducer concept and insured that TORQUE-ARM Speed Reducers would not seize to the customer's driven shaft. Another first from DODGE, the supplier of industry preferred quality speed reducers.

TORQUE-ARM Speed Reducers provide positive, easy-on, easy-off mounting for all reducer sizes from fractional to 700



HP. A tapered bore in both sides of the reducer's output hub snugs up against a matching taper on the outer surface of the bushing . . . "Twin Tapered".

Bushing mounting screws pass through the bushing flange into a mounting collar on the hub. As the screws are tightened, the bushing moves inward, gripping the driven machine's input shaft tightly and evenly around every point on its circumference.

You can now realize significant cost savings with the TXT TORQUE-ARM Speed Reducer.

And here is how:

- TXT reducers now have increased horsepower ratings which may allow you to use a smaller TORQUE-ARM reducer, while receiving the same torque at the output shaft.
- The reducer mounts directly on the driven shaft, eliminating the need for a coupling or chain drive, sliding motor base, and support structure. There's no alignment problem.
- **TXT reducers incorporate standard DODGE features**
 - Ratios up to 210:1.
 - Capacities fractional to 700 HP
 - Output speeds through 400 rpm.
 - Trouble-free maintenance.
 - Up-front installation savings.
 - Quality proven design.
 - Easier, more accurate drive alignment.

- **Rugged, cast-iron housing.** Cast, corrosion-resistant gray and ductile iron housings are precision machined for positive gear alignment. Rugged housing construction provides strong, rigid support for bearings and gearing. Additionally, internal rib design helps channel oil to all bearings for superior lubrication.
- **Efficient helical gear tooth design** produces an efficiency rating of 98.5% per gear set. Gear teeth feature a softer core to resist shock loads, combined with a case carburized surface for maximum wear resistance. Precision crown shaving produces an elliptoid tooth shape, so that teeth mesh at the stronger center area eliminating end loading. The result: uniform load distribution with no tooth-end wear.
- **Lip seals.** Metal cased lip seals keep lubricating oil in, lock dirt and contaminants out. The cavity between the inner and outer lips is filled with grease at assembly to pre lubricate the seal. A garter spring exerts a constant, gentle pressure at every point around the circumference of the shaft to insure a positive seal. All seals ride on precision ground surfaces for maximum life.
- **Dependable performance.** All DODGE TORQUE-ARM speed reducers are 100% factory noise and leak tested to assure long life and trouble-free service.
- **DODGE has a TORQUE-ARM reducer for every application.**

And all this adds up to more savings for you! The TXT reducer-the best package available to meet tough industrial requirements.

It's easy to see why DODGE TORQUE-ARM is America's #1 Shaft Mounted Speed Reducer.

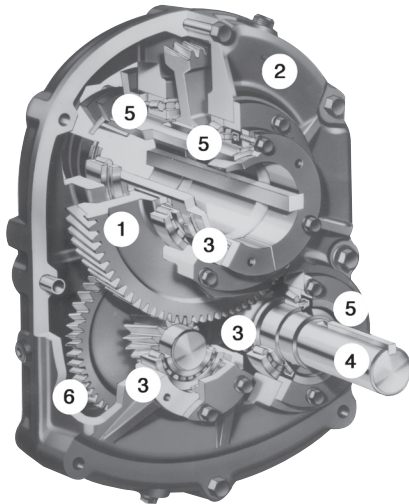


FEATURES/BENEFITS

TORQUE-ARM Shaft Mount Speed Reducers

DODGE TORQUE-ARM

THE COMPLETE SHAFT MOUNT SPEED REDUCER SYSTEM



DODGE TORQUE-ARM IS AMERICA'S LEADING SHAFT-MOUNT REDUCER BECAUSE:

- Experience-over 2,000,000 sold.
- Delivery-nearly 5,000 reducers and 20,000 accessories in stock.
- Quality-warranties of less than 1/2% of sales.
- Customer Preferred-over 60 years of proven experience.
- Twin Tapered Bushings-reliable installation and removal.
- Performance Capability-applications through 700 HP.
- Product Configurations-TORQUE-ARM, Screw Conveyor and HYDROIL.
- Accessory Package-motor mount, backstop, bushings and auxiliary seals.

PRECISION HIGH QUALITY GEARING

- Computer Designed Helical Gears
- 98.5% Efficiency Per Gear Stage
- Case Carburized for Long Life
- Strong Alloy Materials for High Load Capacity
- Crown Shaved Gear Tooth Profile for Even Load Distribution
- Smooth Quiet Operation with Several Teeth in Mesh

1. • Designed in Conformance with AGMA

MAXIMUM CAPACITY HOUSING DESIGN

- Rugged Cast Iron and Ductile Iron
- Rigid Bearing Support and Positive Gear Alignment
- High Corrosion Resistance

2. • Excellent Vibration Dampening & Shock Resistance Features

RELIABLE ANTI-FRICTION BEARINGS

- Anti-friction Bearing Manufacturers Association Bearing Ratings
- Combination Ball & Tapered Roller Designs
- Straddle Mounted Gears for Optimum Support

3. • High Thrust Capacity Screw Conveyor Drive Bearings

STRONG SHAFTS FOR SUPPORT

- Precision-Machined & Hardened for Maximum Load
- High Alloy Steel for Maximum Torsional Loads
- Generous Size Shaft Keys for Shock Loading

4. • Press or Heat-Shrunk Design for Total Reliability

PROVEN SEALS KEEP OIL IN AND CONTAMINANTS OUT

- Lip Spring-Loaded Construction
- Metal Reinforcement for Strength
- Broad Operating Range of -20°F to 225°F
- 100% Factory-Tested Before Shipment
- Smooth Ground Shaft Surfaces for Maximum Life

5. • Seal Kits Available for All Reducer Sizes

EFFICIENT SPLASH LUBRICATION SYSTEM

- Generous Oil Sump for Lubricating All Gears & Bearings
- Standard Gear Petroleum Lubricants Are Suitable
- Multiple Oil Plugs for Total Mounting Flexibility
- New Breather With Baffle And Filter

6. • Magnetic Drain Plug for Protection

DODGE has been the leader as a shaft mounted reducer manufacturer for over 60 years. Since our start in 1949, we have developed thousands of satisfied customers. The TORQUE-ARM success is due to initial design and rating conservatism and a rigid quality control program. We have recently tabulated the quantity of reducers sold. This has resulted in the kind of quality and dependability that's proven by one of the lowest percentage replacement rates in the industry-and that's with more than 2.0 million units sold. Design features built into every shaft mounted TORQUE-ARM reducer are presented in this bulletin. Remember, a speed reducer is a complete system of balanced, high quality components.

Our success as a manufacturer begins with our design features and extends to our rigid quality program which provides the highest quality and dependability that customers have grown to expect from DODGE. The TORQUE-ARM shaft mounted reducer line, consisting of many sizes and types and with capacities from fractional through 700 HP, is available from our factory warehouse stock, branch warehouse stocks, and authorized distributors located throughout the United States. No other manufacturer in the world can claim this type of coverage and back-up assistance for their products and customer.



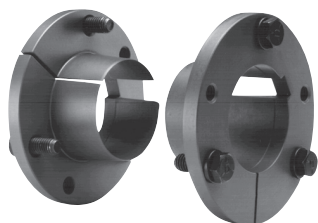
FEATURES/BENEFITS

TORQUE-ARM Shaft Mount Speed Reducers

DODGE TORQUE-ARM ACCESSORIES

TAPERED BUSHING ASSEMBLIES

Securely mounts Taper Bushed Reducer to driven shaft



Features

- Twin Bushings
- Full Length Shaft Key
- Flanged Bushing Mount
- Removal Screws
- Fully Split Bushings
- Ductile Iron
- No Setscrews
- Clamp Fit

Benefits

- Reliably supports both sides of reducer.
- Maximum torque & shock load capability.
- Fast & simple installation.
- Reliable demount of reducer.
- Eliminates fretting & seizing problems.
- Strong, shock resistant bushings.
- Eliminates driven shaft damage.
- Reduces wobble & fits undersized shafts.

STRAIGHT BORE BUSHING ASSEMBLIES



Accommodate less than maximum bore straight bore reducer applications

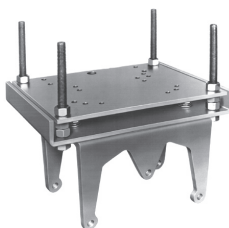
Features

- Steel or Ductile Iron
- Two Bushings
- Mount in Reducer Bore
- Original Design

Benefits

- High load capacity.
- Locking setscrews on both sides of reducer.
- Suitable for shorter driven shafts.
- Equivalent to most competitive reducers.

MOTOR MOUNTS



Provide a compact and economical method of mounting electric motors on TORQUE-ARM Reducers

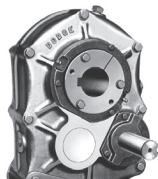
Features

- All-Steel Construction
- Compactness
- Adjustable Top Plate
- Pre-Drilled
- Economical
- Flexible Mounting
- Interchangeability

Benefits

- Rigid motor support.
- Eliminates separate motor bases.
- Fast & easy belt tensioning.
- Accommodates standard NEMA Motors.
- Low cost & eliminates alignment problems.
- Pre-drilled for belt guard attachment.
- Also fits screw conveyor drives.

AUXILIARY SEAL KITS



Provide extra sealing on Taper Bushed Reducers

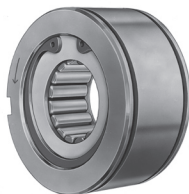
Features

- Labyrinth Seals
- Economical
- Simple Installation
- Lubrication Fittings
- Air Breather

Benefits

- Protection from dust, dirt, & moisture.
- Low cost reducer protection.
- Can be grease purged for protection.
- Filtered air breather included.

BACKSTOPS



Prevents reverse of shaft direction

Features

- Quick Installation
- Internally Mounted
- Oil Lubricated
- Long Life
- Keyed to Reducer
- Reversible

Benefits

- Fits input shaft of all TORQUE-ARM Reducers
- Sealed inside reducer for protection.
- No external relubrication required.
- Case hardened, shock resistant sprags.
- High load capacity.
- Suitable for either direction of rotation.

TORQUE-ARM BELT GUARDS



Enclose and Protect Belt Drive

Features

- Slotted Metal Panel Construction
- Yellow Paint
- Mounting Hardware
- Assembles to Reducer and Motor Mount Holes
- Flexibility

Benefits

- Light weight, ventilated
- Meets safety requirements
- Quick easy assembly
- No machining needed
- One size fits most common sheave diameters



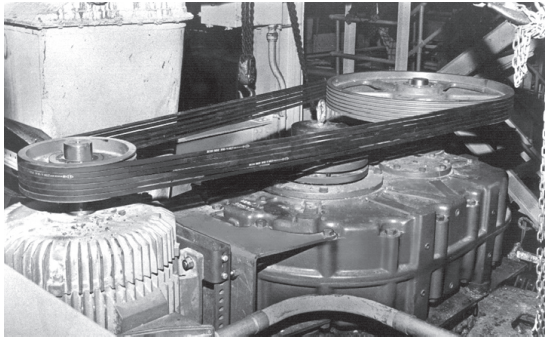
FEATURES/BENEFITS

TORQUE-ARM Shaft Mount Speed Reducers

APPLICATION FLEXIBILITY

Typical DODGE TORQUE-ARM Reducer Installations

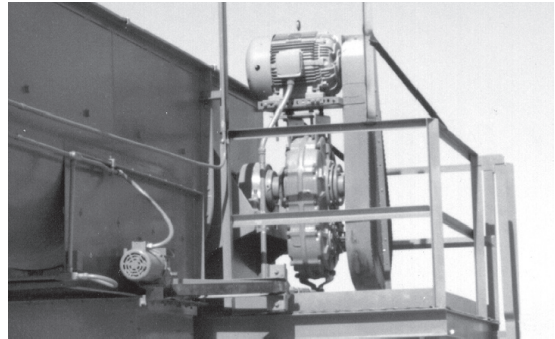
**VERTICAL SHAFT APPLICATION
DODGE TORQUE-ARM TWIN TAPERED BUSHED
VERTICAL SPEED REDUCER**



TDT1530T

Application: 200 HP, Class III Service on vertical shaft mixer application. This TDT 1530 Vertical Tapered Bushed Speed Reducer with shock absorbing DYNA-V Belt Drive package replaced an expensive, hard-to-replace, open gear drive system. TORQUE-ARM reducers can mount in many positions, such as vertical shaft applications simply by repositioning the breather and drain plug for lubrication purposes. Another standard feature of compact and highly efficient TORQUE-ARM reducers.

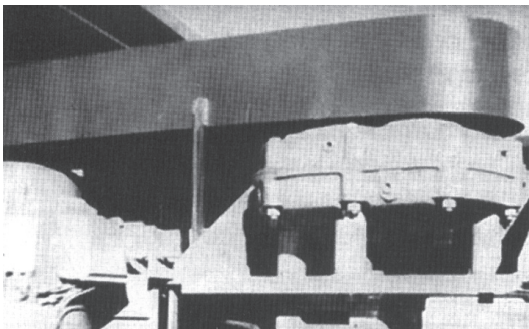
**HORIZONTAL SHAFT APPLICATION
STANDARD DODGE TORQUE-ARM TWIN
TAPERED BUSHED SPEED REDUCER**



TXT725T X 3-15/16"

Application: 40 HP drive, Class II service, on main conveyor drive. Standard Tapered Bushed TXT 725 x 3-15/ 16" Speed Reducer package offers long life and dependability. Other user benefits on this horizontal shaft application include compactness, off-the-shelf components, flexible motor mount arrangement, and reliable easy-on, easy-off Tapered Bushings. The lowest cost installed system for moving bulk materials.

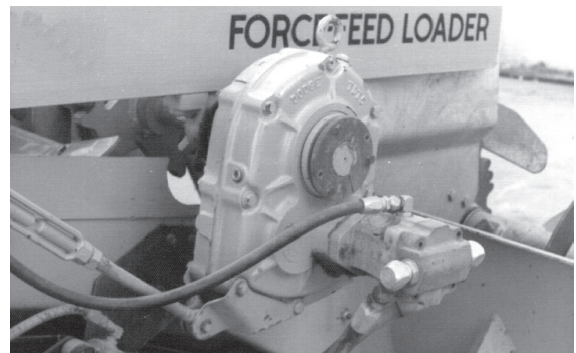
**FLANGE MOUNTED APPLICATION
DODGE TORQUE-ARM FLANGE MOUNTED VERTICAL
TWIN TAPER BUSHED
SPEED REDUCER**



TXT625T

Application: 15 HP, Class II Service, on Vertical Agitator Shaft in cement mixing system. This rugged reducer is rigidly mounted via the flange mounting pads which are standard on all TORQUE-ARM reducers. This no-charge, flange drilling option allows the reducer to support the agitator shaft and any thrust loads imposed. Flange mounted reducers do not require TORQUE-ARM rod assemblies.

**HYDRAULIC REDUCER APPLICATION
DODGE HYDROIL TORQUE-ARM TWIN
TAPER BUSHED SPEED REDUCER**



HXT525T WITH B30 MOTOR

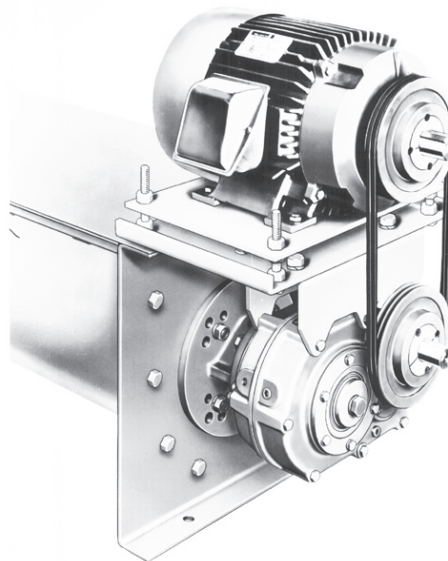
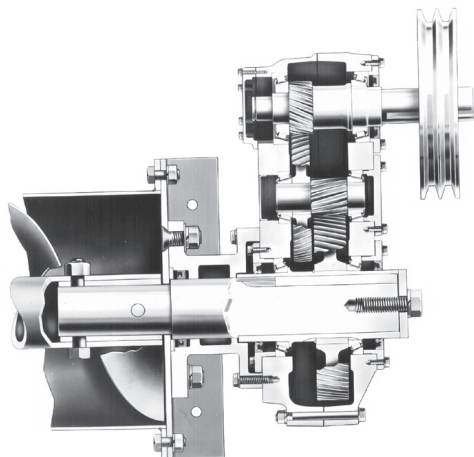
Application: Variable speed DODGE HYDROIL speed reducer with hydraulic power is another example of TORQUE-ARM reducer flexibility. This version powers a rugged, mobile brand of road construction equipment. Simply regulating the pressure and volume of fluid to the motor provides variable speed, variable torque, and even direction of rotation change.



FEATURES/BENEFITS

TORQUE-ARM Shaft Mount Speed Reducers

DODGE SCREW CONVEYOR DRIVES INDUSTRY WIDE APPLICATION



DODGE quality designed with the Screw Conveyor Industry in mind

The dependable DODGE Screw Conveyor Drives provide a rugged, competitively priced, application-engineered drive for standard CEMA screw conveyors. And the screw conveyor drive incorporates the proven reliability you have come to expect from the DODGE TORQUE-ARM reducer line.

Tapered roller bearings within the drive eliminate the need for an external thrust bearing. The bearings take thrust from the screw conveyor and make external thrust bearings unnecessary.

DODGE Screw Conveyor Drives are available in 5:1, 9:1, 15:1 and 25:1 ratios and the durable drives include:

- A compact design reducer with increased torque ratings.
- The CEMA standard drive shaft.
- A standard trough end mounting adapter with CEMA four-bolt mounting.
- Standard adapter for use with choice of lip, braided or waste pack seals.
- Optional adjustable packing adapter kit.

The DODGE complete, rugged, highly developed, screw conveyor drive mounts on the trough end of your screw conveyor. Tapered roller bearings in the reducer take the thrust from the screw conveyor. This eliminates the external thrust bearing

commonly required. The drives may be mounted in any position on horizontal, inclined, or vertical shafts by relocating breather and drain plugs. For complete drive between trough and motor, specify the screw conveyor drive and the following accessories: trough end plate and motor mount.

Where V-belt drives or electric motors cannot be used, DODGE offers a screw conveyor drive powered by a hydraulic motor.

Note: Guards have been removed for photographic purposes

Typical Industry Applications

Food	Agriculture
Grain	Soaps
Aggregates	Lumber
Chemicals	Stone
Minerals	Clay
Coal	Glass
	. . . and many more



FEATURES/BENEFITS

TORQUE-ARM Shaft Mount Speed Reducers

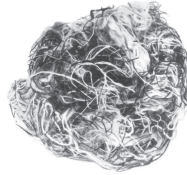
DODGE SCREW CONVEYOR DRIVES

Two alternative seals in CEMA Standard Adapter



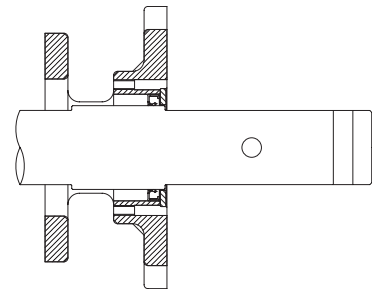
Lip Seals.

They're pre-lubricated for protection from dust and dirt during installation and are excellent for conveying semi-solids. Metallic parts are partially coated with synthetic rubber for added protection from corrosion.



Waste Packing.

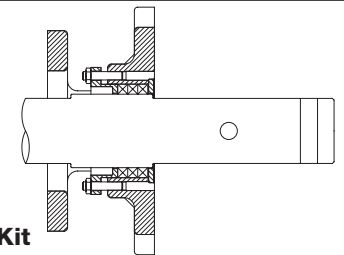
(Not supplied by DODGE)
This can be inserted in a special cavity in the adapter for added protection while operating under abrasive conditions.



Standard CEMA Adapter

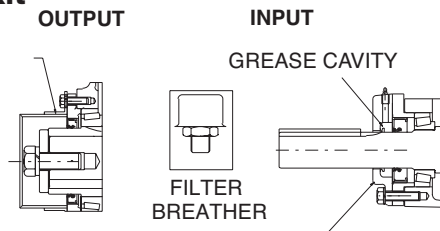
Adjustable Packing Kit

The adjustable packing kit is used with the standard CEMA adapter to allow repacking the adapter without removing it from the trough end. The adjustable packing kit is a proven sealing option for hostile environments, such as cement dust. Packing can be retightened.



Standard CEMA Adapter with Adjustable Packing Kit

Auxiliary Seal Kit



Auxiliary Seal Kits for DODGE Screw Conveyor Drives are available for SCXT Sizes 1-7 Speed Reducers. Each kit contains an input shaft auxiliary seal with cover, output shaft end cap and a filter air breather.

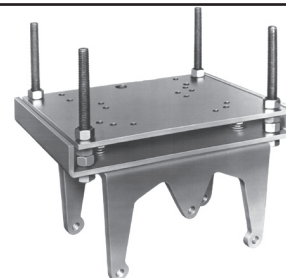
Belt Guard

A slotted metal panel style belt guard with mounting straps for SCXT Reducers will fit standard M series motor mounts. The belt guards are designed to fit most common sheave diameters. They mount easily with no machining required.



Motor mounts need no drilling.

Rugged, all-steel DODGE motor mounts bolt directly to the screw conveyor drive reducer. They're available in fourteen sizes, which easily fit NEMA motor frames. Since the four adjusting bolts allow easy belt tensioning, it's less time-consuming and you save on installation costs immediately.



CEMA drive shafts offer easy installation and maintenance.

This means increased production, less down-time and substantial cost savings. You can save even more because of convenience and interchangeability. Different diameter drive shafts are interchangeable within each drive, and there's a wide range of diameters from 1-1/2 to 3-7/16 inches to choose from. Stainless steel and three-hole CEMA drive shafts are available on request.





FEATURES/BENEFITS

TORQUE-ARM Shaft Mount Speed Reducers

DODGE HYDROIL™ DRIVES

Hydraulically Powered TORQUE-ARM Speed Reducers with Infinitely Adjustable Speed and Torque

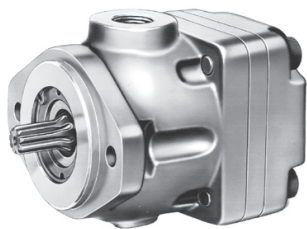
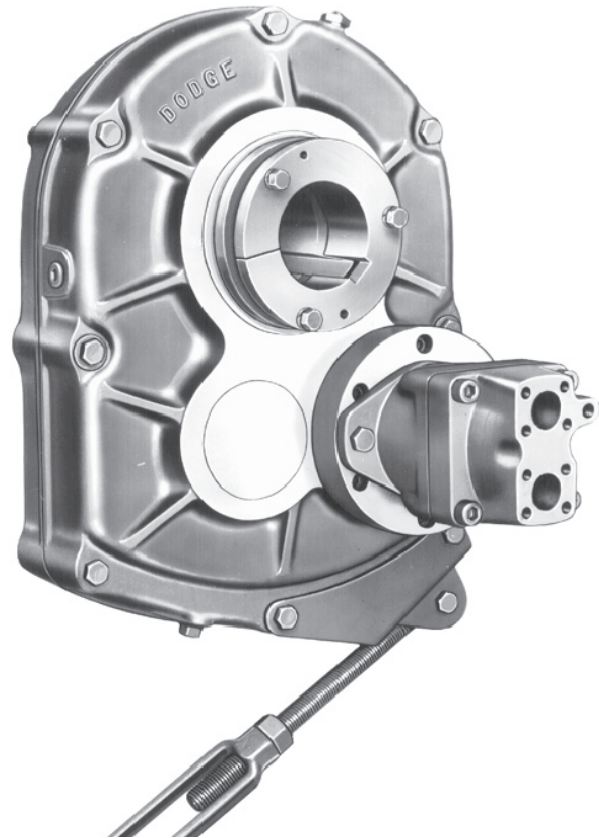
This is a modified version of the famous TORQUE-ARM speed reducer with the same quality features and ease of installation.

A Hydraulic motor powers the HYDROIL reducer, greatly expanding its scope of application and versatility. It has proven to be popular for locations remote from the prime mover where shafts or belt and chain drives are impractical or where electric motors are not available. Exceptional flexibility is provided in the control of the driven machine by simply regulating the pressure and volume of fluid fed to the HYDROIL motor.

Users can provide flexible control of the HYDROIL drive by selecting proper auxiliary equipment. Output speeds of the reducer are infinitely adjustable through the use of regulating valves in the hydraulic circuit. Both speed and torque can be adjusted to meet the requirements of the driven machine which can be inched or jogged. The direction of rotation is reversible.

Where V-belt drives or electric motors cannot be used, DODGE offers a screw conveyor drive powered by a hydraulic motor.

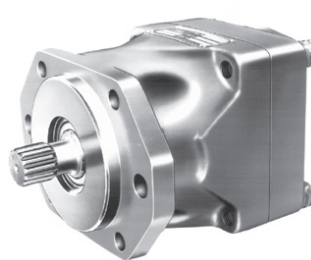
Hydroil Vane Motors are a superior single stage vane type fluid motor. A series of internal ports admit oil to and carry it from the power element. Complete hydraulic balance of the assembly contributes to the mechanical efficiency and long life of these motors as well as to their unusually quiet operation. Other exclusive features assure a minimum of friction and efficient valving action regardless of operating speeds.



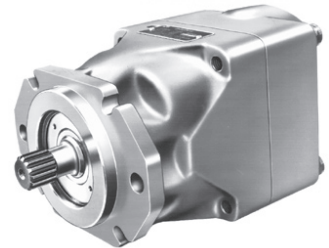
**HYDROIL Vane Motors
A10 and A20**



**HYDROIL Vane Motors
B30**



**HYDROIL Vane Motors
B40**



**HYDROIL Vane Motors
B50**



SPECIFICATIONS

TORQUE-ARM Shaft Mount Speed Reducers

General Specifications

TORQUE-ARM Speed Reducers:

The speed reducer shall be a belt driven enclosed shaft mount type unit with a single or double reduction ratio. The reducer shall mount directly on the driven shaft and utilize an adjustable torque arm that attaches from the gear case to the support structure or foundation. Optional all steel motor mount adjusts to various belt center distances and supports the motor.

The reducer housing shall be constructed of two-piece corrosion resistant, class 30 gray iron. All housings shall be doweled and precision machined to assure accurate alignment for all gear sets.

All gearing shall be of helical design, case carburized and precision finished to insure a high surface durability with a resilient tooth core for impact resistance and optimum service

life. Gears shall be supported between bearings to maintain proper alignment of gear meshes, to maximize load carrying capabilities, and to eliminate overhung loads imposed on bearings. Design meets or exceeds AGMA standards.

Reducer bearings shall be of the ball or tapered roller type, and provide a 25,000 hour minimum average life, 5,000 L-10 AGMA Class I standard.

All seals shall be of the lip, spring loaded type, made of nitrile rubber or HNBR.

Reducer installation shall be accomplished by using ductile iron, fully split, two bushing system. Reducer removal shall be accomplished by providing jack screw holes in the bushing flanges to mechanically remove the tapered assembly.

Screw Conveyor Drives:

The drive shall be a belt driven enclosed, adapter mounted unit with a single or double reduction ratio. The drive shall consist of a standard speed reducer; a cast iron, bolt on, four bolt mounting adapter with double lip seals on both ends, an optional bolt on adjustable packing kit, and a drive shaft machined from a high quality alloy steel. The drive shall conform to Conveyor Equipment Manufacturers Association (CEMA) standards. Optional all steel motor mount adjusts to various belt center distances and supports the motor.

The reducer housing shall be constructed of two-piece corrosion resistant, class 30 gray iron. All housings shall be doweled and precision machined to assure accurate alignment of all gear sets.

All gearing shall be of helical design, case carburized and precision finished to insure a high surface durability with a resilient tooth core for impact resistance and optimum service life. Gears shall be supported between bearings to maintain proper alignment of gear meshes, to maximize load carrying capabilities, and to eliminate overhung loads imposed on bearings. Design meets or exceeds AGMA standards.

Reducer output bearings shall be of the tapered roller type, to absorb thrust loads from the screw conveyor. All bearings shall provide 25,000 hour minimum average life, 5,000 L-10 AGMA Class I standard.

All seals shall be of the lip, spring loaded type, made of nitrile rubber or HNBR.

HYDROIL Drives:

The speed reducer shall be a hydraulically powered enclosed shaft mount type unit with a single or double reduction ratio. The reducer shall mount directly on the driven shaft and utilize an adjustable torque arm that attaches from the gear case to the support structure or foundation.

The reducer shall be powered using a Hydroil single stage vane type fluid motor. The reducer shall be provided with a cast iron SAE mounting flange adaptor and splined input shaft to allow an integral fit with the splined hydraulic motor shaft.

The reducer housing shall be constructed of two-piece corrosion resistant, class 30 gray iron. All housings shall be doweled and precision machined to assure accurate alignment for all gear sets.

All gearing shall be of helical design, case carburized and precision finished to insure a high surface durability with a

resilient tooth core for impact resistance and optimum service life. Gears shall be supported between bearings to maintain proper alignment of gear meshes, to maximize load carrying capabilities, and to eliminate overhung loads imposed on bearings. Design meets or exceeds AGMA standards.

Reducer bearings shall be of the ball or tapered roller type and provide a 25,000 hour minimum average life, 5,000 L-10 AGMA Class I standard.

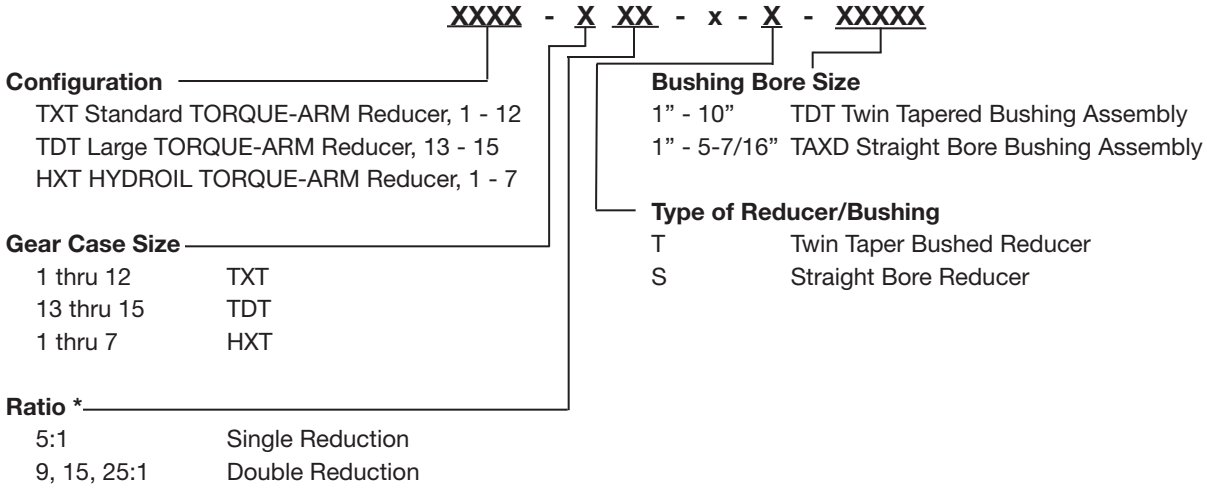
All seals shall be of the lip, spring loaded type, made of nitrile rubber or HNBR.

Reducer installation shall be accomplished by using ductile iron, fully split, two bushing system. Reducer removal shall be accomplished by providing jack screw holes in the bushing flanges to mechanically remove the tapered assembly.

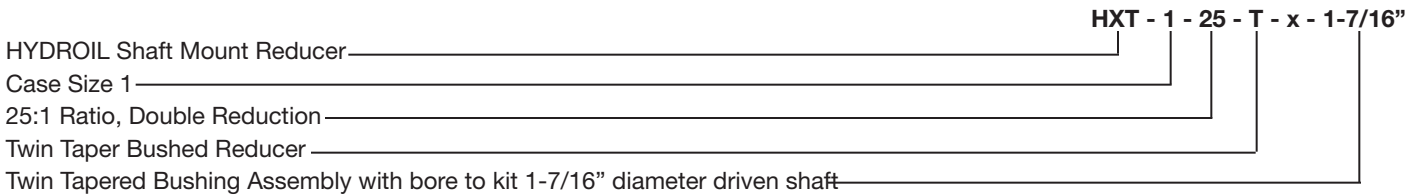
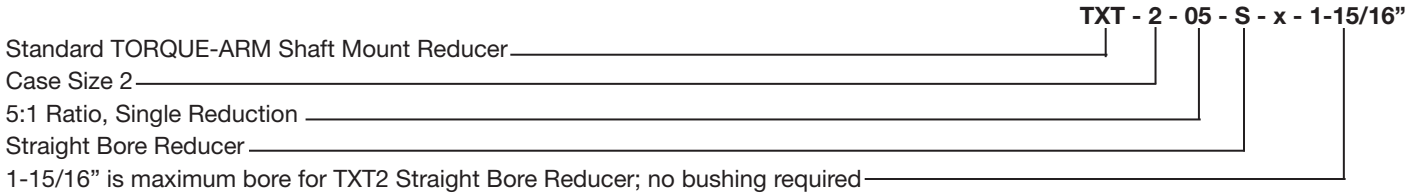
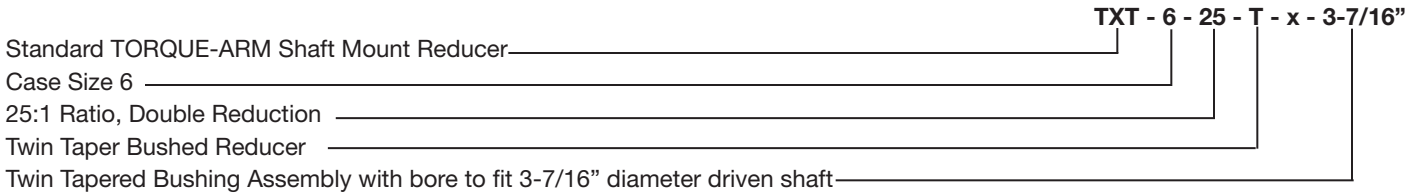
NOMENCLATURE



TORQUE-ARM Shaft Mount Speed Reducers NOMENCLATURE: TORQUE-ARM REDUCERS



NOMENCLATURE EXAMPLE: TORQUE-ARM REDUCERS



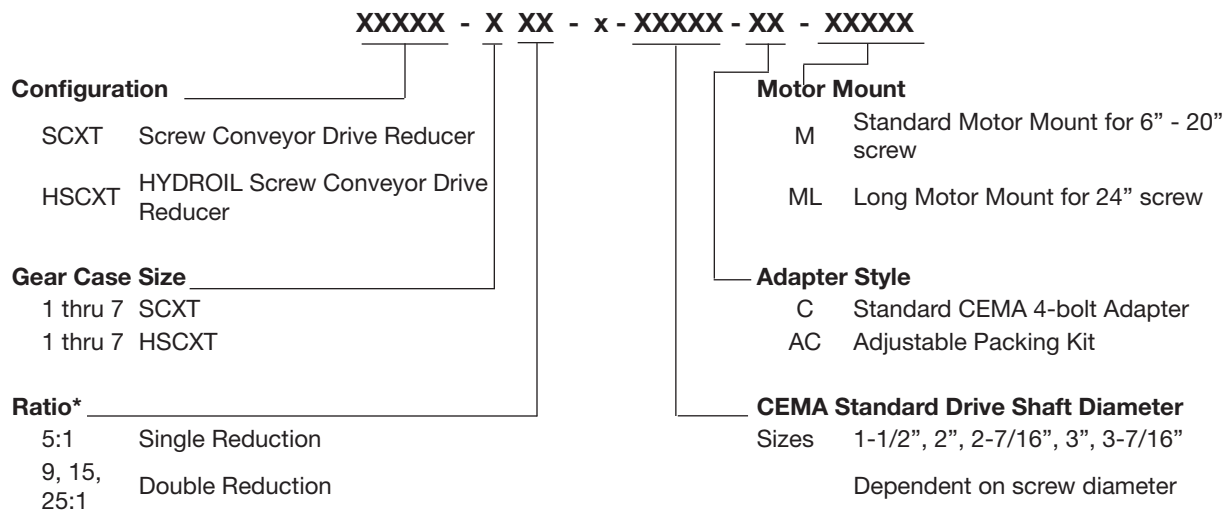
* **Note:** "A", "B" or "C" in nomenclature after ratio denotes latest reducer design

FEATURES/BENEFITS PAGE G2-2	SPECIFICATION PAGE G2-9	MODIFICATION/ACCESSORIES PAGE G2-71	RELATED PRODUCTS PAGE G2-152
--------------------------------	----------------------------	--	---------------------------------

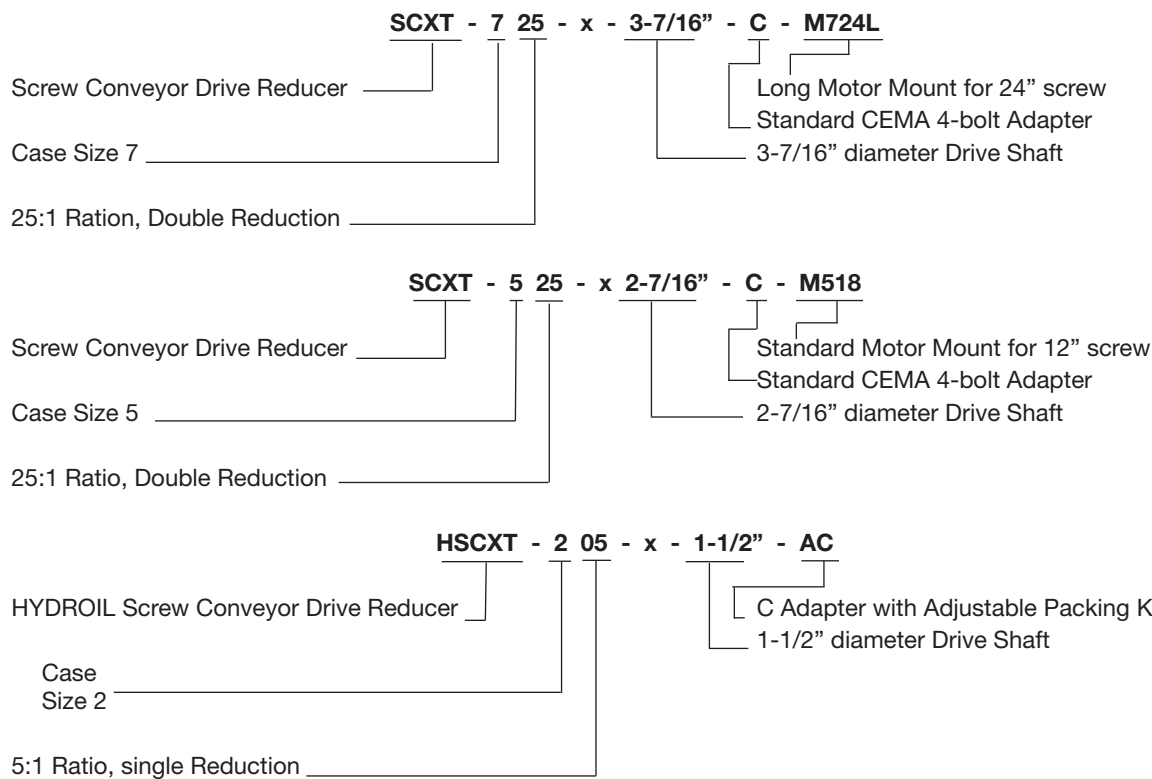


NOMENCLATURE

TORQUE-ARM Shaft Mount Speed Reducers NOMENCLATURE: SCREW CONVEYOR DRIVE REDUCERS



NOMENCLATURE EXAMPLE: SCREW CONVEYOR DRIVE REDUCERS



* **Note:** "A", "B" or "C" in nomenclature after ratio denotes latest reducer design



SELECTIONS

TORQUE-ARM Shaft Mount Speed Reducers

When to Use Easy Selection

The Easy Selection tables for TXT Shaft Mount reducers are for electric motor selections up to 700 horsepower with output speeds up to 400 RPM, using AGMA recommended application class numbers. For extreme shock or high energy loads which must be absorbed, as when stalling; for power source other than an electric motor; or for extreme ambient temperatures, or oversized equipment, consult DODGE Application Engineering, (864) 284-5700.

How to Select

Step 1: Determine Class of Service-See Table 1, page G2-15, to determine Load Classification for applications under normal conditions. Find the type application and duty cycle that most closely matches your specific application.

Class I Steady load not exceeding Motor HP rating and light shock loads during 10 hours a day. Moderate shock loads are allowable if operation is intermittent.

For Class I applications, the maximum value of starting and momentary peak loads should not exceed 2 x Motor HP rating. If it exceeds this amount it should be divided by 2 and the result used in the selection table instead of the Motor HP rating.

Class II Steady load not exceeding Motor HP rating for over 10 hours a day. Moderate shock loads are allowable during 10 hours a day.

For Class II applications, the maximum value of starting and momentary peak loads should not exceed 2.8 x Motor HP rating. If it exceeds this amount it should be divided by 2.8 and the result used in the selection table instead of the Motor HP rating.

Class III Moderate shock loads for over 10 hours a day. Heavy shock loads are allowable during 10 hours a day.

For Class III applications, the maximum value of starting and momentary peak loads should not exceed 4 x Motor HP rating. If it exceeds this amount it should be divided by 4 and the result used in the selection table instead of the Motor HP rating.

Step 2: Determine Reducer Size-See the Easy Selection Tables, pages G2-18 thru G2-29. From Selection Table I, II or III read the reducer size for the application horsepower and output speed. **Note:** For applications where fan cooling is unacceptable use the Easy Selection tables with an increased Class number. Where more than one reducer selection is listed, the most economical ratio is generally listed first. See Table 31, page G2-179 for maximum input and output speeds.

Step 3: Compare Hollow Shaft Bore with the size of the driven shaft. All DODGE Torque-Arm Taper Bushed reducers require bushings. Refer to reducer pages for available bushings. If the driven shaft is larger than the bore of the selected reducer, the shaft must be machined to the proper size, or select a larger reducer. Check driven shaft and key for strength.

Step 4: Check Dimensions-See Selection/Dimensions section, pages G2-30 thru G2-71 for reducer dimensions, weights and part numbers. See Engineering/Technical section, page G2-173 for reducer mounting positions. For optional Torque-Arm rod mounting positions, see page G2-176.

FEATURES/BENEFITS PAGE G2-2	SPECIFICATION PAGE G2-9	MODIFICATION/ACCESSORIES PAGE G2-71	RELATED PRODUCTS PAGE G2-152
--------------------------------	----------------------------	--	---------------------------------



SELECTIONS

TORQUE-ARM Shaft Mount Speed Reducers

Step 5: Select a Belt Drive Arrangement-From the Sheave Ratio table, page G2-164 through G2-167, select the required sheave ratio for the belt drive. Be careful to select the belt drive so that the sheave mounted on the reducer shaft is not smaller than the minimum sheave diameter shown in Table 19, page G2-163. Note: Mount the sheave as close as possible to the reducer to minimize the effect of overhung load on the reducer.

Step 6: Select Accessories-See Modifications/Accessories section, pages G2-73 thru G2-81, for description, dimensions, weights, and part numbers for accessories available for the Torque-Arm reducer selected:

Motor Mounts Backstop Assemblies Belt Guards
Cooling Fans Auxiliary Seal Kits Filter Breathers
Auxiliary End Covers

NOTE: A Torque-Arm rod assembly is furnished with all TXT and HXT reducers, except for those factory-prepared for flange mounting. Torque-Arm reducers are shipped without oil.

Ratings and selections are the same for both taper bushed and straight bore reducers - standard, inclined or vertically mounted.

EXAMPLES: Easy Selection Method - TXT TORQUE-ARM Reducers

A 10 HP 1750 RPM motor is used to drive a uniformly loaded belt conveyor moving sand at 70 RPM, operating 16 hours per day. Head pulley shaft diameter is 2-7/16". Spec calls for a means of holding the conveyor from moving backwards. User needs immediately so does not have time to build his own motor mount or belt guard.

Step 1: Determine Class of Service-From Table 1, locate "belt conveyors, uniformly loaded or fed" for over 10 hours per day. This load is classified as a Class II application.

Step 2: Determine Reducer Size-From Table 3-Class II Application, page G2-23, find the column for 10 HP and read down to 70 RPM. A TXT425 reducer is the correct selection.

Step 3: Compare Hollow Shaft Bore of TXT425 with the application driven shaft diameter. Per page G2-43, 2-7/16" is the maximum bore available for this size reducer, so it will work in this application. Be sure to check driven shaft and key for strength.

Step 4: Check Dimensions and Weights-See Selection/Dimensions section, page G2-30 thru G2-71, for reducer dimensions, weights, part numbers and other pertinent drive dimensions. See Engineering/Technical section, page G2-173 for information on mounting positions.

Step 5: Select a Belt Drive Arrangement-From the Sheave Ratio table, page G2-164, select a V-drive ratio for the conveyor speed of 70 RPM. With this information, select a belt drive that meets your customer's needs - i.e. belt style preference, service factor requirements, Taper Lock or QD mounting, etc. Sheave diameter must not be less than minimum diameters shown in Table 19, page G2-163.

Step 6: Select Accessories-See Modifications/Accessories section of catalog to pick out accessories for this application:

TXT4 Backstop Assembly - to hold conveyor from moving backwards when shutdown

TXT4 Auxiliary Seal Kit - extra help to keep sand out of the TXT425 reducer

TA4M Motor Mount - to mount motor to top of TXT425 reducer

TXT4D Belt Guard - to cover and protect the rotating belt drive

FEATURES/BENEFITS PAGE G2-2	SPECIFICATION PAGE G2-9	MODIFICATION/ACCESSORIES PAGE G2-71	RELATED PRODUCTS PAGE G2-152
--------------------------------	----------------------------	--	---------------------------------

SELECTIONS



TORQUE-ARM Shaft Mount Speed Reducers

SELECTION GUIDE: TXT TORQUE-ARM SHAFT MOUNT REDUCERS

This Is A Reference Sheet For Quick Selection And Specification Of DODGE TXT TORQUE-ARM Shaft Mount Reducers. Use It To Identify Information Needed To Make An Accurate Selection With A Step-By-Step Selection Format For Choosing Reducers, Accessories And Belt Drive.

Name _____ Company Name _____

Phone No. _____ Fax. No. _____

Application Data:

Type of Driven Equipment _____

Hours of service per day _____ Class of Service _____

Type of Load: Uniform _____ Moderate _____ Shock _____

Motor Type: HP _____ RPM _____ Frame Size _____ Shaft Size _____

RPM of Driven Equipment _____ Driven Shaft Size _____

Type of Reducer Mounting: Horizontal _____ Vertical: Input Up _____

Input Down _____ Incline (Degree of) _____ Flange _____

Unusual Ambient Temperature _____

Other Pertinent Application Characteristics (i.e.-dusty Environment, Reversing Duty, Start/Stop Cycles. Etc.) _____

Reducer Driver Selection

Step 1 - Determine Class of Service

Step 2 - From Appropriate Service Class Table, Select Reducer Size And Ration That Meets Application HP And Driven RPM Requirements:

Twin Taper Bushed _____ Straight Bore _____

Step 3 - Select Reducer Accessories Required For Application: Backstop

Motor Mount: Standard _____ Long _____ Bottom _____

Belt Guard: Standard _____ Long _____ Cooling Fan _____

Auxiliary Seal Kit _____

Other _____

Belt Drive Specification:

Service Factor _____ Belt Drive Ratio Needed _____

Belt Center Distance _____ Type of Belt Desired _____

Driver: Shaft Diameter _____ Driven: Shaft Diameter _____

Sheave _____ Sheave _____

Bushing _____ Bushing _____

Belts: Size _____ Quantity _____



SELECTIONS

TORQUE-ARM Shaft Mount Speed Reducers

Table 1 - Application Classification And Class

Application	Class Numbers		Application	Class Numbers	
	3 to 10 Hrs	Over 10 Hrs		3 to 10 Hrs	Over 10 Hrs
	per Day	per Day		per Day	per Day
AGITATORS (Mixers)			ELEVATOR (continued)		
Pure Liquids	I	II	Centrifugal Discharge	I	II
Liquids and Solids	II	II	Escalators	I	II
Liquids-Variable Density	II	II	Freight	II	II
BLOWERS			Gravity Discharge	I	II
Centrifugal	I	II	EXTRUDERS		
Lobe	II	II	General	II	II
Vane	II	II	Plastics		
BREWING AND DISTILLING			Variable Speed Drive	III	III
Bottling Machinery	I	II	Fixed Speed Drive	III	III
Brew Kettles-Continuous Duty	II	II	Rubber		
Cookers-Continuous Duty	II	II	Continuous Screw Operation	III	III
Mash Tubs-Continuous Duty	II	II	Intermittent Screw Operation	III	III
Scale Hopper-Frequent Starts	II	II	FANS		
CAN FILLING MACHINES	I	II	Centrifugal	I	II
CAR DUMPERS	III	III	Forced Draft	II	II
CAR PULLERS	II	II	Induced Draft	II	II
CLARIFIERS	I	II	Industrial & Mine	II	II
CLASSIFIERS	II	II	Class Numbers		
CLAY WORKING MACHINERY			FEEDERS		
Brick Press	III	III	Apron	II	II
Briquette Machine	III	III	Belt	II	II
Pug Mill	II	II	Disc	I	II
COMPACTORS	★	★	Reciprocating	III	III
COMPRESSORS			Screw	II	II
Centrifugal	I	II	FOOD INDUSTRY		
Lobe	II	II	Cereal Cooker	I	II
Reciprocating, Multi-Cylinder	II	III	Dough Mixer	II	II
Reciprocating, Single-Cylinder	III	III	Meat Grinders	II	II
CONVEYORS-GENERAL PURPOSE			Slicers	II	II
Includes Apron, Assembly, belt, Bucket			GENERATORS AND EXCITERS	II	II
Chain, Flight, Oven and Screw			HAMMER MILLS	III	III
Uniformly Loaded or Fed	I	II	HOISTS	★	★
Heavy Duty-Not Uniformly Fed	II	II	LAUNDRY TUMBLERS	II	II
Severe Duty-Reciprocating or Shaker	III	III	LAUNDRY WASHERS	II	III
CRANES	★	★	LUMBER INDUSTRY		
CRUSHER			Bakers		
Stone or Ore	III	III	Spindle Feed	II	II
DREDGES			Main Drive	III	III
Cable Reels	II	II	Conveyors		
Conveyors	II	II	Burner	II	II
Cutter Head Drives	III	III	Main or Heavy Duty	II	II
Pumps	III	III	Main Log	III	III
Screen Drives	III	III	"Re-saw, Merry-Go-Round"	II	II
Stackers	II	II	Slab	III	III
Winches	II	II	Transfer	II	II
ELEVATORS			Chains		
Bucket	II	II	Floor	II	II

★ Consult DODGE for more information on class number

FEATURES/BENEFITS PAGE G2-2	SPECIFICATION PAGE G2-9	MODIFICATION/ACCESSORIES PAGE G2-71	RELATED PRODUCTS PAGE G2-152
--------------------------------	----------------------------	--	---------------------------------



SELECTIONS

TORQUE-ARM Shaft Mount Speed Reducers

Table 1 - Application Classification And Class

Application	Class Numbers		Application	Class Numbers	
	3 to 10 Hrs	Over 10 Hrs		3 to 10 Hrs	Over 10 Hrs
	per Day	per Day		per Day	per Day
LUMBER INDUSTRY (continued)			MILLS, ROTARY TYPE (continued)		
Green	II	III	Helical Ring Gear	II	II
Cut-Off Saws			Direct Connected	III	III
Chain	II	III	Cement Kilns	II	II
Drag	II	III	Dryers & Coolers	II	II
Debarking Drums	III	III	MIXERS, CEMENT		
Feeds			PAPER MILLS		
Edger	II	II	Agitator (Mixer)	II	II
Gang	III	III	Agitator for Pure Liquors	II	II
Trimmer	II	II	Barking Drums	III	III
Log Deck	III	III	Barkers-Mechanical	III	III
Log Hauls-Incline-Well Type	III	III	Beater	II	II
Log Tuning Devices	III	III	Breaker Stack	II	II
Planer Feed	II	II	Chipper	III	III
Planer Tilting Hoists	II	II	Chip Feeder	II	II
Rolls-Live-off brg.- Roll Cases	III	III	Coating Rolls	II	II
Sorting Table	II	II	Conveyors		
Triple Hoist	II	II	Chip, Bark, Chemical	II	II
Transfers			Log (including Slab)	III	III
Chain	II	III	Couch Rolls	II	II
Craneway	II	III	Cutter	III	III
Tray Drives	II	II	Cylinder Molds	II	II
Veneer Lathe Drives	II	II	Embosser	II	II
METAL MILLS			Extruder	II	II
Draw bench Carriage and Main Drive	II	II	Fourdrinier Rolls (includes Lump		
Runout Table			breaker, dandy roll, wire		
Non-Reversing			turning, and return rolls	II	II
Group Drives	II	II	Jordan	II	II
Individual Drives	III	III	Kiln Drive	II	II
Reversing	III	III	Mt. Hope Roll	II	II
Slab Pushers	II	II	Paper Rolls	II	II
Shears	III	III	Platter	II	II
Wire Drawing	II	II	Presses-Felt & Suction	II	II
Wire Winding Machine	II	II	Pulper	III	III
METAL STRIP PROCESSING MACHINERY			Pumps-Vacuum	II	II
Bridles	II	II	Reel (Surface Type)	II	II
Coilers & Uncoilers	I	II	Screens		
Edge Trimmers	II	II	Chip	II	II
Flatteners	II	II	Rotary	II	II
Loopers (Accumulators)	I	I	Vibrating	III	III
Pinch Rolls	II	II	Size Press	II	II
Scrap Choppers	II	II	Thickener (AC Motor)	II	II
Shears	III	III	(DC Motor)	II	II
Slitters	II	II	Washer (AC Motor)	II	II
MILLS, ROTARY TYPE			(DC Motor)	II	II
Ball & Rod			Wind and Unwind Stand	I	I
Spur Ring Gear	III	III	Winders (Surface Type)	II	II



SELECTIONS

TORQUE-ARM Shaft Mount Speed Reducers

Table 1 - Application Classification And Class

Application	Class Numbers	
	3 to 10 Hrs	Over 10 Hrs
	per Day	per Day
PLASTICS INDUSTRY-SECONDARY PROCESSING		
Blow Molders	II	II
Coating	II	II
Film	II	II
Pipe	II	II
Pre-Plasticizers	II	II
Rods	II	II
Sheet	II	II
Tubing	II	II
PULLERS-BARGE HAUL	II	II
PUMPS		
Centrifugal	I	II
Proportioning	II	II
Reciprocating		
Single Acting, 3 or more cylinders	II	II
Double Acting, 2 or more cylinders	II	II
Rotary		
Gear Type	I	II
Lobe	I	II
Vane	I	II
RUBBER AND PLASTICS INDUSTRY		
Intensive Internal Mixers		
Batch Mixers	III	III
Continuous Mixers	II	II
Mixing Mill		
2 smooth rolls	II	II
or 2 corrugated rolls	III	III
Batch Drop Mill - 2 smooth rolls	II	II
Cracker Warmer - 2 roll, 1 corrugated roll	III	III
Cracker-2 corrugated rolls	III	III
Holding, Feed & Blend Mill-2 rolls	II	III
Refiner-2 rolls	II	II
Calenders	II	II
SAND MULLER	II	II
SEWAGE DISPOSAL EQUIPMENT		
Bar Screens	II	II
Chemical Feeders	II	II
Dewatering Screens	II	II
Scum Breakers	II	II
Slow or Rapid Mixers	II	II
Sludge Collectors	II	II
Thickener	II	II
Vacuum Filters	II	II
SCREENS		
Air Washing	I	II
Rotary-Stone or Gravel	II	II
Traveling Water Intake	I	I

Application	Class Numbers	
	3 to 10 Hrs	Over 10 Hrs
	per Day	per Day
SCREW CONVEYORS		
Uniformly Loaded or Fed	I	II
Heavy Duty	II	II
SUGAR INDUSTRY		
Beet Slicer	III	III
Cane knives	II	II
Crushers	II	II
Mills (low speed end)	III	III
TEXTILE INDUSTRY		
Batchers	II	II
Calenders	II	II
Cards	II	II
Dry Cans	II	II
Dyeing Machinery	II	II
Looms	II	II
Mangles	II	II
Nappers	II	II
Pads	I	II
Stashers	II	II
Soapers	II	II
Spinners	II	II
Tenter Frames	II	II
Washers	II	II
Winders	II	II

Reference: AGMA Standard 6021-G89 (11/89). The table of application class numbers has been developed from the experience of manufacturers and users of gear drives for use in common applications and has been found to be generally satisfactory for the listed industries when gears are rated using AGMA standards. It is recommended that class numbers for special applications be agreed upon by the user and the gear manufacturer when variations of the table may be required. Special conditions can be any special type of prime mover, starting or stopping conditions, system conditions, ambient conditions, lubrication, overloads, overspeeds, brake equipped applications, high inertia and reversing loads.

EASY SELECTIONS



TORQUE-ARM Shaft Mount Speed Reducers

Table 2 - Class I Selection Table TXT Reducers ★

HP	Output RPM	Reducer Selection		HP	Output RPM	Reducer Selection		
		Single	Double			Single	Double	
1/4	4-70		TXT125A TXT115A	1-1/2 (Continued)	13-23		TXT225A	
	71-85		TXT115A TXT125A		24-70		TXT125A TXT115A	
	86-115		TXT115A TXT109A		71-85		TXT115A TXT125A	
	116-140	TXT105	TXT109A TXT115A		86-115		TXT115A TXT109A	
	141-200	TXT105	TXT109A		116-140	TXT105	TXT109A TXT115A	
	201-400	TXT105			141-200	TXT105	TXT109A	
1/3	5-70		TXT125A TXT115A		2	4-6		TXT525C
	71-85		TXT115A TXT125A			7-10		TXT425B
	86-115		TXT115A TXT109A	11-17			TXT325B	
	116-140	TXT105	TXT109A TXT115A	18-32			TXT225A TXT215A	
	141-200	TXT105	TXT109A	33-70			TXT125A TXT115A	
	201-400	TXT105		71-85			TXT115A TXT125A	
1/2	4-6		TXT225A	86-115			TXT115A TXT109A	
	7-70		TXT125A TXT115A	116-140		TXT105	TXT109A TXT115A	
	71-85		TXT115A TXT125A	141-200		TXT105	TXT109A	
	86-115		TXT115A TXT109A	201-400		TXT105		
	116-140	TXT105	TXT109A TXT115A	3	4-5		TXT625A	
	141-200	TXT105	TXT109A		6-10		TXT525C	
	201-400	TXT105			11-15		TXT425B	
3/4	4-5		TXT325B		16-26		TXT325B	
	6-10		TXT225A		27-51		TXT225A TXT215A	
	11-70		TXT125A TXT115A		52-70		TXT125A TXT115A	
	71-85		TXT115A TXT125A		71-85		TXT115A TXT125A	
	86-115		TXT115A TXT109A		86-115		TXT115A TXT109A	
	116-140	TXT105	TXT109A TXT115A		116-140	TXT105	TXT109A TXT115A	
	141-200	TXT105	TXT109A		141-200	TXT105	TXT109A	
	201-400	TXT105		201-400	TXT105			
1	4-5		TXT425B	5	5-6		TXT725A	
	6-7		TXT325B		7-9		TXT625A	
	8-15		TXT225A		10-17		TXT525C	
	16-70		TXT125A TXT115A		18-26		TXT425B TXT415B	
	71-85		TXT115A TXT125A		27-46		TXT325B TXT315B	
	86-115		TXT115A TXT109A		47-70		TXT225A TXT215A	
	116-140	TXT105	TXT109A TXT115A		71-85		TXT215A TXT225A	
	141-200	TXT105	TXT109A		86-92		TXT109A TXT215A	
	201-400	TXT105			93-115		TXT115A TXT109A	
1-1/2	4		TXT525C		116-119		TXT109A TXT115A	
	5-7		TXT425B	120-140	TXT105	TXT109A TXT115A		
	8-12		TXT325B					

★ See page G2-173 for lubrication for 15 RPM and slower

FEATURES/BENEFITS PAGE G2-2	SPECIFICATION PAGE G2-9	MODIFICATION/ACCESSORIES PAGE G2-71	RELATED PRODUCTS PAGE G2-152
--------------------------------	----------------------------	--	---------------------------------



EASY SELECTIONS

TORQUE-ARM Shaft Mount Speed Reducers

Table 2 - Class I Selection Table TXT Reducers ★

HP	Output RPM	Reducer Selection		HP	Output RPM	Reducer Selection	
		Single	Double			Single	Double
5 (Continued)	141-200	TXT105	TXT109A	15 (Continued)	116-140	TXT405A	TXT315B TXT309B+
	201-400	TXT105			141-145	TXT405A	TXT309B+
7-1/2	4-6		TXT825A		146-200	TXT305A	TXT309B+
	7-9		TXT725A		201-400	TXT305A	
	10-15		TXT625A	20	4-6		TXT1225
	16-26		TXT525C		7-8		TXT1024A
	27-40		TXT425B TXT415B		9-12		TXT926A
	41-70		TXT325B TXT315B		13-18		TXT825A
	71-74		TXT315B TXT325B		19-26		TXT725A TXT715A
	75-85		TXT215A TXT225A		27-45		TXT625A TXT615A
	86-95		TXT215A TXT209A		46-70		TXT525C TXT515C
	96-140	TXT205	TXT209A TXT215A		71-78		TXT515C TXT525C
	141-200	TXT205	TXT209A		79-85		TXT415B TXT425B
	201-231	TXT205			86-115		TXT415B TXT409B+
	232-400	TXT105			116-140	TXT405A	TXT409B+ TXT415B+
	10	5			TXT926A	141-200	TXT405A
6-8			TXT825A		201-241	TXT405A	
9-12			TXT725A		242-400	TXT305A+	
13-20			TXT625A	25	5-7		TXT1225
21-36			TXT525C TXT515C		8-10		TXT1024A
37-56			TXT425B TXT415B		11-15		TXT926A
57-70			TXT325B TXT315B		16-23		TXT825A
71-85			TXT315B TXT325B		24-33		TXT725A TXT715A
86-103			TXT315B TXT309B		34-59		TXT625A TXT615A
104-115			TXT215A TXT209A		60-70		TXT525C+ TXT515C+
116-140		TXT305A	TXT215A		71-80		TXT515C+ TXT525C+
141-158		TXT305A	TXT309B		81-101		TXT515C+ TXT509C+
159-200		TXT305A	TXT309B		102-132	TXT505A	TXT415B+ TXT409B+
201-400		TXT205			133-140	TXT505A	TXT409B+ TXT415B+
15	5-6		TXT1024A		141-163	TXT505A	TXT409B+
	7-8		TXT926A		164-200	TXT405A+	TXT409B+
	9-13		TXT825A		201-400	TXT405A+	
	14-19		TXT725A	30	4-5		TDT1425
	20-32		TXT625A TXT615A		6-9		TXT1225
	33-56		TXT525C TXT515C		10-13		TXT1024A
	57-70		TXT425B TXT415B		14-19		TXT926A
	71-85		TXT415B TXT425B		20-28		TXT825A TXT815A
	86-93		TXT415B TXT409B		29-41		TXT725A TXT715A
	94-115		TXT309B+ TXT315B		42-70		TXT625A TXT615A

★ See page G2-173 for lubrication for 15 RPM and slower

+ Fan cooling required - see page G2-81.

FEATURES/BENEFITS PAGE G2-2	SPECIFICATION PAGE G2-9	MODIFICATION/ACCESSORIES PAGE G2-71	RELATED PRODUCTS PAGE G2-152
--------------------------------	----------------------------	--	---------------------------------



EASY SELECTIONS

TORQUE-ARM Shaft Mount Speed Reducers

Table 2 - Class I Selection Table TXT Reducers ★

HP	Output RPM	Reducer Selection		
		Single	Double	
30 (Continued)	71-75		TXT615A TXT625A	
	76-115		TXT515C+ TXT509C+	
	116-125	TXT605	TXT509C+ TXT515C+	
	126-131	TXT605	TXT409B+	
	132-200	TXT505A	TXT409B+	
	201-215	TXT505A+		
	216-400	TXT405A+		
40	5-6		TDT1425	
	7		TDT1325	
	8-12		TXT1225	
	13-18		TXT1024A	
	19-25		TXT926A TXT915A	
	26-38		TXT825A TXT815A	
	39-57		TXT725A TXT715A	
	58-70		TXT625A TXT615A	
	71-81		TXT615A+ TXT625A+	
	82-114	TXT605	TXT615A+ TXT609A+	
	115-125	TXT605	TXT515C+ TXT509C+	
	126-200	TXT605	TXT509C+	
	201-241	TXT605		
	242-400	TXT505A+		
50	3-5		TDT1530	
	6-8		TDT1425	
	9		TDT1325	
	10-15		TXT1225	
	16-22		TXT1024A	
	23-32		TXT926A TXT915A	
	33-49		TXT825A TXT815A	
	50-70		TXT725A TXT715A	
	71-74		TXT715A TXT725A	
	75-125		TXT615A+ TXT709A+	
	126-163	TXT605+	TXT709A+	
	164-200	TXT605+	TXT609A+	
	201-400	TXT605+		
	60 (Continued)	4-6		TDT1530
7-11			TDT1425	
12			TDT1325	
13-18			TXT1225	
19-27			TXT1024A TXT1015A	
75	5-8		TDT1530	
	9-13		TDT1425	
	14-15		TDT1325	
	16-23		TXT1225	
	24-34		TXT1024A TXT1015A	
	35-50		TXT926A TXT915A	
	51-70		TXT825A TXT815A	
	71-78		TXT815A+	
	79-120		TXT715A+ TXT709A+	
	121-200	TXT705	TXT709A+	
	201-210	TXT705		
	211-400	TXT605+		
	100	6-11		TDT1530
		12-17		TDT1425
18-22			TDT1325	
23-31			TXT1225 TXT1215	
32-46			TXT1024A TXT1015A	
47-69			TXT926A+ TXT915A+	
70-120			TXT815A+	
121-123		TXT805+	TXT709A+	
124-200		TXT705+	TXT709A+	
201-400		TXT705+		
125	8-14		TDT1530	
	15-22		TDT1425	
	23-29		TDT1325	
	30-40		TXT1225 TXT1215	
	41-59		TXT1024A TXT1015A	
	60-70		TXT915A+ TXT926A+	
	71-90		TXT915A+	
	91-123		TXT815A+	
	124-172	TXT805+		
	173-400	TXT705+		

★ See page G2-173 for lubrication for 15 RPM and slower

+ Fan cooling required - see page G2-81.

FEATURES/BENEFITS PAGE G2-2	SPECIFICATION PAGE G2-9	MODIFICATION/ACCESSORIES PAGE G2-71	RELATED PRODUCTS PAGE G2-152
--------------------------------	----------------------------	--	---------------------------------



EASY SELECTIONS

TORQUE-ARM Shaft Mount Speed Reducers

Table 2 - Class I Selection Table TXT Reducers ★

HP	Output RPM	Reducer Selection	
		Single	Double
150	9-17		TDT1530
	18-27		TDT1425
	28-36		TDT1325
	37-49		TXT1225 TXT1215
	50-70		TXT1024A TXT1015A
	71-75		TXT1015A+ TXT1024A+
	76-80		TXT1015A+
	81-120		TXT915A+
	121-165	TXT905	
	166-400	TXT805+	
200	12-23		TDT1530
	24-36		TDT1425
	37-51		TDT1325+
	52-68		TXT1225* TXT1215*
	69-120		TXT1015A+
	212-400	TXT905+	
	250	16-30	
31-46			TDT1425+
47-67			TDT1325+
68-75			TXT1225* TXT1215*
76-120			TXT1215*

HP	Output RPM	Reducer Selection	
		Single	Double
300	19-36		TDT1530
	37-58		TDT1425*
	59-70		TDT1325+
	71-75		TDT1325*
	83-120		TXT1215*
350	23-43		TDT1530+
	44-69		TDT1425*
	70-75		TDT1325*
400	27-50		TDT1530+
	51-75		TDT1425*
450	30-31		TDT1530*
	32-57		TDT1530+
	59-75		TDT1425*
500	34-57		TDT1530*
	66-75		TDT1425*
600	41-57		TDT1530*
700	50-57		TDT1530*

- ★ See page G2-173 for lubrication for 15 RPM and slower
- + Fan cooling required - see page G2-81.
- * Heat exchanger required - see page G2-81.

FEATURES/BENEFITS PAGE G2-2	SPECIFICATION PAGE G2-9	MODIFICATION/ACCESSORIES PAGE G2-71	RELATED PRODUCTS PAGE G2-152
--------------------------------	----------------------------	--	---------------------------------

EASY SELECTIONS



TORQUE-ARM Shaft Mount Speed Reducers

Table 3 - Class II Selection Table TXT Reducers ★

HP	Output RPM	Reducer Selection	
		Single	Double
1/4	5-70		TXT125A TXT115A
	71-85		TXT115A TXT125A
	86-115		TXT115A TXT109A
	116-140	TXT105	TXT109A TXT115A
	141-200	TXT105	TXT109A
	201-400	TXT105	
1/3	4-6		TXT225A
	7-70		TXT125A TXT115A
	71-85		TXT115A TXT125A
	86-115		TXT115A TXT109A
	116-140	TXT105	TXT109A TXT115A
	141-200	TXT105	TXT109A
	201-400	TXT105	
1/2	4-5		TXT325B
	6-9		TXT225A
	10-70		TXT125A TXT115A
	71-85		TXT115A TXT125A
	86-115		TXT115A TXT109A
	116-140	TXT105	TXT109A TXT115A
	141-200	TXT105	TXT109A
	201-400	TXT105	
3/4	4-5		TXT425B
	6-8		TXT325B
	9-16		TXT225A
	17-70		TXT125A TXT115A
	71-85		TXT115A TXT125A
	86-115		TXT115A TXT109A
	116-140	TXT105	TXT109A TXT115A
	141-200	TXT105	TXT109A
	201-400	TXT105	
1	5-7		TXT425B
	8-11		TXT325B
	12-22		TXT225A
	23-70		TXT125A TXT115A
	71-85		TXT115A TXT125A
	86-115		TXT115A TXT109A
	116-140	TXT105	TXT109A TXT115A
	141-200	TXT105	TXT109A
201-400	TXT105		
1-1/2	5-6		TXT525C
	7-11		TXT425B
	12-18		TXT325B
	19-34		TXT225A TXT215A
	35-70		TXT125A TXT115A
	71-85		TXT115A TXT125A
	86-115		TXT115A TXT109A
	116-140	TXT105	TXT109A TXT115A
	141-200	TXT105	TXT109A
	201-400	TXT105	
	2	4-5	
6-9			TXT525C
10-14			TXT425B
15-24			TXT325B TXT315B
25-47			TXT225A TXT215A
48-70			TXT125A TXT115A
71-85			TXT115A TXT125A
86-115			TXT115A TXT109A
116-140		TXT105	TXT109A TXT115A
141-200		TXT105	TXT109A
201-400	TXT105		
3	4-5		TXT725A
	6-8		TXT625A
	9-14		TXT525C
	15-22		TXT425B TXT415B
	23-38		TXT325B TXT315B
	39-70		TXT225A TXT215A
	71-75		TXT215A TXT225A
	76-85		TXT115A TXT125A
	86-115		TXT115A TXT109A
	116-140	TXT105	TXT109A TXT115A
141-200	TXT105	TXT109A	
201-400	TXT105		
5	4-6		TXT825A
	7-8		TXT725A
	9-14		TXT625A
	15-24		TXT525C
	25-37		TXT425B TXT415B
	38-69		TXT325B TXT315B

★ See page G2-173 for lubrication for 15 RPM and slower

+ Fan cooling required - see page G2-81

FEATURES/BENEFITS PAGE G2-2	SPECIFICATION PAGE G2-9	MODIFICATION/ACCESSORIES PAGE G2-71	RELATED PRODUCTS PAGE G2-152
--------------------------------	----------------------------	--	---------------------------------

EASY SELECTIONS



TORQUE-ARM Shaft Mount Speed Reducers

Table 3 - Class II Selection Table TXT Reducers ★

HP	Output RPM	Reducer Selection	
		Single	Double
5 (Continued)	70-85		TXT215A TXT225A
	86-89		TXT215A TXT209A
	90-136	TXT205	TXT209A TXT215A
	137-140	TXT205	TXT115A TXT209A
	141-191	TXT205	TXT109A
	192-200	TXT105	TXT109A
	201-400	TXT105	
7-1/2	5		TXT926A
	6-9		TXT825A
	10-13		TXT725A
	14-21		TXT625A
	22-38		TXT525C TXT515C
	39-59		TXT425B TXT415B
	60-70		TXT325B TXT315B
	71-85		TXT315B TXT325B
	86-110		TXT315B TXT309B
	111-122		TXT215A
	123-140	TXT305A	TXT209A TXT215A
	141-183	TXT305A	TXT209A
	184-200	TXT205	TXT209A
	201-400	TXT205	
10	4		TXT1225
	5		TXT1024A
	6-7		TXT926A
	8-12		TXT825A
	13-18		TXT725A
	19-29		TXT625A TXT615A
	30-52		TXT525C TXT515C
	53-70		TXT425B TXT415B
	71-84		TXT415B TXT425B
	85-130		TXT315B TXT309B
	131-140	TXT305A	TXT315B TXT309B
	141-200	TXT305A	TXT309B
	201-353	TXT305A	
354-400	TXT205		
15	4-6		TXT1225
	7-9		TXT1024A
	10-12		TXT926A
	13-19		TXT825A

HP	Output RPM	Reducer Selection	
		Single	Double
15 (Continued)	20-27		TXT725A
	28-47		TXT625A TXT615A
	48-70		TXT525C TXT515C
	71-82		TXT515C TXT525C
	83-117		TXT415B TXT409B
	118-140	TXT405A	TXT409B TXT415B
	141-150	TXT405A	TXT409B
	151-200	TXT405A	TXT309B+
20	201-269	TXT405A	
	270-400	TXT305A	
	5		TDT1325
	6-8		TXT1225
	9-12		TXT1024A
	13-17		TXT926A
	18-26		TXT825A
	27-38		TXT725A TXT715A
	39-68		TXT625A TXT615A
	69-80		TXT515C TXT525C
25	81-89		TXT515C
	90-117		TXT515C+ TXT509C+
	118-125	TXT505A	TXT409B+ TXT415B+
	126-200	TXT505A	TXT409B+
	201-400	TXT405A+	
	4-6		TDT1425
	7-10		TXT1225
	11-15		TXT1024A
	16-22		TXT926A
	23-33		TXT825A TXT815A
30	34-49		TXT725A TXT715A
	50-80		TXT615A TXT625A
	81-94		TXT615A TXT609A
	95-125	TXT605	TXT509C+ TXT515C+
	126-174	TXT605	TXT509C+
	175-200	TXT505A	TXT409B+
	201-270	TXT505A	
	271-400	TXT405A+	
	5-7		TDT1425
	8		TDT1325
9-12		TXT1225	

★ See page G2-173 for lubrication for 15 RPM and slower

+ Fan cooling required - see page G2-81

FEATURES/BENEFITS PAGE G2-2	SPECIFICATION PAGE G2-9	MODIFICATION/ACCESSORIES PAGE G2-71	RELATED PRODUCTS PAGE G2-152
--------------------------------	----------------------------	--	---------------------------------



EASY SELECTIONS

TORQUE-ARM Shaft Mount Speed Reducers

Table 3 - Class II Selection Table TXT Reducers ★

HP	Output RPM	Reducer Selection		HP	Output RPM	Reducer Selection		
		Single	Double			Single	Double	
30 (Continued)	13-19		TXT1024A	60	5-9		TDT1530	
	20-27		TXT926A TXT915A		10-14		TDT1425	
	28-41		TXT825A TXT815A		15-18		TDT1325	
	42-60		TXT725A TXT715A		19-26		TXT1225	
	61-76		TXT625A TXT615A		27-39		TXT1024A TXT1015A	
	77-89		TXT615A TXT609A		40-56		TXT926A TXT915A	
	90-125	TXT605	TXT615A+ TXT609A+		57-70		TXT825A TXT815A	
	126-200	TXT605	TXT509C+		71-75		TXT815A TXT825A	
	201-233	TXT605			76-89		TXT815A	
	234-349	TXT505A+			90-120	TXT705	TXT715A+ TXT709A+	
350-400	TXT405A+		121-200	TXT705	TXT709A+			
40	4-6		TDT1530	201-285	TXT705			
	7-9		TDT1425	286-400	TXT605+			
	10-11		TDT1325	75	7-12		TDT1530	
	12-17		TXT1225		13-18		TDT1425	
	18-25		TXT1024A		19-24		TDT1325	
	26-36		TXT926A TXT915A		25-33		TXT1225 TXT1215	
	37-56		TXT825A TXT815A		34-49		TXT1024A TXT1015A	
	57-75		TXT725A TXT715A		50-73		TXT926A TXT915A	
	76-88		TXT715A		74-75		TXT815A TXT825A	
	89-114		TXT615A+ TXT609A+		76-120	TXT805	TXT815A+	
	115-120		TXT615A+ TXT609A+		121-133	TXT805	TXT709A+	
	121-200	TXT605	TXT609A+		134-200	TXT705	TXT709A+	
	201-347	TXT605+			201-400	TXT705		
	348-400	TXT505A+			100	8-16		TDT1530
50	5-8		TDT1530			17-25		TDT1425
	9-12		TDT1425			26-33		TDT1325
	13-14		TDT1325	34-45			TXT1225 TXT1215	
	15-21		TXT1225	46-67			TXT1024A TXT1015A	
	22-32		TXT1024A TXT1015A	68-75			TXT915A+ TXT926A+	
	33-46		TXT926A TXT915A	76-103			TXT915A+	
	47-70		TXT825A TXT815A	104-120		TXT905	TXT815A+	
	71-72		TXT815A TXT825A	121-149		TXT905		
	73-95		TXT715A+	150-180		TXT805		
	96-110	TXT705	TXT709A TXT715A+	181-200		TXT805	TXT709A	
	111-120	TXT705	TXT709A+ TXT715A+	201-204		TXT805		
	121-179	TXT705	TXT709A+	205-246		TXT705		
	180-200	TXT605+	TXT609A+	247-400		TXT705+		
	201-400	TXT605+						

+ Fan cooling required - see page G2-81

* Heat exchange required - see page G2-81

★ See page G2-173 for lubrication for 15 RPM and slower

FEATURES/BENEFITS PAGE G2-2	SPECIFICATION PAGE G2-9	MODIFICATION/ACCESSORIES PAGE G2-71	RELATED PRODUCTS PAGE G2-152
--------------------------------	----------------------------	--	---------------------------------



EASY SELECTIONS

TORQUE-ARM Shaft Mount Speed Reducers

Table 3 - Class II Selection Table TXT Reducers ★

HP	Output RPM	Reducer Selection	
		Single	Double
125	11-20		TDT1530
	21-31		TDT1425
	32-43		TDT1325
	44-58		TXT1225 TXT1215
	59-75		TXT1024A TXT1015A
	76-85		TXT1015A
	86-120		TXT915A+
	145-209	TXT905	
	210-303	TXT805+	
	304-400	TXT705+	
150	13-25		TDT1530
	26-38		TDT1425
	39-54		TDT1325
	55-72		TXT1225+ TXT1215+
	73-75		TXT1015A+ TXT1024A+
	76-120		TXT1015A+
	184-279	TXT905+	
	280-400	TXT805+	

HP	Output RPM	Reducer Selection	
		Single	Double
200	18-33		TDT1530
	34-53		TDT1425+
	54-75		TDT1325+
	77-120		TXT1215*
250	23-42		TDT1530
	43-46		TDT1425+
	47-69		TDT1425*
	70-75		TDT1325+
300	28-53		TDT1530
	54-75		TDT1425*
350	33-57		TDT1530
	66-75		TDT1425*
400	38-57		TDT1530+
450	43-57		TDT1530+
500	50-57		TDT1530+

★ See page G2-173 for lubrication for 15 RPM and slower

+ Fan cooling required - see page G2-81.

* Heat exchanger required - see page G2-81.

FEATURES/BENEFITS PAGE G2-2	SPECIFICATION PAGE G2-9	MODIFICATION/ACCESSORIES PAGE G2-71	RELATED PRODUCTS PAGE G2-152
--------------------------------	----------------------------	--	---------------------------------

EASY SELECTIONS



TORQUE-ARM Shaft Mount Speed Reducers

Table 4 - Class Ili Selection Table TXT Reducers ★

HP	Output RPM	Reducer Selection		HP	Output RPM	Reducer Selection	
		Single	Double			Single	Double
1/4	4-6		TXT225A	1 (Continued)	71-85		TXT115A TXT125A
	7-70		TXT125A TXT115A		86-115		TXT115A TXT109A
	71-85		TXT115A TXT125A		116-140	TXT105	TXT109A TXT115A
	86-89		TXT115A TXT109A		141-200	TXT105	TXT109A
	90-115		TXT115A TXT109A		201-400	TXT105	
	116-140	TXT105	TXT109A TXT115A	1-1/2	4-5		TXT625A
	141-200	TXT105	TXT109A		6-10		TXT525C
	201-400	TXT105			11-15		TXT425B
1/3	5-9		TXT225A		16-26		TXT325B
	10-70		TXT125A TXT115A		27-51		TXT225A TXT215A
	71-85		TXT115A TXT125A		52-70		TXT125A TXT115A
	86-115		TXT115A TXT109A		71-85		TXT115A TXT125A
	116-140	TXT105	TXT109A TXT115A		86-115		TXT115A TXT109A
	141-200	TXT105	TXT109A		116-140	TXT105	TXT109A TXT115A
	201-400	TXT105			141-200	TXT105	TXT109A
1/2	4-5		TXT425B	201-400	TXT105		
	6-7		TXT325B	2	5-7		TXT625A
	8-15		TXT225A		8-13		TXT525C
	16-70		TXT125A TXT115A		14-21		TXT425B
	71-85		TXT115A TXT125A		22-36		TXT325B TXT315B
	86-115		TXT115A TXT109A		37-71		TXT225A TXT215A
	116-140	TXT105	TXT109A TXT115A		72-85		TXT115A TXT125A
	141-200	TXT105	TXT109A		86-115		TXT115A TXT109A
	201-400	TXT105			116-140	TXT105	TXT109A TXT115A
3/4	4		TXT525C		141-200	TXT105	TXT109A
	5-7		TXT425B		201-400	TXT105	
	8-12		TXT325B	3	4-5		TXT825A
	13-23		TXT225A		6-7		TXT725A
	24-70		TXT125A TXT115A		8-12		TXT625A
	71-85		TXT115A TXT125A		13-20		TXT525C
	86-115		TXT115A TXT109A		21-32		TXT425B TXT415B
	116-140	TXT105	TXT109A TXT115A		33-57		TXT325B TXT315B
	141-200	TXT105	TXT109A		58-70		TXT225A TXT215A
	201-400	TXT105			71-85		TXT215A TXT225A
1	4-6		TXT525C		86-89		TXT215A TXT209A
	7-10		TXT425B		90-113	TXT205	TXT215A TXT209A
	11-17		TXT325B	114-140	TXT205	TXT109A TXT115A	
	18-32		TXT225A	141-155	TXT205	TXT109A	
	33-70		TXT125A TXT115A	156-200	TXT105	TXT109A	
				201-400	TXT105		

★ See page G2-173 for lubrication for 15 RPM and slower

FEATURES/BENEFITS PAGE G2-2	SPECIFICATION PAGE G2-9	MODIFICATION/ACCESSORIES PAGE G2-71	RELATED PRODUCTS PAGE G2-152
--------------------------------	----------------------------	--	---------------------------------



EASY SELECTIONS

TORQUE-ARM Shaft Mount Speed Reducers

Table 4 - Class Ili Selection Table TXT Reducers ★

HP	Output RPM	Reducer Selection		HP	Output RPM	Reducer Selection		
		Single	Double			Single	Double	
5	5		TXT926A	15	201-241	TXT405A		
	6-8		TXT825A		(Continued)	242-400	TXT305A	
	9-12		TXT725A			4-5		TDT1425
	13-20		TXT625A			6-9		TXT1225
	21-36		TXT525C TXT515C			10-13		TXT1024A
	37-56		TXT425B TXT415B			14-19		TXT926A
	57-70		TXT325B TXT315B			20-28		TXT825A TXT815A
	71-85		TXT315B TXT325B			29-41		TXT725A TXT715A
	86-103		TXT315B TXT309B			42-70		TXT625A TXT615A
	104-114	TXT305A	TXT215A TXT309B			71-75		TXT615A TXT625A
	115-140	TXT305A	TXT209A TXT215A			76-93		TXT515C
	141-167	TXT305A	TXT209A			94-115		TXT515C TXT509C
	168-200	TXT205	TXT209A			116-125	TXT605	TXT509C TXT515C
7-1/2	5-6		TXT1024A		126-131	TXT605	TXT509C	
	7-8		TXT926A		132-200	TXT505A	TXT409B	
	9-13		TXT825A		201-215	TXT505A		
	14-19		TXT725A		216-400	TXT405A		
	20-32		TXT625A TXT615A		5-6		TDT1425	
	33-56		TXT525C TXT515C		7		TDT1325	
	57-70		TXT425B TXT415B		8-12		TXT1225	
	71-85		TXT415B TXT425B		13-18		TXT1024A	
	86-93		TXT415B TXT409B		19-25		TXT926A TXT915A	
	94-140	TXT405A	TXT309B TXT315B		26-38		TXT825A TXT815A	
	141-144	TXT405A	TXT309B		39-57		TXT725A TXT715A	
10	145-200	TXT305A	TXT309B	20	58-70		TXT625A TXT615A	
	201-400	TXT305A			71-114		TXT615A TXT609A	
	4-6		TXT1225		115-125	TXT605	TXT509C+ TXT515C+	
	7-8		TXT1024A		126-200	TXT605	TXT509C+	
	9-12		TXT926A		201-218	TXT605		
	13-18		TXT825A		219-324	TXT505A		
	19-26		TXT725A TXT715A		325-400	TXT405A+		
	27-45		TXT625A TXT615A		4-5		TDT1530	
	46-70		TXT525C TXT515C		6-8		TDT1425	
	71-78		TXT515C TXT525C		9		TDT1325	
	79-92		TXT415B		10-15		TXT1225	
	93-105		TXT415B TXT409B		16-22		TXT1024A	
	106-141	TXT405A	TXT409B TXT415B		23-32		TXT926A TXT915A	
142-200	TXT405A	TXT309B	33-49		TXT825A TXT815A			
			50-70		TXT725A TXT715A			

★ See page G2-173 for lubrication for 15 RPM and slower

+ Fan cooling required - see page G2-81

FEATURES/BENEFITS PAGE G2-2	SPECIFICATION PAGE G2-9	MODIFICATION/ACCESSORIES PAGE G2-71	RELATED PRODUCTS PAGE G2-152
--------------------------------	----------------------------	--	---------------------------------

EASY SELECTIONS



TORQUE-ARM Shaft Mount Speed Reducers

Table 4 - Class Ili Selection Table TXT Reducers ★

HP	Output RPM	Reducer Selection		HP	Output RPM	Reducer Selection		
		Single	Double			Single	Double	
25 (Continued)	71-74		TXT715A TXT725A	50 (Continued)	47-69		TXT926A TXT915A	
	75-104		TXT615A TXT609A		70-75		TXT815A TXT825A	
	105-113		TXT615A+ TXT609A		76-110		TXT815A	
	114-125	TXT605	TXT615A+ TXT609A+		111-120		TXT715A+ TXT709A+	
	126-200	TXT605	TXT609A+		121-123	TXT805	TXT709A+	
	201-294	TXT605			124-200	TXT705	TXT709A+	
	295-400	TXT505A+			201-400	TXT705		
30	4-6		TDT1530	60	7-14		TDT1530	
	7-10		TDT1425		15-21		TDT1425	
	11-12		TDT1325		22-28		TDT1325	
	13-18		TXT1225		29-38		TXT1225 TXT1215	
	19-27		TXT1024A TXT1015A		39-56		TXT1024A TXT1015A	
	28-39		TXT926A TXT915A		57-75		TXT926A TXT915A	
	40-60		TXT825A TXT815A		76-85		TXT915A	
	61-70		TXT725A TXT715A		86-115		TXT815A	
	71-98		TXT715A		116-141	TXT805		
	99-125		TXT615A+ TXT609A+		142-161	TXT805	TXT709A+	
	126-131	TXT705	TXT609A+		162-200	TXT705	TXT709A+	
	132-200	TXT605	TXT609A+		201-400	TXT705		
	201-381	TXT605			75	9-17		TDT1530
	382-400	TXT505A+				18-26		TDT1425
40	5-9		TDT1530	27-36			TDT1325	
	10-14		TDT1425	37-49			TXT1225 TXT1215	
	15-17		TDT1325	50-72			TXT1024A TXT1015A	
	18-25		TXT1225	73-75			TXT915A+ TXT926A+	
	26-37		TXT1024A TXT1015A	76-120			TXT915A+	
	38-53		TXT926A TXT915A	121-165		TXT905		
	54-70		TXT825A TXT815A	166-234		TXT805		
	71-84		TXT815A	235-400		TXT705		
	85-89		TXT715A TXT709A	100		12-23		TDT1530
	90-120	TXT705	TXT715A+ TXT709A			24-36		TDT1425
	121-200	TXT705	TXT709A+			37-51		TDT1325
	201-249	TXT705				52-68		TXT1225+ TXT1215+
	250-400	TXT605+			69-120		TXT1015A	
	50	6-11			TDT1530	175-259	TXT905	
12-17			TDT1425		260-387	TXT805+		
18-22			TDT1325		388-400	TXT705+		
23-31			TXT1225 TXT1215		125	16-30		TDT1530
32-46			TXT1024A TXT1015A			31-43		TDT1425

★ See page G2-173 for lubrication for 15 RPM and slower

+ Fan cooling required - see page G2-81

FEATURES/BENEFITS PAGE G2-2	SPECIFICATION PAGE G2-9	MODIFICATION/ACCESSORIES PAGE G2-71	RELATED PRODUCTS PAGE G2-152
--------------------------------	----------------------------	--	---------------------------------



EASY SELECTIONS

TORQUE-ARM Shaft Mount Speed Reducers

Table 4 - Class III Selection Table TXT Reducers ★

HP	Output RPM	Reducer Selection	
		Single	Double
125 (Continued)	44-46		TDT1425+
	47-67		TDT1325
	68-70		TXT1225+ TXT1215+
	71-75		TXT1215+ TXT1225+
	76-90		TXT1215+
	91-120		TXT1015A+
150	19-36		TDT1530
	37-41		TDT1425
	42-58		TDT1425+
	59-75		TDT1325+
	83-110		TXT1215*

HP	Output RPM	Reducer Selection	
		Single	Double
200	27-50		TDT1530
	51-75		TDT1425*
250	34-57		TDT1530
	66-75		TDT1425*
300	41-57		TDT1530
350	50-57		TDT1530

+ Fan cooling required - see page G2-81.

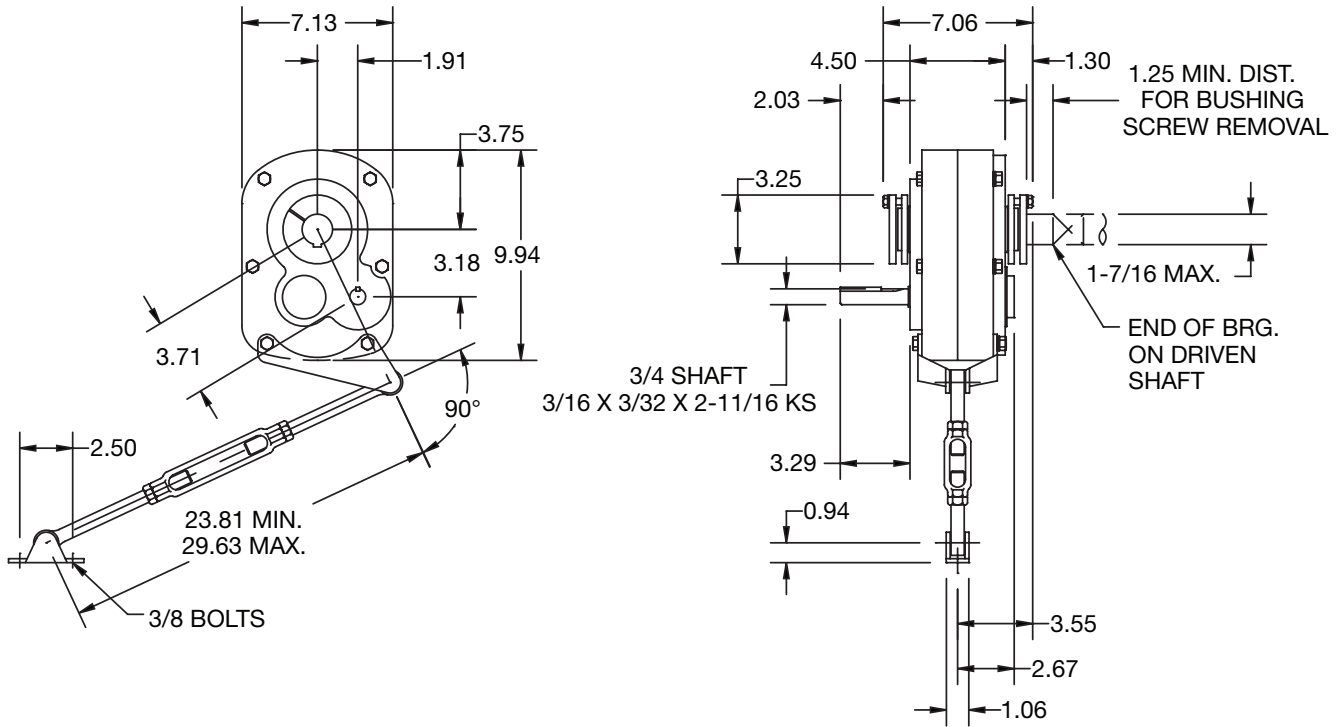
★ See page G2-173 for lubrication for 15 RPM and slower

* Heat exchanger required - see page G2-81.

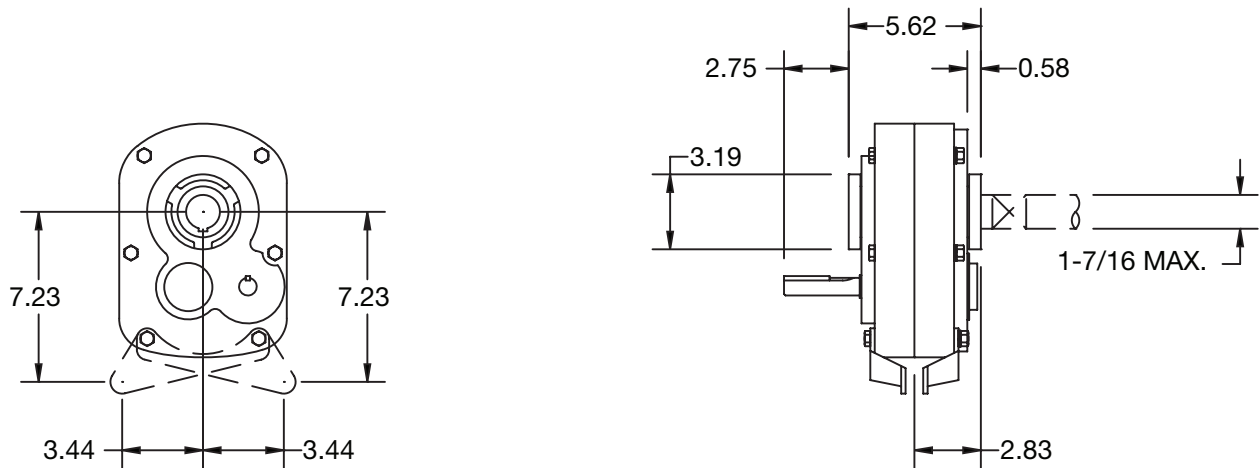


SELECTION/DIMENSIONS

TORQUE-ARM Shaft Mount Speed Reducers TXT1A - Double Reduction Taper Bushed



TXT1A - Double Reduction Straight Bore





SELECTION/DIMENSIONS

TORQUE-ARM Shaft Mount Speed Reducers

TXT1A Taper Bushed Reducers ■ ○

Reducer Size	Part Number	AGMA Code	Actual Ratio	Weight
TXT109AT	241092	107D09	9.44	45
TXT115AT	241065	107D15	15.35	45
TXT125AT	241066	107D25	25.64	45

TXT1A Straight Bore Reducers ■ ○

Reducer Size	Part Number	AGMA Code	Actual Ratio	Weight
TXT109AS	241327 ♣	107D09	9.44	45
TXT115AS	241073	107D15	15.35	45
TXT125AS	241074	107D25	25.64	45

Accessories for TXT1A Reducers

Description	Part Number	Weight
TA1M Standard Motor Mount (56T-215T)	241391	37.3
TAB1 Bottom Motor Mount (56T-215T) ♣ ♠	241421	34
TXT1 Backstop Assembly	242101	.8
Optional Filter Breather (3/8-18 NPT)	430048	.2
TXT1D TA Reducer Belt Guard (56T-215T)	241395	30
TXT1 Taconite Auxiliary Seal Kit ♥	272515	4.40
TXT1 Lube Kit	LUBEKITTXT1	4.6

TXT1 Bushing Assemblies ●

Stock Bore Size	Part Number		Shaft Keyseat Required †		Weight	
	Tapered Bushing	Straight Bore Bushing	Tapered Bushing	Straight Bore Bushing	Tapered Bushing	Straight Bore Bushing
1-7/16 (Max.)	241292	◆	3/8 x 3/16 x 6-7/16	3/8 x 3/16 x 2	2.0	
1-3/8	241294	-	5/16 x 5/32 x 6-7/16	-	1.8	-
1-5/16 ▲	241290	241347	5/16 x 5/32 x 6-7/16	5/16 x 5/32 x 2	1.8	0.4
1-1/4 ▲	241288	241346	1/4 x 1/8 x 6-7/16	1/4 x 1/8 x 2	2.0	0.6
1-3/16 ▲	241286	241345	1/4 x 1/8 x 6-7/16	1/4 x 1/8 x 2	2.2	0.6
1-1/8 ▲	241282	241344	1/4 x 1/8 x 6-7/16	1/4 x 1/8 x 1-3/4	2.2	0.6
1 ▲	241278	241342	1/4 x 1/8 x 6-7/16	1/4 x 1/8 x 1-3/4	2.5	1.0

♣ Made to order

† Shaft key furnished.

▲ Check the driven shaft and key for strength.

◆ Preferred bore. No bushing required for this bore size.

○ Stock TXT1 Reducers are drilled for vertical mounting.

♠ DODGE standard belt guards will not fit this motor mount.

■ See pages G2-174 and G2-175 for reducer part numbers and drill and tap dimensions for Flange Mount TXT Reducers. Now available only as special factory order.

● Taper Bushed Reducers require bushing for all bore sizes.

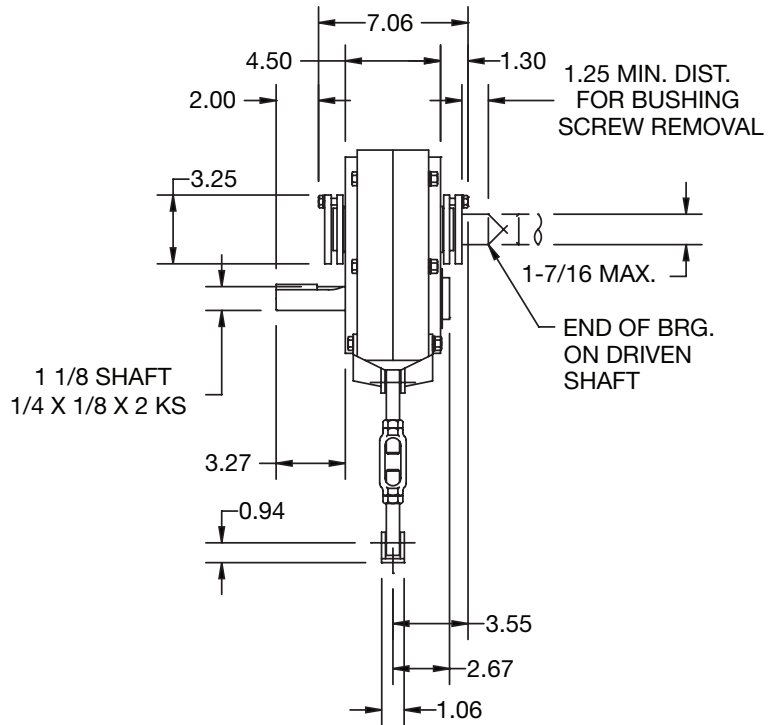
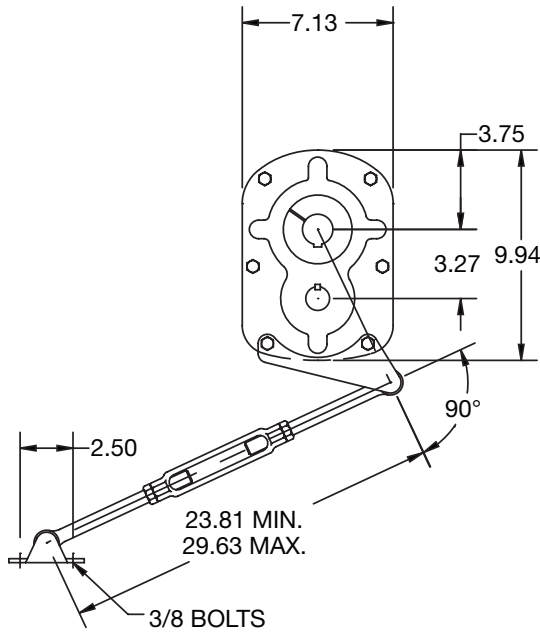
♥ Use with Taper Bushed Reducer only. See page G2-177 for drill and tap information required to mount to reducer.

FEATURES/BENEFITS PAGE G2-2	SPECIFICATION PAGE G2-9	MODIFICATION/ACCESSORIES PAGE G2-71	RELATED PRODUCTS PAGE G2-152
--------------------------------	----------------------------	--	---------------------------------

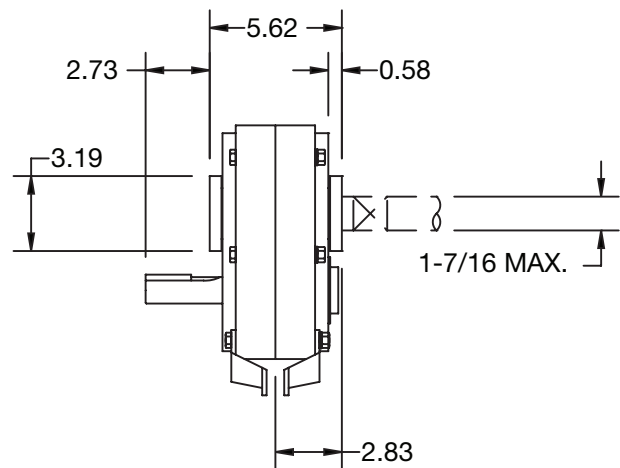
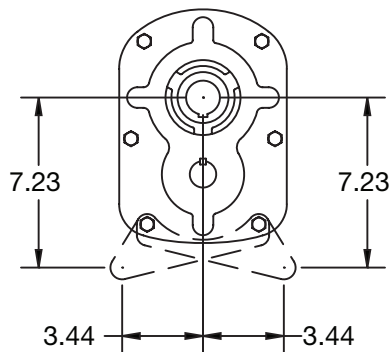


SELECTION/DIMENSIONS

TORQUE-ARM Shaft Mount Speed Reducers TXT105 - Single Reduction Taper Bushed



TXT105 - Single Reduction Straight Bore



Gearing Reference Guide

TORQUE-ARM II

TORQUE-ARM

MAXUM

TIGEAR-2

FEATURES/BENEFITS PAGE G2-2	SPECIFICATION PAGE G2-9	MODIFICATION/ACCESSORIES PAGE G2-71	RELATED PRODUCTS PAGE G2-152
--------------------------------	----------------------------	--	---------------------------------



SELECTION/DIMENSIONS

TORQUE-ARM Shaft Mount Speed Reducers

TXT105 Taper Bushed Reducers ■ ○

Reducer Size	Part Number	AGMA Code	Actual Ratio	Weight
TXT105T	241083	107S05	5.62	40

TXT105 Straight Bore Reducers ■ ○

Reducer Size	Part Number	AGMA Code	Actual Ratio	Weight
TXT105S	241087	107S05	5.62	40

Accessories for TXT105 Reducers

Description	Part Number	Weight
TA1M Standard Motor Mount (56T-215T)	241391	37.3
TAB1 Bottom Motor Mount (56T-215T) ♠ ♣	241421	34
TXT105 Backstop Assembly	242101	.8
Optional Filter Breather (3/8-18 NPT)	430048	.2
TXT1S TA Reducer Belt Guard (56T-215T)	241397	30
TXT105 Taconite Auxiliary Seal Kit ♥	272521	5
TXT105 Lube Kit	LUBEKITTXT105	4.5

TXT1 Bushing Assemblies ○

Stock Bore Size	Part Number		Shaft Keyseat Required †		Weight	
	Tapered Bushing	Straight Bore Bushing	Tapered Bushing	Straight Bore Bushing	Tapered Bushing	Straight Bore Bushing
1-7/16 (Max.)	241292	◆	3/8 x 3/16 x 6-7/16	3/8 x 3/16 x 2	2.0	-
1-3/8	241294	-	5/16 x 5/32 x 6-7/16	-	1.8	-
1-5/16 ▲	241290	241347	5/16 x 5/32 x 6-7/16	5/16 x 5/32 x 2	1.8	0.4
1-1/4 ▲	241288	241346	1/4 x 1/8 x 6-7/16	1/4 x 1/8 x 2	2.0	0.6
1-3/16 ▲	241286	241345	1/4 x 1/8 x 6-7/16	1/4 x 1/8 x 2	2.2	0.6
1-1/8 ▲	241282	241344	1/4 x 1/8 x 6-7/16	1/4 x 1/8 x 1-3/4	2.2	0.6
1 ▲	241278	241342	1/4 x 1/8 x 6-7/16	1/4 x 1/8 x 1-3/4	2.5	1.0

♣ Made to order

† Shaft key furnished.

▲ Check the driven shaft and key for strength.

◆ Preferred bore. No bushing required for this bore size.

○ Stock TXT1 Reducers are drilled for vertical mounting.

♠ DODGE standard belt guards will not fit this motor mount.

■ See pages G2-174 and G2-175 for reducer part numbers and drill and tap dimensions for Flange Mount TXT Reducers. Now available only as special factory order.

● Taper Bushed Reducers require bushing for all bore sizes.

♥ Use with Taper Bushed Reducer only. See page G2-177 for drill and tap information required to mount to reducer.

FEATURES/BENEFITS PAGE G2-2	SPECIFICATION PAGE G2-9	MODIFICATION/ACCESSORIES PAGE G2-71	RELATED PRODUCTS PAGE G2-152
--------------------------------	----------------------------	--	---------------------------------



SELECTION/DIMENSIONS

TORQUE-ARM Shaft Mount Speed Reducers

TXT2A Taper Bushed Reducers ■ ○

Reducer Size	Part Number	AGMA Code	Actual Ratio	Weight
TXT209AT	242079	115D09	9.25	58
TXT215AT	242082	115D15	14.10	58
TXT225AT	242083	115D25	23.46	58

TXT2A Straight Bore Reducers ■ ○

Reducer Size	Part Number	AGMA Code	Actual Ratio	Weight
TXT209AS	242327 ♣	115D09	9.25	58
TXT215AS	242090	115D15	14.10	58
TXT225AS	242091	115D25	23.46	58

Accessories for TXT2A Reducers

Description	Part Number	Weight
TA1M Standard Motor Mount (56T-215T)	241391	37.3
TAB2 Bottom Motor Mount (56T-215T) ♠ ♣	242421	34
TXT2 Backstop Assembly	252101	1
Optional Filter Breather (3/8-18 NPT)	430048	.2
TXT2D TA Reducer Belt Guard (56T-215T)	242395	36
TXT2 Taconite Auxiliary Seal Kit ♥	272446	5.5
TXT2 Lube Kit	LUBEKITXT2	4.6

TXT2 Bushing Assemblies ●

Stock Bore Size	Part Number		Shaft Keyseat Required †		Weight	
	Tapered Bushing	Straight Bore Bushing	Tapered Bushing	Straight Bore Bushing	Tapered Bushing	Straight Bore Bushing
1-15/16 (Max.)	242168	◆	1/2 x 1/4 x 6-11/16	1/2 x 1/4 x 2-1/2	2.9	-
1-3/4	242166	242351	3/8 x 3/16 x 6-11/16	3/8 x 3/16 x 2-7/8	3.3	0.8
1-11/16	242164	242350	3/8 x 3/16 x 6-11/16	3/8 x 3/16 x 2-7/8	3.4	1.1
1-5/8 ▲	242162	242349	3/8 x 3/16 x 6-11/16	3/8 x 3/16 x 2-7/8	3.2	1.2
1-1/2 ▲	242158	242348	3/8 x 3/16 x 6-11/16	3/8 x 3/16 x 2-1/2	3.8	1.5
1-7/16 ▲	242156	242347	3/8 x 3/16 x 6-11/16	3/8 x 3/16 x 2-1/2	4.0	1.7
1-3/8 ▲	242154	242346	5/16 x 5/32 x 6-11/16	5/16 x 5/32 x 2	3.6	1.8
1-5/16 ▲	242152	242345	5/16 x 5/32 x 6-11/16	5/16 x 5/32 x 2	3.6	1.8
1-1/4 ▲	242150	242344	1/4 x 1/8 x 6-11/16	1/4 x 1/8 x 2	3.6	2.1
1-3/16 ▲	242148	242343	1/4 x 1/8 x 6-11/16	1/4 x 1/8 x 2	3.6	2.2
1-1/8 ▲	242146	-	1/4 x 1/8 x 6-11/16	-	3.8	-

- ♠ DODGE standard belt guard will not fit this motor mount
- † Shaft key furnished.
- ▲ Check the driven shaft and key for strength.
- ◆ Preferred bore. No bushing required for this bore size.
- Stock TXT2 Reducers are drilled for vertical mounting.
- ♣ Made to order

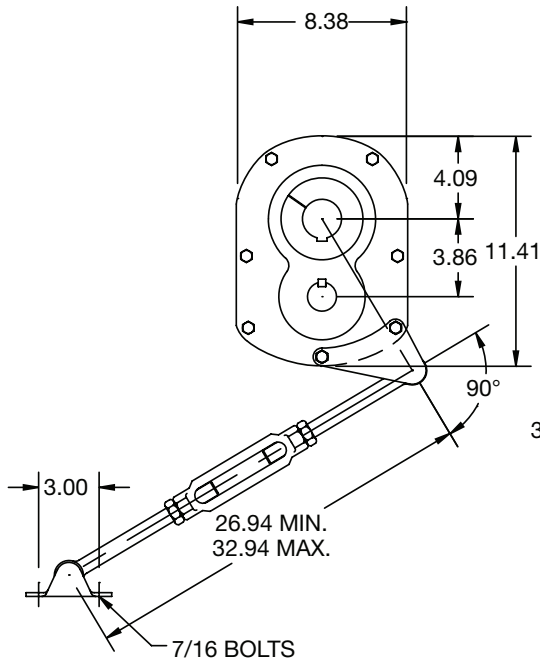
- See pages G2-174 and G2-175 for reducer part numbers and drill and tap dimensions for Flange Mount TXT Reducers. Now available only as special factory order.
- Taper Bushed Reducers require bushing for all bore sizes.
- ♥ Use with Taper Bushed Reducer only. See page G2-177 for drill and tap information required to mount to reducer.

FEATURES/BENEFITS PAGE G2-2	SPECIFICATION PAGE G2-9	MODIFICATION/ACCESSORIES PAGE G2-71	RELATED PRODUCTS PAGE G2-152
--------------------------------	----------------------------	--	---------------------------------

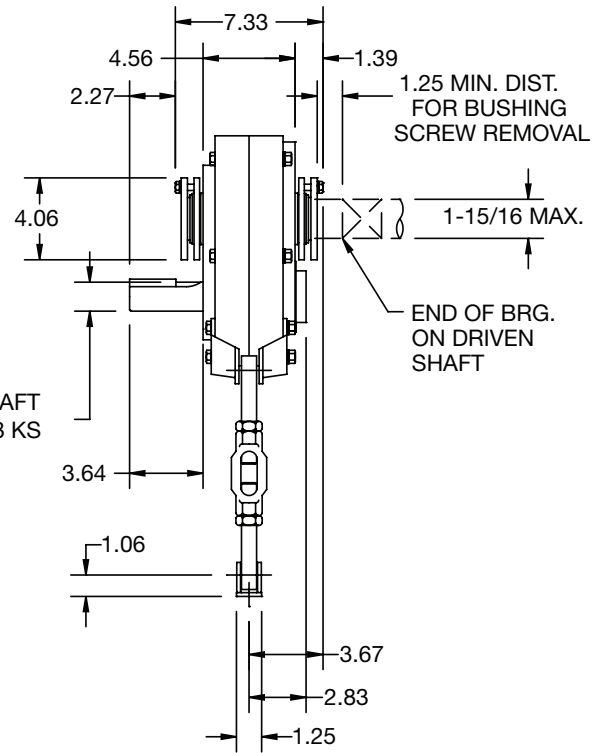


SELECTION/DIMENSIONS

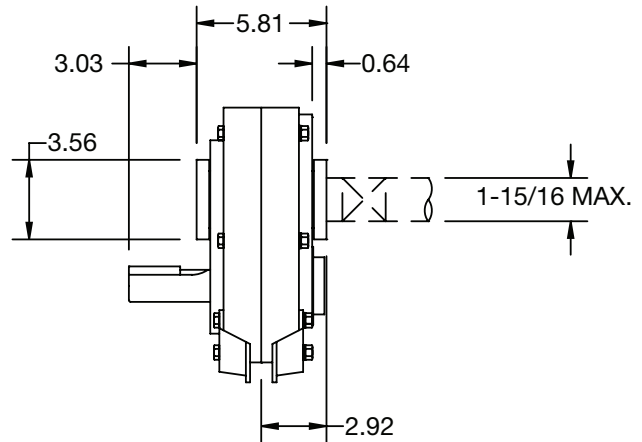
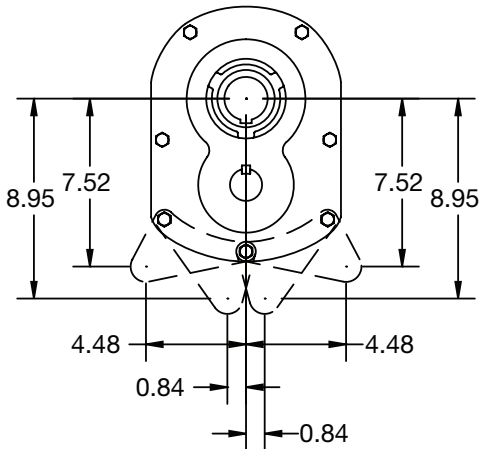
TORQUE-ARM Shaft Mount Speed Reducers TXT205 - Single Reduction Taper Bushed



1 7/16 SHAFT
3/8 X 3/16 X 2-3/8 KS



TXT205 - Single Reduction Straight Bore



Gearing Reference Guide

TORQUE-ARM II

TORQUE-ARM

MAXUM

TIGEAR-2

FEATURES/BENEFITS PAGE G2-2	SPECIFICATION PAGE G2-9	MODIFICATION/ACCESSORIES PAGE G2-71	RELATED PRODUCTS PAGE G2-152
--------------------------------	----------------------------	--	---------------------------------



SELECTION/DIMENSIONS

TORQUE-ARM Shaft Mount Speed Reducers

TXT205 Taper Bushed Reducers ■ ○

Reducer Size	Part Number	AGMA Code	Actual Ratio	Weight
TXT205T	242249	115S05	5.29	52

TXT205 Straight Bore Reducers ■ ○

Reducer Size	Part Number	AGMA Code	Actual Ratio	Weight
TXT205S	242253	115S05	5.29	52

Accessories for TXT205 Reducers

Description	Part Number	Weight
TA1M Standard Motor Mount (56T-215T)	241391	37.3
TAB2 Bottom Motor Mount (56T-215T) ♠ ♣	242421	34
TXT205 Backstop Assembly	252101	1
Optional Filter Breather (3/8-18 NPT)	430048	0.2
TXT2S TA Reducer Belt Guard (56T-215T)	242397	36
TXT205 Taconite Auxiliary Seal Kit ♥	272459	5.8
TXT205 Lube Kit	LUBEKITXT205	6.9

TXT2 Bushing Assemblies ●

Stock Bore Size	Part Number		Shaft Keyseat Required †		Weight	
	Tapered Bushing	Straight Bore Bushing	Tapered Bushing	Straight Bore Bushing	Tapered Bushing	Straight Bore Bushing
1-15/16 (Max.)	242168	◆	1/2 x 1/4 x 6-11/16	1/2 x 1/4 x 2-1/2	2.9	-
1-3/4	242166	242351	3/8 x 3/16 x 6-11/16	3/8 x 3/16 x 2-7/8	3.3	0.8
1-11/16	242164	242350	3/8 x 3/16 x 6-11/16	3/8 x 3/16 x 2-7/8	3.4	1.1
1-5/8 ▲	242162	242349	3/8 x 3/16 x 6-11/16	3/8 x 3/16 x 2-7/8	3.2	1.2
1-1/2 ▲	242158	242348	3/8 x 3/16 x 6-11/16	3/8 x 3/16 x 2-1/2	3.8	1.5
1-7/16 ▲	242156	242347	3/8 x 3/16 x 6-11/16	3/8 x 3/16 x 2-1/2	4.0	1.7
1-3/8 ▲	242154	242346	5/16 x 5/32 x 6-11/16	5/16 x 5/32 x 2	3.6	1.8
1-5/16 ▲	242152	242345	5/16 x 5/32 x 6-11/16	5/16 x 5/32 x 2	3.6	1.8
1-1/4 ▲	242150	242344	1/4 x 1/8 x 6-11/16	1/4 x 1/8 x 2	3.6	2.1
1-3/16 ▲	242148	242343	1/4 x 1/8 x 6-11/16	1/4 x 1/8 x 2	3.6	2.2
1-1/8 ▲	242146	-	1/4 x 1/8 x 6-11/16	-	3.8	-

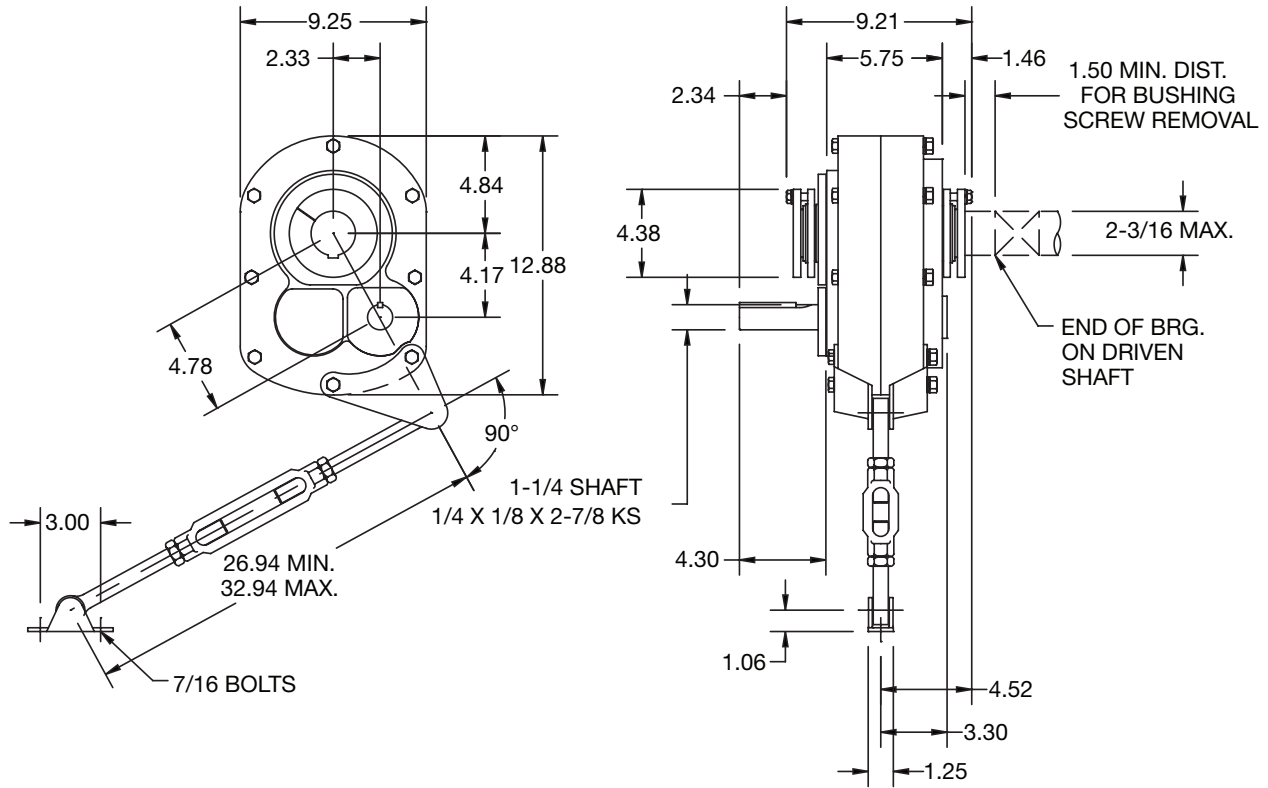
- ♠ DODGE standard belt guard will not fit this motor mount
- † Shaft key furnished.
- ▲ Check the driven shaft and key for strength.
- ◆ Preferred bore. No bushing required for this bore size.
- Stock TXT2 Reducers are drilled for vertical mounting.
- ♣ Made to order

- See pages G2-174 and G2-175 for reducer part numbers and drill and tap dimensions for Flange Mount TXT Reducers. Now available only as special factory order.
- Taper Bushed Reducers require bushing for all bore sizes.
- ♥ Use with Taper Bushed Reducer only. See page G2-177 for drill and tap information required to mount to reducer.

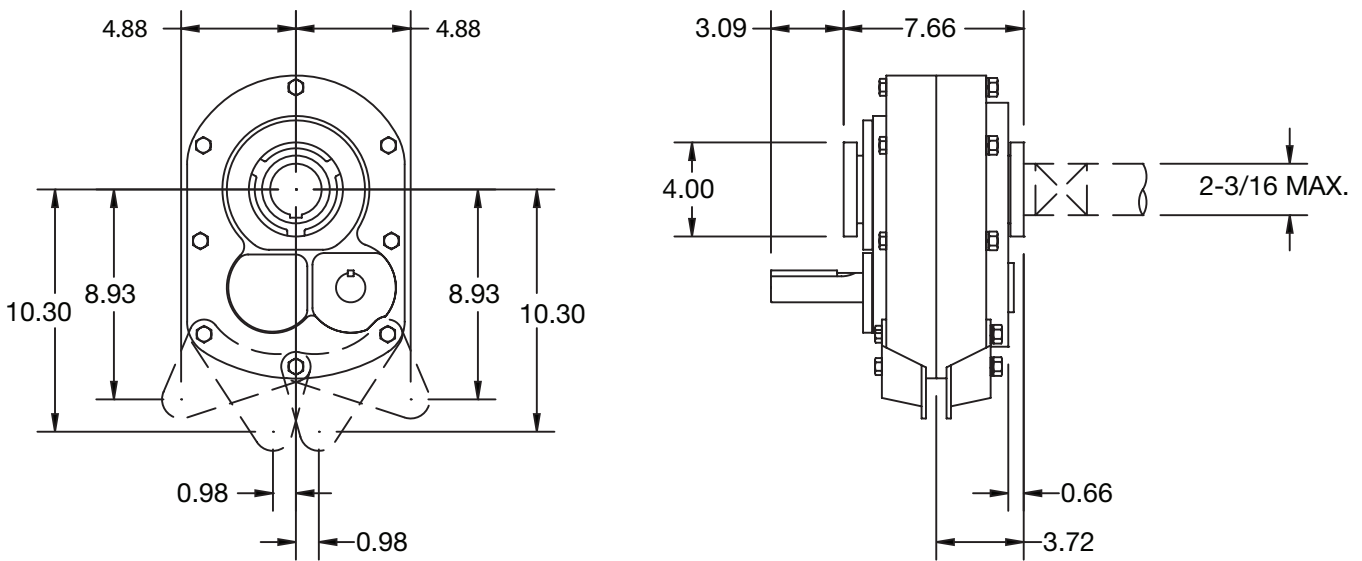


SELECTION/DIMENSIONS

TORQUE-ARM Shaft Mount Speed Reducers TXT3B - Double Reduction Taper Bushed



TXT3B - Double Reduction Straight Bore



FEATURES/BENEFITS PAGE G2-2	SPECIFICATION PAGE G2-9	MODIFICATION/ACCESSORIES PAGE G2-71	RELATED PRODUCTS PAGE G2-152
--------------------------------	----------------------------	--	---------------------------------



SELECTION/DIMENSIONS

TORQUE-ARM Shaft Mount Speed Reducers

TXT3B Taper Bushed Reducers ■ ○

Reducer Size	Part Number	AGMA Code	Actual Ratio	Weight
TXT309BT	243500	203D09	8.91	98
TXT315BT	243501	203D15	14.88	98
TXT325BT	243502	203D25	24.71	98

TXT3B Straight Bore Reducers ■ ○

Reducer Size	Part Number	AGMA Code	Actual Ratio	Weight
TXT309BS	243512 ♣	203D09	8.91	98
TXT315BS	243513	203D15	14.88	98
TXT325BS	243514	203D25	24.71	98

Accessories for TXT3B Reducers

Description	Part Number	Weight
TA3M Standard Motor Mount (56T-215T)	243391	38
TA3M Special Motor Mount (254T-256T) ♠ ♣	243393	45
TA3ML Long Motor Mount (143T-215T) ♣	243392	42
TAB3 Bottom Motor Mount (143T-286T) ♠ ♣	243404	54
TXT3A Backstop Assembly	243106	.6
Optional Filter Breather (3/8-18 NPT)	430048	.2
TXT3D TA Reducer Belt Guard (56T-215T)	243387	43
TXT3D TA Reducer Belt Guard for Long Motor Mount (56T-215T) ♣	243153	52
TXT3A Cooling Fan Assembly	243581	3
TXT3A Taconite Auxiliary Seal Kit ♥	243577	7.3
TXT3 Lube Kit	LUBEKITXT3	6.9

TXT3 Bushing Assemblies ●

Stock Bore Size	Part Number		Shaft Keyseat Required †		Weight	
	Tapered Bushing	Straight Bore Bushing	Tapered Bushing	Straight Bore Bushing	Tapered Bushing	Straight Bore Bushing
2-3/16 (Max.)	243276	◆	1/2 x 1/4 x 8-1/16	1/2 x 1/4 x 3-5/8	3.7	-
2	243274	243429	1/2 x 1/4 x 8-1/16	1/2 x 1/4 x 3-5/8	4.1	1.0
1-15/16	243272	243428	1/2 x 1/4 x 8-1/16	1/2 x 1/4 x 3-5/8	4.4	1.2
1-7/8 ▲	243270	243427 ♣	1/2 x 1/4 x 8-1/16	1/2 x 1/4 x 3-5/8	4.3	1.9
1-3/4 ▲	243266	243426	3/8 x 3/16 x 8-1/16	3/8 x 3/16 x 3-1/4	4.8	1.9
1-11/16 ▲	243268	243425	3/8 x 3/16 x 8-1/16	3/8 x 3/16 x 3-1/4	4.8	2.2
1-5/8 ▲	243264 ♣	243424	3/8 x 3/16 x 8-1/16	3/8 x 3/16 x 2-1/4	4.8	2.3
1-1/2 ▲	243262	243423	3/8 x 3/16 x 8-1/16	3/8 x 3/16 x 2-1/4	5.4	2.5
1-7/16 ▲	243260	243422	3/8 x 3/16 x 8-1/16	3/8 x 3/16 x 2-1/4	5.6	2.7
1-3/8 ▲	243284	243421	5/16 x 5/32 x 8-1/16	5/16 x 5/32 x 2-1/4	5.8	3.2
1-5/16 ▲	243282	243420	5/16 x 5/32 x 8-1/16	5/16 x 5/32 x 2-1/4	5.8	3.8

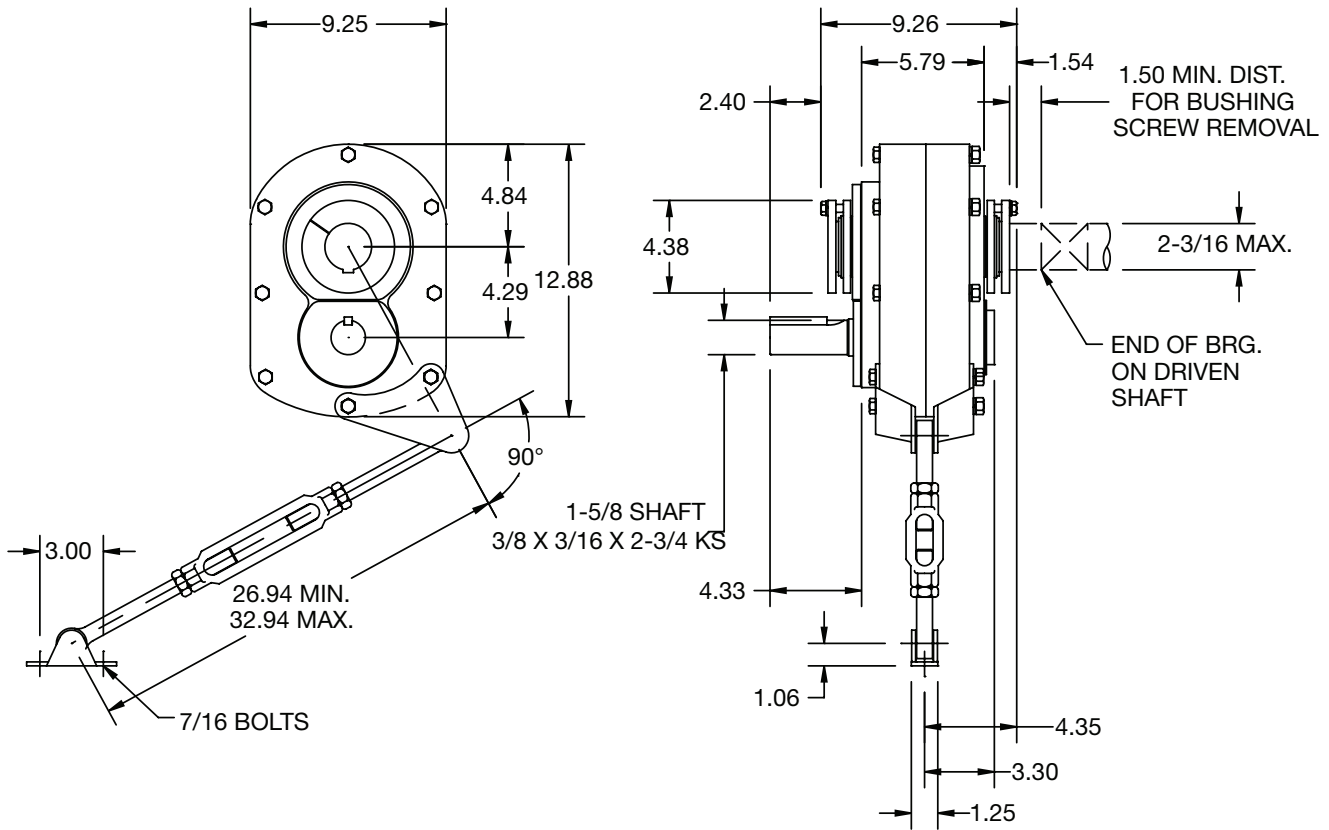
- ♠ DODGE standard belt guard will not fit this motor mount
- † Shaft key furnished.
- ▲ Check the driven shaft and key for strength.
- ◆ Preferred bore. No bushing required for this bore size.
- Stock TXT3 Reducers are drilled for vertical mounting.
- ♣ Made to order

- See pages G2-174 and G2-175 for reducer part numbers and drill and tap dimensions for Flange Mount TXT Reducers. Now available only as special factory order.
- Taper Bushed Reducers require bushing for all bore sizes.
- ♥ Use with Taper Bushed Reducer only. See page G2-177 for drill and tap information required to mount to reducer.

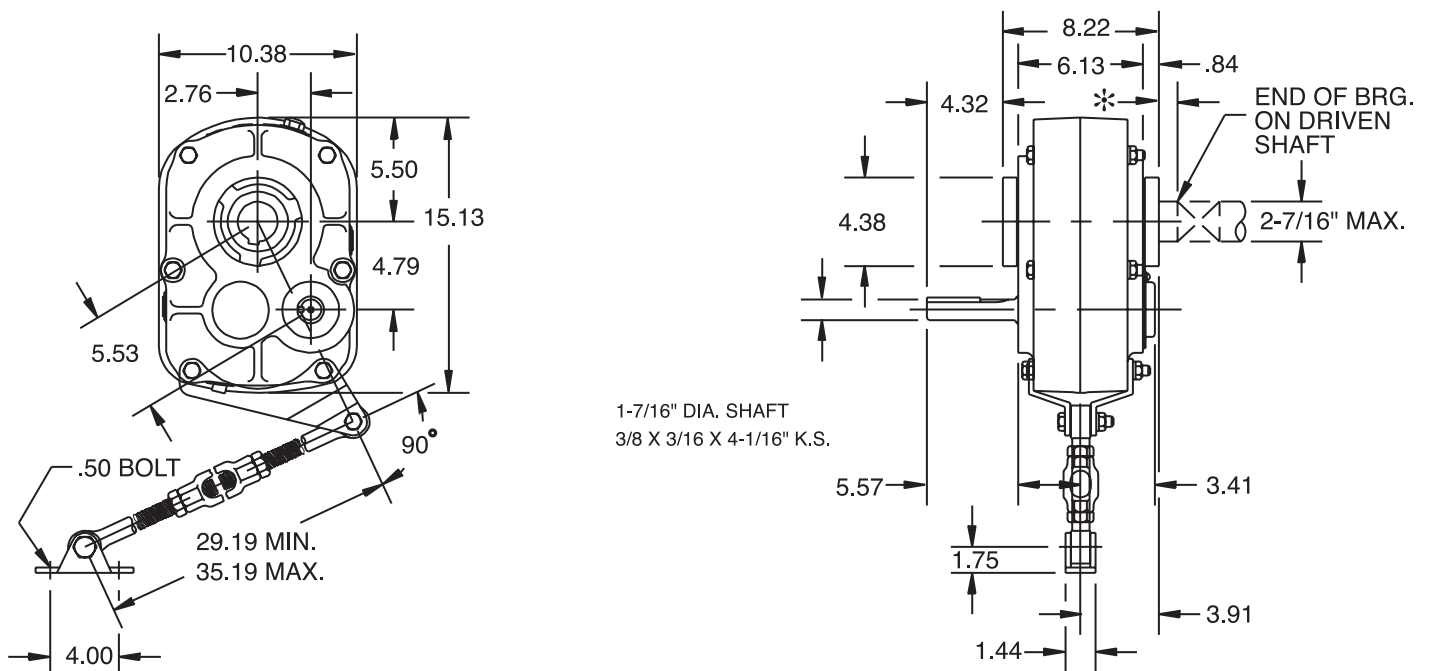


SELECTION/DIMENSIONS

TORQUE-ARM Shaft Mount Speed Reducers TXT305A - Single Reduction Taper Bushed



TXT305A - Single Reduction Straight Bore



FEATURES/BENEFITS PAGE G2-2	SPECIFICATION PAGE G2-9	MODIFICATION/ACCESSORIES PAGE G2-71	RELATED PRODUCTS PAGE G2-152
--------------------------------	----------------------------	--	---------------------------------



SELECTION/DIMENSIONS

TORQUE-ARM Shaft Mount Speed Reducers

TXT305A Taper Bushed Reducers ■ ○

Reducer Size	Part Number	AGMA Code	Actual Ratio	Weight
TXT305AT	253151	203S05	5.60	86

TXT305A Straight Bore Reducers ■ ○

Reducer Size	Part Number	AGMA Code	Actual Ratio	Weight
TXT305AS	253155	203S05	5.60	86

Accessories for TXT305A Reducers

Description	Part Number	Weight
TA3M Standard Motor Mount (56T-215T)	243391	38
TA3M Special Motor Mount (254T-256T) ♠ ♣	243393	45
TA3ML Long Motor Mount (143T-215T) ♣	243392	42
TAB3 Bottom Motor Mount (143T-286T) ♠ ♣	243404	54
TXT305A Backstop Assembly	252101	1
Optional Filter Breather (3/8-18 NPT)	430048	.2
TXT3S TA Reducer Belt Guard (56T-215T)	243389	43
TXT3S TA Reducer Belt Guard for Long Motor Mount (56T-215T) ♣	243164	55
TXT305A Cooling Fan Assembly	253188	3
TXT305A Taconite Auxiliary Seal Kit ♥	253186	7.6
TXT305 Lube Kit	LUBEKITTXT305	8.1

TXT3 Bushing Assemblies ●

Stock Bore Size	Part Number		Shaft Keyseat Required †		Weight	
	Tapered Bushing	Straight Bore Bushing	Tapered Bushing	Straight Bore Bushing	Tapered Bushing	Straight Bore Bushing
2-3/16 (Max.)	243276	◆	1/2 x 1/4 x 8-1/16	1/2 x 1/4 x 3-5/8	3.7	-
2	243274	243429	1/2 x 1/4 x 8-1/16	1/2 x 1/4 x 3-5/8	4.1	1.0
1-15/16	243272	243428	1/2 x 1/4 x 8-1/16	1/2 x 1/4 x 3-5/8	4.4	1.2
1-7/8 ▲	243270	243427 ♣	1/2 x 1/4 x 8-1/16	1/2 x 1/4 x 3-5/8	4.3	1.9
1-3/4 ▲	243266	243426	3/8 x 3/16 x 8-1/16	3/8 x 3/16 x 3-1/4	4.8	1.9
1-11/16 ▲	243268	243425	3/8 x 3/16 x 8-1/16	3/8 x 3/16 x 3-1/4	4.8	2.2
1-5/8 ▲	243264 ♣	243424	3/8 x 3/16 x 8-1/16	3/8 x 3/16 x 2-1/4	4.8	2.3
1-1/2 ▲	243262	243423	3/8 x 3/16 x 8-1/16	3/8 x 3/16 x 2-1/4	5.4	2.5
1-7/16 ▲	243260	243422	3/8 x 3/16 x 8-1/16	3/8 x 3/16 x 2-1/4	5.6	2.7
1-3/8 ▲	243284	243421	5/16 x 5/32 x 8-1/16	5/16 x 5/32 x 2-1/4	5.8	3.2
1-5/16 ▲	243282	243420	5/16 x 5/32 x 8-1/16	5/16 x 5/32 x 2-1/4	5.8	3.8

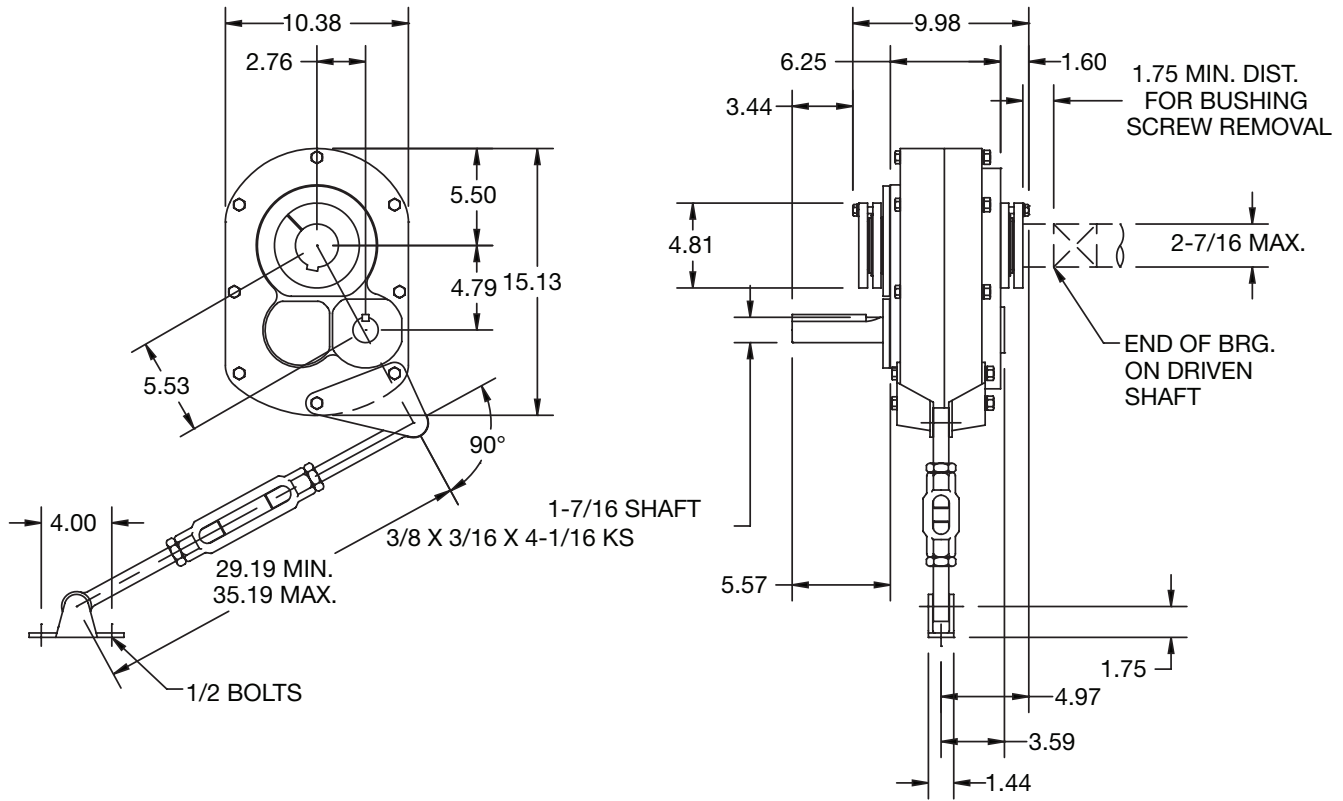
- ♠ DODGE standard belt guard will not fit this motor mount
- † Shaft key furnished.
- ▲ Check the driven shaft and key for strength.
- ◆ Preferred bore. No bushing required for this bore size.
- Stock TXT3 Reducers are drilled for vertical mounting.
- ♣ Made to order

- See pages G2-174 and G2-175 for reducer part numbers and drill and tap dimensions for Flange Mount TXT Reducers. Now available only as special factory order.
- Taper Bushed Reducers require bushing for all bore sizes.
- ♥ Use with Taper Bushed Reducer only. See page G2-177 for drill and tap information required to mount to reducer.

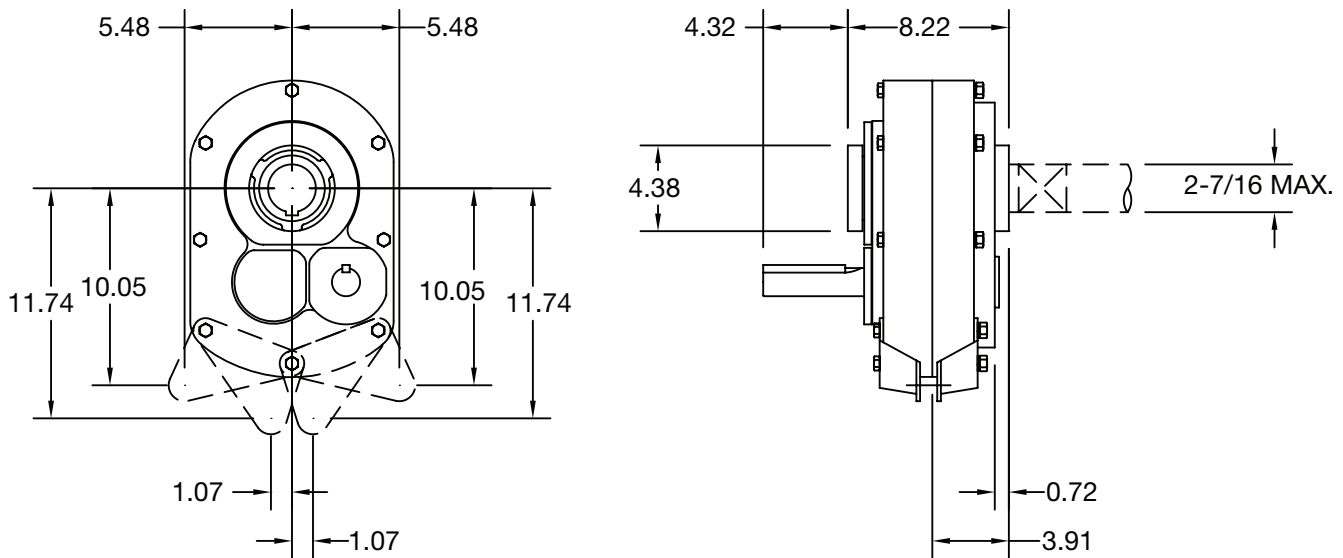


SELECTION/DIMENSIONS

TORQUE-ARM Shaft Mount Speed Reducers TXT4B - Double Reduction Taper Bushed



TXT4B - Double Reduction Straight Bore





SELECTION/DIMENSIONS

TORQUE-ARM Shaft Mount Speed Reducers

TXT4B Taper Bushed Reducers ■ ○

Reducer Size	Part Number	AGMA Code	Actual Ratio	Weight
TXT409BT	244525	207D09	9.67	139
TXT415BT	244526	207D15	15.13	139
TXT425BT	244527	207D25	24.38	139

Accessories for TXT4B Reducers

Description	Part Number	Weight
TA4M Standard Motor Mount (143T-286T)	244391	75
TA4ML Long Motor Mount (143T-286T)	244392	75
TAB4 Bottom Motor Mount (143T-326T) ♣ ♣	244404	55
TXT4A Backstop Assembly	244106	1.2
Optional Filter Breather (3/8-18 NPT)	430048	.2
TXT4D TA Reducer Belt Guard (143T-286T)	244395	54
TXT4D TA Reducer Belt Guard for Long Motor Mount (143T-286T) ♣ ♣	244151	65
TXT4A Cooling Fan Assembly	272594	3
TXT4A Taconite Auxiliary Seal Kit ♥	244676	7.7
TXT4 Lube Kit	LUBEKITXT4	10.4

TXT4B Straight Bore Reducers ■ ○

Reducer Size	Part Number	AGMA Code	Actual Ratio	Weight
TXT409BS	244537 ♣	207D09	9.67	139
TXT415BS	244538	207D15	15.13	139
TXT425BS	244539	207D25	24.38	139

TXT4 Bushing Assemblies ●

Stock Bore Size	Part Number		Shaft Keyseat Required †		Weight	
	Tapered Bushing	Straight Bore Bushing	Tapered Bushing	Straight Bore Bushing	Tapered Bushing	Straight Bore Bushing
2-7/16 (Max.)	244115	◆	5/8 x 5/16 x 9-1/32	5/8 x 5/16 x 3-3/8	5.8	-
2-1/4 ▲	244113	244430	1/2 x 1/4 x 9-1/32	1/2 x 1/4 x 3-3/8	6.3	1.2
2-3/16 ▲	244111	244429	1/2 x 1/4 x 9-1/32	1/2 x 1/4 x 3-3/8	6.7	1.5
2-1/8 ▲	244109	244428	1/2 x 1/4 x 9-1/32	1/2 x 1/4 x 3-3/8	7.0	2.6
2 ▲	244095	244427	1/2 x 1/4 x 9-1/32	1/2 x 1/4 x 4	7.1	2.6
1-15/16 ▲	244093	244426	1/2 x 1/4 x 9-1/32	1/2 x 1/4 x 4	7.4	3.5
1-3/4 ▲	244087	244424	3/8 x 3/16 x 9-1/32	3/8 x 3/16 x 2-7/16	8.0	3.6
1-11/16 ▲	244085	244423 ♣	3/8 x 3/16 x 9-1/32	3/8 x 3/16 x 2-7/16	8.3	3.6
1-1/2 ▲	244081	244421	3/8 x 3/16 x 9-1/32	3/8 x 3/16 x 2-7/16	8.3	4.1
1-7/16 ▲	244079	244420	3/8 x 3/16 x 9-1/32	3/8 x 3/16 x 2-7/16	8.8	4.1

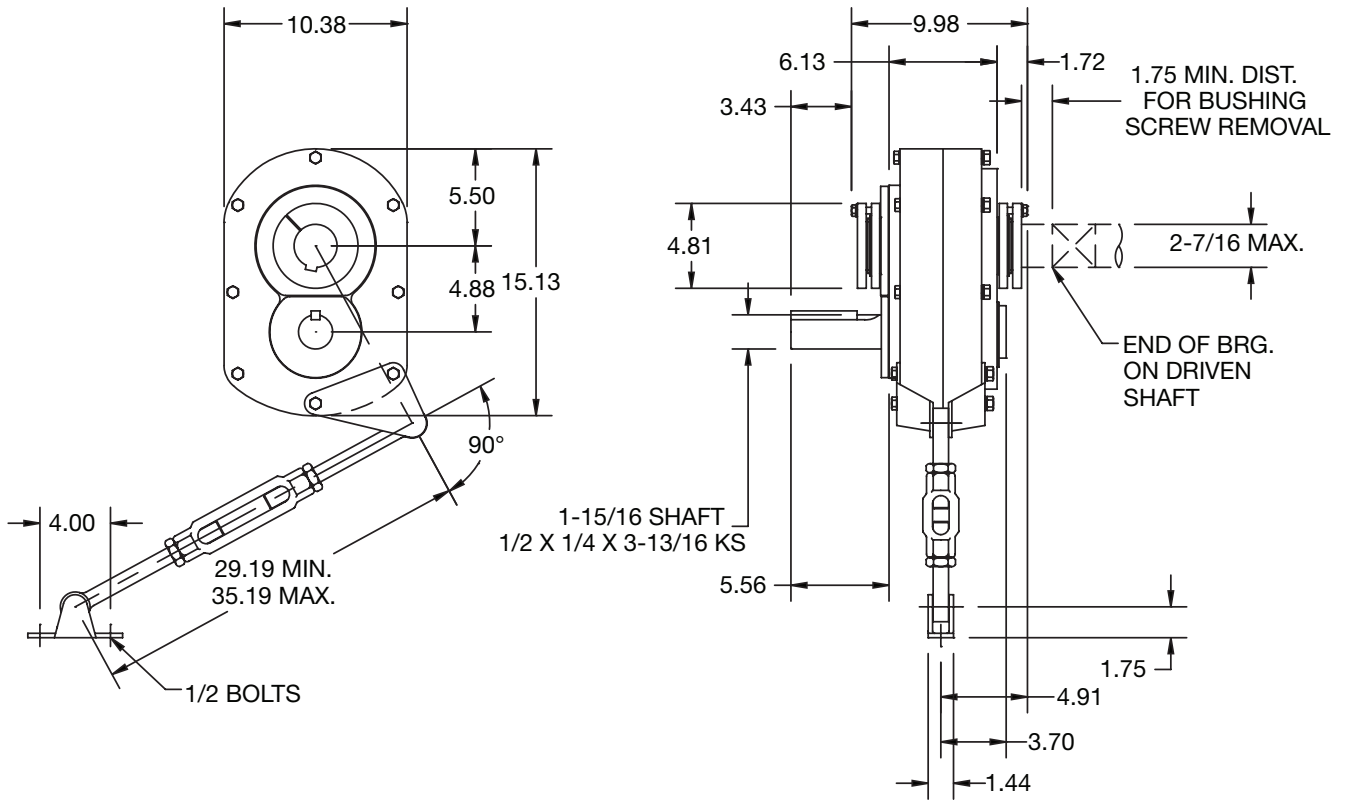
- ♣ DODGE standard belt guard will not fit this motor mount
- † Shaft key furnished.
- ▲ Check the driven shaft and key for strength.
- ◆ Preferred bore. No bushing required for this bore size.
- Stock TXT4 Reducers are drilled for vertical mounting.
- ♣ Made to order

- See pages G2-174 and G2-175 for reducer part numbers and drill and tap dimensions for Flange Mount TXT Reducers. Now available only as special factory order.
- Taper Bushed Reducers require bushing for all bore sizes.
- ♥ Use with Taper Bushed Reducer only. See page G2-177 for drill and tap information required to mount to reducer.

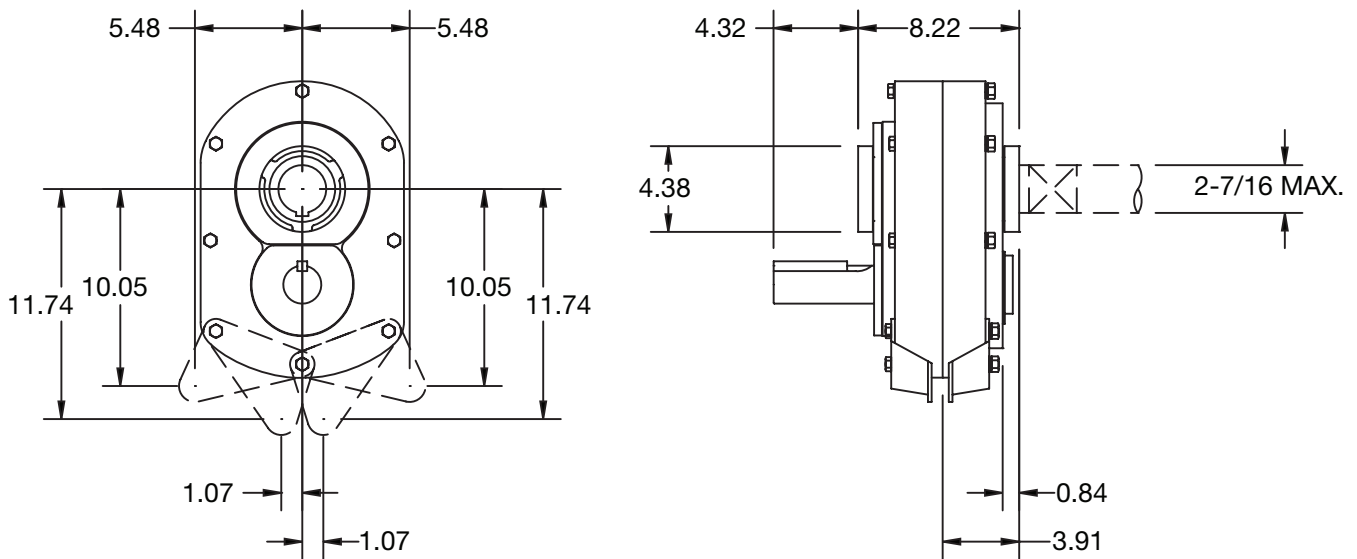


SELECTION/DIMENSIONS

TORQUE-ARM Shaft Mount Speed Reducers TXT405A - Single Reduction Taper Bushed



TXT405A - Single Reduction Straight Bore





SELECTION/DIMENSIONS

TORQUE-ARM Shaft Mount Speed Reducers

TXT405A Taper Bushed Reducers ■ ○

Reducer Size	Part Number	AGMA Code	Actual Ratio	Weight
TXT405AT	254200	207S05	5.65	122

TXT405A Straight Bore Reducers ■ ○

Reducer Size	Part Number	AGMA Code	Actual Ratio	Weight
TXT405AS	254204	207S05	5.65	122

Accessories for TXT405A Reducers

Description	Part Number	Weight
TA4M Standard Motor Mount (143T-286T)	244391	75
TA4ML Long Motor Mount (143T-286T)	244392	75
TAB4 Bottom Motor Mount (143T-326T) ♣ ♣	244404	55
TXT405A Backstop Assembly	244148	.9
Optional Filter Breather (3/8-18 NPT)	430048	.2
TXT4S TA Reducer Belt Guard (143T-286T)	244397	54
TXT4S TA Reducer Belt Guard for Long Motor Mount (143T-286T) ♣ ♣	244164	65
TXT405A Cooling Fan Assembly	254268	3
TXT405A Taconite Auxiliary Seal Kit ♥	254267	7.9
TXT405 Lube Kit	LUBEKITXT405	12.7

TXT4 Bushing Assemblies ●

Stock Bore Size	Part Number		Shaft Keyseat Required †		Weight	
	Tapered Bushing	Straight Bore Bushing	Tapered Bushing	Straight Bore Bushing	Tapered Bushing	Straight Bore Bushing
2-7/16 (Max.)	244115	◆	5/8 x 5/16 x 9-1/32	5/8 x 5/16 x 3-3/8	5.8	-
2-1/4 ▲	244113	244430	1/2 x 1/4 x 9-1/32	1/2 x 1/4 x 3-3/8	6.3	1.2
2-3/16 ▲	244111	244429	1/2 x 1/4 x 9-1/32	1/2 x 1/4 x 3-3/8	6.7	1.5
2-1/8 ▲	244109	244428	1/2 x 1/4 x 9-1/32	1/2 x 1/4 x 3-3/8	7.0	2.6
2 ▲	244095	244427	1/2 x 1/4 x 9-1/32	1/2 x 1/4 x 4	7.1	2.6
1-15/16 ▲	244093	244426	1/2 x 1/4 x 9-1/32	1/2 x 1/4 x 4	7.4	3.5
1-3/4 ▲	244087	244424	3/8 x 3/16 x 9-1/32	3/8 x 3/16 x 2-7/16	8.0	3.6
1-11/16 ▲	244085	244423 ♣	3/8 x 3/16 x 9-1/32	3/8 x 3/16 x 2-7/16	8.3	3.6
1-1/2 ▲	244081	244421	3/8 x 3/16 x 9-1/32	3/8 x 3/16 x 2-7/16	8.3	4.1
1-7/16 ▲	244079	244420	3/8 x 3/16 x 9-1/32	3/8 x 3/16 x 2-7/16	8.8	4.1

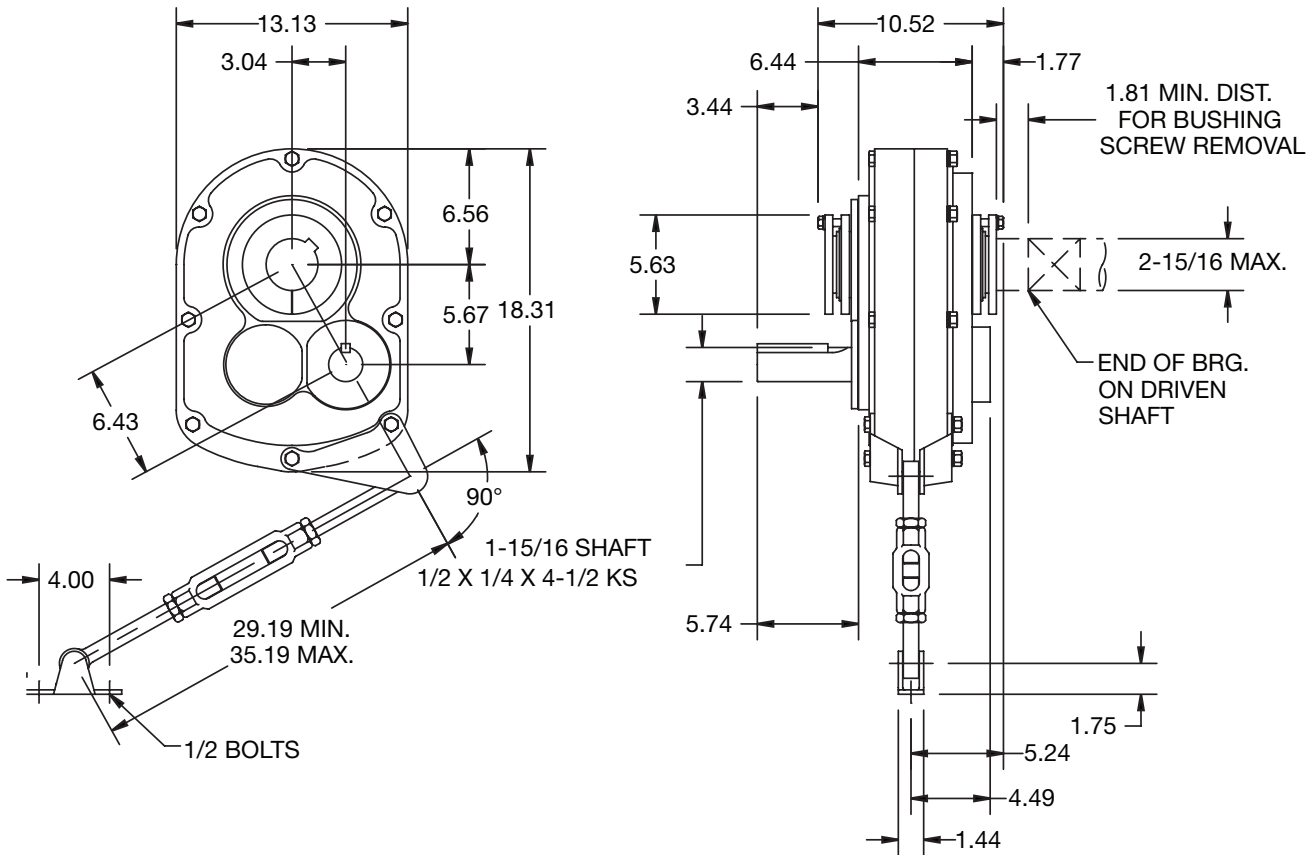
- ♣ DODGE standard belt guard will not fit this motor mount
- † Shaft key furnished.
- ▲ Check the driven shaft and key for strength.
- ◆ Preferred bore. No bushing required for this bore size.
- Stock TXT4 Reducers are drilled for vertical mounting.
- ♣ Made to order

- See pages G2-174 and G2-175 for reducer part numbers and drill and tap dimensions for Flange Mount TXT Reducers. Now available only as special factory order.
- Taper Bushed Reducers require bushing for all bore sizes.
- ♥ Use with Taper Bushed Reducer only. See page G2-177 for drill and tap information required to mount to reducer.

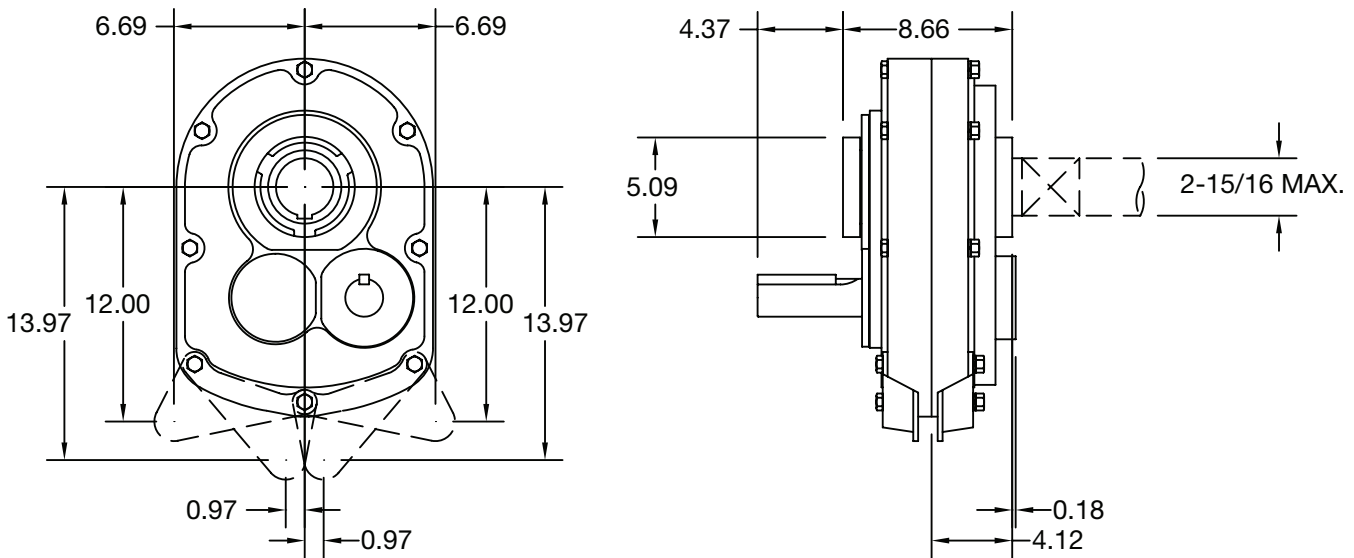


SELECTION/DIMENSIONS

TORQUE-ARM Shaft Mount Speed Reducers TXT5C - Double Reduction Taper Bushed



TXT5C - Double Reduction Straight Bore



FEATURES/BENEFITS PAGE G2-2	SPECIFICATION PAGE G2-9	MODIFICATION/ACCESSORIES PAGE G2-71	RELATED PRODUCTS PAGE G2-152
--------------------------------	----------------------------	--	---------------------------------



SELECTION/DIMENSIONS

TORQUE-ARM Shaft Mount Speed Reducers

TXT5C Taper Bushed Reducers ■ ○

Reducer Size	Part Number	AGMA Code	Actual Ratio	Weight
TXT509CT	245550	215D09	8.95	207
TXT515CT	245551	215D15	15.40	207
TXT525CT	245552	215D25	25.56	207

TXT5C Straight Bore Reducers ■ ○

Reducer Size	Part Number	AGMA Code	Actual Ratio	Weight
TXT509CS	245562 ♣	215D09	8.95	207
TXT515CS	245563	215D15	15.40	207
TXT525CS	245564	215D25	25.56	207

Accessories for TXT5C Reducers

Description	Part Number	Weight
TA5M Standard Motor Mount (143T-286T)	245391	76
TA5M Special Motor Mount (324T-326T) ♠ ♣	245393	79
TA5ML Long Motor Mount (143T-286T)	245392	89
TAB5 Bottom Motor Mount (143T-326T) ♠	245405	55
TXT5B Backstop Assembly	245154	2.2
Optional Filter Breather (1/2-14 NPT)	430049	.2
TXT5D TA Reducer Belt Guard (143T-286T)	245387	75
TXT5D TA Reducer Belt Guard for Long Motor Mount (143T-286T) ♣	245102	90
TXT5B Cooling Fan Assembly	272369	3
TXT5B Taconite Auxiliary Seal Kit ♥	245635	11.9
TXT5 Lube Kit	LUBEKITXT5	18.5

TXT5 Bushing Assemblies ●

Stock Bore Size	Part Number		Shaft Keyseat Required †		Weight	
	Tapered Bushing	Straight Bore Bushing	Tapered Bushing	Straight Bore Bushing	Tapered Bushing	Straight Bore Bushing
2-15/16 (Max.)	245112	◆	3/4 x 3/8 x 9-3/8	3/4 x 3/8 x 4-3/8	7.8	-
2-11/16	245110	245428	5/8 x 5/16 x 9-3/8	5/8 x 5/16 x 4-3/8	7.9	3.0
2-1/2 ▲	245099	245427	5/8 x 5/16 x 9-3/8	5/8 x 5/16 x 4-3/8	8.5	3.4
2-7/16 ▲	245094	245426	5/8 x 5/16 x 9-3/8	5/8 x 5/16 x 4-3/8	8.5	4.3
2-1/4 ▲	245092	245425	1/2 x 1/4 x 9-3/8	1/2 x 1/4 x 3	9.2	4.7
2-3/16 ▲	245090	245424	1/2 x 1/4 x 9-3/8	1/2 x 1/4 x 3	10.0	5.6
2 ▲	245088	245423	1/2 x 1/4 x 9-3/8	1/2 x 1/4 x 3	10.2	5.9
1-15/16 ▲	245086	245422	1/2 x 1/4 x 9-3/8	1/2 x 1/4 x 3	10.3	6.1

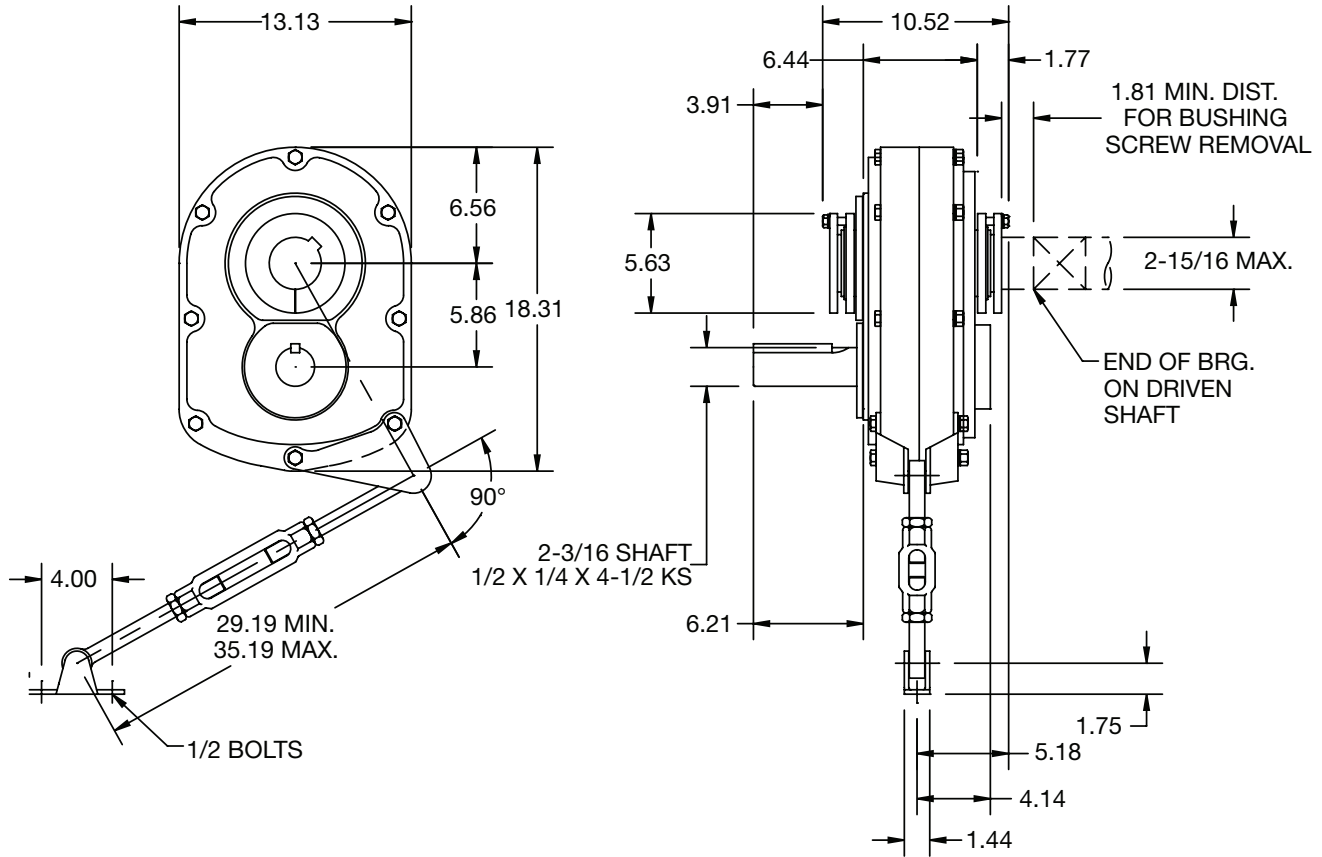
- ♠ DODGE standard belt guard will not fit this motor mount
- † Shaft key furnished.
- ▲ Check the driven shaft and key for strength.
- ◆ Preferred bore. No bushing required for this bore size.
- Stock TXT5 Reducers are drilled for vertical mounting.
- ♣ Made to order

- See pages G2-174 and G2-175 for reducer part numbers and drill and tap dimensions for Flange Mount TXT Reducers. Now available only as special factory order.
- Taper Bushed Reducers require bushing for all bore sizes.
- ♥ Use with Taper Bushed Reducer only. See page G2-177 for drill and tap information required to mount to reducer.

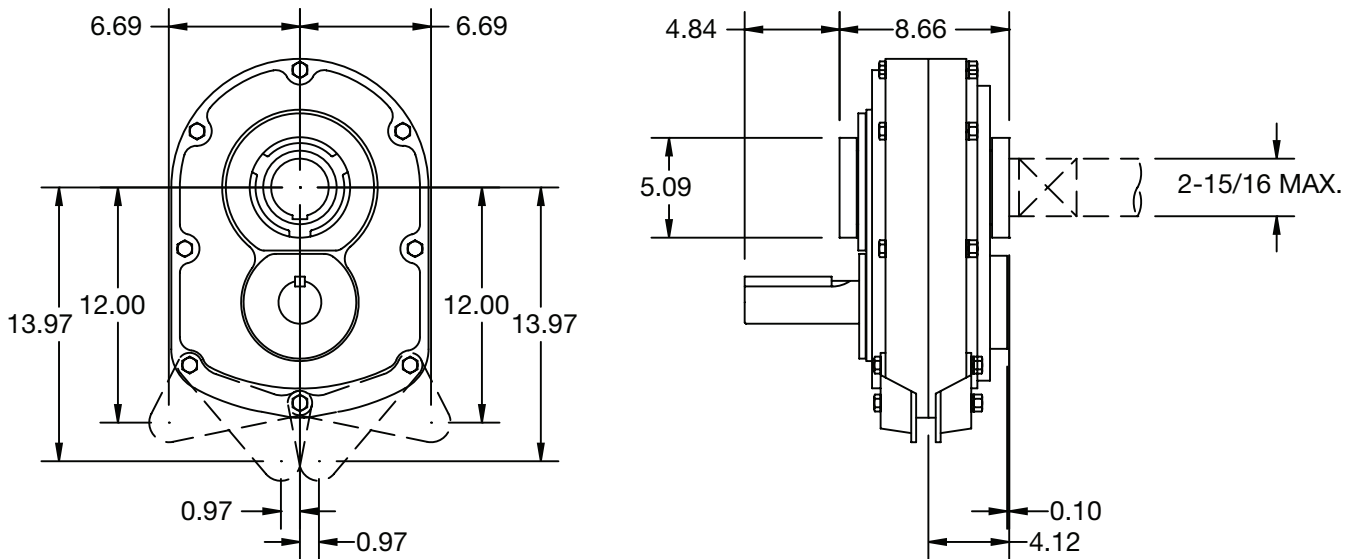


SELECTION/DIMENSIONS

TORQUE-ARM Shaft Mount Speed Reducers TXT505A - Single Reduction Taper Bushed



TXT505A - Single Reduction Straight Bore



FEATURES/BENEFITS PAGE G2-2	SPECIFICATION PAGE G2-9	MODIFICATION/ACCESSORIES PAGE G2-71	RELATED PRODUCTS PAGE G2-152
--------------------------------	----------------------------	--	---------------------------------



SELECTION/DIMENSIONS

TORQUE-ARM Shaft Mount Speed Reducers

TXT505A Taper Bushed Reducers ■ ○

Reducer Size	Part Number	AGMA Code	Actual Ratio	Weight
TXT505AT	255200	215S05	5.67	182

TXT505A Straight Bore Reducers ■ ○

Reducer Size	Part Number	AGMA Code	Actual Ratio	Weight
TXT505AS	255204	215S05	5.67	182

Accessories for TXT505A Reducers

Description	Part Number	Weight
TA5M Standard Motor Mount (143T-286T)	245391	76
TA5M Special Motor Mount (324T-326T) ♠ ♣	245393	79
TA5ML Long Motor Mount (143T-286T)	245392	89
TAB5 Bottom Motor Mount (143T-326T) ♠	245405	55
TXT505A Backstop Assembly	246101	1.8
Optional Filter Breather (1/2-14 NPT)	430049	.2
TXT5S TA Reducer Belt Guard (143T-286T)	245389	59
TXT5S TA Reducer Belt Guard for Long Motor Mount (143T-286T) ♣	245162	90
TXT505A Cooling Fan Assembly	255231	3
TXT505A Taconite Auxiliary Seal Kit ♥	255230	12.3
TXT505 Lube Kit	LUBEKITTXT505	18.5

TXT5 Bushing Assemblies ●

Stock Bore Size	Part Number		Shaft Keyseat Required †		Weight	
	Tapered Bushing	Straight Bore Bushing	Tapered Bushing	Straight Bore Bushing	Tapered Bushing	Straight Bore Bushing
2-15/16 (Max.)	245112	◆	3/4 x 3/8 x 9-3/8	3/4 x 3/8 x 4-3/8	7.8	-
2-11/16	245110	245428	5/8 x 5/16 x 9-3/8	5/8 x 5/16 x 4-3/8	7.9	3.0
2-1/2 ▲	245099	245427	5/8 x 5/16 x 9-3/8	5/8 x 5/16 x 4-3/8	8.5	3.4
2-7/16 ▲	245094	245426	5/8 x 5/16 x 9-3/8	5/8 x 5/16 x 4-3/8	8.5	4.3
2-1/4 ▲	245092	245425	1/2 x 1/4 x 9-3/8	1/2 x 1/4 x 3	9.2	4.7
2-3/16 ▲	245090	245424	1/2 x 1/4 x 9-3/8	1/2 x 1/4 x 3	10.0	5.6
2 ▲	245088	245423	1/2 x 1/4 x 9-3/8	1/2 x 1/4 x 3	10.2	5.9
1-15/16 ▲	245086	245422	1/2 x 1/4 x 9-3/8	1/2 x 1/4 x 3	10.3	6.1

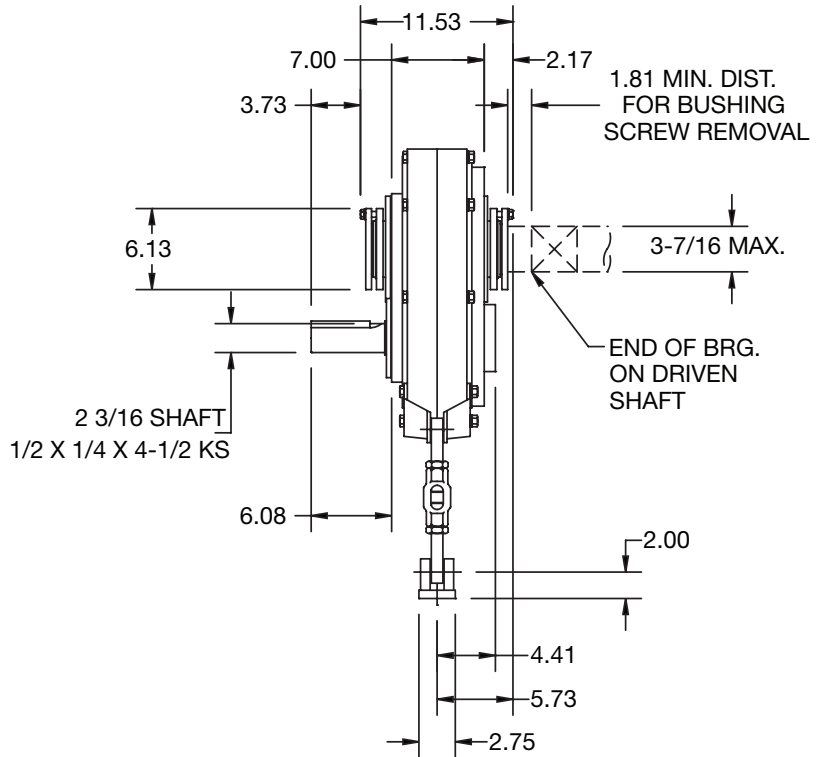
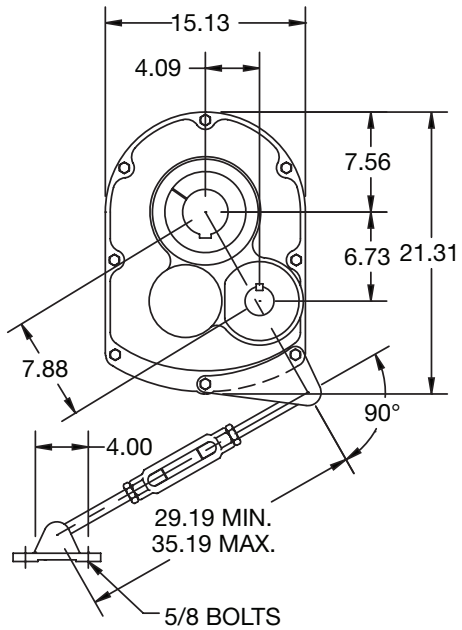
- ♠ DODGE standard belt guard will not fit this motor mount
- † Shaft key furnished.
- ▲ Check the driven shaft and key for strength.
- ◆ Preferred bore. No bushing required for this bore size.
- Stock TXT5 Reducers are drilled for vertical mounting.
- ♣ Made to order

- See pages G2-174 and G2-175 for reducer part numbers and drill and tap dimensions for Flange Mount TXT Reducers. Now available only as special factory order.
- Taper Bushed Reducers require bushing for all bore sizes.
- ♥ Use with Taper Bushed Reducer only. See page G2-177 for drill and tap information required to mount to reducer.

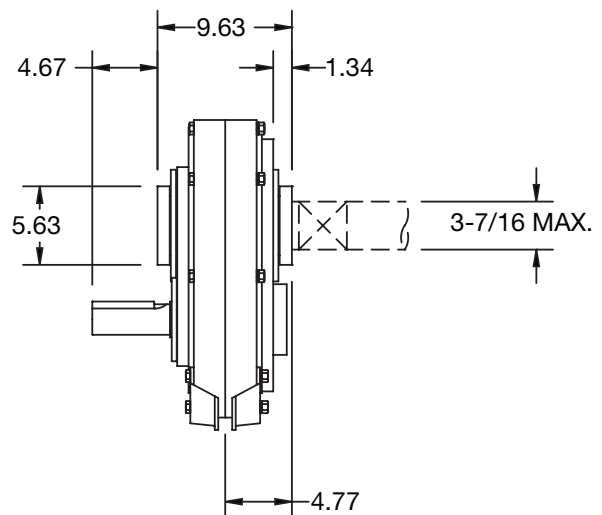
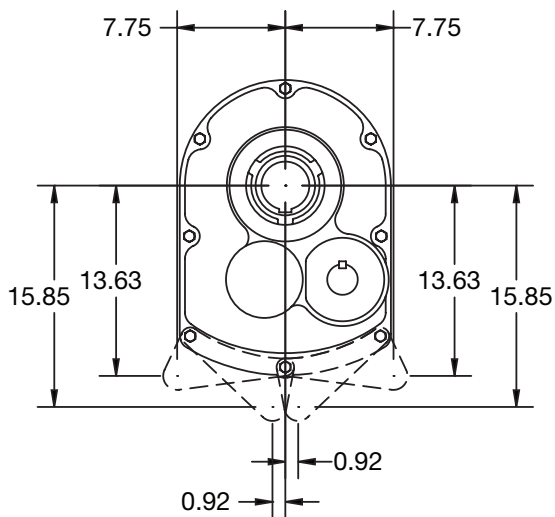


SELECTION/DIMENSIONS

TORQUE-ARM Shaft Mount Speed Reducers TXT6A - Double Reduction Taper Bushed



TXT6A - Double Reduction Straight Bore



Gearing Reference Guide

TORQUE-ARM II

TORQUE-ARM

MAXUM

TIGEAR-2



SELECTION/DIMENSIONS

TORQUE-ARM Shaft Mount Speed Reducers

TXT6A Taper Bushed Reducers ■ ○

Reducer Size	Part Number	AGMA Code	Actual Ratio	Weight
TXT609AT	246149 ♣	307D09	9.20	285
TXT615AT	246150	307D15	15.33	285
TXT625AT	246151	307D25	25.13	285

TXT6A Straight Bore Reducers ■ ○

Reducer Size	Part Number	AGMA Code	Actual Ratio	Weight
TXT609AS	246327 ♣	307D09	9.20	285
TXT615AS	246158 ♣	307D15	15.33	285
TXT625AS	246159	307D25	25.13	285

Accessories for TXT6A Reducers

Description	Part Number	Weight
TA6M Standard Motor Mount (143T-326T)	246391	99
TA6M Special Motor Mount (364T) ♣ ♣	246388	110
TA6ML Long Motor Mount (143T-326T)	246390	100
TAB6 Bottom Motor Mount (182T-326T) ♣	246392	84
TXT6 Backstop Assembly	246092	2.5
Optional Filter Breather (1/2-14 NPT)	430049	0.2
TXT6D TA Reducer Belt Guard (143T-326T)	246366	83
TXT6D TA Reducer Belt Guard for Long Motor Mount (143T-326T)	246147	100
TXT6 Cooling Fan Assembly	272325	3
TXT6 Taconite Auxiliary Seal Kit ♥	272450	17.7
TXT6 Lube Kit	LUBEKITXT6	20.8

TXT6 Bushing Assemblies ●

Stock Bore Size	Part Number		Shaft Keyseat Required †		Weight	
	Tapered Bushing	Straight Bore Bushing	Tapered Bushing	Straight Bore Bushing	Tapered Bushing	Straight Bore Bushing
3-7/16 (Max.)	246268	◆	7/8 x 7/16 x 10-11/16	7/8 x 7/16 x 5-7/8	9.0	-
3 ▲	246283	246427	3/4 x 3/8 x 10-11/16	3/4 x 3/8 x 5-7/8	11.3	4.6
2-15/16 ▲	246267	246426	3/4 x 3/8 x 10-11/16	3/4 x 3/8 x 5-7/8	11.6	6.7
2-7/8 ▲	246266	246425	3/4 x 3/8 x 10-11/16	3/4 x 3/8 x 5-7/8	12.2	6.7
2-11/16 ▲	246265	246424	5/8 x 5/16 x 10-11/16	5/8 x 5/16 x 5-7/8	12.9	6.7
2-1/2 ▲	246264	246423	5/8 x 5/16 x 10-11/16	5/8 x 5/16 x 3-1/2	14.0	8.2
2-7/16 ▲	246263	246422	5/8 x 5/16 x 10-11/16	5/8 x 5/16 x 3-1/2	14.4	8.5
2-1/4 ▲	246262	246421	1/2 x 1/4 x 10-11/16	1/2 x 1/4 x 3-1/2	14.9	9.8
2-3/16 ▲	246261	246420 ♣	1/2 x 1/4 x 10-11/16	1/2 x 1/4 x 3-1/2	15.3	11.0

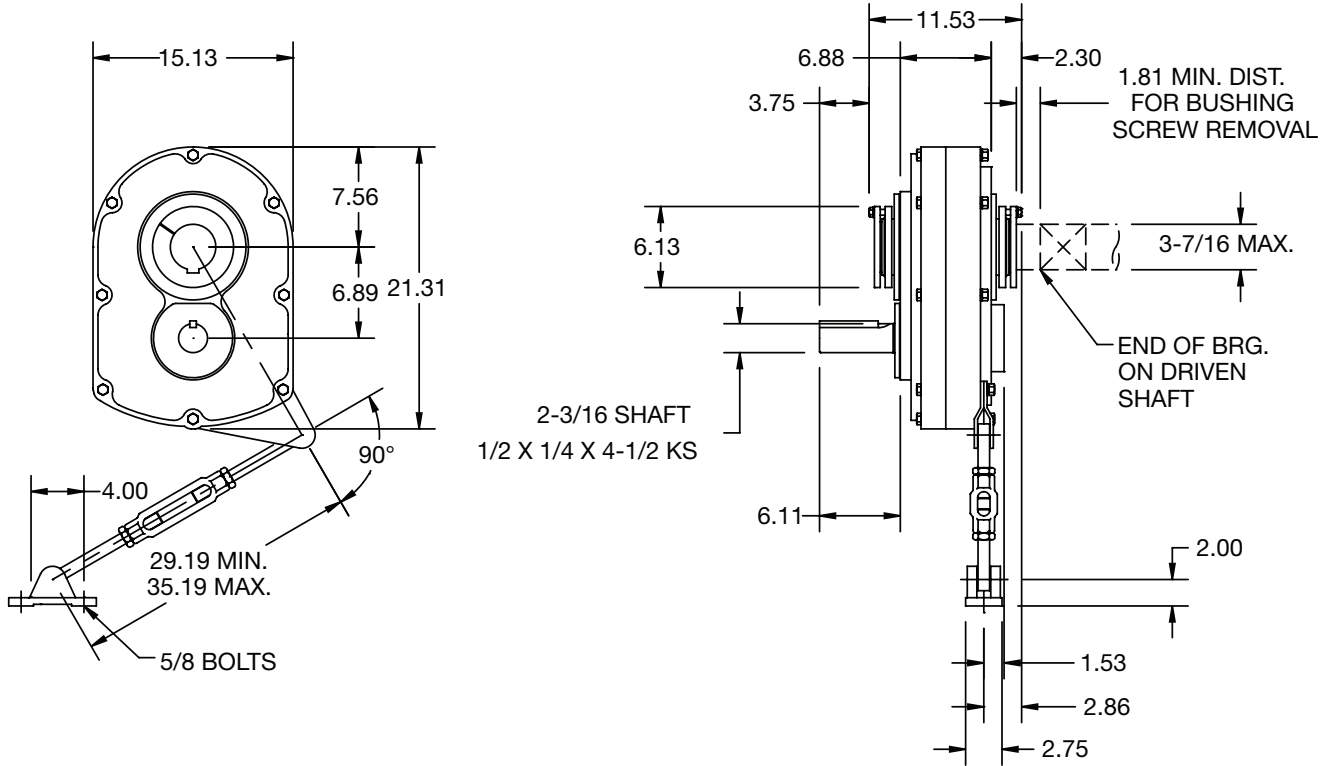
- ♣ DODGE standard belt guard will not fit this motor mount
- † Shaft key furnished.
- ▲ Check the driven shaft and key for strength.
- ◆ Preferred bore. No bushing required for this bore size.
- Stock TXT6 Reducers are drilled for vertical mounting.
- ♣ Made to order

- See pages G2-174 and G2-175 for reducer part numbers and drill and tap dimensions for Flange Mount TXT Reducers. Now available only as special factory order.
- Taper Bushed Reducers require bushing for all bore sizes.
- ♥ Use with Taper Bushed Reducer only. See page G2-176 for drill and tap information required to mount to reducer.

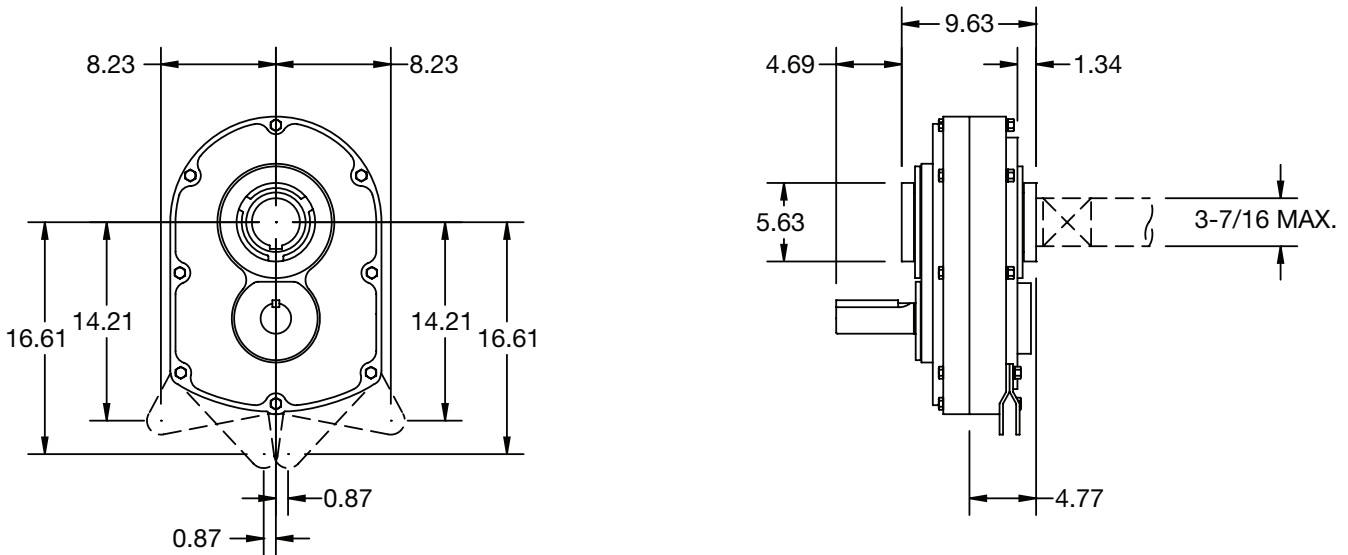


SELECTION/DIMENSIONS

TORQUE-ARM Shaft Mount Speed Reducers TXT605 - Single Reduction Taper Bushed



TXT605 - Single Reduction Straight Bore





SELECTION/DIMENSIONS

TORQUE-ARM Shaft Mount Speed Reducers

TXT605 Taper Bushed Reducers ■ ○

Reducer Size	Part Number	AGMA Code	Actual Ratio	Weight
TXT605T	246380	307S05	5.67	251

TXT605 Straight Bore Reducers ■ ○

Reducer Size	Part Number	AGMA Code	Actual Ratio	Weight
TXT605S	246382	307S05	5.67	251

Accessories for TXT605 Reducers

Description	Part Number	Weight
TA6M Standard Motor Mount (143T-326T)	246391	99
TA6ML Long Motor Mount (143T-326T)	246390	100
TAB6 Bottom Motor Mount (182T-326T) ♣	246392	84
TXT605 Backstop Assembly	246092	2.5
Optional Filter Breather (1/2-14 NPT)	430049	0.2
TXT6S TA Reducer Belt Guard (143T-326T)	246368	95
TXT6S TA Reducer Belt Guard for Long Motor Mount (143T-326T) ♣	246132	100
TXT605 Cooling Fan Assembly ♣	272681	3
TXT605 Taconite Auxiliary Seal Kit ♥	272450	17.7
TXT605 Lube Kit	LUBEKITTXT605	24.3

TXT6 Bushing Assemblies ●

Stock Bore Size	Part Number		Shaft Keyseat Required †		Weight	
	Tapered Bushing	Straight Bore Bushing	Tapered Bushing	Straight Bore Bushing	Tapered Bushing	Straight Bore Bushing
3-7/16 (Max.)	246268	◆	7/8 x 7/16 x 10-11/16	7/8 x 7/16 x 5-7/8	9.0	-
3 ▲	246283	246427	3/4 x 3/8 x 10-11/16	3/4 x 3/8 x 5-7/8	11.30	4.6
2-15/16 ▲	246267	246426	3/4 x 3/8 x 10-11/16	3/4 x 3/8 x 5-7/8	11.60	6.7
2-7/8 ▲	246266	246425	3/4 x 3/8 x 10-11/16	3/4 x 3/8 x 5-7/8	12.20	6.7
2-11/16 ▲	246265	246424	5/8 x 5/16 x 10-11/16	5/8 x 5/16 x 5-7/8	12.90	6.7
2-1/2 ▲	246264	246423	5/8 x 5/16 x 10-11/16	5/8 x 5/16 x 3-1/2	14.0	8.2
2-7/16 ▲	246263	246422	5/8 x 5/16 x 10-11/16	5/8 x 5/16 x 3-1/2	14.40	8.5
2-1/4 ▲	246262	246421	1/2 x 1/4 x 10-11/16	1/2 x 1/4 x 3-1/2	14.90	9.8
2-3/16 ▲	246261	246420 ♣	1/2 x 1/4 x 10-11/16	1/2 x 1/4 x 3-1/2	15.30	11.0

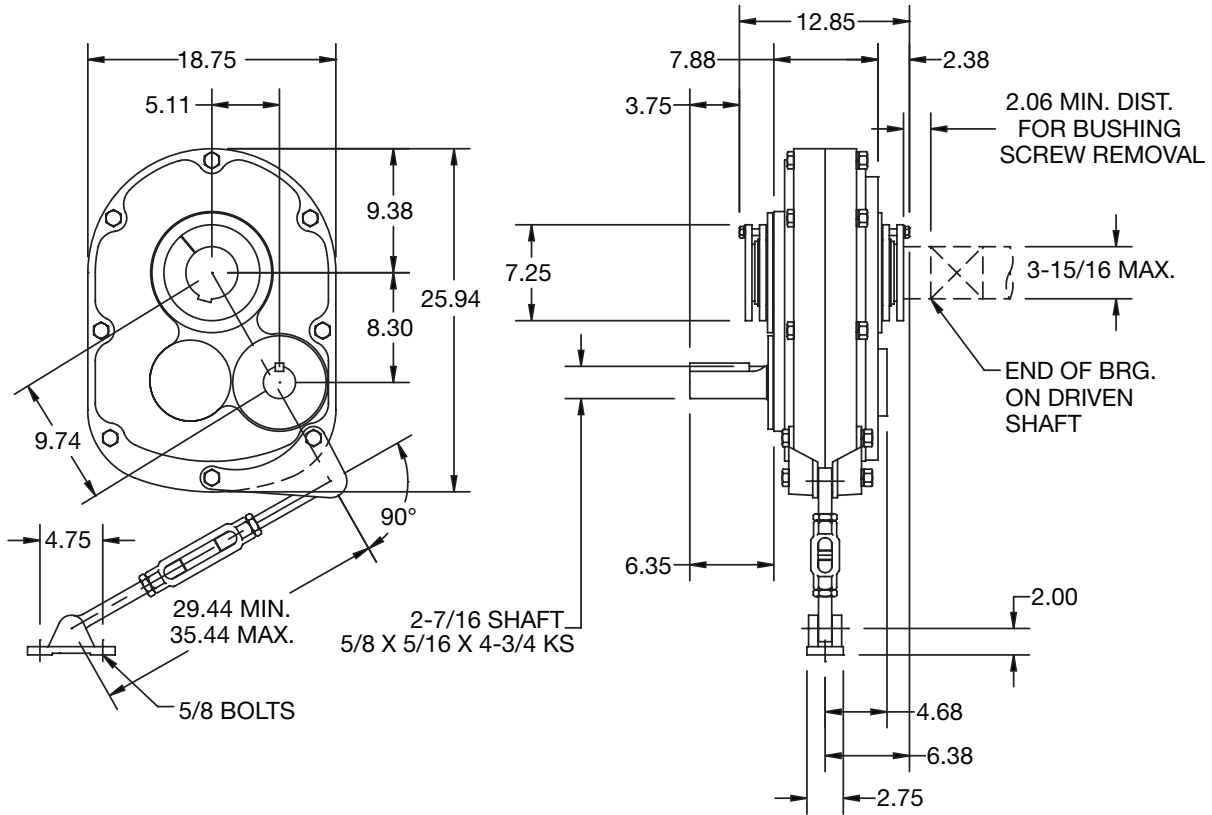
- ♣ DODGE standard belt guard will not fit this motor mount
- † Shaft key furnished.
- ▲ Check the driven shaft and key for strength.
- ◆ Preferred bore. No bushing required for this bore size.
- Stock TXT7 Reducers are drilled for vertical mounting.
- ♣ Made to order

- See pages G2-174 and G2-175 for reducer part numbers and drill and tap dimensions for Flange Mount TXT Reducers. Now available only as special factory order.
- Taper Bushed Reducers require bushing for all bore sizes.
- ♥ Use with Taper Bushed Reducer only. See page G2-176 for drill and tap information required to mount to reducer.

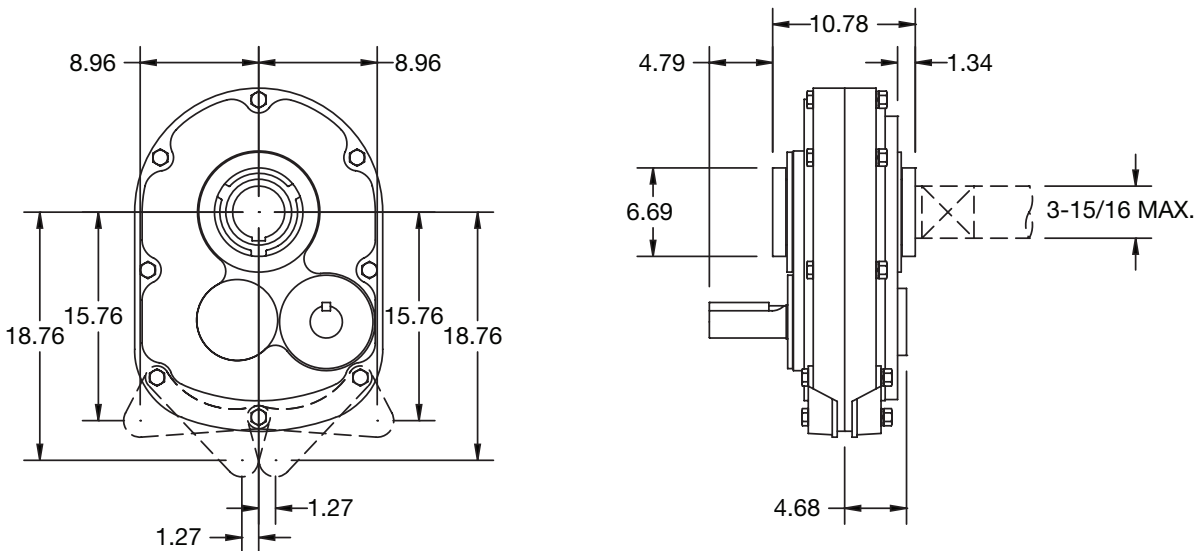


SELECTION/DIMENSIONS

TORQUE-ARM Shaft Mount Speed Reducers
TXT7A - Double Reduction Taper Bushed



TXT7A - Double Reduction Straight Bore





SELECTION/DIMENSIONS

TORQUE-ARM Shaft Mount Speed Reducers

TXT7A Taper Bushed Reducers ■ ○

Reducer Size	Part Number	AGMA Code	Actual Ratio	Weight
TXT709AT	247159	315D09	9.61	462
TXT715AT	247160	315D15	15.23	462
TXT725AT	247161	315D25	24.59	462

TXT7A Straight Bore Reducers ■ ○

Reducer Size	Part Number	AGMA Code	Actual Ratio	Weight
TXT709AS	247327 ♣	315D09	9.61	462
TXT715AS	247168 ♣	315D15	15.23	462
TXT725AS	247169	315D25	24.59	462

Accessories for TXT7A Reducers

Description	Part Number	Weight
TA7M Standard Motor Mount (143T-365T)	247395	110
TA7ML Long Motor Mount (143T-326T) ♣	247396	100
TAB7 Bottom Motor Mount (182T-326T) ♣ ♣	247404	105
TXT7 Backstop Assembly	247260	2.8
Optional Filter Breather (1/2-14 NPT)	430049	.2
TXT7D TA Reducer Belt Guard (143T-365T)	247390	90
TXT7D TA Reducer Belt Guard for Long Motor Mount (143T-365T) ♣	247152	108
TXT7 Cooling Fan Assembly	272326	6
TXT7 Taconite Auxiliary Seal Kit ♥	272451	25
TXT7 Lube Kit	LUBEKITXT7	34.7

TXT7 Bushing Assemblies ●

Stock Bore Size	Part Number		Shaft Keyseat Required †		Weight	
	Tapered Bushing	Straight Bore Bushing	Tapered Bushing	Straight Bore Bushing	Tapered Bushing	Straight Bore Bushing
3-15/16 (Max.)	272136	◆	1 x 1/2 x 11-27/32	1 x 1/2 x 4-7/8	13.8	-
3-7/16	272135	247428	7/8 x 7/16 x 11-27/32	7/8 x 7/16 x 6-3/8	16.9	7.8
3-3/16 ▲	272134	247427	3/4 x 3/8 x 11-27/32	3/4 x 3/8 x 6-3/8	19.2	9.0
3 ▲	272133	247426	3/4 x 3/8 x 11-27/32	3/4 x 3/8 x 6-3/8	20.1	10.1
2-15/16 ▲	272132	247425	3/4 x 3/8 x 11-27/32	3/4 x 3/8 x 4-7/8	21.3	10.1
2-11/16 ▲	272147	247422	5/8 x 5/16 x 11-27/32	5/8 x 5/16 x 3-1/2	23.0	14.0
2-7/16 ▲	272125	247420	5/8 x 5/16 x 11-27/32	5/8 x 5/16 x 3-1/2	24.2	14.2

- ♣ DODGE standard belt guard will not fit this motor mount
- † Shaft key furnished.
- ▲ Check the driven shaft and key for strength.
- ◆ Preferred bore. No bushing required for this bore size.
- Stock TXT7 Reducers are drilled for vertical mounting.
- ♣ Made to order

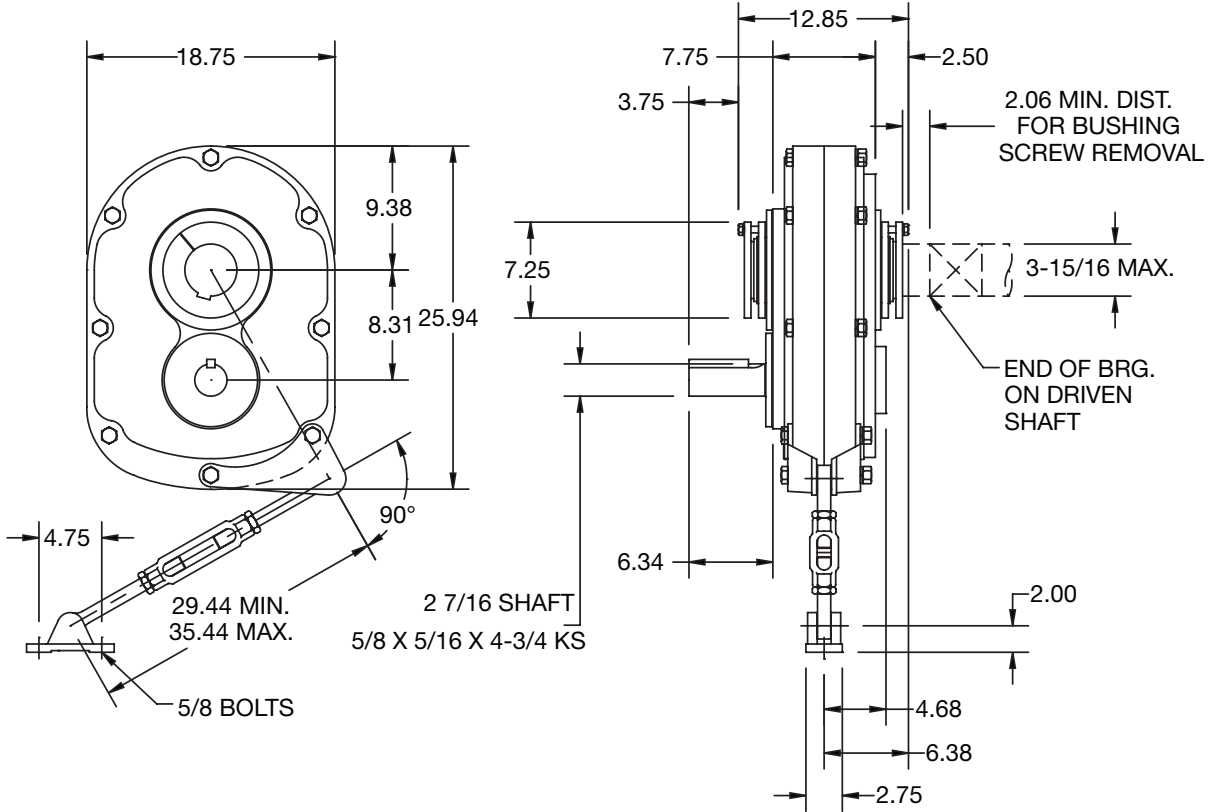
- See pages G2-174 and G2-175 for reducer part numbers and drill and tap dimensions for Flange Mount TXT Reducers. Now available only as special factory order.
- Taper Bushed Reducers require bushing for all bore sizes.
- ♥ Use with Taper Bushed Reducer only. See page G2-176 for drill and tap information required to mount to reducer.

FEATURES/BENEFITS PAGE G2-2	SPECIFICATION PAGE G2-9	MODIFICATION/ACCESSORIES PAGE G2-71	RELATED PRODUCTS PAGE G2-152
--------------------------------	----------------------------	--	---------------------------------

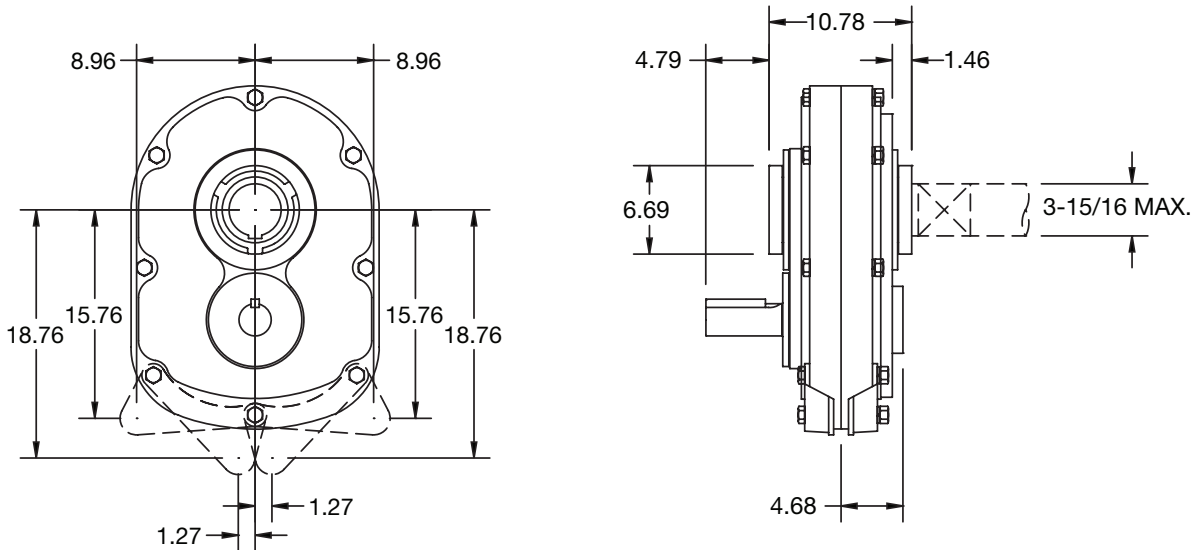


SELECTION/DIMENSIONS

TORQUE-ARM Shaft Mount Speed Reducers
TXT705 - Single Reduction Taper Bushed



TXT705 - Single Reduction Straight Bore





SELECTION/DIMENSIONS

TORQUE-ARM Shaft Mount Speed Reducers

TXT705 Taper Bushed Reducers ■ ○

Reducer Size	Part Number	AGMA Code	Actual Ratio	Weight
TXT705T	247285 ♣	315S05	5.36	410

TXT705 Straight Bore Reducers ■ ○

Reducer Size	Part Number	AGMA Code	Actual Ratio	Weight
TXT705S	247287 ♣	315S05	5.36	410

Accessories for TXT705 Reducers

Description	Part Number	Weight
TA7M Standard Motor Mount (143T-365T)	247395	110
TA7ML Long Motor Mount (143T-326T) ♣	247396	100
TAB7 Bottom Motor Mount (182T-326T) ♣ ♣	247404	105
TXT705 Backstop Assembly	247260	2.80
Optional Filter Breather (1/2-14 NPT)	430049	0.20
TXT7S TA Reducer Belt Guard (143T-365T)	247392	112
TXT7S TA Reducer Belt Guard for Long Motor Mount (143T-365T) ♣	247146	135
TXT705 Cooling Fan Assembly ♣	272685	6
TXT705 Taconite Auxiliary Seal Kit ♥	272451	25
TXT705 Lube Kit	LUBEKITTXT705	39.3

TXT7 Bushing Assemblies ●

Stock Bore Size	Part Number		Shaft Keyseat Required †		Weight	
	Tapered Bushing	Straight Bore Bushing	Tapered Bushing	Straight Bore Bushing	Tapered Bushing	Straight Bore Bushing
3-15/16 (Max.)	272136	◆	1 x 1/2 x 11-27/32	1 x 1/2 x 4-7/8	13.8	-
3-7/16	272135	247428	7/8 x 7/16 x 11-27/32	7/8 x 7/16 x 6-3/8	16.9	7.8
3-3/16 ▲	272134	247427	3/4 x 3/8 x 11-27/32	3/4 x 3/8 x 6-3/8	19.2	9.0
3 ▲	272133	247426	3/4 x 3/8 x 11-27/32	3/4 x 3/8 x 6-3/8	20.1	10.1
2-15/16 ▲	272132	247425	3/4 x 3/8 x 11-27/32	3/4 x 3/8 x 4-7/8	21.3	10.1
2-11/16 ▲	272147	247422	5/8 x 5/16 x 11-27/32	5/8 x 5/16 x 3-1/2	23.0	14.0
2-7/16 ▲	272125	247420	5/8 x 5/16 x 11-27/32	5/8 x 5/16 x 3-1/2	24.2	14.2

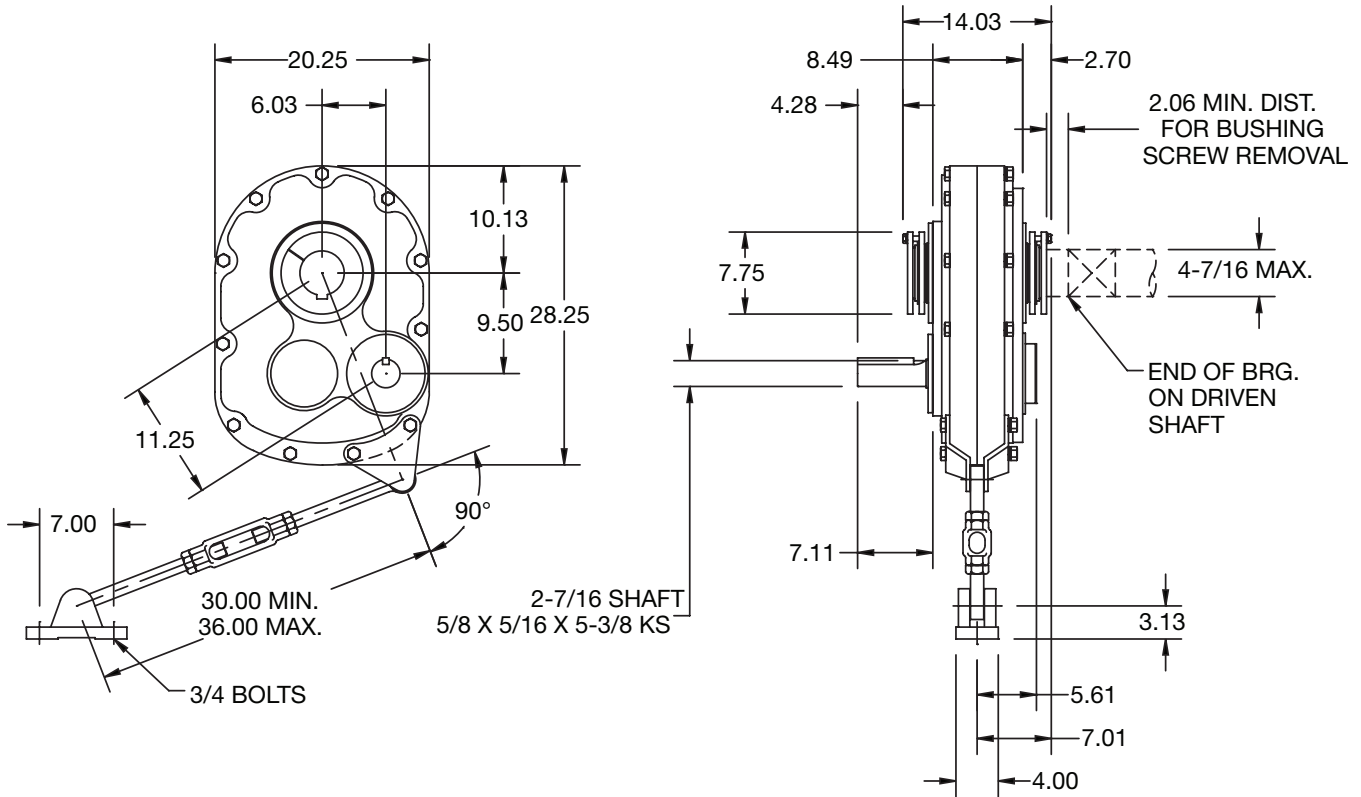
- ♣ DODGE standard belt guard will not fit this motor mount
- † Shaft key furnished.
- ▲ Check the driven shaft and key for strength.
- ◆ Preferred bore. No bushing required for this bore size.
- Stock TXT7 Reducers are drilled for vertical mounting.
- ♣ Made to order

- See pages G2-174 and G2-175 for reducer part numbers and drill and tap dimensions for Flange Mount TXT Reducers. Now available only as special factory order.
- Taper Bushed Reducers require bushing for all bore sizes.
- ♥ Use with Taper Bushed Reducer only. See page G2-176 for drill and tap information required to mount to reducer.

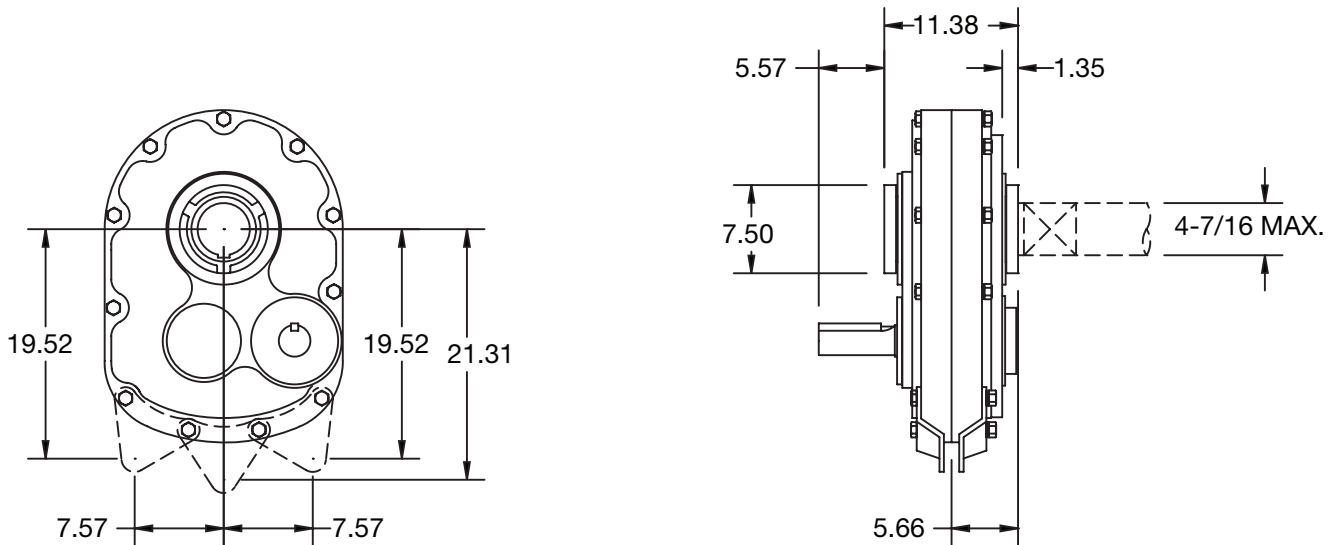


SELECTION/DIMENSIONS

TORQUE-ARM Shaft Mount Speed Reducers TXT8A - Double Reduction Taper Bushed



TXT8A - Double Reduction Straight Bore





SELECTION/DIMENSIONS

TORQUE-ARM Shaft Mount Speed Reducers

TXT8A Taper Bushed Reducers ■ ○

Reducer Size	Part Number	AGMA Code	Actual Ratio	Weight
TXT815AT	248279	407D15	15.08	633
TXT825AT	248280	407D25	24.62	633

TXT8A Straight Bore Reducers ■ ○

Reducer Size	Part Number	AGMA Code	Actual Ratio	Weight
TXT815AS	248283 ♣	407D15	15.08	633
TXT825AS	248284	407D25	24.62	633

Accessories for TXT8A Reducers

Description	Part Number	Weight
TA8 Standard Motor Mount (213T-365T)	248401	119
TAB8 Bottom Motor Mount (213T-365T) ♠ ♣	248406	120
TXT8 Backstop Assembly	249260	3.8
Optional Filter Breather (1/2-14 NPT)	430049	.2
TXT8D TA Reducer Belt Guard (213T-365T)	248395	107
TXT8 Cooling Fan Assembly	272327	9
TXT8 Taconite Auxiliary Seal Kit ♥	272452	26.3
TXT8 Lube Kit	LUBEKITXT8	40.5

TXT8 Bushing Assemblies ●

Stock Bore Size	Part Number		Shaft Keyseat Required †		Weight	
	Tapered Bushing	Straight Bore Bushing	Tapered Bushing	Straight Bore Bushing	Tapered Bushing	Straight Bore Bushing
4-7/16 (Max.)	272035	◆	1 x 1/2 x 13-1/16	1 x 1/2 x 6-7/8	15	-
4-3/16	272034	248424	1 x 1/2 x 13-1/16	1 x 1/2 x 6-7/8	17	6.8
3-15/16	272033	248423	1 x 1/2 x 13-1/16	1 x 1/2 x 6-7/8	20	8.0
3-7/16 ▲	272032	248422	7/8 x 7/16 x 13-1/16	7/8 x 7/16 x 6-7/8	25	12
2-15/16 ▲	272048	248420	3/4 x 3/8 x 13-1/16	3/4 x 3/8 x 4-3/8	29	19

- ♠ DODGE standard belt guard will not fit this motor mount
- † Shaft key furnished.
- ▲ Check the driven shaft and key for strength.
- ◆ Preferred bore. No bushing required for this bore size.
- Stock TXT8 Reducers are drilled for vertical mounting.
- ♣ Made to order

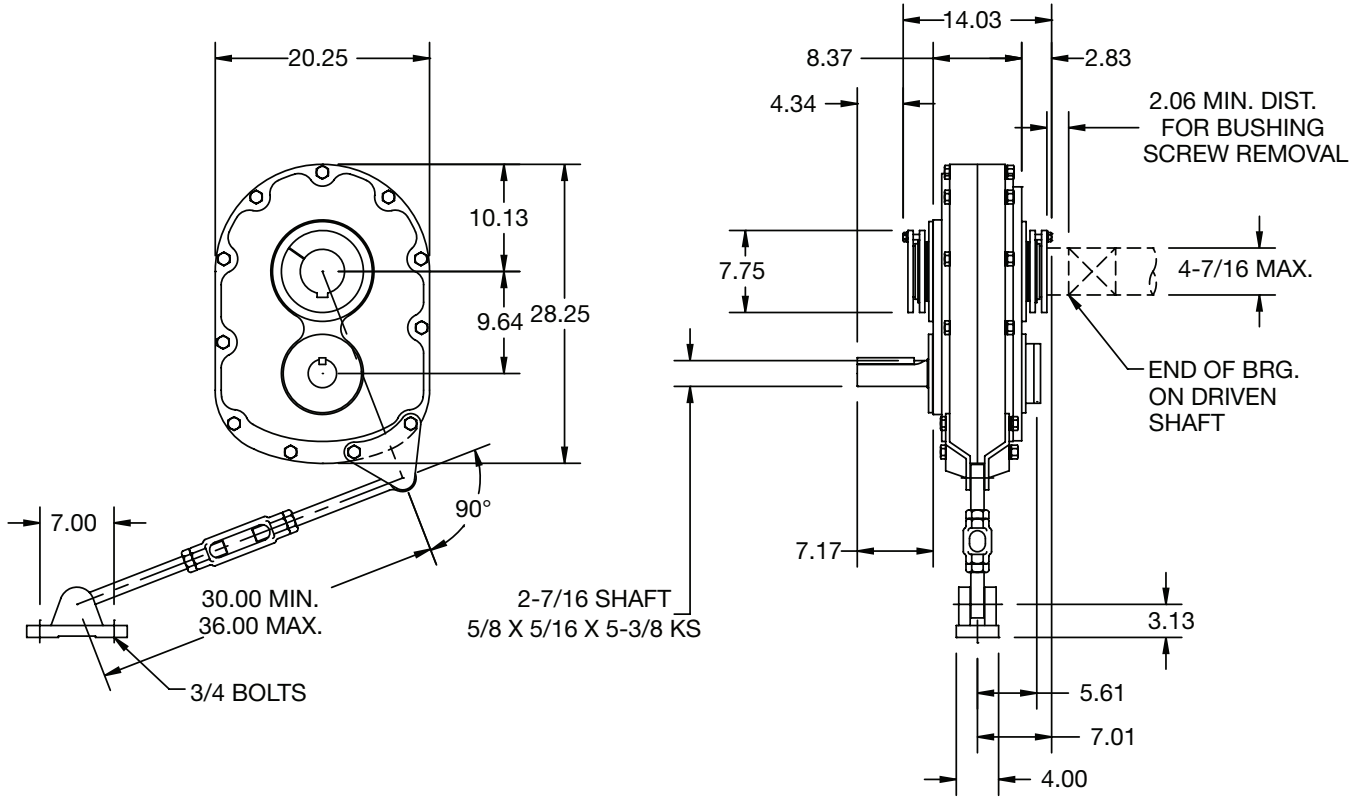
- See pages G2-174 and G2-175 for reducer part numbers and drill and tap dimensions for Flange Mount TXT Reducers. Now available only as special factory order.
- Taper Bushed Reducers require bushing for all bore sizes.
- ♥ Use with Taper Bushed Reducer only. See page G2-176 for drill and tap information required to mount to reducer.

FEATURES/BENEFITS PAGE G2-2	SPECIFICATION PAGE G2-9	MODIFICATION/ACCESSORIES PAGE G2-71	RELATED PRODUCTS PAGE G2-152
--------------------------------	----------------------------	--	---------------------------------

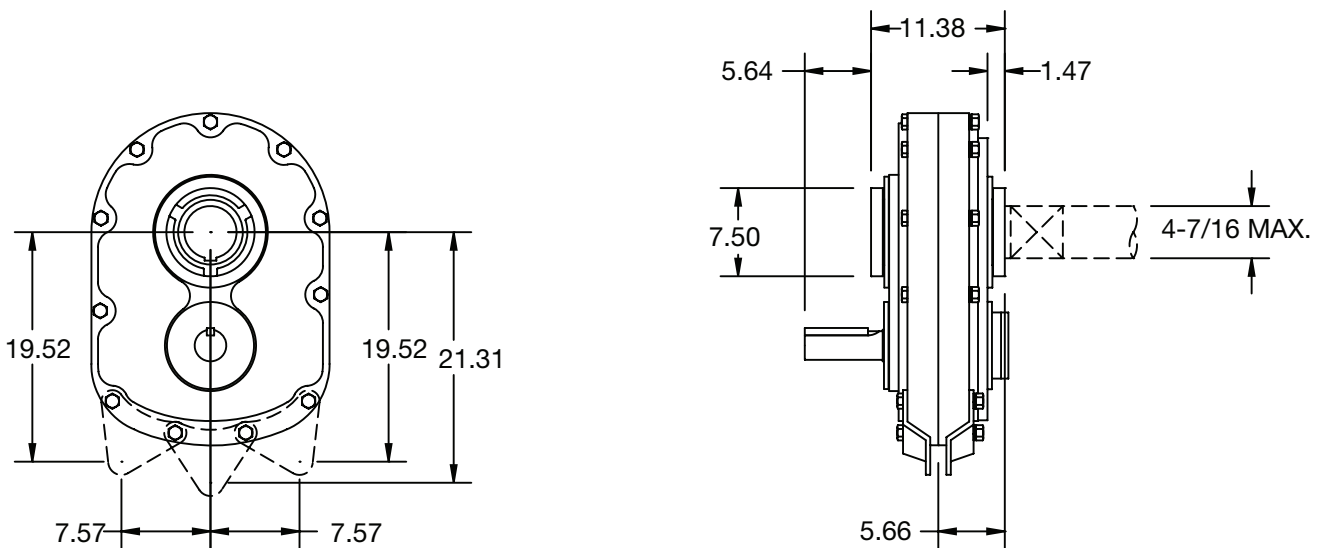


SELECTION/DIMENSIONS

TORQUE-ARM Shaft Mount Speed Reducers TXT805 - Single Reduction Taper Bushed



TXT805 - Single Reduction Straight Bore



FEATURES/BENEFITS PAGE G2-2	SPECIFICATION PAGE G2-9	MODIFICATION/ACCESSORIES PAGE G2-71	RELATED PRODUCTS PAGE G2-152
--------------------------------	----------------------------	--	---------------------------------



SELECTION/DIMENSIONS

TORQUE-ARM Shaft Mount Speed Reducers

TXT805 Taper Bushed Reducers ■ ○

Reducer Size	Part Number	AGMA Code	Actual Ratio	Weight
TXT805T	248275 ♣	407S05	5.50	557

TXT805 Straight Bore Reducers ■ ○

Reducer Size	Part Number	AGMA Code	Actual Ratio	Weight
TXT805S	248277 ♣	407S05	5.50	557

Accessories for TXT805 Reducers

Description	Part Number	Weight
TA8 Standard Motor Mount (254T-365T)	248401	119
TAB8 Bottom Motor Mount (213T-365T) ♣ ♣	248406	120
TXT805 Backstop Assembly	250260	5.6
Optional Filter Breather (1/2-14 NPT)	430049	.2
TXT8S TA Reducer Belt Guard (213T-365T)	248397	125
TXT8 Cooling Fan Assembly	272327	9
TXT8 Taconite Auxiliary Seal Kit ♥	272452	26.3
TXT8 Lube Kit	LUBEKITTXT805	45.1

TXT8 Bushing Assemblies ●

Stock Bore Size	Part Number		Shaft Keyseat Required †		Weight	
	Tapered Bushing	Straight Bore Bushing	Tapered Bushing	Straight Bore Bushing	Tapered Bushing	Straight Bore Bushing
4-7/16 (Max.)	272035	◆	1 x 1/2 x 13-1/16	1 x 1/2 x 6-7/8	15	-
4-3/16	272034	248424	1 x 1/2 x 13-1/16	1 x 1/2 x 6-7/8	17	6.8
3-15/16	272033	248423	1 x 1/2 x 13-1/16	1 x 1/2 x 6-7/8	20	8.0
3-7/16 ▲	272032	248422	7/8 x 7/16 x 13-1/16	7/8 x 7/16 x 6-7/8	25	12
2-15/16 ▲	272048	248420	3/4 x 3/8 x 13-1/16	3/4 x 3/8 x 4-3/8	29	19

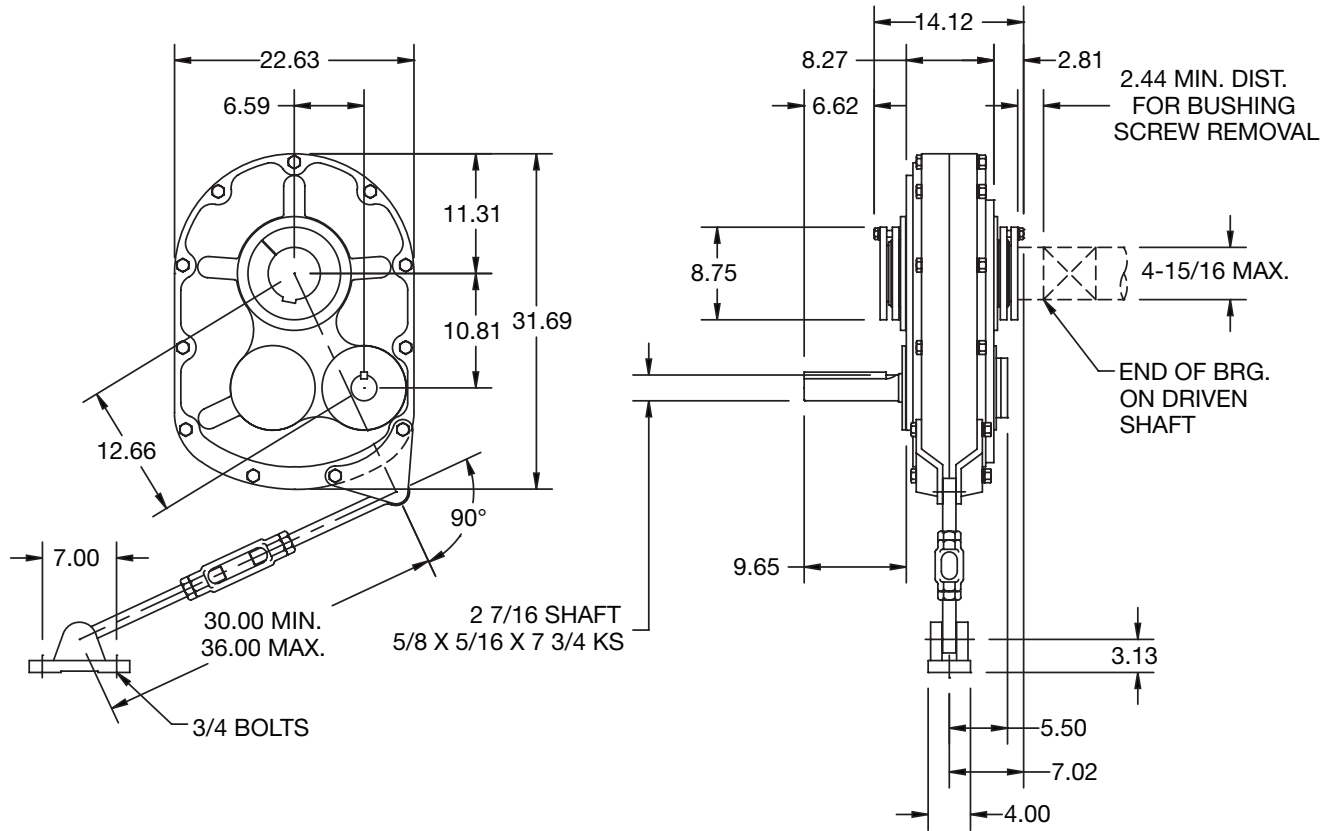
- ♣ DODGE standard belt guard will not fit this motor mount
- † Shaft key furnished.
- ▲ Check the driven shaft and key for strength.
- ◆ Preferred bore. No bushing required for this bore size.
- Stock TXT8 Reducers are drilled for vertical mounting.
- ♣ Made to order

- See pages G2-174 and G2-175 for reducer part numbers and drill and tap dimensions for Flange Mount TXT Reducers. Now available only as special factory order.
- Taper Bushed Reducers require bushing for all bore sizes.
- ♥ Use with Taper Bushed Reducer only. See page G2-176 for drill and tap information required to mount to reducer.

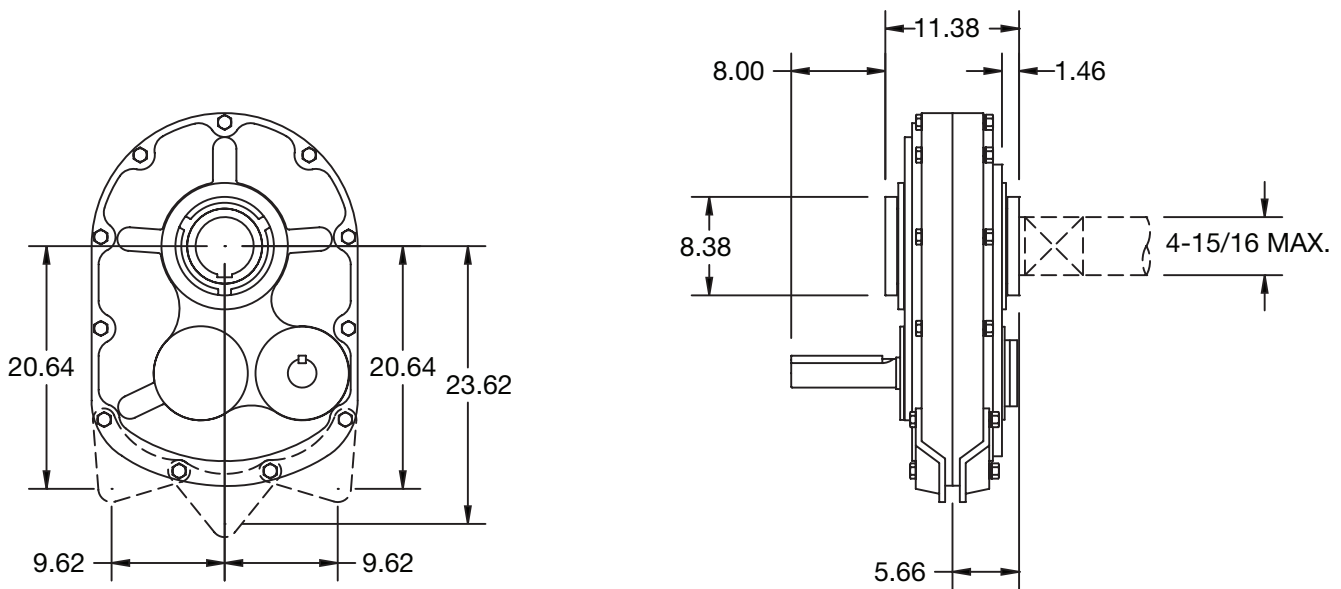


SELECTION/DIMENSIONS

TORQUE-ARM Shaft Mount Speed Reducers TXT9A - Double Reduction Taper Bushed



TXT9A - Double Reduction Straight Bore



FEATURES/BENEFITS PAGE G2-2	SPECIFICATION PAGE G2-9	MODIFICATION/ACCESSORIES PAGE G2-71	RELATED PRODUCTS PAGE G2-152
--------------------------------	----------------------------	--	---------------------------------



SELECTION/DIMENSIONS

TORQUE-ARM Shaft Mount Speed Reducers

TXT9A Taper Bushed Reducers ■ ○

Reducer Size	Part Number	AGMA Code	Actual Ratio	Weight
TXT915AT	249269	415D15	15.12	760
TXT926AT	249270	415D26	25.66	760

TXT9A Straight Bore Reducers ■ ○

Reducer Size	Part Number	AGMA Code	Actual Ratio	Weight
TXT915AS	249273 ♣	415D15	15.12	760
TXT926AS	249274	415D26	25.66	760

Accessories for TXT9A Reducers

Description	Part Number	Weight
TA9 Standard Motor Mount (213T-365T)	249401	120
TA9 Special Motor Mount (404T-405T) ♣ ♣	249399	125
TAB9 Bottom Motor Mount (213T-365T) ♣ ♣	249404	125
TXT9 Backstop Assembly	249260	3.8
Optional Filter Breather (1/2-14 NPT)	430049	.2
TXT9D TA Reducer Belt Guard (213T-365T)	249395	125
TXT9 Cooling Fan Assembly	272328	15
TXT9 Taconite Auxiliary Seal Kit ♥	272453	32.6
TXT9 Lube Kit	LUBEKITXT9	53.2

TXT9 Bushing Assemblies ●

Stock Bore Size	Part Number		Shaft Keyseat Required †		Weight	
	Tapered Bushing	Straight Bore Bushing	Tapered Bushing	Straight Bore Bushing	Tapered Bushing	Straight Bore Bushing
4-15/16 (Max.)	272080	◆	1-1/4 x 5/8 x 12-15/16	1-1/4 x 5/8 x 11-3/8	22	-
4-7/16	272079	249422	1 x 1/2 x 12-15/16	1 x 1/2 x 11-3/8	27	12.5
3-15/16 ▲	272077	249421	1 x 1/2 x 12-15/16	1 x 1/2 x 11-3/8	32.4	26
3-7/16 ▲	272056	249420	7/8 x 7/16 x 12-15/16	7/8 x 7/16 x 5	36	28

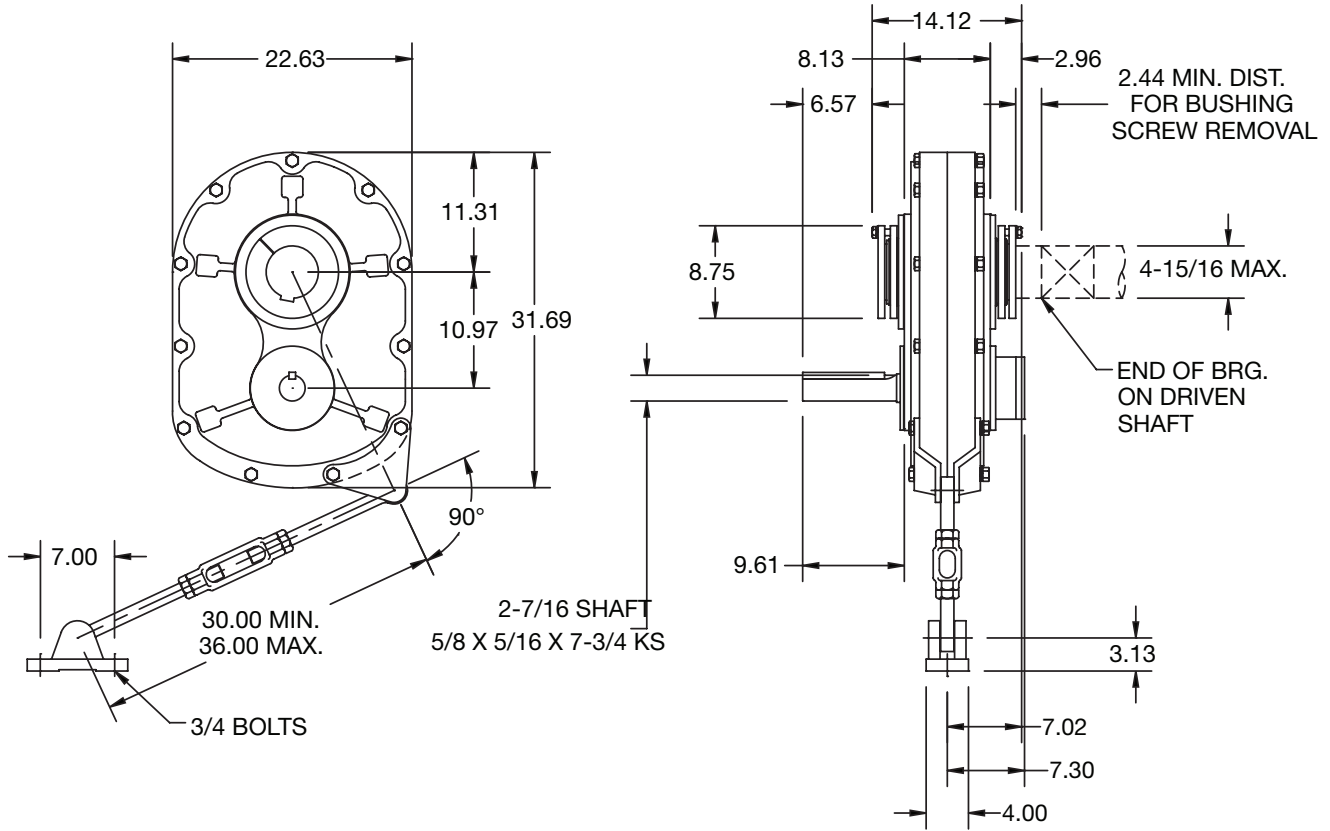
- ♣ DODGE standard belt guard will not fit this motor mount
- † Shaft key furnished.
- ▲ Check the driven shaft and key for strength.
- ◆ Preferred bore. No bushing required for this bore size.
- Stock TXT9 Reducers are drilled for vertical mounting.
- ♣ Made to order

- See pages G2-174 and G2-175 for reducer part numbers and drill and tap dimensions for Flange Mount TXT Reducers. Now available only as special factory order.
- Taper Bushed Reducers require bushing for all bore sizes.
- ♥ Use with Taper Bushed Reducer only. See page G2-176 for drill and tap information required to mount to reducer.

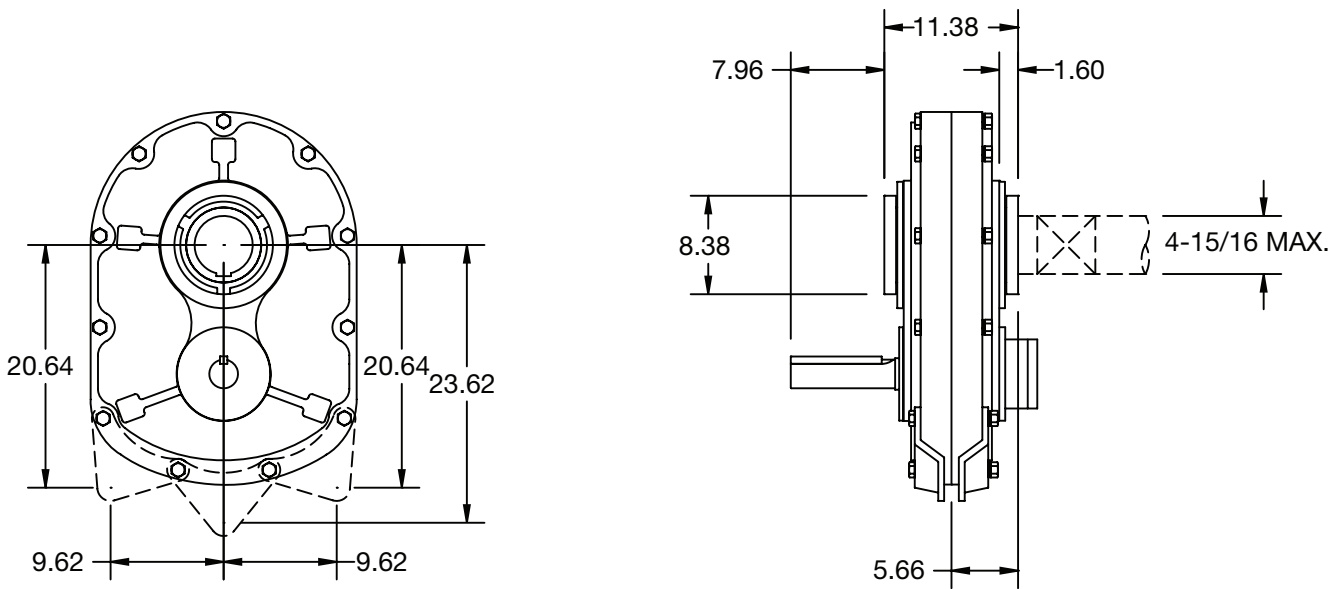


SELECTION/DIMENSIONS

TORQUE-ARM Shaft Mount Speed Reducers TXT905 - Single Reduction Taper Bushed



TXT905 - Single Reduction Straight Bore



FEATURES/BENEFITS PAGE G2-2	SPECIFICATION PAGE G2-9	MODIFICATION/ACCESSORIES PAGE G2-71	RELATED PRODUCTS PAGE G2-152
--------------------------------	----------------------------	--	---------------------------------



SELECTION/DIMENSIONS

TORQUE-ARM Shaft Mount Speed Reducers

TXT905 Taper Bushed Reducers ■ ○

Reducer Size	Part Number	AGMA Code	Actual Ratio	Weight
TXT905T	249265 ♣	415S05	5.38	668

TXT905 Straight Bore Reducers ■ ○

Reducer Size	Part Number	AGMA Code	Actual Ratio	Weight
TXT905S	249267 ♣	415S05	5.38	668

Accessories for TXT905 Reducers

Description	Part Number	Weight
TA9 Standard Motor Mount (284T-365T)	249401	120
TA9 Special Motor Mount (404T-445T) ♣ ♣	249399	125
TAB9 Bottom Motor Mount (213T-365T) ♣ ♣	249404	125
TXT905 Backstop Assembly	272259	6.7
Optional Filter Breather (1/2-14 NPT)	430049	.2
TXT9-S TA Reducer Belt Guard (213T-365T)	249397	156
TXT905 Cooling Fan Assembly ♣	272324	15
TXT9 Taconite Auxiliary Seal Kit ♥	272453	32.6
TXT9 Lube Kit	LUBEKITTXT905	64.8

TXT9 Bushing Assemblies ●

Stock Bore Size	Part Number		Shaft Keyseat Required †		Weight	
	Tapered Bushing	Straight Bore Bushing	Tapered Bushing	Straight Bore Bushing	Tapered Bushing	Straight Bore Bushing
4-15/16 (Max.)	272080	◆	1-1/4 x 5/8 x 12-15/16	1-1/4 x 5/8 x 11-3/8	22	-
4-7/16	272079	249422	1 x 1/2 x 12-15/16	1 x 1/2 x 11-3/8	27	12.5
3-15/16 ▲	272077	249421	1 x 1/2 x 12-15/16	1 x 1/2 x 11-3/8	32.4	26
3-7/16 ▲	272056	249420	7/8 x 7/16 x 12-15/16	7/8 x 7/16 x 5	36	28

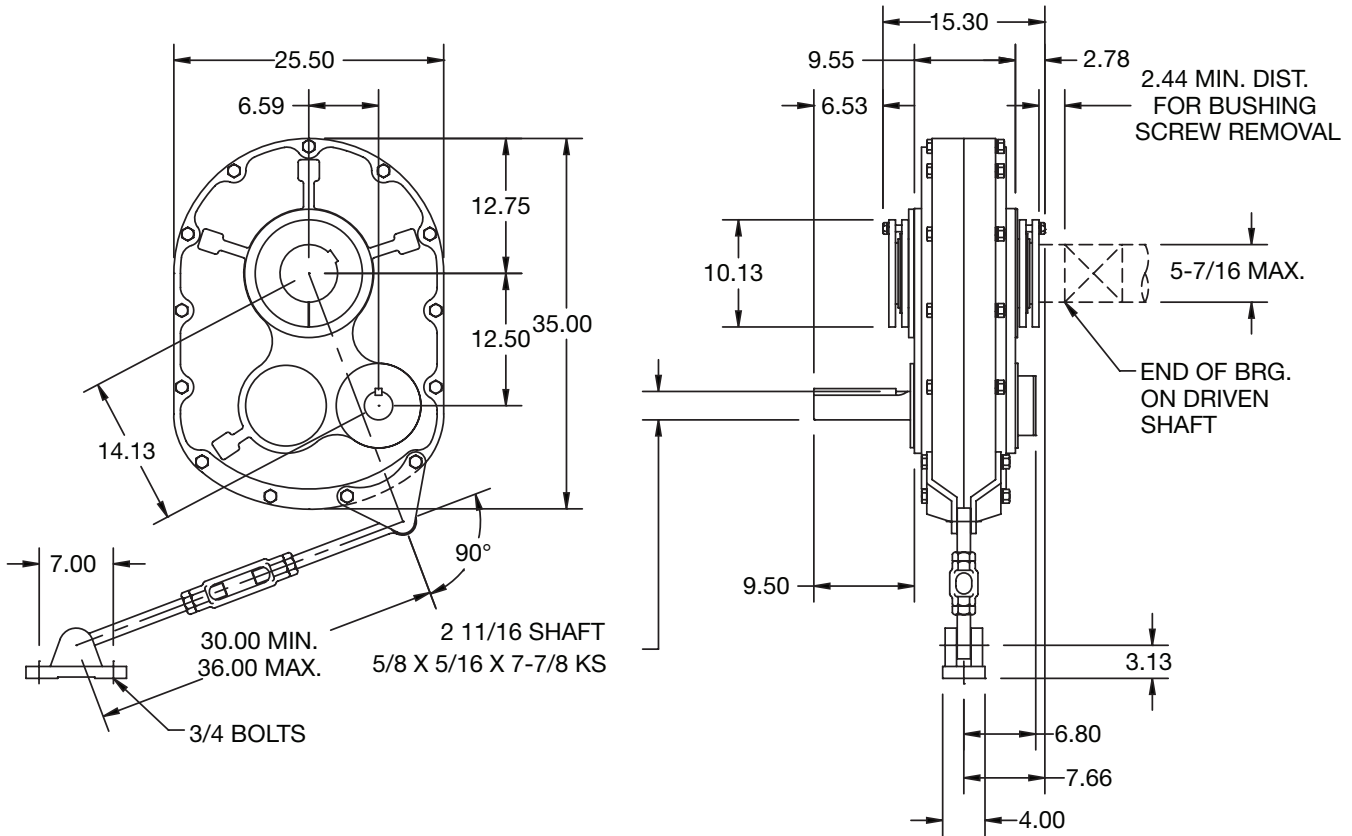
- ♣ DODGE standard belt guard will not fit this motor mount
- † Shaft key furnished.
- ▲ Check the driven shaft and key for strength.
- ◆ Preferred bore. No bushing required for this bore size.
- Stock TXT9 Reducers are drilled for vertical mounting.
- ♣ Made to order

- See pages G2-174 and G2-175 for reducer part numbers and drill and tap dimensions for Flange Mount TXT Reducers. Now available only as special factory order.
- Taper Bushed Reducers require bushing for all bore sizes.
- ♥ Use with Taper Bushed Reducer only. See page G2-176 for drill and tap information required to mount to reducer.

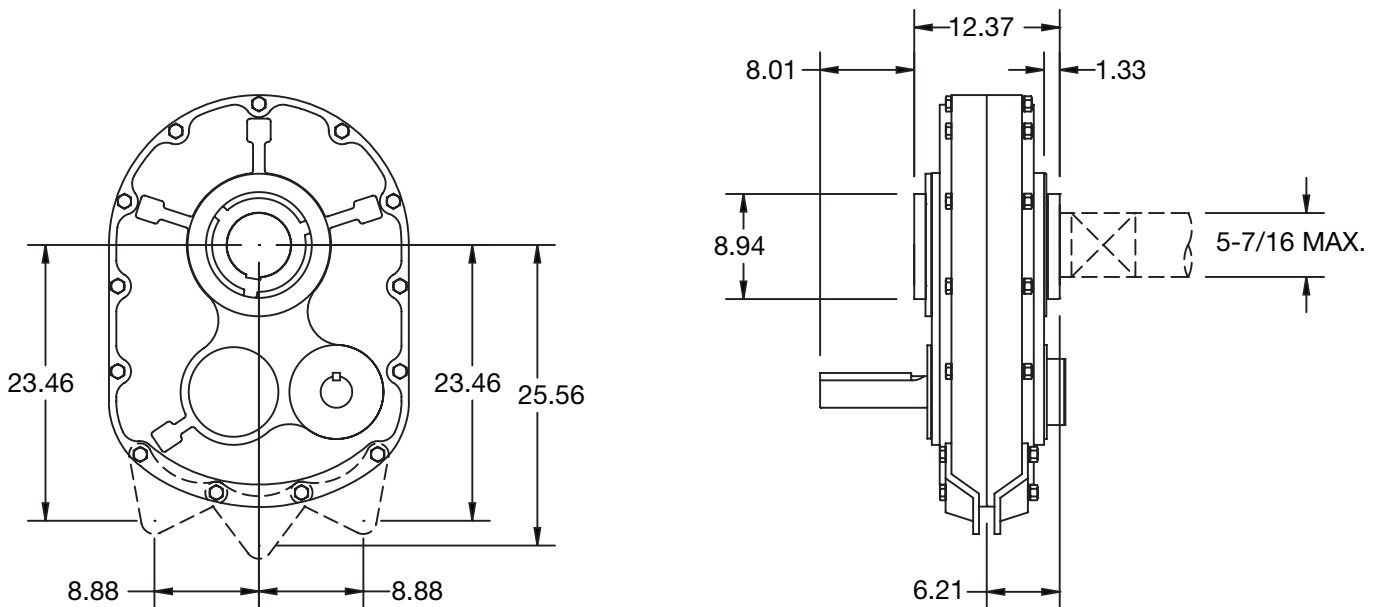


SELECTION/DIMENSIONS

TORQUE-ARM Shaft Mount Speed Reducers
TXT10A - Double Reduction Taper Bushed



TXT10A - Double Reduction Straight Bore





SELECTION/DIMENSIONS

TORQUE-ARM Shaft Mount Speed Reducers

TXT10A Taper Bushed Reducers ■ ○

Reducer Size	Part Number	AGMA Code	Actual Ratio	Weight
TXT1015AT	272600	507D15	15.16	1020
TXT1024AT	272601	507D24	24.30	1020

TXT10A Straight Bore Reducers ■ ○

Reducer Size	Part Number	AGMA Code	Actual Ratio	Weight
TXT1015AS	272604 ♣	507D15	15.16	1020
TXT1024AS	272605 ♣	507D24	24.30	1020

Accessories for TXT10A Reducers

Description	Part Number	Weight
TA10 Standard Motor Mount (254T-365T)	250401	130
TA10 Special Motor Mount (404T-445T)	250404	150
TAB10 Bottom Motor Mount (254T-365T) ♠ ♣	250411	150
TXT10 Backstop Assembly	250260	5.60
Optional Filter Breather (1/2-14 NPT)	430049	0.20
TXT10D TA Reducer Belt Guard (254T-445T)	250395	140
TXT10 Cooling Fan Assembly	272329	15
TXT10 Taconite Auxiliary Seal Kit ♥	272454	35.80
TXT10 Lube Kit	LUBEKITXT10	89.1

TXT10 Bushing Assemblies ●

Stock Bore Size	Part Number		Shaft Keyseat Required †		Weight	
	Tapered Bushing	Straight Bore Bushing	Tapered Bushing	Straight Bore Bushing	Tapered Bushing	Straight Bore Bushing
5-7/16 (Max.)	272240	◆	1-1/4 x 5/8 x 14-1/16	1-1/4 x 5/8 x 12-3/8	26.50	-
4-15/16	272239	250422	1-1/4 x 5/8 x 14-1/16	1-1/4 x 5/8 x 12-3/8	33.50	12.90
4-7/16 ▲	272238	250421	1 x 1/2 x 14-1/16	1 x 1/2 x 12-3/8	38.40	31.40
3-15/16 ▲	272214	250420	1 x 1/2 x 14-1/16	1 x 1/2 x 6-5/8	44	33

- ♠ DODGE standard belt guard will not fit this motor mount
- † Shaft key furnished.
- ▲ Check the driven shaft and key for strength.
- ◆ Preferred bore. No bushing required for this bore size.
- Stock TXT10 Reducers are drilled for vertical mounting.
- ♣ Made to order

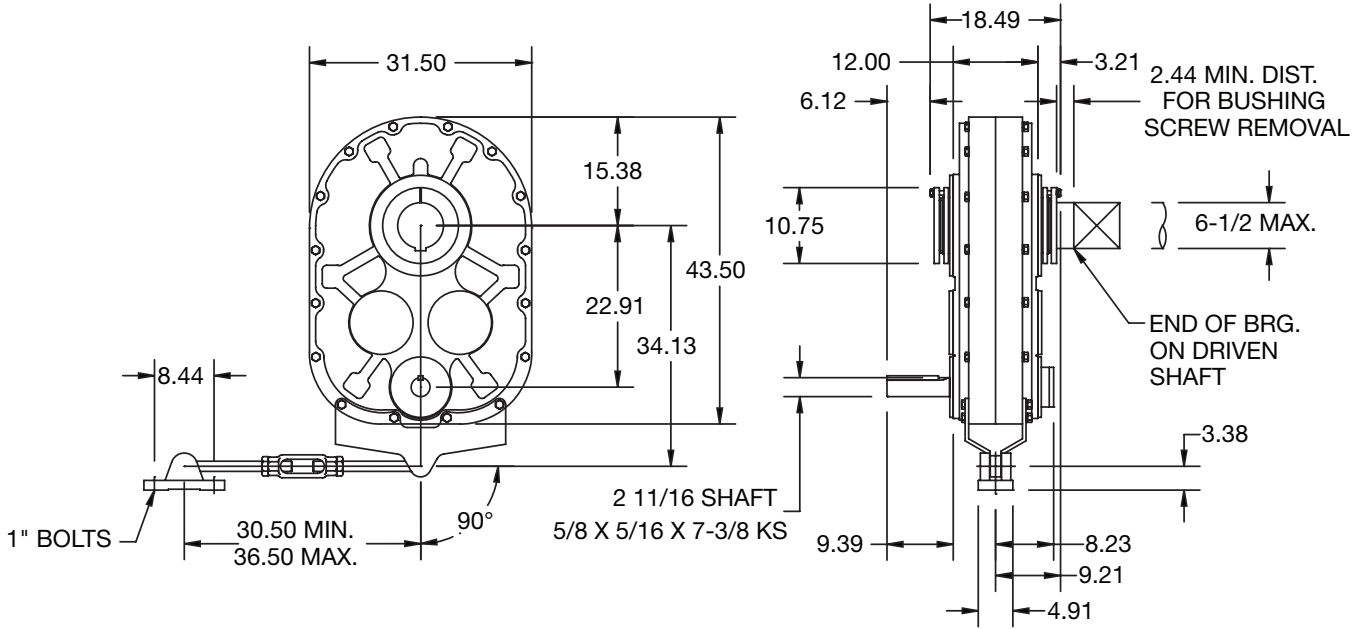
- See pages G2-174 and G2-175 for reducer part numbers and drill and tap dimensions for Flange Mount TXT Reducers. Now available only as special factory order.
- Taper Bushed Reducers require bushing for all bore sizes.
- ♥ Use with Taper Bushed Reducer only. See page G2-176 for drill and tap information required to mount to reducer.

FEATURES/BENEFITS PAGE G2-2	SPECIFICATION PAGE G2-9	MODIFICATION/ACCESSORIES PAGE G2-71	RELATED PRODUCTS PAGE G2-152
--------------------------------	----------------------------	--	---------------------------------



SELECTION/DIMENSIONS

TORQUE-ARM Shaft Mount Speed Reducers TXT12 - Double Reduction Taper Bushed



TXT12 Taper Bushed Reducers □

Reducer Size	Part Number	AGMA Code	Actual Ratio	Weight
TXT1215TV	272615 ♣	608D15	14.89	2042
TXT1225TV	272617	608D25	24.65	2042

TXT12 Accessories

Description	Part Number	Weight
TA12 Standard Motor Mount (286T-445T)	272310	255
TXT12 Backstop Assembly	250260	5.6
Optional Filter Breather (1/2-14 NPT)	430049	.2
TXT12 Cooling Fan Assembly	272330	15
Heat Exchanger Cooling Package	014148	55
TXT12 Taconite Auxiliary Seal Kit	272455	67.8
TXT12D TA Reducer Belt Guard (320T-445T) ♣	272688	170
TXT12 Lube Kit	LUBEKITTXT12	202.5

TXT12 Tapered Bushing Assemblies ●

Stock Bore Size	Part Number	Shaft Keyseat Required †	Weight
6-1/2 (Max.)	272219	1-1/2 x 3/4 x 17-5/16	37.4
6-7/16	272218	1-1/2 x 3/4 x 17-5/16	38.4
6	272217	1-1/2 x 3/4 x 17-5/16	46.2
5-15/16	272216	1-1/2 x 3/4 x 17-5/16	47.3
5-7/16 ▲	272215	1-1/4 x 5/8 x 17-5/16	53.1

† Shaft key furnished.

▲ Check the driven shaft and key for strength.

♣ Made to order

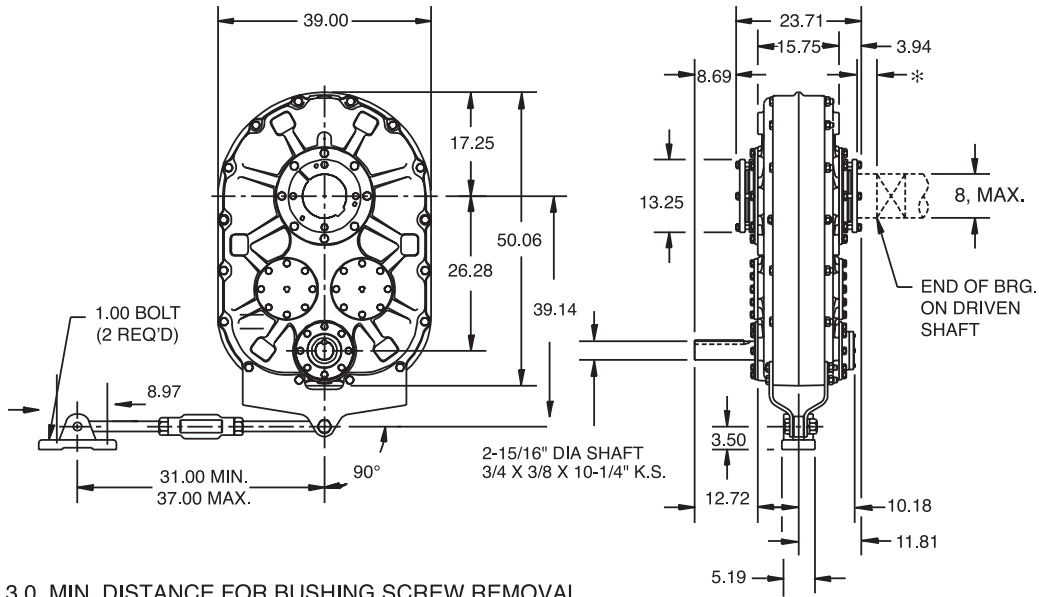
□ Reducers are supplied already drilled and tapped for vertical mounting and flange mounting. See page G2-173 for Flange Mounting dimensions

● Taper Bushed Reducers require bushing for all bore sizes.



SELECTION/DIMENSIONS

TORQUE-ARM Shaft Mount Speed Reducers TDT14 - Double Reduction Taper Bushed



* 3.0, MIN. DISTANCE FOR BUSHING SCREW REMOVAL.

TDT14 Taper Bushed Reducer □

Reducer Size	Part Number	AGMA Code	Actual Ratio	Weight
TDT1425T	272150 ♣	800D25	24.80	3436

TDT14 Accessories

Description	Part Number	Weight
TA14 Standard Motor Mount (324T-447T)	272318	295
TDT14 Backstop Assembly	272293	13.4
Optional Filter Breather (1/2-14 NPT)	430049	.2
TDT14 Cooling Fan Assembly	272332	20
Heat Exchanger Cooling Package	014148	55
TDT14 Taconite Auxiliary Seal Kit ♣	272457	131
TDT14 Lube Kit	LUBEKITTXT14	307.8

TDT14 Tapered Bushing Assemblies ●

Stock Bore Size	Part Number	Shaft Keyseat Required †	Weight
8 (Max.)	272194 ♣	2 x 3/4 x 22-1/4	135
7 ▲	272193 ♣	1-3/4 x 3/4 x 22-1/4	144
6-1/2 ▲	272192 ♣	1-1/2 x 3/4 x 22-1/4	162.1
6 ▲	272191 ♣	1-1/2 x 3/4 x 22-1/4	188

† Shaft key furnished.

▲ Check the driven shaft and key for strength.

♣ Made to order

□ Reducers are supplied already drilled and tapped for vertical mounting and flange mounting. See page G2-173 for Flange Mounting dimensions

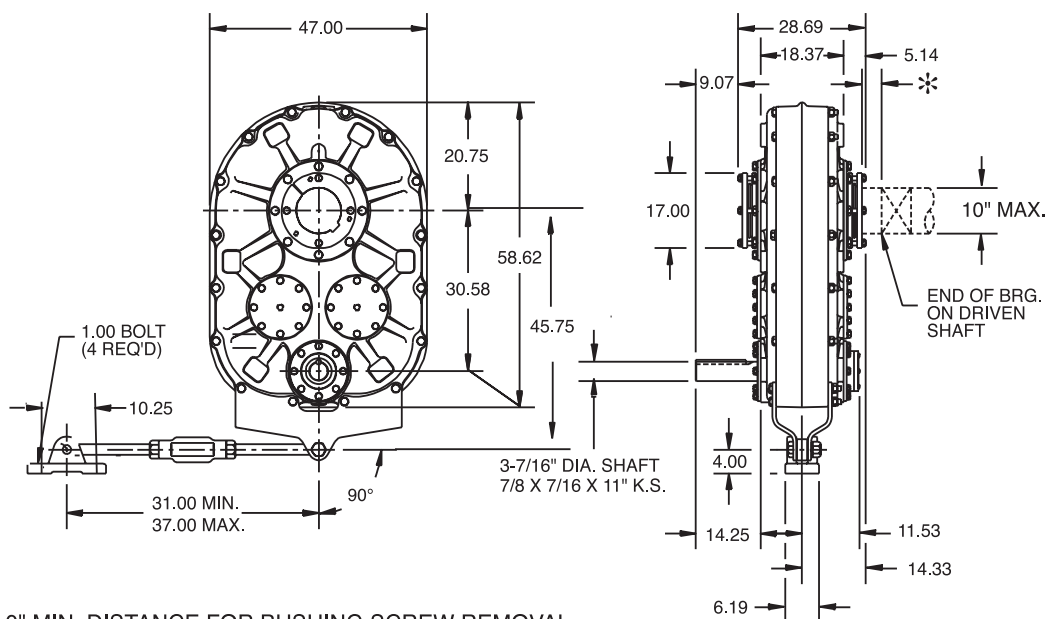
● Taper Bushed Reducers require bushing for all bore sizes.



SELECTION/DIMENSIONS

TORQUE-ARM Shaft Mount Speed Reducers

TDT15 - Double Reduction Taper Bushed



* 3.0" MIN. DISTANCE FOR BUSHING SCREW REMOVAL.

TDT15 Taper Bushed Reducer

Reducer Size	Part Number	AGMA Code	Actual Ratio	Weight
TDT1530T	272370 ♣	1000D30	30.64	5622

TDT15 Accessories

Description	Part Number	Weight
TA15 Standard Motor Mount (405T-449T) ♣	272392	300
TDT15 Backstop Assembly	272293	13.40
Optional Filter Breather (1/2-14 NPT)	430049	0.20
TDT15 Cooling Fan Assembly	272333	23
Heat Exchanger Cooling Package	014148	55
TDT15 Taconite Auxiliary Seal Kit ♣	272458	180
TDT15 Lube Kit	LUBEKITXT15	575.1

TDT15 Tapered Bushing Assemblies ●

Stock Bore Size	Part Number	Shaft Keyseat Required †	Weight
10 (Max.)	272395	2-1/2 x 7/8 x 27-5/16	202
9 ▲	272396	2 x 3/4 x 27-5/16	267
8-1/2 ▲	272397	2 x 3/4 x 27-5/16	300
8 ▲	272398 ♣	2 x 3/4 x 27-5/16	307

† Shaft key furnished.

▲ Check the driven shaft and key for strength.

♣ Made to order

□ Reducers are supplied already drilled and tapped for vertical mounting and flange mounting. See page G2-175 for Flange Mounting dimensions

● Taper Bushed Reducers require bushing for all bore sizes.

MODIFICATIONS/ ACCESSORIES



TORQUE-ARM Shaft Mount Speed Reducers

Table 5- Dodge Torque-Arm Reducers And Accessories Compatibility

TXT Reducer	Maximum Bore	AGMA Code	Input HP @75 RPM Output 15, 25:1	Input HP @100 RPM Output 5:1	Taper Bushed	Straight Bore	HYDROIL Style	Vertical Style	Motor Mount	Backstop	Taconite Auxiliary Seals	Belt Guards
TXT1	1-7/16"	107	4.15	4.49	Yes	Yes	Yes	Yes	Yes	Yes	Yes	Yes
TXT2	1-15/16"	115	7.52	7.70	Yes	Yes	Yes	Yes	Yes	Yes	Yes	Yes
TXT3	2-3/16"	203	12.7	11.7	Yes	Yes	Yes	Yes	Yes	Yes	Yes	Yes
TXT4	2-7/16"	207	19.3	19.6	Yes	Yes	Yes	Yes	Yes	Yes	Yes	Yes
TXT5	2-15/16"	215	29.9	25.0	Yes	Yes	Yes	Yes	Yes	Yes	Yes	Yes
TXT6	3-7/16"	307	50.3	51.6	Yes	Yes	Yes	Yes	Yes	Yes	Yes	Yes
TXT7	3-15/16"	315	72.3	87.4	Yes	Yes	Yes	Yes	Yes	Yes	Yes	Yes
TXT8	4-7/16"	407	106.9	111.0	Yes	Yes	-	Yes	Yes	Yes	Yes	Yes
TXT9	4-15/16"	415	154.7	140.0	Yes	Yes	-	Yes	Yes	Yes	Yes	Yes
TXT10	5-7/16"	507	216.0	-	Yes	Yes	-	Yes	Yes	Yes	Yes	Yes
TXT12	6-1/2"	608	275.0	-	Yes	-	-	Yes	Yes	Yes	Yes	Yes
TDT13	7"	700	374.0	-	Yes	-	-	Yes	Yes	Yes	Yes	Yes
TDT14	8"	800	561.0	-	Yes	-	-	Yes	Yes	Yes	Yes	Yes
TDT15	10"	1000	-	-	Yes	-	-	Yes	Yes	Yes	Yes	Yes

Table 6 - Dodge Screw Conveyor Drive Reducers And Accessories Compatibility

SCXT Reducer	AGMA Code	Input HP@ 75 RPM Output 15,25:1	Input HP@100 RPM Output 5:1	HYDROIL Style	Drive Shafts	Adapter	Motor Mount	Taconite Auxiliary Seals	Belt Guards
SCXT1	107	4.15	4.49	Yes	Yes	Yes	Yes	Yes	Yes
SCXT2	115	7.52	7.70	Yes	Yes	Yes	Yes	Yes	Yes
SCXT3	203	12.70	11.70	Yes	Yes	Yes	Yes	Yes	Yes
SCXT4	207	19.30	19.60	Yes	Yes	Yes	Yes	Yes	Yes
SCXT5	215	29.90	25.00	Yes	Yes	Yes	Yes	Yes	Yes
SCXT6	307	50.30	51.60	Yes	Yes	Yes	Yes	Yes	Yes
SCXT7	315	72.30	87.40	Yes	Yes	Yes	Yes	Yes	Yes
SCXT8	407	106.90	111.00	-	Yes	Yes	Yes	Yes	Yes

Table 7 - NEMA Motor Information (1750 RPM)

Horsepower	NEMA Motor Frame	Shaft Diameter	Minimum Sheave Diameters
1	143T	7/8	2.2
1-1/2	145T	7/8	2.4
2	145T	7/8	2.4
3	182T	1-1/8	2.4
5	184T	1-1/8	3.0
7-1/2	213T	1-3/8	3.0
10	215T	1-3/8	3.8
15	254T	1-5/8	4.4
20	256T	1-5/8	4.4
25	284T	1-7/8	4.4
30	286T	1-7/8	5.2
40	324T	2-1/8	6.0
50	326T	2-1/8	6.8
60	364T	2-3/8	7.4
75	365T	2-3/8	8.6
100	+405T	2-7/8	8.6
125	+444T	3-3/8	10.5
150	+445T	3-3/8	10.5
200	+447T	3-3/8	13.2

Table 8 - Minimum Sheave Diameters For Dodge TORQUE-ARM Reducers

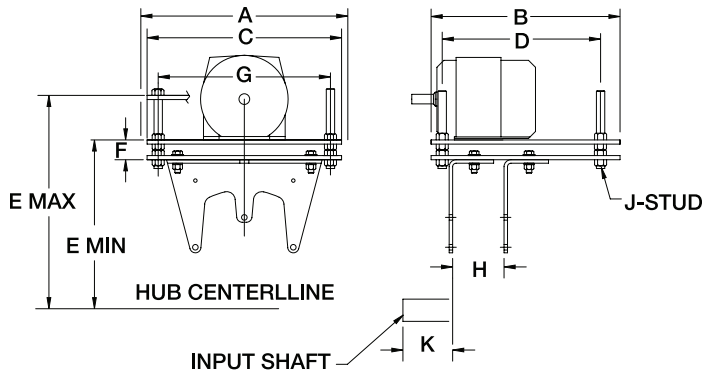
TXT, SCXT Reducer	Single Reduction		Double Reduction			
	Shaft Diameter	5:1	Shaft Diameter	9:1	15:1	25:1
1	1-1/8	4.0	3/4	4.0	3.0	3.0
2	1-7/16	3.0	1-1/8	5.0	3.0	3.0
3	1-5/8	7.0	1-1/4	5.0	4.0	4.0
4	1-15/16	7.5	1-7/16	6.5	4.6	4.6
5	2-3/16	9.5	1-15/16	7.0	5.4	5.4
6	2-3/16	6.5	2-3/16	7.0	6.2	6.2
7	2-7/16	7.5	2-7/16	7.0	6.2	6.2
8	2-7/16	9.2	2-7/16		6.2	6.2
9	2-7/16	9.5	2-7/16		8.0	8.0
10			2-11/16		8.5	8.5
12			2-11/16		9.5	9.5
13			2-15/16			12.0
14			2-15/16			15.0
15			3-7/16			20.0

+ Energy Efficient (TEFC-XE) Frame

FEATURES/BENEFITS PAGE G2-2	SPECIFICATION PAGE G2-9	RELATED PRODUCTS PAGE G2-152	RENEWAL PARTS PAGE G2-166
--------------------------------	----------------------------	---------------------------------	------------------------------



TORQUE-ARM Shaft Mount Speed Reducers



TA MOTOR MOUNTS

The TA Motor Mount is a rugged all steel unit which requires no drilling and no foundation. It bolts directly to the top of the TORQUE-ARM reducer and can be located in any position around the shaft. It permits easy belt tensioning.

Each motor mount accommodates a wide variety of NEMA motor frames - see table below.

All motor mount fasteners are supplied with zinc-plated finish as standard. Bolt hole configuration will also allow this mount to fasten to the top of a Screw Conveyor Drive reducer of equivalent size.

TORQUE-ARM Motor Mounts - TA1M Thru TA7M

Motor Mount No. ■	Part Number ●	Wt.	Reducer Size	NEMA Motor Frame	A	B	C	D	E ◆		G	H	J	K
									Min	Max				
TA1M	241391	37	TXT1A	56T - 215T	14.63	11.00	13.50	9.25	10.03	14.18	12.00	3.38	5/8 x 7	3.88
			TXT2A						10.59	14.75				4.18
TA3M	243391	40	TXT3B	56T - 215T	14.63	11.00	13.50	9.25	11.59	15.78	12.00	4.25	5/8 x 7	4.88
	243393 ▲	70		254T - 256T	18.63	17.00	17.50	14.25	11.59	15.78			15.50	
TA4M	244391	75	TXT4B	143T - 286T	18.63	17.00	17.50	14.25	11.96	16.73	15.50	4.63	3/4 x 8	6.13
TA5M	245391	76	TXT5C	143T - 286T	18.63	17.00	17.50	14.25	12.53	17.28	15.50	4.13	3/4 x 8	6.65
	245393 ▲ ♣			324T - 326T	20.50	18.50	19.25	16.50	12.53	17.28			17.50	
TA6M	246391	99	TXT6A	143T - 326T	20.50	18.50	19.25	16.50	14.56	19.31	17.50	4.50	3/4 x 8	7.31
TA7M	247395	110	TXT7A	143T - 365T	22.50	19.00	21.25	16.50	17.62	22.13	19.25	4.75	1 x 9	7.81

V-Belt Drive Center Distances For TA1M Thru TA7M TORQUE-ARM Motor Mounts

Motor Mount No.	Reducer Size	Center Distances For Various NEMA Motor Frames															
		56		140		180		210		250		280		320		360	
		Min	Max	Min	Max	Min	Max	Min	Max	Min	Max	Min	Max	Min	Max	Min	Max
TA1M	TXT1A	17.6	21.0	17.6	21.0	18.5	22.0	19.3	22.7								
	TXT2A	18.7	22.1	18.7	22.1	19.7	23.1	20.5	23.9								
TA3M	TXT3B	20.2	23.6	20.2	23.6	21.2	24.6	22.0	25.3	23.0	26.3						
TA4M	TXT4B			21.2	25.2	22.2	26.2	23.0	26.9	23.9	27.9	24.7	28.7				
TA5M	TXT5C			22.7	26.6	23.7	27.6	24.4	28.4	25.4	29.4	26.2	30.1	27.2	31.1		
TA6M	TXT6A			25.9	29.7	26.9	30.7	27.6	31.4	28.6	32.4	29.4	33.2	30.4	34.2		
TA7M	TXT7A			30.6	34.4	31.6	35.4	32.4	36.2	33.4	37.2	34.1	37.9	35.1	38.9	36.1	40.0

■ Can be used with any ratio TORQUE-ARM Reducer (5, 9, 15, 25)

♣ Made to order

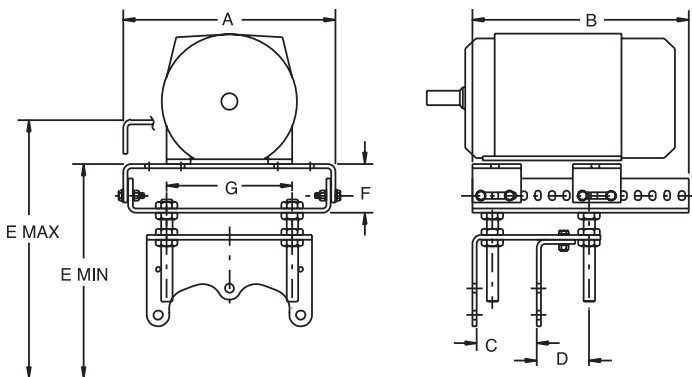
● Necessary mounting bolts are included

▲ Made to order belt guards required for these motor mounts. Consult DODGE.

◆ Provides for V-belt adjustment



TORQUE-ARM Shaft Mount Speed Reducers



TORQUE-ARM Motor Mounts - TA8 Thru TA15

Motor Mount No.	Part Number	Wt.	Reducer Size	Nominal Ratio	NEMA Motor Frame	A	B	C	D	E ♦		F	G
										Min	Max		
TA8	248401 ■	119	TXT8A	15, 25 5	213T - 365T 254T - 365T	18.63	19	5.25	4.36	19.4	23.9	4.25	11
TA9	249401 ■	120	TXT9A	15, 26 5	213T - 365T 284T - 365T	18.63	19	5.25	4.63	21.46	25.9	4.25	11
	249399 ♣ ▲	125		15, 26	404T - 445T	25.06	24			20.21	24.71	3.81	
TA10	250401	130	TXT10A	15, 24	254T - 365T	18.63	19	6	3.88	22.6	27.09	4.25	11
	250404	200			404T - 445T	25.06	24	6	3.88	21.86	27.38	3.81	18.5
TA12	272310	255	TXT12	15, 25	286T - 445T	25.06	24	7.63	5.25	25.65	31.13	3.81	18.5
TA13	272313	290	TDT13	25	324T - 445T	25.06	24	8.75	8.63	25.65	31.13	3.81	18.5
TA14	272318	295	TDT14	25	324T - 447T	25.06	24	10	7.38	25.81	31.31	3.81	18.5
TA15	272392 ♣	320	TDT15	30	405T - 449T	25.06	24	12.63	5.75	33.5	39	3.81	18.5

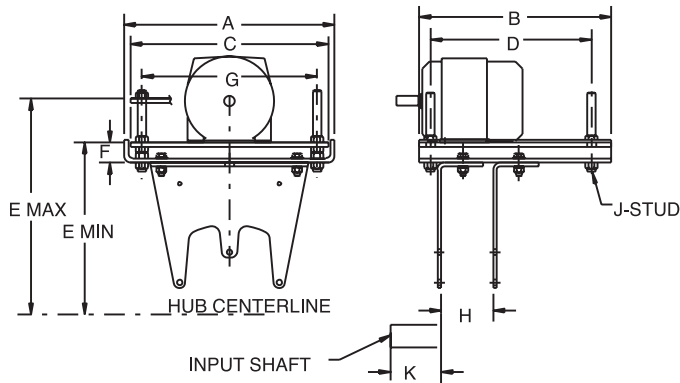
V-BELT Drive Center Distances For TA8 Thru TA15 TORQUE-ARM Motor Mounts

Motor Mount No.	Reducer Size	Nominal Ratio	Center Distances For Various NEMA Motor Frames													
			210		250		280		320		360		400		440	
			Min	Max	Min	Max	Min	Max	Min	Max	Min	Max	Min	Max	Min	Max
TA8	TXT8A	15, 25	35.5	40.5	36.4	41.2	37.2	42.2	38.2	43.2	39.2	44.2				
		5			37.2	41.5	37.9	42.3	38.9	43.3	39.9	44.3				
TA9	TXT9A	15, 26	38.0	43.0	39.0	44.0	39.8	44.7	40.7	45.7	41.7	46.7	42.8	47.7		
		5					40.5	44.8	41.5	45.8	42.5	46.8	43.5	47.8		
TA10	TXT10A	15, 24			42.6	47.5	43.3	48.2	44.3	49.2	45.3	50.2	45.8	50.7	47.3	51.7
TA12	TXT12	15, 25					57.0	61.0	57.7	62.1	58.7	63.1	59.7	64.1	60.7	65.1
TA13	TDT13	25							59.7	65.1	60.7	66.1	61.7	67.1	62.0	66.7
TA14	TDT14	25							61.7	67.1	62.7	68.1	63.7	69.1	64.7	70.1
TA15	TDT15	30											75.0	80.5	76.0	81.5

- Can be used with any ratio TORQUE-ARM reducer (5, 15, 25)
- Necessary mounting bolts are included
- ▲ Made to order belt guards required for these motor mounts. Consult DODGE.
- ♣ Made to order.
- ♦ Provides for V-belt adjustment



TORQUE-ARM Shaft Mount Speed Reducers



TAML Long Motor Mounts

The TAML Motor Mount has longer support brackets, which allows for more clearance between the conveyor pulley and the bottom plate of the motor mount. (Reference table below for clearance dimensions). The motor mount is a rugged all steel unit which requires no drilling and no foundation. It bolts directly to the top of the TORQUE-ARM reducer and can be located in any position around the shaft. It permits easy belt tensioning and accommodates a wide variety of NEMA motor frames.

All motor mount fasteners are supplied with zinc-plated finish as standard.

Bolt hole configuration will also allow this mount to fasten to the top of a Screw Conveyor Drive Reducer of equivalent size.

TORQUE-ARM Long Motor Mounts - TA3ML Thru TA7ML ▲†

Motor Mount No. ■	Part Number ●	Wt.	Reducer Size	NEMA Motor Frame	A	B	C	D	E ◆		F	G	H	J	K
									Min	Max					
TA3ML	243392 ♣	42	TXT3B	56T - 215T	14.63	11.00	13.50	9.25	14.59	18.72	1.59	12.00	4.25	5/8 x 7	4.88
TA4ML	244392	78	TXT4B	143T - 286T	18.63	17.00	17.50	14.25	16.46	21.20	1.78	15.50	4.63	3/4 x 8	6.13
TA5ML	245392	80	TXT5C	143T - 286T	18.63	17.00	17.50	14.25	19.28	24.03	1.84	15.50	4.13	3/4 x 8	6.65
TA6ML	246390	102	TXT6A	143T - 326T	20.50	18.50	19.25	16.50	28.56	33.30	1.84	17.50	4.50	3/4 x 8	7.31
TA7ML	247396 ♣	115	TXT7A	143T - 326T	22.50	19.00	21.25	16.50	32.46	37.20	1.84	19.25	4.75	3/4 x 8	7.81

V-BELT Drive Center Distances For TA3ML Thru TA7ML TORQUE-ARM Long Motor Mounts

Motor Mount No.	Reducer Size	Center Distances For Various NEMA Motor Frames													
		56		140		180		210		250		280		320	
		Min	Max	Min	Max	Min	Max	Min	Max	Min	Max	Min	Max	Min	Max
TA3ML	TXT3B	23.1	26.5	23.1	26.5	24.1	27.5	24.9	28.3						
TA4ML	TXT4B			25.6	30.6	26.7	30.6	27.4	31.4	28.3	32.4	29.2	33.1		
TA5ML	TXT5C			29.4	33.4	30.4	34.3	31.1	35.1	32.1	36.1	32.9	36.8		
TA6ML	TXT6A					40.8	44.6	41.6	45.4	42.6	46.4	43.3	47.1	44.3	48.1
TA7ML	TXT7A					47.0	50.8	47.7	51.5	48.7	52.5	49.5	53.3	50.5	54.3

Clearance Dimensions ■

Reducer	Motor Mount	Clearance Dimensions (1)
TXT1A	TA1M	7.63
TXT2A	TA1M	8.25
TXT3B	TA3M	9.25
TXT4B	TA4M	9.44
TXT5C	TA5M	10.00
TXT6A	TA6M	11.97
TXT7A	TA7M	14.38

■ Can be used with any ratio TORQUE-ARM Reducer (5, 9, 15, 25)

● Necessary mounting bolts are included

▲ Made to order belt guards required for these motor mounts. Consult DODGE.

◆ Provides for V-belt adjustment

† Consult DODGE for Long Motor Mounts for reducers TXT8A and larger.

Clearance Dimensions ■

Reducer	Motor Mount	Clearance Dimensions (1)
TXT3B	TA3ML	12.25
TXT4B	TA4ML	13.94
TXT5C	TA5ML	16.75
TXT6A	TA6ML	25.96
TXT7A	TA7ML	29.88

(1) Distance from centerline of head shaft (reducer bore) and lowest component of motor mount hardware extending over top of conveyor

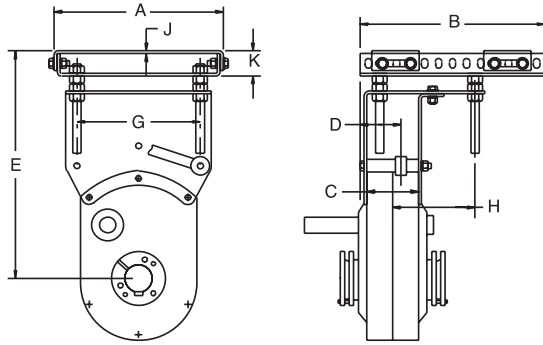
♣ Made to order



TORQUE-ARM Shaft Mount Speed Reducers

TAB BOTTOM MOTOR MOUNTS

For those applications where space constraints do not allow a DODGE TORQUE-ARM motor mount to be mounted from the top end of the reducer with our standard TORQUE-ARM motor mounts, TAB Bottom Motor Mounts are available. The TAB Motor Mount is a rugged all-steel unit which requires no drilling or foundation. It bolts directly to the bottom of a TORQUE-ARM reducer housing and also serves as a support member for the TORQUE-ARM rod assembly. Each mount accommodates a wide variety of NEMA AC motor frames. For initial belt installation, the adjusting screws can be set at a minimum position which offers adequate future V-belt adjustment.



TORQUE-ARM Bottom Motor Mounts - TAB 1 Thru TAB 10 ▲

Motor Mount No.	Part Number ●	Wt.	Reducer Size	Nominal Ratio	NEMA Motor Frame	A	B	C	D	E ◆		G	H	J	K
										Min	Max				
TAB1	241421 ♣	40	TXT1A	5, 9, 15, 25	56T - 215T	12-1/8	11-1/2	3-3/8	2-43/64	14-17/64	17-61/64	8	5-25/32	1/4	2-3/8
TAB2	242421 ♣	45	TXT2A	5, 9, 15, 25	56T - 215T	12-1/8	11-1/2	3-3/8	2-43/64	14-29/32	18-19/32	8	5-25/32	1/4	2-3/8
TAB3	243404 ♣	60	TXT3B	5, 9, 15, 25	143T - 286T	15-1/8	16-1/2	4-1/4	3-15/32	19-1/4	23-7/8	11	5-13/32	1/4	2-3/8
TAB4	244404 ♣	65	TXT4B	5, 9, 15, 25	143T - 145T 182T - 326T	15-1/8	16-1/2	4-5/8	5-13/32 3-21/32	20-13/32	25-1/32	11	5-1/32	1/4	2-3/8
TAB5	245405	70	TXT5C	5, 9, 15, 25	143T - 145T 182T - 326T	15-1/8	16-1/2	4-1/8	5-21/64 3-37/64	21-15/32	26-3/32	11	5-17/32	1/4	2-3/8
TAB6	246392	75	TXT6A	5, 9, 15, 25	182T - 215T 254T - 326T	15-1/8	16-1/2	4-1/2	5-5/32 3-13/32	24-1/4	28-13/16	11	5-17/16	1/4	2-3/8
TAB7	247404 ♣	85	TXT7A	5, 9, 15, 25	182T - 215T 254T - 326T	15-1/8	16-1/2	4-3/4	5-1/2 3-3/4	27-3/4	32-1/4	11	5-1/8	1/4	2-3/8
TAB8	248406 ♣	90	TXT8A	5, 15, 25	213T - 256T 284T - 365T	15-1/8	19	5-1/4	3-5/8 3-7/8	33-13/32	37-25/32	11	4-5/8	3/8	4-1/4
TAB9	249404 ♣	95	TXT9A	5, 15, 26	213T - 256T 284T - 365T	18-5/8	19	5-1/4	5-5/8 3-7/8	34-29/32	39-9/32	11	4-5/8	3/8	4-1/4
TAB10	250411 ♣	105	TXT10A	15, 24	254T - 365T	25-1/16	24	6	4-23/32	36-3/32	41-17/32	18-1/2	4-1/8	3/8	3-13/16

● Necessary mounting bolts are included.

▲ Made to order belt guards required for these motor mounts. Consult DODGE

◆ Provides for V-belt adjustment.

♣ Made to order

V-BELT Drive Center Distances For TORQUE-ARM Bottom Motor Mounts

Motor Mount No.	Reducer Size	Nominal Ratio	Center Distances For Various NEMA Motor Frames															
			56		140		180		210		250		280		320		360	
			Min	Max	Min	Max	Min	Max	Min	Max	Min	Max	Min	Max	Min	Max	Min	Max
TAB1	TXT1A	9, 15, 25	14.70	18.40	14.70	18.40	15.70	19.40										
		5	14.50	18.20	14.50	18.20	16.30	19.20	17.20	19.90								
TAB2	TXT2A	9, 15, 25	14.80	18.50	14.80	18.50	15.80	19.50	16.50	20.20								
		5			14.60	18.20	15.60	19.20	16.30	20.00								
TAB3	TXT3B TXT305A	9, 15, 25	18.70	23.30	18.70	23.30	19.70	24.30	20.50	25.10								
		5			19.50	24.10	20.20	24.80	21.20	25.80								
TAB4	TXT4B TX405A	9, 15, 25	19.30	23.90	19.30	23.90	20.30	24.90	21.10	25.70	22.10	26.60						
		5			20.00	24.70	20.80	25.40	21.80	26.40	22.50	27.20						
TAB5	TXT5C TXT505A	9, 15, 25			19.50	24.10	20.50	25.10	21.30	25.90	22.30	26.90	23.00	27.60				
		5					20.90	25.50	21.90	26.50	22.60	27.20	23.60	28.20				
TAB6	TXT6A	9, 15, 25			21.40	25.90	22.40	26.90	23.10	27.60	24.10	28.60	24.90	29.40	25.80	30.40		
		5							23.60	28.20	24.40	28.90	25.40	29.90				
TAB7	TXT7A	9, 15, 25					24.50	28.90	25.20	29.70	26.20	30.60	26.90	31.40	27.90	32.40		
		5							25.70	30.20	26.40	30.90	27.40	31.90				
TAB8	TXT8A TXT8	15, 25							29.50	33.80	30.50	34.80	31.20	35.60	32.20	36.50	33.20	37.50
		5									30.50	34.90	31.50	35.90	32.50	36.90		
TAB9	TXT9A TXT9	15, 26							29.90	34.10	30.80	35.10	31.60	35.90	32.50	36.80	33.50	37.80
		5											31.70	36.10	32.70	37.10		
TAB10	TXT10A	15, 24									32.00	37.00	32.80	38.00	33.70	39.00	34.70	40.00

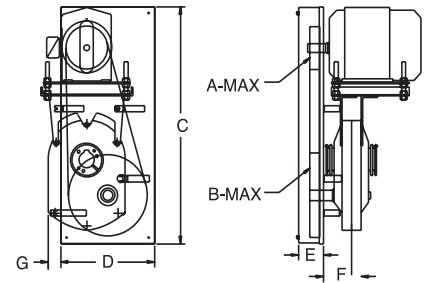


TORQUE-ARM Shaft Mount Speed Reducers



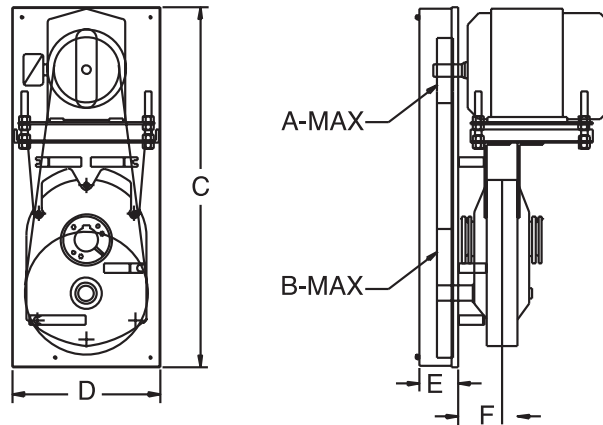
SLOTTED METAL PANEL BELT GUARD

Belt guards with mounting straps for TXT Reducers will fit standard TA motor mounts. The belt guards are designed to fit most common sheave diameters. They mount easily with no machining required.



Belt Guards For Double Reduction TXT Reducers (9, 15, 25:1) With Standard Motor Mounts ■

Reducer Size	Belt Guard Size	Part Number	Motor Mount No.	Wt.	NEMA Motor Frame	Center Distance		A	B	C	D	E	F	G
						Min	Max							
TXT1A	TXT1D	241395	TA1M	30	56T-215T	17.6	22.7	5.0	12.0	32.0	13.0	3.50	3.63	-
TXT2A	TXT2D	242395	TA1M	36	56T-215T	18.7	23.9	6.0	12.0	34.0	15.0	4.00	3.50	-
TXT3B	TXT3D	243387 ▲	TA3M	43	56T-215T	20.2	25.3	7.0	14.0	37.0	17.0	4.00	3.94	-
TXT4B	TXT4D	244395	TA4M	54	143T-286T	21.2	28.7	7.0	15.0	43.0	18.0	4.50	5.19	-
TXT5C	TXT5D	245387 ▲	TA5M	75	143T-286T	22.7	30.2	7.0	15.0	45.0	18.0	4.25	5.13	0.625
TXT6A	TXT6D	246366	TA6M	83	143T-326T	25.9	34.2	8.0	18.0	50.0	20.0	6.00	6.06	1.63
TXT7A	TXT7D	247390	TA7M	90	143T-365T	30.6	40	10.0	20.0	56.0	23.0	6.00	6.88	0.500
TXT8A	TXT8D	248395	TA8	107	213T-365T	35.4	44.2	12.0	25.0	63.0	27.0	6.50	7.46	0.156
TXT9A	TXT9D	249395 ▲	TA9	125	213T-365T	38	46.7	12.0	25.0	66.0	30.0	9.00	7.63	2.91
TXT10A	TXT10D	250395	TA10	140	254T-445T	42.5	50.8	12.0	25.0	72.5	30.0	9.00	8.25	4.31
TXT12	TXT12D	272688 ♣	TA12	170	320T-445T	58.1	66.6	15.0	30.0	91.0	34.0	9.50	8.13	-



Belt Guards For Single Reduction TXT Reducers (5:1) With Standard Motor Mounts ■

Reducer Size	Belt Guard Size	Part Number	Motor Mount No.	Wt.	NEMA Motor Frame	Center Distance		A	B	C	D	E	F
						Min	Max						
TXT105	TXT1S	241397	TA1M	30	56T-215T	17.6	22.7	5.0	12.0	32.0	13.0	3.50	3.63
TXT205	TXT2S	242397	TA1M	36	56T-215T	18.7	23.9	6.0	13.0	34.0	15.0	4.00	3.50
TXT305A	TXT3S	243389 ▲	TA3M	43	56T-215T	20.2	25.3	7.0	15.0	37.0	17.0	4.00	3.94
TXT405A	TXT4S	244397	TA4M	54	143T-286T	21.2	28.7	8.0	16.0	43.0	18.0	4.50	5.19
TXT505A	TXT5S	245389 ▲	TA5M	59	143T-286T	22.7	30.2	8.0	16.0	45.0	18.0	5.25	5.13
TXT605	TXT6S	246368	TA6M	95	143T-326T	25.9	34.2	10.0	18.0	50.0	20.0	6.00	6.06
TXT705	TXT7S	247392	TA7M	112	143T-365T	30.6	40.0	10.0	25.0	58.0	27.0	6.00	6.88
TXT805	TXT8S	248397	TA8	125	213T-365T	35.1	43.9	13.0	30.0	66.0	32.0	6.50	7.46
TXT905	TXT9S	249397 ▲	TA9	156	213T-365T	37.6	46.4	13.0	30.0	69.0	32.0	9.00	7.63

▲ These belt guards do not fit the larger frame, higher H.P. TORQUE-ARM motor mounts on pages G2-73 and G2-74.

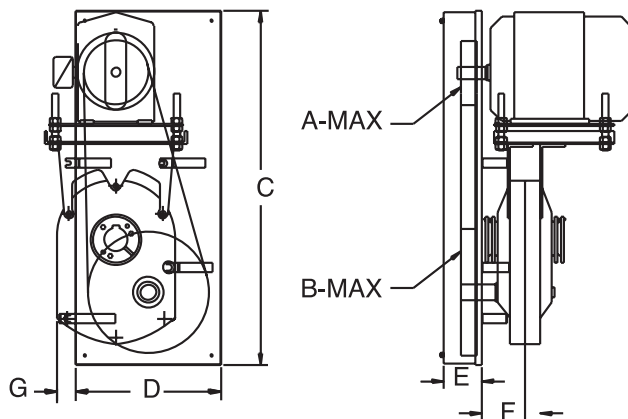
■ These belt guards do not fit TAB Bottom Motor Mounts. Consult DODGE for made-to-order belt guards for use with Bottom Motor Mounts

♣ Made to order.

FEATURES/BENEFITS PAGE G2-2	SPECIFICATION PAGE G2-9	RELATED PRODUCTS PAGE G2-152	RENEWAL PARTS PAGE G2-166
--------------------------------	----------------------------	---------------------------------	------------------------------

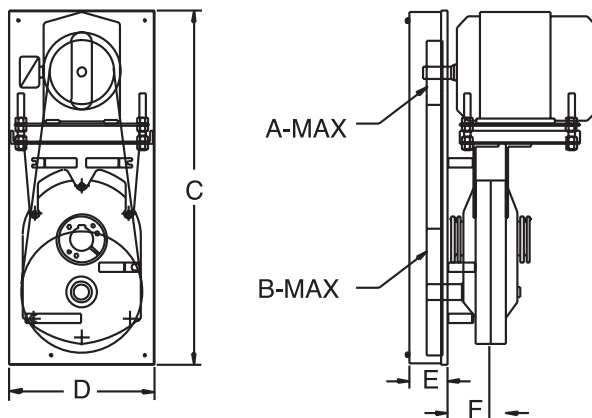


TORQUE-ARM Shaft Mount Speed Reducers



Belt Guards For Double Reduction TXT Reducers (9, 15, 25:1) With Long Motor Mounts

Reducer Size	Belt Guard Size	Part Number	Motor Mount No.	Wt.	NEMA Motor Frame	Center Distance		A	B	C	D	E	F	G
						Min	Max							
TXT3B	TXT3DLMM	243153 ▲ ♣	TA3ML	52	56T-215T	23.1	28.3	7	14	40	17	4	3.94	-
TXT4B	TXT4DLMM	244151 ♣	TA4ML	65	143T-286T	25.6	33.1	7	15	47.5	18	4.5	5.19	-
TXT5C	TXT5DLMM	245102 ▲ ♣	TA5ML	90	143T-286T	29.4	36.8	7	15	51.7	18	4.25	5.13	0.625
TXT6A	TXT6DLMM	246147	TA6ML	100	143T-326T	39.8	48.1	8	18	64	20	6	6.06	1.63
TXT7A	TXT7DLMM	247152 ♣	TA7ML	108	143T-365T	46	55.3	10	20	71.5	23	6	6.88	0.5



Belt Guards For Single Reduction TXT Reducers (5:1) With Long Motor Mounts

Reducer Size	Belt Guard Size	Part Number	Motor Mount No.	Wt.	NEMA Motor Frame	Center Distance		A	B	C	D	E	F
						Min	Max						
TXT305A	TXT3SLMM	243164 ▲ ♣	TA3ML	55	56T-215T	23.1	28.3	7.0	15.0	40.0	17.0	4.00	3.94
TXT405A	TXT4SLMM	244164 ♣	TA4ML	65	143T-286T	25.6	33.1	8.0	16.0	47.5	18.0	4.50	5.19
TXT505A	TXT5SLMM	245162 ▲ ♣	TA5ML	90	143T-286T	29.4	36.8	8.0	16.0	51.7	18.0	4.25	5.13
TXT605	TXT6SLMM	246132 ♣	TA6ML	100	143T-326T	39.8	48.1	10.0	18.0	64.0	20.0	6.00	6.06
TXT705	TXT7SLMM	247146 ♣	TA7ML	135	143T-365T	46.0	55.3	10.0	20.0	71.5	23.0	6.00	6.88

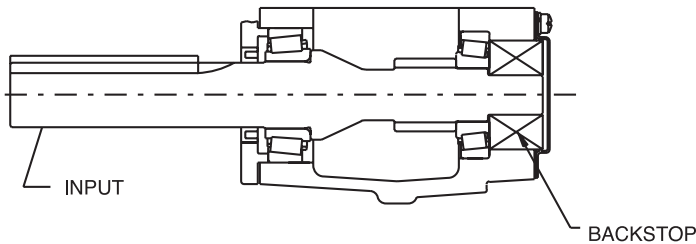
▲ These belt guards do not fit the larger frame, higher H.P. TORQUE-ARM motor mounts on pages G2-73

♣ Made to order



TORQUE-ARM Shaft Mount Speed Reducers

Backstop Assemblies For TORQUE-ARM Reducers



Backstops are offered for service conditions that require the prevention of reverse direction. They can be quickly installed by removing cover plate and slipping the backstop over the input shaft. After cover is replaced, backstop becomes completely sealed inside the reducer case. Since the reducer lubricates the backstop, no additional lubrication is required.

When ordering backstops, specify by reducer size and ratio. Keys are included in each backstop assembly.

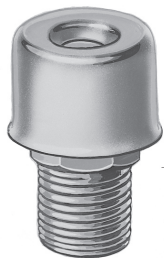
Warning: Backstops are not recommended for applications involving energy absorption and shock or torque loads in excess of reducer ratings or on applications such as chair lifts, amusement rides, etc., where the safety of persons or property is dependent on their function. On such applications, other safety devices should be provided.

Backstop Assemblies ■

Reducer Size	Nominal Ratio	Part Number	Weight
TXT1A	5, 9, 15, 25	242101	0.6
TXT2A	5, 9, 15, 25	252101	1.0
TXT3B	9, 15, 25	243106	0.6
TXT3A	5	252101	1.0
TXT4B	9, 15, 25	244106	1.2
TXT4A	5	244148	0.9
TXT5C	9, 15, 25	245154	2.2
TXT5A	5	246101	1.8
TXT6 A	5, 9, 15, 25	246092	2.5
TXT7A	5, 9, 15, 25	247260	2.8
TXT8A	15, 25	249260	3.8
TXT8	5	250260	5.6
TXT9A	15, 26	249260	3.8
TXT9	5	272259	6.7
TXT10A	15, 24	250260	5.6
TXT12	15, 25	250260	5.6
TDT13	25	272259	6.7
TDT14	25	272293	13.4
TDT15	30	272293	13.4

■ See pages G2-184 and G2-185 for complete listing of Backstop assemblies for all generations of DODGE TXT TORQUE-ARM reducers.

FILTER BREATHERS FOR TORQUE-ARM REDUCERS



FILTER BREATHERS ★

Reducer Size	Part Number	Plug Dimensions
TXT1 to TXT4	430048	3/8-18 NPSF
TXT5 to TXT10	430049	1/2-14 NPSF

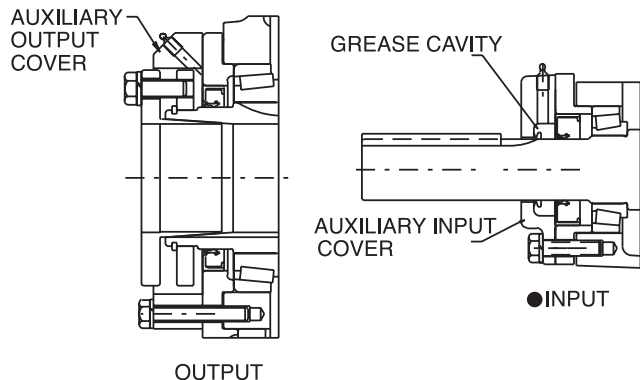
★ Breathers fit all reducer ratios.

Filter air breathers are designed for use in dusty atmospheres where the standard Torque-Arm breather may become clogged and inoperative. The 40 micron mesh opening allows the reducer to breathe, yet keep dust out, under the most extreme conditions. Clean oil is necessary for proper service and long gear and bearing life. Breathers may be used in all reducers and screw conveyor drives. When ordering, specify reducer size.



TORQUE-ARM Shaft Mount Speed Reducers

Auxiliary Seal Kits For TORQUE-ARM Reducers



An Auxiliary Seal Kit consists of two output seals and one input seal with necessary mounting hardware. Seal rings are equipped with a standard grease fitting and a large cavity which permits grease purging of the seal in severe applications, such as taconite mining, rock processing, fertilizer processing, etc. Reducer housings on sizes 1 and 2 must be drilled and tapped to accommodate auxiliary seals. On sizes 3-10, the input and front side output auxiliary seals bolt to the existing seal carriers, but the housing must be drilled and tapped for the back side output auxiliary seal. A filter breather is included with each auxiliary seal kit.

Auxiliary Seal Kits ★■●

Reducer Size	Nominal Ratio	Part Number	Reducer Size	Nominal Ratio	Part Number
TXT1A	9, 15, 25	272515	TXT6A	5, 9, 15, 25	272450
TXT1	5	272521	TXT7A	5, 9, 15, 25	272451
TXT2A	9, 15, 25	272446	TXT8A	5, 15, 25	272452
TXT2	5	272459	TXT9A	5, 15, 26	272453
TXT3B	9, 15, 25	243577	TXT10A	15, 24	272454
TXT3A	5	253186	TXT12	15, 25	272455
TXT4B	9, 15, 25	244676	TDT13	25	272456
TXT4A	5	254267	TDT14	25	272457 ♣
TXT5C	9, 15, 25	245635	TDT15	30	272458 ♣
TXT5A	5	255230			

- ★ For Taper Bushed reducers only.
- See page G2-175 and G2-176 for dimensions to drill and tap reducer housing for mounting of auxiliary seal kit. Dodge will install upon request.
- ♣ Made to order
- Input auxiliary seal can not be used on same input shaft with a cooling fan



TORQUE-ARM Shaft Mount Speed Reducers

Cooling Fan Assemblies For Torque-Arm Reducers

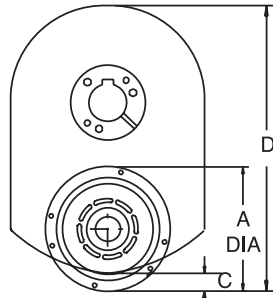
When the thermal capacity of a Torque-Arm reducer is exceeded, cooling fans provide an optional, inexpensive way of lowering the oil temperature, thus increasing the thermal horsepower capacity of the reducer. Selection tables indicate when a cooling fan is required.

Installation is accomplished simply by attaching formed steel mounting straps to the reducer input shaft seal carrier. The fan assembly, which fastens to the input shaft, is compact enough to allow installation of the originally designed for the reducer. The fan housing is attached to the

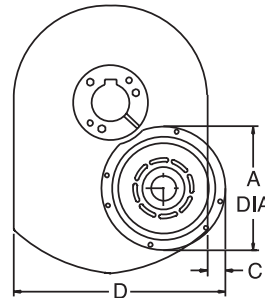
outer edges of the straps, which are spaced to allow free circulation of air at the back of the housing as well as through the front of the unit. The fan blade offers a radial streamline air flow which means smaller fans yet a more efficient movement of air.

For thermal capacities beyond the range of cooling fans, heat exchangers may be used-see below.

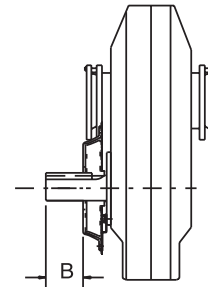
NOTE: See page G2-179 for maximum input shaft speeds



TXT305A THRU TXT905 (5:1)
TXT12 THRU TDT15 (15, 25, 30:1)



TXT3A THRU TXT10
RATIOS 9,15,25:1



TORQUE-ARM Reducer Cooling Fan Assemblies

Reducer Size	Cooling Fan No.	Part Number	Nominal Ratios	Wt.	A	B	C	D
TXT3B, SCXT3B	TXT3A	243581	9, 15, 25	3.0	4.88	2.13	0.15	9.38
TXT305A, SCXT305A	TXT305A	253188	5	3.0	3.94	1.88	-	-
TXT4B, SCXT4B	TDT4	272594	9, 15, 25	3.0	5.88	2.94	0.50	10.88
TXT405A, SCXT405A	TXT405A	254268	5	3.0	4.68	2.94	-	-
TXT5C, SCXT5C	TDT5	272369	9, 15, 25	3.0	7.08	3.44	-	-
TXT505A, SCXT505A	TXT505A	255231	5	3.0	5.75	3.44	-	-
TXT6A, SCXT6A	TDT6	272325	9, 15, 25	6.0	10.25	3.44	1.31	16.44
TXT605, SCXT605	TXT605	272681 ♣	5	6.0	7.08	3.42	-	-
TXT7A, SCXT7A	TDT7	272326	9, 15, 25	6.0	12.75	3.68	2.18	20.94
TXT705, SCXT705	TXT705	272685 ♣	5	6.0	9.25	3.88	-	-
TXT8A	TDT8	272327	15, 25	9.0	12.75	4.18	2.38	22.63
TXT805	TDT8	272327	5	9.0	12.75	4.25	-	-
TXT9A	TDT9	272328	15, 26	15.0	16.75	6.31	3.75	26.38
TXT905	T19	272324 ♣	5	15.0	12.75	7.44	-	-
TXT10A	TDT10	272329	15, 24	15.0	16.75	6.13	2.25	27.75
TXT12	TDT12	272330	15, 25	15.0	16.75	5.88	3.25	46.75
TDT13	TDT13	272331	25	20.0	18.50	5.68	3.94	49.75
TDT14	TDT14	272332	25	20.0	18.50	8.63	2.81	52.88
TDT15	TDT15	272333	30	23.0	18.50	9.50	2.00	60.63

♣ MADE TO ORDER

Reducer Heat Exchanger Cooling Package

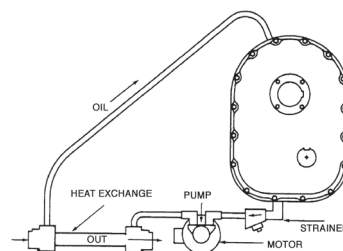
For thermal capacities beyond the range of cooling fans, an optional heat exchanger cooling package is available to prevent overheating the reducer and allow the use of full mechanical HP rating by lowering the oil temperature to an acceptable level.

Specifications for the heat exchange motor are as follows:

1/2 HP, 60 Hz, 3PH, 230/460 Volt, TEFC, 56 frame

Minimum coolant (water) flow is 3 G.P.M. based upon a maximum water temperature of 80°F.

Minimum oil temperature for operation is 60°F



Part Number
014148 ♣
♣ Made to order

FEATURES/BENEFITS PAGE G2-2	SPECIFICATION PAGE G2-9	RELATED PRODUCTS PAGE G2-152	RENEWAL PARTS PAGE G2-166
--------------------------------	----------------------------	---------------------------------	------------------------------

SELECTION



Screw Conveyor Shaft Mount Speed Reducers

Easy Selection Method (For Electric Motors)

When to Use Easy Selection

The Easy Selection tables for Shaft Mount reducers are for electric motor selections up to 75 horsepower with output speeds up to 400 RPM, using AGMA recommended application class numbers. For extreme shock or high energy loads which must be absorbed, as when stalling; for power source other than an electric motor; or for extreme ambient temperatures, or oversized equipment, consult DODGE Application Engineering, (864) 284-5700

How to Select

Step 1: Determine Class of Service—See Table 1, page G2-15 to determine Load Classification for applications under normal conditions. Find the type application and duty cycle that most closely matches your specific application.

Class I Steady load not exceeding Motor HP rating and light shock loads during 10 hours a day. Moderate shock loads are allowable if operation is intermittent.

For Class I applications, the maximum value of starting and momentary peak loads should not exceed 2 x Motor HP rating. If it exceeds this amount it should be divided by 2 and the result used in the selection table instead of the Motor HP rating.

Class II Steady load not exceeding Motor HP rating for over 10 hours a day. Moderate shock loads are allowable during 10 hours a day.

For Class II applications, the maximum value of starting and momentary peak loads should not exceed 2.8 x Motor HP rating. If it exceeds this amount it should be divided by 2.8 and the result used in the selection table instead of the Motor HP rating.

Class III Moderate shock loads for over 10 hours a day. Heavy shock loads are allowable during 10 hours a day.

For Class III applications, the maximum value of starting and momentary peak loads should not exceed 4 x Motor HP rating. If it exceeds this amount it should be divided by 4 and the result used in the selection table instead of the Motor HP rating.

Step 2: Determine Reducer Size—See the Easy Selection Tables, pages G2-85 thru G2-91. From Selection Table I, II or III read the reducer size for the application horsepower and output speed. **Note:** For applications where fan cooling is unacceptable use the Easy Selection tables with an increased Class number. Where more than one reducer selection is listed, the most economical ratio is generally listed first. See page G2-177 for maximum input and output speeds, overhung load ratings and WR2 ratings.

Step 3: Check Dimensions—See Selection/Dimensions sections, pages G2-92 thru G2-121 for reducer dimensions, weights and part numbers. See Engineering/ Technical section, page G2-172 and G2-176 for reducer and torque-arm rod mounting positions.

Step 4: Select Screw Conveyor Drive Shaft and Adapter to fit screw diameter—See Selection/Dimensions section, pages G2-92 thru G2-121 for compatibility of screw diameter and drive shaft diameter.



SELECTION

Screw Conveyor Shaft Mount Speed Reducers

Step 5: Select a Belt Drive Arrangement-From the Sheave Ratio table, page G2-164 thru G2-167, select the required sheave ratio for the belt drive. Select the belt drive so that the sheave mounted on the reducer shaft is not smaller than the minimum sheave diameter shown in Table 19, page G2-163.

Note: Mount the sheave as close as possible to the reducer to minimize the effect of overhung load on the reducer.

Step 6: Select Accessories-See Modifications/ Accessories section, pages G2-122 thru G2-128, for description, dimensions, weights, and part numbers for accessories available for the Screw Conveyor Drive reducer selected:

- Motor Mounts
- Belt Guards
- Cooling Fans
- Auxiliary Seal Kits
- Alternative drive shaft styles
- Filter Breathers

Note: Screw Conveyor Drive reducers are shipped without oil. Screw Conveyor Drive reducers are suitable from stock for vertical or incline mounting, no modification required.

EXAMPLE: Easy Selection Method - SCXT Screw Conveyor Drive Reducers

A 5 HP 1750 RPM motor is used to drive a heavy duty screw conveyor that runs 10 hours per day in a local feed mill, conveying grain. User needs a replacement reducer drive for a CEMA standard screw conveyor with a 12" diameter screw and 2-7/16, diameter drive shaft. Conveyor speed is 72 RPM.

Step 1: Determine Class of Service-From Table 1, page G2-15, locate "conveyors, general purpose; screw conveyor-heavy duty, not uniformly loaded" for 3 to 10 hours per day. This load is classified as a Class II application.

Step 2: Determine Reducer Size-From Table 10, Class II Selection, page G2-88, find the column for 5 HP and read down to 72 RPM. An SCXT225 reducer is the correct selection. Check maximum input and output speed, overhung load, and WR2 requirements with reducer ratings on page G2-177.

Step 3: Check Dimensions-See Selection/Dimensions section, page G2-94, for reducer dimensions, weights, part numbers and other pertinent drive dimensions. See Engineering/Technical section page G2-173 for information on mounting positions.

Step 4: Select Screw Conveyor Drive Shaft and Adapter to fit screw diameter-See Selection/Dimensions section, page G2-96. Here we verify that a 2-7/16" diameter drive shaft is compatible with 12" diameter screw. From this same page, select a C2A adapter which fits the 2-7/16" CEMA standard screw conveyor drive shaft.

Step 5: Select a Belt Drive Arrangement-From the Sheave Ratio table, page G2-164, select a V-drive ratio for the conveyor speed of 72 RPM. With this information, select a belt drive that meets your customer's needs -i.e. belt style preference, service factor requirements, Taper Lock or QD mounting, etc. Sheave diameter must not be less than minimum diameters shown in Table 19, page G2-163.

Step 6: Select Accessories-See Selection/Dimensions page G2-97 and Modifications/Accessories page G2-126 to pick out accessories for this application:

M214 Motor Mount-to mount motor to side of SCXT225 reducer.

SCXT2D Expanded Metal Belt Guard-to cover and protect the rotating belt drive.

FEATURES/BENEFITS PAGE G2-2	SPECIFICATION PAGE G2-9	MODIFICATION/ACCESSORIES PAGE G2-71	RELATED PRODUCTS PAGE G2-152
--------------------------------	----------------------------	--	---------------------------------



SELECTION

Screw Conveyor Shaft Mount Speed Reducers

SELECTION GUIDE: SCXT SCREW CONVEYOR DRIVE REDUCERS

This Is A Handy Reference Sheet For Quick Selection And Specification Of DODGE Screw Conveyor Drive Reducers. Use It To Identify Information Needed To Make An Accurate Selection With A Step-By-Step Selection Format For Choosing Reducer, Accessories And V-Drive.

Use This Page To Make Your Own Selections Or Send This Form, With Application Data To DODGE For Assistance.

Name _____ Company Name _____
 Phone No. _____ Fax. No. _____

Application Data:

Type of Driven Equipment _____
 Hours of Service Per Day _____ Class of Service _____
 Type of Load: Uniform _____ Moderate _____ Shock _____
 Motor Type: HP _____ RPM _____ Frame Size _____ Shaft Size _____
 Screw Conveyor RPM _____
 Drive Shaft Diameter And Type _____
 Adapter Type _____
 Unusual Ambient Temperature _____
 Other Pertinent Application Characteristics (i.e. - Dusty Environment, Reversing Duty, Start/Stop Cycles, Etc.) _____

Reducer Drive Selection:

Step 1 Determine Class of Service _____
Step 2 From Appropriate Service Class Table, Select Reducer Size And Rotation That Meets Application HP and Driven RPM Requirements _____
Step 3 Select Drive Shaft With Diameter To Fit Screw Size _____
 Determine Type Of Drive Shaft Needed: Standard _____ Stainless Steel _____
 3-Hole Standard _____ 3-Hole Stainless _____
Step 4 Select Adapter: C Standard _____
 AC Adjustable Packing Kit _____
Step 5 Select accessories required for application:
 Motor Mount: Standard _____ Long _____
 Belt Guard: Standard _____ Long _____
 Cooling Fan _____ Auxiliary Seal Kit _____ Filter Breather _____
 Other _____

V-Belt Drive Specification:

Service Factor _____ V-Belt Drive Ratio Needed _____
 Belt Center Distance _____ Type of Belt Desired _____
 Driver: Shaft Diameter _____ Driven: Shaft Diameter _____
 Sheave _____ Sheave _____
 Bushing _____ Bushing _____
 Belts: Size _____ Quantity _____



EASY SELECTION

Screw Conveyor Shaft Mount Speed Reducers

Table 9 - Class I Selection Table SCXT Reducers ★

HP	Output RPM	Reducer Selection	
		Single	Double
1/4	4-70		SCXT125A SCXT115A
	71-85		SCXT115A SCXT125A
	86-115		SCXT115A SCXT109A
	116-140	SCXT105	SCXT109A SCXT115A
	141-200	SCXT105	SCXT109A
	201-400	SCXT105	
1/3	5-70		SCXT125A SCXT115A
	71-85		SCXT115A SCXT125A
	86-115		SCXT115A SCXT109A
	116-140	SCXT105	SCXT109A SCXT115A
	141-200	SCXT105	SCXT109A
	201-400	SCXT105	
1/2	4-6		SCXT225A
	7-70		SCXT125A SCXT115A
	71-85		SCXT115A SCXT125A
	86-115		SCXT115A SCXT109A
	116-140	SCXT105	SCXT109A SCXT115A
	141-200	SCXT105	SCXT109A
201-400	SCXT105		
3/4	4-5		SCXT325B
	6-10		SCXT225A
	11-70		SCXT125A SCXT115A
	71-85		SCXT115A SCXT125A
	86-115		SCXT115A SCXT109A
	116-140	SCXT105	SCXT109A SCXT115A
	141-200	SCXT105	SCXT109A
	201-400	SCXT105	
1	4-5		SCXT425B
	6-7		SCXT325B
	8-15		SCXT225A
	16-70		SCXT125A SCXT115A
	71-85		SCXT115A SCXT125A
	86-115		SCXT115A SCXT109A
	116-140	SCXT105	SCXT109A SCXT115A
	141-200	SCXT105	SCXT109A
	201-400	SCXT105	
1-1/2	4		SCXT525C
	5-7		SCXT425B
	8-12		SCXT325B
	13-23		SCXT225A
	24-70		SCXT125A SCXT115A
1-1/2 (Continued)	71-85		SCXT115A SCXT125A
	86-115		SCXT115A SCXT109A
	116-140	SCXT105	SCXT109A SCXT115A
	141-200	SCXT105	SCXT109A
	201-400	SCXT105	
	2	4-6	
7-10		SCXT425B	
11-17		SCXT325B	
18-32		SCXT225A SCXT215A	
33-70		SCXT125A SCXT115A	
71-85		SCXT115A SCXT125A	
86-115		SCXT115A SCXT109A	
116-140	SCXT105	SCXT109A SCXT115A	
141-200	SCXT105	SCXT109A	
201-400	SCXT105		
3	4-5		SCXT625A
	6-10		SCXT525C
	11-15		SCXT425B
	16-26		SCXT325B
	27-51		SCXT225A SCXT215A
	52-70		SCXT125A SCXT115A
	71-85		SCXT115A SCXT125A
	86-115		SCXT115A SCXT109A
116-140	SCXT105	SCXT109A SCXT115A	
141-200	SCXT105	SCXT109A	
201-400	SCXT105		
5	5-6		SCXT725A
	7-9		SCXT625A
	10-17		SCXT525C
	18-26		SCXT425B SCXT415B
	27-46		SCXT325B SCXT315B
	47-70		SCXT225A SCXT215A
	71-85		SCXT215A SCXT225A
	86-92		SCXT109A SCXT215A
	93-115		SCXT115A SCXT109A
	116-119		SCXT109A SCXT115A
	120-140	SCXT105	SCXT109A SCXT115A
141-200	SCXT105	SCXT109A	
201-400	SCXT105		
7-1/2	4-6		SCXT825A
	7-9		SCXT725A

★ See Page G2-173 for lubrication for 15 RPM and slower

FEATURES/BENEFITS PAGE G2-2	SPECIFICATION PAGE G2-9	MODIFICATION/ACCESSORIES PAGE G2-71	RELATED PRODUCTS PAGE G2-152
--------------------------------	----------------------------	--	---------------------------------



EASY SELECTION

Screw Conveyor Shaft Mount Speed Reducers (Continued)

Table 9 - Class I Selection Table SCXT Reducers ★

HP	Output RPM	Reducer Selection	
		Single	Double
7-1/2 (Continued)	10-15		SCXT625A
	16-26		SCXT525C
	27-40		SCXT425B SCXT415B
	41-70		SCXT325B SCXT315B
	71-74		SCXT315B SCXT325B
	75-85		SCXT215A SCXT225A
	86-95		SCXT215A SCXT209A
	96-140	SCXT205	SCXT209A SCXT215A
	141-200	SCXT205	SCXT209A
	201-231	SCXT205	
10	6-8		SCXT825A
	9-12		SCXT725A
	13-20		SCXT625A
	21-36		SCXT525C SCXT515C
	37-56		SCXT425B SCXT415B
	57-70		SCXT325B SCXT315B
	71-85		SCXT315B SCXT325B
	86-103		SCXT315B SCXT309B
	104-115		SCXT215A SCXT209A
	116-140	SCXT305A	SCXT215A
	141-158	SCXT305A	SCXT309B
	159-200	SCXT305A	SCXT309B
	201-400	SCXT205	
	15	9-13	
14-19			SCXT725A
20-32			SCXT625A SCXT615A
33-56			SCXT525C SCXT515C
57-70			SCXT425B SCXT415B
71-85			SCXT415B SCXT425B
86-93			SCXT415B SCXT409B
94-115			SCXT309B+ SCXT315B
116-140		SCXT405A	SCXT315B SCXT309B+
141-145		SCXT405A	SCXT309B+
146-200		SCXT305A	SCXT309B+
201-400		SCXT305A	
20	13-18		SCXT825A
	19-26		SCXT725A SCXT715A
	27-45		SCXT625A SCXT615A
	46-70		SCXT525C SCXT515C
	71-78		SCXT515C SCXT525C

HP	Output RPM	Reducer Selection	
		Single	Double
20 (Continued)	79-85		SCXT415B SCXT42B
	86-115		SCXT415B SCXT409B+
	116-140	SCXT405A	SCXT409B+ SCXT415B+
	141-200	SCXT405A	SCXT309B+
	201-241	SCXT405A	
	242-400	SCXT305A+	
	25	16-23	
24-33			SCXT725A SCXT715A
34-59			SCXT625A SCXT615A
60-70			SCXT525C+ SCXT515C+
71-80			SCXT515C+ SCXT525C+
81-101			SCXT515C+ SCXT509C+
102-132		SCXT505A	SCXT415B+ SCXT409B+
133-140		SCXT505A	SCXT409B+ SCXT415B+
141-163		SCXT505A	SCXT409B+
164-200		SCXT405A+	SCXT409B+
201-400		SCXT405A+	
30	20-28		SCXT825A SCXT815A
	29-41		SCXT725A SCXT715A
	42-70		SCXT625A SCXT615A
	71-75		SCXT615A SCXT625A
	76-115		SCXT515C+ SCXT509C+
	116-125	SCXT605	SCXT509C+ SCXT515C+
	126-131	SCXT605	SCXT409B+
	132-200	SCXT505A	SCXT409B+
	201-215	SCXT505A+	
	216-400	SCXT405A+	
40	26-38		SCXT825A SCXT815A
	39-57		SCXT725A SCXT715A
	58-70		SCXT625A SCXT615A
	71-81		SCXT615A+ SCXT625A+
	82-114	SCXT605	SCXT615A+ SCXT609A+
	115-125	SCXT605	SCXT515C+ SCXT509C+
	126-200	SCXT605	SCXT509C+
	201-241	SCXT605	
	242-400	SCXT505A+	
	50	33-49	
50-70			SCXT725A SCXT715A
71-74			SCXT715A SCXT725A
75-125			SCXT615A+ SCXT709A+

★ See Page G2-173 for lubrication for 15 RPM and slower

+ Fan cooling required - see page G2-81

FEATURES/BENEFITS PAGE G2-2	SPECIFICATION PAGE G2-9	MODIFICATION/ACCESSORIES PAGE G2-71	RELATED PRODUCTS PAGE G2-152
--------------------------------	----------------------------	--	---------------------------------



EASY SELECTION

Screw Conveyor Shaft Mount Speed Reducers (Continued)

Table 9 - Class I Selection Table SCXT Reducers ★

HP	Output RPM	Reducer Selection	
		Single	Double
50 (Continued)	126-163	SCXT605+	SCXT709A+
	164-200	SCXT605+	SCXT609A+
	201-400	SCXT605+	
60	40-60		SCXT825A SCXT815A
	61-70		SCXT725A+ SCXT715A+
	71-120		SCXT715A+ SCXT709A+
	121-131	SCXT705	SCXT709A+
	132-200	SCXT605+	SCXT709A+
	201-400	SCXT605+	
75	51-70		SCXT825A SCXT815A
	71-78		SCXT815A+
	79-120		SCXT715A+ SCXT709A+
	121-200	SCXT705	SCXT709A+
	201-210	SCXT705	
	211-400	SCXT605+	

★ See Page G2-173 for lubrication for 15 RPM and slower

+ Fan cooling required - see page G2-81

FEATURES/BENEFITS PAGE G2-2	SPECIFICATION PAGE G2-9	MODIFICATION/ACCESSORIES PAGE G2-71	RELATED PRODUCTS PAGE G2-152
--------------------------------	----------------------------	--	---------------------------------



EASY SELECTION

Screw Conveyor Shaft Mount Speed Reducers

Table 10 - Class II Selection Table SCXT Reducers ★

HP	Output RPM	Reducer Selection	
		Single	Double
1/4	5-70		SCXT125A SCXT115A
	71-85		SCXT115A SCXT125A
	86-115		SCXT115A SCXT109A
	116-140	SCXT105	SCXT109A SCXT115A
	141-200	SCXT105	SCXT109A
	201-400	SCXT105	
1/3	4-6		SCXT225A
	7-70		SCXT125A SCXT115A
	71-85		SCXT115A SCXT125A
	86-115		SCXT115A SCXT109A
	116-140	SCXT105	SCXT109A SCXT115A
	141-200	SCXT105	SCXT109A
	201-400	SCXT105	
1/2	4-5		SCXT325B
	6-9		SCXT225A
	10-70		SCXT125A SCXT115A
	71-85		SCXT115A SCXT125A
	86-115		SCXT115A SCXT109A
	116-140	SCXT105	SCXT109A SCXT115A
	141-200	SCXT105	SCXT109A
	201-400	SCXT105	
3/4	4-5		SCXT425B
	6-8		SCXT325B
	9-16		SCXT225A
	17-70		SCXT125A SCXT115A
	71-85		SCXT115A SCXT125A
	86-115		SCXT115A SCXT109A
	116-140	SCXT105	SCXT109A SCXT115A
	141-200	SCXT105	SCXT109A
1	5-7		SCXT425B
	8-11		SCXT325B
	12-22		SCXT225A
	23-70		SCXT125A SCXT115A
	71-85		SCXT115A SCXT125A
	86-115		SCXT115A SCXT109A
	116-140	SCXT105	SCXT109A SCXT115A
	141-200	SCXT105	SCXT109A
	201-400	SCXT105	
	1-1/2	5-6	
7-11			SCXT425B
12-18			SCXT325A
19-34			SCXT225A SCXT215A
35-70			SCXT125A SCXT115A
71-85			SCXT115A SCXT125A
86-115			SCXT115A SCXT109A
116-140		SCXT105	SCXT109A SCXT115A
141-200		SCXT105	SCXT109A
201-400		SCXT105	

HP	Output RPM	Reducer Selection	
		Single	Double
2	4-5		SCXT625A
	6-9		SCXT525C
	10-14		SCXT425B
	15-24		SCXT325B SCXT315B
	25-47		SCXT225A SCXT215A
	48-70		SCXT125A SCXT115A
	71-85		SCXT115A SCXT125A
	86-115		SCXT115A SCXT109A
	116-140	SCXT105	SCXT109A SCXT115A
	141-200	SCXT105	SCXT109A
3	4-5		SCXT725A
	6-8		SCXT625A
	9-14		SCXT525C
	15-22		SCXT425B SCXT415B
	23-38		SCXT325B SCXT315B
	39-70		SCXT225A SCXT215A
	71-75		SCXT215A SCXT225A
	76-85		SCXT115A SCXT125A
	86-115		SCXT115A SCXT109A
	116-140	SCXT105	SCXT109A SCXT115A
	141-200	SCXT105	SCXT109A
5	4-6		SCXT825A
	7-8		SCXT725A
	9-14		SCXT625A
	15-24		SCXT525C
	25-37		SCXT425B SCXT415B
	38-69		SCXT325B SCXT315B
	70-85		SCXT215A SCXT225A
	86-89		SCXT215A SCXT209A
	90-136	SCXT205	SCXT209A SCXT215A
	137-140	SCXT205	SCXT115A SCXT209A
	141-191	SCXT205	SCXT109A
	192-200	SCXT105	SCXT109A
7-1/2	6-9		SCXT825A
	10-13		SCXT725A
	14-21		SCXT625A
	22-38		SCXT525C SCXT515C
	39-59		SCXT425B SCXT415B
	60-70		SCXT325B SCXT315B
	71-85		SCXT315B SCXT325B
	86-110		SCXT315B SCXT309B
	111-122		SCXT215A
	123-140	SCXT305A	SCXT209A SCXT215A
	141-183	SCXT305A	SCXT209A
201-400	184-200	SCXT205	SCXT209A
	201-400	SCXT205	

★ See page G2-173 for lubrication for 15 RPM and slower

FEATURES/BENEFITS PAGE G2-2	SPECIFICATION PAGE G2-9	MODIFICATION/ACCESSORIES PAGE G2-71	RELATED PRODUCTS PAGE G2-152
--------------------------------	----------------------------	--	---------------------------------



EASY SELECTION

Screw Conveyor Shaft Mount Speed Reducers (Continued)

Table 10 - Class II Selection Table SCXT Reducers ★

HP	Output RPM	Reducer Selection	
		Single	Double
10	8-12		SCXT825A
	13-18		SCXT725A
	19-29		SCXT625A SCXT615A
	30-52		SCXT525C SCXT515C
	53-70		SCXT425B SCXT415B
	71-84		SCXT415B SCXT425B
	85-130		SCXT315B SCXT309B
	131-140	SCXT305A	SCXT315B SCXT309B
	141-200	SCXT305A	SCXT309B
	201-353	SCXT305A	
354-400	SCXT205		
15	13-19		SCXT825A
	20-27		SCXT725A
	28-47		SCXT625A SCXT615A
	48-70		SCXT525C SCXT515C
	71-82		SCXT515C SCXT525C
	83-117		SCXT415B SCXT409B
	118-140	SCXT405A	SCXT409B SCXT415B
	141-150	SCXT405A	SCXT409B
	151-200	SCXT405A	SCXT309B+
	201-269	SCXT405A	
270-400	SCXT305A		
20	18-26		SCXT825A
	27-38		SCXT725A SCXT715A
	39-68		SCXT625A SCXT615A
	69-80		SCXT515C SCXT525C
	81-89		SCXT515C
	90-117		SCXT515C+ SCXT509C+
	118-125	SCXT505A	SCXT409B+ SCXT415B+
	126-200	SCXT505A	SCXT409B+
	201-400	SCXT405A+	
	25	23-33	
34-49			SCXT725A SCXT715A
50-80			SCXT615A SCXT625A
81-94			SCXT615A SCXT609A
95-125		SCXT605	SCXT509C+ SCXT515C+
126-174		SCXT605	SCXT509C+
175-200		SCXT505A	SCXT409B+
201-270		SCXT505A	
271-400		SCXT405A+	
30		28-41	
	42-60		SCXT725A SCXT715A
	61-76		SCXT625A SCXT615A
	77-89		SCXT615A SCXT609A
	90-125	SCXT605	SCXT615A+ SCXT609A+
	126-200	SCXT605	SCXT509C+
	201-233	SCXT605	
	234-349	SCXT505A+	
350-400	SCXT405A+		
40	37-56		SCXT825A SCXT815A
	57-75		SCXT725A SCXT715A
	76-88		SCXT715A
	89-114		SCXT615A+ SCXT609A+
	115-120		SCXT615A+ SCXT609A+
	121-200	SCXT605	SCXT609A+
	201-347	SCXT605+	
	348-400	SCXT505A+	
50	47-70		SCXT825A SCXT815A
	71-72		SCXT815A SCXT825A
	73-95		SCXT715A+
	96-110	SCXT705	SCXT709A SCXT715A+
	111-120	SCXT705	SCXT709A+ SCXT715A+
	121-179	SCXT705	SCXT709A+
	180-200	SCXT605	SCXT609A+
201-400	SCXT605+		
60	57-70		SCXT825A SCXT815A
	71-75		SCXT815A SCXT825A
	76-89		SCXT815A
	90-120	SCXT705	SCXT715A+ SCXT709A+
	121-200	SCXT705	SCXT709A+
	201-285	SCXT705	
	286-400	SCXT605+	
75	74-75		SCXT815A SCXT825A
	76-120		SCXT815A+
	121-133		SCXT709A+
	134-200	SCXT705	SCXT709A+
	201-400	SCXT705	

★ See page G2-173 for lubrication for 15 RPM and slower

+ Fan cooling required - see page G2-81

FEATURES/BENEFITS PAGE G2-2	SPECIFICATION PAGE G2-9	MODIFICATION/ACCESSORIES PAGE G2-71	RELATED PRODUCTS PAGE G2-152
--------------------------------	----------------------------	--	---------------------------------

EASY SELECTION



Screw Conveyor Shaft Mount Speed Reducers

Table 10 - Class III Selection Table SCXT Reducers ★

HP	Output RPM	Reducer Selection	
		Single	Double
1/4	4-6		SCXT225A
	7-70		SCXT125A SCXT115A
	71-85		SCXT115A SCXT125A
	86-89		SCXT115A SCXT109A
	90-115		SCXT115A SCXT109A
	116-140	SCXT105	SCXT109A SCXT115A
	141-200	SCXT105	SCXT109A
	201-400	SCXT105	
1/3	5-9		SCXT225A
	10-70		SCXT125A SCXT115A
	71-85		SCXT115A SCXT125A
	86-115		SCXT115A SCXT109A
	116-140	SCXT105	SCXT109A SCXT115A
	141-200	SCXT105	SCXT109A
	201-400	SCXT105	
	1/2	4-5	
6-7			SCXT325B
8-15			SCXT225A
16-70			SCXT125A SCXT115A
71-85			SCXT115A SCXT125A
86-115			SCXT115A SCXT109A
116-140		SCXT105	SCXT109A SCXT115A
141-200		SCXT105	SCXT109A
3/4	4		SCXT525C
	5-7		SCXT425B
	8-12		SCXT325B
	13-23		SCXT225A
	24-70		SCXT125A SCXT115A
	71-85		SCXT115A SCXT125A
	86-115		SCXT115A SCXT109A
	116-140	SCXT105	SCXT109A SCXT115A
	141-200	SCXT105	SCXT109A
	201-400	SCXT105	
1	4-6		SCXT525C
	7-10		SCXT425B
	11-17		SCXT325B
	18-32		SCXT225A
	33-70		SCXT125A SCXT115A
	71-85		SCXT115A SCXT125A
	86-115		SCXT115A SCXT109A
	116-140	SCXT105	SCXT109A SCXT115A
	141-200	SCXT105	SCXT109A
	201-400	SCXT105	
	1-1/2	4-5	
6-10			SCXT525C
11-15			SCXT425B
16-26			SCXT325B
27-51			SCXT225A SCXT215A

HP	Output RPM	Reducer Selection	
		Single	Double
1-1/2 (Continued)	52-70		SCXT125A SCXT115A
	71-85		SCXT115A SCXT125A
	86-115		SCXT115A SCXT109A
	116-140	SCXT105	SCXT109A SCXT115A
	141-200	SCXT105	SCXT109A
	201-400	SCXT105	
2	5-7		SCXT625A
	8-13		SCXT525C
	14-21		SCXT425B
	22-36		SCXT325B SCXT315B
	37-71		SCXT225A SCXT215A
	72-85		SCXT115A SCXT125A
	86-115		SCXT115A SCXT109A
	116-140	SCXT105	SCXT109A SCXT115A
	141-200	SCXT105	SCXT109A
	201-400	SCXT105	
3	4-5		SCXT825A
	6-7		SCXT725A
	8-12		SCXT625A
	13-20		SCXT525C
	21-32		SCXT425B SCXT415B
	33-57		SCXT325B SCXT315B
	58-70		SCXT225A SCXT215A
	71-85		SCXT215A SCXT225A
	86-89		SCXT215A SCXT209A
	90-113	SCXT205	SCXT215A SCXT209A
	114-140	SCXT205	SCXT109A SCXT115A
	141-155	SCXT205	SCXT109A
	156-200	SCXT105	SCXT109A
201-400	SCXT105		
5	6-8		SCXT825A
	9-12		SCXT725A
	13-20		SCXT625A
	21-36		SCXT525C SCXT515C
	37-56		SCXT425B SCXT415B
	57-70		SCXT325B SCXT315B
	71-85		SCXT315B SCXT325B
	86-103		SCXT315B SCXT309B
	104-114	SCXT305A	SCXT215A SCXT309B
	115-140	SCXT305A	SCXT209A SCXT215A
	141-167	SCXT305A	SCXT209A
	168-200	SCXT205	SCXT209A
	201-400	SCXT205	
7-1/2	9-13		SCXT825A
	14-19		SCXT725A
	20-32		SCXT625A SCXT615A
	33-56		SCXT525C SCXT515C
	57-70		SCXT425B SCXT415B
	71-85		SCXT415B SCXT425B

★ See page G2-173 for lubrication for 15 RPM and slower

FEATURES/BENEFITS PAGE G2-2	SPECIFICATION PAGE G2-9	MODIFICATION/ACCESSORIES PAGE G2-71	RELATED PRODUCTS PAGE G2-152
--------------------------------	----------------------------	--	---------------------------------



EASY SELECTION

Screw Conveyor Shaft Mount Speed Reducers (Continued)

Table 10 - Class III Selection Table SCXT Reducers ★

HP	Output RPM	Reducer Selection	
		Single	Double
7-1/2 (Continued)	86-93		SCXT415B SCXT409B
	94-140	SCXT405A	SCXT309B SCXT315B
	141-144	SCXT405A	SCXT309B
	145-200	SCXT305A	SCXT309B
	201-400	SCXT305A	
10	13-18		SCXT825A
	19-26		SCXT725A SCXT715A
	27-45		SCXT625A SCXT615A
	46-70		SCXT525C SCXT515C
	71-78		SCXT515C SCXT525C
	79-92		SCXT415B
	93-105		SCXT415B SCXT409B
	106-141	SCXT405A	SCXT409B SCXT415B
	142-200	SCXT405A	SCXT309B
	201-241	SCXT405A	
	242-400	SCXT305A	
15	20-28		SCXT825A SCXT815A
	29-41		SCXT725A SCXT715A
	42-70		SCXT625A SCXT615A
	71-75		SCXT615A SCXT625A
	76-93		SCXT515C
	94-115		SCXT515C SCXT509C
	116-125	SCXT605	SCXT509C SCXT515C
	126-131	SCXT605	SCXT509C
	132-200	SCXT505A	SCXT409B
	201-215	SCXT505A	
	216-400	SCXT405A	
20	26-38		SCXT825A SCXT815A
	39-57		SCXT725A SCXT715A
	58-70		SCXT625A SCXT615A
	71-114		SCXT615A SCXT609A
	115-125	SCXT605	SCXT509C+ SCXT515C+
	126-200	SCXT605	SCXT509C+
	201-218	SCXT605	
	219-324	SCXT505A	
325-400	SCXT405A+		
25	33-49		SCXT825A SCXT815A
	50-70		SCXT725A SCXT715A
	71-74		SCXT715A SCXT725A
	75-104		SCXT615A SCXT609A
	105-113		SCXT615A+ SCXT609A
	114-125	SCXT605	SCXT615A+ SCXT609A+
	126-200	SCXT605	SCXT609A+
	201-294	SCXT605	
295-400	SCXT505A+		
30	40-60		SCXT825A SCXT815A
	61-70		SCXT725A SCXT715A
	71-98		SCXT715A
	99-125		SCXT615A SCXT609A+

★ See page G2-173 for lubrication for 15 RPM and slower

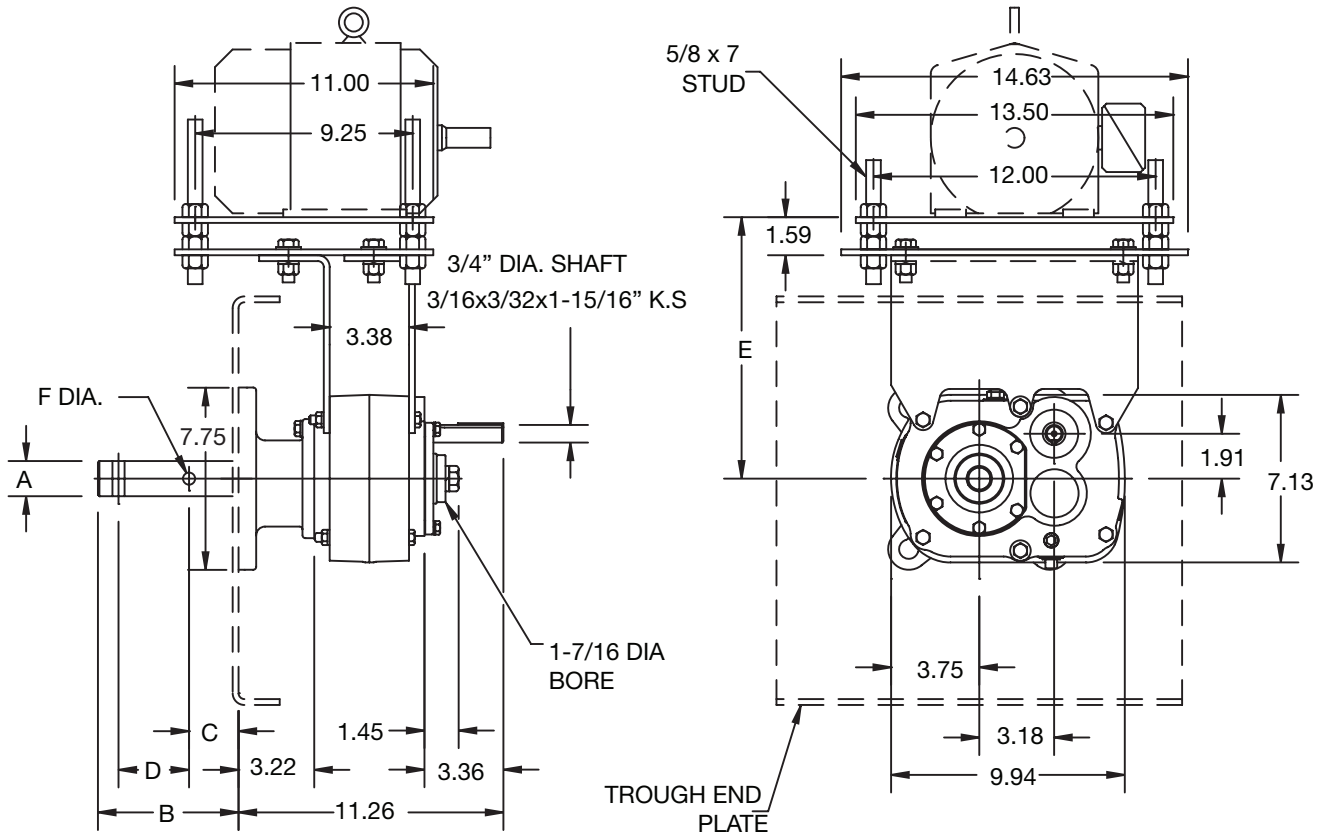
+ Fan cooling required - see page G2- 81

FEATURES/BENEFITS PAGE G2-2	SPECIFICATION PAGE G2-9	MODIFICATION/ACCESSORIES PAGE G2-71	RELATED PRODUCTS PAGE G2-152
--------------------------------	----------------------------	--	---------------------------------



SELECTION/DIMENSIONS

Screw Conveyor Shaft Mount Speed Reducers SCXT1A - DOUBLE REDUCTION SCREW CONVEYOR DRIVES



SCXT1A Screw Conveyor Drives†

Reducers				
Size	Part No.	AGMA Code	Ratio	Weight
SCXT109A	241480	107D09	9.44	45
SCXT115A	351163	107D15	15.35	45
SCXT125A	351164	107D25	25.64	45

CEMA Drive Shafts ★								Adapter Assembly ▲			
Drive Shaft	Screw Dia.	Part No.	A	B	C	D	F Dia.	Weight	Size	Part No.	Weight
C1 x 1-1/2	6" - 9"	351094	1.50	6.00	2.13	3.00	.52	7.2	C1A	351086	13
C1 x 2	9" - 12"	351095	2.00	6.00	2.13	3.00	.64	9.1			
C1 x 2-7/16	12" - 14"	351096	2.44	6.69	2.75	3.00	.64	12.5			
C1 x 3	12" - 20"	351097	3.00	6.88	2.88	3.00	.77	17.4			

FEATURES/BENEFITS PAGE G2-2	SPECIFICATION PAGE G2-9	MODIFICATION/ACCESSORIES PAGE G2-71	RELATED PRODUCTS PAGE G2-152
--------------------------------	----------------------------	--	---------------------------------



SELECTION/DIMENSIONS

Screw Conveyor Shaft Mount Speed Reducers SCXT1A - Double Reduction Screw Conveyor Drives

Accessories for SCXT1A Reducers

Description	NEMA Motor Frame	Screw Dia.	Part No.	Weight
AC1 Adjustable Packing Kit ♣			356301	0.8
M112 Standard Motor Mount	56T thru 210T	6"-12"	351069	42
M120L Long Motor Mount	56T thru 210T	14"-20"	272625	51
SCXT1D SCD Reducer Belt Guard	56T thru 210T	-	241489	27
SCXT1D SCD Reducer Belt Guard for Long Motor Mount	56T thru 210T	-	241149	32
SCXT1 Auxiliary Seal Kit ♥	-	-	272721	2
SCXT1 Lube Kit	-	-	LUBEKITXT1	4.6

SCXT1 Motor Mount Assembly Dimensions

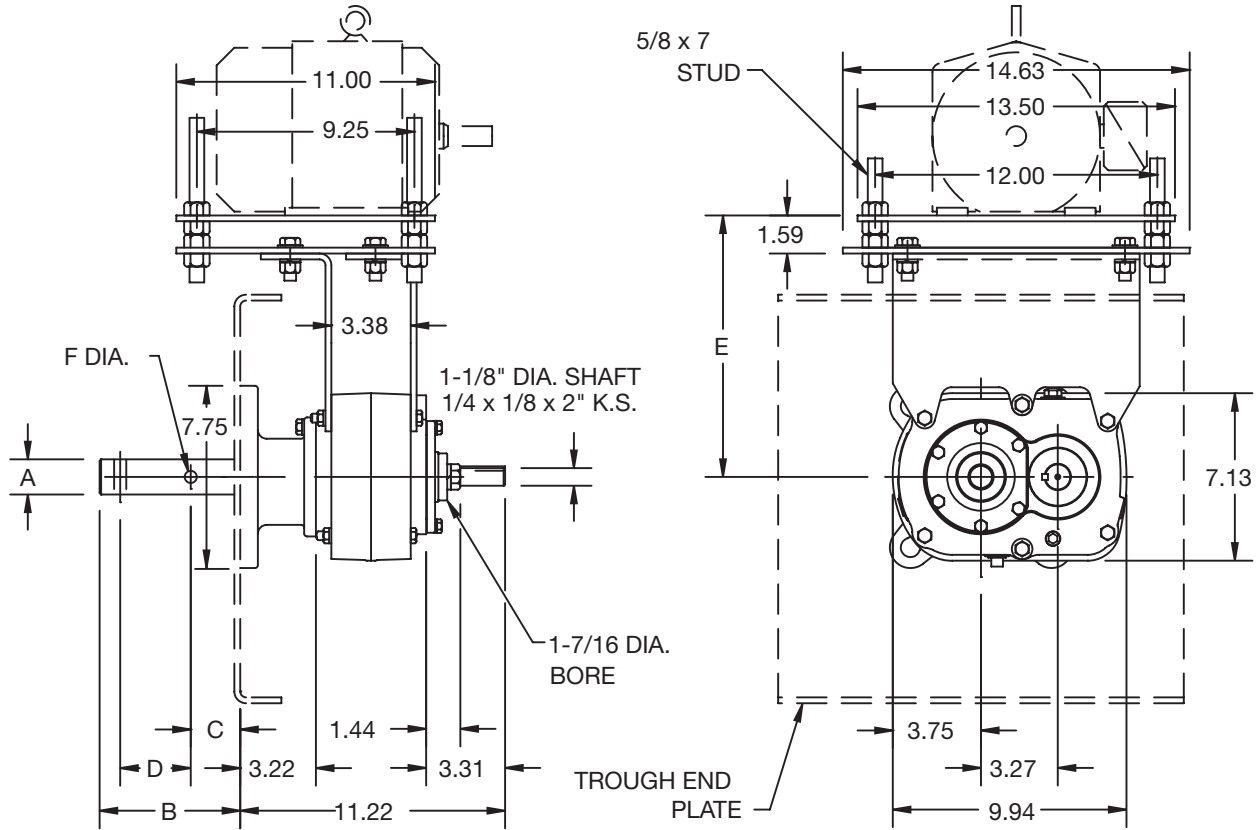
Motor Mount	E ♦		V-Belt Drive Center Distances for Various NEMA Motor Frames					
			56, 140		180		210	
	Min.	Max.	Min.	Max.	Min.	Max.	Min.	Max.
M112	11.10	15.30	13.50	17.00	14.50	18.00	15.30	19.00
M120L	17.10	21.30	19.50	22.90	20.50	23.90	21.20	24.70

- † For a complete SCXT drive, order a reducer, drive shaft and adapter assembly by their respective part numbers. Drive is shipped unassembled.
- ♣ AC Adjustable Packing Kit , with braided seals, is furnished if specified. It bolts to the C adapter.
- ♦ Provides for V-Belt adjustment.
- ♥ See page G2-177 for drill and tap information required to mount to reducer.
- ▲ Includes adapter, necessary mounting bolts, seal retainer and lip type seal. See page G2-122 for adapter bolt pattern details.
- ★ CEMA drive shaft and key is furnished unless otherwise specified. See pages G2-123 thru G2-125 for optional drive shafts available from DODGE.



SELECTION/DIMENSIONS

Screw Conveyor Shaft Mount Speed Reducers SCXT105 - Single Reduction Screw Conveyor Drives



SCXT105 Screw Conveyor Drives†

Reducers				
Size	Part No.	AGMA Code	Ratio	Weight
SCXT105	351165	107S05	5.62	40

CEMA Drive Shafts ★								Adapter Assembly ▲			
Drive Shaft	Screw Dia.	Part No.	A	B	C	D	F Dia.	Weight	Size	Part No.	Weight
C1 x 1-1/2	6" - 9"	351094	1.50	6.00	2.13	3.00	.52	7.20	C1A	351086	13
C1 x 2	9" - 12"	351095	2.00	6.00	2.13	3.00	.64	9.10			
C1 x 2-7/16	12" - 14"	351096	2.44	6.69	2.75	3.00	.64	12.50			
C1 x 3	12" - 20"	351097	3.00	6.88	2.88	3.00	.77	17.40			

FEATURES/BENEFITS PAGE G2-2	SPECIFICATION PAGE G2-9	MODIFICATION/ACCESSORIES PAGE G2-71	RELATED PRODUCTS PAGE G2-152
--------------------------------	----------------------------	--	---------------------------------



SELECTION/DIMENSIONS

Screw Conveyor Shaft Mount Speed Reducers SCXT105 - Single Reduction Screw Conveyor Drives

Accessories for SCXT105 Reducers

Description	NEMA Motor Frame	Screw Dia.	Part No.	Weight
AC1 Adjustable Packing Kit ♣			356301	0.8
M112 Standard Motor Mount	56T thru 210T	6" - 12"	351069	42
M120L Long Motor Mount	56T thru 210T	14" - 20"	272625	51
SCXT1S SCD Reducer Belt Guard	56T thru 210T	-	241491	30
SCXT1S SCD Reducer Belt Guard for Long Motor Mount ♣	56T thru 210T	-	241142	36
SCXT105 Auxiliary Seal Kit ♥ ♣	-	-	251146	2
SCXT105 Lube Kit	-	-	LUBEKITTXT105	4.5

SCXT105 Motor Mount Assembly Dimensions

Motor Mount	E ◆		V-Belt Drive Center Distances for Various NEMA Motor Frames					
			56, 140		180		210	
	Min.	Max.	Min.	Max.	Min.	Max.	Min.	Max.
M112	11.10	15.30	15.40	19.00	16.40	20.00	17.20	20.60
M120L	17.10	21.30	21.40	24.80	22.40	25.80	23.10	26.60

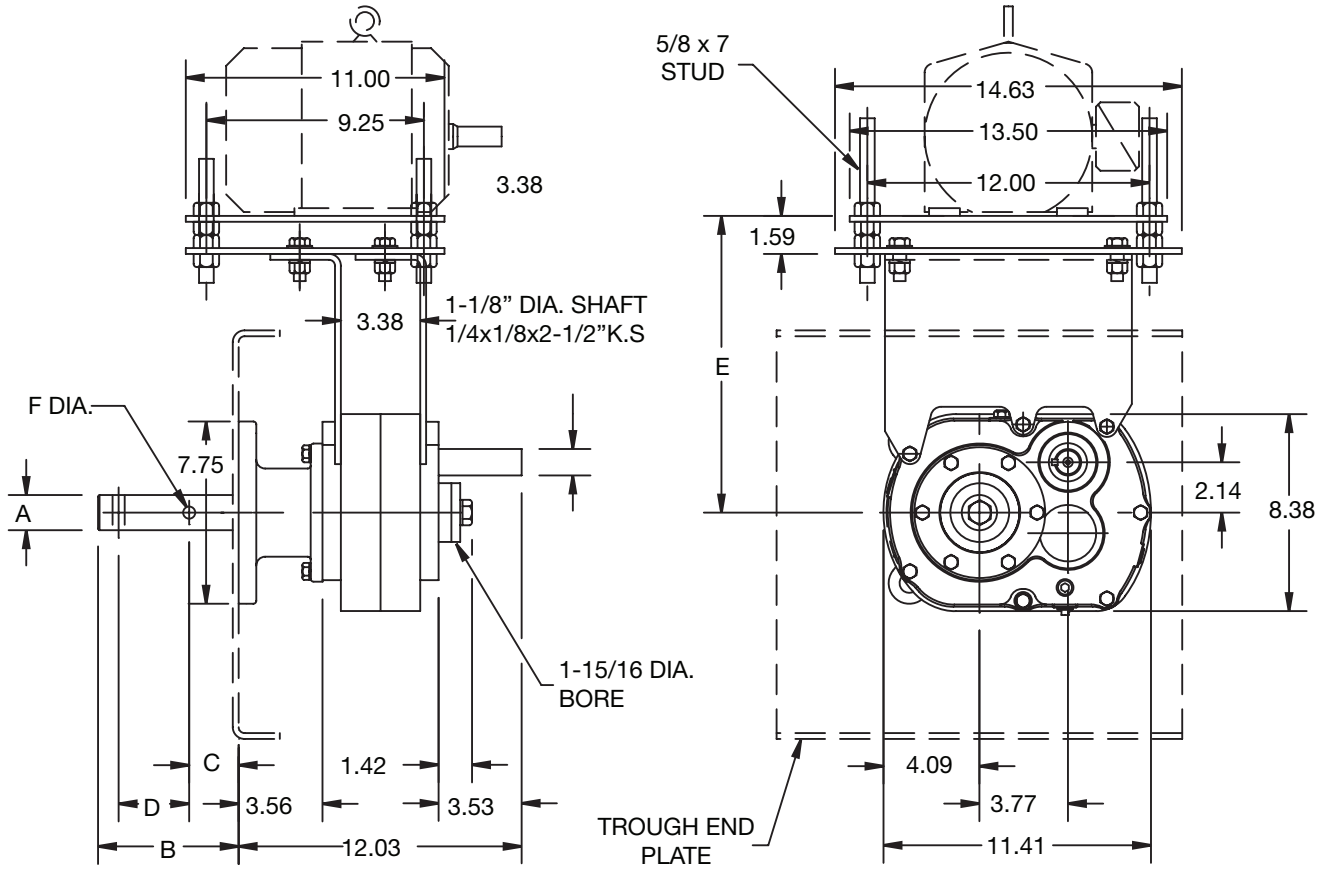
- † For a complete SCXT drive, order a reducer, drive shaft and adapter assembly by their respective part numbers. Drive is shipped unassembled.
- ♣ AC Adjustable Packing Kit, with braided seals, is furnished if specified. It bolts to the C adapter.
- ◆ Provides for V-Belt adjustment.
- ♥ See page G2-177 for drill and tap information required to mount to reducer.
- ▲ Includes adapter, necessary mounting bolts, seal retainer and lip type seal. See page G2-122 for adapter bolt pattern details.
- ★ CEMA drive shaft and key is furnished unless otherwise specified. See pages G2-123 thru G2-125 for optional drive shafts available from DODGE.
- ♣ Made to order

FEATURES/BENEFITS PAGE G2-2	SPECIFICATION PAGE G2-9	MODIFICATION/ACCESSORIES PAGE G2-71	RELATED PRODUCTS PAGE G2-152
--------------------------------	----------------------------	--	---------------------------------



SELECTION/DIMENSIONS

Screw Conveyor Shaft Mount Speed Reducers SCXT2A - Double Reduction Screw Conveyor Drives



SCXT2A Screw Conveyor Drives†

Reducers					
Size	Part No.	AGMA Code	Ratio	Weight	
SCXT209A	242480 ♣	115D09	9.25	58	
SCXT215A	352065	115D15	14.10	58	
SCXT225A	352066	115D25	23.46	58	

CEMA Drive Shafts ★								Adapter Assembly ▲			
Drive Shaft	Screw Dia.	Part No.	A	B	C	D	F Dia.	Weight	Size	Part No.	Weight
C2 x 1-1/2	6" - 9"	352090	1.50	6.00	2.13	3.00	.52	11.40	C2A	352052	15
C2 x 2	9" - 12"	352091	2.00	6.00	2.13	3.00	.64	13.80			
C2 x 2-7/16	12" - 14"	352092	2.44	6.69	2.75	3.00	.64	17.30			
C2 x 3	12" - 20"	352093	3.00	6.88	2.88	3.00	.77	19			

FEATURES/BENEFITS PAGE G2-2	SPECIFICATION PAGE G2-9	MODIFICATION/ACCESSORIES PAGE G2-71	RELATED PRODUCTS PAGE G2-152
--------------------------------	----------------------------	--	---------------------------------



SELECTION/DIMENSIONS

Screw Conveyor Shaft Mount Speed Reducers SCXT2A - Double Reduction Screw Conveyor Drives

Accessories for SCXT2A Reducers

Description	NEMA Motor Frame	Screw Dia.	Part No.	Weight
AC2 Adjustable Packing Kit ♣			356302	1.2
M214 Standard Motor Mount	56T thru 210T	6" - 14"	352069	43
M220L Long Motor Mount	56T thru 210T	16" - 20"	272626	51
SCXT2D SCD Reducer Belt Guard	56T thru 210T	-	242489	32
SCXT2D SCD Reducer Belt Guard for Long Motor Mount	56T thru 210T	-	242223	38
SCXT2 Auxiliary Seal Kit ♥	-	-	272722	3
SCXT2 Lube Kit	-	-	LUBEKITTXT2	4.6

SCXT2 Motor Mount Assembly Dimensions

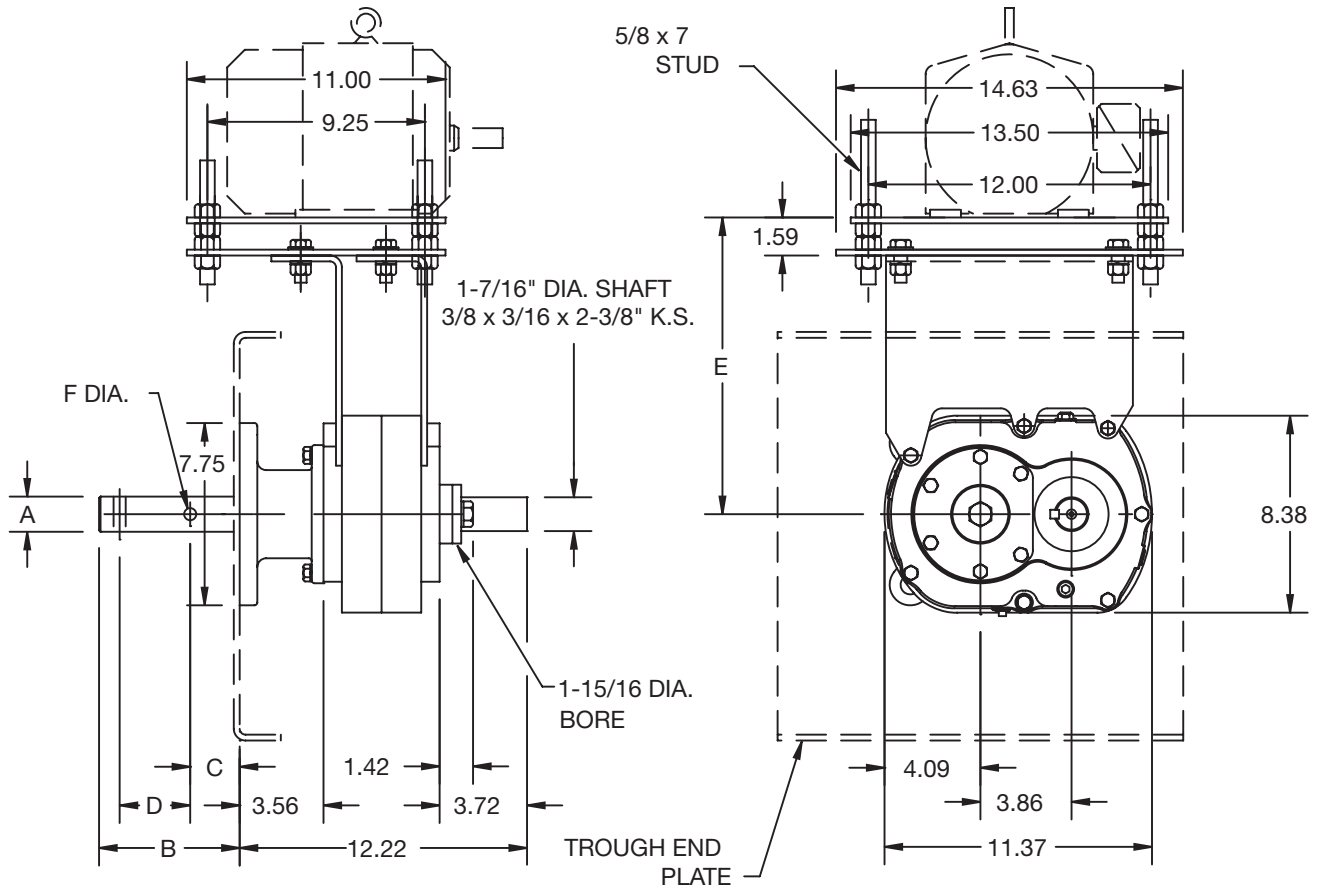
Motor Mount	E ♦		V-Belt Drive Center Distances for Various NEMA Motor Frames					
			56, 140		180		210	
	Min.	Max.	Min.	Max.	Min.	Max.	Min.	Max.
M214	12.6	16.8	14.9	18.3	15.9	19.3	16.6	20.0
M220L	18.6	22.8	20.9	24.2	21.9	25.3	22.6	26.0

- † For a complete SCXT drive, order a reducer, drive shaft and adapter assembly by their respective part numbers. Drive is shipped unassembled.
- ♣ AC Adjustable Packing Kit, with braided seals, is furnished if specified. It bolts to the C adapter.
- ♦ Provides for V-Belt adjustment.
- ♥ See page G2-177 for drill and tap information required to mount to reducer.
- ▲ Includes adapter, necessary mounting bolts, seal retainer and lip type seal. See page G2-122 for adapter bolt pattern details.
- ★ CEMA drive shaft and key is furnished unless otherwise specified. See pages G2-123 thru G2-125 for optional drive shafts available from DODGE.



SELECTION/DIMENSIONS

Screw Conveyor Shaft Mount Speed Reducers SCXT205 - Single Reduction Screw Conveyor Drives



SCXT205 Screw Conveyor Drives†

Reducers				
Size	Part No.	AGMA Code	Ratio	Weight
SCXT205	352218	115S05	5.29	52

CEMA Drive Shafts ★								Adapter Assembly ▲			
Drive Shaft	Screw Dia.	Part No.	A	B	C	D	F Dia.	Weight	Size	Part No.	Weight
C2 x 1-1/2	6" - 9"	352090	1.50	6.00	2.13	3.00	.52	11.40	C2A	352052	15
C2 x 2	9" - 12"	352091	2.00	6.00	2.13	3.00	.64	13.80			
C2 x 2-7/16	12" - 14"	352092	2.44	6.69	2.75	3.00	.64	17.30			
C2 x 3	12" - 20"	352093	3.00	6.88	2.88	3.00	.77	19			

FEATURES/BENEFITS PAGE G2-2	SPECIFICATION PAGE G2-9	MODIFICATION/ACCESSORIES PAGE G2-71	RELATED PRODUCTS PAGE G2-152
--------------------------------	----------------------------	--	---------------------------------



SELECTION/DIMENSIONS

Screw Conveyor Shaft Mount Speed Reducers SCXT205 - Single Reduction Screw Conveyor Drives

Accessories for SCXT205 Reducers

Description	NEMA Motor Frame	Screw Dia.	Part No.	Weight
AC2 Adjustable Packing Kit ♣			356302	1.2
M214 Standard Motor Mount	56T thru 210T	6" - 14"	352069	43
M220L Long Motor Mount	56T thru 210T	16" - 20"	272626	51
SCXT2S SCD Reducer Belt Guard	56T thru 210T	-	242491	34
SCXT2S SCD Reducer Belt Guard for Long Motor Mount	56T thru 210T	-	242114	41
SCXT205 Auxiliary Seal Kit ♥ ♣	-	-	252146	3
SCXT205 Lube Kit	-	-	LUBEKITXT205	6.9

SCXT205 Motor Mount Assembly Dimensions

Motor Mount	E ♦		V-Belt Drive Center Distances for Various NEMA Motor Frames					
			56, 140		180		210	
	Min.	Max.	Min.	Max.	Min.	Max.	Min.	Max.
M214	12.6	16.8	17.0	20.5	18.0	21.4	18.7	22.2
M220L	18.6	22.8	23.0	26.4	24.0	27.5	24.7	28.2

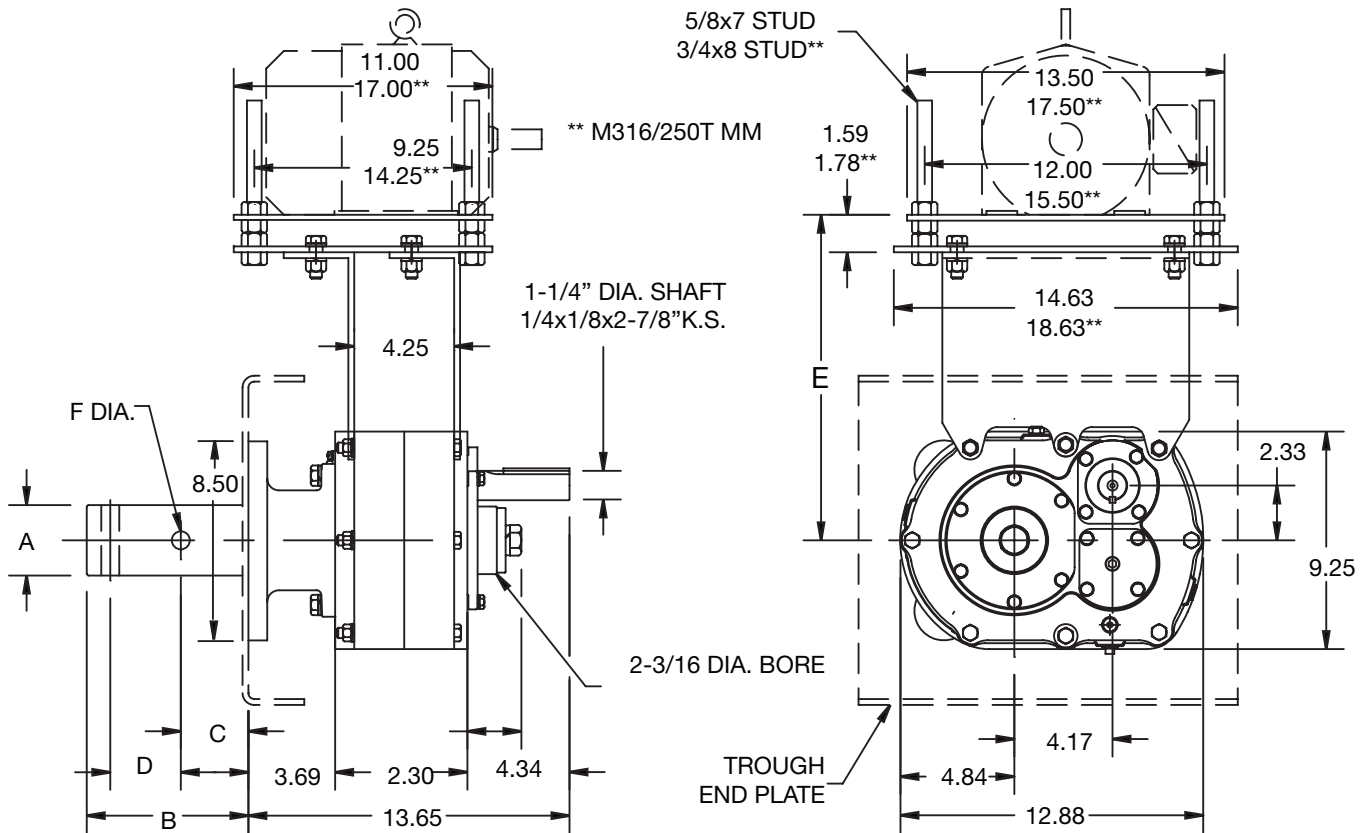
- † For a complete SCXT drive, order a reducer, drive shaft and adapter assembly by their respective part numbers. Drive is shipped unassembled.
- ♣ AC Adjustable Packing Kit, with braided seals, is furnished if specified. It bolts to the C adapter.
- ♦ Provides for V-Belt adjustment.
- ♥ See page G2-177 for drill and tap information required to mount to reducer.
- ▲ Includes adapter, necessary mounting bolts, seal retainer and lip type seal. See page G2-122 for adapter bolt pattern details.
- ★ CEMA drive shaft and key is furnished unless otherwise specified. See pages G2-123 thru G2-125 for optional drive shafts available from DODGE.
- ♣ Made to order

FEATURES/BENEFITS PAGE G2-2	SPECIFICATION PAGE G2-9	MODIFICATION/ACCESSORIES PAGE G2-71	RELATED PRODUCTS PAGE G2-152
--------------------------------	----------------------------	--	---------------------------------



SELECTION/DIMENSIONS

Screw Conveyor Shaft Mount Speed Reducers SCXT3B - Double Reduction Screw Conveyor Drives



SCXT3B Screw Conveyor Drives†

Reducers				
Size	Part No.	AGMA Code	Ratio	Weight
SCXT309B	243524	203D09	8.91	98
SCXT315B	243525	203D15	14.88	98
SCXT325B	243526	203D25	24.71	98

CEMA Drive Shafts ★								Adapter Assembly ▲			
Drive Shaft	Screw Dia.	Part No.	A	B	C	D	F Dia.	Weight	Size	Part No.	Weight
C3A x 1-1/2	9"	243562	1.50	6.00	2.13	3.00	.52	15	C3	353047	29
C3A x 2	9" - 12"	243563	2.00	6.00	2.13	3.00	.64	16			
C3A x 2-7/16	12" - 14"	243564	2.44	6.69	2.75	3.00	.64	19.50			
C3A x 3	12" - 20"	243565	3.00	6.88	2.88	3.00	.77	26			



SELECTION/DIMENSIONS

Screw Conveyor Shaft Mount Speed Reducers SCXT3B - Double Reduction Screw Conveyor Drives

Accessories for SCXT3B Reducers

Description	NEMA Motor Frame	Screw Dia.	Part No.	Weight
AC3 Adjustable Packing Kit †			356303	1.4
M316 Standard Motor Mount	56T thru 210T	6" - 16"	353069	44
M316/250T Special Motor Mount ■ ●	250T	6" - 16"	353070	44
M320L Long Motor Mount	56T thru 210T	18" - 20"	272627	56
SCXT3-D SCD Reducer Belt Guard	56T thru 210T	-	243416	40
SCXT3-D SCD Reducer Belt Guard for Long Motor Mount	56T thru 210T	-	243154	48
SCXT3A Cooling Fan Assembly	-	-	243581	3
SCXT3A Auxiliary Seal Kit	-	-	243582	5
SCXT3 Lube Kit	-	-	LUBEKITXT3	6.9

SCXT3B Motor Mount Assembly Dimensions

Motor Mount	E ◆		V-Belt Drive Center Distances for Various NEMA Motor Frames							
			"56,140"		180		210		250	
	Min.	Max.	Min.	Max.	Min.	Max.	Min.	Max.	Min.	Max.
M316	13.8	18.0	15.8	19.3	16.8	20.3	17.6	21.0	18.6	22.0
M320L	19.8	24.0	21.8	25.3	22.8	26.3	23.6	27.0	-	-

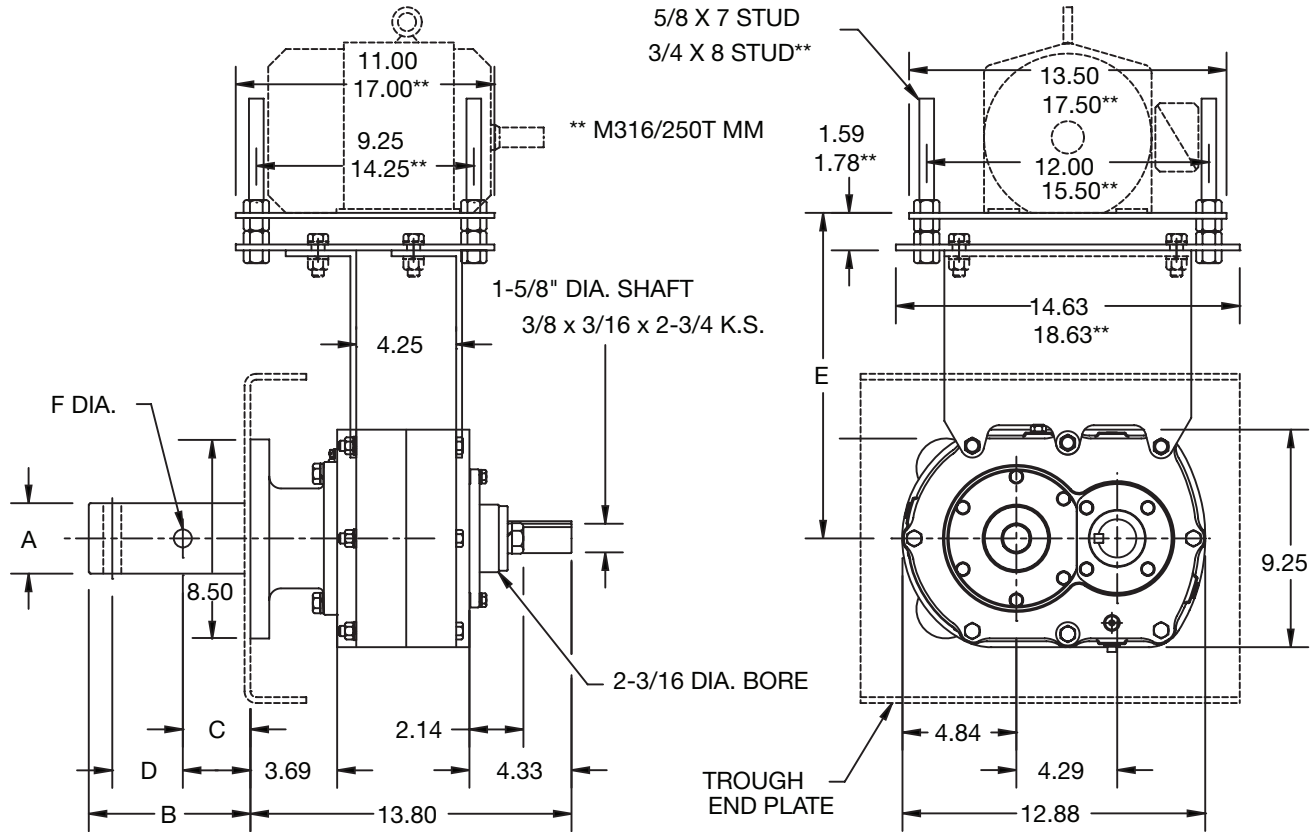
- † For a complete SCXT drive, order a reducer, drive shaft and adapter assembly by their respective part numbers. Drive is shipped unassembled.
- ♣ AC Adjustable Packing Kit, with braided seals, is furnished if specified. It bolts to the C adapter.
- ◆ Provides for V-Belt adjustment.
- Drawing dimensions are noted as **.
- ▲ Includes adapter, necessary mounting bolts, seal retainer and lip type seal. See page G2-122 for adapter bolt pattern details.
- ★ CEMA drive shaft and key is furnished unless otherwise specified. See pages G2-123 thru G2-125 for optional drive shafts available from DODGE.
- DODGE standard belt guards will not fit with this motor mount.

FEATURES/BENEFITS PAGE G2-2	SPECIFICATION PAGE G2-9	MODIFICATION/ACCESSORIES PAGE G2-71	RELATED PRODUCTS PAGE G2-152
--------------------------------	----------------------------	--	---------------------------------



SELECTION/DIMENSIONS

Screw Conveyor Shaft Mount Speed Reducers SCXT305A - Single Reduction Screw Conveyor Drives



SCXT305A Screw Conveyor Drives†

Reducers				
Size	Part No.	AGMA Code	Ratio	Weight
SCXT305A	253159	203S05	5.60	86

CEMA Drive Shafts ★								Adapter Assembly ▲			
Drive Shaft	Screw Dia.	Part No.	A	B	C	D	F Dia.	Weight	Size	Part No.	Weight
C3A x 1-1/2	9"	243562	1.50	6.00	2.13	3	.52	15	C3	353047	29
C3A x 2	9" - 12"	243563	2.00	6.00	2.13	3	.64	16			
C3A x 2-7/16	12" - 14"	243564	2.44	6.69	2.75	3	.64	19.5			
C3A x 3	12" - 20"	243565	3.00	6.88	2.88	3	.77	26			

FEATURES/BENEFITS PAGE G2-2	SPECIFICATION PAGE G2-9	MODIFICATION/ACCESSORIES PAGE G2-71	RELATED PRODUCTS PAGE G2-152
--------------------------------	----------------------------	--	---------------------------------



SELECTION/DIMENSIONS

Screw Conveyor Shaft Mount Speed Reducers SCXT305A - Single Reduction Screw Conveyor Drives

Accessories for SCXT305A Reducers

Description	NEMA Motor Frame	Screw Dia.	Part No.	Weight
AC3 Adjustable Packing Kit †			356303	1.4
M316 Standard Motor Mount	56T thru 210T	6'-16"	353069	44
M316/250T Special Motor Mount ■ ● ♣	250T	6"-16"	353070	44
M320L Long Motor Mount	56T thru 210T	18"-20"	272627	56
SCXT3S SCD Reducer Belt Guard	56T thru 210T	-	243418	40
SCXT3S SCD Reducer Belt Guard for Long Motor Mount ♣	56T thru 210T	-	243167	48
SCXT305A Cooling Fan Assembly	-	-	253188	3
SCXT305A Auxiliary Seal Kit ♣	-	-	253146	5
SCXT305 Lube Kit	-	-	LUBEKITXT305	8.1

SCXT305A Motor Mount Assembly Dimensions

Motor Mount	E ◆		V-Belt Drive Center Distances for Various NEMA Motor Frames							
			56, 140		180		210		250	
	Min.	Max.	Min.	Max.	Min.	Max.	Min.	Max.	Min.	Max.
M316	13.8	18.0	18.2	21.6	19.2	22.6	19.5	23.4	20.9	24.4
M320L	19.8	24.0	24.2	27.6	25.2	28.6	25.9	29.4	-	-

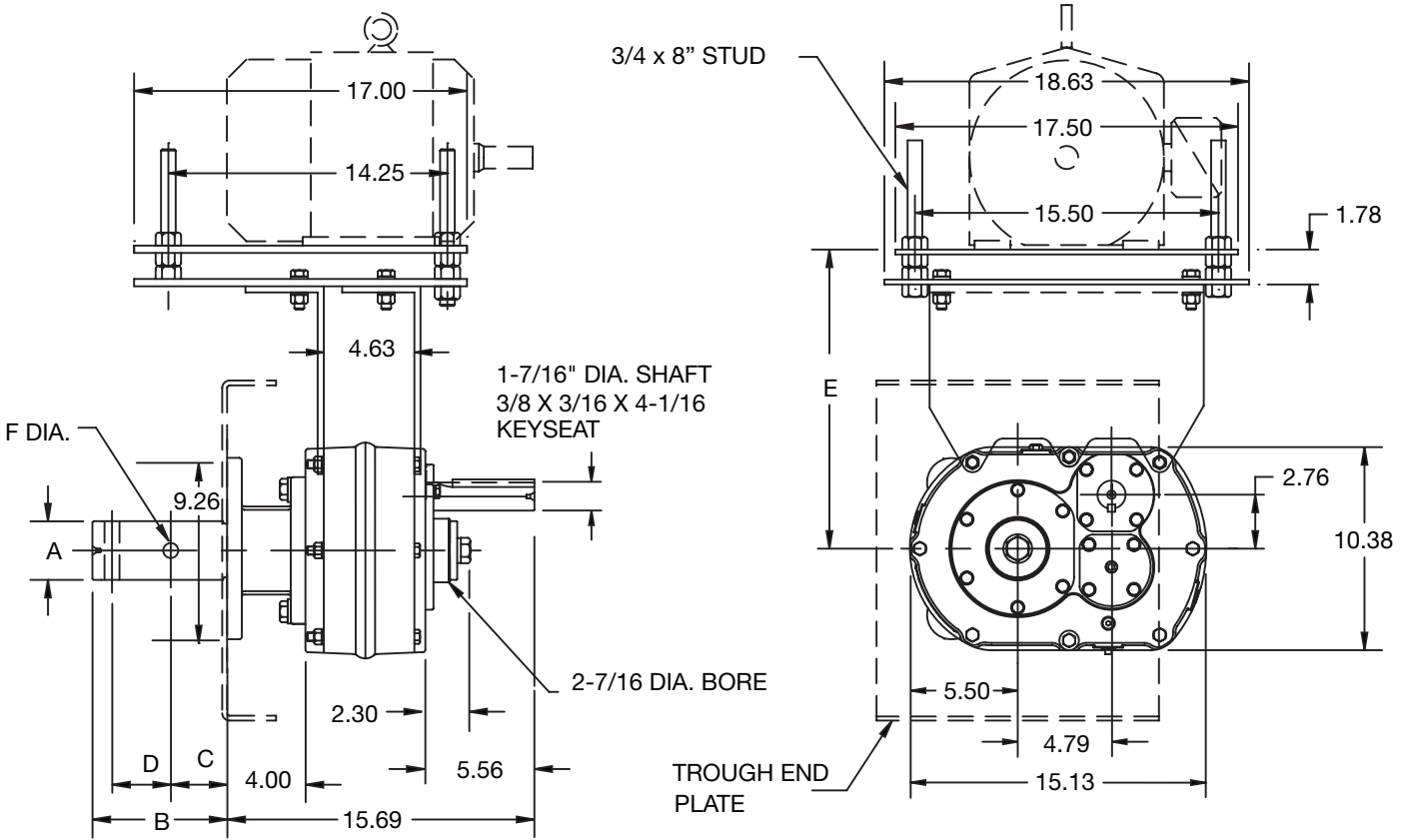
- † For a complete SCXT drive, order a reducer, drive shaft and adapter assembly by their respective part numbers. Drive is shipped unassembled.
- ▲ Includes adapter, necessary mounting bolts, seal retainer and lip type seal. See page G2-122 for adapter bolt pattern details.
- ♣ AC Adjustable Packing Kit, with braided seals, is furnished if specified. It bolts to the C adapter.
- ★ CEMA drive shaft and key is furnished unless otherwise specified. See pages G2-123 thru G2-125 for optional drive shafts available from DODGE.
- ◆ Provides for V-Belt adjustment.
- DODGE standard belt guards will not fit with this motor mount.
- Drawing dimensions are noted as **.
- ♣ Made to order

FEATURES/BENEFITS PAGE G2-2	SPECIFICATION PAGE G2-9	MODIFICATION/ACCESSORIES PAGE G2-71	RELATED PRODUCTS PAGE G2-152
--------------------------------	----------------------------	--	---------------------------------



SELECTION/DIMENSIONS

Screw Conveyor Shaft Mount Speed Reducers SCXT4B - Double Reduction Screw Conveyor Drives



SCXT4B Screw Conveyor Drives†

Reducers				
Size	Part No.	AGMA Code	Ratio	Weight
SCXT409B	244549	207D09	9.67	139
SCXT415B	244550	207D15	15.13	139
SCXT425B	244551	207D25	24.38	139

CEMA Drive Shafts ★								Adapter Assembly ▲			
Drive Shaft	Screw Dia.	Part No.	A	B	C	D	F Dia.	Weight	Size	Part No.	Weight
C4A x 1-1/2	9"	244594	1.50	6.00	2.13	3	.52	19	C4	354121	33
C4A x 2	9" - 12"	244595	2.00	6.00	2.13	3	.64	20.8			
C4A x 2-7/16	12" - 14"	244596	2.44	6.69	2.75	3	.64	24.3			
C4A x 3	12" - 20"	244597	3.00	6.88	2.88	3	.77	29.2			
C4A x 3-7/16	18" - 24"	244598	3.44	9.13	3.88	4	.89	39.3			

FEATURES/BENEFITS PAGE G2-2	SPECIFICATION PAGE G2-9	MODIFICATION/ACCESSORIES PAGE G2-71	RELATED PRODUCTS PAGE G2-152
--------------------------------	----------------------------	--	---------------------------------



SELECTION/DIMENSIONS

Screw Conveyor Shaft Mount Speed Reducers SCXT4B - Double Reduction Screw Conveyor Drives

Accessories for SCXT4B Reducers

Description	NEMA Motor Frame	Screw Dia.	Part No.	Weight
AC4 Adjustable Packing Kit ♣			356304	2.1
M418 Standard Motor Mount	140T thru 280T	9"-18"	354069	86
M418/320T Motor Mount ■ ♣	140T thru 320T	9"-18"	354028	90
M424L Long Motor Mount	140T thru 280T	20"-24"	272628	100
SCXT4D SCD Reducer Belt Guard	140T thru 280T	-	244489	44
SCXT4D SCD Reducer Belt Guard for Long Motor Mount	140T thru 280T	-	244152	53
SCXT4A Cooling Fan Assembly	-	-	272594	3
SCXT4A Auxiliary Seal Kit	-	-	244677	5
SCXT4 Lube Kit	-	-	LUBEKITXT4	10.4

SCXT4B Motor Mount Assembly Dimensions

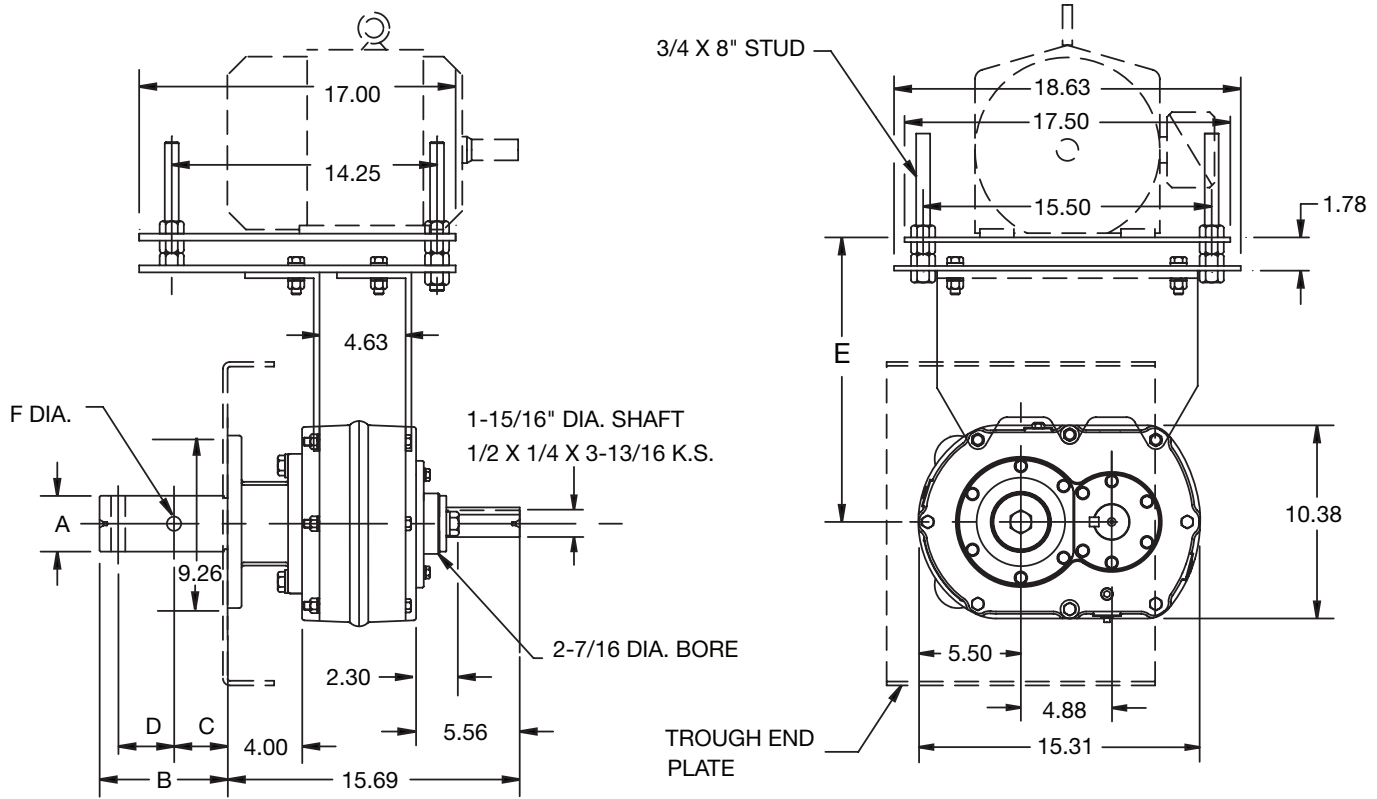
Motor Mount	E ◆		V-Belt Drive Center Distances for Various NEMA Motor Frames											
			56, 140		180		210		250		280		320	
	Min.	Max.	Min.	Max.	Min.	Max.	Min.	Max.	Min.	Max.	Min.	Max.	Min.	Max.
M418	15.3	20.1	16.9	21.0	17.9	22.0	18.6	22.7	19.6	23.7	20.4	24.5	21.4	25.4
M424L	21.3	26.1	23.2	27.0	24.2	28.0	24.9	28.6	25.9	29.6	26.7	30.4		

- † For a complete SCXT drive, order a reducer, drive shaft and adapter assembly by their respective part numbers. Drive is shipped unassembled.
- ♣ AC Adjustable Packing Kit, with braided seals, is furnished if specified. It bolts to the C adapter.
- ◆ Provides for V-Belt adjustment.
- ♣ Made to order
- ▲ Includes adapter, necessary mounting bolts, seal retainer and lip type seal. See page G2-122 for adapter bolt pattern details.
- ★ CEMA drive shaft and key is furnished unless otherwise specified. See pages G2-123 thru G2-125 for optional drive shafts available from DODGE.
- DODGE standard belt guards will not fit with this motor mount.



SELECTION/DIMENSIONS

Screw Conveyor Shaft Mount Speed Reducers SCXT405A - Single Reduction Screw Conveyor Drives



SCXT405A Screw Conveyor Drives†

Reducers				
Size	Part No.	AGMA Code	Ratio	Weight
SCXT405A	254208	207S05	5.65	122

CEMA Drive Shafts ★								Adapter Assembly ▲			
Drive Shaft	Screw Dia.	Part No.	A	B	C	D	F Dia.	Weight	Size	Part No.	Weight
C4 x 1-1/2	9"	244594	1.50	6.00	2.13	3.00	.52	19	C4	354121	33
C4 x 2	9" - 12"	244595	2.00	6.00	2.13	3.00	.64	20.80			
C4 x 2-7/16	12" - 14"	244596	2.44	6.69	2.75	3.00	.64	24.30			
C4 x 3	12" - 20"	244597	3.00	6.88	2.88	3.00	.77	29.20			
C4 x 3-7/16	18" - 24"	244598	3.44	9.13	3.88	4.00	.89	39.30			

FEATURES/BENEFITS PAGE G2-2	SPECIFICATION PAGE G2-9	MODIFICATION/ACCESSORIES PAGE G2-71	RELATED PRODUCTS PAGE G2-152
--------------------------------	----------------------------	--	---------------------------------



SELECTION/DIMENSIONS

Screw Conveyor Shaft Mount Speed Reducers SCXT405A - Single Reduction Screw Conveyor Drives

Accessories for SCXT405A Reducers

Description	NEMA Motor Frame	Screw Dia.	Part No.	Weight
AC4 Adjustable Packing Kit ♣			356304	2.1
M418 Standard Motor Mount	140T thru 280T	9"-18"	354069	86
M418/320T Motor Mount ■ ♣	140T thru 320T	9"-18"	354028	90
M424L Long Motor Mount	140T thru 280T	20"-24"	272628	100
SCXT4S SCD Reducer Belt Guard	140T thru 280T	-	244491	50
SCXT4S SCD Reducer Belt Guard for Long Motor Mount ♣	140T thru 280T	-	244167	60
SCXT405A Cooling Fan Assembly	-	-	254268	3
SCXT405A Auxiliary Seal Kit ♣	-	-	254146	5
SCXT405 Lube Kit	-	-	LUBEKITXT405	12.7

SCXT405A Motor Mount Assembly Dimensions

Motor Mount	E ◆		V-Belt Drive Center Distances for Various NEMA Motor Frames											
			56, 140		180		210		250		280		320	
	Min.	Max.	Min.	Max.	Min.	Max.	Min.	Max.	Min.	Max.	Min.	Max.	Min.	Max.
M418	15.3	20.1	19.6	23.7	20.6	24.7	21.4	25.5	22.4	26.5	23	27.2	21.4	25.4
M424L	21.3	26.1	25.9	29.7	26.9	30.7	27.7	31.4	28.7	32.3	29.4	33.2		

- † For a complete SCXT drive, order a reducer, drive shaft and adapter assembly by their respective part numbers. Drive is shipped unassembled.
- ♣ AC Adjustable Packing Kit, with braided seals, is furnished if specified. It bolts to the C adapter.
- ◆ Provides for V-Belt adjustment.
- ♣ Made to order.

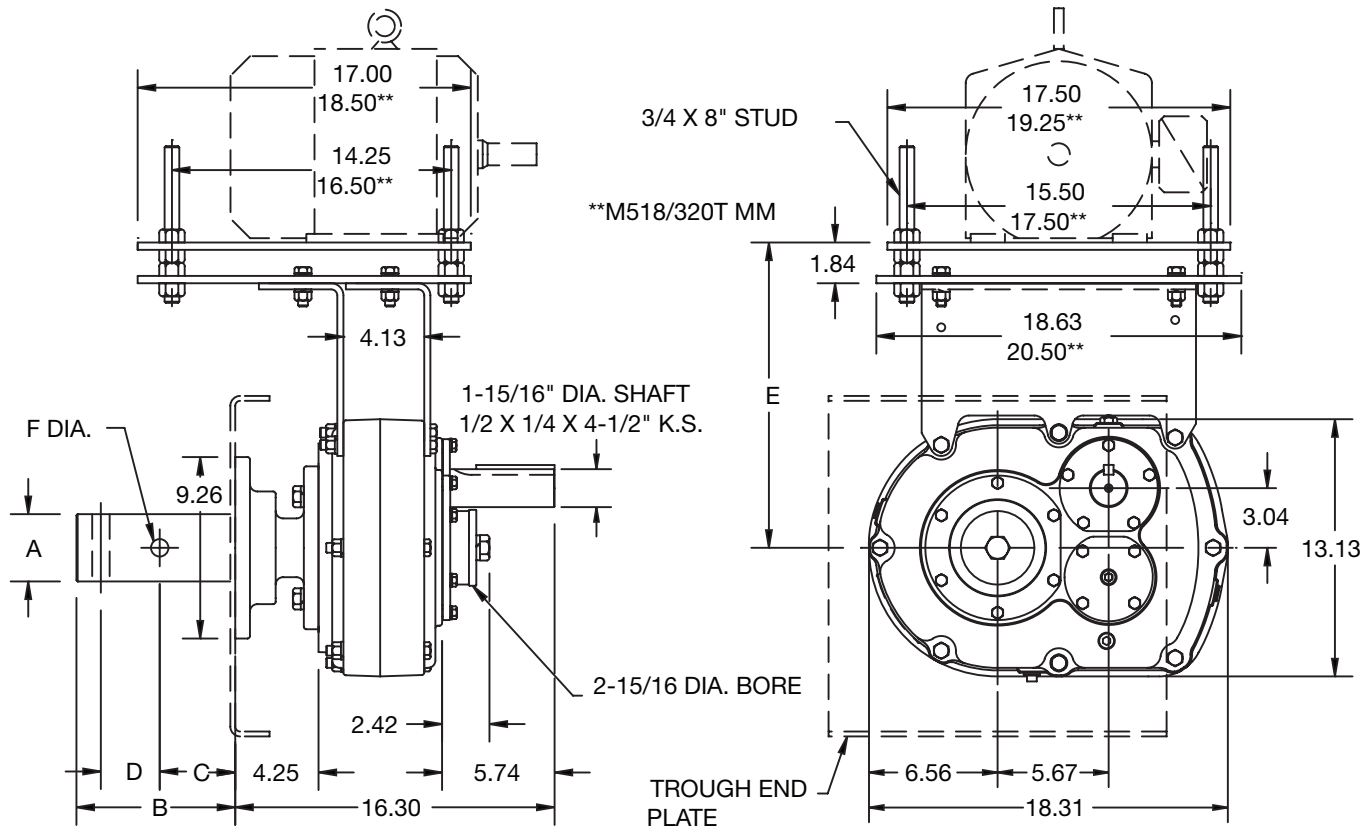
- ▲ Includes adapter, necessary mounting bolts, seal retainer and lip type seal. See page G2-122 for adapter bolt pattern details.
- ★ CEMA drive shaft and key is furnished unless otherwise specified. See pages G2-123 thru G2-125 for optional drive shafts available from DODGE.
- DODGE standard belt guards will not fit with this motor mount.

FEATURES/BENEFITS PAGE G2-2	SPECIFICATION PAGE G2-9	MODIFICATION/ACCESSORIES PAGE G2-71	RELATED PRODUCTS PAGE G2-152
--------------------------------	----------------------------	--	---------------------------------



SELECTION/DIMENSIONS

Screw Conveyor Shaft Mount Speed Reducers SCXT5C - Double Reduction Screw Conveyor Drives



SCXT5C Screw Conveyor Drives†

Reducers				
Size	Part No.	AGMA Code	Ratio	Weight
SCXT509C	245574 ♣	215D09	8.95	207
SCXT515C	245575	215D15	15.40	207
SCXT525C	245576	215D25	25.56	207

GEMA Drive Shafts ★								Adapter Assembly ▲			
Drive Shaft	Screw Dia.	Part No.	A	B	C	D	F Dia.	Weight	Size	Part No.	Weight
C5B x 2	9"	355175	2.00	6.00	2.13	3.00	.64	29.4	C5	355072	43
C5B x 2-7/16	9" - 12"	355176	2.44	6.69	2.75	3.00	.64	33			
C5B x 3	12" - 14"	355177	3.00	6.88	2.88	3.00	.77	37.9			
C5B x 3-7/16	12" - 20"	355178	3.44	9.13	3.88	4.00	.89	48.3			

FEATURES/BENEFITS PAGE G2-2	SPECIFICATION PAGE G2-9	MODIFICATION/ACCESSORIES PAGE G2-71	RELATED PRODUCTS PAGE G2-152
--------------------------------	----------------------------	--	---------------------------------



SELECTION/DIMENSIONS

Screw Conveyor Shaft Mount Speed Reducers SCXT5C - Double Reduction Screw Conveyor Drives

Accessories for SCXT5C Reducers

Description	NEMA Motor Frame	Screw Dia.	Part No.	Weight
AC5 Adjustable Packing Kit ♣			356305	2.1
M518 Standard Motor Mount	140T thru 280T	9"-18"	355169	82
M518/320T Special Motor Mount ● ■ ♣	320T	9"-18"	355168	82
M524L Long Motor Mount	140T thru 280T	20"-24"	272629	110
SCXT5D SCD Reducer Belt Guard	140T thru 280T	-	245495	45
SCXT5D SCD Reducer Belt Guard for Long Motor Mount	140T thru 280T	-	245103	54
SCXT5B Cooling Fan Assembly	-	-	272369	3
SCXT5B Auxiliary Seal Kit	-	-	245637	6
SCXT5 Lube Kit	-	-	LUBEKITTXT5	18.5

SCXT5C Motor Mount Assembly Dimensions

Motor Mount	E ◆		V-Belt Drive Center Distances for Various NEMA Motor Frames											
			56, 140		180		210		250		280		320	
	Min.	Max.	Min.	Max.	Min.	Max.	Min.	Max.	Min.	Max.	Min.	Max.	Min.	Max.
M518	15.3	20.1	16.6	20.7	17.6	21.7	18.4	22.4	19.4	23.4	20	24.2	21.1	25.2
M524L	21.3	26.1	22.9	26.6	23.9	27.6	24.7	28.4	25.7	29.4	26.4	30.1	-	-

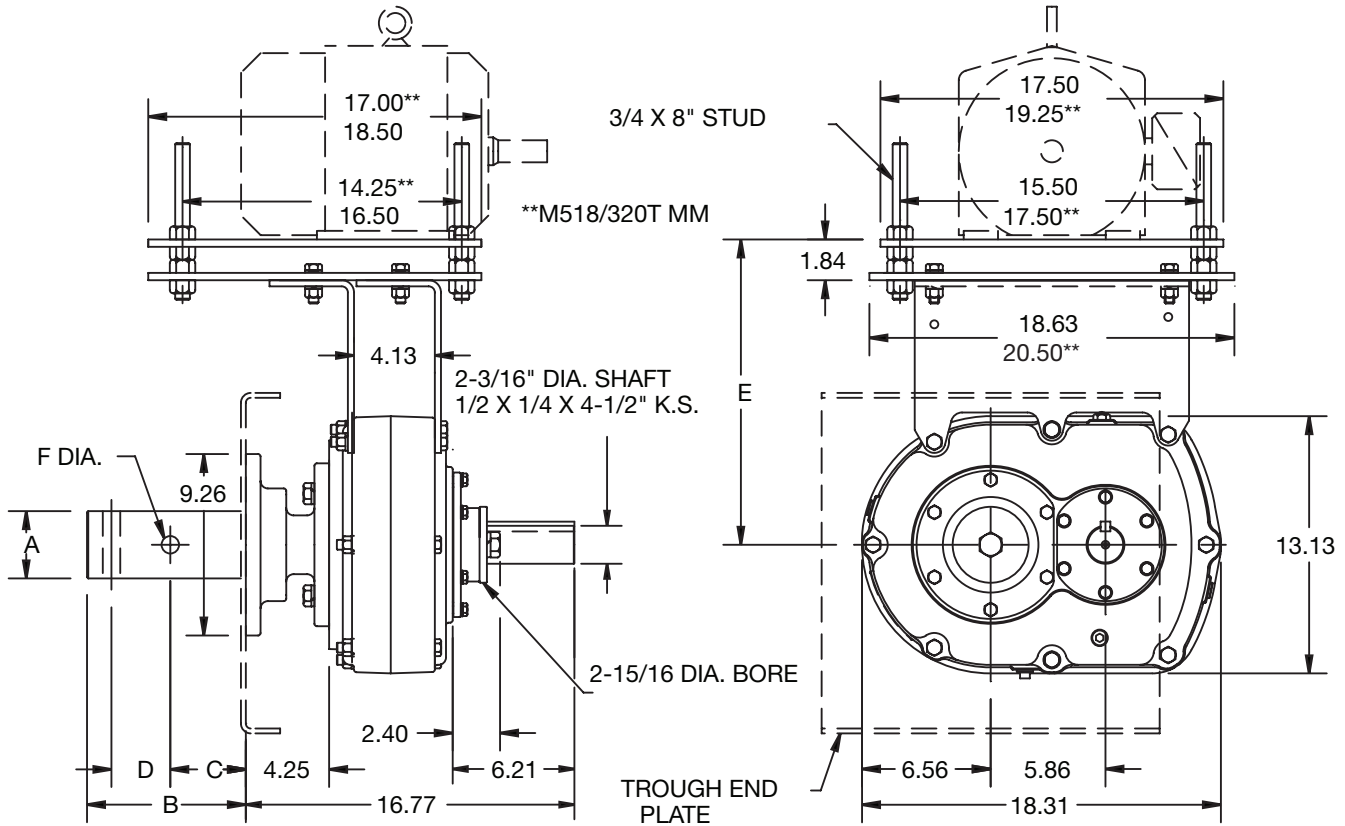
- † For a complete SCXT drive, order a reducer, drive shaft and adapter assembly by their respective part numbers. Drive is shipped unassembled.
- ♣ AC Adjustable Packing Kit, with braided seals, is furnished if specified. It bolts to the C adapter.
- ◆ Provides for V-Belt adjustment.
- ♣ Made to order.

- ▲ Includes adapter, necessary mounting bolts, seal retainer and lip type seal. See page G2-122 for adapter bolt pattern details.
- ★ CEMA drive shaft and key is furnished unless otherwise specified. See pages G2-123 thru G2-125 for optional drive shafts available from DODGE.
- DODGE standard belt guards will not fit with this motor mount.
- Drawing dimensions are noted as **



SELECTION/DIMENSIONS

Screw Conveyor Shaft Mount Speed Reducers SCXT505A - Single Reduction Screw Conveyor Drives



SCXT505A Screw Conveyor Drives†

Reducers				
Size	Part No.	AGMA Code	Ratio	Weight
SCXT505A	255208	215S05	5.67	182

CEMA Drive Shafts ★								Adapter Assembly ▲			
Drive Shaft	Screw Dia.	Part No.	A	B	C	D	F Dia.	Weight	Size	Part No.	Weight
C5B x 2	9" - 12"	355175	2.00	6.00	2.13	3.00	.64	29.40	C5	355072	43
C5B x 2-7/16	12" - 14"	355176	2.44	6.69	2.75	3.00	.64	33			
C5B x 3	12" - 20"	355177	3.00	6.88	2.88	3.00	.77	37.90			
C5B x 3-7/16	18" - 24"	355178	3.44	9.13	3.88	4.00	.89	48.30			

FEATURES/BENEFITS PAGE G2-2	SPECIFICATION PAGE G2-9	MODIFICATION/ACCESSORIES PAGE G2-71	RELATED PRODUCTS PAGE G2-152
--------------------------------	----------------------------	--	---------------------------------



SELECTION/DIMENSIONS

Screw Conveyor Shaft Mount Speed Reducers SCXT505A - Single Reduction Screw Conveyor Drives

Accessories for SCXT505A Reducers

Description	NEMA Motor Frame	Screw Dia.	Part No.	Weight
AC5 Adjustable Packing Kit ♣			356305	2.1
M518 Standard Motor Mount	140T thru 280T	9"-18"	355169	82
M518/320T Special Motor Mount ● ■ ♣	320T	9"-18"	355168	82
M524L Long Motor Mount	140T thru 280T	20"-24"	272629	110
SCXT5S SCD Reducer Belt Guard	140T thru 280T	-	245497	70
SCXT5S SCD Reducer Belt Guard for Long Motor Mount ♣	140T thru 280T	-	245015	84
SCXT505A Cooling Fan Assembly	-	-	255231	3
SCXT505A Auxiliary Seal Kit ♣	-	-	255148	6
SCXT505 Lube Kit	-	-	LUBEKITXT505	18.5

SCXT505A Motor Mount Assembly Dimensions

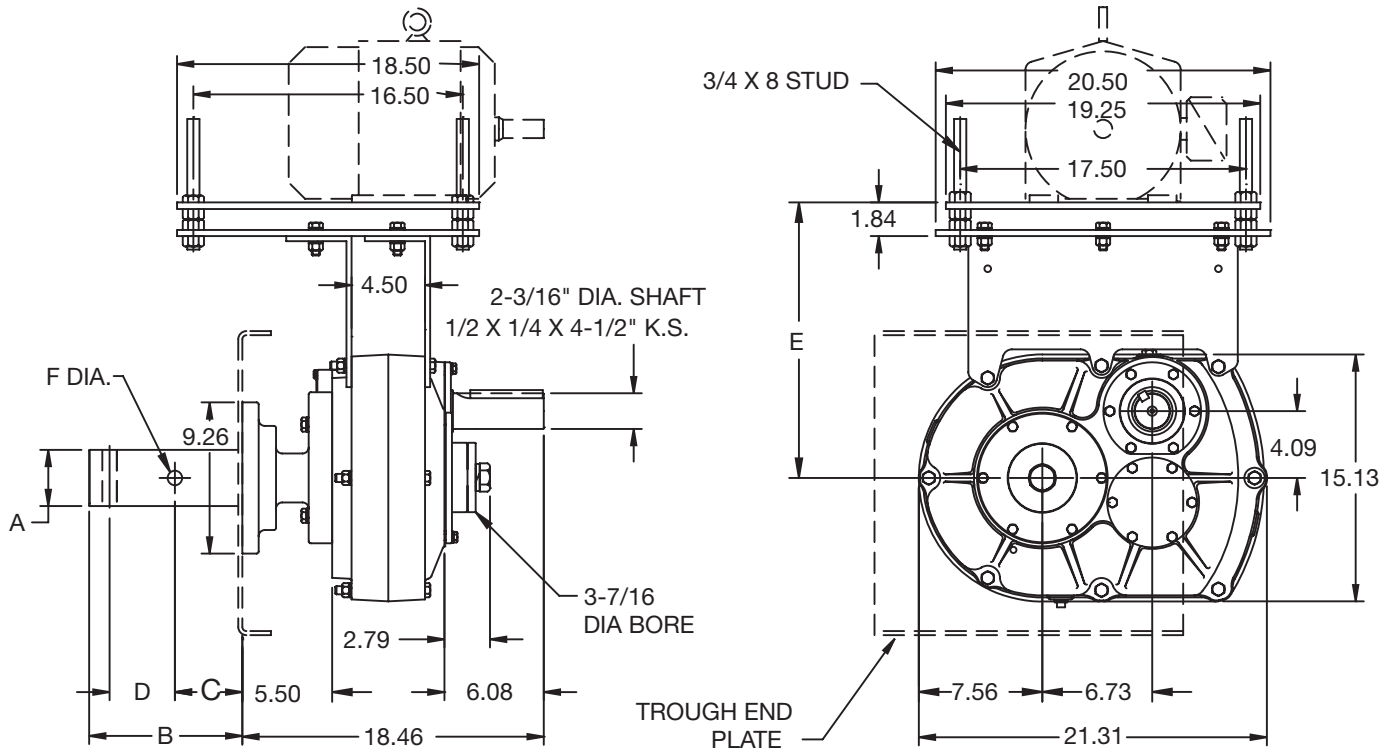
SCD Motor Mount	E ◆		V-Belt Drive Center Distances for Various NEMA Motor Frames											
			56, 140		180		210		250		280		320	
	Min.	Max.	Min.	Max.	Min.	Max.	Min.	Max.	Min.	Max.	Min.	Max.	Min.	Max.
M518	15.3	20.1	19.7	23.8	20.7	24.7	21.4	25.5	22.4	26.5	23.0	27.2	24.2	28.2
M524L	21.3	26.1	25.9	29.7	26.9	30.7	27.7	31.4	28.7	32.4	29.5	33.2	-	-

- † For a complete SCXT drive, order a reducer, drive shaft and adapter assembly by their respective part numbers. Drive is shipped unassembled.
- ♣ AC Adjustable Packing Kit, with braided seals, is furnished if specified. It bolts to the C adapter.
- ◆ Provides for V-Belt adjustment.
- ♣ Made to order.
- ▲ Includes adapter, necessary mounting bolts, seal retainer and lip type seals. See page G2-122 for adapter bolt pattern details.
- ★ CEMA drive shaft and key is furnished unless otherwise specified. See pages G2-123 thru G2-125 for optional drive shafts available from DODGE.
- DODGE standard belt guards will not fit with this motor mount. Consult DODGE for special belt guard.
- Drawing dimensions are noted as **



SELECTION/DIMENSIONS

Screw Conveyor Shaft Mount Speed Reducers SCXT6A - Double Reduction Screw Conveyor Drives



SCXT6A Screw Conveyor Drives†

Reducers				
Size	Part No.	AGMA Code	Ratio	Weight
SCXT609A	246480 ♣	307D09	9.20	285
SCXT615A	356057	307D15	15.33	285
SCXT625A	356058	307D25	25.13	285

CEMA Drive Shafts ★									Adapter Assembly ▲		
Drive Shaft	Screw Dia.	Part No.	A	B	C	D	F Dia.	Weight	Size	Part No.	Weight
C6 x 2-7/16	12" - 14"	356042	2.44	6.69	2.75	3.00	.64	47.70	C6	356055	56
C6 x 3	12" - 20"	356043	3.00	6.88	2.88	3.00	.77	52.70			
C6 x 3-7/16	18" - 24"	356044	3.44	9.13	3.88	4.00	.89	63			



SELECTION/DIMENSIONS

Screw Conveyor Shaft Mount Speed Reducers SCXT6A - Double Reduction Screw Conveyor Drives

Accessories for SCXT6A Reducers

Description	NEMA Motor Frame	Screw Dia.	Part No.	Weight
AC6 / AC7 Adjustable Packing Kit †			356306	2.4
M620 Standard Motor Mount	140T thru 320T	12"-20"	356069	105
M624L Long Motor Mount ‡	140T thru 320T	24"	272630	122
SCXT6D SCD Reducer Belt Guard	140T thru 320T	-	246476	60
SCXT6D SCD Reducer Belt Guard for Long Motor Mount	140T thru 320T	-	246148	72
SCXT6 Cooling Fan Assembly	-	-	272325	3
SCXT6 Auxiliary Seal Kit	-	-	272726	7
SCXT6 Lube Kit	-	-	LUBEKITTXT6	20.8

SCXT6A Motor Mount Assembly Dimensions

Motor Mount	E ◆		V-Belt Drive Center Distances for Various NEMA Motor Frames											
			56, 140		180		210		250		280		320	
	Min.	Max.	Min.	Max.	Min.	Max.	Min.	Max.	Min.	Max.	Min.	Max.	Min.	Max.
M620	16.7	21.4	17.0	21.0	18.0	22.0	18.8	22.8	19.7	23.8	20.5	24.5	21.5	25.5
M624L	22.7	27.4	23.2	27.0	24.2	27.9	24.9	28.7	25.9	29.7	26.7	30.5	27.6	31.4

† For a complete SCXT drive, order a reducer, drive shaft and adapter assembly by their respective part numbers. Drive is shipped unassembled.

‡ AC Adjustable Packing Kit, with braided seals, is furnished if specified. It bolts to the C adapter.

◆ Provides for V-Belt adjustment.

♣ Made to order

▲ Includes adapter, necessary mounting bolts, seal retainer and lip type seals. See page G2-122 for adapter bolt pattern details.

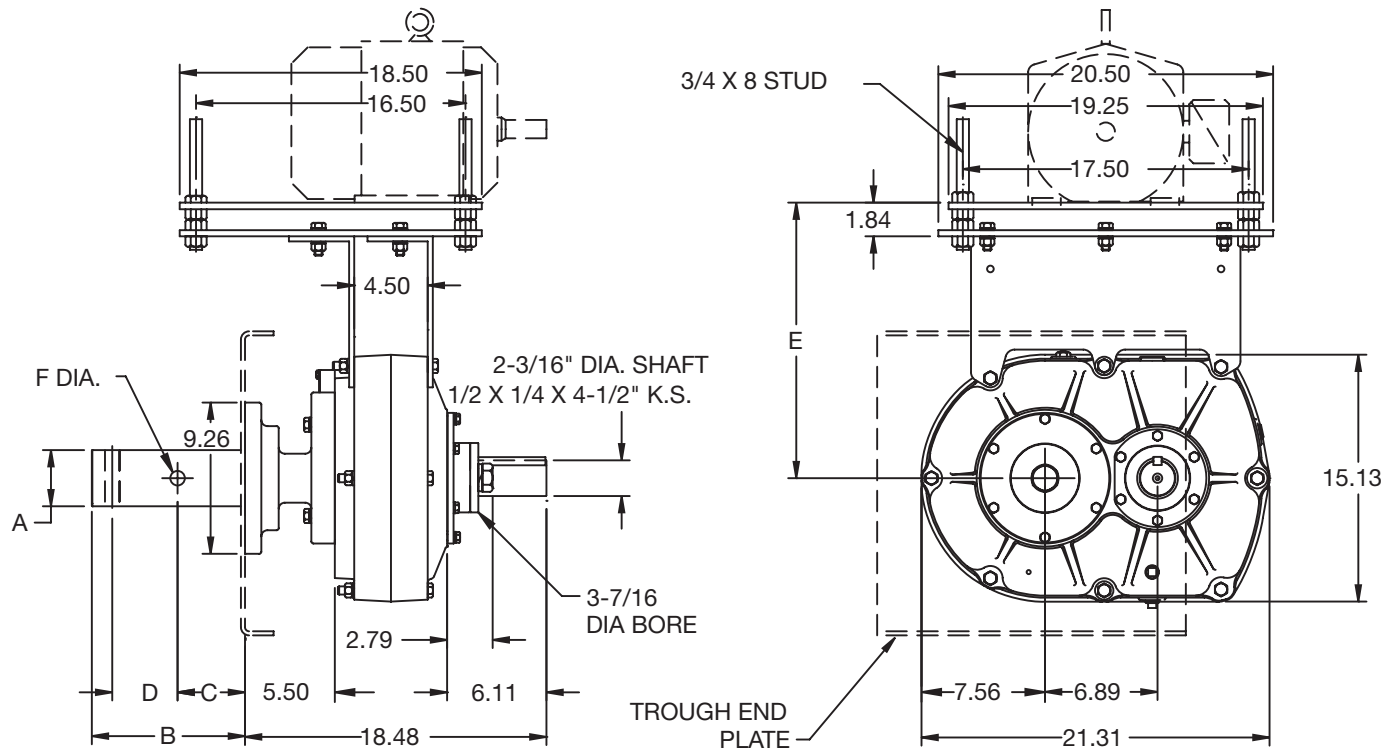
★ CEMA drive shaft and key is furnished unless otherwise specified. See pages G2-123 thru G2-125 for optional drive shafts available from DODGE.

FEATURES/BENEFITS PAGE G2-2	SPECIFICATION PAGE G2-9	MODIFICATION/ACCESSORIES PAGE G2-71	RELATED PRODUCTS PAGE G2-152
--------------------------------	----------------------------	--	---------------------------------



SELECTION/DIMENSIONS

Screw Conveyor Shaft Mount Speed Reducers SCXT605 - Single Reduction Screw Conveyor Drives



SCXT605 Screw Conveyor Drives†

Reducers				
Size	Part No.	AGMA Code	Ratio	Weight
SCXT605	356285	307S05	5.67	251

CEMA Drive Shafts ★									Adapter Assembly ▲		
Drive Shaft	Screw Dia.	Part No.	A	B	C	D	F Dia.	Weight	Size	Part No.	Weight
C6 x 2-7/16	12" - 14"	356042	2.44	6.69	2.75	3.00	.64	47.70	C6	356055	56
C6 x 3	12" - 20"	356043	3.00	6.88	2.88	3.00	.77	52.70			
C6 x 3-7/16	18" - 24"	356044	3.44	9.13	3.88	4.00	.89	63			

FEATURES/BENEFITS PAGE G2-2	SPECIFICATION PAGE G2-9	MODIFICATION/ACCESSORIES PAGE G2-71	RELATED PRODUCTS PAGE G2-152
--------------------------------	----------------------------	--	---------------------------------



SELECTION/DIMENSIONS

Screw Conveyor Shaft Mount Speed Reducers SCXT605 - Single Reduction Screw Conveyor Drives

Accessories for SCXT605 Reducers

Description	NEMA Motor Frame	Screw Dia.	Part No.	Weight
AC6 / AC7 Adjustable Packing Kit ♣			356306	2.4
M620 Standard Motor Mount	140T thru 320T	12"-20"	356069	105
M624L Long Motor Mount ♣	140T thru 320T	24"	272630	122
SCXT6S SCD Reducer Belt Guard	140T thru 320T	-	246478	77
SCXT6S SCD Reducer Belt Guard for Long Motor Mount ♣	140T thru 320T	-	246142	92
SCXT605 Cooling Fan Assembly ♣	-	-	272681	3
SCXT6 Auxiliary Seal Kit	-	-	272726	7
SCXT605 Lube Kit	-	-	LUBEKITXT605	24.3

SCXT605 Motor Mount Assembly Dimensions

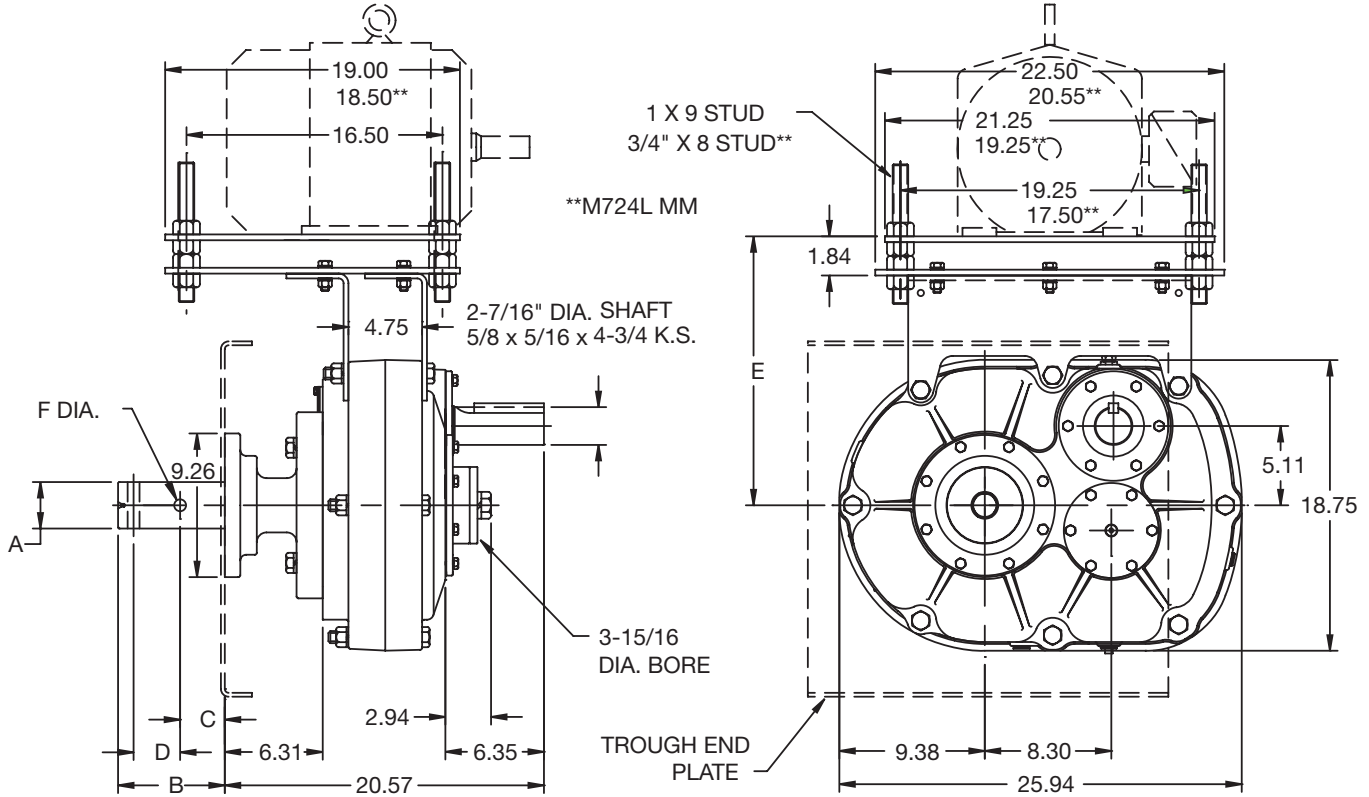
Motor Mount	E ♦		V-Belt Drive Center Distances for Various NEMA Motor Frames											
			56, 140		180		210		250		280		320	
	Min.	Max.	Min.	Max.	Min.	Max.	Min.	Max.	Min.	Max.	Min.	Max.	Min.	Max.
M620	16.7	21.4	21.1	25.1	22.1	26.1	22.8	26.8	23.8	27.9	24.6	28.6	25.6	29.6
M624L	22.7	27.4	27.2	31.1	28.2	32.1	29	32.8	30	33.8	30.7	34.6	31.7	35.5

- † For a complete SCXT drive, order a reducer, drive shaft and adapter assembly by their respective part numbers. Drive is shipped unassembled.
- ♣ AC Adjustable Packing Kit, with braided seals, is furnished if specified. It bolts to the C adapter.
- ♦ Provides for V-Belt adjustment.
- ♣ Made to order
- ▲ Includes adapter, necessary mounting bolts, seal retainer, and lip type seals. See page G2-122 for adapter bolt pattern details.
- ★ CEEMA drive shaft and key is furnished unless otherwise specified. See pages G2-123 thru G2-125 for optional drive shafts available from DODGE.



SELECTION/DIMENSIONS

Screw Conveyor Shaft Mount Speed Reducers SCXT7A - Double Reduction Screw Conveyor Drives



SCXT7A Screw Conveyor Drives†

Reducers				
Size	Part No.	AGMA Code	Ratio	Weight
SCXT709A	247480 ♣	315D09	9.61	462
SCXT715A	356256 ♣	315D15	15.23	462
SCXT725A	356257	315D25	24.59	462

CEMA Drive Shafts ★									Adapter Assembly ▲		
Drive Shaft	Screw Dia.	Part No.	A	B	C	D	F Dia.	Weight	Size	Part No.	Weight
C7 x 2-7/16	12" - 14"	356182 ♣	2.44	6.69	2.75	3.00	.64	58	C7	356187	72
C7 x 3	12" - 20"	356183	3.00	6.88	2.88	3.00	.77	70			
C7 x 3-7/16	18" - 24"	356184	3.44	9.13	3.88	4.00	.89	80.30			



SELECTION/DIMENSIONS

Screw Conveyor Shaft Mount Speed Reducers SCXT7A - Double Reduction Screw Conveyor Drives

Accessories for SCXT7A Reducers

Description	NEMA Motor Frame	Screw Dia.	Part No.	Weight
AC6 / AC7 Adjustable Packing Kit ♣			356306	2.4
M720 Standard Motor Mount	140T thru 360T	12"-20"	356269	106
M724L Long Motor Mount ♣ ●	140T thru 320T	24"	272631	130
SCXT7D SCD Reducer Belt Guard	140T thru 360T	-	247474	75
SCXT7D SCD Reducer Belt Guard for Long Motor Mount	140T thru 320T	-	247153	90
SCXT7 Cooling Fan Assembly	-	-	272326	6
SCXT7 Auxiliary Seal Kit	-	-	272727	8
SCXT7 Lube Kit	-	-	LUBEKITTXT7	34.7

SCXT7A Motor Mount Assembly Dimensions

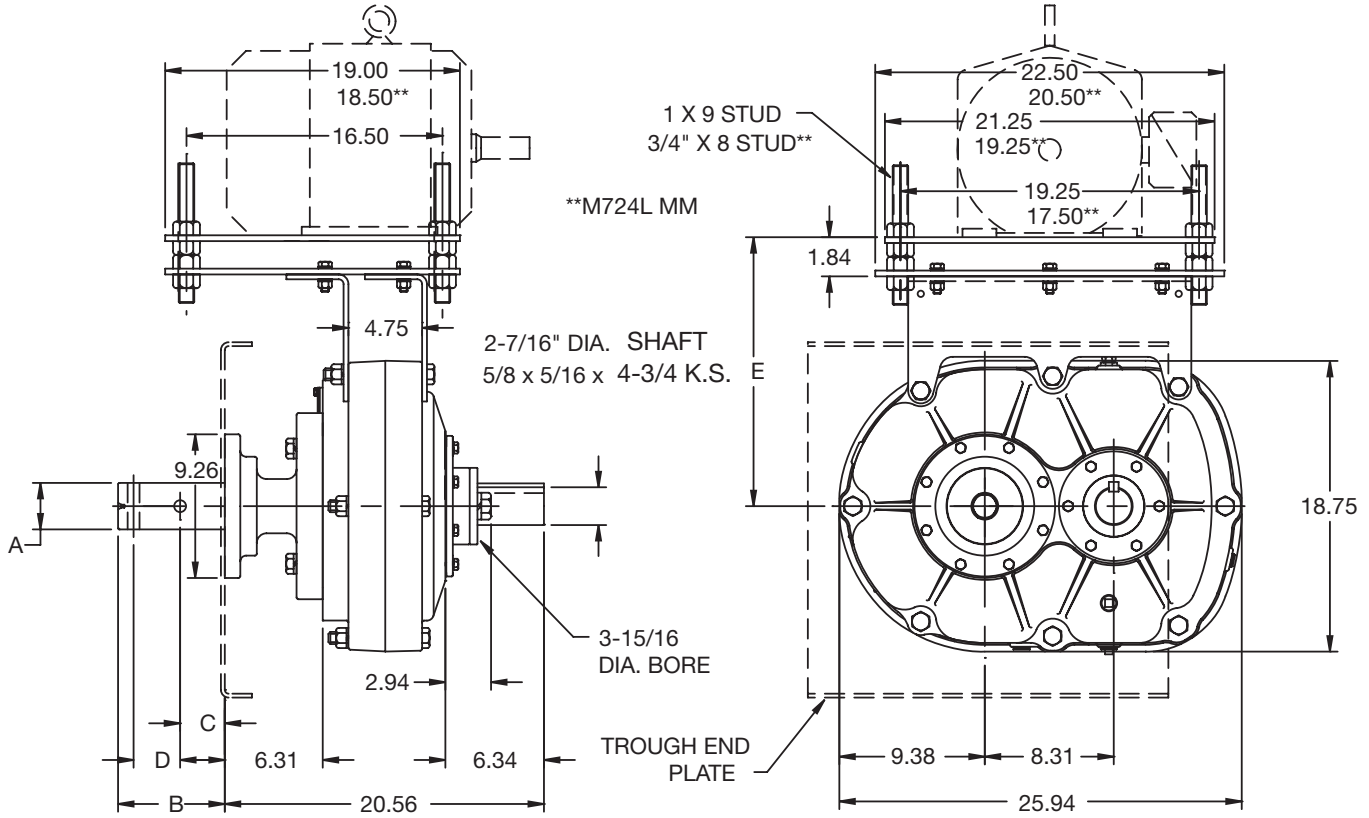
Motor Mount	E ◆		V-Belt Drive Center Distances for Various NEMA Motor Frames													
			56,140		180		210		250		280		320		360	
	Min.	Max.	Min.	Max.	Min.	Max.	Min.	Max.	Min.	Max.	Min.	Max.	Min.	Max.	Min.	Max.
M720	17.5	21.7	17.1	20.5	18.1	21.5	18.8	22.2	19.8	23.2	20.5	24.0	21.5	25.0	22.5	26.0
M724L	23.5	27.7	22.4	26.1	23.3	27.1	24.1	27.8	25.0	28.8	25.8	29.5	26.8	30.5	---	---

- † For a complete SCXT drive, order a reducer, drive shaft and adapter assembly by their respective part numbers. Drive is shipped unassembled.
- ♣ AC Adjustable Packing Kit, with braided seals, is furnished if specified. It bolts to the C adapter.
- ◆ Provides for V-Belt adjustment.
- ♣ Made to order
- ▲ Includes adapter, necessary mounting bolts, seal retainer and lip type seals. See page G2-122 for adapter bolt pattern details.
- ★ CEMA drive shaft and key is furnished unless otherwise specified. See pages G2-123 thru G2-125 for optional drive shafts available from DODGE.
- Drawing dimensions are noted as **



SELECTION/DIMENSIONS

Screw Conveyor Shaft Mount Speed Reducers SCXT705 - Single Reduction Screw Conveyor Drives



SCXT705 Screw Conveyor Drives†

Reducers				
Size	Part No.	AGMA Code	Ratio	Weight
SCXT705	356295 ♣	315S05	5.36	410

CEMA Drive Shafts ★									Adapter Assembly ▲		
Drive Shaft	Screw Dia.	Part No.	A	B	C	D	F Dia.	Weight	Size	Part No.	Weight
C7 x 2-7/16	12" - 14"	356182 ♣	2.44	6.69	2.75	3	0.64	58	C7	356187	72
C7 x 3	12" - 20"	356183	3	6.88	2.88	3	0.77	70			
C7 x 3-7/16	18" - 24"	356184	3.44	9.13	3.88	4	0.89	80.3			

FEATURES/BENEFITS PAGE G2-2	SPECIFICATION PAGE G2-9	MODIFICATION/ACCESSORIES PAGE G2-71	RELATED PRODUCTS PAGE G2-152
--------------------------------	----------------------------	--	---------------------------------



SELECTION/DIMENSIONS

Screw Conveyor Shaft Mount Speed Reducers SCXT705 - Single Reduction Screw Conveyor Drives

Accessories for SCXT705 Reducers

Description	NEMA Motor Frame	Screw Dia.	Part No.	Weight
AC6 / AC7 Adjustable Packing Kit ▲			356306	2.4
M720 Standard Motor Mount	140T thru 360T	12"-20"	356269	106
M724L Long Motor Mount ♣ ●	140T thru 320T	24"	272631	130
SCXT7S SCD Reducer Belt Guard	140T thru 360T	-	247476	84
SCXT7S SCD Reducer Belt Guard for Long Motor Mount	140T thru 320T	-	247149	100
SCXT705 Cooling Fan Assembly ♣	-	-	272685	6
SCXT705 Auxiliary Seal Kit	-	-	272727	8
SCXT705 Lube Kit	-	-	LUBEKITXT705	39.3

SCXT705 Motor Mount Assembly Dimensions

Motor Mount	E ◆		V-Belt Drive Center Distances for Various NEMA Motor Frames													
			56,140		180		210		250		280		320		360	
	Min.	Max.	Min.	Max.	Min.	Max.	Min.	Max.	Min.	Max.	Min.	Max.	Min.	Max.	Min.	Max.
M720	17.5	21.7	22.1	25.6	23.1	26.5	23.8	27.3	24.8	28.3	25.6	29.0	26.6	30.0	27.5	31.0
M724L	23.5	27.7	27.3	31.1	28.3	32.1	29.1	32.9	30.1	33.9	30.8	34.7	31.8	35.6	-	-

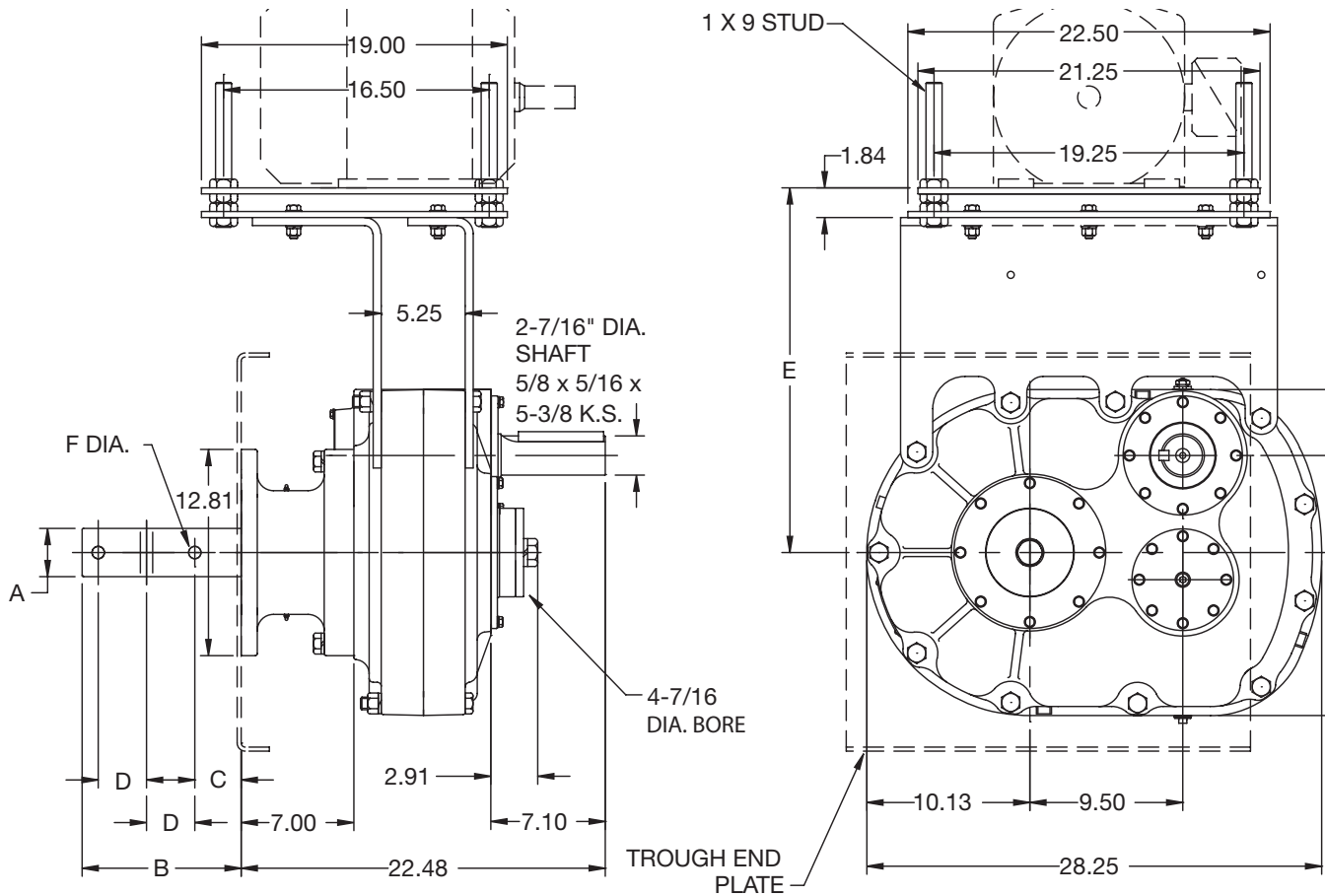
- † For a complete SCXT drive, order a reducer, drive shaft and adapter assembly by their respective part numbers. Drive is shipped unassembled.
- ▲ Includes adapter, necessary mounting bolts, seal retainer and lip type seals. See page G2-122 for adapter bolt pattern details.
- ♣ AC Adjustable Packing Kit, with braided seals, is furnished if specified. It bolts to the C adapter.
- ★ CEMA drive shaft and key is furnished unless otherwise specified. See pages G2-123 thru G2-125 for optional drive shafts available from DODGE.
- ◆ Provides for V-Belt adjustment.
- ♣ Made to order.
- Drawing dimensions are noted as **

FEATURES/BENEFITS PAGE G2-2	SPECIFICATION PAGE G2-9	MODIFICATION/ACCESSORIES PAGE G2-71	RELATED PRODUCTS PAGE G2-152
--------------------------------	----------------------------	--	---------------------------------



SELECTION/DIMENSIONS

Screw Conveyor Shaft Mount Speed Reducers SCXT8A - Double Reduction Screw Conveyor Drives



SCXT8A Screw Conveyor Drives†

Reducers				
Size	Part No.	AGMA Code	Ratio	Weight
SCXT815A	248464 ♣	407D15	15.08	633
SCXT825A	248465 ♣	407D25	24.62	633

CEMA Drive Shafts ★									Adapter Assembly ▲		
Drive Shaft	Screw Dia.	Part No.	A	B	C	D	F Dia.	Weight	Size	Part No.	Weight
C8 X 3	12" - 20"	248473 ♣	3.00	9.88	2.88	3.00	.77	88	C8 ♣	248470 ♣	90
C8 X 3-7/16	18" - 24"	248474 ♣	3.44	13.13	3.88	4.00	.89	100			

FEATURES/BENEFITS PAGE G2-2	SPECIFICATION PAGE G2-9	MODIFICATION/ACCESSORIES PAGE G2-71	RELATED PRODUCTS PAGE G2-152
--------------------------------	----------------------------	--	---------------------------------



SELECTION/DIMENSIONS

Screw Conveyor Shaft Mount Speed Reducers SCXT8A - Double Reduction Screw Conveyor Drives

Accessories for SCXT8A Reducers

Description	NEMA Motor Frame	Screw Dia.	Part No.	Weight
M824L Long Motor Mount ♣	210T thru 360T	12" - 24"	248469	163
SCXT8D SCD Reducer Belt Guard ♣	210T thru 360T	---	248477	113
SCXT8 Cooling Fan Assembly	---	---	272327	9
SCXT8 Auxiliary Seal Kit ♣	---	---	248484	10
SCXT8 Lube Kit	---	---	LUBEKITTXT8	40.5

SCXT8A Motor Mount Assembly Dimensions

Motor Mount	E ♦		V-Belt Drive Center Distances for Various NEMA Motor Frames													
			56,140		180		210		250		280		320		360	
	Min.	Max.	Min.	Max.	Min.	Max.	Min.	Max.	Min.	Max.	Min.	Max.	Min.	Max.	Min.	Max.
M824	22.70	28.60	---	---	---	---	23.3	28.4	24.3	29.4	25.1	30.1	26.0	31.1	27.0	32.1

- † For a complete SCXT drive, order a reducer, drive shaft and adapter assembly by their respective part numbers. Drive is shipped unassembled.
- ♣ Totally enclosed adapter is standard for SCXT8A screw conveyor drive reducer.
- ♦ Provides for V-Belt adjustment.

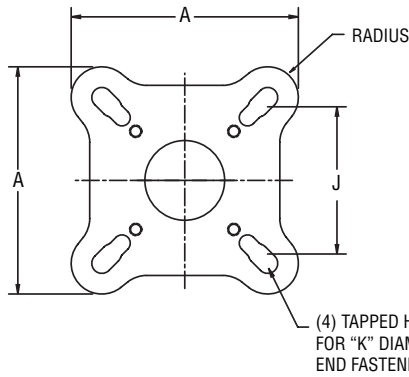
- ▲ Includes adapter, necessary mounting bolts, seal retainer and lip type seals. See page G2-122 for adapter bolt pattern details.
- ★ CEMA drive shaft and key is furnished unless otherwise specified. See pages G2-123 thru G2-125 for optional drive shafts available from DODGE.
- ♣ Made to order

FEATURES/BENEFITS PAGE G2-2	SPECIFICATION PAGE G2-9	MODIFICATION/ACCESSORIES PAGE G2-71	RELATED PRODUCTS PAGE G2-152
--------------------------------	----------------------------	--	---------------------------------

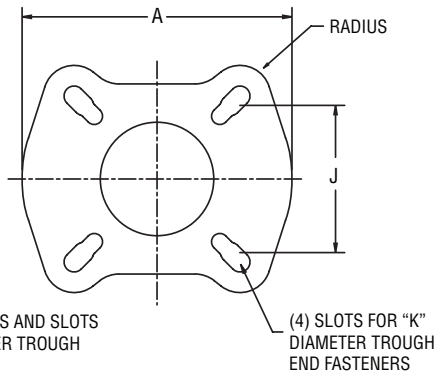


Screw Conveyor Shaft Mount Reducers SCXT Screw Conveyor Adapters

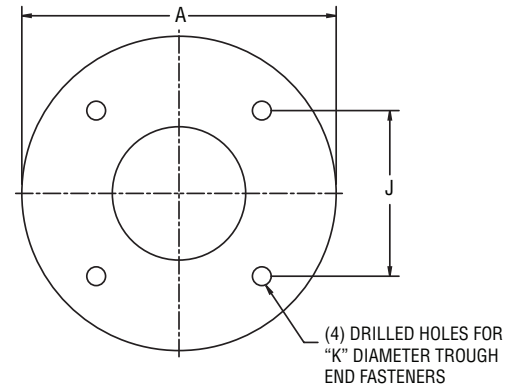
SCXT Sizes 1-6



SCXT Size 7



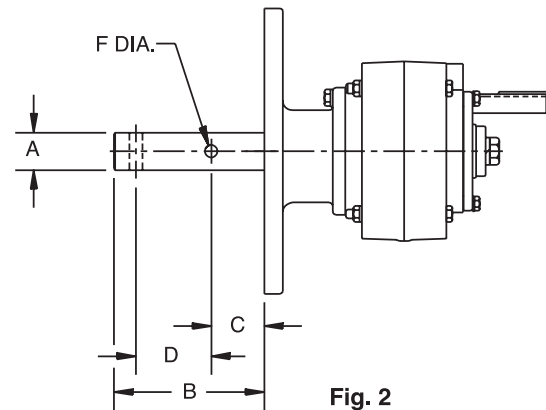
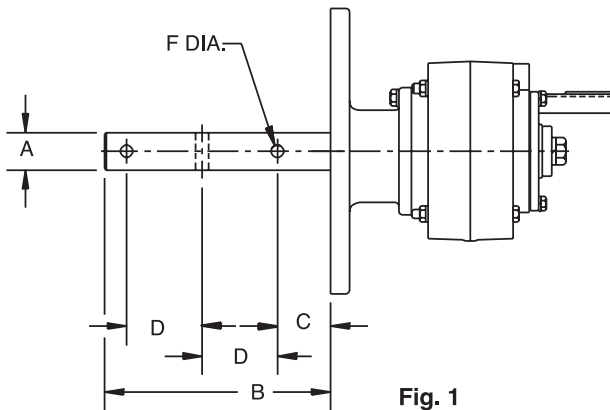
SCXT Size 8



Reducer Size	Drive Shaft Diameter	J	K	A	Radius
SCXT 1	1-1/2	4	1/2	7.75	0.875
	2	5-1/8	5/8	7.75	0.875
	2-7/16	5-5/8	5/8	7.75	0.875
	3	6	3/4	7.75	0.875
SCXT 2	1-1/2	4	1/2	7.75	0.875
	2	5-1/8	5/8	7.75	0.875
	2-7/16	5-5/8	5/8	7.75	0.875
	3	6	3/4	7.75	0.875
SCXT 3	1-1/2	4	1/2	8.50	1.25
	2	5-1/8	5/8	8.50	1.25
	2-7/16	5-5/8	5/8	8.50	1.25
	3	6	3/4	8.50	1.25
SCXT 4	1-1/2	4	1/2	9.26	1.25
	2	5-1/8	5/8	9.26	1.25
	2-7/16	5-5/8	5/8	9.26	1.25
	3	6	3/4	9.26	1.25
	3-7/16	6-3/4	3/4	9.26	1.25
SCXT 5	2	5-1/8	5/8	9.26	1.25
	2-7/16	5-5/8	5/8	9.26	1.25
	3	6	3/4	9.26	1.25
	3-7/16	6-3/4	3/4	9.26	1.25
SCXT 6	2-7/16	5-5/8	5/8	9.26	1.25
	3	6	3/4	9.26	1.25
	3-7/16	6-3/4	3/4	9.26	1.25
SCXT 7	2-7/16	5-5/8	5/8	11.00	1.25
	3	6	3/4	11.00	1.25
	3-7/16	6-3/4	3/4	11.00	1.25
SCXT 8	3	6	3/4	12.81	n/a
	3-7/16	6-3/4	3/4	12.81	n/a



Screw Conveyor Shaft Mount Speed Reducers SCXT Screw Conveyor Drive Optional Drive Shafts



Optional Drive Shafts for SCXT1A Reducers ♣

Description	Drive Shaft	Screw Dia.	Part No.	Figure	A	B	C	D	F	Weight
Stainless Steel * Drive Shafts	C1 x 1-1/2	6" - 9"	351147	2	1.50	6.00	2.13	3.00	0.52	7.20
	C1 x 2	9" - 12"	351148	2	2.00	6.00	2.13	3.00	0.64	9.10
	C1 x 2-7/16	12" - 14"	351149	2	2.44	6.69	2.75	3.00	0.64	12.50
	C1 x 3	12" - 20"	351150	2	3.00	6.88	2.88	3.00	0.77	17.40
3-Hole Drive Shafts	C1 x 1-1/2	6" - 9"	351300	1	1.50	9.00	2.13	3.00	0.52	8.70
	C1 x 2	9" - 12"	351301	1	2.00	9.00	2.13	3.00	0.64	11.80
	C1 x 2-7/16	12" - 14"	351302	1	2.44	9.69	2.75	3.00	0.64	16.40
	C1 x 3	12" - 20"	351303	1	3.00	9.88	2.88	3.00	0.77	23.40
Stainless Steel * 3-Hole Drive Shafts	C1 x 1-1/2	6" - 9"	351025	1	1.50	9.00	2.13	3.00	0.52	8.70
	C1 x 2	9" - 12"	351026	1	2.00	9.00	2.13	3.00	0.64	11.80
	C1 x 2-7/16	12" - 14"	351027	1	2.44	9.69	2.75	3.00	0.64	16.40
	C1 x 3	12" - 20"	351028	1	3.00	9.88	2.88	3.00	0.77	23.40

Optional Drive Shafts for SCXT2A Reducers ♣

Description	Drive Shaft	Screw Dia.	Part No.	Figure	A	B	C	D	F	Weight
Stainless Steel * Drive Shafts	C2 x 1-1/2	6" - 9"	352160	2	1.50	6.00	2.13	3.00	0.52	11.40
	C2 x 2	9" - 12"	352161	2	2.00	6.00	2.13	3.00	0.64	13.80
	C2 x 2-7/16	12" - 14"	352162	2	2.44	6.69	2.75	3.00	0.64	17.30
	C2 x 3	12" - 20"	352163	2	3.00	6.88	2.88	3.00	0.77	19
3-Hole Drive Shafts	C2 x 1-1/2	6" - 9"	351305	1	1.50	9.00	2.13	3.00	0.52	12.90
	C2 x 2	9" - 12"	351306	1	2.00	9.00	2.13	3.00	0.64	16.50
	C2 x 2-7/16	12" - 14"	351307	1	2.44	9.69	2.75	3.00	0.64	21.20
	C2 x 3	12" - 20"	351308	1	3.00	9.88	2.88	3.00	0.77	25
Stainless Steel * 3-Hole Drive Shafts	C2 x 1-1/2	6" - 9"	352186	1	1.50	9.00	2.13	3.00	0.52	12.90
	C2 x 2	9" - 12"	352187	1	2.00	9.00	2.13	3.00	0.64	16.50
	C2 x 2-7/16	12" - 14"	352188	1	2.44	9.69	2.75	3.00	0.64	21.20
	C2 x 3	12" - 20"	352189	1	3.00	9.88	2.88	3.00	0.77	25

* Supplied as #316 stainless steel.

♣ Made to order. Consult DODGE for lead time.

FEATURES/BENEFITS PAGE G2-2	SPECIFICATION PAGE G2-9	RELATED PRODUCTS PAGE G2-152	RENEWAL PARTS PAGE G2-166
--------------------------------	----------------------------	---------------------------------	------------------------------



Screw Conveyor Shaft Mount Speed Reducers

Optional Drive Shafts for SCXT3B and SCXT305A Reducers ♣

Description	Drive Shaft	Screw Dia.	Part No.	Figure	A	B	C	D	F	Weight
Stainless Steel *	C3A x 1-1/2	9"	243446	2	1.50	6.00	2.13	3.00	0.52	15
	C3A x 2	9" - 12"	243447	2	2.00	6.00	2.13	3.00	0.64	16
	C3A x 2-7/16	12" - 14"	243448	2	2.44	6.69	2.75	3.00	0.64	19.50
	C3A x 3	12" - 20"	243449	2	3.00	6.88	2.88	3.00	0.77	26
Drive Shafts 3-Hole Drive Shafts	C3A x 1-1/2	9"	243016	1	1.50	9.00	2.13	3.00	0.52	16.50
	C3A x 2	9" - 12"	243017	1	2.00	9.00	2.13	3.00	0.64	18.70
	C3A x 2-7/16	12" - 14"	243018	1	2.44	9.69	2.75	3.00	0.64	23.40
	C3A x 3	12" - 20"	243019	1	3.00	9.88	2.88	3.00	0.77	32
Stainless Steel * 3-Hole Drive Shafts	C3A x 1-1/2	9"	353180	1	1.50	9.00	2.13	3.00	0.52	16.50
	C3A x 2	9" - 12"	353181	1	2.00	9.00	2.13	3.00	0.64	18.70
	C3A x 2-7/16	12" - 14"	353182	1	2.44	9.69	2.75	3.00	0.64	23.40
	C3A x 3	12" - 20"	353183	1	3.00	9.88	2.88	3.00	0.77	32

Optional Drive Shafts for SCXT4B and SCXT405A Reducers ♣

Description	Drive Shaft	Screw Dia.	Part No.	Figure	A	B	C	D	F	Weight
Stainless Steel * Drive Shafts	C4A x 1-1/2	9"	244680	2	1.50	6.00	2.13	3.00	0.52	19
	C4A x 2	9" - 12"	244681	2	2.00	6.00	2.13	3.00	0.64	20.80
	C4A x 2-7/16	12" - 14"	244682	2	2.44	6.69	2.75	3.00	0.64	24.30
	C4A x 3	12" - 20"	244683	2	3.00	6.88	2.88	3.00	0.77	29.20
	C4A x 3-7/16	18" - 24"	244684	2	3.44	9.13	3.88	4.00	0.89	39.30
3-Hole Drive Shafts	C4A x 1-1/2	9"	244494	1	1.50	9.00	2.13	3.00	0.52	20.50
	C4A x 2	9" - 12"	244496	1	2.00	9.00	2.13	3.00	0.64	23.50
	C4A x 2-7/16	12" - 14"	244497	1	2.44	9.69	2.75	3.00	0.64	28.20
	C4A x 3	12" - 20"	244498	1	3.00	9.88	2.88	3.00	0.77	35.20
	C4A x 3-7/16	18" - 24"	244499	1	3.44	14.13	3.88	4.00	0.89	49.80
Stainless Steel * 3-Hole Drive Shafts	C4A x 1-1/2	9"	354351	1	1.50	9.00	2.13	3.00	0.52	20.50
	C4A x 2	9" - 12"	354352	1	2.00	9.00	2.13	3.00	0.64	23.50
	C4A x 2-7/16	12" - 14"	354353	1	2.44	9.69	2.75	3.00	0.64	28.20
	C4A x 3	12" - 20"	354354	1	3.00	9.88	2.88	3.00	0.77	35.20
	C4A x 3-7/16	18" - 24"	354355	1	3.44	14.13	3.88	4.00	0.89	49.80

Optional Drive Shafts for SCXT5C and SCXT505A Reducers ♣

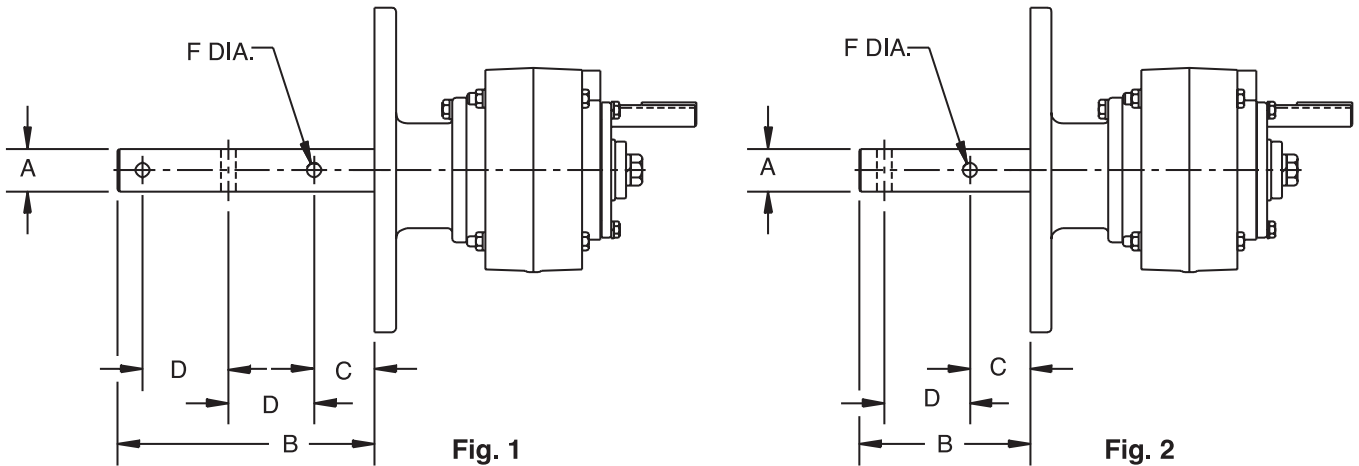
Description	Drive Shaft	Screw Dia.	Part No.	Figure	A	B	C	D	F	Weight
Stainless Steel * Drive Shafts	C5B x 2	9" - 12"	245651	2	2.00	6.00	2.13	3.00	0.64	29.40
	C5B x 2-7/16	12" - 14"	245652	2	2.44	6.69	2.75	3.00	0.64	33
	C5B x 3	12" - 20"	245653	2	3.00	6.88	2.88	3.00	0.77	37.90
	C5B x 3-7/16	18" - 24"	245654	2	3.44	9.13	3.88	4.00	0.89	48.30
3-Hole Drive Shafts	C5B x 2	9" - 12"	245474	1	2.00	9.00	2.13	3.00	0.64	32.10
	C5B x 2-7/16	12" - 14"	245476	1	2.44	9.69	2.75	3.00	0.64	36.90
	C5B x 3	12" - 20"	245477	1	3.00	9.88	2.88	3.00	0.77	43.90
	C5B x 3-7/16	18" - 24"	245478	1	3.44	14.13	3.88	4.00	0.89	58.80
Stainless Steel * 3-Hole Drive Shafts	C5B x 2	9" - 12"	355225	1	2.00	9.00	2.13	3.00	0.64	32.10
	C5B x 2-7/16	12" - 14"	355226	1	2.44	9.69	2.75	3.00	0.64	36.90
	C5B x 3	12" - 20"	355227	1	3.00	9.88	2.88	3.00	0.77	43.90
	C5B x 3-7/16	18" - 24"	355228	1	3.44	14.13	3.88	4.00	0.89	58.80

* Supplied as # 316 stainless steel.

♣ Made to order. Consult DODGE for lead time.



Screw Conveyor Shaft Mount Speed Reducers SCXT Screw Conveyor Drive Optional Drive Shafts (Continued)



Optional Drive Shafts for SCXT6A Reducers ♣

Description	Drive Shaft	Screw Dia.	Part No.	Figure	A	B	C	D	F	Weight
Stainless Steel * Drive Shafts	C6 x 2-7/16	12" - 14"	356014	2	2.44	6.69	2.75	3.00	0.64	47.7
	C6 x 3	12" - 20"	356015	2	3.00	6.88	2.88	3.00	0.77	52.7
	C6 x 3-7/16	18" - 24"	356016	2	3.44	9.13	3.88	4.00	0.89	63.0
3-Hole Drive Shafts	C6 x 2-7/16	12" - 14"	351327	1	2.44	9.69	2.75	3.00	0.64	51.6
	C6 x 3	12" - 20"	351328	1	3.00	9.88	2.88	3.00	0.77	58.7
	C6 x 3-7/16	18" - 24"	351329	1	3.44	14.13	3.88	4.00	0.89	73.5
Stainless Steel * 3-Hole Drive Shafts	C6 x 2-7/16	12" - 14"	356275	1	2.44	9.69	2.75	3.00	0.64	51.6
	C6 x 3	12" - 20"	356276	1	3.00	9.88	2.88	3.00	0.77	58.7
	C6 x 3-7/16	18" - 24"	356277	1	3.44	14.13	3.88	4.00	0.89	73.5

Optional Drive Shafts for SCXT7A Reducers ♣

Description	Drive Shaft	Screw Dia.	Part No.	Figure	A	B	C	D	F	Weight
Stainless Steel * Drive Shafts	C7 x 2-7/16	12" - 14"	356240	2	2.44	6.69	2.75	3.00	0.64	58.0
	C7 x 3	12" - 20"	356241	2	3.00	6.88	2.88	3.00	0.77	70.0
	C7 x 3-7/16	18" - 24"	356242	2	3.44	9.13	3.88	4.00	0.89	80.3
3-Hole Drive Shafts	C7 x 2-7/16	12" - 14"	351332	1	2.44	9.69	2.75	3.00	0.64	61.9
	C7 x 3	12" - 20"	351333	1	3.00	9.88	2.88	3.00	0.77	76.0
	C7 x 3-7/16	18" - 24"	351334	1	3.44	14.13	3.88	4.00	0.89	90.8
Stainless Steel* 3-Hole Drive Shafts	C7 x 2-7/16	12" - 14"	356281	1	2.44	9.69	2.75	3.00	0.64	61.9
	C7 x 3	12" - 20"	356282	1	3.00	9.88	2.88	3.00	0.77	76.0
	C7 x 3-7/16	18" - 24"	356283	1	3.44	14.13	3.88	4.00	0.89	90.8

* Supplied as # 316 stainless steel.

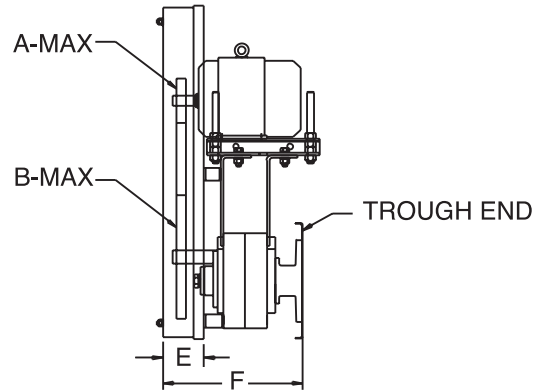
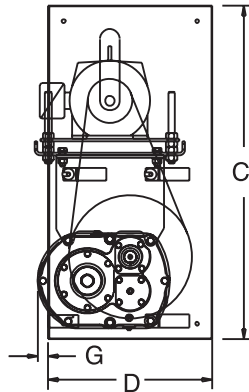
♣ Made to order. Consult DODGE for lead time.

NOTE: See page G2-120 for dimensions and part numbers for drive shafts available for SCXT8A Screw Conveyor Drives.

FEATURES/BENEFITS PAGE G2-2	SPECIFICATION PAGE G2-9	RELATED PRODUCTS PAGE G2-152	RENEWAL PARTS PAGE G2-166
--------------------------------	----------------------------	---------------------------------	------------------------------

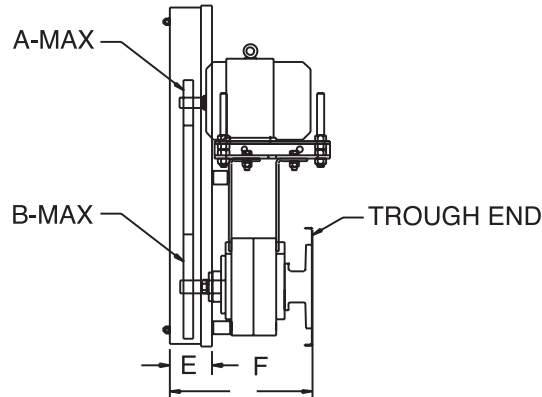
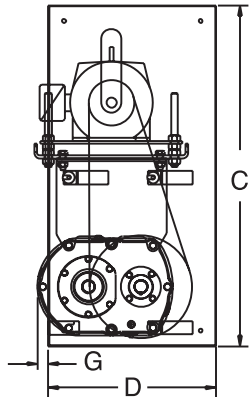


Screw Conveyor Shaft Mount Speed Reducers Slotted Metal Panel Belt Guards



Belt Guards For Double Reduction SCXT Reducers (9, 15, 25:1) With Standard Motor Mounts

Reducer Size	Belt Guard Size	Part Number	Motor Mount No.	Wt.	NEMA Motor Frame	Center Distance		A	B	C	D	E	F	G
						Min.	Max.							
SCXT1A	SCXT1D	241489	M 112L	21	56T-215T	13.5	19.0	5.0	12.0	27.5	13.0	3.5	12.5	1.00
SCXT2A	SCXT2D	242489	M 214L	32	56T-215T	14.9	20.0	5.0	12.0	30.0	14.0	3.8	13.5	0.875
SCXT3B	SCXT3D	243416 ▲	M 316L	40	56T-215T	15.8	22.0	6.0	14.0	32.5	16.0	4.0	14.6	1.06
SCXT4B	SCXT4D	244489	M 418L	44	143T-286T	16.9	24.5	7.0	15.0	37.0	17.0	5.0	16.8	1.78
SCXT5C	SCXT5D	245495▲	M 518L	45	143T-286T	16.6	25.2	7.0	15.0	37.0	18.0	4.3	18.9	3.25
SCXT6A	SCXT6D	246476	M 620L	60	143T-326T	17.0	25.5	8.0	18.0	41.0	20.0	6.0	21.4	4.38
SCXT7A	SCXT7D	247474	M 720L	75	143T-365T	17.1	26.0	10.0	20.0	43.0	23.0	6.0	23.5	6.25



Belt Guards For Double Reduction SCXT Reducers (5:1) With Standard Motor Mounts

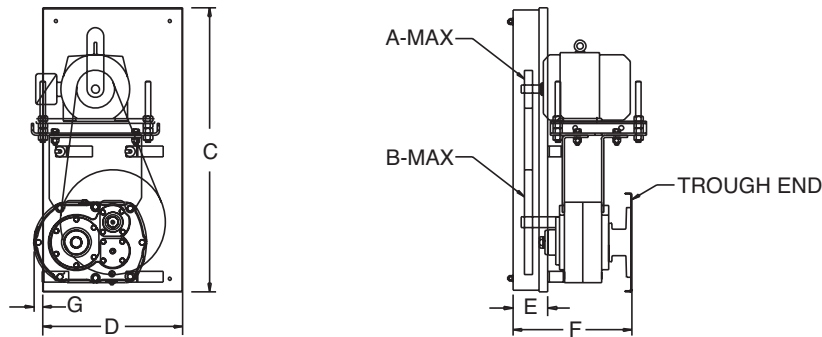
Reducer Size	Belt Guard Size	Part Number	Motor Mount No.	Wt.	NEMA Motor Frame	Center Distance		A	B	C	D	E	F	G
						Min.	Max.							
SCXT105	SCXT1S	241491	M 112	30	56T-215T	15.4	20.6	5.0 ■	12.0	31.0	13.50	3.50	12.50	0.38
SCXT205	SCXT2S	242491	M 214	34	56T-215T	17.0	22.2	6.0 ■	12.0	33.0	13.50	3.75	13.50	1.25
SCXT305A	SCXT3S	243418 ▲	M 316	40	56T-215T	18.2	24.4	7.0	12.0	35.0	13.50	4.00	14.63	2.38
SCXT405A	SCXT4S	244491	M 418	50	143T-286T	19.6	27.2	8.0	12.0	40.0	14.50	5.00	16.75	3.63
SCXT505A	SCXT5S	245497 ▲	M 518	70	143T-286T	19.7	28.2	8.0	12.0	40.0	14.50	5.50	18.91	5.68
SCXT605	SCXT6S	246478	M 620	77	143T-326T	21.1	29.6	10.0	16.0	45.0	18.00	6.00	21.44	5.97
SCXT705	SCXT7S	247476	M 720	84	143T-365T	22.1	31.0	10.0	16.0	45.5	19.00	6.00	23.53	9.25

■ Guard will interfere with floor when used with 6" screw unless trough is raised above floor.

▲ These belt guards do not fit the larger frame, higher H.P. motor mounts in SCXT Selection/Dimension pages. Consult DODGE for special belt guard.

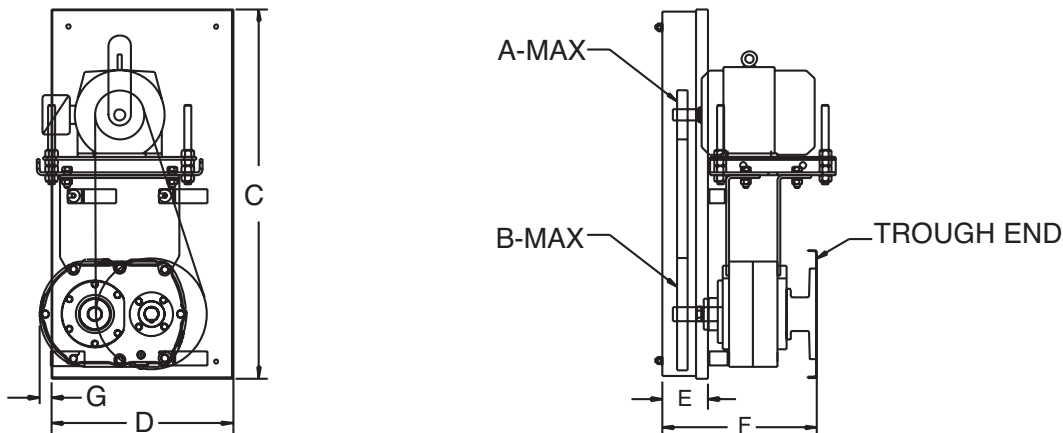


Screw Conveyor Shaft Mount Speed Reducers Slotted Metal Panel Belt Guards



Belt Guards For Double Reduction SCXT Reducers (9, 15, 25:1) With Long Motor Mounts

Reducer Size	Belt Guard Size	Part Number	Motor Mount No.	Wt.	NEMA Motor Frame	Center Distance		A	B	C	D	E	F	G
						Min.	Max.							
SCXT1A	SCXT1DLMM	241149	M120L	26	56T-215T	19.5	25.0	5.0	12.0	33.5	13.0	3.50	12.50	1.00
SCXT2A	SCXT2DLMM	242223	M220L	37	56T-215T	20.9	26.0	5.0	12.0	36.0	14.0	3.75	13.50	0.875
SCXT3B	SCXT3DLMM	243154 ▲	M320L	45	56T-215T	21.8	27.0	6.0	14.0	38.0	16.0	4.00	14.63	1.06
SCXT4B	SCXT4DLMM	244152 ▲	M424L	50	143T-286T	23.2	30.4	7.0	15.0	43.0	17.0	5.00	16.75	1.78
SCXT5C	SCXT5DLMM	245103 ▲	M524L	52	143T-286T	22.9	30.9	7.0	15.0	43.0	18.0	4.25	18.91	3.25
SCXT6A	SCXT6DLMM	246148	M624L	65	143T-326T	23.3	31.4	8.0	18.0	47.0	20.0	6.00	21.44	4.38
SCXT7A	SCXT7DLMM	247153 ▲	M724L	80	143T-326T	23.2	30.5	10.0	20.0	49.0	23.0	6.00	23.53	6.25
SCXT8A	SCXT8DLMM	248477 ♣	M824L	113	210T-360T	23.3	32.1	12.0	25.0	53.0	28.0	6.50	24.81	5.62



Belt Guards For Single Reduction SCXT Reducers (5:1) With Long Motor Mounts

Reducer Size	Belt Guard Size	Part Number	Motor Mount No.	Wt.	NEMA Motor Frame	Center Distance		A	B	C	D	E	F	G
						Min.	Max.							
SCXT105	SCXT1SLMM	241142	M120L	35	56T-215T	21.4	26.6	5.0 ■	12.0	37.0	13.5	3.50	12.50	0.38
SCXT205	SCXT2SLMM	242114	M220L	40	56T-215T	23.3	28.2	6.0 ■	12.0	39.0	13.5	3.75	13.50	1.25
SCXT305A	SCXT3SLMM	243167 ▲	M320L	45	56T-215T	24.2	29.4	7.0	12.0	41.0	13.5	4.00	14.63	2.38
SCXT405A	SCXT4SLMM	244167 ▲	M424L	55	143T-286T	25.9	33.2	8.0	12.0	46.0	14.5	5.00	16.75	3.63
SCXT505A	SCXT5SLMM	245015 ▲	M524L	70	143T-286T	26.0	33.2	8.0	12.0	46.0	14.5	5.50	18.91	5.68
SCXT605	SCXT6SLMM	246142	M624L	82	143T-326T	27.4	35.5	10.0	16.0	51.0	18.0	6.00	21.44	5.97
SCXT705	SCXT7SLMM	247149	M724L	90	143T-326T	28.2	35.6	10.0	16.0	51.5	19.0	6.00	23.53	9.25

■ Guard will interfere with floor when used with 6, screw unless trough is raised above floor.

▲ These belt guards do not fit the larger frame, higher H.P. motor mounts in SCXT Selection/Dimension pages. Consult DODGE for special belt guard.

♣ Made to order.

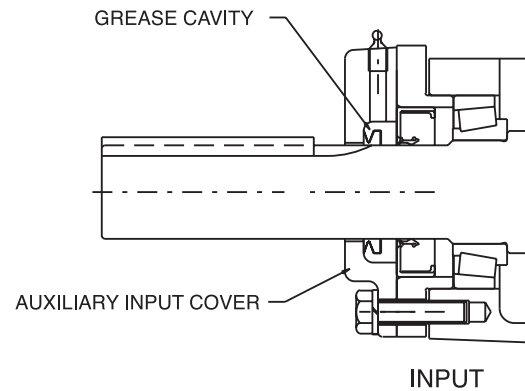
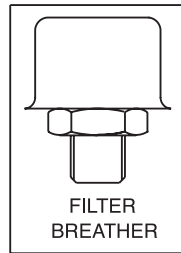
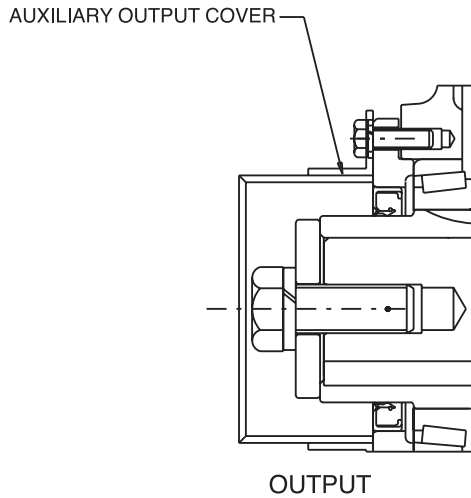
FEATURES/BENEFITS PAGE G2-2	SPECIFICATION PAGE G2-9	RELATED PRODUCTS PAGE G2-152	RENEWAL PARTS PAGE G2-166
--------------------------------	----------------------------	---------------------------------	------------------------------



Screw Conveyor Shaft Mount Speed Reducers Auxiliary Seal Kit For Screw Conveyor Drive Reducers

Screw conveyor drives often operate in harsh environments in which the input shaft side of the reducer ends up turning in such materials as sand, cement, saw dust and grain. These materials are very abrasive and often damage seals, bearings and gears. These damages can lead to costly repair bills and downtime. To help prevent these maintenance problems DODGE offers an Auxiliary Seal Kit to protect the input side of the reducer. The

kit contains a drive shaft end cover, special filter breather and a grease purged input seal with necessary mounting hardware. The auxiliary seals prevent contaminants from getting to the seal area and thus prevents them from entering the reducer. Use the auxiliary seal kit to get the longest possible life out of your DODGE Screw Conveyor Drive Reducer. Reducer housings on sizes SCXT1 and SCXT2 must be drilled and tapped to accommodate the input auxiliary seal.



Auxiliary Seal Kits for SCXT Reducers ●◆

Reducer Size	Nominal Ratio	Part Number	Nominal Ratio	Part Number ♣
SCXT1A	9, 15, 25	272721	5	251146
SCXT2A	9, 15, 25	272722	5	252146
SCXT3B	9, 15, 25	243582	5	253146
SCXT4B	9, 15, 25	244677	5	254146
SCXT5C	9, 15, 25	245637	5	255148
SCXT6A	5, 9, 15, 25	272726	-	-
SCXT7A	5, 9, 15, 25	272727	-	-
SCXT8A	15, 25	248484 ♣	-	-

Input Auxiliary Seal for SCXT Reducers ●■

Reducer Size	Nominal Ratio	Part Number	Nominal Ratio	Part Number
SCXT1A	9, 15, 25	241102	5	241109
SCXT2A	9, 15, 25	242102 ♣	5	242109 ♣
SCXT3B	9, 15, 25	243108	5	243109
SCXT4B	9, 15, 25	244117	5	244159 ♣
SCXT5C	9, 15, 25	245104	5	245106 ♣
SCXT6A	5, 9, 15, 25	246102	-	-
SCXT7A	5, 9, 15, 25	247102 ♣	-	-
SCXT8A	15, 25	248102	-	-

- ◆ Auxiliary seal kit consists of drive shaft end cover, filter breather, grease purged input seal and all mounting hardware.
- Input auxiliary seal is the grease purged input seal and hardware only. See page G2-177 for dimensions to drill and tap reducer housing for mounting of auxiliary input seal.
- Input auxiliary seals cannot be used on the same input shaft with a cooling fan
- ♣ Made to order.

FEATURES/BENEFITS PAGE G2-2	SPECIFICATION PAGE G2-9	RELATED PRODUCTS PAGE G2-152	RENEWAL PARTS PAGE G2-166
--------------------------------	----------------------------	---------------------------------	------------------------------



SELECTION

TORQUE-ARM Shaft Mount Speed Reducers

Easy Selection Method (For Hydraulic Motors)

When to Use Easy Selection

The Easy Selection tables for HXT Shaft Mount reducers are for hydraulic motor selections up to approximately horsepower with output speeds up to 400 RPM, using AGMA recommended application class numbers. For extreme repetitive shock loads, consult DODGE Application Engineering, (864) 284-5700

How to Select

Step 1: Determine Class of Service-See Table 1, G2-15 to determine Load Classification for applications under normal conditions. Find the type application and duty cycle that most closely matches your specific application.

Class I Steady load not exceeding Motor HP rating and light shock loads during 10 hours a day. Moderate shock loads are allowable if operation is intermittent.

For Class I applications, the maximum value of starting and momentary peak loads should not exceed 2 x Motor HP rating. If it exceeds this amount it should be divided by 2 and the result used in the selection table instead of the Motor HP rating.

Class II Steady load not exceeding Motor HP rating for over 10 hours a day. Moderate shock loads are allowable during 10 hours a day.

For Class II applications, the maximum value of starting and momentary peak loads should not exceed 2.8 x Motor HP rating. If it exceeds this amount it should be divided by 2.8 and the result used in the selection table instead of the Motor HP rating.

Class III Moderate shock loads for over 10 hours a day. Heavy shock loads are allowable during 10 hours a day.

For Class III applications, the maximum value of starting and momentary peak loads should not exceed 4 x Motor HP rating. If it exceeds this amount it should be divided by 4 and the result used in the selection table instead of the Motor HP rating.

Step 2: Determine Reducer Size-See the Easy Selection Tables, pages G2-130 thru G2-144. From Selection Table I, II or III read the reducer size for the application horsepower and output speed. Also compare the reducer/ motor running and starting torque, running pressure and flow rate with that required for the application. See Table 18, page G2-145 for maximum hydraulic motor starting pressure for HYDROIL Vane Motors.

Step 3: Compare Hollow Shaft Bore with the size of the driven shaft. All DODGE TORQUE-ARM Taper Bushed reducers require bushings. Refer to TXT reducer pages for available bushings. If the driven shaft is larger than the bore of the selected reducer, the shaft must be machined to the proper size, or select a larger reducer. Check driven shaft and key for strength.

Step 4: Check Dimensions-See Selection/Dimensions sections, pages G2-146 thru G2-149 for reducer dimensions, weights and part numbers. See Engineering/ Technical section, pages G2-173 and G2-176 for reducer and torque-arm rod mounting positions.

Step 5: Select a Hydroil Vane Motor-See Selection/ Dimensions pages for listing of HYDROIL Vane Motors required to drive each size and ratio of HXT reducer. See page G2-153 for dimensions and part numbers. **Note: 100 RPM is minimum speed for Hydroil Vane Motors.**

EXAMPLE: Easy Selecton Method - HXT TORQUE-ARM Reducer

A 3HP motor is used to drive the head shaft on a heavily loaded bucket elevator at 30 RPM, 16 hours per day. Head shaft diameter is 2-3/16". User wants to use a hydraulic motor as prime mover since drive is not in an easily accessible location.

Step 1: Determine Class of Service-From Table 1, page G2-15 locate "bucket elevators, heavily loaded" for over 10 hours per day. This load will be classified as a Class II application.

Step 2: Determine Reducer Size-From Table 13 -Class II Application, page G2-134, find the 30 RPM output column at the top of the table. Read down to the HP rating of 3HP or greater. At 3.6HP, trace to the far left column to find that the basic reducer size for the application is an HXT3. Either an HXT315 or an HXT325 may be used, depending on the starting torque requirements.

Step 3: Compare Hollow Shaft Bore of an HXT315/325 with the application driven shaft diameter. Per page G2-146, 2-3/16" is the maximum bore available for this size reducer, so it will work in this application. Select reducer bushing from part numbers listed with TXT reducers on page G2-39. Be sure to check driven shaft and key for strength.

Step 4: Check Dimensions and Weights-See Selection/ Dimensions section, page G2-146, for reducer dimensions, weights, part numbers and other pertinent drive dimensions. See Engineering/Technical section, pages G2-173 and G2-176 for information on reducer and torque-arm rod mounting positions.

Step 5: Select a Hydroil Vane Motor-See Selection/ Dimension page G2-146. Trace from Reducer size HXT315 right to column labeled Hydroil Motor. It must be driven by a size B30 Hydroil Vane Motor. Likewise a reducer size HXT325 is designed to be driven by an A20 Hydroil Vane Motor. See page G2-153 for the motor part numbers and dimensions.

FEATURES/BENEFITS PAGE G2-2	SPECIFICATION PAGE G2-9	RELATED PRODUCTS PAGE G2-152	RENEWAL PARTS PAGE G2-166
--------------------------------	----------------------------	---------------------------------	------------------------------



EASY SELECTION

HYDROIL TORQUE-ARM Shaft Mount Speed Reducers

Table 12 - Class I Selection Table HXT Reducers - Double Reduction
HXT-115A - HXT425B

Reducer Size	Requirements ★	Output Speed										
		10	15	20	25	30	35	40	45	50	55	60
HXT-115A	OUTPUT HP (RUN)	0.6	0.9	1.2	1.4	1.7	1.9	2.2	2.4	2.7	2.9	3.1
	Running Torque (lb.-in.)	4025	3776	3651	3577	3527	3491	3465	3396	3342	3298	3260
	Starting Torque (lb.-in.)	4025	4025	4025	4025	4025	4025	4025	4025	4025	4025	4025
	Running Pressure (psi)	1685	1581	1529	1498	1477	1462	1451	1422	1399	1381	1365
	Flow Rate (gpm)	2.0	2.3	2.7	3.0	3.4	3.8	4.1	4.5	4.9	5.2	5.6
HXT-125A	OUTPUT HP (RUN)	0.5	0.8	1.1	1.3	1.6	1.9	2.2	2.4	2.7	2.9	3.1
	Running Torque (lb.-in.)	3403	3403	3403	3403	3403	3403	3403	3396	3342	3298	3260
	Starting Torque (lb.-in.)	2868	2868	2868	2868	2868	2868	2868	2868	2868	2868	2868
	Running Pressure (psi)	2000	2000	2000	2000	2000	2000	2000	1996	1964	1938	1916
	Flow Rate (gpm)	1.5	1.8	2.1	2.3	2.6	2.9	3.2	3.4	3.7	3.9	4.2
HXT-215A	OUTPUT HP (RUN)	0.7	1.0	1.4	1.7	2.1	2.4	2.8	3.1	3.5	3.8	4.2
	Running Torque (lb.-in.)	4387	4387	4387	4387	4387	4387	4387	4387	4387	4387	4387
	Starting Torque (lb.-in.)	3697	3697	3697	3697	3697	3697	3697	3697	3697	3697	3697
	Running Pressure (psi)	2000	2000	2000	2000	2000	2000	2000	2000	2000	2000	2000
	Flow Rate (gpm)	2.2	2.6	2.9	3.3	3.6	4.0	4.3	4.7	5.0	5.4	5.7
HXT-225A	OUTPUT HP (RUN)	1.1	1.6	2.1	2.6	3.0	3.5	4.0	4.4	4.8	5.2	5.6
	Running Torque (lb.-in.)	7245	6824	6613	6486	6402	6342	6297	6171	6070	5988	5919
	Starting Torque (lb.-in.)	6152	6152	6152	6152	6152	6152	6152	6152	6152	6152	6152
	Running Pressure (psi)	1985	1870	1812	1777	1754	1737	1725	1691	1663	1640	1622
	Flow Rate (gpm)	2.7	3.2	3.7	4.3	4.8	5.4	6.0	6.5	7.1	7.6	8.2
HXT-315B	OUTPUT HP (RUN)	1.8	2.6	3.4	4.3	5.1	5.9	6.8	7.4	8.1	8.7	9.4
	Running Torque (lb.-in.)	11098	10894	10791	10730	10689	10660	10638	10379	10171	10001	9860
	Starting Torque (lb.-in.)	17190	17190	17190	17190	17190	17190	17190	17190	17190	17190	17190
	Running Pressure (psi)	1523	1495	1481	1473	1467	1463	1460	1425	1396	1373	1353
	Flow Rate (gpm)	4.6	5.7	6.9	8.0	9.2	10.3	11.5	12.6	13.7	14.8	15.9
HXT-325B	OUTPUT HP (RUN)	1.2	1.8	2.4	3.0	3.7	4.3	4.9	5.5	6.1	6.7	7.3
	Running Torque (lb.-in.)	7689	7689	7689	7689	7689	7689	7689	7689	7689	7689	7689
	Starting Torque (lb.-in.)	6479	6479	6479	6479	6479	6479	6479	6479	6479	6479	6479
	Running Pressure (psi)	2000	2000	2000	2000	2000	2000	2000	2000	2000	2000	2000
	Flow Rate (gpm)	2.7	3.4	4.0	4.6	5.2	5.8	6.4	7.0	7.6	8.3	8.9
HXT-415B	OUTPUT HP (RUN)	2.6	3.9	5.1	6.3	7.5	8.7	9.9	11.0	12.1	13.1	14.2
	Running Torque (lb.-in.)	16676	16229	16005	15871	15781	15717	15669	15424	15227	15066	14932
	Starting Torque (lb.-in.)	17479	17479	17479	17479	17479	17479	17479	17479	17479	17479	17479
	Running Pressure (psi)	2251	2191	2161	2142	2130	2122	2115	2082	2056	2034	2016
	Flow Rate (gpm)	5.7	6.8	8.0	9.1	10.3	11.4	12.6	13.7	14.9	16.0	17.2
HXT-425B	OUTPUT HP (RUN)	2.6	3.9	5.1	6.3	7.5	8.7	9.9	11.0	12.1	13.1	14.2
	Running Torque (lb.-in.)	16676	16229	16005	15871	15781	15717	15669	15424	15227	15066	14932
	Starting Torque (lb.-in.)	28164	28164	28164	28164	28164	28164	28164	28164	28164	28164	28164
	Running Pressure (psi)	1397	1360	1341	1330	1322	1317	1313	1292	1276	1262	1251
	Flow Rate (gpm)	5.9	7.7	9.6	11.5	13.4	15.3	17.2	19.0	20.9	22.8	24.7

★ See pages G2-145 for definition of requirements.

EASY SELECTION



HYDROIL TORQUE-ARM Shaft Mount Speed Reducers

Table 12 - Class I Selection Table HXT Reducers - Double Reduction
HXT-115A - HXT425B

Reducer Size	Output Speed															
	65	70	75	80	85	90	95	100	105	110	115	120	125	130	135	140
HXT-115A	3.3	3.6	3.8	4.0	4.2	4.5	4.7	4.9	5.1	5.3	5.5	5.7	5.9	6.1	6.3	6.50
	3229	3202	3179	3158	3140	3124	3099	3076	3056	3037	3020	3005	2983	2964	2945	2929
	4025	4025	4025	4025	4025	4025	4025	4025	4025	4025	4025	4025	4025	4025	4025	4025
	1352	1341	1331	1322	1315	1308	1298	1288	1280	1272	1265	1258	1249	1241	1233	1226
	6.0	6.3	6.7	7.1	7.5	7.8	8.2	8.6	9.0	9.3	9.7	10.1	10.5	10.8	11.2	11.6
HXT-125A	3.3	3.6	3.8	4.0	4.2											
	3229	3202	3179	3158	3140											
	2868	2868	2868	2868	2868											
	1898	1882	1868	1856	1845											
	4.5	4.7	5.0	5.2	5.5											
HXT-215A	4.5	4.9	5.2	5.6	5.9	6.3	6.6	7.0	7.3	7.7	8.0	8.4	8.7	9.0	9.4	9.7
	4387	4387	4387	4387	4387	4387	4387	4387	4387	4387	4387	4387	4387	4387	4387	4387
	3697	3697	3697	3697	3697	3697	3697	3697	3697	3697	3697	3697	3697	3697	3697	3697
	2000	2000	2000	2000	2000	2000	2000	2000	2000	2000	2000	2000	2000	2000	2000	2000
	6.1	6.4	6.8	7.1	7.5	7.8	8.2	8.5	8.9	9.2	9.6	9.9	10.3	10.6	11.0	11.3
HXT-225A	6.0	6.5	6.9	7.3	7.7											
	5861	5811	5768	5730	5697											
	6152	6152	6152	6152	6152											
	1606	1592	1580	1570	1561											
	8.8	9.3	9.9	10.5	11.1											
HXT-315B	10.0	10.7	11.4	12.0	12.7	13.3	13.8	14.3	14.8	15.3	15.8	15.9	15.7	15.5	15.2	15.0
	9740	9637	9549	9471	9402	9341	9172	9020	8883	8758	8644	8351	7916	7515	7096	6753
	17190	17190	17190	17190	17190	17190	17190	17190	17190	17190	17190	17078	16862	16663	16478	16306
	1337	1323	1311	1300	1291	1282	1259	1238	1219	1202	1186	1146	1087	1031	974	927
	17.1	18.2	19.4	20.5	21.7	22.8	23.9	25.1	26.2	27.3	28.5	29.6	30.6	31.7	32.8	33.9
HXT-325B	7.9	8.5	9.1	9.8	10.4											
	7689	7689	7689	7689	7689											
	6479	6479	6479	6479	6479											
	2000	2000	2000	2000	2000											
	9.5	10.1	10.7	11.3	11.9											
HXT-415B	15.3	16.3	17.4	18.5	19.6	20.6	21.5	22.0	21.5	21.0	20.5	20.0	19.5	19.0	18.5	18.0
	14818	14721	14636	14563	14497	14440	14295	13866	12905	12032	11235	10504	9832	9211	8637	8103
	17479	17479	17479	17479	17479	17479	17479	17479	17479	17479	17479	17479	17479	17479	17479	17479
	2000	1987	1976	1966	1957	1949	1930	1872	1742	1624	1517	1418	1327	1244	1166	1094
	18.30	19.5	20.7	21.8	23.0	24.1	25.3	26.4	27.4	28.4	29.4	30.4	31.5	32.5	33.6	34.7
HXT-425B	15.30	16.3	17.4	18.5	19.6											
	14818	14721	14636	14563	14497											
	28164	28164	28164	28164	28164											
	1241	1233	1226	1220	1215											
	26.6	28.5	30.3	32.2	34.1											

FEATURES/BENEFITS PAGE G2-2	SPECIFICATION PAGE G2-9	RELATED PRODUCTS PAGE G2-152	RENEWAL PARTS PAGE G2-166
--------------------------------	----------------------------	---------------------------------	------------------------------



EASY SELECTION

HYDROIL TORQUE-ARM Shaft Mount Speed Reducers

Table 12 - Class I Selection Table HXT Reducers - Double Reduction
HXT-515C - HXT725A

Reducer Size	Requirements ★	Output Speed										
		10	15	20	25	30	35	40	45	50	55	60
HXT-515C	OUTPUT HP (RUN)	4.6	6.5	8.5	10.5	12.5	14.4	16.4	17.9	19.3	20.8	22.3
	Running Torque (lb.-in.)	28751	27474	26835	26451	26196	26013	25876	25046	24381	23838	23384
	Starting Torque (lb.-in.)	31924	31924	31924	31924	31924	31924	31924	31924	31924	31924	31924
	Running Pressure (psi)	2125	2031	1983	1955	1936	1923	1913	1851	1802	1762	1728
	Flow Rate (gpm)	10.0	11.9	13.9	16.0	18.1	20.2	22.3	24.3	26.3	28.4	30.5
HXT-525C	OUTPUT HP (RUN)	4.6	6.5	8.5	10.5	12.5	14.4	16.4	17.9	19.3	20.8	22.3
	Running Torque (lb.-in.)	28751	27474	26835	26451	26196	26013	25876	25046	24381	23838	23384
	Starting Torque (lb.-in.)	29528	29528	29528	29528	29528	29528	29528	29528	29528	29528	29528
	Running Pressure (psi)	2298	2195	2144	2114	2093	2079	2068	2001	1948	1905	1869
	Flow Rate (gpm)	7.4	9.3	11.2	13.1	15.1	17.1	19.0	20.9	22.8	24.8	26.7
HXT-615A	OUTPUT HP (RUN)	5.3	8.0	10.7	13.4	16.0	18.7	21.4	24.0	26.7	29.4	32.1
	Running Torque (lb.-in.)	33671	33671	33671	33671	33671	33671	33671	33671	33671	33671	33671
	Starting Torque (lb.-in.)	31779	31779	31779	31779	31779	31779	31779	31779	31779	31779	31779
	Running Pressure (psi)	2500	2500	2500	2500	2500	2500	2500	2500	2500	2500	2500
	Flow Rate (gpm)	11.0	13.1	15.3	17.4	19.5	21.7	23.8	26.0	28.1	30.3	32.4
HXT-625A	OUTPUT HP (RUN)	7.2	10.4	13.7	16.9	20.1	23.3	26.6	29.1	31.6	34.1	36.6
	Running Torque (lb.-in.)	45427	43830	43031	42552	42233	42004	41833	40699	39792	39050	38431
	Starting Torque (lb.-in.)	52094	52094	52094	52094	52094	52094	52094	52094	52094	52094	52094
	Running Pressure (psi)	2058	1985	1949	1927	1913	1903	1895	1843	1802	1769	1741
	Flow Rate (gpm)	12.5	15.8	19.3	22.7	26.2	29.7	33.2	36.6	40.0	43.4	46.8
HXT-715A	OUTPUT HP (RUN)	9.6	14.4	19.2	23.8	28.3	32.9	37.4	41.4	45.3	49.3	53.2
	Running Torque (lb.-in.)	60533	60533	60533	59918	59483	59173	58940	57937	57135	56478	55931
	Starting Torque (lb.-in.)	57132	57132	57132	57132	57132	57132	57132	57132	57132	57132	57132
	Running Pressure (psi)	2500	2500	2500	2475	2457	2444	2434	2393	2360	2333	2310
	Flow Rate (gpm)	12.7	16.6	20.4	24.2	28.0	31.9	35.7	39.5	43.3	47.1	50.9
HXT-725A	OUTPUT HP (RUN)	8.6	12.9	17.1	21.4	25.7	30.0	34.3	38.6	42.8	47.1	51.4
	Running Torque (lb.-in.)	54009	54009	54009	54009	54009	54009	54009	54009	54009	54009	54009
	Starting Torque (lb.-in.)	50975	50975	50975	50975	50975	50975	50975	50975	50975	50975	50975
	Running Pressure (psi)	2500	2500	2500	2500	2500	2500	2500	2500	2500	2500	2500
	Flow Rate (gpm)	13.6	17.0	20.4	23.9	27.3	30.7	34.2	37.6	41.1	44.5	47.9

★ See pages G2-145 for definition of requirements.



EASY SELECTION

HYDROIL TORQUE-ARM Shaft Mount Speed Reducers

Table 12 - Class I Selection Table HXT Reducers - Double Reduction
HXT-515C - HXT725A

Reducer Size	Output Speed															
	65	70	75	80	85	90	95	100	105	110	115	120	125	130	135	140
HXT-515C	23.7	24.8	24.2	23.5	22.9	22.3	21.7	21.1	20.5	19.8	19.2	18.6	18.0			
	23001	22329	20336	18514	16980	15616	14396	13298	12305	11345	10522	9769	9076			
	31924	31924	31924	31924	31924	31924	31924	31924	31924	31924	31924	31924	31924			
	1700	1650	1503	1368	1255	1154	1064	983	909	838	778	722	671			
	32.5	34.6	36.3	38.1	40.0	41.8	43.8	45.7	47.7	49.6	51.6	53.6	55.6			
HXT-525C	23.7	24.8	24.2	23.5												
	23001	22329	20336	18514												
	29528	29528	29528	29528												
	1838	1784	1625	1479												
	28.7	30.6	32.3	34.1												
HXT-615A	34.7	37.4	39.6	37.6	35.7	33.7	31.8	29.8	27.8	25.9	23.9	22.0	20.0			
	33671	33671	33277	29622	26471	23599	21097	18781	16687	14840	13098	11555	10084			
	31779	31779	31779	31779	31779	31779	31779	31779	31779	31779	31779	31779	31779			
	2500	2500	2471	2199	1965	1752	1566	1395	1239	1102	973	858	749			
	34.5	36.7	38.8	40.2	41.7	43.3	44.9	46.6	48.3	50.1	51.9	53.7	55.6			
HXT-625A	39.1	41.5	39.6	37.6												
	37908	37365	33277	29622												
	52094	52094	52094	52094												
	1717	1692	1507	1342												
	50.3	53.7	56.7	59.8												
HXT-715A	57.2	55.6	53.5	51.4	49.3	47.2	45.0	43.0	41.0	39.0	37.0	35.0				
	55468	50060	44958	40494	36555	33053	29854	27101	24610	22345	20278	18382				
	57132	57132	57132	57132	57132	57132	57132	57132	57132	57132	57132	57132				
	2291	2067	1857	1672	1510	1365	1233	1119	1016	923	837	759				
	54.7	58.1	61.5	65.0	68.5	72.1	75.7	79.3	83.0	86.6	90.3	94.0				
HXT-725A	55.7	55.6	53.5													
	54009	50060	44958													
	50975	50975	50975													
	2500	2317	2081													
	51.4	54.3	57.1													

Gearing Reference Guide

TORQUE-ARM II

TORQUE-ARM

MAXUM

TIGEAR-2

FEATURES/BENEFITS PAGE G2-2	SPECIFICATION PAGE G2-9	RELATED PRODUCTS PAGE G2-152	RENEWAL PARTS PAGE G2-166
--------------------------------	----------------------------	---------------------------------	------------------------------



EASY SELECTION

HYDROIL TORQUE-ARM Shaft Mount Speed Reducers

Table 13 - Class II Selection Table HXT Reducers - Double Reduction
HXT-115A - HXT425B

Reducer Size	Requirements ★	Output Speed										
		10	15	20	25	30	35	40	45	50	55	60
HXT-115A	OUTPUT HP (RUN)	0.5	0.6	0.8	1.0	1.2	1.4	1.6	1.7	1.9	2.1	2.2
	Running Torque (lb.-in.)	2875	2697	2608	2555	2519	2494	2475	2426	2387	2355	2329
	Starting Torque (lb.-in.)	4025	4025	4025	4025	4025	4025	4025	4025	4025	4025	4025
	Running Pressure (psi)	1204	1129	1092	1070	1055	1044	1036	1016	1000	986	975
	Flow Rate (gpm)	1.7	2.0	2.4	2.7	3.1	3.5	3.8	4.2	4.6	4.9	5.3
HXT-125A	OUTPUT HP (RUN)	0.5	0.6	0.8	1.0	1.2	1.4	1.6	1.7	1.9	2.1	2.2
	Running Torque (lb.-in.)	2875	2697	2608	2555	2519	2494	2475	2426	2387	2355	2329
	Starting Torque (lb.-in.)	2868	2868	2868	2868	2868	2868	2868	2868	2868	2868	2868
	Running Pressure (psi)	1690	1585	1533	1501	1480	1465	1454	1426	1403	1384	1369
	Flow Rate (gpm)	1.4	1.6	1.8	2.1	2.4	2.6	2.9	3.1	3.4	3.7	3.9
HXT-215A	OUTPUT HP (RUN)	0.7	1.0	1.4	1.7	2.1	2.4	2.8	3.1	3.4	3.7	4.0
	Running Torque (lb.-in.)	4387	4387	4387	4387	4387	4387	4387	4387	4336	4277	4228
	Starting Torque (lb.-in.)	3697	3697	3697	3697	3697	3697	3697	3697	3697	3697	3697
	Running Pressure (psi)	2000	2000	2000	2000	2000	2000	2000	2000	1976	1950	1927
	Flow Rate (gpm)	2.2	2.6	2.9	3.3	3.6	4.0	4.3	4.7	5	5.3	5.7
HXT-225A	OUTPUT HP (RUN)	0.8	1.2	1.5	1.8	2.2	2.5	2.9	3.1	3.4	3.7	4.0
	Running Torque (lb.-in.)	5175	4874	4723	4633	4573	4530	4498	4408	4336	4277	4228
	Starting Torque (lb.-in.)	6152	6152	6152	6152	6152	6152	6152	6152	6152	6152	6152
	Running Pressure (psi)	1418	1335	1294	1269	1253	1241	1232	1208	1188	1172	1158
	Flow Rate (gpm)	2.2	2.8	3.3	3.9	4.4	5.0	5.6	6.2	6.7	7.3	7.9
HXT-315B	OUTPUT HP (RUN)	1.3	1.9	2.4	3.0	3.6	4.2	4.8	5.3	5.8	6.2	6.7
	Running Torque (lb.-in.)	7927	7781	7708	7664	7635	7614	7599	7413	7265	7144	7043
	Starting Torque (lb.-in.)	17190	17190	17190	17190	17190	17190	17190	17190	17190	17190	17190
	Running Pressure (psi)	1088	1068	1058	1052	1048	1045	1043	1018	997	981	967
	Flow Rate (gpm)	4.0	5.1	6.2	7.4	8.5	9.7	10.8	12.0	13.1	14.2	15.4
HXT-325B	OUTPUT HP (RUN)	1.2	1.8	2.4	3.0	3.6	4.2	4.8	5.3	5.8	6.2	6.7
	Running Torque (lb.-in.)	7689	7689	7689	7664	7635	7614	7599	7413	7265	7144	7043
	Starting Torque (lb.-in.)	6479	6479	6479	6479	6479	6479	6479	6479	6479	6479	6479
	Running Pressure (psi)	2000	2000	2000	1994	1986	1981	1977	1928	1890	1858	1832
	Flow Rate (gpm)	2.7	3.4	4.0	4.6	5.2	5.8	6.4	7.0	7.6	8.1	8.7
HXT-415B	OUTPUT HP (RUN)	1.9	2.8	3.6	4.5	5.4	6.2	7.1	7.9	8.6	9.4	10.2
	Running Torque (lb.-in.)	11911	11592	11432	11336	11272	11227	11192	11017	10876	10761	10665
	Starting Torque (lb.-in.)	17479	17479	17479	17479	17479	17479	17479	17479	17479	17479	17479
	Running Pressure (psi)	1608	1565	1543	1530	1522	1516	1511	1487	1468	1453	1440
	Flow Rate (gpm)	4.8	5.9	7.0	8.2	9.4	10.5	11.7	12.8	14	15.2	16.3
HXT-425B	OUTPUT HP (RUN)	1.9	2.8	3.6	4.5	5.4	6.2	7.1	7.9	8.6	9.4	10.2
	Running Torque (lb.-in.)	11911	11592	11432	11336	11272	11227	11192	11017	10876	10761	10665
	Starting Torque (lb.-in.)	28164	28164	28164	28164	28164	28164	28164	28164	28164	28164	28164
	Running Pressure (psi)	998	971	958	950	944	941	938	923	911	902	894
	Flow Rate (gpm)	5.3	7.2	9.0	10.9	12.8	14.7	16.6	18.5	20.4	22.3	24.1

★ See pages G2-145 for definition of requirements.

EASY SELECTION



HYDROIL TORQUE-ARM Shaft Mount Speed Reducers

Table 13 - Class II Selection Table HXT Reducers - Double Reduction
HXT-115A - HXT425B

Reducer Size	Output Speed															
	65	70	75	80	85	90	95	100	105	110	115	120	125	130	135	140
HXT-115A	2.40	2.50	2.70	2.90	3.00	3.20	3.30	3.50	3.60	3.80	3.90	4.10	4.20	4.40	4.50	4.60
	2306	2287	2271	2256	2243	2232	2214	2197	2183	2169	2157	2146	2131	2117	2104	2092
	4025	4025	4025	4025	4025	4025	4025	4025	4025	4025	4025	4025	4025	4025	4025	4025
	966	958	951	945	939	934	927	920	914	908	903	899	892	886	881	876
	5.7	6.1	6.4	6.8	7.2	7.6	7.9	8.3	8.7	9.1	9.4	9.8	10.2	10.6	10.9	11.3
HXT-125A	2.4	2.5	2.7	2.9	3.0											
	2306	2287	2271	2256	2243											
	2868	2868	2868	2868	2868											
	1355	1344	1334	1326	1318											
	4.2	4.5	4.7	5.0	5.3											
HXT-215A	4.3	4.6	4.9	5.2	5.5	5.8	6.0	6.3	6.6	6.8	7.1	7.4	7.6	7.9	8.2	8.4
	4186	4151	4120	4093	4069	4048	4010	3976	3945	3917	3891	3868	3847	3828	3810	3793
	3697	3697	3697	3697	3697	3697	3697	3697	3697	3697	3697	3697	3697	3697	3697	3697
	1908	1892	1878	1866	1855	1845	1828	1812	1798	1786	1774	1763	1754	1745	1737	1729
	6.0	6.3	6.7	7.0	7.4	7.7	8.0	8.4	8.7	9.0	9.4	9.7	10.1	10.4	10.8	11.1
HXT-225A	4.3	4.6	4.9	5.2	5.5											
	4186	4151	4120	4093	4069											
	6152	6152	6152	6152	6152											
	1147	1137	1129	1121	1115											
	8.4	9.0	9.6	10.2	10.7											
HXT-315B	7.2	7.6	8.1	8.6	9.1	9.5	9.9	10.2	10.6	10.9	11.3	11.6	11.9	12.3	12.6	12.9
	6957	6884	6820	6765	6716	6672	6552	6443	6345	6256	6174	6099	6022	5951	5885	5824
	17190	17190	17190	17190	17190	17190	17190	17190	17190	17190	17190	17078	16862	16663	16478	16306
	955	945	936	929	922	916	899	884	871	859	847	837	827	817	808	799
	16.5	17.7	18.8	20	21.1	22.2	23.4	24.5	25.7	26.8	27.9	29.1	30.2	31.4	32.5	33.7
HXT-325B	7.2	7.6	8.1	8.6	9.1											
	6957	6884	6820	6765	6716											
	6479	6479	6479	6479	6479											
	1810	1791	1774	1760	1747											
	9.3	9.9	10.5	11.1	11.7											
HXT-415B	10.9	11.7	12.4	13.2	14.0	14.7	15.4	16.1	16.7	17.4	18.0	18.7	19.2	19.0	18.5	18.0
	10584	10515	10455	10402	10355	10314	10211	10118	10034	9957	9887	9823	9693	9211	8637	8103
	17479	17479	17479	17479	17479	17479	17479	17479	17479	17479	17479	17479	17479	17479	17479	17479
	1429	1419	1411	1404	1398	1392	1378	1366	1355	1344	1335	1326	1309	1244	1166	1094
	17.5	18.6	19.8	21.0	22.1	23.3	24.5	25.6	26.8	28.0	29.1	30.3	31.4	32.5	33.6	34.7
HXT-425B	10.9	11.7	12.4	13.2	14.0											
	10584	10515	10455	10402	10355											
	28164	28164	28164	28164	28164											
	887	881	876	871	868											
	26	27.9	29.8	31.7	33.6											

Gearing Reference Guide

TORQUE-ARM II

TORQUE-ARM

MAXUM

TIGEAR-2

FEATURES/BENEFITS PAGE G2-2	SPECIFICATION PAGE G2-9	RELATED PRODUCTS PAGE G2-152	RENEWAL PARTS PAGE G2-166
--------------------------------	----------------------------	---------------------------------	------------------------------



EASY SELECTION

HYDROIL TORQUE-ARM Shaft Mount Speed Reducers

Table 13 - Class II Selection Table HXT Reducers - Double Reduction
HXT-515C - HXT725A

Reducer Size	Requirements ★	Output Speed										
		10	15	20	25	30	35	40	45	50	55	60
HXT-515C	OUTPUT HP (RUN)	3.3	4.7	6.1	7.5	8.9	10.3	11.7	12.8	13.8	14.9	15.9
	Running Torque (lb.-in.)	20537	19624	19168	18894	18711	18581	18483	17890	17415	17027	16703
	Starting Torque (lb.-in.)	31924	31924	31924	31924	31924	31924	31924	31924	31924	31924	31924
	Running Pressure (psi)	1518	1450	1417	1396	1383	1373	1366	1322	1287	1258	1235
	Flow Rate (gpm)	8.4	10.3	12.4	14.5	16.6	18.7	20.9	22.9	25.0	27.1	29.1
HXT-525C	OUTPUT HP (RUN)	3.3	4.7	6.1	7.5	8.9	10.3	11.7	12.8	13.8	14.9	15.9
	Running Torque (lb.-in.)	20537	19624	19168	18894	18711	18581	18483	17890	17415	17027	16703
	Starting Torque (lb.-in.)	29528	29528	29528	29528	29528	29528	29528	29528	29528	29528	29528
	Running Pressure (psi)	1641	1568	1532	1510	1495	1485	1477	1430	1392	1361	1335
	Flow Rate (gpm)	6.4	8.3	10.3	12.2	14.2	16.2	18.2	20.1	22.0	24.0	25.9
HXT-615A	OUTPUT HP (RUN)	5.1	7.5	9.8	12.1	14.4	16.7	19.0	20.8	22.5	24.3	26.1
	Running Torque (lb.-in.)	32448	31307	30737	30394	30166	30003	29881	29071	28423	27893	27451
	Starting Torque (lb.-in.)	31779	31779	31779	31779	31779	31779	31779	31779	31779	31779	31779
	Running Pressure (psi)	2409	2325	2282	2257	2240	2228	2219	2158	2110	2071	2038
	Flow Rate (gpm)	10.7	12.6	14.7	16.7	18.8	21.0	23.1	25.1	27.1	29.1	31.2
HXT-625A	OUTPUT HP (RUN)	5.1	7.5	9.8	12.1	14.4	16.7	19.0	20.8	22.5	24.3	26.1
	Running Torque (lb.-in.)	32448	31307	30737	30394	30166	30003	29881	29071	28423	27893	27451
	Starting Torque (lb.-in.)	52094	52094	52094	52094	52094	52094	52094	52094	52094	52094	52094
	Running Pressure (psi)	1470	1418	1392	1377	1366	1359	1353	1317	1287	1263	1243
	Flow Rate (gpm)	11.0	14.3	17.8	21.3	24.7	28.2	31.7	35.1	38.6	42.0	45.5
HXT-715A	OUTPUT HP (RUN)	7.2	10.5	13.7	17.0	20.2	23.5	26.7	29.5	32.4	35.2	38.0
	Running Torque (lb.-in.)	45591	44040	43264	42798	42488	42266	42100	41384	40811	40342	39951
	Starting Torque (lb.-in.)	57132	57132	57132	57132	57132	57132	57132	57132	57132	57132	57132
	Running Pressure (psi)	1883	1819	1787	1768	1755	1746	1739	1709	1685	1666	1650
	Flow Rate (gpm)	11.5	15.2	19.0	22.8	26.6	30.5	34.3	38.1	41.9	45.7	49.5
HXT-725A	OUTPUT HP (RUN)	7.2	10.5	13.7	17.0	20.2	23.5	26.7	29.5	32.4	35.2	38.0
	Running Torque (lb.-in.)	45591	44040	43264	42798	42488	42266	42100	41384	40811	40342	39951
	Starting Torque (lb.-in.)	50975	50975	50975	50975	50975	50975	50975	50975	50975	50975	50975
	Running Pressure (psi)	2110	2039	2003	1981	1967	1956	1949	1916	1889	1867	1849
	Flow Rate (gpm)	12.5	15.8	19.1	22.5	25.9	29.3	32.7	36.1	39.4	42.8	46.2

★ See pages G2-145 for definition of requirements.



EASY SELECTION

HYDROIL TORQUE-ARM Shaft Mount Speed Reducers

Table 13 - Class II Selection Table HXT Reducers - Double Reduction
HXT-515C - HXT725A

Reducer Size	Output Speed															
	65	70	75	80	85	90	95	100	105	110	115	120	125	130	135	140
HXT-515C	16.9	18.0	19.0	20.1	21.1	22.2	21.7	21.1	20.5	19.8	19.2	18.6	18.0			
	16429	16195	15991	15813	15656	15517	14396	13298	12305	11344	10522	9769	9076			
	31924	31924	31924	31924	31924	31924	31924	31924	31924	31924	31924	31924	31924			
	1214	1197	1182	1169	1157	1147	1064	983	909	838	778	722	671			
	31.2	33.3	35.5	37.6	39.7	41.8	43.8	45.7	47.7	49.6	51.6	53.6	55.6			
HXT-525C	16.9	18.0	19.0	20.1												
	16429	16195	15991	15813												
	29528	29528	29528	29528												
	1313	1294	1278	1264												
	27.9	29.8	31.8	33.8												
HXT-615A	27.9	29.7	31.5	33.3	35.1	33.7	31.8	29.8	27.8	25.9	23.9	22.0	20.0			
	27077	26756	26479	26236	26021	23599	21097	18781	16687	14840	13098	11555	10084			
	31779	31779	31779	31779	31779	31779	31779	31779	31779	31779	31779	31779	31779			
	2010	1987	1966	1948	1932	1752	1566	1395	1239	1102	973	858	749			
	33.2	35.3	37.4	39.5	41.6	43.3	44.9	46.6	48.3	50.1	51.9	53.7	55.6			
HXT-625A	27.9	29.7	31.5	33.3												
	27077	26756	26479	26236												
	52094	52094	52094	52094												
	1226	1212	1199	1188												
	49.0	52.4	55.9	59.4												
HXT-715A	40.9	43.7	46.5	49.3	49.3	47.2	45.0	43.0	41.0	39.0	37.0	35.0				
	39620	39337	39091	38876	36555	33053	29854	27101	24610	22345	20278	18382				
	57132	57132	57132	57132	57132	57132	57132	57132	57132	57132	57132	57132				
	1636	1625	1614	1606	1510	1365	1233	1119	1016	923	837	759				
	53.4	57.2	61.0	64.9	68.5	72.1	75.7	79.3	83.0	86.6	90.3	94.0				
HXT-725A	40.9	43.7	46.5													
	39620	39337	39091													
	50975	50975	50975													
	1834	1821	1809													
	49.6	53.0	56.4													

FEATURES/BENEFITS PAGE G2-2	SPECIFICATION PAGE G2-9	RELATED PRODUCTS PAGE G2-152	RENEWAL PARTS PAGE G2-166
--------------------------------	----------------------------	---------------------------------	------------------------------



EASY SELECTION

HYDROIL TORQUE-ARM Shaft Mount Speed Reducers

Table 14 - Class III Selection Table HXT Reducers - Double Reduction
HXT-115A - HXT1425B

Reducer Size	Requirements ★	Output Speed										
		10	15	20	25	30	35	40	45	50	55	60
HXT-115A	OUTPUT HP (RUN)	0.3	0.4	0.6	0.7	0.8	1.0	1.1	1.2	1.3	1.4	1.6
	Running Torque (lb.-in.)	2013	1888	1826	1788	1763	1746	1732	1698	1671	1649	1630
	Starting Torque (lb.-in.)	4025	4025	4025	4025	4025	4025	4025	4025	4025	4025	4025
	Running Pressure (psi)	843	791	764	749	738	731	725	711	700	690	683
	Flow Rate (gpm)	1.4	1.7	2.1	2.5	2.8	3.2	3.6	4.0	4.3	4.7	5.1
HXT-125A	OUTPUT HP (RUN)	0.3	0.4	0.6	0.7	0.8	1.0	1.1	1.2	1.3	1.4	1.6
	Running Torque (lb.-in.)	2013	1888	1826	1788	1763	1746	1732	1698	1671	1649	1630
	Starting Torque (lb.-in.)	2868	2868	2868	2868	2868	2868	2868	2868	2868	2868	2868
	Running Pressure (psi)	1183	1110	1073	1051	1036	1026	1018	998	982	969	958
	Flow Rate (gpm)	1.1	1.4	1.6	1.9	2.1	2.4	2.7	2.9	3.2	3.5	3.7
HXT-215A	OUTPUT HP (RUN)	0.6	0.8	1.0	1.3	1.5	1.8	2.0	2.2	2.4	2.6	2.8
	Running Torque (lb.-in.)	3623	3412	3306	3243	3201	3171	3148	3085	3035	2994	2959
	Starting Torque (lb.-in.)	3697	3697	3697	3697	3697	3697	3697	3697	3697	3697	3697
	Running Pressure (psi)	1651	1555	1507	1478	1459	1445	1435	1406	1383	1365	1349
	Flow Rate (gpm)	2.0	2.2	2.5	2.9	3.2	3.5	3.9	4.2	4.5	4.9	5.2
HXT-225A	OUTPUT HP (RUN)	0.6	0.8	1.0	1.3	1.5	1.8	2.0	2.2	2.4	2.6	2.8
	Running Torque (lb.-in.)	3623	3412	3306	3243	3201	3171	3148	3085	3035	2994	2959
	Starting Torque (lb.-in.)	6152	6152	6152	6152	6152	6152	6152	6152	6152	6152	6152
	Running Pressure (psi)	993	935	906	889	877	869	863	845	832	820	811
	Flow Rate (gpm)	1.9	2.5	3.0	3.6	4.2	4.7	5.3	5.9	6.4	7.0	7.6
HXT-315B	OUTPUT HP (RUN)	0.9	1.3	1.7	2.1	2.5	3.0	3.4	3.7	4.0	4.4	4.7
	Running Torque (lb.-in.)	5549	5447	5396	5365	5345	5330	5319	5189	5086	5001	4930
	Starting Torque (lb.-in.)	17190	17190	17190	17190	17190	17190	17190	17190	17190	17190	17190
	Running Pressure (psi)	762	748	741	736	734	732	730	712	698	686	677
	Flow Rate (gpm)	3.5	4.6	5.8	6.9	8.1	9.2	10.4	11.5	12.6	13.8	14.9
HXT-325B	OUTPUT HP (RUN)	0.9	1.3	1.7	2.1	2.5	3.0	3.4	3.7	4.0	4.4	4.7
	Running Torque (lb.-in.)	5549	5447	5396	5365	5345	5330	5319	5189	5086	5001	4930
	Starting Torque (lb.-in.)	6479	6479	6479	6479	6479	6479	6479	6479	6479	6479	6479
	Running Pressure (psi)	1443	1417	1403	1396	1390	1386	1384	1350	1323	1301	1282
	Flow Rate (gpm)	2.3	2.9	3.5	4.1	4.7	5.3	6.0	6.5	7.1	7.7	8.3
HXT-415B	OUTPUT HP (RUN)	1.3	1.9	2.5	3.1	3.8	4.4	5.0	5.5	6.0	6.6	7.1
	Running Torque (lb.-in.)	8338	8114	8002	7935	7891	7859	7835	7712	7613	7533	7466
	Starting Torque (lb.-in.)	17479	17479	17479	17479	17479	17479	17479	17479	17479	17479	17479
	Running Pressure (psi)	1126	1095	1080	1071	1065	1061	1058	1041	1028	1017	1008
	Flow Rate (gpm)	4.1	5.2	6.3	7.5	8.7	9.8	11.0	12.2	13.3	14.5	15.7
HXT-425B	OUTPUT HP (RUN)	1.3	1.9	2.5	3.1	3.8	4.4	5.0	5.5	6.0	6.6	7.1
	Running Torque (lb.-in.)	8338	8114	8002	7935	7891	7859	7835	7712	7613	7533	7466
	Starting Torque (lb.-in.)	28164	28164	28164	28164	28164	28164	28164	28164	28164	28164	28164
	Running Pressure (psi)	699	680	670	665	661	658	656	646	638	631	625
	Flow Rate (gpm)	4.9	6.7	8.6	10.5	12.4	14.3	16.2	18.1	20.0	21.8	23.7

★ See pages G2-145 for definition of requirements.

EASY SELECTION



HYDROIL TORQUE-ARM Shaft Mount Speed Reducers

Table 14 - Class III Selection Table HXT Reducers - Double Reduction
HXT-115A - HXT1425B

Reducer Size	Output Speed															
	65	70	75	80	85	90	95	100	105	110	115	120	125	130	135	140
HXT-115A	1.7	1.8	1.9	2.0	2.1	2.2	2.3	2.4	2.5	2.7	2.8	2.9	3.0	3.1	3.2	3.3
	1615	1601	1589	1579	1570	1562	1550	1538	1528	1519	1510	1502	1492	1482	1473	1464
	4025	4025	4025	4025	4025	4025	4025	4025	4025	4025	4025	4025	4025	4025	4025	4025
	676	670	666	661	657	654	649	644	640	636	632	629	625	620	617	613
	5.5	5.8	6.2	6.6	7.0	7.3	7.7	8.1	8.5	8.9	9.2	9.6	10.0	10.4	10.7	11.1
HXT-125A	1.7	1.8	1.9	2.0	2.1											
	1615	1601	1589	1579	1570											
	2868	2868	2868	2868	2868											
	949	941	934	928	923											
	4.0	4.3	4.5	4.8	5.1											
HXT-215A	3.0	3.2	3.4	3.6	3.8	4.0	4.2	4.4	4.6	4.8	5.0	5.2	5.3	5.5	5.7	5.9
	2930	2906	2884	2865	2848	2834	2807	2783	2762	2742	2724	2707	2693	2679	2667	2655
	3697	3697	3697	3697	3697	3697	3697	3697	3697	3697	3697	3697	3697	3697	3697	3697
	1336	1324	1315	1306	1298	1292	1280	1269	1259	1250	1242	1234	1228	1221	1216	1210
	5.6	5.9	6.2	6.6	6.9	7.3	7.6	8.0	8.3	8.6	9.0	9.3	9.7	10.0	10.4	10.7
HXT-225A	3.0	3.2	3.4	3.6	3.8											
	2930	2906	2884	2865	2848											
	6152	6152	6152	6152	6152											
	803	796	790	785	780											
	8.2	8.7	9.3	9.9	10.5											
HXT-315B	5.0	5.4	5.7	6.0	6.3	6.7	6.9	7.2	7.4	7.6	7.9	8.1	8.4	8.6	8.8	9.1
	4870	4819	4774	4735	4701	4671	4586	4510	4441	4379	4322	4270	4216	4166	4119	4077
	17190	17190	17190	17190	17190	17190	17190	17190	17190	17190	17190	17078	16862	16663	16478	16306
	668	661	655	650	645	641	630	619	610	601	593	586	579	572	565	560
	16.1	17.2	18.4	19.5	20.7	21.8	23.0	24.1	25.3	26.4	27.6	28.7	29.9	31.0	32.2	33.3
HXT-325B	5.0	5.4	5.7	6.0	6.3											
	4870	4819	4774	4735	4701											
	6479	6479	6479	6479	6479											
	1267	1253	1242	1232	1223											
	8.9	9.5	10.1	10.7	11.3											
HXT-415B	7.6	8.2	8.7	9.2	9.8	10.3	10.8	11.2	11.7	12.2	12.6	13.1	13.5	13.8	14.2	14.6
	7409	7360	7318	7281	7249	7220	7147	7082	7024	6970	6921	6876	6785	6701	6623	6551
	17479	17479	17479	17479	17479	17479	17479	17479	17479	17479	17479	17479	17479	17479	17479	17479
	1000	994	988	983	979	975	965	956	948	941	934	928	916	905	894	884
	16.8	18.0	19.2	20.3	21.5	22.7	23.9	25.0	26.2	27.4	28.5	29.7	30.9	32.0	33.2	34.3
HXT-425B	7.6	8.2	8.7	9.2	9.8											
	7409	7360	7318	7281	7249											
	28164	28164	28164	28164	28164											
	621	617	613	610	607											
	25.6	27.5	29.4	31.3	33.2											

Gearing Reference Guide

TORQUE-ARM II

TORQUE-ARM

MAXUM

TIGEAR-2

FEATURES/BENEFITS PAGE G2-2	SPECIFICATION PAGE G2-9	RELATED PRODUCTS PAGE G2-152	RENEWAL PARTS PAGE G2-166
--------------------------------	----------------------------	---------------------------------	------------------------------



EASY SELECTION

HYDROIL TORQUE-ARM Shaft Mount Speed Reducers

Table 14 - Class III Selection Table HXT Reducers - Double Reduction
HXT-515C - HXT725A

Reducer Size	Requirements ★	Output Speed										
		10	15	20	25	30	35	40	45	50	55	60
HXT-515C	OUTPUT HP (RUN)	2.3	3.3	4.3	5.2	6.2	7.2	8.2	8.9	9.7	10.4	11.1
	Running Torque (lb.-in.)	14376	13737	13417	13226	13098	13007	12938	12523	12191	11919	11692
	Starting Torque (lb.-in.)	31924	31924	31924	31924	31924	31924	31924	31924	31924	31924	31924
	Running Pressure (psi)	1063	1015	992	978	968	961	956	926	901	881	864
	Flow Rate (gpm)	7.1	9.2	11.3	13.4	15.5	17.6	19.8	21.9	23.9	26.0	28.2
HXT-525C	OUTPUT HP (RUN)	2.3	3.3	4.3	5.2	6.2	7.2	8.2	8.9	9.7	10.4	11.1
	Running Torque (lb.-in.)	14376	13737	13417	13226	13098	13007	12938	12523	12191	11919	11692
	Starting Torque (lb.-in.)	29528	29528	29528	29528	29528	29528	29528	29528	29528	29528	29528
	Running Pressure (psi)	1149	1098	1072	1057	1047	1039	1034	1001	974	952	934
	Flow Rate (gpm)	5.7	7.6	9.6	11.5	13.5	15.5	17.5	19.4	21.4	23.3	25.3
HXT-615A	OUTPUT HP (RUN)	3.6	5.2	6.8	8.4	10.1	11.7	13.3	14.5	15.8	17	18.3
	Running Torque (lb.-in.)	22714	21915	21516	21276	21116	21002	20917	20350	19896	19525	19216
	Starting Torque (lb.-in.)	31779	31779	31779	31779	31779	31779	31779	31779	31779	31779	31779
	Running Pressure (psi)	1686	1627	1598	1580	1568	1559	1553	1511	1477	1450	1427
	Flow Rate (gpm)	8.8	10.8	12.8	14.9	17.1	19.2	21.3	23.3	25.4	27.5	29.5
HXT-625A	OUTPUT HP (RUN)	3.6	5.2	6.8	8.4	10.1	11.7	13.3	14.5	15.8	17	18.3
	Running Torque (lb.-in.)	22714	21915	21516	21276	21116	21002	20917	20350	19896	19525	19216
	Starting Torque (lb.-in.)	52094	52094	52094	52094	52094	52094	52094	52094	52094	52094	52094
	Running Pressure (psi)	1029	993	975	964	956	951	947	922	901	884	870
	Flow Rate (gpm)	9.8	13.2	16.7	20.1	23.6	27.1	30.6	34.1	37.5	41.0	44.5
HXT-715A	OUTPUT HP (RUN)	5.1	7.3	9.6	11.9	14.2	16.4	18.7	20.7	22.7	24.6	26.6
	Running Torque (lb.-in.)	31914	30828	30285	29959	29742	29587	29470	28969	28567	28239	27966
	Starting Torque (lb.-in.)	57132	57132	57132	57132	57132	57132	57132	57132	57132	57132	57132
	Running Pressure (psi)	1318	1273	1251	1237	1228	1222	1217	1196	1180	1166	1155
	Flow Rate (gpm)	10.3	14.1	17.9	21.7	25.6	29.4	33.3	37.1	40.9	44.7	48.6
HXT-725A	OUTPUT HP (RUN)	5.1	7.3	9.6	11.9	14.2	16.4	18.7	20.7	22.7	24.6	26.6
	Running Torque (lb.-in.)	31914	30828	30285	29959	29742	29587	29470	28969	28567	28239	27966
	Starting Torque (lb.-in.)	50975	50975	50975	50975	50975	50975	50975	50975	50975	50975	50975
	Running Pressure (psi)	1477	1427	1402	1387	1377	1370	1364	1341	1322	1307	1294
	Flow Rate (gpm)	10.8	14.1	17.5	20.9	24.3	27.7	31.2	34.5	37.9	41.3	44.7

★ See pages G2-145 for definition of requirements.

EASY SELECTION



HYDROIL TORQUE-ARM Shaft Mount Speed Reducers

Table 14 - Class III Selection Table HXT Reducers - Double Reduction
HXT-515C - HXT725A

Reducer Size	Output Speed															
	65	70	75	80	85	90	95	100	105	110	115	120	125	130	135	140
HXT-515C	11.9	12.6	13.3	14.1	14.8	15.5	16.1	16.6	17.2	17.7	18.2	18.6	18			
	11501	11336	11194	11069	10959	10862	10653	10466	10296	10141	10000	9769	9076			
	31924	31924	31924	31924	31924	31924	31924	31924	31924	31924	31924	31924	31924			
	850	838	827	818	810	803	787	774	761	750	739	722	671			
	30.3	32.4	34.5	36.6	38.8	40.9	43.0	45.1	47.3	49.4	51.5	53.6	55.6			
HXT-525C	11.9	12.6	13.3	14.1												
	11501	11336	11194	11069												
	29528	29528	29528	29528												
	919	906	895	885												
	27.3	29.2	31.2	33.2												
HXT-615A	19.5	20.8	22.1	23.3	24.6	25.8	26.6	27.5	27.8	25.9	23.9	22.0	20.0			
	18954	18729	18535	18365	18215	18081	17680	17318	16687	14840	13098	11555	10084			
	31779	31779	31779	31779	31779	31779	31779	31779	31779	31779	31779	31779	31779			
	1407	1391	1376	1364	1352	1343	1313	1286	1239	1102	973	858	749			
	31.6	33.7	35.8	37.9	40.1	42.2	44.2	46.3	48.3	50.1	51.9	53.7	55.6			
HXT-625A	19.5	20.8	22.1	23.3												
	18954	18729	18535	18365												
	52094	52094	52094	52094												
	858	848	840	832												
	48.0	51.5	55.0	58.4												
HXT-715A	28.6	30.6	32.6	34.5	36.5	38.5	40.2	41.9	41.0	39.0	37.0	35.0				
	27734	27536	27364	27213	27080	26962	26663	26394	24610	22345	20278	18382				
	57132	57132	57132	57132	57132	57132	57132	57132	57132	57132	57132	57132				
	1145	1137	1130	1124	1118	1114	1101	1090	1016	923	837	759				
	52.4	56.2	60.1	63.9	67.8	71.6	75.4	79.3	83	86.6	90.3	94				
HXT-725A	28.6	30.6	32.6													
	27734	27536	27364													
	50975	50975	50975													
	1284	1275	1267													
	48.1	51.5	55.0													

FEATURES/BENEFITS PAGE G2-2	SPECIFICATION PAGE G2-9	RELATED PRODUCTS PAGE G2-152	RENEWAL PARTS PAGE G2-166
--------------------------------	----------------------------	---------------------------------	------------------------------



EASY SELECTION

HYDROIL TORQUE-ARM Shaft Mount Speed Reducers

Table 15 - Class I Selection Table HXT Reducers - Single Reduction
HXT-105 - HXT-505A

Reducer Size	Requirements ★	Output Speed														
		90	100	110	120	130	140	150	160	180	200	220	250	300	350	400
HXT-105	OUTPUT HP (RUNNING)	3.9	4.2	4.4	4.7	5.0	5.2	5.5	5.7	6.2	6.7	6.9	7.1	7.6	7.9	8.3
	Running Torque (lb.-in.)	2758	2641	2546	2467	2400	2342	2293	2249	2176	2118	1973	1799	1586	1424	1303
	Starting Torque (lb.-in.)	5515	5283	5093	4934	4800	4685	4585	4498	4353	4237	3946	3598	3172	2848	2605
	Running Pressure (psi)	982	940	907	878	854	834	816	801	775	754	702	640	565	507	464
	Flow Rate (gpm)	9.4	10.2	11.0	11.8	12.7	13.5	14.4	15.2	16.9	18.7	20.3	22.9	27.1	31.4	35.7
HXT-205	OUTPUT HP (RUNNING)	6.8	7.1	7.4	7.7	8.0	8.3	8.6	8.9	9.5	10.1	10.5	11.1	12.0	12.9	13.8
	Running Torque (lb.-in.)	4759	4475	4243	4049	3886	3745	3624	3517	3340	3198	3014	2793	2523	2322	2171
	Starting Torque (lb.-in.)	6238	6238	6238	6238	6238	6238	6238	6238	6238	6238	6028	5586	5046	4644	4342
	Running Pressure (psi)	1800	1693	1605	1532	1470	1417	1371	1330	1263	1210	1140	1056	954	878	821
	Flow Rate (gpm)	10.1	10.8	11.5	12.2	12.9	13.7	14.4	15.2	16.7	18.3	19.9	22.2	26.2	30.2	34.2
HXT-305A	OUTPUT HP (RUNNING)	10.1	10.7	11.3	12.0	12.6	13.2	13.8	14.4	15.7	16.9	17.6	17.7	16.8	15.9	15.0
	Running Torque (lb.-in.)	7074	6758	6499	6284	6102	5946	5810	5692	5495	5337	5056	4462	3529	2863	2363
	Starting Torque (lb.-in.)	11851	11851	11851	11851	11851	11851	11621	11384	10989	10673	10112	9438	8614	7705	7024
	Running Pressure (psi)	1408	1346	1294	1251	1215	1184	1157	1133	1094	1063	1007	888	703	570	471
	Flow Rate (gpm)	17.9	19.3	20.7	22.1	23.6	25.1	26.6	28.1	31.1	34.2	37.1	41.5	48.9	56.3	63.9
HXT-405A	OUTPUT HP (RUNNING)	17.7	18.5	19.3	20.1	20.9	21.7	22.5	23.3	24.5	23.8	23.1	22.1	20.4	18.7	17.0
	Running Torque (lb.-in.)	12387	11655	11056	10557	10135	9773	9459	9185	8578	7500	6618	5571	4286	3367	2679
	Starting Torque (lb.-in.)	11956	11956	11956	11956	11956	11956	11956	11956	11956	11956	11956	11956	11956	11956	11956
	Running Pressure (psi)	2445	2300	2182	2083	2000	1929	1867	1813	1693	1480	1306	1099	846	665	529
	Flow Rate (gpm)	20.8	21.9	23.2	24.5	25.9	27.3	28.7	30.1	33.0	35.6	38.3	42.4	49.7	57.1	64.6
HXT-505A	OUTPUT HP (RUNNING)	21.9	23.1	24.3	25.5	26.7	27.9	29.1	30.4	31.3	30.1	28.9	27.1	24.1	21.0	18.0
	Running Torque (lb.-in.)	15321	14552	13923	13398	12954	12574	12244	11955	10959	9485	8279	6832	5063	3782	2836
	Starting Torque (lb.-in.)	21713	21713	21713	21713	21713	21713	21713	21713	21713	21713	21529	20748	19794	18659	17808
	Running Pressure (psi)	1665	1581	1513	1456	1408	1366	1331	1299	1191	1031	900	742	550	411	308
	Flow Rate (gpm)	29.2	31.9	34.6	37.3	40.1	42.9	45.7	48.5	54.0	59.5	64.9	73.2	87.20	101.3	115.4

★ See pages G2-145 for definition of requirements.

EASY SELECTION



HYDROIL TORQUE-ARM Shaft Mount Speed Reducers

Table 16 - Class II Selection Table HXT Reducers - Single Reduction
HXT-105 - HXT-505A

Reducer Size	Requirements ★	Output Speed															
		90	100	110	120	130	140	150	160	180	200	220	250	300	350	400	
HXT-105	OUTPUT HP (RUNNING)	2.8	3.0	3.2	3.4	3.5	3.7	3.9	4.1	4.4	4.8	4.9	5.1	5.4	5.6	5.9	
	Running Torque	1970	1887	1819	1762	1714	1673	1638	1606	1555	1513	1409	1285	1133	1017	930	
	Starting Torque	5515	5283	5093	4934	4800	4685	4585	4498	4353	4237	3946	3598	3172	2848	2605	
	Running Pressure	701	672	648	627	610	596	583	572	553	539	502	457	403	362	331	
	Flow Rate, GPM	8.9	9.8	10.6	11.5	12.3	13.2	14.0	14.9	16.6	18.3	20.0	22.6	26.9	31.2	35.5	
HXT-205	OUTPUT HP (RUNNING)	4.9	5.1	5.3	5.5	5.7	5.9	6.2	6.4	6.8	7.2	7.5	7.9	8.6	9.2	9.8	
	Running Torque	3399	3197	3031	2892	2775	2675	2588	2512	2386	2284	2153	1995	1802	1659	1551	
	Starting Torque	6238	6238	6238	6238	6238	6238	6238	6238	6238	6238	6028	5586	5046	4644	4342	
	Running Pressure	1286	1209	1146	1094	1050	1012	979	950	902	864	814	755	682	627	587	
	Flow Rate, GPM	9.4	10.1	10.8	11.5	12.3	13.1	13.8	14.6	16.2	17.8	19.4	21.7	25.8	29.8	33.9	
HXT-305A	OUTPUT HP (RUNNING)	7.2	7.7	8.1	8.5	9.0	9.4	9.9	10.3	11.2	12.1	12.6	13.4	14.6	15.3	15.0	
	Running Torque	5053	4827	4642	4489	4358	4247	4150	4066	3925	3812	3611	3371	3076	2752	2363	
	Starting Torque	11851	11851	11851	11851	11851	11851	11621	11384	10989	10673	10112	9438	8614	7705	7024	
	Running Pressure	1006	961	924	894	868	846	826	810	781	759	719	671	613	548	471	
	Flow Rate, GPM	16.8	18.2	19.7	21.2	22.7	24.2	25.7	27.2	30.3	33.4	36.4	40.9	48.6	56.3	63.9	
HXT-405A	OUTPUT HP (RUNNING)	12.6	13.2	13.8	14.4	14.9	15.5	16.1	16.7	17.8	19.0	20.2	22.0	20.4	18.7	17.0	
	Running Torque	8848	8325	7897	7541	7239	6981	6757	6561	6234	5973	5776	5541	4286	3367	2679	
	Starting Torque	11956	11956	11956	11956	11956	11956	11956	11956	11956	11956	11956	11956	11956	11956	11956	
	Running Pressure	1746	1643	1559	1488	1429	1378	1333	1295	1230	1179	1140	1093	846	665	529	
	Flow Rate, GPM	18.9	20.2	21.5	22.9	24.4	25.8	27.3	28.7	31.7	34.8	37.8	42.4	49.7	57.1	64.6	
HXT-505A	OUTPUT HP (RUNNING)	15.6	16.5	17.4	18.2	19.1	20.0	20.8	21.7	23.4	25.1	26.8	27.1	24.1	21.0	18.0	
	Running Torque	10944	10394	9945	9570	9253	8981	8746	8540	8196	7921	7689	6832	5063	3782	2836	
	Starting Torque	21713	21713	21713	21713	21713	21713	21713	21713	21713	21713	21529	20748	19794	18659	17808	
	Running Pressure	1189	1130	1081	1040	1006	976	950	928	891	861	836	742	550	411	308	
	Flow Rate, GPM	28.2	31.0	33.7	36.5	39.3	42.1	44.9	47.8	53.4	59.1	64.8	73.2	87.2	101.3	115.4	

★ See pages G2-145 for definition of requirements.

Gearing Reference Guide

TORQUE-ARM II

TORQUE-ARM

MAXUM

TIGEAR-2

FEATURES/BENEFITS PAGE G2-2	SPECIFICATION PAGE G2-9	RELATED PRODUCTS PAGE G2-152	RENEWAL PARTS PAGE G2-166
--------------------------------	----------------------------	---------------------------------	------------------------------



EASY SELECTION

HYDROIL TORQUE-ARM Shaft Mount Speed Reducers

Table 17 - Class III Selection Table HXT Reducers - Single Reduction
HXT-105 - HXT-505A

Reducer Size	Requirements ★	Output Speed														
		90	100	110	120	130	140	150	160	180	200	220	250	300	350	400
HXT-105	OUTPUT HP (RUNNING)	2.0	2.1	2.2	2.3	2.5	2.6	2.7	2.9	3.1	3.4	3.4	3.6	3.8	4.0	4.1
	Running Torque (lb.-in.)	1379	1321	1273	1234	1200	1171	1146	1125	1088	1059	987	899	793	712	651
	Starting Torque (lb.-in.)	5515	5283	5093	4934	4800	4685	4585	4498	4353	4237	3946	3598	3172	2848	2605
	Running Pressure (psi)	491	470	453	439	427	417	408	400	387	377	351	320	282	254	232
	Flow Rate (gpm)	8.6	9.5	10.3	11.2	12.0	12.9	13.8	14.6	16.4	18.1	19.8	22.4	26.7	31.0	35.4
HXT-205	OUTPUT HP (RUNNING)	3.4	3.6	3.7	3.9	4.0	4.2	4.3	4.5	4.8	5.1	5.3	5.5	6.0	6.4	6.9
	Running Torque (lb.-in.)	2380	2238	2121	2025	1943	1873	1812	1759	1670	1599	1507	1397	1262	1161	1086
	Starting Torque (lb.-in.)	6238	6238	6238	6238	6238	6238	6238	6238	6238	6238	6028	5586	5046	4644	4342
	Running Pressure (psi)	900	846	802	766	735	708	685	665	632	605	570	528	477	439	411
	Flow Rate (gpm)	8.8	9.5	10.3	11.0	11.8	12.6	13.4	14.2	15.8	17.4	19.0	21.4	25.5	29.5	33.6
HXT-305A	OUTPUT HP (RUNNING)	5.1	5.4	5.7	6.0	6.3	6.6	6.9	7.2	7.8	8.5	8.8	9.4	10.3	10.7	11.1
	Running Torque (lb.-in.)	3537	3379	3250	3142	3051	2973	2905	2846	2747	2668	2528	2359	2153	1926	1756
	Starting Torque (lb.-in.)	11851	11851	11851	11851	11851	11851	11621	11384	10989	10673	10112	9438	8614	7705	7024
	Running Pressure (psi)	704	673	647	626	607	592	578	567	547	531	503	470	429	384	350
	Flow Rate (gpm)	16.0	17.5	19.0	20.5	22.0	23.5	25.0	26.6	29.7	32.7	35.8	40.4	48.1	55.8	63.6
HXT-405A	OUTPUT HP (RUNNING)	8.8	9.2	9.6	10.1	10.5	10.9	11.3	11.7	12.5	13.3	14.1	15.4	17.5	18.7	17.0
	Running Torque (lb.-in.)	6194	5828	5528	5279	5068	4887	4730	4592	4364	4181	4043	3879	3677	3367	2679
	Starting Torque (lb.-in.)	11956	11956	11956	11956	11956	11956	11956	11956	11956	11956	11956	11956	11956	11956	11956
	Running Pressure (psi)	1222	1150	1091	1042	1000	964	933	906	861	825	798	765	726	665	529
	Flow Rate (gpm)	17.5	18.9	20.3	21.7	23.2	24.7	26.2	27.7	30.7	33.8	36.9	41.5	49.3	57.1	64.6
HXT-505A	OUTPUT HP (RUNNING)	10.9	11.5	12.1	12.8	13.4	14.0	14.6	15.2	16.4	17.6	18.8	20.6	23.6	21.0	18.0
	Running Torque (lb.-in.)	7661	7276	6961	6699	6477	6287	6122	5978	5737	5545	5382	5187	4948	3782	2836
	Starting Torque (lb.-in.)	21713	21713	21713	21713	21713	21713	21713	21713	21713	21713	21529	20748	19794	18659	17808
	Running Pressure (psi)	832	791	756	728	704	683	665	650	623	603	585	564	538	411	308
	Flow Rate (gpm)	27.5	30.3	33.1	35.9	38.7	41.5	44.4	47.2	52.9	58.6	64.3	72.9	87.2	101.3	115.4

★ See pages G2-145 for definition of requirements.



EASY SELECTION

HYDROIL TORQUE-ARM Shaft Mount Speed Reducers

★ Requirements:

Output HP - Horsepower rating of the reducer/motor under continuous operation after load has been started.

Running Torque - Continuous output torque rating of reducer/motor (lb.-in.)

Starting Torque - Momentary output torque available for starting (lb.-in.)

Running Pressure - Motor pressure required to generate running torque. This will start loads not to exceed 75% of the running load. For greater starting requirements, motor pressure may be increased-see table 18. (psi)

Flow Rate - Flow required for given output RPM (gpm). With oil viscosity of 300SUS @ 100°F. for A10 and A20 motors, and 200SUS @ 100°F. for B30, B40 and B50 motors.

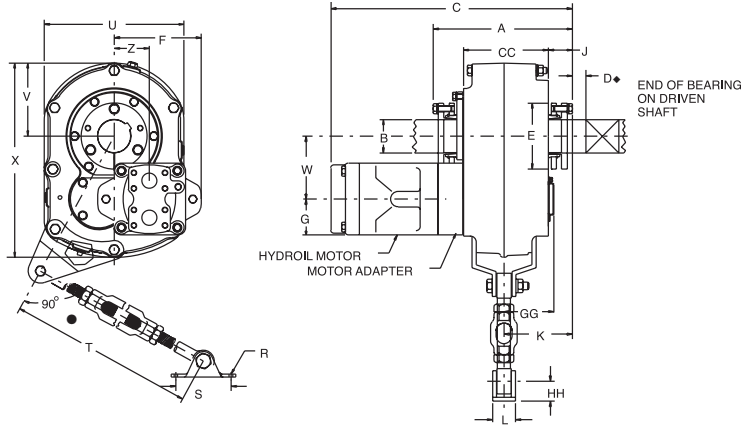
Table 18 - Maximum Hydraulic Motor Pressures Available For Starting

Double Reduction	Single Reduction	Maximum Hydraulic Pressure
---	HXT105	2500 psi
---	HXT205	
HXT315B	HXT305A	
HXT415B, 425B	HXT405A	
HXT515C, 525C	HXT505A	
HXT615A, 625A	---	
HXT715A, 725A	---	2000 psi
HXT115A, 125A	---	
HXT215A, 225A	---	
HXT325B	---	



SELECTION/DIMENSIONS

HYDROIL TORQUE-ARM Shaft Mount Speed Reducers HXT1 Thru HXT7 Taper Bushed Reducers



- ◆ Recommended minimum distance to loosen bushing using bushing screws as jack screws.

Reducer will operate satisfactorily at 90° or 180° from normal position shown in front view by relocating breather and drain plugs.

- The ideal position for the TORQUE-ARM is at right angles to a line between the point of attachment of the TORQUE-ARM to the reducer and the output shaft. This may vary up to ± 20° in tension and ± 20° in compression.

CAUTION: Exceeding the position variance of the TORQUE-ARM could result in excessive reaction load and result in damage to the equipment.

HXT1A Thru HXT7A HYDROIL Double Reduction Taper Bushed TORQUE-ARM Speed Reducers

Reducer Size		AGMA Code		Gear Ratio		Part Number		Wt.	HYDROIL Motor		A	B Max. Bore ♡	C	D	E	F	G	J	K
15:1	25:1	15:1	25:1	15:1	25:1	15:1	25:1		Size	Wt.									
.....	HXT125A	107H25	25.64	241070 ♣	49	A10	11	7.06	1.44	13.22	1.25	3.25	4.47	2.41	1.28	3.53
HXT115A	107H15	15.35	241069 ♣		A20	11									
HXT215A	HXT225A	115H15	115H25	14.10	23.46	242086 ♣	242087 ♣	65	A20	11	7.31	1.94	13.38	1.25	4.06	4.69	2.41	1.38	3.66
.....	HXT325B	205H25	24.71	243508	112	A20	11	9.22	2.19	14.64	1.50	4.38	4.88	2.41	1.58	4.44
HXT315B	203H15	14.88	243507		B30	30			15.45		5.75	2.38			
HXT415B	HXT425B	207H15	207H25	15.13	24.38	244532	244533 ♣	143	B30	30	10	2.44	16.13	1.75	4.81	6.19	2.38	1.81	4.75
.....	HXT525C	215H25	25.56	245557	245558	212	B30	30	10.5	2.94	16.88	1.81	5.63	6.50	2.38	1.94	5.50
HXT515C	215H15	15.40		B40	55			17.63		7.25	3.06			
HXT615A	HXT625A	307H15	307H25	15.33	25.13	246154 ♣	246155 ♣	293	B40	55	11.5	3.44	18.58	1.81	6.13	8.28	3.06	1.94	5.70
.....	HXT725A	315H25	24.59	247165 ♣	470	B40	55	12.81	3.94	19.16		9.30	3.06			
HXT715A	315H15	15.23	247164 ♣		B50	106			22.75	2.06	9.30	3.69	2.16	6.34	

Reducer Size	L	R Bolt	S	T		U	V	W	X	Z	CC	GG	HH
				Min.	Max.								
HXT1A	1.06	0.38	2.50	23.81	29.63	7.13	3.75	3.19	9.94	1.91	4.50	2.66	0.94
HXT2A	1.25	0.44	3.00	26.94	32.94	8.38	4.13	3.75	11.41	2.13	4.56	2.94	1.06
HXT3A	1.25	0.44	3.00	26.94	32.94	9.25	4.81	4.19	12.88	2.31	6.38	3.25	1.06
HXT4B	1.44	0.50	4.00	29.19	35.19	10.38	5.50	4.78	15.13	2.75	6.88	3.38	1.75
HXT5C	1.44	0.50	4.00	29.19	35.19	13.13	6.56	5.69	18.31	3.06	7.06	4.50	1.75
HXT6A	2.75	0.63	4.75	29.19	35.19	15.13	7.56	6.75	21.31	4.09	7.63	4.56	2.00
HXT7A	2.75	0.63	4.75	29.44	35.44	18.75	9.38	8.31	25.94	5.13	8.13	4.69	2.00

Note: All reducers on this page require bushings. Stock HXT reducers are drilled for vertical mounting. Reducer includes motor adapter.



See pages G2-30 thru G2-57 for bore and keyseat information and bushing part numbers.



Made to order.

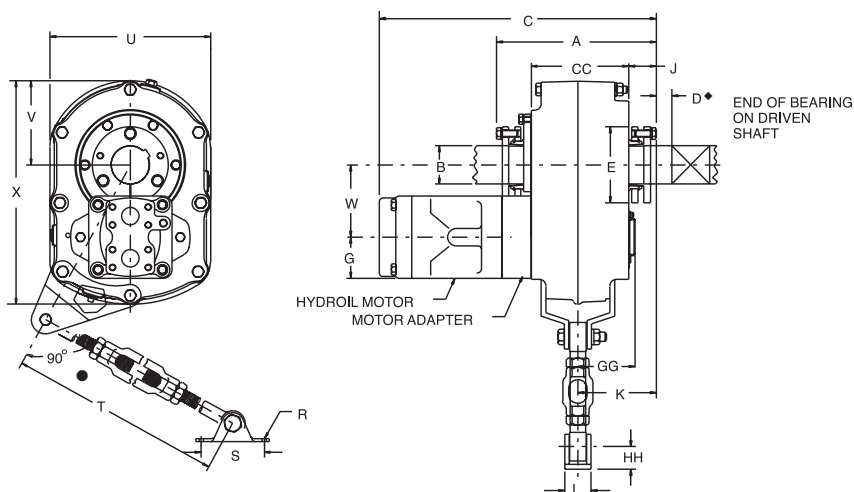
FEATURES/BENEFITS PAGE G2-2	SPECIFICATION PAGE G2-9	RELATED PRODUCTS PAGE G2-152	RENEWAL PARTS PAGE G2-166
--------------------------------	----------------------------	---------------------------------	------------------------------



SELECTION/DIMENSIONS

HYDROIL TORQUE-ARM Shaft Mount Speed Reducers

HXT105 Thru HXT505 Taper Bushed Reducers



Reducer will operate satisfactorily at 90° or 180° from normal position shown in front view by relocating breather and drain plugs.

- ◆ Recommended minimum distance to loosen bushing using bushing screws as jack screws.

- The ideal position for the TORQUE-ARM is at right angles to a line between the point of attachment of the TORQUE-ARM to the reducer and the output shaft. This may vary up to ± 20° in tension and ± 20° in compression.

CAUTION: Exceeding the position variance of the TORQUE-ARM could result in excessive reaction load and result in damage to the equipment.

HXT105 Thru HXT505A HYDROL Single Reduction Taper Bushed TORQUE-ARM Speed Reducers

Reducer Size	AGMA Code	Gear Ratio	Part Number	Reducer Wt.	HYDROIL Motor		A	B Max. Bore ♡	C	D	E	G	J	K	L
					Size	Wt.									
HXT105	107H05	5.62	241085	44	B30	30	5.63	1.44	14.97	1.25	3.25	2.38	1.28	3.53	1.06
HXT205	115H05	5.29	242251	56	B30	30	5.81	1.94	15.25	1.25	4.06	2.38	1.38	3.66	1.25
HXT305A	203H05	5.60	253153 ♣	90	B40	55	6.88	2.19	17.66	1.5	4.38	3.06	1.58	4.44	1.25
HXT405A	207H05	5.65	254202 ♣	126	B40	55	7.81	2.44	18.69	1.75	4.81	3.06	1.81	4.75	1.44
HXT505A	215H05	5.67	255202 ♣	186	B50	106	8.38	2.94	22	1.81	5.63	3.69	1.92	4.13	1.44

HXT105 Thru HXT505A HYDROL Single Reduction Taper Bushed TORQUE-ARM Speed Reducers

Reducer Size	R Bolt	S	T		U	V	W	X	CC	GG	HH
			Min.	Max.							
HXT105	0.38	2.50	23.81	29.63	7.13	3.75	3.25	9.94	4.50	2.64	0.94
HXT205	0.44	3.00	26.94	32.94	8.50	4.13	3.88	11.41	4.56	2.83	1.06
HXT305A	0.44	3.00	26.94	32.94	9.25	4.81	4.28	12.88	6.38	3.25	1.06
HXT405A	0.50	4.00	29.19	35.19	10.38	5.50	4.88	15.13	6.88	3.38	1.75
HXT505A	0.50	4.00	29.19	35.19	13.13	6.56	5.88	18.31	7.06	4.50	1.75

Note: All reducers on this page require bushings. Stock HXT reducers are drilled for vertical mounting. Reducer includes motor adapter.

♡ See pages G2-30 thru G2-57 for bore and keyseat information and bushing part numbers.

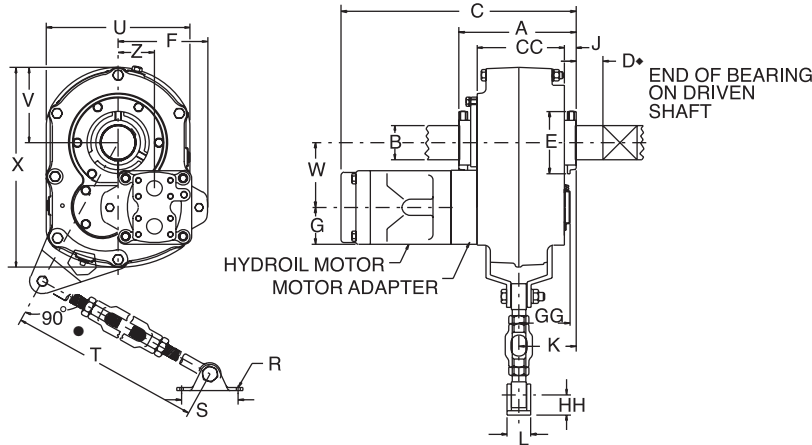
♣ Made to order.

FEATURES/BENEFITS PAGE G2-2	SPECIFICATION PAGE G2-9	RELATED PRODUCTS PAGE G2-152	RENEWAL PARTS PAGE G2-166
--------------------------------	----------------------------	---------------------------------	------------------------------



SELECTION/DIMENSIONS

HYDROIL TORQUE-ARM Shaft Mount Speed Reducers HXT1 Thru HXT7 Straight Bore Reducers



Reducer will operate satisfactorily at 90° or 180° from normal position shown in front view by relocating breather and drain plugs.

- The ideal position for the TORQUE-ARM is at right angles to a line between the point of attachment of the TORQUE-ARM to the reducer and the output shaft. This may vary up to ± 20° in tension and ± 20° in compression. **CAUTION:** Exceeding the position variance of the TORQUE-ARM could result in excessive reaction load and result in damage to the equipment.

HXT1A Thru HXT7A HYDROIL Double Reduction Straight Bore TORQUE-ARM Speed Reducers ♣

Reducer Size		AGMA Code		Gear Ratio		Part Number		Wt.	HYDROIL Motor		A	B Max. Bore ▼	C	E	F	G	J	K	L
15:1	25:1	15:1	25:1	15:1	25:1	15:1	25:1		Size	Wt.									
.....	HXT125A	107H25	25.64	241078	49	A10	11	5.63	1.44	12.50	3.19	4.47	2.41	0.56	2.81	1.06
HXT115A	107H15	15.35	241077		A20	11									
HXT215A	HXT225A	115H15	115H25	14.10	23.46	242094	242095	65	A20	11	5.81	1.94	12.63	3.56	4.69	2.41	0.63	2.91	1.25
.....	HXT325B	203H25	24.71	243520	112	A20	11	7.81	2.19	13.69	4.00	4.88	2.41	0.63	2.47	1.25
HXT315B	203H15	14.88	243519		B30	30									
HXT415B	HXT425B	207H15	207H25	15.13	24.38	244544	244545	143	B30	30	8.22	2.44	15.16	4.38	6.19	2.38	0.84	3.88	1.44
.....	HXT525C	215H25	25.56	245570	212	B30	30	8.66	2.94	15.94	5.13	6.50	2.38	1.00	4.13	1.44
HXT515C	215H15	15.40	245569		B40	55									
HXT615A	HXT625A	307H15	307H25	15.33	25.13	246162	246163	293	B40	55	9.63	3.44	17.69	5.63	8.28	3.06	1.00	4.81	2.75
.....	HXT725A	315H25	24.59	247173	470	B40	55	10.78	3.94	18.19	6.69	9.31	3.06	1.14	5.39	2.75
HXT715A	315H15	15.23	247172		B50	106									

Reducer Size	R Bolt	S	T		U	V	W	X	Z	CC	GG	HH
			Min.	Max.								
HXT1A	0.38	2.50	23.81	29.63	7.13	3.75	3.19	9.94	1.91	4.50	2.66	0.94
HXT2A	0.44	3.00	26.94	32.94	8.38	4.13	3.75	11.41	2.13	4.56	2.94	1.06
HXT3B	0.44	3.00	26.94	32.94	9.25	4.81	4.19	12.88	2.31	6.38	3.25	1.06
HXT4B	0.50	4.00	29.19	35.19	10.38	5.50	4.78	15.13	2.75	6.88	3.38	1.75
HXT5C	0.50	4.00	29.19	35.19	13.13	6.56	5.69	18.31	3.06	7.06	4.50	1.75
HXT6A	0.63	4.75	29.19	35.19	15.13	7.50	6.75	21.31	4.09	7.63	4.56	2.00
HXT7A	0.63	4.75	29.44	35.44	18.75	9.38	8.31	25.94	5.13	8.50	4.69	2.00

Note: Except for maximum bore, all reducers on this page require bushings. Stock HXT Reducers are drilled for vertical mounting. Reducer includes motor adapter.

▼ See pages G2-30 thru G2-57 for bore and keyseat information and bushing part numbers.

♣ Made to order.

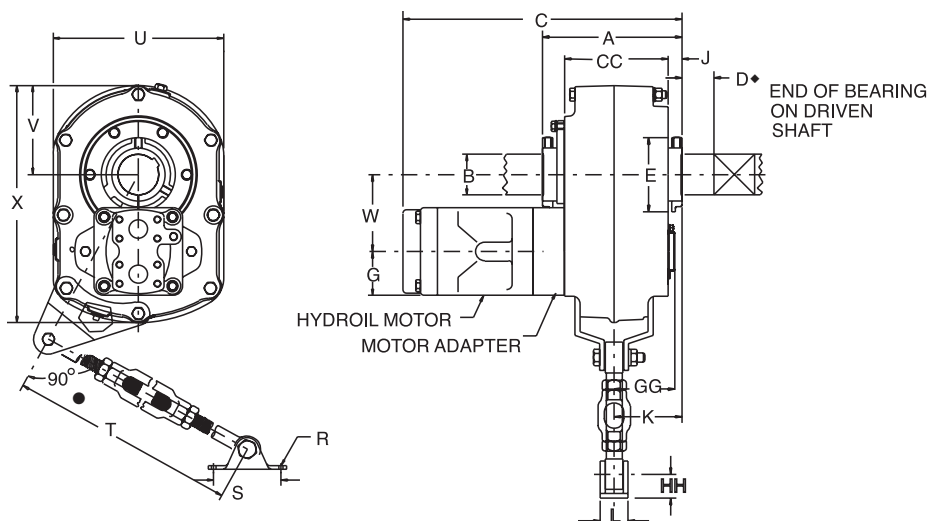
FEATURES/BENEFITS PAGE G2-2	SPECIFICATION PAGE G2-9	RELATED PRODUCTS PAGE G2-152	RENEWAL PARTS PAGE G2-166
--------------------------------	----------------------------	---------------------------------	------------------------------



SELECTION/DIMENSIONS

HYDROIL TORQUE-ARM Shaft Mount Speed Reducers

HXT105 Thru HXT505A Straight Bore Reducers



Reducer will operate satisfactorily at 90° or 180° from normal position shown in front view by relocating breather and drain plugs.

- The ideal position for the TORQUE-ARM is at right angles to a line between the point of attachment of the TORQUE-ARM to the reducer and the output shaft. This may vary up to ± 20° in tension and ± 20° in compression. **CAUTION:** Exceeding the position variance of the TORQUE-ARM could result in excessive reaction load and result in damage to the equipment.

HXT105 Thru HXT505A HYDROIL Single Reduction Straight Bore TORQUE-ARM Speed Reducers

Reducer Size	AGMA Code	Gear Ratio	Part Number	Reducer Wt.	HYDROIL Motor		A	B Max. Bore	C	D	E	G	J	K
					Size	Wt.								
HXT105	107H05	5.62	241089 ♣	44	B30	30	5.63	1.44	14.25	3.19	2.38	0.56	2.81	1.06
HXT205	115H05	5.29	242255	56	B30	30	5.81	1.94	14.5	3.56	2.38	0.63	2.91	1.25
HXT305A	203H05	5.60	253157	90	B40	55	7.41	2.19	16.69	4	3.06	0.63	4.44	1.25
HXT405A	207H05	5.65	254206 ♣	126	B40	55	8.22	2.44	17.72	4.38	3.06	0.84	4.75	1.44
HXT505A	215H05	5.67	255206 ♣	186	B50	106	8.66	2.94	21.06	5.13	3.69	1	4.13	1.44

Reducer Size	R Bolt	S	T		U	V	W	X	CC	GG	HH
			Min.	Max.							
HXT105	0.38	2.5	23.81	29.63	7.13	3.75	3.25	9.94	4.5	2.64	0.94
HXT205	0.44	3	26.94	32.94	8.5	4.13	3.88	11.41	4.56	2.83	1.06
HXT305A	0.44	3	26.94	32.94	9.25	4.81	4.29	12.88	6.38	3.25	1.06
HXT405A	0.5	4	29.19	35.19	10.38	5.5	4.88	15.13	6.88	3.38	1.75
HXT505A	0.5	4	29.19	35.19	13.13	6.56	5.88	18.31	7.06	4.15	1.75

Note: Except for maximum bore, all reducers on this page require bushings. Stock HXT Reducers are drilled for vertical mounting. Reducer includes motor adapter.

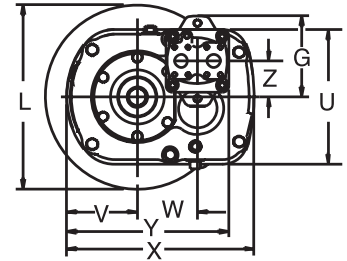
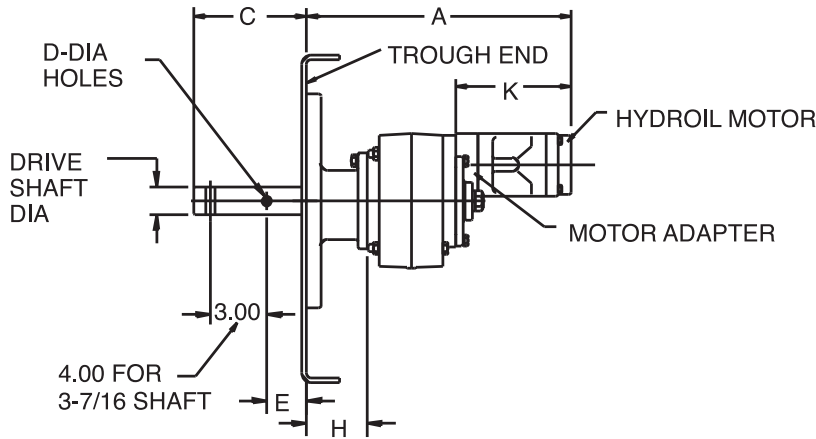
- ♥ See pages G2-30 thru G2-57 for bore and keyseat information and bushing part numbers.
- ♣ Made to order.

FEATURES/BENEFITS PAGE G2-2	SPECIFICATION PAGE G2-9	RELATED PRODUCTS PAGE G2-152	RENEWAL PARTS PAGE G2-166
--------------------------------	----------------------------	---------------------------------	------------------------------



SELECTION/DIMENSIONS

HYDROIL TORQUE-ARM Shaft Mount Speed Reducers



HSC1A Thru HSCX7A Double Reduction HYDROIL Screw Conveyor Drives †

Reducer Size	Drive Shaft Dia.	To Fit Screw Dia.	HYDROIL Motor		Parts When Ordering Separately											
					Reducer ■			CEMA Drive Shaft ★						Adapter		
			Size	Wt.	Part Number		Wt.	Size	Part No.	Wt.	C	D	E	Assy. ▲		
					15:1	25:1								Size	Part No.	Wt.
HSCX115A	1-1/2 2	6, 9 9, 12	A20	11	351191	351192	46	C1 x 1-1/2	351094	7.2	6.00	0.52	2.13	C1A	351086	17
								C1 x 2	351095	9.1	6.00	0.64	2.13			
	C1 x 2-7/16	351096	12.5					6.69	0.64	2.75						
HSCX125A	2-7/16 3	12, 14 12 thru 20	A10				46	C1 x 3	351097	17.4	6.88	0.77	2.88			
HSCX215A	1-1/2 2	6, 9 9, 12	A20	11	352191	352192	58	C2 x 1-1/2	352090	11.4	6.00	0.52	2.13	C2A	352052	20
								C2 x 2	352091	13.8	6.00	0.64	2.13			
	C2 x 2-7/16	352092						17.3	6.69	0.64	2.75					
HSCX225A	2-7/16 3	12, 14 12 thru 20					58	C2 x 3	352093	22.1	6.88	0.77	2.88			
HSCX315B	1-1/2 2	9 9, 12	B30	11	243528	243529	90	C3A x 1-1/2	243562	13.5	6.00	0.52	2.13	C3	353047	27
								C3A x 2	243563	16	6.00	0.64	2.13			
	C3A x 2-7/16	243564						19.5	6.69	0.64	2.75					
HSCX325B	2-7/16 3	12, 14 12 thru 20	A20	30				C3A x 3	243565	26	6.88	0.77	2.88			
HSCX415B	1-1/2 2	9 9, 12	B30	30	244553	244554	113	C4A x 1-1/2	244594	19	6.00	0.52	2.13	C4	354121	31
								C4A x 2	244595	20.8	6.00	0.64	2.13			
	C4A x 2-7/16	244596						24.3	6.69	0.64	2.75					
	C4A x 3	244597						29.2	6.88	0.77	2.88					
HSCX425B	3 3-7/16	12 thru 20 18 thru 24						C4A x 3-7/16	244598	29.3	9.13	0.89	3.88			
HSCX515C	2 2-7/16	9, 12 12, 14	B40	30	245578	245579	165	C5B x 2	355175	29.4	6.00	0.64	2.13	C5	355072	43
								C5B x 2-7/16	355176	33	6.69	0.64	2.75			
	C5B x 3	355177						37.9	6.88	0.77	2.88					
HSCX525C	3 3-7/16	12 thru 20 18 thru 24	B30	55				C5B x 3-7/16	355178	48.3	9.13	0.89	3.88			
HSCX615A	2-7/16 3	12, 14 12 thru 20	B40	55	356291	356292	225	C6 x 2-7/16	356042	47.7	6.69	0.64	2.75	C6	356055	56
								C6 x 3	356043	52.7	6.88	0.77	2.88			
HSCX625A	3-7/16	18 thru 24						C6 x 3-7/16	356044	63	9.13	0.89	3.88			
HSCX715A	2-7/16 3	12, 14 12 thru 20	B50	55	356296	356297	390	C7 x 2-7/16	356182	65	6.69	0.64	2.75	C7	356187	72
								C7 x 3	356183	70	6.88	0.77	2.88			
HSCX725A	3-7/16	18 thru 24	B40	106				C7 x 3-7/16	356184	80.3	9.13	0.89	3.88			



SELECTION/DIMENSIONS

HYDROIL TORQUE-ARM Shaft Mount Speed Reducers

HSCXT1A Thru HSCXT7A Double Reduction HYDROIL Screw Conveyor Drives †

Reducer Size	Actual Ratio		Max. RPM of Shaft				A	G	H	K	L	U	V	W	X	Y	Z
	15:1	25:1	Input		Driven												
			15:1	25:1	15:1	25:1											
HSCXT1A	15.35 25.64	2149 2179	140 85	15.34	4.47	3.22	7.44	7.00	7.13	3.75	3.38	9.94	9.34	1.91
HSCXT2A	14.97	24.92	2096	2118	140	85	15.94	4.69	3.56	7.44	7.00	8.38	4.09	3.77	11.41	10.27	2.14
HSCXT3B	15.26 25.34	2136 2155	140 85	17.81 17.00	5.75 4.88	3.69	7.44	11.38	9.25	4.84	4.17	13.72	11.39 11.42	2.33
HSCXT4B	15.30	24.64	2142	2094	140	85	18.44	6.19	4.00	7.38	11.38	10.38	5.50	4.78	15.31	12.66	2.75
HSCXT5C	15.38 25.54	1919 2043	125 80	20.56 19.81	7.25 6.50	4.25	9.19 7.75	11.38	13.13	6.56	5.67	18.31	14.30 14.61	3.05
HSCXT6A	15.33	25.13	1895	1985	125	80	21.81	8.28	5.50	9.31	11.38	15.13	7.56	6.73	21.31	17.36	4.09
HSCXT7A	15.23 24.59	1767 1844	116 75	26.28 23.00	8.38 9.31	6.31	10.56 8.81	11.38	18.75	9.38	8.30	25.94	22.11 20.36	5.11

† For a complete HSCXT drive, order a reducer, drive shaft and adapter assembly by their respective part numbers. Drive is shipped unassembled.

▲ Includes adapter, necessary mounting bolts, seal retainer and lip type seals. See page G2-122 for adapter bolt pattern details.

■ Reducer includes hydroil motor adapter.

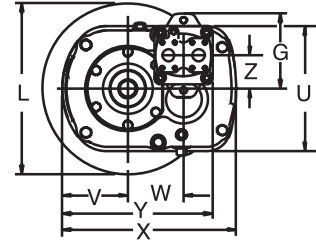
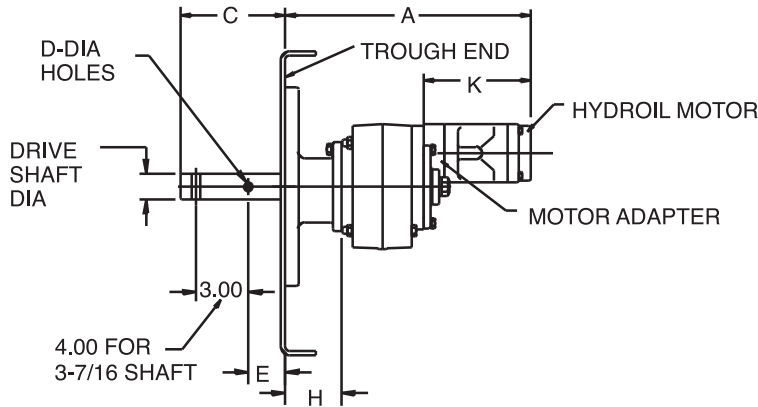
★ CEMA drive shaft and key furnished unless otherwise specified. See pages G2-123 thru G2-125 for optional drive shafts available from DODGE.

FEATURES/BENEFITS PAGE G2-2	SPECIFICATION PAGE G2-9	RELATED PRODUCTS PAGE G2-152	RENEWAL PARTS PAGE G2-166
--------------------------------	----------------------------	---------------------------------	------------------------------



SELECTION/DIMENSIONS

HYDROIL TORQUE-ARM Shaft Mount Speed Reducers



HSCXT105 Thru HSCXT505A Single Reduction HYDROIL Screw Conveyor Drives †

Reducer Size	Drive Shaft Dia.	To Fit Screw Dia	HYDROIL Motor		Parts When Ordering Separately										
					Reducer ■ ♣		CEMA Drive Shaft ★						Adapter Assy. ▲		
					Size	Wt.	Part No.	Wt.	Size	Part No.	Wt.	C	D	E	Size
HSCXT105	1-1/2	6, 9	B30	30	351190	41	C1 x 1-1/2	351094	7.2	6.00	0.52	2.13	C1A	351086	17
	2	9, 12				41	C1 x 2	351095	9.1	6.00	0.64	2.13			
	2-7/16	12, 14				41	C1 x 2-7/16	351096	12.5	6.69	0.64	2.75			
	3	12 thru 20					C1 x 3	351097	14.4	6.88	0.77	2.88			
HSCXT205	1-1/2	6, 9	B30	30	352190	53	C2 x 1-1/2	352090	11.4	6.00	0.52	2.13	C2A	352052	20
	2	9, 12				53	C2 x 2	352091	13.8	6.00	0.64	2.13			
	2-7/16	12, 14				53	C2 x 2-7/16	352092	17.3	6.69	0.64	2.75			
	3	12 thru 20					C2 x 3	352093	22.1	6.88	0.77	2.88			
HSCXT305A	1-1/2	9	B40	55	253160	79	C3A x 1-1/2	243562	13.5	6.00	0.52	2.13	C3	353047	27
	2	9, 12				79	C3A x 2	243563	16.0	6.00	0.64	2.13			
	2-7/16	12, 14				79	C3A x 2-7/16	243564	19.5	6.69	0.64	2.75			
	3	12 thru 20				79	C3A x 3	243565	26.0	6.88	0.77	2.88			
HSCXT405A	1-1/2	9	B40	55	254209	101	C4A x 1-1/2	244594	19.0	6.00	0.52	2.13	C4	354121	31
	2	9, 12				101	C4A x 2	244595	20.8	6.00	0.64	2.13			
	2-7/16	12, 14				101	C4A x 2-7/16	244596	24.3	6.69	0.64	2.75			
	3	12 thru 20				101	C4A x 3	244597	29.2	6.88	0.77	2.88			
	3-7/16	18 thru 24				101	C4A x 3-7/16	244598	39.3	9.13	0.89	3.88			
HSCXT505A	2	9, 12	B50	106	255209	160	C5B x 2	355175	29.4	6.00	0.64	2.13	C5	355072	43
	2-7/16	12, 14				160	C5B x 2-7/16	355176	33.0	6.69	0.64	2.75			
	3	12 thru 20				160	C5B x 3	355177	37.9	6.88	0.77	2.88			
	3-7/16	18 thru 24				160	C5B x 3-7/16	355178	48.3	9.13	0.89	3.88			

Reducer Size	Actual Ratio	Max. RPM of Shaft		A	H	K	L	U	V	W	X	Y
		Input	Driven									
HSCXT105	5.62	2246	400	16.28	3.22	8.38	7.00	7.13	3.75	3.27	9.94	9.39
HSCXT205	5.62	2246	400	16.50	3.56	8.50	7.00	8.38	4.09	3.86	11.41	10.33
HSCXT305A	5.31	2124	400	20.00	3.69	10.31	11.38	9.25	4.84	4.28	13.72	12.19
HSCXT405A	5.27	2108	400	21.00	4.00	10.63	11.38	10.38	5.50	4.88	15.94	16.50
HSCXT505A	5.69	2275	400	22.00	4.25	11.72	11.38	13.00	6.56	5.86	18.31	16.86

† For a complete HSCXT drive, order a reducer, drive shaft and adapter assembly by their respective part numbers. Drive is shipped unassembled.

▲ Includes adapter, necessary mounting bolts, seal retainer and lip type seals.

■ Reducer includes hydroil motor adapter.

♣ Made to order.

★ CEMA drive shaft and key furnished unless otherwise specified. See pages G2-123 thru G2-125 for optional drive shafts available from DODGE.

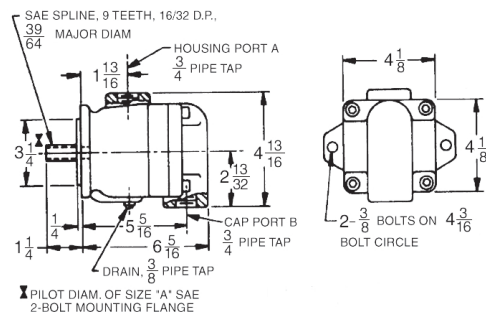
FEATURES/BENEFITS PAGE G2-2	SPECIFICATION PAGE G2-9	RELATED PRODUCTS PAGE G2-152	RENEWAL PARTS PAGE G2-166
--------------------------------	----------------------------	---------------------------------	------------------------------



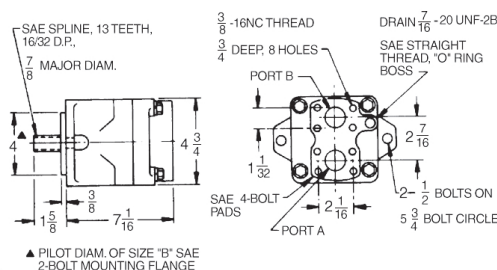
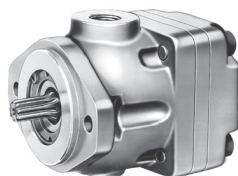
SELECTION/DIMENSIONS

HYDROIL TORQUE-ARM Shaft Mount Speed Reducers

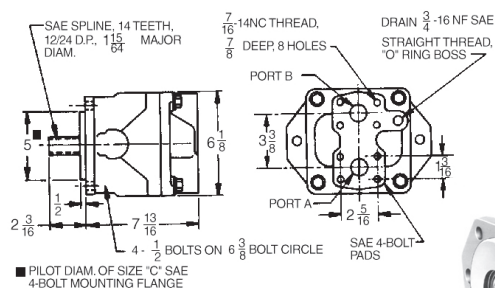
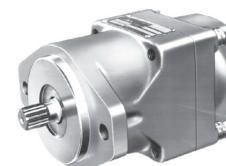
HYDROIL Van Motors



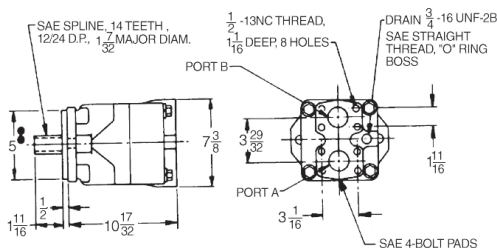
A10 & A20



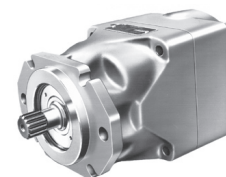
B30 (Port A & Port B, 1" dia.)



B40 (Port A and Port B, 1 1/4" dia.)



B50 (Port A & Port B, 2" dia.)



HYDROIL Vane Motors are superior single stage vane type fluid motor. A series of internal ports admit oil to and carry it from the power element. Complete hydraulic balance of the assembly contributes to the mechanical efficiency and long life of these motors as well as to their unusually quiet operation. Other exclusive features assure a minimum of friction and efficient valving action regardless of operating speeds.

HYDROIL Vane Motors can be run in either direction of rotation. Flow into port A (see drawing) will result in clockwise rotation as viewed from shaft end of motor. Flow into port B will result in counterclockwise rotation.

Inlet and outlet ports on sizes A10 and A20 will accommodate standard tapered pipe fittings. Larger sizes will accommodate SAE split flanges.

Drains should be connected to tank with connections and hoses capable of withstanding 50 psi. No drain is required on sizes A10 and A20 if the housing port is the low pressure port and is never subjected to more than 20 psi, in which case the motor drains internally.

HYDROIL Vane Motors for HXT Reducers

Motor Size	Part Number	Wt. (lbs)
A10	444049	11
A20	444050	11
B30	444054	30
B40	444055	55
B50	444056	106

NOTE: HXT1A thru HXT7A reducers are available in selected ratios to accommodate H, S and T-Series 6B spline, SAE "A" 2-bolt motors. See Related Products section for information on the HXT6B spline reducers.

FEATURES/BENEFITS PAGE G2-2	SPECIFICATION PAGE G2-9	RELATED PRODUCTS PAGE G2-152	RENEWAL PARTS PAGE G2-166
--------------------------------	----------------------------	---------------------------------	------------------------------

RELATED PRODUCTS

DODGE®



HYDROIL TORQUE-ARM Shaft Mount Speed Reducers

CHAR-LYNN* Compatible 6B Spline Reducer

New hydraulically powered DODGE TORQUE-ARM Twin Taper bushed speed reducers with 6B spline, SAE "A" 2-bolt motor flange. Suitable for Char-Lynn H, S, T and 2000 series motors or equal. This is a modified version of the HXT TORQUE-ARM speed reducer

- Twin Tapered Mounting
- Material Cost Savings
- Installed Cost Savings
- Simple Installation
- No Periodic Maintenance Cost Associated with Chain Drives
- Eliminate V-Drives
- Compact Drive Design
- Infinitely Adjustable Speeds/Torque
 - Driven machinery can be inched/jogged
 - Direction of rotation can be reversed
 - Low speed, high torque capability
- Shock Resistant Helical Gearing
- Reduced Motor Costs
- Optimized Pressure, Ratio and Flow
- No Motor Drain

Specifications

Reducer will be modified on the input section to facilitate the mounting of a basic Char-Lynn hydraulic motor or equivalent. This modification allows the mounting of H, S and T series motors which must be equipped with a two-bolt SAE "A" flange (3.25 pilot diameter) and a 6B splined shaft (other comparably equipped motor brands will also work). Reducer installation shall be accomplished by using ductile iron, fully split Twin Tapered bushings. Reducer removal shall be accomplished by providing jack screw holes in the bushing flanges to mechanically remove the tapered assembly.

*Char-Lynn is a registered trademark of EATON

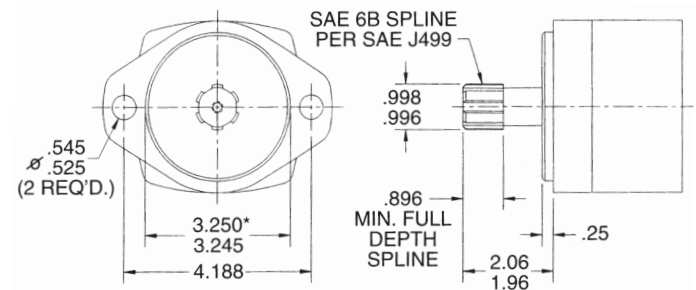
Maximum Input and Driven Speeds for HXT-6B Reducers

Reducer Size	Double Reduction					Single Reduction		
	Input RPM		Driven RPM			Reducer Size	Input RPM	Driven
	15	25	9	15	25			
HXT3 6B	-	2100	200	140	85	HXT105 6B	2246	400
HXT4 6B	2118	2072	200	140	85	HXT205 6B	2116	400
HXT5 6B	-	2044	200	125	80	HXT305 6B	2240	400
HXT6 6B	-	2010	200	125	80	HXT405 6B	2280	400
HXT7 6B	-	1844	200	125	75	HXT505 6B	2287	400

TORQUE-ARM Hydraulic Taper Bushed Speed Reducers

Reducer Size	Part Number	Exact Ratios	Max. Bore
HXT105T C/L 6B	251140	5.62	1.44
HXT205T C/L 6B	252140	5.29	1.94
HXT305AT C/L 6B	253140	5.60	2.19
HXT405AT C/L 6B	254140	5.65	2.44
HXT505AT C/L 6B	255160	5.67	2.94
HXT325BT CL 6B	243571	24.71	2.19
HXT415BT C/L 6B	244556	15.13	2.44
HXT425BT C/L 6B	244557	24.38	2.44
HXT525CT C/L 6B	245640	25.56	2.94
HXT625AT C/L 6B	246520	25.13	3.44
HXT725AT C/L 6B	247520	24.59	3.94

Motor Mounting Dimensions



* PILOT DIA. OF SIZE "A" SAE TWO-BOLT MOUNTING FLANGE



RELATED PRODUCTS

HYDROIL TORQUE-ARM Shaft Mount Speed Reducers

- Class I - Refer to pages G2-16 thru G2-18 - to determine appropriate drive service factor for your specific application and duty cycle. Refer to tables below for reducer Class I ratings.
- Class II - Refer to pages G2-16 thru G2-18 to determine appropriate drive service factor for your specific application and duty cycle. To obtain Class II reducer ratings, divide Class I ratings from the tables below by 1.4.
- Class III - Refer to pages G2-16 thru G2-18 to determine appropriate drive service factor for your specific application and duty cycle. To obtain Class III reducer ratings, divide Class I ratings from the tables below by 2.0.

Continuous Input Horsepower - Class I*

Output RPM	Reducer Size										
	HXT105 C/L	HXT205 C/L	HXT305A C/L	HXT405A C/L	HXT505A C/L	HXT325B C/L	HXT415B C/L	HXT425B C/L	HXT525C C/L	HXT625A C/L	HXT725A C/L
1	0.06	0.11	0.16	0.22	0.33	0.17	0.26	0.26	0.44	0.69	1.00
5	0.26	0.52	0.72	1.01	1.55	0.84	1.29	1.29	2.18	3.46	4.98
10	0.50	0.99	1.41	1.96	3.04	1.68	2.52	2.52	4.35	6.89	9.66
20	0.98	1.95	2.45	3.88	6.05	3.30	4.98	4.98	8.38	13.37	18.68
30	1.47	2.94	4.14	5.78	8.74	4.90	7.33	7.33	12.24		
40	1.95	3.85	5.51	7.64	11.13		9.52				
50	2.43	4.81	6.88	9.55	13.51		11.57				
60	2.70	5.34	7.92	11.07							
70	2.95	5.86	8.97	12.46							
80	3.22	6.38	10.01	13.85							
90	3.48	6.92	11.06	15.29							
100	3.75	7.44	12.10	16.83							
110	3.77	7.48	12.53								
120	3.98	7.92	13.46								
130	4.21	8.37	14.41								
140	4.42	8.81									
150	4.66	9.27									
160	4.87	9.71									

* INPUT HP - HP rating of reducer at input shaft under continuous operation after load has been started

Continuous Output Torque - Class I**

Output RPM	Reducer Size										
	HXT105 C/L	HXT205 C/L	HXT305A C/L	HXT405A C/L	HXT505A C/L	HXT325B C/L	HXT415B C/L	HXT425B C/L	HXT525C C/L	HXT625A C/L	HXT725A C/L
1	3470	6980	9580	13500	20100	10400	16000	16000	27000	42700	61600
5	3200	6380	8950	12500	19200	10400	16000	16000	27000	42700	61600
10	3100	6140	8700	12100	18800	10400	15600	15600	26900	42600	59700
20	3040	6020	8580	12000	18700	10200	15400	15400	25900	41300	57700
30	3020	5980	8530	11900	18000	10100	15100	15100	25200		
40	3010	5950	8510	11800	17200		14700				
50	3000	5940	8500	11800	16700		14300				
60	2780	5500	8160	11400							
70	2600	5170	7920	11000							
80	2490	4930	7730	10700							
90	2390	4750	7590	10500							
100	2320	4600	7480	10400							
110	2120	4200	7040								
120	2050	4080	6930								
130	2000	3980	6850								
140	1950	2890									
150	1920	3820									
160	1880	3750									

** OUTPUT TORQUE - Continuous output torque rating of reducer (in-lbs)

PEAK HP - Momentarily, peak horsepower may be very high. For example, in applications with high inertia loads, oversize or high torque motors, etc.

Where this momentary peak exceeds 200% of normal (100% overload) the equivalent HP may be obtained by dividing the peak HP by two. If the results exceed the horsepower obtained from a consideration of service and duty, it should be used to select the reducer size.

NOTE: Below 15 RPM output speed, oil level must be adjusted to reach highest oil level plug (P).

FEATURES/BENEFITS PAGE G2-2	SPECIFICATION PAGE G2-9	MODIFICATION/ACCESSORIES PAGE G2-120	RENEWAL PARTS PAGE G2-166
--------------------------------	----------------------------	---	------------------------------



RELATED PRODUCTS

TORQUE-ARM Shaft Mount Speed Reducers

HARSH DUTY ACCESSORIES XT CORROSION RESISTANCE

Zinc Plated Fasteners

Includes all housing and TORQUE-ARM rod fasteners. Factory assembled.

TDNC Coated Tapered Busings (Thin Dense Nickel Chrome)

TDNC coating on bushing, backup plate and snap rings provide maximum corrosion resistance. Zinc plated fasteners included. Consult Dodge for price and delivery.

CEMA Stainless Steel Drive Shafts for Screw Conveyor Drives

#316 stainless steel, three hole construction now available on short cycle delivery. Consult DODGE for delivery.

XT Hostile Environments

Filter Breather

Optional 40 micron filter with cap. Combats dust, dirt and wet environments. Replaces standard breather assembly. Stock item.

Enclosed Breather Chamber

Elastic diaphragm enclosed in steel chamber provides closed system. Protects reducer components and lubricant in wet, dusty or hot environments. Install in new reducer installations only. Mounts in uppermost position and replaces standard breather. Stock item.

Oil Sump Heater

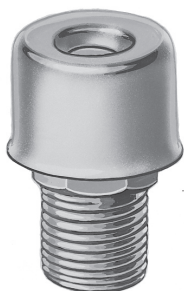
110 volt, single phase, AC cartridge heater, threads into standard tapped drain hole. Provides approximately 70 ° F temperature rise in one hour for cold climates. Simple time phased on/off construction. Standard oil sump heater does not come with thermostat. Factory cycle item.

CEMA AC Packing Adaptor Kit

For tough, abrasive environments. Protects reducer from contamination. Multiple braided felt seal rings. Repack without removal. Stock item.

Long Term Storage

Preparation for long storage or delayed job start-up. Reducer is protected internally with a vapor phase corrosion inhibiting oil. Breather removed and reducer sealed with pipe plug. See page G2-181 for details.



**Filter
Breather**



**Enclosed
Chamber
Breather**



**Oil
Sump
Heater**



RELATED PRODUCTS

TORQUE-ARM Shaft Mount Speed Reducers Harsh Duty Accessories

TORQUE-ARM Shaft Mount Speed Reducers HARSH DUTY ACCESSORIES

XT SAFETY & SEALING

Metal End Covers, Open, Closed and Split

Protection for oil seal areas and from rotating components. Enhances seal life.
Closed or open for input shaft side. Two piece split for backstop side.
Simply position on reducer, drill holes and insert self tapping screws. Stock item.

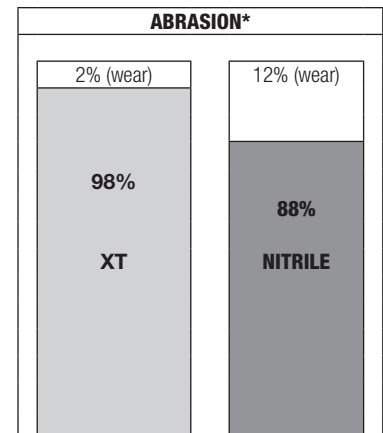
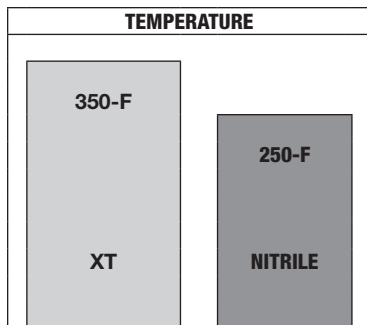


Extended life high temperature and abrasion resistant XT harsh duty oil seals (TXT 5B-10A double reduction.) Stocked individually or installed to order.

Optional feature.

The addition of lithium sterate aluminate to the XT harsh duty seal compound acts as a friction-reducing, antiwear additive resulting in extended service life. XT harsh duty seals provide 4 to 6 times the abrasion resistance of standard nitrile seals, resulting in lower seal life and less unscheduled downtime. As oil temperature increases, seal life may be reduced. With standard nitrile seals, the increase in temperature from 200 ° F to 225 ° F can reduce seal life up to 50% as the seal lip gets brittle and cracks. XT harsh duty seals will handle up to 350 ° F (176 ° C), a 40% increase in temperature capability over standard nitrile seals.

Note: Contact DODGE if oil sump temperature exceeds 200 degrees F maximum with petroleum lubricants.



* Run in accordance with ASTM D-3389

Belt Guards, Backstops

Rugged slotted metal construction with welded straps. No drilling required to install. Includes mounting hardware and bolts to reducer and motor mount.

Backstops prevent reversing and allow for either direction of operation.

Stock items.

Input Auxiliary Seal

Metal cover with internal V-Seal/Labyrinth construction. Complete with lubrication filling or no-lub plug. Combats dust, dirt and moisture. Protects high speed oil seal. Stock item.

FEATURES/BENEFITS PAGE G2-2	SPECIFICATION PAGE G2-9	MODIFICATION/ACCESSORIES PAGE G2-120	RENEWAL PARTS PAGE G2-166
--------------------------------	----------------------------	---	------------------------------



RELATED PRODUCTS

TORQUE-ARM Shaft Mount Speed Reducers

Harsh Duty Accessories

XT Lubrication

- Oil level sight gauge. Stock item
- New DODGE/AGMA/ISO viscosity standards
- New higher viscosity lubricant selections
- Brand options

Maximizing productivity and uptime is paramount in today's industry. By following some simple recommendations on lubrication, OEMs and users can improve product performance and reduce downtime. Remember, the purpose of speed reducer lubrication is to minimize frictional forces, eliminate wear and dissipate heat.

The American Gear Manufacturing Association (AGMA) and ISO have changed their lubrication standards.

This change was necessitated by the increased horsepower that helical gearing is asked to transmit. As a result, higher ISO viscosity grades have been selected. The proper oil viscosity is based upon ambient temperature and gearing pitch line velocity. DODGE has converted pitch line velocity into reducer output speed (RPM).

Recommended Lubricants For TORQUE-ARM Reducers +

Brand	With Or Without Backstop		EP Oils Without Backstops	
EXXON				
150	Teresstic	150	Spartan EP	150
220		220		220
320		320		320
CHEVRON				
150	Machine	150	Gear Compound	150
220		220	EP	220
320		320		320
UNICAL				
150	Turbine Oil	150	Extra Duty HL	141
220		220	Gear Lube	207
320		320		300
MOBIL SYNTHETIC				
150	SHC	629	SHC	629
220	SHC	630	SHC	630
320	SHC	632	SHC	632
MOBIL				
150	Mobil DTE	BB	Mobil Gear	629
220	Extra Heavy	AA		630
320				632
TEXACO				
150	Regal Oil R&O	150	Meropa	150
220		220		220
320		320		320
SHELL				
150	Morlina 52B	150	Omala S2G	150
220		220		220
320		320		320

For further lubrication information, refer to DODGE TORQUE-ARM Lubrication Manual # 499336 or individual product manuals.

+ Partial list. Consult DODGE or a lubricant manufacturer for further options



RELATED PRODUCTS

TORQUE-ARM Shaft Mount Speed Reducers Harsh Duty & Sensorized Accessories

Product	Part #
TXT Encl Breather Sys. Sm (1-10)	240050
TXT Encl Breather Sys. Lg. (12-15)	240051
TXT 5D Harsh Duty Input Seal	245543
TXT 6D, 7D, 705 XT Duty Input Seal	246543
TXT8-10D, 805, 905, XT Duty I/P Seal	248443
TXT 5D Harsh Duty Output Seal	245444
TXT 6D Harsh Duty Output Seal	246444
TXT 7D Harsh Duty Output Seal	247444
TXT 8D Harsh Duty Output Seal	248444
TXT 9D Harsh Duty Output Seal	249444
TXT 10D Harsh Duty Output Seal	250444
3/8 Filter Breather Plug	430048
1/2 Filter Breather Plug	430049
Pressure Breather Vent Plug	* 6-030657
TXT 1-4 Immersion Heater	241103
TXT 5-6 Immersion Heater	241104
TXT 7-10 Immersion Heater	241105
TXT1 SS CIs Aux Cvr Asy	246601
TXT1 SS Opn Aux Cvr Asy	246602
TXT1 BS Split Aux Cvr Asy	246603
TXT2 SS CIs Aux Cvr Asy	246604
TXT2 SS Opn Aux Cvr Asy	246605
TXT2 BS Split Aux Cvr Asy	246606
TXT3 SS CIs Aux Cvr Asy	246607
TXT3 SS Opn Aux Cvr Asy	246608
TXT3 BS Split Aux Cvr Asy	246609
TXT4 SS CIs Aux Cvr Asy	246610
TXT4 SS Opn Aux Asy	246611
TXT4 BS Split Aux Cvr Asy	246612
TXT5 SS CIs Aux Cvr Asy	246616
TXT5 SS Opn Aux Cvr Asy	246617
TXT5 SS BS Split Aux Cvr Asy	246618
TXT6 SS CIs Aux Cvr Asy	246619
TXT6 SS Opn Aux Cvr Asy	246620
TXT6 BS Split Aux Cvr Asy	246621
TXT7 SS CIs Aux Cvr Asy	246622
TXT7 SS Opn Aux Cvr Asy	246623
TXT7 BS Split Aux Cvr Asy	246624
TXT8 SS CIs Aux Cvr Asy	246625
TXT8 SS Opn Aux Cvr Asy	246625
TXT8 BS Split Aux Cvr Asy	246627
TXT9 SS CIs Aux Cvr Asy	246628
TXT9 SS Opn Aux Cvr Asy	246629
TXT9 SS Split Aux Cvr Asy	246630
TXT10 SS CIs Aux Cvr Asy	246631
TXT10 SS Opn Aux Cvr Asy	246632
TXT10 SS Split Aux Cvr Asy	246633
TXT12 SS CIs Aux Cvr Asy	246634
TXT12 SS Opn Aux Cvr Asy	246635
TXT12 SS Split Aux Cvr Asy	246635
TXT105 BS SPL Aux Cvr Asy	246613
TXT205 BS SPL Aux Cvr Asy	246614
TXT305 BS SPL Aux Cvr Asy	246615
TXT1 Taconite Aux Seal Kit	272515
TXT105 Taconite Aux Seal Kit	272521
TXT2 Taconite Aux Seal Kit	272446
TXT205 Taconite Aux Seal kit	272459
TXT305A Taconite Aux Seal Kit	253186
TXT3A,3B Taconite Aux Seal Kit	243577

Product	Part #
TXT405A Taconite Aux Seal Kit	254267
TXT4A,4B Taconite Aux Seal Kit	244676
TXT505A Taconite Aux Seal Kit	255230
TXT5B,5C Taconite Aux Seal Kit	245635
TXT6 Taconite Aux Seal	272450
TXT7 Taconite Aux Seal Kit	272451
TXT8 Taconite Aux Seal Kit	272452
TXT9 Taconite Aux Seal Kit	272453
TXT10 Taconite Aux Seal Kit	272454
TXT12 Taconite Aux Seal Kit	272455
TDT13 Taconite Aux Seal Kit	272456
TDT14 Taconite Aux Seal Kit	272457
TDT15 Taconite Aux Seal Kit	272458
3/8 Sight Oil Level Gauge (TXT1-4)	* 430120
1/2 Sight Oil Level Gauge (TXT5-6)	* 430121
3/4 Sight Oil Level Gauge (TXT7-TDT15)	* 430159
C1x1-1/2 3H SS Drive Shaft	351025
C1x2 3H SS Drive Shaft	351026
C2x1-1/2 3H SS Drive Shaft	352186
C2x2 3H SS Drive Shaft	352187
C3Ax2 3H SS Drive Shaft	353181
C3Ax2-7/16 3H SS Drive Shaft	353182
C4Ax2 3H SS Drive Shaft	354352
C4Ax2-7/16 3H SS Drive Shaft	354353
C4Ax3 3H SS Drive Shaft	354354
C5Bx2-7/16 3H SS Drive Shaft	355226
C5Bx3 3H SS Drive Shaft	355227
C6x3 3H SS Drive Shaft	356276
C7x3-7/16 3H SS Drive Shaft	356283
AC1 Adjustable Packing Kit	356301
AC2 Adjustable Packing Kit	356302
AC3 Adjustable Packing Kit	356303
AC4 Adjustable Packing Kit	356304
AC5 Adjustable Packing Kit	356305
AC6/AC7 Adjustable Packing Kit	356306
SCXT1 Taconite Aux Seal Kit	272721
SCXT2 Taconite Aux Seal Kit	272722
SCXT3A,3BTaconite Aux Seal Kit	243582
SCXT4A,4B Taconite Aux Seal Kit	244677
SCXT5B,5C Taconite Aux Seal Kit	245637
SCXT505A Taconite Aux Seal Kit	255148
SCXT6 Taconite Aux Seal Kit	272726
SCXT7 Taconite Aux Seal Kit	272727
TXT/SCXT1 Input Taconite Seal	241102
TXT/SCXT2 Input Taconite Seal	242102
TXT/SCXT3A,3B Input Tac. Seal	243108
TXT/SCXT4A,4B Input Tac. Seal	244117
TXT/SCXT5B,5C Input Tac. Seal	245104
TXT/SCXT6, 605 Input Tac. Seal	246102
TXT/SCXT7, 705 Input Tac. Seal	247102
TXT8, 805 Input Taconite Seal	248102
TXT9, 905 Input Taconite Seal	249102
TXT10 Input Taconite Seal	250102
TXT12 Input Taconite Seal	242102
TXT/SCXT105 Input Taconite Seal	241109
TXT/SCXT205 Input Taconite Seal	242109
TXT/SCXT305A Input Tac. Seal	243109
TXT/SCXT405A Input Tac. Seal	244159
TXT/SCXT505A Input Tac. Seal	245106

* Available as Renewal Parts

FEATURES/BENEFITS PAGE G2-2	SPECIFICATION PAGE G2-9	MODIFICATION/ACCESSORIES PAGE G2-120	RENEWAL PARTS PAGE G2-166
--------------------------------	----------------------------	---	------------------------------



RELATED PRODUCTS

TORQUE-ARM Shaft Mount Speed Reducers

TXT-ABHS Airport Baggage Handling System Reducer For Conveyors

With 60 years of proven dependability and more than 2.0 million units in service throughout the world, DODGE TORQUE-ARM speed reducers are the standard of the industry.

SHAFT MOUNT CONCEPT

Twin-Tapered Mounting to the Driven Shaft

Material Cost Savings

- Eliminates support structures
- Eliminates chain, sprocket or coupling

Installed Cost Savings

- No installation and alignment of chains or coupling
- Simple installation and motor alignment

Compact Flexible Drive Design

- Space Savings
- Reducer mounts 360° around the shaft

Flexibility to Change Output Speed

- Ease of changing V-belt drives
- Economical to change speeds
- Ability to fine tune speeds at a later date

Efficiency

- 98.5% per gear stage

Hollow Bore

- Exclusive Twin-Tapered bushings
- Wide range of bore sizes

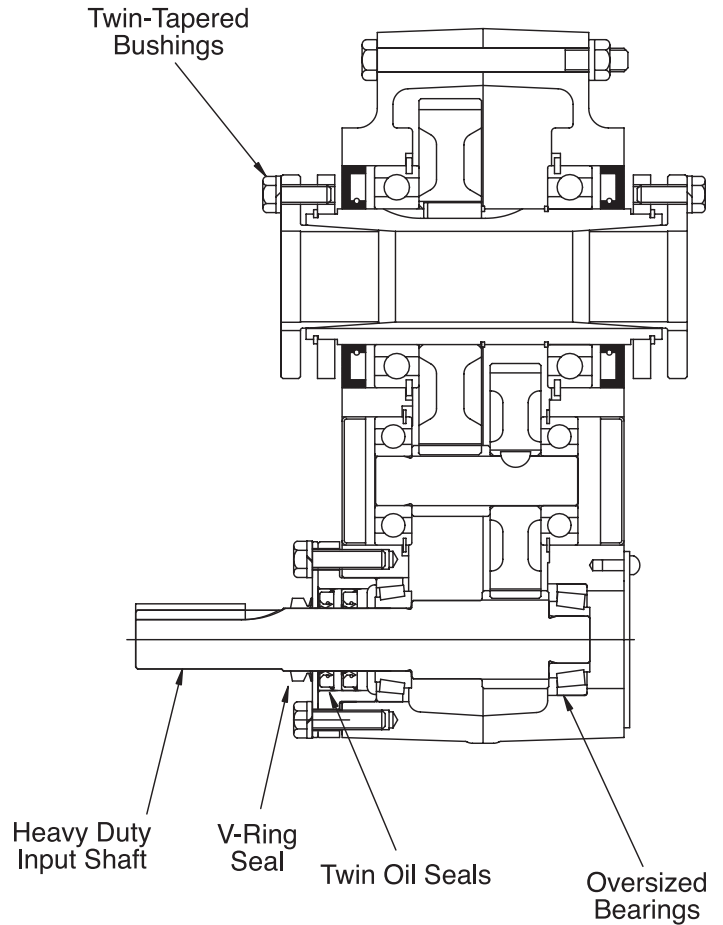
Performance

- Oversized input bearings and shaft for extended duty hours and service
- New premium material oil seals for continuous duty operation
- 100% factory tested and shipped with mobil DTE-BB premium lubrication
- Zinc plated torque arm rods for corrosion resistance
- Thousands of units in operation
- Maintenance Free
- Ease of repair, fewer spares, high parts availability
- Designed with years of industry analysis and research

Interchanges with Standard DODGE TXT Dimensions and Ratios

36/12 Warranty

Meets or Exceeds AGMA Standards

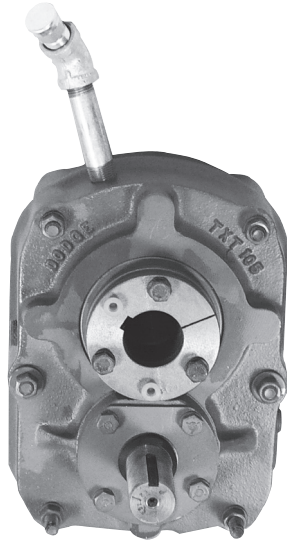


FEATURES/BENEFITS PAGE G2-2	SPECIFICATION PAGE G2-9	MODIFICATION/ACCESSORIES PAGE G2-120	RENEWAL PARTS PAGE G2-166
--------------------------------	----------------------------	---	------------------------------



RELATED PRODUCTS

TORQUE-ARM Shaft Mount Speed Reducers TXT-ABHS Reducers For Airport Baggage Handling System Conveyors



DODGE TORQUE-ARM Speed Reducer. The speed reducer shall be either a belt driven or direct coupled enclosed shaft mount type unit with a single or double reduction ratio. The reducer shall mount directly on the driven shaft and utilize an adjustable TORQUE-ARM that attaches from the gear case to the support structure or foundation.

The reducer housing shall be constructed of two-piece corrosion resistant, gray or ductile iron. All housings shall be doweled and precision machined.

All gearing shall be helical design and crown shaved. All gears shall be case carburized to ensure a high surface durability with a resilient tooth core for greater impact resistance and longer service life. Gears shall be supported between bearings to maintain proper alignment of gear meshes.

Reducer bearings shall be ball or tapered roller type. All seals are premium material for continuous duty operation. Dual seals and V-ring seal on input.

Reducer gears and bearings shall be splash lubricated using a premium lubricant.

Reducer installation shall be accomplished by using ductile iron, fully split Twin Tapered bushings.

Reducer removal shall be accomplished by providing jack screw holes in the busing flanges to mechanically remove the tapered assembly

TXT-ABHS Reducers

Size	Part Number
TXT 125T ABHS Reducer ▲	241153+
TXT 115T ABHS Reducer ▲	241155+
TXT 109T ABHS Reducer ▲	241154+
TXT 105T ABHS Reducer ▲	251120
TXT 225T ABHS Reducer ▲	242258
TXT 215T ABHS Reducer ▲	242257
TXT 209T ABHS Reducer ▲	242259
TXT 205T ABHS Reducer ▲	252120
TXT 325T ABHS Reducer	243251
TXT 315T ABHS Reducer	243252
TXT 309T ABHS Reducer	243253
TXT 305T ABHS Reducer	253199
TXT 425T ABHS Reducer	244251
TXT 415T ABHS Reducer	244252
TXT 409T ABHS Reducer	244253
TXT 405T ABHS Reducer	254199
TXT 525T ABHS Reducer	245251
TXT 515T ABHS Reducer	245252
TXT 509T ABHS Reducer	245253
TXT 505T ABHS Reducer	255199
TXT 1 ABHS TA Assembly ★	241213
TXT 2 ABHS TA Assembly ★	242280
TXT 3 ABHS TA Assembly ★	243254
TXT 4 ABHS TA Assembly ★	244254
TXT 5 ABHS TA Assembly ★	245254

+15/16" diameter input shaft.

▲ Backstops not available.

★ TORQUE-ARM assembly does not come with the TXT ABHS Reducer. It must be ordered separately by the above part number

Taper Bushing Assemblies

Stock Bore	Reducer	Size	Part Number		
1-7/16(Max.)	TXT1 ABHS	TDT1	241292		
1-3/8			241294		
1-5/16 ▲			241290		
1-1/4 ▲			241288		
1-3/16 ▲			241286		
1-1/8 ▲			241282		
1-1/16 ▲			241280		
1 ▲			241278		
1-15/16(Max.)	TXT2 ABHS	TDT2	242168		
1-3/4			242166		
1-11/16			242164		
1-5/8 ▲			242162		
1-1/2 ▲			242158		
1-7/16 ▲			242156		
1-3/8 ▲			242154		
1-5/16			242152		
1-1/4 ▲			242150		
1-3/16 ▲			242148		
1-1/8 ▲	242146				
2-3/16(Max.)	TXT3 ABHS	TDT3	243276		
2			243274		
1-15/16			243272		
1-7/8 ▲			243270		
1-3/4 ▲			243266		
1-11/16 ▲			243268		
1-5/6 ▲			243264		
1-1/2 ▲			243262		
1-7/16 ▲			243260		
1-3/6 ▲			243284		
1-5/16 ▲			243282		
2-7/16(Max.)			TXT4 ABHS	TDT4	244115
2-1/4 ▲	244113				
2-3/16 ▲	244111				
2-1/8 ▲	244109				
2 ▲	244095				
1-15/16 ▲	244093				
1-3/4 ▲	244087				
1-11/16 ▲	244085				
1-1/2 ▲	244081				
1-7/16 ▲	244079				
2-15/16(Max.)	TXT5 ABHS	TDT5			245112
2-11/16					245110
2-7/16 ▲					245094
2-1/4 ▲					245092
2-3/16 ▲			245090		
2 ▲			245088		
1-15/16 ▲			245086		

▲ Check driven shaft and key for strength.

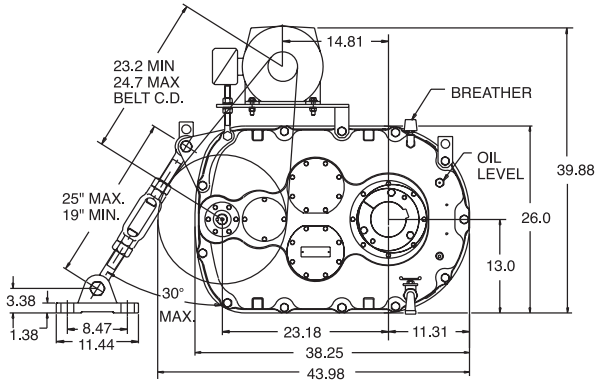
FEATURES/BENEFITS PAGE G2-2	SPECIFICATION PAGE G2-9	MODIFICATION/ACCESSORIES PAGE G2-120	RENEWAL PARTS PAGE G2-166
--------------------------------	----------------------------	---	------------------------------



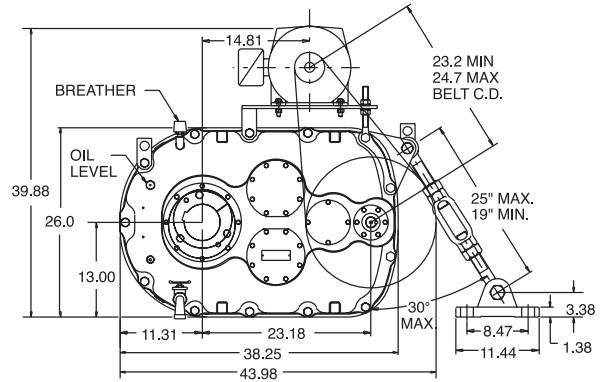
RELATED PRODUCTS

TORQUE-ARM Shaft Mount Speed Reducers

Dodge Biological Contact Drive (BIO-DISC)
Industrial Drive For Wastewater Treatment Industry



#188D L.H. BIO-DISC ASSY



#188D R.H. BIO-DISC ASSY

Product Specification

The speed reducer shall be either a belt driven or direct coupled enclosed shaft mount type unit with a triple reduction ratio of 170.44:1. The reducer shall mount directly on the driven shaft and utilize an adjustable TORQUE-ARM that attaches to the support structure or foundation.

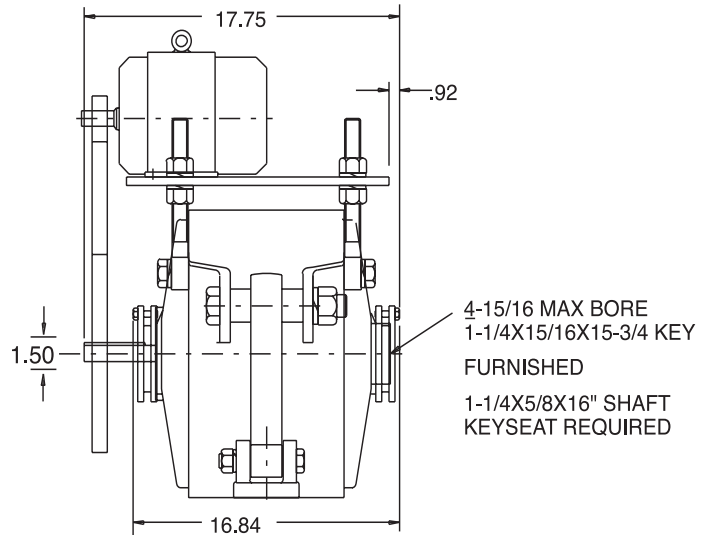
The reducer housing shall be constructed of two-piece corrosion resistant, gray iron and be ribbed for added strength. All housings shall be doweled and precision machined to assure accurate alignment for all gear sets. The reducer housing shall be painted with primer plus two (2) coats of epoxy ester enamel to minimize corrosion.

All gearing shall be of helical or spur design, and crown shaved to provide an elliptoid tooth to eliminate tooth end bearing and assure meshing at the strongest tooth area. All gears shall be case carburized to ensure a high surface durability with a resilient tooth core for greater impact resistance and long service life. Gears shall be supported between bearings to maintain proper alignment on gear meshes, to maximize load carrying capabilities, and eliminate overhung loads imposed on bearings. The gears shall be rated for 7-1/2 horsepower at 1.5 RPM - Class I service and 5 horsepower at 1.5 RPM - Class II Service. Reducer bearings shall be of the straight or tapered roller type and provide a 5,000 hour minimum L-10 life at the 7-1/2 HP Class I rating.

All seals shall be of the lip, spring loaded type, made of nitrile rubber.

Reducer gears and bearings shall be splash lubricated using a quality petroleum base oil, containing anti-foamants and rust inhibitors.

Reducer installation shall be accomplished by using ductile iron, fully split twin-tapered bushings. The maximum and preferred bore shall be 4-15/16 inch. Reducer removal shall be accomplished by providing jack screw holes in the bushing flanges to mechanically remove the tapered assembly.



DODGE 188D BIO-DISC DRIVE PRODUCTS

PRODUCT DESCRIPTION	PART NO.	WEIGHT LBS.
188D BIO DISC REDUCER LH ASSEMBLY	259166 *	1392.0
188D BIO DISC REDUCER RH ASSEMBLY	259164 *	1392.0
188D BIO DISC REDUCER REPLACEMENT BUSHING ASSY	021832	20.8
BIO DISC REDUCER V-DRIVE KIT	BIO DR KIT **	50.0
188D LH BELT GUARD ASSEMBLY	259023	125.0
188D RH BELT GUARD ASSEMBLY	259024	125.0
188D UNIVERSAL BELT GUARD	963763	125.0

* Consists of Reducer, Tapered Bushing Assembly and Motor Mount.

** Consists of 3/3V4.12/3V19.0/3VX850 V-drive with Taper Lock Bushings

FEATURES/BENEFITS PAGE G2-2	SPECIFICATION PAGE G2-9	MODIFICATION/ACCESSORIES PAGE G2-120	RENEWAL PARTS PAGE G2-166
--------------------------------	----------------------------	---	------------------------------



RELATED PRODUCTS

TORQUE-ARM Shaft Mount Speed Reducers

Dodge V-Belt Drives For TORQUE-ARM Reducers And Screw Conveyor Drive Reducers

These are typical drives for average service conditions. For other conditions, output speeds or motor speeds, see reducer specifications for minimum driven sheave diameter and use V-belt drive selection tables.

For adequate horsepower, 3v, 5v, and 8v sheaves require 3VX, 5VX and 8VX belts; and A, B, C and D sheaves require AX, BX, CX and DX belts.

Keep driven sheave as close to reducer housing as possible.

The belt drive may be located in any convenient position. If the torque-arm is to be used to tighten the belts, the drive should be at about 90° to a line between the input and output shafts.

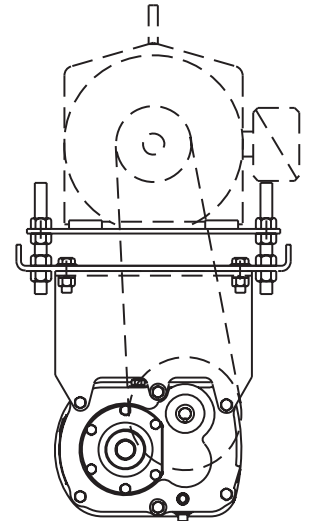
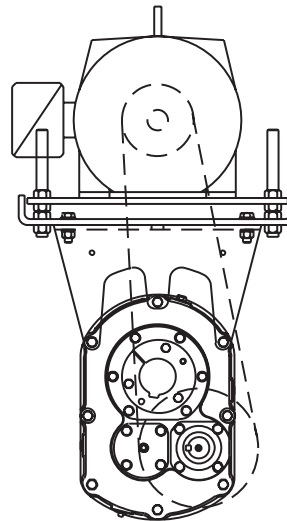
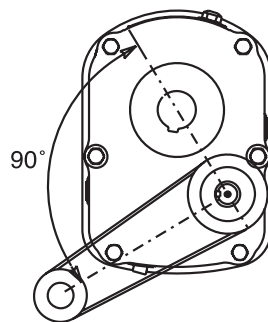
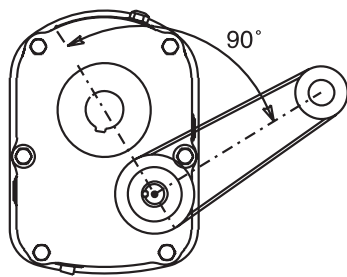


Table 19 - NEMA Motor Information (1750 RPM)

Horsepower	NEMA Motor Frame	Shaft Diameter	Minimum Sheave Diameters
1	143T	7/8	2.20
1-1/2	145T	7/8	2.40
2	145T	7/8	2.40
3	182T	1-1/8	2.40
5	184T	1-1/8	3.00
7-1/2	213T	1-3/8	3.00
10	215T	1-3/8	3.80
15	254T	1-5/8	4.40
20	256T	1-5/8	4.40
25	284T	1-7/8	4.40
30	286T	1-7/8	5.20
40	324T	2-1/8	6.00
50	326T	2-1/8	6.80
60	364T	2-3/8	7.40
75	365T	2-3/8	8.60
100	+405T	2-7/8	8.60
125	+444T	3-3/8	10.50
150	+445T	3-3/8	10.50
200	+447T	3-3/8	13.20

+ Energy Efficient (TEFC-XE) Frame

Table 20 - Minimum Sheave Diameters For Dodge TORQUE-ARM Reducers

TXT, SCXT Reducer	Single Reduction		Double Reduction			
	Shaft Diameter	5:1	Shaft Diameter	9:1	15:1	25:1
1	1-1/8	4.00	3/4	4.0	3.0	3.0
2	1-7/16	3.00	1-1/8	5.0	3.0	3.0
3	1-5/8	7.00	1-1/4	5.0	4.0	4.0
4	1-15/16	7.50	1-7/16	6.5	4.6	4.6
5	2-3/16	9.50	1-15/16	7.0	5.4	5.4
6	2-3/16	6.50	2-3/16	7.0	6.2	6.2
7	2-7/16	7.50	2-7/16	7.0	6.2	6.2
8	2-7/16	9.20	2-7/16		6.2	6.2
9	2-7/16	9.50	2-7/16		8.0	8.0
10			2-11/16		8.5	8.5
12			2-11/16		9.5	9.5
13			2-15/16			12.0
14			2-15/16			15.0
15			3-7/16			20.0

FEATURES/BENEFITS PAGE G2-2	SPECIFICATION PAGE G2-9	MODIFICATION/ACCESSORIES PAGE G2-120	RENEWAL PARTS PAGE G2-166
--------------------------------	----------------------------	---	------------------------------



RELATED PRODUCTS

TORQUE-ARM Shaft Mount Speed Reducers

Table 21 - Nominal Sheave Ratios Required For Dodge TORQUE-ARM Reducers

Reducer Output RPM	5:1 Nominal Reducer			Reducer Output RPM	9:1 Nominal Reducer			Reducer Output RPM	15:1 Nominal Reducer			Reducer Output RPM	25:1 Nominal Reducer		
	Ratio Motor Speed				Ratio Motor Speed				Ratio Motor Speed				Ratio Motor Speed		
	1750	1450	1170		1750	1450	1170		1750	1450	1170		1750	1450	1170
400.00	1.14	1.38	1.71	200.00	1.03	1.24	1.54	120.00	1.03	1.24	1.54	76.00	1.09	1.31	1.62
395.00	1.13	1.36	1.69	198.00	1.02	1.23	1.52	118.00	1.01	1.22	1.51	74.00	1.06	1.28	1.58
390.00	1.11	1.34	1.67	196.00	1.01	1.22	1.51	116.00	1.01	1.20	1.49	72.00	1.03	1.24	1.54
385.00	1.10	1.33	1.65	194.00	1.00	1.20	1.49	114.00	1.02	1.18	1.46	70.00	1.00	1.21	1.50
380.00	1.09	1.31	1.62	192.00	1.01	1.19	1.48	112.00	1.04	1.16	1.44	68.00	1.03	1.17	1.45
375.00	1.07	1.29	1.60	190.00	1.02	1.18	1.46	110.00	1.06	1.14	1.41	66.00	1.06	1.14	1.41
370.00	1.06	1.28	1.58	188.00	1.03	1.17	1.45	108.00	1.08	1.12	1.38	64.00	1.09	1.10	1.37
365.00	1.04	1.26	1.56	186.00	1.05	1.15	1.43	106.00	1.10	1.10	1.36	62.00	1.13	1.07	1.32
360.00	1.03	1.24	1.54	184.00	1.06	1.14	1.42	104.00	1.12	1.08	1.33	60.00	1.17	1.03	1.28
355.00	1.01	1.22	1.52	182.00	1.07	1.13	1.40	102.00	1.14	1.06	1.31	58.00	1.21	1.00	1.24
350.00	1.00	1.21	1.50	180.00	1.08	1.12	1.38	100.00	1.17	1.03	1.28	56.00	1.25	1.04	1.20
345.00	1.01	1.19	1.47	178.00	1.09	1.10	1.37	98.00	1.19	1.01	1.26	54.00	1.30	1.07	1.15
340.00	1.03	1.17	1.45	176.00	1.10	1.09	1.35	96.00	1.22	1.01	1.23	52.00	1.35	1.12	1.11
335.00	1.04	1.16	1.43	174.00	1.12	1.08	1.34	94.00	1.24	1.03	1.21	50.00	1.40	1.16	1.07
330.00	1.06	1.14	1.41	172.00	1.13	1.07	1.32	92.00	1.27	1.05	1.18	48.00	1.46	1.21	1.03
325.00	1.08	1.12	1.39	170.00	1.14	1.06	1.31	90.00	1.30	1.07	1.15	46.00	1.52	1.26	1.02
320.00	1.09	1.10	1.37	168.00	1.16	1.04	1.29	88.00	1.33	1.10	1.13	44.00	1.59	1.32	1.06
315.00	1.11	1.09	1.35	166.00	1.17	1.03	1.28	86.00	1.36	1.12	1.10	42.00	1.67	1.38	1.11
310.00	1.13	1.07	1.32	164.00	1.19	1.02	1.26	84.00	1.39	1.15	1.08	40.00	1.75	1.45	1.17
305.00	1.15	1.05	1.30	162.00	1.20	1.01	1.25	82.00	1.42	1.18	1.05	38.00	1.84	1.53	1.23
300.00	1.17	1.03	1.28	160.00	1.22	1.01	1.23	80.00	1.46	1.21	1.03	36.00	1.94	1.61	1.30
295.00	1.19	1.02	1.26	158.00	1.23	1.02	1.22	78.00	1.50	1.24	1.00	34.00	2.06	1.71	1.38
290.00	1.21	1.00	1.24	156.00	1.25	1.03	1.20	76.00	1.54	1.27	1.03	32.00	2.19	1.81	1.46
285.00	1.23	1.02	1.22	154.00	1.26	1.05	1.18	74.00	1.58	1.31	1.05	30.00	2.33	1.93	1.56
280.00	1.25	1.04	1.20	152.00	1.28	1.06	1.17	72.00	1.62	1.34	1.08	28.00	2.50	2.07	1.67
275.00	1.27	1.05	1.18	150.00	1.30	1.07	1.15	70.00	1.67	1.38	1.11	26.00	2.69	2.23	1.80
270.00	1.30	1.07	1.15	148.00	1.31	1.09	1.14	68.00	1.72	1.42	1.15	24.00	2.92	2.42	1.95
265.00	1.32	1.09	1.13	146.00	1.33	1.10	1.12	66.00	1.77	1.46	1.18	22.00	3.18	2.64	2.13
260.00	1.35	1.12	1.11	144.00	1.35	1.12	1.11	64.00	1.82	1.51	1.22	20.00	3.50	2.90	2.34
255.00	1.37	1.14	1.09	142.00	1.37	1.13	1.09	62.00	1.88	1.56	1.26	18.00	3.89	3.22	2.60
250.00	1.40	1.16	1.07	140.00	1.39	1.15	1.08	60.00	1.94	1.61	1.30	16.00	4.38	3.63	2.93
245.00	1.43	1.18	1.05	138.00	1.41	1.17	1.06	58.00	2.01	1.67	1.34	14.00	5.00	4.14	3.34
240.00	1.46	1.21	1.03	136.00	1.43	1.18	1.05	56.00	2.08	1.73	1.39	12.00	5.83	4.83	3.90
235.00	1.49	1.23	1.00	134.00	1.45	1.20	1.03	54.00	2.16	1.79	1.44	10.00	7.00	5.80	4.68
230.00	1.52	1.26	1.02	132.00	1.47	1.22	1.02	52.00	2.24	1.86	1.50	8.00	8.75	7.25	5.85
225.00	1.56	1.29	1.04	130.00	1.50	1.24	1.00	50.00	2.33	1.93	1.56	6.00	11.67	9.67	7.80
220.00	1.59	1.32	1.06	128.00	1.52	1.26	1.02	48.00	2.43	2.01	1.63				
215.00	1.63	1.35	1.09	126.00	1.54	1.28	1.03	46.00	2.54	2.10	1.70				
210.00	1.67	1.38	1.11	124.00	1.57	1.30	1.05	44.00	2.65	2.20	1.77				
205.00	1.71	1.41	1.14	122.00	1.59	1.32	1.07	42.00	2.78	2.30	1.86				
200.00	1.75	1.45	1.17	120.00	1.62	1.34	1.08	40.00	2.92	2.42	1.95				

Speed Increase Ratios are shown in bold type



RELATED PRODUCTS

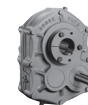
TORQUE-ARM Shaft Mount Speed Reducers

Table 21 - Nominal Sheave Ratios Required For Dodge TORQUE-ARM Reducers (Continued)

Reducer Output RPM	5:1 Nominal Reducer			Reducer Output RPM	9:1 Nominal Reducer			Reducer Output RPM	15:1 Nominal Reducer			Reducer Output RPM	25:1 Nominal Reducer		
	Ratio Motor Speed				Ratio Motor Speed				Ratio Motor Speed				Ratio Motor Speed		
	1750	1450	1170		1750	1450	1170		1750	1450	1170		1750	1450	1170
195.00	1.79	1.49	1.20	118.00	1.65	1.37	1.10	38.00	3.07	2.54	2.05				
190.00	1.84	1.53	1.23	116.00	1.68	1.39	1.12	36.00	3.24	2.69	2.17				
185.00	1.89	1.57	1.26	114.00	1.71	1.41	1.14	34.00	3.43	2.84	2.29				
180.00	1.94	1.61	1.30	112.00	1.74	1.44	1.16	32.00	3.65	3.02	2.44				
175.00	2.00	1.66	1.34	110.00	1.77	1.46	1.18	30.00	3.89	3.22	2.60				
170.00	2.06	1.71	1.38	108.00	1.80	1.49	1.20	28.00	4.17	3.45	2.79				
165.00	2.12	1.76	1.42	106.00	1.83	1.52	1.23	26.00	4.49	3.72	3.00				
160.00	2.19	1.81	1.46	104.00	1.87	1.55	1.25	24.00	4.86	4.03	3.25				
155.00	2.26	1.87	1.51	102.00	1.91	1.58	1.27	22.00	5.30	4.39	3.55				
150.00	2.33	1.93	1.56	100.00	1.94	1.61	1.30	20.00	5.83	4.83	3.90				
145.00	2.41	2.00	1.61					18.00	6.48	5.37	4.33				
140.00	2.50	2.07	1.67					16.00	7.29	6.04	4.88				
135.00	2.59	2.15	1.73					14.00	8.33	6.90	5.57				
130.00	2.69	2.23	1.80					12.00	9.72	8.06	6.50				
125.00	2.80	2.32	1.87					10.00	11.67	9.67	7.80				
120.00	2.92	2.42	1.95												
115.00	3.04	2.52	2.03												
110.00	3.18	2.64	2.13												
105.00	3.33	2.76	2.23												
100.00	3.50	2.90	2.34												

Speed Increase Ratios are shown in bold type

FEATURES/BENEFITS PAGE G2-2	SPECIFICATION PAGE G2-9	MODIFICATION/ACCESSORIES PAGE G2-120	RENEWAL PARTS PAGE G2-166
--------------------------------	----------------------------	---	------------------------------



RELATED PRODUCTS

TORQUE-ARM Shaft Mount Speed Reducers

Table 22 - Nominal Sheave Speed (RPM) At Input For Dodge Reducers 1750 RPM Motor

Reducer Output RPM	5:1 Nominal Reducer Ratio	Reducer Output RPM	9:1 Nominal Reducer Ratio	Reducer Output RPM	15:1 Nominal Reducer Ratio	Reducer Output RPM	25:1 Nominal Reducer Ratio
400.00	2000	200.00	1800	120.00	1800	76.00	1900
395.00	1975	198.00	1782	118.00	1770	74.00	1850
390.00	1950	196.00	1764	116.00	1740	72.00	1800
385.00	1925	194.00	1746	114.00	1710	70.00	1750
380.00	1900	192.00	1728	112.00	1680	68.00	1700
375.00	1875	190.00	1710	110.00	1650	66.00	1650
370.00	1850	188.00	1692	108.00	1620	64.00	1600
365.00	1825	186.00	1674	106.00	1590	62.00	1550
360.00	1800	184.00	1656	104.00	1560	60.00	1500
355.00	1775	182.00	1638	102.00	1530	58.00	1450
350.00	1750	180.00	1620	100.00	1500	56.00	1400
345.00	1725	178.00	1602	98.00	1470	54.00	1350
340.00	1700	176.00	1584	96.00	1440	52.00	1300
335.00	1675	174.00	1566	94.00	1410	50.00	1250
330.00	1650	172.00	1548	92.00	1380	48.00	1200
325.00	1625	170.00	1530	90.00	1350	46.00	1150
320.00	1600	168.00	1512	88.00	1320	44.00	1100
315.00	1575	166.00	1494	86.00	1290	42.00	1050
310.00	1550	164.00	1476	84.00	1260	40.00	1000
305.00	1525	162.00	1458	82.00	1230	38.00	950
300.00	1500	160.00	1440	80.00	1200	36.00	900
295.00	1475	158.00	1422	78.00	1170	34.00	850
290.00	1450	156.00	1404	76.00	1140	32.00	800
285.00	1425	154.00	1386	74.00	1110	30.00	750
280.00	1400	152.00	1368	72.00	1080	28.00	700
275.00	1375	150.00	1350	70.00	1050	26.00	650
270.00	1350	148.00	1332	68.00	1020	24.00	600
265.00	1325	146.00	1314	66.00	990	22.00	550
260.00	1300	144.00	1296	64.00	960	20.00	500
255.00	1275	142.00	1278	62.00	930	18.00	450
250.00	1250	140.00	1260	60.00	900	16.00	400
245.00	1225	138.00	1242	58.00	870	14.00	350
240.00	1200	136.00	1224	56.00	840	12.00	300
235.00	1175	134.00	1206	54.00	810	10.00	250
230.00	1150	132.00	1188	52.00	780	8.00	200
225.00	1125	130.00	1170	50.00	750	6.00	150
220.00	1100	128.00	1152	48.00	720		
215.00	1075	126.00	1134	46.00	690		
210.00	1050	124.00	1116	44.00	660		
205.00	1025	122.00	1098	42.00	630		
200.00	1000	120.00	1080	40.00	600		



RELATED PRODUCTS

TORQUE-ARM Shaft Mount Speed Reducers

Table 22 - Nominal Sheave Speed (RPM) At Input For Dodge Reducers 1750 RPM Motor

Reducer Output RPM	5:1 Nominal Reducer Ratio	Reducer Output RPM	9:1 Nominal Reducer Ratio	Reducer Output RPM	15:1 Nominal Reducer Ratio	Reducer Output RPM	25:1 Nominal Reducer Ratio
195.00	975	118.00	1062	38.00	570		
190.00	950	116.00	1044	36.00	540		
185.00	925	114.00	1026	34.00	510		
180.00	900	112.00	1008	32.00	480		
175.00	875	110.00	990	30.00	450		
170.00	850	108.00	972	28.00	420		
165.00	825	106.00	954	26.00	390		
160.00	800	104.00	936	24.00	360		
155.00	775	102.00	918	22.00	330		
150.00	750	100.00	900	20.00	300		
145.00	725			18.00	270		
140.00	700			16.00	240		
135.00	675			14.00	210		
130.00	650			12.00	180		
125.00	625			10.00	150		
120.00	600						
115.00	575						
110.00	550						
105.00	525						
100.00	500						

FEATURES/BENEFITS PAGE G2-2	SPECIFICATION PAGE G2-9	MODIFICATION/ACCESSORIES PAGE G2-120	RENEWAL PARTS PAGE G2-166
--------------------------------	----------------------------	---	------------------------------



RELATED PRODUCTS

TORQUE-ARM Shaft Mount Speed Reducers

Dodge TORQUE-ARM Protection Plan

Pre-Packaged Rebuild Kits for TXT, SCXT & TORQUE-ARM II Reducers

DODGE TORQUE-ARM reducers are designed to achieve optimum service life from all components. Wear does occur over the service life of a reducer, particularly to bearings and seals. To rebuild DODGE TORQUE-ARM reducers to factory tolerances and specifications, use only genuine DODGE replacement parts.

Preventive actions such as scheduled maintenance and on-site inventory of TORQUE-ARM Level 1 or Level 2 Rebuild Kits are recommended to minimize the cost of down time. Having replacement parts available before they are needed contributes to a quick return of the machine to productivity.

Unexpected machine downtime usually means loss of productivity. Consider:

- Time to diagnose and order replacement parts
- Time waiting for parts to arrive

Each Rebuild Kit is assigned a unique part number based on reducer size and ratio making selection easy. Kits components are packaged individually and marked for easy identification. Individual components are then over packed and shipped in one clearly marked container that can be dedicated to a specific reducer.

DODGE Rebuild Kits offer protection and economy. Pricing is structured to offer savings over the purchase of individual components.

Level 1 Kit Includes:

- Input & output Seals
- Complete set of bearings
- Shim kit
- Gearcase sealant
- Instruction manual

Level 2 Kit Includes:

- 1st stage input shaft with pinion
- 1st stage mating gear
- Input & output seals
- Complete set of bearings
- Shim kit
- Gearcase sealant
- Instruction manual

Log on to ptplace.com to locate your nearest authorized Key Parts Distributor

Rebuild Kit Accessories Available for Order (not included in kit)



Lubricant:

It is important that a rebuilt reducer be refilled with fresh lubricant of the proper viscosity group.

To make this an easy selection we have prepackaged the required volume of factory standard lubricant which may be ordered along with the rebuild kit. See Accessory table for kit part numbers.



Paint – Touch Up

To restore damaged paint following the rebuild you may order Dodge part number 810001 on PTPlace. This is a 12 oz aerosol spray can of factory original Reliance blue-green paint.

FEATURES/BENEFITS PAGE G2-2	SPECIFICATION PAGE G2-9	MODIFICATION/ACCESSORIES PAGE G2-120	RENEWAL PARTS PAGE G2-166
--------------------------------	----------------------------	---	------------------------------



RELATED PRODUCTS

TORQUE-ARM Shaft Mount Speed Reducers Dodge TDT-TX-SCX TORQUE-ARM Rebuild Kits

Level 1 Kit includes input and output seals, set of bearings, shim kit, sealant and instruction manual. Kit provides protection against down time due to fatigue of high wear components.

Level 2 Kit includes all items in Level 1 along with input pinion and 1st stage gear. Level 2 kit provides maximum protection against down time.

Rebuild kits available for all current sizes as listed below. For older, obsolete sizes not listed it is recommended that seal kit, bearing kit and shim kit be ordered for Level 1 coverage. Add input pinion and gear for Level 2 protection.

TXT-TDT Rebuild Kits			
Size	Size/Ratio	Level 1	Level 2
TXT1	TXT109	392270	392271
	TXT115		392272
	TXT125		392273
TXT1A	TXT109A	392270	392271
	TXT115A		392272
	TXT125A		392273
TXT2	TXT209	392274	392275
	TXT215		392276
	TXT225		392277
TXT2A	TXT209A	392274	392275
	TXT215A		392276
	TXT225A		392277
TXT3A	TXT309A	392278	392279
	TXT315A		392280
	TXT325A		392281
TXT3B	TXT309B	392278	392279
	TXT315B		392280
	TXT325B		392281
TXT4A	TXT409A	392282	392283
	TXT415A		392284
	TXT425A		392285
TXT4B	TXT409B	392282	392283
	TXT415B		392284
	TXT425B		392285
TXT5B	TXT509B	392287	392288
	TXT515B		392289
	TXT525B		392290
TXT5C	TXT509C	392287	392288
	TXT515C		392289
	TXT525C		392290

TXT-TDT Rebuild Kits (Continued)			
Size	Size/Ratio	Level 1	Level 2
TXT-TDT6	TXT609	392291	392292
	TXT615		392293
	TXT625		392294
TXT6A	TXT609A	392291	392292
	TXT615A		392293
	TXT625A		392294
TXT-TDT7	TXT709	392295	392296
	TXT715		392297
	TXT725		392298
TXT7A	TXT709A	392295	392296
	TXT715A		392297
	TXT725A		392298
TXT-TDT8	TXT815	392299	392300
	TXT825		392301
TXT8A	TXT815A	392299	392300
	TXT825A		392301
TXT-TDT9	TXT915	392302	392303
	TXT926		392304
TXT9A	TXT915A	392302	392303
	TXT926A		392304
TXT-TDT10	TXT1015	392305	392306
	TXT1024		392307
TXT10A	TXT1015A	392305	392306
	TXT1024A		392307
TXT-TDT12	TXT1215	392308	392309
	TXT1225		392310
TDT13	TDT1325	392311	392312
TDT14	TDT1425	392313	392314
TDT15	TDT1530	392315	392316

FEATURES/BENEFITS PAGE G2-2	SPECIFICATION PAGE G2-9	MODIFICATION/ACCESSORIES PAGE G2-120	RENEWAL PARTS PAGE G2-166
--------------------------------	----------------------------	---	------------------------------



RELATED PRODUCTS

TORQUE-ARM Shaft Mount Speed Reducers (Continued)

Dodge TDT-TX-SCX TORQUE-ARM Rebuild Kits

SCXT Rebuild Kits

Size	Size/Ratio	Level 1	Level 2
SCXT1	SCXT109	392395	392398
	SCXT115		392399
	SCXT125		392400
SCXT1A	SCXT109A	392395	392398
	SCXT115A		392399
	SCXT125A		392400
SCXT2	SCXT209	392396	392401
	SCXT215		392402
	SCXT225		392403
SCXT2A	SCXT209A	392396	392401
	SCXT215A		392402
	SCXT225A		392403
SCXT3A	SCXT309A	392278	392279
	SCXT315A		392280
	SCXT325A		392281
SCXT3B	SCXT309B	392278	392279
	SCXT315B		392280
	SCXT325B		392281
SCXT4A	SCXT409A	392282	392283
	SCXT415A		392284
	SCXT425A		392285
SCXT4B	SCXT409B	392282	392283
	SCXT415B		392284
	SCXT425B		392285
SCXT5B	SCXT509B	392287	392288
	SCXT515B		392289
	SCXT525B		392290
SCXT5C	SCXT509C	392287	392288
	SCXT515C		392289
	SCST525C		392290
SCXT6	SCXT609	392291	392292
	SCXT615		392293
	SCXT625		392294
SCXT6A	SCXT609A	392291	392292
	SCXT615A		392293
	SCXT625A		392294

SCXT Rebuild Kits

Size	Size/Ratio	Level 1	Level 2
SCXT7	SCXT709	392295	392296
	SCXT715		392297
	SCXT725		392298
SCXT7A	SCXT709A	392295	392296
	SCXT715A		392297
	SCXT725A		392298
SCXT8	SCXT815	392397	392404
	SCXT825		392405
SCXT8A	SCXT815A	392397	392404
	SCXT825A		392405

TXT - SCXT 5:1

TXT Rebuild Kits 5:1 Ratio

Size	Level 1
TXT105	392379
TXT205	392380
TXT305A	392381
TXT405A	392382
TXT505A	392383
TXT605	392384
TXT705	392385
TXT805	392386
TXT905	392387

SCXT Rebuild Kits 5:1 Ratio

Size	Level 1
SCXT105	392388
SCXT205	392389
SCXT305A	392390
SCXT405A	392391
SCXT505A	392392
SCXT605	392393
SCXT705	392394



ENGINEERING/TECHNICAL

TORQUE-ARM Shaft Mount Speed Reducers

Lubrication Of TORQUE-ARM Reducers

CAUTION: Unit is shipped without oil. Add proper amount of rust and oxidation inhibited (R & O) gear oil before operating. Failure to observe these precautions could result in damage to, or destruction of, the equipment.

Lubrication is extremely important for satisfactory operation. The proper oil level as shown in Table 25, page G2-173, must be maintained at all times. Frequent inspections with the unit not running and allowing sufficient time for the oil to cool and the entrapped air to settle out of the oil should be made by removing the level plug to see that the level is being maintained. If low, add the proper type and viscosity of lubricant through one of the upper openings until it comes out of the oil level hole. Replace the oil level plug securely. Refer to Tables 23 and 24 for viscosity recommendations.

After an initial operation of about two weeks, the oil should be changed. If desired, this oil may be filtered and reused. Very often, small metal particles will show up in the oil due to the wearing process. After the initial break in period, the lubricant should be drained, magnetic drain plug cleaned, gear case flushed and refilled every 2500 hours of operation under average industrial conditions.

CAUTION: Too much oil will cause overheating and too little will result in gear failure. Check oil level regularly.

More frequent oil changes are recommended when operating continuously or at high temperatures or under conditions of extreme dirt or dust. Use only recommended lubricants listed

on next page, or equivalent. Special attention should be given to checking of lubricants when any of the following conditions exist:

1. High operating temperatures resulting from heavy intermittent loads causes the temperature of the gear case to rise rapidly and then cool.
2. Unusual ambient conditions, which may tend to cause condensation on the inside of the gearcase thereby contaminating the oil.
3. Operating temperatures that would cause oil to approach 200°F continually.
4. Subjection of reducer to unusual vapors or moist atmosphere.
5. Subjection of reducer to extremely dusty or dirty environment.

Under these extreme operating conditions, the oil should be changed every 1 to 3 months depending on severity of conditions.

Operating Temperatures

Heating is a natural characteristic of enclosed gearing, and a maximum gear case temperature approaching 200°F is not uncommon for some units operating in normal ambient temperatures (80°F). When operating at rated capacity, no damage will result from this temperature as this was taken into consideration in the design of the gear case and in the selection of the lubricants.

FEATURES/BENEFITS PAGE G2-2	SPECIFICATION PAGE G2-9	MODIFICATION/ACCESSORIES PAGE G2-120	RENEWAL PARTS PAGE G2-166
--------------------------------	----------------------------	---	------------------------------



ENGINEERING/TECHNICAL

TORQUE-ARM Shaft Mount Speed Reducers

Lubrication Of TORQUE-ARM Reducers (Continued)

Table 23: Lubrication Recommendations - ISO Grades

For Ambient Temperatures Of 50°F Thru 125°F ✧

Output	TXT, SCXT, HXT Reducers														
RPM	1	2	3	4	5	6	7	8	9	10	12	13	14	15	
301-400	320	320	220	220	220	220	220	220	220	220	220	220	220	220	
201-300	320	320	220	220	220	220	220	220	220	220	220	220	220	220	
151-200	320	320	220	220	220	220	220	220	220	220	220	220	220	220	
126-150	320	320	320	220	220	220	220	220	220	220	220	220	220	220	
101-125	320	320	320	320	220	220	220	220	220	220	220	220	220	220	
81-100	320	320	320	320	320	220	220	220	220	220	220	220	220	220	
41-80	320	320	320	320	320	220	220	220	220	220	220	220	220	220	
11-40	320	320	320	320	320	320	320	320	320	320	220	220	220	220	
1-10	320	320	320	320	320	320	320	320	320	320	320	320	320	320	

Table 24: Lubrication Recommendations - ISO Grades

For Ambient Temperatures Of 15°F Thru 60°F ✧

Output	TXT, SCXT, HXT Reducers														
RPM	1	2	3	4	5	6	7	8	9	10	12	13	14	15	
301-400	220	220	150	150	150	150	150	150	150	150	150	150	150	150	
201-300	220	220	150	150	150	150	150	150	150	150	150	150	150	150	
151-200	220	220	150	150	150	150	150	150	150	150	150	150	150	150	
126-150	220	220	220	150	150	150	150	150	150	150	150	150	150	150	
101-125	220	220	220	220	150	150	150	150	150	150	150	150	150	150	
81-100	220	220	220	220	220	150	150	150	150	150	150	150	150	150	
41-80	220	220	220	220	220	150	150	150	150	150	150	150	150	150	
11-40	220	220	220	220	220	220	220	220	220	220	150	150	150	150	
1-10	220	220	220	220	220	220	220	220	220	220	220	220	220	220	

Lubricant Grade Equivalents

ISO	AGMA
150	4
220	5
320	6

NOTE: Mobil SHC 600 Series oil is recommended for high ambient temperatures

✧ NOTES:

- Assumes auxiliary cooling where recommended in the catalog.
- Pour point of lubricant selected should be at least 10°F. lower than expected minimum ambient starting temperature.
- Extreme pressure (EP) lubricants are not necessary for average operating conditions. TORQUE-ARM internal backstops are not suitable for use with EP lubricants.
- Special lubricants may be required for food and drug industry applications where contact with the product being manufactured may occur. Consult a lubrication manufacturer's representative for his recommendations.
- Do not use oils containing additives such as graphite or molybdenum disulfide in the reducer when a backstop is used. These additives will destroy sprag action.
- For reducers operating in ambient temperatures between -22°F (-30°C) and 20°F (-6.6°C) use a synthetic hydrocarbon lubricant, 100 ISO grade or AGMA 35 grade (for example - Mobil SHC627). Above 125°F (51°C), consult DODGE Gear Application Engineering (864) 284-5700 for lubrication recommendation.



ENGINEERING/TECHNICAL

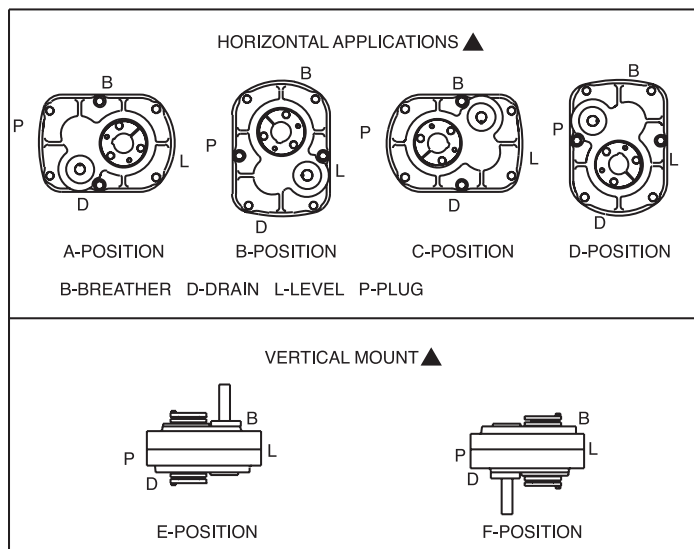
TORQUE-ARM Shaft Mount Speed Reducers

Lubrication Of TORQUE-ARM Reducers (Continued)

Horizontal Installations - Install the magnetic drain plug in the hole closest to the bottom of the reducer. Throw away the tape that covers the filler/ventilation plug in shipment and install plug in topmost hole. Of the remaining plugs on the sides of the reducer, the lowest one is the minimum oil level plug. Vertical installations-Install the filler/ventilation plug in the hole provided in the top face of the reducer housing. Use the hole in the bottom face for the magnetic drain plug. Of the remaining holes on the sides of the reducer, use a plug in the upper housing half for the minimum oil level plug.

The running position of the reducer in a horizontal application is not limited to the four positions shown below. However, if running position is over 20° either way from sketches, the oil level plug cannot be safely used to check the oil level, unless during the checking the torque arm is disconnected and the reducer is swung to within 20° in position B or D, or 5° in position A and C shown below. Because of the many possible positions of the reducer, it may be necessary or desirable to make special adaptations using the lubrication fitting holes furnished along with other standard pipe fittings, stand pipes and oil level gauges as required.

Mounting Positions



▲ **Note:** Below 15 RPM output speed, oil level must be adjusted to reach the highest oil level plug (P)

Vertical Installations - Install the filter/ventilation plug in the hole provided in the top face of the reducer housing. Use the hole in the bottom face for the magnetic drain plug. Of the remaining holes on the sides of the reducer, use a plug in the upper housing half for the minimum oil level plug.

Table 25 - Approx. Oil Capacity in Quarts ■ ◆

Reducer Size TXT SCXT HXT	Reducer Positions					
	Horizontal				Vertical	
	A	B	C	D	E	F
109,115,125	1/2	1/2	5/8	3/4	1	1-1/4
105	5/8	3/4	5/8	3/4	1-1/8	1-3/8
209,215,225	7/8	1	5/8	1	1-5/8	1-3/4
205	3/4	7/8	7/8	7/8	1-3/4	2-1/4
309,315,325	1-1/2	1-1/2	3/4	2-1/4	2-5/8	3
305	7/8	1-1/2	1-3/8	1-3/8	2-1/2	3-1/8
409,415,425	1-7/8	2-1/4	1-1/4	1-3/4	3-3/8	4-1/4
405	1-1/2	2-1/4	2-1/8	1-7/8	4	4-7/8
509,515,525	3-1/4	4	3-1/4	4	7	8-5/8
505	3-3/8	4-1/4	3-7/8	3-3/4	7-3/4	9
609,615,625	4-1/4	5	4-1/4	5	8-5/8	9-1/8
605	4-1/2	5-3/4	4-1/2	5	12	11
709,715,725	6-1/2	8	7-1/4	9-1/4	15-3/8	16-3/8
705	7-1/2	9	7-1/2	9-1/4	19	17-1/4
815,825	8-1/2	11	10-1/2	8-1/2	19-1/8	19-1/8
805	6	15	10	8-1/2	22	18-3/4
915,926	13	13	12-1/2	14-1/4	25-3/8	25-3/8
905	14-3/4	15	16-1/4	13-3/4	31-7/8	31-7/8
1015, 1024	23	14	15-3/4	18-3/4	41	41
1215, 1225	59	38	59	36-1/2	100	100
TDT1325	86	62	86	59	110	110
TDT1425	120	88	120	61	150	150
TDT1530	197	138	197	170	281	281

- U.S. Measure: 1 qt. = 32 fluid oz. = .94616 liters
- ◆ Consult DODGE for proper oil level for reducers with backstops and which are mounted in C-position or D-position.



ENGINEERING/TECHNICAL

TORQUE-ARM Shaft Mount Speed Reducers

TORQUE-ARM Speed Reducer Flange Mounting And Clearance Dimensions

TXT Taper Bushed and Straight Bore Reducers can be supplied with mounting pads on the back of the housing which are drilled and tapped to permit bolting the reducer to the supporting framework. Reducers are now provided from the factory with this feature. They can no longer be field modified. There is

no additional charge for the modification. Order flange mount TXT reducers per the part number below. Consult DODGE for delivery. See page G2-179, Tables 32 and 33 or consult DODGE for allowable output shaft overhung loads.

TXT Flange Mount Taper Bushed Reducers ^{(1) (2) (3)}

Part No	Reducer Size	Weight
241415	TXT105T Flange Mount Reducer	40
241417	TXT115AT Flange Mount Reducer	45
241419	TXT125AT Flange Mount Reducer	45
242415	TXT205T Flange Mount Reducer	52
242417	TXT215AT Flange Mount Reducer	58
242419	TXT225AT Flange Mount Reducer	58
243620	TXT305AT Flange Mount Reducer	86
243622	TXT315BT Flange Mount Reducer	98
243624	TXT325BT Flange Mount Reducer	98
244381	TXT405AT Flange Mount Reducer	122
244383	TXT415BT Flange Mount Reducer	139
244385	TXT425BT Flange Mount Reducer	139
245341	TXT505AT Flange Mount Reducer	182
245343	TXT515CT Flange Mount Reducer	207
245345	TXT525CT Flange Mount Reducer	207
246428	TXT605T Flange Mount Reducer	251
246430	TXT615AT Flange Mount Reducer	285
246432	TXT625AT Flange Mount Reducer	285
247431	TXT705T Flange Mount Reducer	410
247433	TXT715AT Flange Mount Reducer	462
247435	TXT725AT Flange Mount Reducer	462
248414	TXT805T Flange Mount Reducer	557
248416	TXT815AT Flange Mount Reducer	633
248418	TXT825AT Flange Mount Reducer	633
249414	TXT905T Flange Mount Reducer	668
249416	TXT915AT Flange Mount Reducer	760
249418	TXT926AT Flange Mount Reducer	760
250416	TXT1015AT Flange Mount Reducer	1020
250418	TXT1024AT Flange Mount Reducer	1020

TXT Flange Mount Straight Bore Reducers ^{(1) (2) (3)}

Part No	Reducer Size	Weight
241416	TXT105S Flange Mount Reducer	40
241418	TXT115AS Flange Mount Reducer	45
241420	TXT125AS Flange Mount Reducer	45
242416	TXT205S Flange Mount Reducer	52
242418	TXT215AS Flange Mount Reducer	58
242420	TXT225AS Flange Mount Reducer	58
243621	TXT305AS Flange Mount Reducer	86
243623	TXT315BS Flange Mount Reducer	98
243625	TXT325BS Flange Mount Reducer	98
244382	TXT405AS Flange Mount Reducer	122
244384	TXT415BS Flange Mount Reducer	139
244386	TXT425BS Flange Mount Reducer	139
245342	TXT505AS Flange Mount Reducer	182
245344	TXT515CS Flange Mount Reducer	207
245346	TXT525CS Flange Mount Reducer	207
246429	TXT605S Flange Mount Reducer	251
246431	TXT615AS Flange Mount Reducer	285
246433	TXT625AS Flange Mount Reducer	285
247432	TXT705S Flange Mount Reducer	410
247434	TXT715AS Flange Mount Reducer	462
247436	TXT725AS Flange Mount Reducer	462
248415	TXT805S Flange Mount Reducer	557
248417	TXT815AS Flange Mount Reducer	633
248419	TXT825AS Flange Mount Reducer	633
249415	TXT905S Flange Mount Reducer	668
249417	TXT915AS Flange Mount Reducer	760
249419	TXT926AS Flange Mount Reducer	760
250417	TXT1015AS Flange Mount Reducer	1020
250419	TXT1024AS Flange Mount Reducer	1020

- (1) Flange mount reducers are Made-to-order with two week cycle time.
 (2) TORQUE-ARM Assembly not included with flange mount reducers.

- (3) TDT13-TDT15 reducers are supplied from stock already drilled and tapped for flange mounting. See page G2-69 Thru G2-71.



TORQUE-ARM Shaft Mount Speed Reducers

TORQUE-ARM Speed Reducer Flange Mounting Pads And Clearance Dimensions

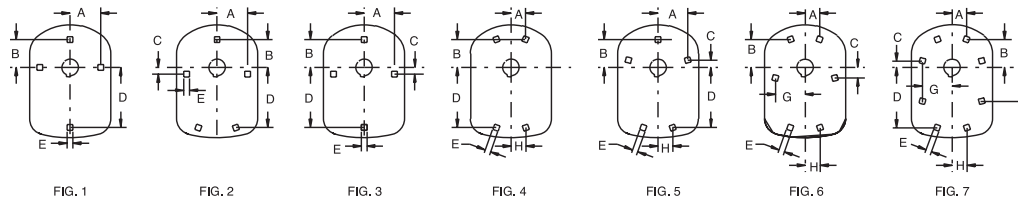
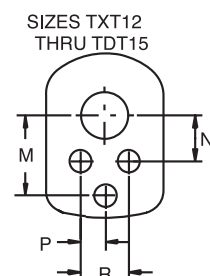
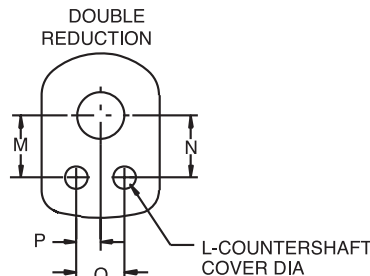
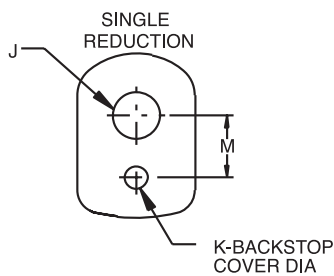


Table 28 - Flange Mounting Drilling Dimensions For TXT Reducers

Reducer Size	Nominal Ratio	Reference	A	B	C	D	E	F	G	H	Tap Size	Tap Drill Depth	Tap Depth
TXT1	5, 9, 15, 25	Fig. 1	2-13/16	3	5-1/2	7/8	7/16 -14	29/32	17/32
TXT2	9, 15, 25	Fig. 1	3-3/8	3-5/16	5-7/8	13/16	7/16 -14	7/8	1/2
TXT2	5	Fig. 2	3-3/8	3-5/16	4-7/8	7/8	2-17/32	7/16 -14	7/8	1/2
TXT3	9, 15, 25	Fig. 3	3-5/8	3-5/16	7/8	6-3/16	1-1/4	1/2-13	1	5/8
TXT3	5	Fig. 2	3-7/8	3-5/16	1	5-19/32	3/4	2-11/16	1/2-13	29/32	17/32
TXT4	5, 9, 15, 25	Fig. 3	3-5/8	3-7/8	2	7-5/8	1	1/2-13	1	5/8
TXT5	9, 15, 25	Fig. 3	4-5/8	4-9/16	2-9/32	9-1/2	1-1/4	5/8-11	7/8	7/16
TXT5	5	Fig. 3	4-5/8	4-9/16	2-9/32	9-1/4	1-1/4	5/8-11	7/8	7/16
TXT6	5, 9, 15, 25	Fig. 3	6-3/16	5-1/8	2-3/16	11	1-7/8	5/8-11	1-1/8	11/16
TXT7	5, 9, 15, 25	Fig. 3	5-5/8	6-1/4	2-15/16	13-1/4	2	3/4-10	1-3/8	7/8
TXT8	5, 15, 25	Fig. 3	6-5/16	7	3	15-1/16	2	3/4-10	1-11/32	27/32
TXT9	15, 26	Fig. 4	5-7/16	5-15/16	16-7/8	2	3-3/8	3/4-10	1-1/32	17/32
TXT9	5	Fig. 5	8-1/16	8-1/16	5/8	13-7/8	2	7-15/16	3/4-10	1-1/32	15/16
TXT10	15, 24	Fig. 6	5-13/16	7-15/16	3-1/2	19	2	9-13/16	3-1/8	3/4-10	1-7/32	23/32
TXT12	15, 25	Fig. 6	6-1/8	10-3/4	7-1/4	22-11/16	2-1/2	12-9/16	9-1/16	3/4-10	1-25/32	1-9/32
TDT13	25	Fig. 6	7-5/16	12-3/4	6-1/2	25-3/4	2-1/2	15-3/4	7-5/16	1-8	2-3/8	1-3/4
TDT14	25	Fig. 7	8-1/4	12-3/4	1-1/4	28-1/4	2-1/2	16-3/4	18-1/16	8-1/4	1-8	2-5/8	2
TDT15	30	Fig. 7	11	15-1/8	1-1/4	32-3/8	3-1/2	19-5/8	22	11	1-8	2-5/8	2

TABLE 29 - FLANGE MOUNTING CLEARANCE DIMENSIONS

Reducer Size	Nominal Ratio	J	K	L	M	N	P	Q	R	Reducer Size	Nominal Ratio	J	K	L	M	N	P	Q	R
TXT1	9,15,25	3-1/4	2-9/16	3-3/16	3-3/16	1-29/32	2-17/32	...	TXT7	9,15,25	9-1/8	5-1/16	4-11/16	8-5/16	8-5/32	5-1/8	6-3/4
TXT1	5	3-1/4	2-13/16	3-1/4	TXT7	5	9-1/8	5-1/16	8-5/16
TXT2	9,15,25	4-1/16	3-1/2	3-3/4	3-3/4	2-1/8	3	...	TXT8	15,25	9-1/2	7-5/8	6	9-1/2	9-1/2	6-1/32	7-23/32
TXT2	5	4-1/16	3-1/2	3-7/8	TXT8	5	9-1/2	7-1/2	9-41/64
TXT3	9,15,25	4-3/8	3-1/2	2-11/16	4-3/16	4-3/16	2-5/16	3-5/16	...	TXT9	15,26	10-15/16	8	8	10-13/16	10-13/16	6-19/32	8-5/8
TXT3	5	4-3/8	3-1/2	4-1/4	TXT9	5	10-15/16	8	10-31/32
TXT4	9,15,25	4-13/16	3-7/8	3-1/4	4-25/32	4-25/32	2-3/4	3-11/16	...	TXT10	15,24	12-1/4	8	7-5/8	12-1/2	12-1/2	6-9/16	8-23/32
TXT4	5	4-13/16	4-1/16	4-7/8	TXT12	15,25	14-1/4	8-5/8	9	22-29/32	13-25/32	5-9/16	11-1/8
TXT5	9,15,25	5-5/8	4-1/4	3-1/4	5-11/16	5-21/32	3-1/16	4-9/16	...	TDT13	25	15-5/8	8-5/8	10-1/4	24-27/64	14-15/32	6-5/16	12-5/8
TXT5	5	5-5/8	4-3/4	5-7/8	TDT14	25	17-5/8	10-3/4	11-3/4	26-9/32	15-5/16	7-1/8	14-1/4
TXT6	9,15,25	8-1/8	5-1/16	4	6-3/4	6-23/32	4-3/32	5-5/8	...	TDT15	30	22-1/2	10-3/4	13-1/2	30-9/16	18-1/8	8	16
TXT6	5	8-1/8	5-1/16	6-7/8										



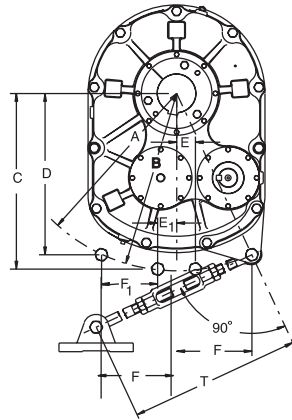
FEATURES/BENEFITS PAGE G2-2	SPECIFICATION PAGE G2-9	MODIFICATION/ACCESSORIES PAGE G2-120	RENEWAL PARTS PAGE G2-166
--------------------------------	----------------------------	---	------------------------------



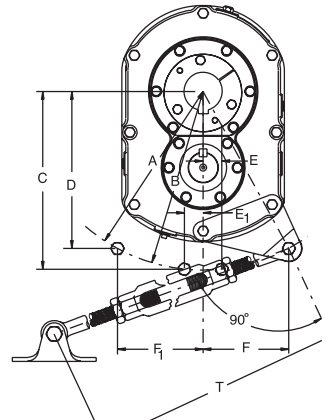
ENGINEERING/TECHNICAL

TORQUE-ARM Shaft Mount Speed Reducers

Optional TORQUE-ARM Rod Mounting Positions For TORQUE-ARM Reducers



DOUBLE REDUCTION
TORQUE-ARM REDUCERS



SINGLE REDUCTION
TORQUE-ARM REDUCERS

Table 26 - TORQUE-ARM Rod Optional Mounting Positions For TXT1 Thru TXT10 Double Reduction Reducers ★

Reducer Size	A - Radius	B - Radius	C	D	E, E1	F, F1	T	
							Min.	Max.
TXT1A	8.00	-	-	7.25	-	3.41	23.81	29.63
TXT2A	8.75	9.00	8.94	7.50	0.81	4.50	26.94	32.94
TXT3B	10.16	10.38	10.31	8.88	0.97	4.94	26.94	32.94
TXT4B	11.47	11.84	11.78	10.06	1.09	5.50	29.19	35.19
TXT5C	13.75	14.03	13.97	12.06	1.00	6.63	29.19	35.19
TXT6A	15.69	15.88	15.84	13.63	0.94	7.75	29.19	35.19
TXT7A	18.19	18.84	18.81	15.88	1.25	8.94	29.44	35.44
TXT8A	21.00	21.38	21.38	19.56	-	7.63	30.00	36.00
TXT9A	22.72	23.63	23.63	20.63	-	9.50	30.00	36.00
TXT10A	25.20	25.56	25.56	23.56	-	8.94	30.00	36.00

Table 27 - TORQUE-ARM Rod Optional Mounting Positions For TXT105 Thru TXT905 Single Reduction Reducers ★

Reducer Size	A - Radius	B - Radius	C	D	E, E1	F, F1	T	
							Min.	Max.
TXT105	8.00	-	-	7.25	-	3.41	23.81	29.63
TXT205	8.75	9.00	8.94	7.50	0.81	4.50	26.94	32.94
TXT305A	10.16	10.38	10.31	8.88	0.97	4.94	26.94	32.94
TXT405A	11.47	11.84	11.78	10.06	1.09	5.50	29.19	35.19
TXT505A	14.53	14.81	14.78	12.59	0.91	7.25	29.19	35.19
TXT605	16.44	16.66	16.63	14.22	0.88	8.22	29.19	35.19
TXT705	18.19	18.84	18.81	15.88	1.25	8.94	29.44	35.44
TXT805	21.00	21.38	21.38	19.56	-	7.63	30.00	36.00
TXT905	22.70	23.63	23.63	20.63	-	9.50	30.00	36.00

★ It is preferred to mount the TORQUE-ARM rod in tension. However, the design allows mounting in compression as well. If mounted in compression, observe the tolerance $\pm 20^\circ$ to the 90° referenced above, to minimize bending. The housing direction will be opposite to the direction of output or driven shaft rotation.

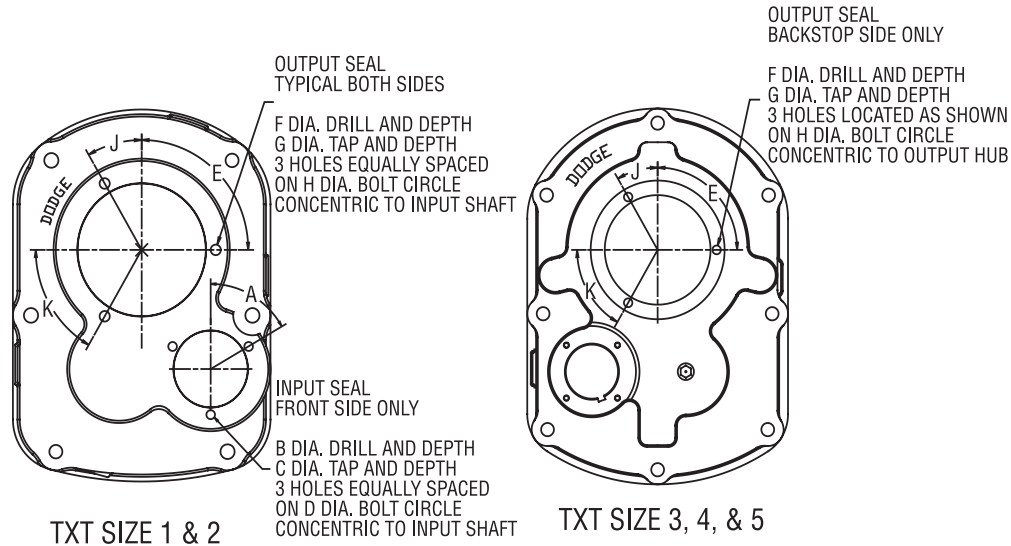
FEATURES/BENEFITS PAGE G2-2	SPECIFICATION PAGE G2-9	MODIFICATION/ACCESSORIES PAGE G2-120	RENEWAL PARTS PAGE G2-166
--------------------------------	----------------------------	---	------------------------------



ENGINEERING/TECHNICAL

Machining Dimensions for Installation of Taconite Auxiliary Seal Kits

TXT1A Thru TXT5C and TXT105 Thru TXT 505A



Reducer Size	A (Degrees)	B ▲ (Inches)	C (Inches)	D (Inches)	E (Degrees)	F ▲ (Inches)	G (Inches)	H (Inches)	J (Degrees)	K (Degrees)
TXT1A	60°	#7 DIA 3/4 DP	1/4-20 1/2 DP	2-5/8	120°	#7 DIA 3/4 DP	1/4-20 1/2 DP	4-1/8	0°	30°
TXT2A	60°	#7 DIA 13/16 DP	1/4-20 9/16 DP	2-15/16	120°	#7 DIA 7/8 DP	1/4-20 9/16 DP	4-3/4	0°	30°
TXT3B	N/A	90°	#F DIA 3/4 DP	5/16-18 17/32 DP	5-1/4	30°	50°
TXT4B	N/A	30°	5/16 DIA 15/16 DP	3/8-16 9/16 DP	6.0	90°	130°
TXT5C	N/A	90°	5/16 DIA 15/16 DP	3/8-16 9/16 DP	6-5/8	30°	60°
TXT105	60°	#7 DIA 3/4 DP	1/4-20 1/2 DP	2-15/16	120°	#7 DIA 3/4 DP	1/4-20 1/2 DP	4-1/8	0°	30°
TXT205	60°	#7 DIA 13/16 DP	1/4-20 9/16 DP	3-11/16	120°	#7 DIA 7/8 DP	1/4-20 5/8 DP	4-3/4	0°	30°
TXT305A	N/A	90°	#F DIA 3/4 DP	5/16-18 17/32 DP	5-1/4	30°	50°
TXT405A	N/A	30°	5/16 DIA 15/16 DP	3/8-16 9/16 DP	6.0	90°	130°
TXT505A	N/A	90°	5/16 DIA 15/16 DP	3/8-16 9/16 DP	6-5/8	30°	60°

▲ DRILL DEPTH IS MAXIMUM AND MUST NOT BE EXCEEDED.
 .. PLACE AUXILIARY SEAL COVER ON INPUT SEAL CARRIER USING BOLTS PROVIDED.
 N/A NOT APPLICABLE.

FEATURES/BENEFITS PAGE G2-2	SPECIFICATION PAGE G2-9	MODIFICATION/ACCESSORIES PAGE G2-120	RENEWAL PARTS PAGE G2-166
--------------------------------	----------------------------	---	------------------------------



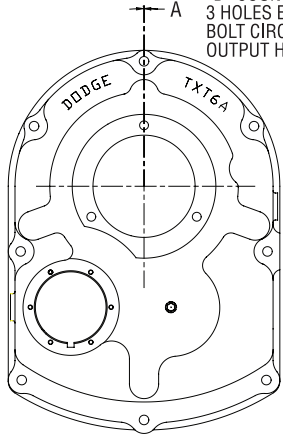
ENGINEERING/TECHNICAL

Machining Dimensions for Installation of Taconite Auxiliary Seal Kits

TXT6A Thru TXT10A

TXT 6A ONLY
OUTPUT SEAL INSTALLATION
BACKSTOP SIDE ONLY

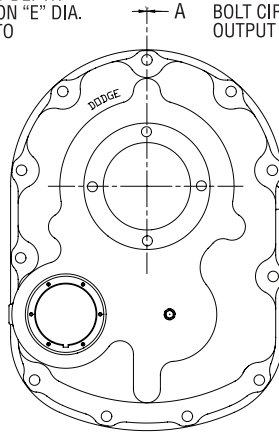
"B" DIA. DRILL AND DEPTH
"C" DIA. TAP AND DEPTH
"D" COUNTERBORE DIA. AND DEPTH
3 HOLES EQUALLY SPACED ON "E" DIA.
BOLT CIRCLE CONCENTRIC TO
OUTPUT HUB



TXT SIZE 6A
BACKSTOP SIDE ONLY

TXT7A THRU 10A ONLY
OUTPUT SEAL INSTALLATION
BACKSTOP SIDE ONLY

"B" DIA. DRILL AND DEPTH
"C" DIA. TAP AND DEPTH
"D" COUNTERBORE DIA. AND DEPTH
4 HOLES EQUALLY SPACED ON "E" DIA.
BOLT CIRCLE CONCENTRIC TO
OUTPUT HUB



TXT SIZE 7A THRU 10A
BACKSTOP SIDE ONLY

Reducer Size	A (Degrees)	B ▲ (Inches)	C (Inches)	D (Inches)	E (Inches)
TXT6A	0°	5/16 Ø 1-3/8 DP	3/8-16 1-1/16 DP	7/16 Ø 3/8 DP	7-1/4 Ø
TXT7A	0°	23/64 Ø 1-11/16 DP	7/16-14 1-5/16 DP	1/2 Ø 3/8 DP	8-1/8 Ø
TXT8A	0°	5/16 Ø 1-11/16 DP	3/8-16 1-3/8 DP	7/16 Ø 3/8 DP	8-5/8 Ø
TXT9A	0°	5/16 Ø 1-5/8 DP	3/8-16 1-5/16 DP	7/16 Ø 3/8 DP	9-15/16 Ø
TXT10A	0°	5/16 Ø 1-5/8 DP	3/8-16 1-5/16 DP	7/16 Ø 3/8 DP	11.0 Ø

▲ DRILL DEPTH IS MAXIMUM AND MUST NOT BE EXCEEDED.



TORQUE-ARM Shaft Mount Speed Reducers

Table 31 - Maximum Input and Driven Speeds for TXT and SCXT Reducers

Single Reduction			Double Reduction													
Reducer Size	Input	Driven	Reducer Size	Input RPM			Driven RPM			Reducer Size	Input RPM			Driven RPM		
				Nominal Ratio			Nominal Ratio				Nominal Ratio					
				9	15	25	9	15	25		15	25	30	15	25	30
TXT/SCXT1	2248	400														
TXT/SCXT2	2116	400														
TXT/SCXT3	2240	400	TXT/SCXT1	1888	2149	2179	200	140	85	TXT/SCXT8	1809	1847	120	75	..
TXT/SCXT4	2260	400	TXT/SCXT2	1850	1974	1994	200	140	85	TXT9	1814	1925	120	75	..
TXT/SCXT5	2268	400	TXT/SCXT3	1782	2083	2100	200	140	85	TXT10	1819	1823	120	75	..
TXT/SCXT6	2268	400	TXT/SCXT4	1934	2118	2072	200	140	85	TXT12	1786	1849	120	75	..
TXT/SCXT7	2144	400	TXT/SCXT5	1790	1925	2044	200	125	85	TDT13	1855	75	..
TXT8	2200	400	TXT/SCXT6	1840	1916	2010	200	125	85	TDT14	1860	75	..
TXT9	2154	400	TXT/SCXT7	1922	1827	1844	200	120	75	TDT15	1746	57	..

Table 32 - Output Shaft Overhung Load Ratings for Double Reduction TXT Reducers

Reducer Size	Nominal Ratio	Shaft Size	Overhung Load (Lbs.) @ Various RPM's *										
			10	20	30	50	80	100	120	140	160	180	200
TXT1	9, 15, 25	1-1/4	1990	1520	1300	1100	930	780	760	740	720	700	680
		1-7/16	1700	1300	1110	945	790	665	650	640	630	620	610
TXT2	9, 15, 25	1-7/16	2000	1510	1270	1010	840	820	720	720	710	710	700
		1-15/16	1750	1320	1110	890	730	710	630	630	620	620	610
TXT3	9, 15, 25	1-15/16	5400	4250	3680	3050	2620	2440	2310	2210	2110	2040	1980
		2-3/16	5240	4120	3570	2960	2540	2370	2240	2140	2050	1980	1920
TXT4	9, 15, 25	2-3/16	6520	5180	4510	3800	3230	3000	2830	2710	2600	2510	2430
		2-7/16	6360	5060	4410	3710	3160	2930	2770	2640	2530	2450	2370
TXT5	9, 15, 25	2-7/16	7460	5860	5080	4280	3690	3450	3270	3110	2980	2880	2790
		2-15/16	7060	5540	4800	4040	3490	3260	3090	2940	2820	2720	2640
TXT6	9, 15, 25	2-15/16	9100	7100	6100	5000	4100	4050	3700	3550	3400	3300	3200
		3-7/16	8200	6400	5500	4500	3700	3650	3400	3300	3250	3200	3150
TXT7	9, 15, 25	3-7/16	11,400	9500	7300	5950	4750	5050	4500	4300	4250	4200	4150

Values shown are for loads applied at one output shaft diameter from reducer bushing. Interpolate for values between RPM's listed.

Table 33 - Output Shaft Overhung Load Ratings for Single Reduction TXT Reducers

Reducer Size	Nominal Ratio	Shaft Size	Overhung Load (Lbs.) @ Various RPM's *						
			100	150	200	250	300	350	400
TXT1	5	1-1/4	775	610	600	500	500	500	490
		1-7/16	660	520	520	430	430	420	420
TXT2	5	1-7/16	760	620	530	530	530	530	520
		1-15/16	665	545	470	470	470	460	460
TXT3	5	1-15/16	2370	2100	1950	1840	1760	1700	1660
		2-3/16	2300	2040	1890	1780	1710	1650	1610
TXT4	5	2-3/16	3030	2720	2490	2310	2170	2060	1970
		2-7/16	2930	2640	2400	2240	2100	1990	1900
TXT5	5	2-7/16	3080	2750	2560	2400	2260	2160	2080
		2-15/16	2920	2610	2430	2270	2140	2050	1980
TXT6	5	2-15/16	4350	3850	3500	3250	3200	3100	3050
		3-7/16	3950	3500	3200	2950	2900	2800	2750
TXT7	5	3-7/16	3800	3650	3300	3450	3500	3400	3300

* Values shown are for loads applied at one output shaft diameter from reducer bushing. Interpolate for values between RPM's listed.

Table 1 - WR² (Lb.-FT²) At High Speed Shaft for TXT Reducers *

Reducer Size	Nominal Ratio				Reducer Size	Nominal Ratio			
	5:1	9:1	15:1	25:1		5:1	9:1	15:1	25:1
TXT1	0.002	0.013	0.008	0.007	TXT9	1.66	...	1.39	0.794
TXT2	0.013	0.027	0.011	0.007	TXT10	1.63	0.927
TXT3	0.034	0.059	0.026	0.013	TXT12	7.71	3.68
TXT4	0.075	0.092	0.043	0.023	TDT13	6.56
TXT5	0.15	0.233	0.099	0.067	TDT14	9.0
TXT6	0.201	0.461	0.197	0.109	TDT15	11.42
TXT7	0.48	1.004	0.417	0.285					
TXT8	0.96	...	0.942	0.571					

* For WR² at low speed shaft, multiply WR² value listed by (actual ratio)².

FEATURES/BENEFITS PAGE G2-2	SPECIFICATION PAGE G2-9	MODIFICATION/ACCESSORIES PAGE G2-120	RENEWAL PARTS PAGE G2-166
--------------------------------	----------------------------	---	------------------------------



ENGINEERING/TECHNICAL

TORQUE-ARM Shaft Mount Speed Reducers

Thrust Capacity Of Screw Conveyor Drive Reducers

The screw conveyor drive reducer uses tapered roller bearings which take Thrust in either direction from the screw conveyor.

This eliminates the need for external Thrust bearings commonly used.

Table 1 - Thrust Capacity Of Screw Conveyor Drive Reducers (Pounds) ●

Reducer Size	Screw Conveyor RPM						
	80	100	120	140	160	180	200
SCXT109A	3986	3765	3588	3434	3303	3192	3092
SCXT209A	5389	5025	4742	4505	4304	4138	3990
SCXT309B	5290	4920	4660	4450	4240	4100	3970
SCXT409B	6000	6000	5800	5500	5200	5000	5000
SCXT509C	6000	6000	6000	6000	5800	5700	5500
SCXT609A	6000	6000	6000	6000	6000	6000	6000
SCXT709A	4863	4527	4244	3959	3713	3520	3335

Reducer Size	Screw Conveyor RPM					
	25	50	75	100	125	140
SCXT115A	6000	4840	4220	3820	3540	3414
SCXT215A	6000	6000	5440	4920	4560	4380
SCXT315B	6000	6000	5400	4920	4600	4450
SCXT415B	6000	6000	6000	6000	5800	5600
SCXT515C	6000	6000	6000	6000	6000
SCXT615A	6000	6000	6000	6000	6000
SCXT715A †	6000	6000	5220	4530

Reducer Size	Screw Conveyor RPM				
	25	50	75	80	85
SCXT125A	6000	4840	4220	4130	4040
SCXT225A	6000	6000	5440	5320	5000
SCXT325B	6000	6000	5400	5290	5200
SCXT425B	6000	6000	6000	6000	6000
SCXT525C	6000	6000	6000	6000
SCXT625A	6000	6000	6000	6000
SCXT725A	6000	6000	5220

Reducer Size	Screw Conveyor RPM						
	100	150	200	250	300	350	400
SCXT105	6000	5500	5060	4730	4520	4340	4200
SCXT205	5310	4760	4390	4160	3970	3810	3680
SCXT305A	6000	5300	4900	4600	4400	4300	4200
SCXT405A	6000	5900	5500	5000	4600	4500	4500
SCXT505B	6000	6000	6000	6000	5700	5400	5000
SCXT805	6000	6000	6000	6000	6000	6000	6000
SCXT705	5860	5500	4810	4710	4830	4980	4900

† Actual maximum output speed for SCXT715 reducer is 120 rpm

● Consult DODGE for SCXT8 Thrust capacity



ENGINEERING/TECHNICAL

TORQUE-ARM Shaft Mount Speed Reducers

Guidelines For Long-Term Storage Of TORQUE-ARM Reducers

During periods of long storage (3 months or more), or when awaiting delivery or installation of other equipment, special care should be taken to protect a gear reducer to have it in the best condition when placed into service.

By taking special precautions, problems such as seal leakage and reducer failure due to the lack of lubrication, improper lubrication quantity, or contamination can be avoided. The following precautions will protect gear reducers during periods of extended storage.

PREPARATION

1. Drain the oil from the unit. Add a vapor phase corrosion inhibiting oil such as VCI-105 oil by Daubert Chemical Co.
2. Seal the unit air tight. Replace the vent plug with a standard pipe plug and wire the vent to the unit.
3. Cover the shaft extension with a waxy rust preventive compound that will keep oxygen away from the bare metal such as Non-Rust X-110 by Daubert Chemical Co.

4. The instruction manuals and lubrication tags are paper and must be kept dry. Either remove these documents and store them inside or cover the unit with a durable waterproof cover which can keep moisture away.
5. Protect the reducer from dust, moisture, and other contaminants by storing the unit in a dry area.
6. In damp environments, the reducer should be packed inside a moisture-proof container or an envelope of plastic containing a desiccant material. If the reducer is to be stored outdoors, cover the entire exterior with a rust preventive.
7. Once a month rotate the input shaft at least 30 revolutions to redistribute the weight of gears and shafts and to prevent brinnelling of the bearings and drying of the seal track.

Table 1 - Vci #105 Oil For TORQUE-ARM Reducers

Case Size	Quarts Or Liters
TXT1	0.1
TXT2	0.1
TXT3	0.1
TXT4	0.2
TXT5	0.3
TXT6	0.4
TXT7	0.5
TXT8	0.6
TXT9	0.9
TXT10	1.3
TXT11	1.9
TXT12	2.5

VCI #105 & #10 are interchangeable, but VCI #105 is more readily available.

WHEN PLACING THE REDUCER INTO SERVICE

1. Assemble the vent plug into the proper hole.
2. Clean the shaft extensions with petroleum solvents.
3. Fill the unit to the proper oil level using a recommended lubricant. The VCI oil will not affect the new lubricant.
4. Follow the installation instructions provided with the unit

FEATURES/BENEFITS PAGE G2-2	SPECIFICATION PAGE G2-9	MODIFICATION/ACCESSORIES PAGE G2-120	RENEWAL PARTS PAGE G2-166
--------------------------------	----------------------------	---	------------------------------



ENGINEERING/TECHNICAL

TORQUE-ARM Shaft Mount Speed Reducers Trouble-Shooting Guide For TORQUE-ARM Reducers

Symptom	Probable Cause	Remedy
Excessive Noise and Vibration	Improper arm attachment.	Check instructions and correct. Tighten all fasteners properly.
	Low oil level.	Check level. Fill to proper oil capacity per instruction manual.
	Excessive premature gear wear due to improper size reducer.	Reselect reducer in catalog with proper service factor. Replace worn unit.
	Driven shaft undersized.	Replace shaft or remachine to properly fit next smaller bushing size. (Check shaft strength.)
	Driven shaft bent.	Check runout. Replace or straighten shaft.
	Worn gears and bearings.	Replace gears and bearings as necessary.
	Driven shaft not projecting through output bore or bushings.	Reposition reducer on shaft or replace shaft.
	Tapered reducer bushings improperly tightened.	Check instruction manual and tighten per recommended torque values.
	Improper connection to driver and driven equipment.	Check belt tension and V-belt sheave alignment. Check coupling alignment. Check all fasteners and setscrews; tighten properly. Inspect driven shaft key positioning.
	Worn or cracked V-belts.	Replace with new belts.
Overheating Reducers	Driven equipment noise.	Check for source, reducer may amplify existing noise.
	Improper oil level	Check oil and fill to proper oil capacity per instruction manual. Too much oil causes heat due to churning and friction; too little starves components.
Exceeds 195 Deg F. Housing Temperature	Improper reducer size.	Reselect reducer in catalog. Decrease load or replace reducer with proper unit.
	Excessive V-belt tension.	Tension belts properly. Position sheaves as close to reducer as possible.
	Excessive reducer operating speed.	Check catalog recommendations. If necessary refer all application details to manufacturer.
	Located near high ambient heat source.	Shield reducer from heat source. Relocate reducer. Refer application details to manufacturer.
	No cooling fan installed.	Check catalog recommendation. Instal fan if required.
Oil Leakage	Undetermined source of leak.	Clean reducer and dry all surfaces. Run for one hour and inspect for leak from seals, gaskets, covers and plugs.
	Plugged breather air passage.	Clean air passage. Remove air passage tape on new reducers.
	Loose drain, breather or pipe plugs.	Tighten securely. Check oil level.
	Excessive oil level.	Check level. Fill to proper oil capacity per instruction manual.
	Breather plug below oil.	Relocate breather to highest location. Check oil level.
	Premature seal wear due to hostile environment.	Replace seals. Install auxiliary seal kit.
Excessive Backlash	Worn gears.	Replace worn gears in sets.
	Loose bearings.	Check bearing wear, adjustment and replace.
	Worn shaft keys	Replace worn keys. Check shaft keyway for wear
	Driven equipment backlash	Check equipment for backlash
Excessive Lateral Movement	Worn and loose bearings	Replace bearings.
	Improper bearing adjustment.	Readjust bearing per instruction manual.
	Loose bearing carrier caps.	Check and tighten fasteners.
	Improper reducer mounting.	Check and tighten straight bore reducer set screws to recommended torque values. Check and tighten tapered reducer bearing fasteners to recommended torque values. See instruction manual.
Excessive Reducer Wobble	Reversing duty applications.	Refer application details to manufacturer.
	Driven shaft undersized.	Replace shaft or remachine to properly fit next smaller bushing size. (Check shaft strength.)
	Driven shaft bent.	Check runout. Replace or straighten shaft.
	Improper torque arm attachment.	Check instructions and correct. Tighten all fasteners promptly.
	Driven shaft not projecting through output bore or bushings.	Reposition reducer on shaft or replace shaft.
Worn or loose driven shaft key.	Check for proper size and replace. Check shaft keyway size.	



ENGINEERING/TECHNICAL

TORQUE-ARM Shaft Mount Speed Reducers Trouble-Shooting Guide For TORQUE-ARM Reducers

Symptom	Probable Cause	Remedy
Reducer Shafts Will Not Rotate	Improper backstop installation.	Remove backstop and install properly. (Rotate end for end.)
	Driven equipment locked.	Check for rotation of driven equipment.
	Damaged gearing	Check gearing and replace. Inspect driven equipment and check for rotation.
Premature Input Bearing Failure	Excessive V-belt tension	Tension V-belts properly.
	Excessive overhung load.	Mount sheave as close to reducer as possible. Check minimum sheave requirement and replace if necessary.
	Improper oil level.	Check oil and fill to proper oil capacity per instruction manual.
	Excessive reducer operating speed.	Check catalog recommendations. If necessary, refer application details to manufacturer.
Premature Backstop Wear or Backstop Slips	Improper oil	Check oil. Avoid lubricants with EP additives, e.g., graphite. Check instruction manual for proper type.
	Backstop wear.	Check wear and replace. Inspect periodically.
	Excessive input shaft lateral movement.	Check for bearing, shaft, and housing wear. Replace components and readjust reducer per instruction manual.
	Excessive V-belt tension.	Tension V-belts properly.
	Excessive overhung load.	Mount sheave as close to reducer as possible. Check minimum sheave requirement and replace if necessary.
	Backstop key not installed	Install key or keys.
	Improper installation.	Check for proper direction of shaft rotation in backstop.
	Improper input bearing adjustment	Readjust bearings per instruction manual.
	Contaminated oil.	Flush reducer and replace oil.
	Excessive reducer operating speed.	Check catalog recommendations. Refer application details to manufacturer.

Consult DODGE for other applications.

REPLACEMENT INTERCHANGE TXT SERIES EQUIVALENTS

FOUR GENERATIONS OF DODGE TORQUE-ARM REDUCERS											
AGMA CASE SIZE	RATIO										
	5:1		9:1	15:1				25:1			
-	#10	#10	-	-	-	TD015	-	-	TD025	-	-
107	#11	T11	TXT105	TXT109	#1	TD115	TDT115	TXT115	TD125	TDT125	TXT125
115	#12	T12	TXT205	TXT209	#2	TD215	TDT215	TXT215	TD225	TDT225	TXT225
203	#13	T13	TXT305	TXT309	#3	TD315	TDT315	TXT315	TD325	TDT325	TXT325
207	#14	T14	TXT405	TXT409	#4	TD415	TDT415	TXT415	TD425	TDT425	TXT425
215	#15	T15	TXT505	TXT509	#5	TD515	TDT515	TXT515	TD525	TDT525	TXT525
307	#16	T16	TXT605	TXT609	#6	TD615	TDT615	TXT615	TD625	TDT625	TXT625
315	#17	T17	TXT705	TXT709	#7	TD715	TDT715	TXT715	TD725	TDT725	TXT725
407	#18	T18	TXT805	-	#8	TD815	TDT815	TXT815	TD825	TDT825	TXT825
415	#19	T19	TXT905	-	#9	TD915	TDT915	TXT915	TD926	TDT926	TXT926
507	-	-	-	-	-	TD1015	TDT1015	TXT1015	TD1024	TDT1024	TXT1024
-	-	-	-	-	-	-	TDT1115	-	TD1125	TDT1125	-
608	-	-	-	-	-	-	TDT1215	TXT1215	TD1225	TDT1225	TXT1225
700	-	-	-	-	-	-	-	-	TD1325	TDT1325	TDT1325
800	-	-	-	-	-	-	-	-	TD1425	TDT1425	TDT1425
1000	-	-	-	-	-	-	-	-	-	TDT1530	TDT1530

Notes:

- The “#” series and TD DODGE TORQUE-ARM reducers were manufactured with straight bore mountings only. The TDT and current TXT DODGE TORQUE-ARM reducers were/are manufactured with both straight bore and twin tapered bore bushings.
- With the increased HP ratings of the TXT reducer, it may be possible to downsize to a smaller gearbox when replacing an old-style DODGE TORQUE-ARM reducer. Be sure to review the application.

FEATURES/BENEFITS PAGE G2-2	SPECIFICATION PAGE G2-9	MODIFICATION/ACCESSORIES PAGE G2-120	RENEWAL PARTS PAGE G2-166
--------------------------------	----------------------------	---	------------------------------



ENGINEERING/TECHNICAL

TORQUE-ARM Shaft Mount Speed Reducers

Backstop Interchange For Dodge TXT-TDT-TD-T-No. TORQUE-ARM Reducers

Part Number	Current TXT Series Housing Redesign 2005	TXT Series Brg Redesign 1991	TXT Series Intro 1985	TDT Series	TD Series	Number Series
241101				TDT115 TDT125	TD115 TD125	No. 1
242101	TXT109A TXT115A TXT125A		TXT105 TXT109 TXT115 TXT125	T11 TDT215 TDT225	TD215 TD225	No. 2 No. 3 No. 11
243101				TDT315 TDT325	TD315 TD325	
243102	Use Part Number 244106					
243106	TXT309B TXT315B TXT325B	TXT309A TXT315A TXT325A				
244092				TDT415 TDT425	TD415 TD425	
244101						No. 4 No. 5
244106	TXT409B TXT415B TXT425B	TXT409A TXT415A TXT425A	TXT309 TXT315 TXT435			
244148		TXT405A	TXT405 TXT409 TXT415 TXT425			
245101				TDT515 TDT525	TD515 TD525	
245154	TXT509C TXT515C TXT525C	TXT509B TXT515B TXT525B	TXT509A, TXT509 TXT515A, TXT515 TXT525A, TXT525			
246092	TXT609A TXT615A TXT625A	TXT605 TXT609 TXT615 TXT625		T16 TDT615 TDT625	TD615A, TD615 TD625A, TD625	No. 16A

Gearing Reference Guide

TORQUE-ARM II

TORQUE-ARM

MAXUM

TIGEAR-2

FEATURES/BENEFITS PAGE G2-2	SPECIFICATION PAGE G2-9	MODIFICATION/ACCESSORIES PAGE G2-120	RENEWAL PARTS PAGE G2-166
--------------------------------	----------------------------	---	------------------------------



ENGINEERING/TECHNICAL

TORQUE-ARM Shaft Mount Speed Reducers

Backstop Interchange For All Dodge TORQUE-ARM Reducers

Part Number	Current TXT Series Housing Redesign 2005	TXT Series Brg Redesign 1991	TXT Series Intro 1985	TDT Series	TD Series	Number Series
246101		TXT505A	TXT505	T15		No. 6
247092	Use Part Number 247260					
247101						No. 7A
247260	TXT709A TXT715A TXT725A	TXT705 TXT709 TXT715 TXT725		T17 TDT715 TDT725	TD715A, TD715 TD725A, TD725	No. 17A
248101	Use Part Number 249260					
249260	TXT 815A TXT 825A TXT 915A TXT 926A	TXT815 TXT825 TXT915 TXT926		TDT815 TDT825 TDT915 TDT926 TDT1115 TDT1125	TD815A, TD815 TD825A, TD825 TD915 TD926 TD1115 TD1125	No. 8 No. 9 No. 18
250101	Use Part Number 250260					
250260	TXT1015A TXT1024A	TXT805 TXT1015 TXT1024 TXT1215 TXT1225		T18 TDT1015 TDT1024 TDT1215 TDT1225	TD1015 TD1024 TD1215 TD1225	
252101	TXT209A TXT215A TXT225A	TXT305A	TXT205 TXT209 TXT215 TXT225 TXT305	T12 T13		No. 13
254101				T14		No. 14
255101						No. 15
256101						No. 16
257101						No. 17
272259		TXT905		T19, TDT1325		
272293				TDT1425 TDT1530		

Gearing Reference Guide

TORQUE-ARM II

TORQUE-ARM

MAXUM

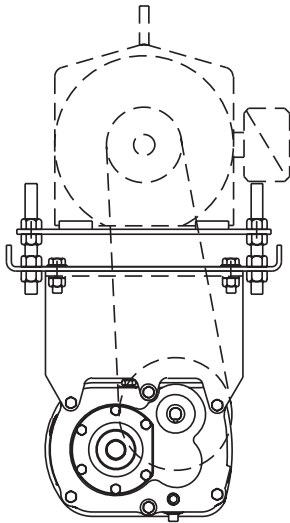
TIGEAR-2

FEATURES/BENEFITS PAGE G2-2	SPECIFICATION PAGE G2-9	MODIFICATION/ACCESSORIES PAGE G2-120	RENEWAL PARTS PAGE G2-166
--------------------------------	----------------------------	---	------------------------------

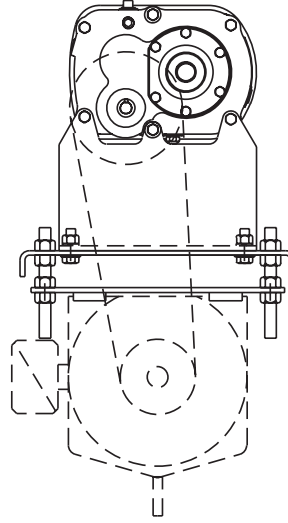


ENGINEERING/TECHNICAL

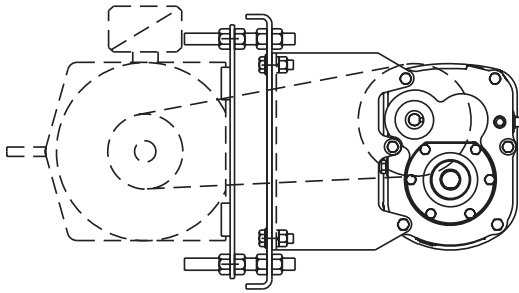
TORQUE-ARM Shaft Mount Speed Reducers Screw Conveyor Drive Mounting Positions Based On Screw Diameter



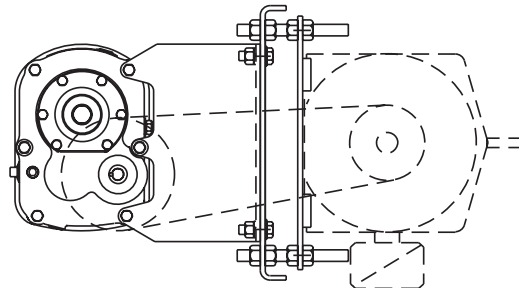
TOP POSITION



BOTTOM POSITION



LEFT SIDE POSITION



RIGHT SIDE POSITION

Reducer Size	Motor Mount No. ★	For Use on Troughs with Screw Diameters of:	
		Top, Right and Left Side Portions	Bottom Position
SCXT1A	M112	6, 9, 12"	6, 9"
SCXT2A	M214	6, 9, 12, 14"	6, 9, 12"
SCXT3B	M316	6, 9, 12, 14, 16"	6, 9, 12, 14"
SCXT4B, SCXT5C	M418, M518	9, 12, 14, 16, 18"	9, 12, 14, 16"
SCXT6A, SCXT7A	M620, M720	12, 14, 16, 18, 20"	12, 14, 16, 18"

★ Long Series Motor Mount to fit troughs with screws up Thru 24" diameter are available from stock.
See pages G2-92 Thru G2-119.

FEATURES/BENEFITS PAGE G2-2	SPECIFICATION PAGE G2-9	MODIFICATION/ACCESSORIES PAGE G2-120	RENEWAL PARTS PAGE G2-166
--------------------------------	----------------------------	---	------------------------------



CONTENTS

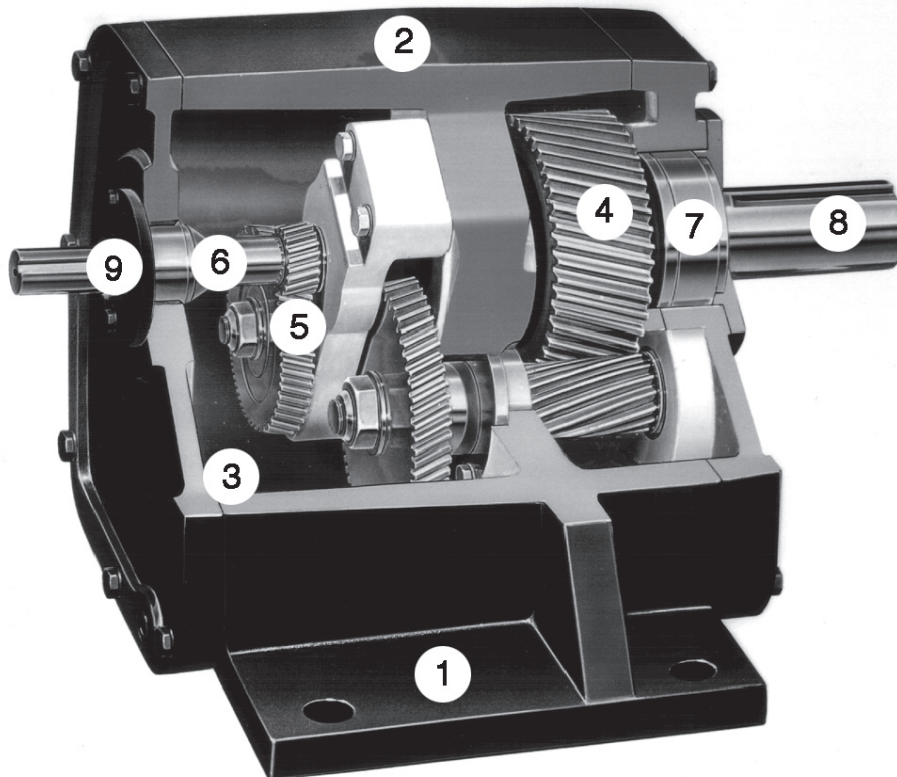
MAXUM Concentric Reducers

Features/Benefits	G3-2
Specifications	G3-4
How to Order	G3-5
Nomenclature	G3-5
Easy Selection	
Separate Reducers	G3-6
Scoop Mount Packages	G3-16
Selection/Dimensions	G3-24
Modification/Accessories	G3-32
Related products	G3-53
Engineering/Technical	G3-55
Part Number Index	INDEX-1
Keyword Index	INDEX-35



FEATURES/BENEFITS

MAXUM Concentric Reducers



1. Rugged, compact package generates dependable performance in less space.
 - Maximum capacity design
2. High strength, ductile and cast iron housings provide strength and rigidity for industrial applications
 - Finite element modeled
 - Integral internal walls
3. Precision machined, doweled design provides proper gear alignment under load.
4. All new helical gearing with increased capacity reduces cost or extends service life.
 - Case carburized, precision finished teeth
 - Gears and pinions 98% efficient per stage
5. Balanced gear ratios for the most cost-effective design.
6. Large diameter shafts for added strength.
 - Increased shaft diameters for less deflection
7. All heavy-duty tapered roller bearing design for increased performance.
 - Increased radial and thrust load capabilities
 - Minimum 25,000 hours average life
8. Reducer overhung load capability optimized for total system value.
9. Standard, double-lip and optional Viton) seals help keep lubricants in, contaminants out.
 - 100% Factory tested before shipment
 - Standard seal operating temperatures of -40°F to 225°F.



FEATURES/BENEFITS

MAXUM Concentric Reducers



Top quality for maximum reliability. Available options for maximum versatility.

Options

Dodge MAXUM Reducer Size	Ratios Available	Hp@ 1750 Rpm 25:1	Low Speed Shaft Ohl** @ 68 Rpm (Lbs)	Scoop Packages For Motor Frames	Custom Designed Heavy Duty Baseplates	Top Motor Mounts For Motor Frames	External Backstop	Aux. Seals	Viton® Seal Option	Slide Base
4	2.25-194.6	34.7	5,460	143-326T	YES	143-326T	YES	YES	YES	YES
5	2.25-194.6	43.5	7,130	143-365T	YES	182-365T	YES	YES	YES	YES
6	2.25-194.6	71.0	8,660	143-365T	YES	182-365T	YES	YES	YES	YES
7	5.06-194.6	108	13,100	213-445T	YES	213-445T	YES	YES	YES	YES
8	5.06-194.6	125	14,300	213-445T	YES	213-445T	YES	YES	YES	YES
9	5.06-194.6	189	15,800	254-445T	YES	213-445T	YES	YES	YES	YES
10	5.06-194.6	277	16,000	254-445T	YES	254-445T	YES	YES	YES	YES
11	5.06-194.6	375	19,400	284-445T	YES	284-445T	YES	YES	YES	YES
12	5.06-194.6	493	17,500	284-445T	YES	284-445T	YES	YES	YES	YES

* Based on competitive ratings and the Dodge unit it replaces

** Overhung Load

Features

- Maximum Input Horsepower @1750 Rpm - 1600 Hp
- Maximum Output Torque- 502,000 In-Lbs
- Balanced Metric Design
- All Heavy Duty Tapered Roller Bearings
- Standard Double-Lip Seals With Standard Viton Option
- Up To 250 Hp Scoop Packages With Multiple Coupling Options
- Custom Mechanical Power Transmission Packages
- AC/DC Variable Speed Application Expertise
- Warranty Protection Plan - 36/12 Months
- Quick Response Delivery Program
- ISO 9002 Certified



SPECIFICATION

MAXUM Concentric Reducers

MAXUM SPEED REDUCER

The speed reducer shall be a direct coupled, V-belt, or chain driven enclosed concentric type unit with a double or triple reduction ratio. The published rating of the speed reducer shall conform to all applicable AGMA standards.

The reducer housing shall be constructed of corrosion resistant, Class 30 gray iron with cast internal walls for added strength. All housings and end covers shall be doweled and precision machined to assure accurate alignment for all gear sets.

All gearing shall be of single helical design, and crown shaved or ground to provide an ellipsoid tooth form to eliminate tooth end bearing and assure meshing in the strongest tooth area. All gears shall be case carburized to insure a high surface durability and resilient tooth core for greater impact resistance and longer service life. Pinions shall be supported between bearings to maintain proper alignment of the gear meshes, to minimize deflections and to maximize load carrying capabilities.

Reducer bearings shall be the taper roller type, and provide a minimum 25,000 hour average life. All seals shall be of the double lip, spring loaded type, made of nitrile rubber.

Reducer gears and bearings shall be splash lubricated using a quality petroleum base oil containing rust and oxidation inhibitors.

MAXUM SPEED REDUCER WITH SCOOP

The speed reducer shall be direct coupled enclosed concentric type unit with a double or triple reduction ratio.

The published rating of the speed reducer shall conform to all applicable AGMA standards. The motor shall be supported by a steel fabricated scoop of rigid design to maintain motor shaft alignment to the input shaft of the speed reducer.

The reducer housing shall be constructed of corrosion resistant, Class 30 gray iron with cast internal walls for added strength. All housings and end covers shall be doweled and precision machined to assure accurate alignment for all gear sets.

All gearing shall be of single helical design, and crown shaved or ground to provide an ellipsoid tooth form to eliminate tooth end bearing and assure meshing in the strongest tooth area. All gears shall be case carburized to insure a high surface durability and resilient tooth core for greater impact resistance and longer service life. Pinions shall be supported between bearings to maintain proper alignment of the gear meshes, to minimize deflections and to maximize load carrying capabilities.

Reducer bearings shall be the taper roller type, and provide a minimum 25,000 hour average life. All seals shall be of the double lip, spring loaded type, made of nitrile rubber.

Reducer gears and bearings shall be splash lubricated using a quality petroleum base oil containing rust and oxidation inhibitors.

The fabricated steel scoop shall be supported by the reducer housing and shall include a means of accommodating the motor frame required.

A flexible coupling of either the elastomeric or grid type design shall be furnished to couple motor to reducer. The couplings shall be furnished with Taper-Lock bushings, or bored-to-size, for attachment of coupling flange to shafts. The shaft coupling shall be covered by an approved guard as required.

MAXUM SPEED REDUCER WITH BASE PLATES

The speed reducer shall be direct coupled enclosed concentric type unit with a double or triple reduction ratio. The published rating of the speed reducer shall conform to all applicable AGMA standards. The motor shall be supported by a steel fabricated baseplate of rigid design to maintain motor shaft alignment to the input shaft of the speed reducer.

The reducer housing shall be constructed of corrosion resistant, Class 30 gray iron with cast internal walls for added strength. All housing and end covers shall be doweled and precision machined to assure accurate alignment for all gear sets.

All gearing shall be of single helical design, and crown shaved or ground to provide an ellipsoid tooth form to eliminate tooth end bearing and assure meshing in the strongest tooth area. All gears shall be case carburized to insure a high surface durability and resilient tooth core for greater impact resistance and longer service life. Pinions shall be supported between bearings, to maintain proper alignment of the gear meshes, to minimize deflections and to maximize load carrying capabilities.

Reducer bearings shall be the taper roller type, and provide a minimum 25,000 hour average life. All seals shall be of the double lip, spring loaded type, made of nitrile rubber.

Reducer gears and bearings shall be splash lubricated using a quality petroleum base oil containing rust and oxidation inhibitors.

The steel baseplate shall be of Heavy Duty design, precision machined and stress relieved, and shall include a means of accommodating the motor frame required and providing the proper alignment with reducer shaft.

A flexible coupling of either the elastomeric or grid type design shall be furnished to couple the motor to the reducer. The couplings shall be furnished with Taper-Lock bushings, or bored-to-size, for attachment of coupling hub to the shafts. The shaft coupling shall be covered by an approved guard as required.

HOW TO ORDER NOMENCLATURE



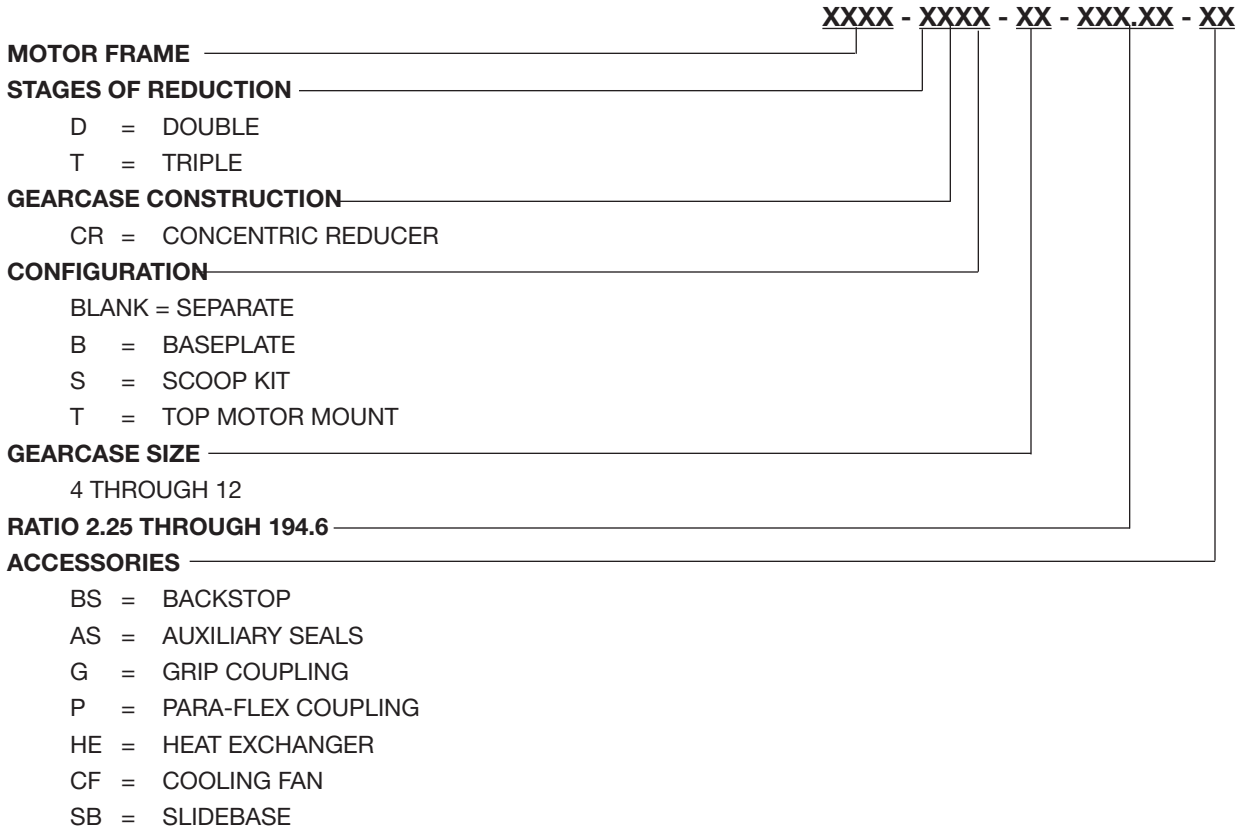
MAXUM Concentric Reducers

HOW TO ORDER MAXUM REDUCERS

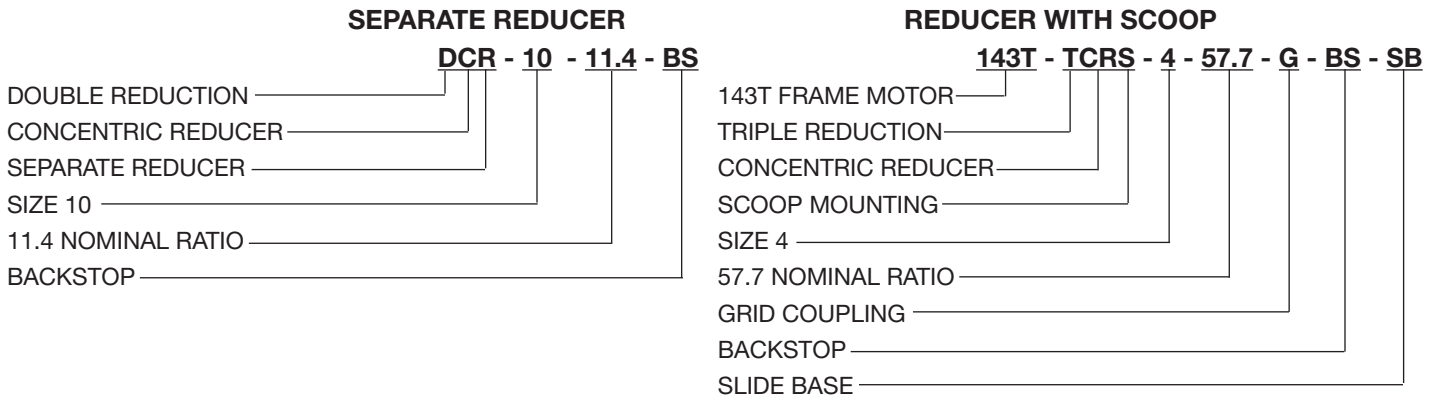
Once the correct DODGE MAXUM Concentric Shaft Reducer and accessories have been selected from information published in this catalog, the complete assembly can be specified or ordered using the nomenclature provided and/or the part numbers listed in the specification section, pages G3-24 through G3-31.

NOTE: If selection cannot be made from information herein, technical assistance is available to recommend drives for new or existing applications. Submit full details to DODGE MAXUM Application Engineering (864) 288-9050; DODGE Customer Service (864) 297-4800.

NOMENCLATURE



NOMENCLATURE EXAMPLES



FEATURES/BENEFITS PAGE G3-2	SPECIFICATION PAGE G3-4	EASY SELECTION PAGE G3-6	SELECTION/DIMENSIONS PAGE G3-24
--------------------------------	----------------------------	-----------------------------	------------------------------------

EASY SELECTION



MAXUM Concentric Reducers

When to Use Easy Selection

The Easy Selection tables for Separate Reducers are for electric motor selections up to 250 HP with input speeds of 1750 rpm using AGMA recommended service factors. For all other motor/prime mover input speeds and horse powers, use the Horsepower/Torque Selection Method on pages G3-55 through G3-56.

NOTE: If your application has unusual requirements (i.e., excessive shock or overloads, extreme ambient temperatures, non-standard motors or oversized equipment), refer to Horsepower/ Torque Selection Method.

How to Select

Step 1: Determine Service Factor – See Table 2 to determine service factor for applications under normal conditions. **Note:** When service factor exceeds 2.0, Horsepower/ Torque Selection Method must be used.

NOTE: AGMA classifies scoop mounted motors as gearmotor applications which are sized using a load classification in place of a service factor. (See Easy Selection Method for scoop mounting, page G3-17.)

Step 2: Determine Unit Size – See tables on pages G3-11 through G3-17. Find the service factor table that is required for the application. Read the unit size under required Horsepower and opposite the required low speed shaft RPM. Note: For applications where fan cooling is unacceptable, use easy selection table with an increased service factor.

Step 3: Check External Thrust and Overhung Load – See information on page G3-56 to calculate high speed and low speed overhung loads. Consult DODGE about external thrust loads.

Step 4: Check Dimensions – See specification/dimension section, pages G3-24 through G3-31 for dimensions, weights and part numbers.

Step 5: Select Accessories – Check matrix for compatibility of combinations of accessories, page G3-32.

Example: Easy Selection Method - Separate Reducers

A 75 hp 1750 rpm motor is used to drive a uniformly loaded belt conveyor at 84 rpm operating 16 hours per day. The reducer is coupling connected at both the input and output shafts.

Step 1: Determine Service Factor - From Table 2, Service Factors, locate “Belt Conveyors - Uniformly Loaded or Fed.” Select the Service Factor of 1.25 under the column headed 10+ hours/day service.

Step 2: Determine Unit Size - Turn to the Easy Selection Table for 1.25 Service Factor (Table 4). Find the column headed by 75 motor horsepower and read down to 83.6 rpm. A MAXUM size 7 is the correct selection and the nominal ratio is 20.93:1.

Step 3: Check External Thrust and Overhung Loads - Since the input and output shafts are coupling connected, thrust and overhung loads will not exist. (An overhung load example is given on page G3-57. Consult DODGE about external thrust loads.)

Step 4: Check Dimensions - Refer to the specifications for the DODGE MAXUM size 7 reducer located on page G3-29. The part number for the reducer is **299145**.

Step 5: Select Accessories - No accessories were required for this example.



EASY SELECTION

MAXUM Concentric Reducers SERVICE FACTORS

The service factors that follow are adapted from AGMA 6010-E88 Appendix A.

Applications which expose the gear drive to high starting torques, extreme repetitive shock, or where high energy loads must be absorbed as when stalling, require special consideration. Service factors for these special applications should be agreed upon by the user and DODGE since variations of the values in the table may be required.

The service factors in the service factor table are based on the use of an electric or hydraulic motor or the use of a steam or gas turbine as a prime mover. If the prime mover is a single or multi-cylinder engine, then the service factor must be adjusted in accordance with Table 1.

Table 1: Conversion Table For Single or multi-cylinder engines to find equivalent single or multi-cylinder application factor or service factor

Steam and Gas Turbines, Hydraulic or Electric Motor	Single Cylinder Engines	Multi Cylinder Engines
1.00	1.50	1.25
1.25	1.75	1.50
1.50	2.00	1.75
1.75	2.25	2.00
2.00	2.50	2.25
2.25	2.75	2.50
2.50	3.00	2.75
2.75	3.25	3.00
3.00	3.50	3.25
3.50	4.00	3.75

Table 2: Service Factors

Application	Service		Application	Service		Application	Service	
	3-10	10+Hrs/Day		3-10	10+Hrs/Day		3-10	10+Hrs/Day
AGITATORS	Hrs/Day	Day	BOTTLING MACHINERY	1.00	1.25	Uniformly Loaded or Fed	1.00	1.25
Pure Liquids	1.00	1.25	BREWING & DISTILLING			Heavy Duty	1.25	1.50
Liquids & Solids	1.25	1.50	Bottling Machinery	1.00	1.25	CHEMICAL FEEDERS		
Liquids - Variable Density	1.25	1.50	Brew Kettles, Cont. Duty	1.25	1.25	(Sewage)	1.25	1.25
APRON CONVEYORS			Can Filling Machines	1.00	1.25	CLARIFIERS	1.00	1.25
Uniformly Loaded			Cookers - Cont. Duty	1.25	1.25	CLASSIFIERS	1.25	1.50
or Fed	1.00	1.25	Mash Tubs - Cont. Duty	1.25	1.25	CLAY WORKING IND.		
Heavy Duty	1.25	1.50	Scale Hoppers - Frequent Starts	1.25	1.50	Brick Press	1.75	2.00
APRON FEEDERS	1.25	1.50	BRICK PRESS (Clay Working)	1.75	2.00	Briquette Machines	1.75	2.00
ASSEMBLY CONVEYORS			BRIQUETTE MACHINES (Clay Working)	1.75	2.00	Pug Mills	1.25	1.50
Uniformly Loaded			BUCKET			COLLECTORS (Sewage)	1.25	1.25
or Fed	1.00	1.25	Conveyors Uniform	1.00	1.25	COMPRESSORS		
Heavy Duty	1.25	1.50	Conveyors Heavy Duty	1.25	1.50	Centrifugal	1.00	1.25
BALL MILLS	▲	▲	Elevators Cont.	1.00	1.25	Lobe	1.25	1.50
BARGE HAUL PULLERS	1.25	1.50	Elevators Uniform	1.00	1.25	Reciprocating:		
BARKING			Elevators Heavy Duty	1.25	1.50	Multi-cylinder	1.50	1.75
Drums (coupling connected)		2.00	CALENDERS			Single Cylinder	1.75	2.00
Mechanical		2.00	Rubber		1.50	CONCRETE MIXERS		
BAR SCREENS (Sewage)	1.25	1.25	Textile	1.25	1.50	Continuous	1.25	1.50
BATCHERS (Textile)	1.25	1.50	CANE KNIVES		1.50	Intermittent	1.25	1.50
BELT CONVEYORS			CAN FILLING MACHINES	1.00	1.25	CONVEYORS - Uniformly Loaded or Fed: Apron Assembly, Belt,		
Uniformly Loaded			CARD MACHINES (Textile)	1.25	1.50	Bucket, chain, Flight		
or Fed	1.00	1.25	CAR DUMPERS	1.75	2.00	Oven, Screw	1.00	1.25
Heavy Duty	1.25	1.50	CAR PULLERS	1.25	1.50	CONVEYORS - Heavy Duty		
BELT FEEDERS	1.25	1.50	CEMENT KILNS	▲	▲	Not Uniformly Fed:		
BENDING ROLLS (Machine)	1.25	1.50	CENTRIFUGAL			Apron, Assembly, Belt,		
BLOWERS			Blowers, compressors,			Bucket, Chain, Flight,		
Centrifugal	1.00	1.25	Discharge Elevators,			Oven, Screw	1.25	1.50
Lobe	1.25	1.50	Fans or Pumps	1.00	1.25	CONVEYORS-Severe Duty		
Vane	1.25	1.50	CHAIN CONVEYORS			Live Roll Reciprocating	†	†
						Shaker	1.75	2.00

EASY SELECTION



MAXUM Concentric Reducers

Table 2: Service Factors

Application	Service		Application	Service		Application	Service	
	3-10	10+Hrs/Day		3-10	10+Hrs/Day		3-10	10+Hrs/Day
COOKERS (Brewing & Distilling), (Food)	1.25	1.25	Cooling Towers	†	†	Re-Saw Merry-Go-Round	1.25	1.50
COOLING TOWER FANS	†	†	Forced Draft	1.25	1.25	Round	1.25	1.50
CRANES	†	†	Induced Draft	1.50	1.50	Slab	1.75	2.00
CRUSHERS			Large (Mine, etc.)	1.50	1.50	Transfer	1.25	1.50
Ore or Stone	1.75	2.00	Large Industrial	1.50	1.50	Chains - Floor	1.50	1.50
Sugar		1.50	Light (Small Diameter)	1.00	1.25	Chains - Green	1.50	1.75
DEWATERING SCREENS (Sewage)	1.50	1.50	FEEDERS			Cut-Off Saws - Chain & Drag	1.50	1.75
DISC FEEDERS	1.00	1.25	Apron, Belt	1.25	1.50	Debarking Drums	1.75	2.00
DISTILLING (See Brewing)			Disc	1.00	1.25	Feeds - Edger	1.25	1.50
DOUBLE ACTING PUMPS			Reciprocating	1.75	2.00	Feeds - Gang	1.75	1.75
2 or More Cylinders	1.25	1.50	Screw	1.25	1.50	Feeds - Trimmer	1.25	1.50
Single Cylinder	†	†	FLIGHT			Log Deck	1.75	1.75
DOUGH MIXER (Food)	1.25	1.50	Conveyors, Uniform	1.00	1.25	Log Hauls - Incline, Well Type	1.75	1.75
DRAW BENCH (Metal Mills) carriage & Main Drive	1.25	1.50	Conveyors, Heavy	1.25	1.50	Log Turning Devices	1.75	1.75
DREDGES			FOOD/INDUSTRY			Planer Feed	1.25	1.50
Cable Reels, Conveyors	1.25	1.50	Beet Slicers	1.25	1.50	Planer Tilting Hoists	1.25	1.50
Cutter Head & Jig Drives	2.00	2.00	Bottling, Can Filling Machine	1.00	1.25	Rolls - Live - Off Bearing - Roll cases	1.75	1.75
Maneuvering Winches	1.25	1.50	Cereal Cookers	1.00	1.25	Sorting Table, Tipple Hoist	1.25	1.50
Pumps	2.00	2.00	Dough Mixers, Meat Grinders	1.25	1.50	Transfer - Chain & Craneway	1.50	1.75
Screen Drives	1.75	2.00	GENERATORS (Not Welding)	1.00	1.25	Tray Drives	1.25	1.50
Stackers, Utility Winches	1.25	1.50	GRAVITY DISCHARGE ELEVATORS	1.00	1.25	Veneer Lathe Drives	†	†
DRY DOCK CRANES	†	†	HAMMER MILLS	1.75	2.00	MACHINE TOOLS		
DRYERS & COOLERS (Mills, Rotary)		1.50	HOISTS (See Cranes)	†	†	Auxiliary Drives	1.00	1.25
DYEING MACHINERY (Textile)	1.25	1.50	INDUCED DRAFT FANS	1.50	1.50	Banding Rolls	1.25	1.50
ELEVATORS			KILNS	▲	▲	Main Drives	1.25	1.50
Bucket - Uniform Load	1.00	1.25	LAUNDRY			Notching Press (Belted)	†	†
Bucket - Heavy Duty	1.25	1.50	Tumblers	1.25	1.50	Plate Planers	1.75	2.00
Centrifugal Discharge	1.00	1.25	Washers	1.50	2.00	Punch Press (Geared)	1.75	2.00
Escalators	1.00	1.25	LINE SHAFTS			Tapping Machines	1.75	2.00
Freight	1.25	1.50	Driving Processing Equipment	1.25	1.50	MANGLE (Textile)	1.25	1.50
Gravity Discharge	1.00	1.25	Other Line Shafts, Light	1.00	1.25	MASH TUBS (Brewing & Distilling)	1.25	1.25
Man. Lifts, Passenger	†	†	LIVE ROLL CONVEYORS	†	†	MEAT GRINDERS (Food)	1.25	1.50
EXTRUDERS			LOBE BLOWERS OR COMPRESSORS	1.25	1.50	METAL MILLS		
General	1.50	1.50	LOG HAULS (Lumber)			Draw Bench Carriages & Main Drives	1.25	1.50
Plastics			Incline-well Type	1.75	1.75	Pinch, Dryer & Scrubber		
Variable Speed Drive	1.50	1.50	LOOMS (Textile)	1.25	1.50	Rolls Reversing	†	†
Fixed Speed Drive	1.75	1.75	LUMBER INDUSTRY			Slitters	1.25	1.50
Rubber			Barkers - Spindle Feed	1.25	1.50	Table Conveyors, Non-Reversing		
Continuous Screw			Barkers - Main Drive	1.75	1.75	Group Drives	1.50	1.50
Operation	1.75	1.75	Carriage Drive	†	†	Individual Drives	2.00	2.00
Intermittent Screw			Conveyors			Reversing	†	†
Operation	1.75	1.75	Burner	1.25	1.50			
FANS			Main or Heavy Duty	1.50	1.50			
Centrifugal	1.00	1.25	Main Log	1.75	2.00			

EASY SELECTION



MAXUM Concentric Reducers

Table 2: Service Factors

Application	Service		Application	Service		Application	Service	
	3-10	10+Hrs/Day		3-10	10+Hrs/Day		3-10	10+Hrs/Day
Wire Drawing & Flattening Machines	1.50	1.50	Turning, Dandy & Return Rolls		1.25	Centrifugal	1.00	1.25
Wire Winding Machines			Jordan		1.50	Proportioning	1.25	1.50
MILLS, ROTARY			Kiln Drive		1.50	Reciprocating		
Ball and Rod Mills		2.00	Mt. Hope & Paper Rolls		1.25	Single Act., 3 or More Cyl.	1.25	1.50
with Spur Ring Gear		1.50	Platter		1.50	Double Act, 2 or More Cyl.	1.25	1.50
with Helical Ring Gear		2.00	Presses (Felt & Suction)		2.00	Single Act., 1 or 2 Cyl.	†	†
Direct connected		1.50	Pulper		1.25	Double Act, 1 Cyl.	†	†
Cement Kilns, Dryers, Coolers, Pebble, Plain & Wedge Bar Mills		1.50	Reel (Surface Type)		1.50	Rotary: Gear, Lobe, Vane	1.00	1.25
Tumbling Barrels	1.75	2.00	Screens -			PUNCH PRESS (Gear Driven)	1.75	2.00
MIXERS (Also see Agitators)			Chip, Rotary		2.00	RECIPROCATING		
Concrete, Cont. & Int.	1.25	1.50	Vibrating		1.25	Conveyors, Feeders	1.75	2.00
Constant Density	1.00	1.25	Size Press		1.25	RECIPROCATING		
Variable Density	1.25	1.50	Super Calender (3)		1.25	COMPRESSORS		
NAPPERS (Textile)	1.25	1.50	Thickener & Washer -			Multi Cylinder	1.50	1.75
OIL INDUSTRY			AC Motor		1.50	Single Cylinder	1.75	2.00
Chillers	1.25	1.50	DC Motor		1.25	REVERSING DIRECTION APPLICATION	†	†
Oil Well Pumping	†	†	Vacuum Pumps		1.50	ROD MILLS	▲	▲
Paraffin Filter Press	1.25	1.50	Wind & Unwind Stand		1.25	ROTARY		
Rotary Kilns	1.25	1.50	Winders (Surface Type)		1.25	Pumps	1.00	1.25
ORE CRUSHERS	1.75	2.00	Yankee Dryer (2)		1.25	Screens (Sand and Gravel)	1.25	1.50
OVEN CONVEYORS			PASSENGER ELEVATORS	†	†	RUBBER INDUSTRY		
Uniform	1.00	1.25	PEBBLE MILLS	▲	▲	Intensive Internal Mixers		
Heavy Duty	1.25	1.50	PLASTICS INDUSTRY			Batch Mixers	1.75	1.75
PAPER MILLS (1)			Primary Processing			Continuous Mixers	1.50	1.50
Agitator (Mixer)		1.50	Intensive Internal Mixers			Mixing Mill-2smooth rolls (If corrugated rolls are used, then use the same service factors that are used for a Cracker-Warmer)	1.50	1.50
Agitator for Pure Liquids		1.25	Batch Mixers	1.75	1.75	Batch Drop Mill		
Barking Drums. Barkers -Mech.		2.00	Continuous Mixers	1.50	1.50	2 Smooth Rolls	1.50	1.50
Beater		1.50	Batch Drop Mill -		1.25	Cracker Warmer-2		
Breaker Stack		1.25	2 Smooth Rolls	1.25	1.25	Rolls: 1 corrugated Roll	1.75	1.75
Calender (2)		1.25	Continuous Feed, Holding & Blend Mill	1.25	1.25	Rolls	2.00	2.00
Chipper		2.00	Compounding Mill	1.25	1.25	Holding, Feed & Blend Mill-2 Rolls	1.25	1.25
Chip Feeder		1.50	Calenders	1.50	1.50	Refiner-2 Rolls	1.50	1.50
Coating Rolls		1.25	Secondary Processing			Calenders	1.50	1.50
Conveyors -			Blow Molders	1.50	1.50	SAND MULLERS	1.25	1.50
Chip, Bark, Chemical		1.25	Coating	1.25	1.25	SCREENS		
Log (Incl. Slab)		2.00	Film	1.25	1.25	Air Washing	1.00	1.25
Couch Rolls		1.25	Pipe	1.25	1.25	Rotary-Sand or Gravel	1.25	1.50
Cutter		2.00	Pre-Plasticizers	1.50	1.50	Traveling Water Intake	1.00	1.25
Cylinder Molds		1.25	Rods	1.25	1.25	SCREW CONVEYORS		
Dryers (2)			Sheets	1.25	1.25			
Paper Mach. & Conveyor Type		1.25	Tubing	1.25	1.50			
Embosses		1.25	PLATE PLANERS	1.75	2.00			
Extruder		1.50	PRINTING PRESSES	†	†			
Fourdrinier Rolls - Lumpbreaker, Wire			PROPORTIONING PUMPS	1.25	1.50			
			PUG MILLS (Clay)	1.25	1.50			
			PULLERS (Barge Haul)	1.25	1.50			
			PUMPS					

FEATURES/BENEFITS PAGE G3-2	SPECIFICATION PAGE G3-4	SELECTION/DIMENSIONS PAGE G3-24	MODIFICATION/ACCESSORIES PAGE G3-32
--------------------------------	----------------------------	------------------------------------	--

EASY SELECTION



MAXUM Concentric Reducers

Table 2: Service Factors

Application	Service		Application	Service	
	3-10	10+Hrs/ Day		3-10	10+Hrs/ Day
Uniform	1.00	1.25	TABLE CONVEYORS		
Heavy Duty or Feeder	1.25	1.50	(Non-Reversing)		
SCUM BREAKERS			Group Drives	1.50	1.50
(Sewage)	1.50	1.50	Individual Drives	2.00	2.00
SEWAGE DISPOSAL			Reversing	†	†
Bar Screens	1.25	1.25	TENTER FRAMES (Textile)	1.25	1.50
Chemical Feeders	1.25	1.25	TEXTILE INDUSTRY		
Collectors	1.25	1.25	Batchers, calenders	1.25	1.50
Dewatering Screens	1.50	1.50	Card Machines	1.25	1.50
Scum Breakers	1.50	1.50	Dry Cans, Dryers	1.25	1.50
Slow or Rapid Mixers	1.50	1.50	Dyeing Machinery	1.25	1.50
Thickeners	1.50	1.50	Knitting Machinery	†	†
Vacuum Filters	1.50	1.50	Looms, Mangles		
SHAKER CONVEYORS	1.75	2.00	Nappers, Pads	1.25	1.50
SHEETERS (Rubber)		1.50	Range Drives	†	†
SINGLE ACTING PUMP			Slashers, Soapers		
1 or 2 Cylinders	†	†	Spinners	1.25	1.50
3 or More Cylinders	1.25	1.50	Tenter Framers,		
SKIP HOIST	†	†	Washers, Winders	1.25	1.50
SLAB PUSHERS	1.50	1.50	THICKNESS (Sewage)	1.50	1.50
SLITTERS (metal)	1.25	1.50	TUMBLING BARRELS	1.75	2.00
SLUDGE COLLECTORS			VACUUM FILTERS		
(Sewage)	1.25	1.25	(Sewage)	1.50	1.50
SOAPERS (Textile)	1.25	1.50	VANE BLOWERS	1.25	1.50
SPINNERS (Textile)	1.25	1.50	WINCHES (Dredges)	1.25	1.50
STEERING GEARS			WINDERS (Textile)	1.25	1.50
STOKERS	1.00	1.25	WINDGLASS	†	†
STONE CRUSHERS	1.75	2.00	WIRE		
SUGAR INDUSTRY			Drawing Machines	1.25	1.50
Cane Knives, Crushers			Winding Machines	1.50	1.50
Mill		1.50			

† Consult DODGE

▲ See Mill, Rotary

(1) Service factors for paper mill applications are applied to the nameplate rating of the electric motor at the motor rated base speed

(2) Using anti-friction bearings only. Use 1.50 for sleeve bearings

(3) When a super calender operates over a speed range of part constant horsepower and part constant torque and the constant horsepower speed range is greater than 1.5:1, use a service factor of 1.00 at base speed. When operating at constant torque over the entire speed range or when the constant horsepower speed range is less than 1.5:1, a 1.25 service factor should be used.



EASY SELECTION

MAXUM Concentric Reducers

Table 3: Easy Selection - Separate Reducers 1750 RPM - 1.0 Service Factor

Norm Ratio	Approx Low Speed Shaft RPM	Unit Red.	MAXUM Reducer Size Used with Motor Horsepower of: (With Frame Size References)							
			5	7-1/2	10	15	20	25	30	40
			(184T)	(213T)	(215T)	(254T)	(256T)	(284T)	(286T)	(324T)
2.25	777.8	DOUBLE	1	1	1	1	1	1	1	2
2.75	636.4		1	1	1	1	1	1	1	2
3.37	519.3		1	1	1	1	1	1	2	2
4.13	423.7		1	1	1	1	1	1	1	3
5.06	345.8		1	1	1	1	1	1	2	3
6.20	282.3		1	1	1	1	1	1	2	3
7.59	230.6		1	1	1	1	1	2	2	3
9.30	188.2		1	1	1	1	2	2	3	3
11.39	153.6		1	1	1	1	2	2	3	3 •
13.95	125.4		1	1	1	2	2	3	3	4
17.09	102.4		1	1	1	2	3	3	3	4
20.93	83.6		1	1	2	2	3	3	4	4 •
25.63	68.3		1	1	2	3	3	4	4	5 •
31.39	55.8	TRIPLE	1	2	2	3	4	4	4	6
38.44	45.5		1	2	3	3	4	4	5	6
47.08	37.2		2	2	3	4	4	5	6	6
57.67	30.4		2	3	3	4	5	6	6	7
70.62	24.8		2	3	4	5	6	6	6	7
86.50	20.2		3	4	4	6	6	6	7	9
105.90	16.5		3	4	5	6	6	7	7	9
129.70	13.5		4	4	6	6	7	7	9	9
158.90	11.0		4	5	6	7	7	9	9	10
194.60	9.0		4	6	6	7	9	9	9	10

Norm Ratio	Approx Low Speed Shaft RPM	Unit Red.	MAXUM Reducer Size Used with Motor Horsepower of: (With Frame Size References)							
			50	60	75	100	125	150	200	250
			(326T)	(364T)	(365T)	(405T)	(444T)	(445T)	(447T)	(449T)
2.25	777.8	DOUBLE	3	3 •	3 •	4 •	4 •	5 •	-	-
2.75	636.4		3	3 •	3 •	4 •	5 •	5 •	6 •	-
3.37	519.3		3	3	4 •	4 •	5 •	6 •	-	-
4.13	423.7		3 •	3 •	4 •	4 •	5 •	6 •	-	-
5.06	345.8		3 •	3 •	4 •	4 •	5 •	6 •	7 •	7 •
6.20	282.3		3 •	4 •	4 •	5 •	5 •	6 •	7 •	7 •
7.59	230.6		3 •	4 •	4 •	5 •	5 •	6 •	7 •	7 •
9.30	188.2		4	4 •	4 •	5 •	6 •	7 •	7 •	7 •
11.39	153.6		4 •	4 •	5 •	6 •	7	7 •	7 •	9 •
13.95	125.4		4 •	5 •	5 •	6 •	7	7 •	9 •	9 •
17.09	102.4		4 •	5 •	6 •	7	7 •	7 •	9 •	10 •
20.93	83.6		5 •	6 •	6 •	7	7 •	9 •	9 •	10 •
25.63	68.3		6	6 •	7	7	9 •	9 •	10 •	10 •
31.39	55.8	TRIPLE	6	7	7	9	9	9 •	10 •	11 •
38.44	45.5		6	7	7	9	9 •	10 •	10 •	11 •
47.08	37.2		7	7	9	9	10 •	10 •	11 •	12 •
57.67	30.4		7	9	9	10 •	10 •	11 •	12 •	-
70.62	24.8		9	9	9	10 •	11 •	11 •	-	-
86.50	20.2		9	9	10	10	11	12	-	-
105.90	16.5		9	10	10	11	12	-	-	-
129.70	13.5		10	10	11	12	-	-	-	-
158.90	11.0		10	11	11	-	-	-	-	-
194.60	9.0		11	11	12	-	-	-	-	-

- Cooling Fan Required
- + TEFC-XE Frame, Energy Efficient Motors

FEATURES/BENEFITS PAGE G3-2	SPECIFICATION PAGE G3-4	SELECTION/DIMENSIONS PAGE G3-24	MODIFICATION/ACCESSORIES PAGE G3-32
--------------------------------	----------------------------	------------------------------------	--



EASY SELECTION

MAXUM Concentric Reducers

Table 4: Easy Selection - Separate Reducers 1750 RPM - 1.25 Service Factor

Norm Ratio	Approx Low Speed Shaft RPM	Unit Red.	MAXUM Reducer Size Used with Motor Horsepower of: (With Frame Size References)								
			5 (184T)	7-1/2 (213T)	10 (215T)	15 (254T)	20 (256T)	25 (284T)	30 (286T)	40 (324T)	
2.25	777.8	DOUBLE	1	1	1	1	1	1	2	2	
2.75	636.4		1	1	1	1	1	2	2	3	
3.37	519.3		1	1	1	1	1	2	2	3	
4.13	423.7		1	1	1	1	1	1	2	3	
5.06	345.8		1	1	1	1	1	2	2	3	
6.20	282.3		1	1	1	1	1	2	2	3	
7.59	230.6		1	1	1	1	2	2	2	3	
9.30	188.2		1	1	1	1	2	2	3	4	
11.39	153.6		1	1	1	2	2	3	3	4	
13.95	125.4		1	1	1	2	3	3	4	4	
17.09	102.4		1	1	2	2	3	4	4	4	
20.93	83.6		1	2	2	3	3	4	4	5	
25.63	68.3		1	2	2	3	4	4	5	6	
31.39	55.8		TRIPLE	1	2	3	4	4	5	6	6
38.44	45.5			2	2	3	4	4	6	6	6
47.08	37.2	2		3	3	4	5	6	6	7	
57.67	30.4	2		3	4	5	6	6	7	7	
70.62	24.8	3		4	4	6	6	7	7	9	
86.50	20.2	3		4	5	6	6	7	7	9	
105.9	16.5	4		4	6	6	7	7	9	9	
129.7	13.5	4		5	6	7	7	9	9	10	
158.9	11.0	4		6	6	7	9	9	10	10	
194.6	9.0	5		6	7	9	9	10	10	11	

Norm Ratio	Approx Low Speed Shaft RPM	Unit Red.	MAXUM Reducer Size Used with Motor Horsepower of: (With Frame Size References)								
			50 (326T)	60 (364T)	75 (365T)	100 (405T)	125 (444T)	150 (445T)	200 (447T)	250 (449T)	
2.25	777.8	DOUBLE	3	3•	4•	4•	5•	6•	-	-	
2.75	636.4		3	3•	4•	5•	5•	6•	-	-	
3.37	519.3		3	4	4•	5•	6•	6•	-	-	
4.13	423.7		3•	4•	4•	5•	5•	6•	-	-	
5.06	345.8		3•	4•	4•	5•	5•	6•	7•	7•	
6.20	282.3		4	4•	4•	5•	6•	7	7•	7•	
7.59	230.6		4	4•	5•	5•	7	7	7•	7•	
9.30	188.2		4	4•	5•	6•	7	7•	7•	9•	
11.39	153.6		4•	5•	5•	7	7	7•	9•	9•	
13.95	125.4		5	5•	6•	7	7	7•	9•	10•	
17.09	102.4		5•	6	7	7	9	9•	10•	10•	
20.93	83.6		6	6•	7	7	9•	9•	10•	10•	
25.63	68.3		6	7	7	9•	9	9•	10•	11•	
31.39	55.8		TRIPLE	7	7	9	9	9	10•	11•	12•
38.44	45.5			7	7	9	9	10•	10•	11•	12•
47.08	37.2	7		9	9	10•	10•	11•	12•	-	
57.67	30.4	9		9	9	10•	11	11•	-	-	
70.62	24.8	9		9	10	11	11•	12•	-	-	
86.50	20.2	9		10	10	11	12	-	-	-	
105.9	16.5	10		10	11	12	-	-	-	-	
129.7	13.5	10		11	12	-	-	-	-	-	
158.9	11.0	11		11	-	-	-	-	-	-	
194.6	9.0	11		12	-	-	-	-	-	-	

- Cooling Fan Required
- + TEFC-XE Frame, Energy Efficient Motors

FEATURES/BENEFITS PAGE G3-2	SPECIFICATION PAGE G3-4	SELECTION/DIMENSIONS PAGE G3-24	MODIFICATION/ACCESSORIES PAGE G3-32
--------------------------------	----------------------------	------------------------------------	--



EASY SELECTION

MAXUM Concentric Reducers

Table 5: Easy Selection - Separate Reducers 1750 RPM - 1.50 Service Factor

Norm Ratio	Approx Low Speed Shaft RPM	Unit Red.	MAXUM Reducer Size Used with Motor Horsepower of: (With Frame Size References)								
			5	7-1/2	10	15	20	25	30	40	
			(184T)	(213T)	(215T)	(254T)	(256T)	(284T)	(286T)	(324T)	
2.25	777.8	DOUBLE	1	1	1	1	1	2	2	3	
2.75	636.4		1	1	1	1	1	2	2	3	
3.37	519.3		1	1	1	1	2	3	3	3	
4.13	423.7		1	1	1	1	1	2	2	3	
5.06	345.8		1	1	1	1	2	2	2	3	
6.20	282.3		1	1	1	1	2	2	3	4	
7.59	230.6		1	1	1	2	2	2	3	4	
9.30	188.2		1	1	1	2	2	3	4	4	
11.39	153.6		1	1	1	2	3	3	4	4	
13.95	125.4		1	1	2	2	3	4	4	5	
17.09	102.4		1	2	2	3	3	4	4	5	
20.93	83.6		1	2	2	3	4	4	5	6	
25.63	68.3		1	2	3	4	4	5	6	6	
31.39	55.8		TRIPLE	2	2	3	4	4	6	6	7
38.44	45.5			2	3	3	4	5	6	6	7
47.08	37.2	2		3	4	5	6	6	7	7	
57.67	30.4	3		4	4	6	6	7	7	9	
70.62	24.8	3		4	5	6	6	7	7	9	
86.50	20.2	4		4	6	6	7	7	9	9	
105.9	16.5	4		5	6	7	7	9	9	10	
129.7	13.5	4		6	6	7	9	9	10	10	
158.9	11.0	5		6	7	9	9	10	10	11	
194.6	9.0	6		6	7	9	9	10	10	11	

Norm Ratio	Approx Low Speed Shaft RPM	Unit Red.	MAXUM Reducer Size Used with Motor Horsepower of: (With Frame Size References)								
			50	60	75	100	125	150	200	250	
			(326T)	(364T)	(365T)	(405T)	(444T)	(445T)	(447T)	(449T)	
2.25	777.8	DOUBLE	3	4•	4•	5•	6•	6•	-	-	
2.75	636.4		3	4	4•	5•	6•	-	-	-	
3.37	519.3		4	4	5•	6•	6•	-	-	-	
4.13	423.7		4	4•	4•	5•	6•	-	-	-	
5.06	345.8		4	4•	5•	5•	6•	7•	7•	7•	
6.20	282.3		4	4•	5•	6•	7	7	7•	9•	
7.59	230.6		4	5	5•	6•	7	7	7•	9•	
9.30	188.2		4	5•	6	7	7	7•	9•	10•	
11.39	153.6		5	5•	6	7	7	7•	9•	10•	
13.95	125.4		5	6	7	7	7	9•	10•	10•	
17.09	102.4		6	6	7	7	9	9•	10•	11•	
20.93	83.6		6	7	7	9	9•	10•	10•	11•	
25.63	68.3		7	7	9	9	9•	10•	11•	11•	
31.39	55.8		TRIPLE	7	9	9	9	10•	10•	11•	12•
38.44	45.5			7	9	9	10	10•	11	12•	-
47.08	37.2	9		9	9	10	11	11•	-	-	
57.67	30.4	9		9	10	11	11	12•	-	-	
70.62	24.8	9		10	10	11	12	-	-	-	
86.50	20.2	10		10	11	12	-	-	-	-	
105.9	16.5	10		11	12	-	-	-	-	-	
129.7	13.5	11		11	12	-	-	-	-	-	
158.9	11.0	11		12	-	-	-	-	-	-	
194.6	9.0	12		-	-	-	-	-	-	-	

- Cooling Fan Required
- + TEFC-XE Frame, Energy Efficient Motors

FEATURES/BENEFITS PAGE G3-2	SPECIFICATION PAGE G3-4	SELECTION/DIMENSIONS PAGE G3-24	MODIFICATION/ACCESSORIES PAGE G3-32
--------------------------------	----------------------------	------------------------------------	--



EASY SELECTION

MAXUM Concentric Reducers

Table 6: Easy Selection - Separate Reducers 1750 RPM - 1.75 Service Factor

Norm Ratio	Approx Low Speed Shaft RPM	Unit Red.	MAXUM Reducer Size Used with Motor Horsepower of: (With Frame Size References)								
			5	7-1/2	10	15	20	25	30	40	
			(184T)	(213T)	(215T)	(254T)	(256T)	(284T)	(286T)	(324T)	
2.25	777.8	DOUBLE	1	1	1	1	2	2	2	3	
2.75	636.4		1	1	1	1	2	2	3	3	
3.37	519.3		1	1	1	2	2	3	3	3	
4.13	423.7		1	1	1	1	2	2	2	3	
5.06	345.8		1	1	1	1	2	2	3	4	
6.20	282.3		1	1	1	2	2	3	3	4	
7.59	230.6		1	1	1	2	2	3	4	4	
9.30	188.2		1	1	1	2	3	3	4	4	
11.39	153.6		1	1	2	2	3	4	4	5	
13.95	125.4		1	1	2	3	4	4	4	5	
17.09	102.4		1	2	2	3	4	4	5	6	
20.93	83.6		1	2	3	4	4	5	5	6	
25.63	68.3		2	2	3	4	5	6	6	6	
31.39	55.8		TRIPLE	2	3	3	4	5	6	6	7
38.44	45.5			2	3	4	5	6	6	7	7
47.08	37.2	3		4	4	5	6	7	7	9	
57.67	30.4	3		4	4	6	6	7	7	9	
70.62	24.8	3		4	5	6	7	7	9	9	
86.50	20.2	3		5	6	7	7	9	9	10	
105.9	16.5	4		6	6	7	8	9	9	10	
129.7	13.5	4		6	7	7	9	10	10	11	
158.9	11.0	5		6	7	9	9	10	10	11	
194.6	9.0	6		7	7	9	10	10	11	12	

Norm Ratio	Approx Low Speed Shaft RPM	Unit Red.	MAXUM Reducer Size Used with Motor Horsepower of: (With Frame Size References)								
			50	60	75	100	125	150	200	250	
			(326T)	(364T)	(365T)	(405T)	(444T)	(445T)	(447T)	(449T)	
2.25	777.8	DOUBLE	4	4•	5•	5•	6•	-	-	-	
2.75	636.4		4	4	5•	6•	6•	-	-	-	
3.37	519.3		4	4	5•	6•	-	-	-	-	
4.13	423.7		4	4•	5•	5•	6•	-	-	-	
5.06	345.8		4	4•	5•	6•	7	7•	7•	9•	
6.20	282.3		4	5	5•	7•	7	7	9•	9•	
7.59	230.6		5	5	6	7•	7	7	9•	10•	
9.30	188.2		5	5•	6	7	7	7•	9•	10•	
11.39	153.6		5	6	7	7	7	9•	10•	10•	
13.95	125.4		6	7	7	7	9•	9•	10•	11•	
17.09	102.4		6	7	7	9	9	10•	10•	11•	
20.93	83.6		7	7	7	9	10•	10•	11•	11•	
25.63	68.3		7	7	9	9	10•	10•	11•	12•	
31.39	55.8		TRIPLE	7	9	9	10	10•	11	12•	-
38.44	45.5			9	9	9	10	11	11	-	-
47.08	37.2	9		9	10	11	11	12•	-	-	
57.67	30.4	9		10	10	11	12	-	-	-	
70.62	24.8	10		10	11	12	-	-	-	-	
86.50	20.2	10		11	12	-	-	-	-	-	
105.9	16.5	11		11	12	-	-	-	-	-	
129.7	13.5	11		12	-	-	-	-	-	-	
158.9	11.0	12		-	-	-	-	-	-	-	
194.6	9.0	-		-	-	-	-	-	-	-	

- Cooling Fan Required
- + TEFC-XE Frame, Energy Efficient Motors

FEATURES/BENEFITS PAGE G3-2	SPECIFICATION PAGE G3-4	SELECTION/DIMENSIONS PAGE G3-24	MODIFICATION/ACCESSORIES PAGE G3-32
--------------------------------	----------------------------	------------------------------------	--



EASY SELECTION

MAXUM Concentric Reducers

Table 7: Easy Selection - Separate Reducers 1750 RPM - 2.0 Service Factor

Norm Ratio	Approx Low Speed Shaft RPM	Unit Red.	MAXUM Reducer Size Used with Motor Horsepower of: (With Frame Size References)								
			5	7-1/2	10	15	20	25	30	40	
			(184T)	(213T)	(215T)	(254T)	(256T)	(284T)	(286T)	(324T)	
2.25	777.8	DOUBLE	1	1	1	1	2	2	3	3	
2.75	636.4		1	1	1	1	2	3	3	3	
3.37	519.3		1	1	1	2	2	3	3	4	
4.13	423.7		1	1	1	1	2	2	3	4	
5.06	345.8		1	1	1	2	2	3	3	4	
6.20	282.3		1	1	1	2	2	3	4	4	
7.59	230.6		1	1	1	2	3	3	4	4	
9.30	188.2		1	1	2	2	3	4	4	5	
11.39	153.6		1	1	2	3	3	4	4	5	
13.95	125.4		1	2	2	3	4	4	5	6	
17.09	102.4		1	2	3	3	4	4	5	6	
20.93	83.6		2	2	3	4	4	5	6	7	
25.63	68.3		2	3	3	4	5	6	6	7	
31.39	55.8		TRIPLE	2	3	4	4	6	6	7	7
38.44	45.5			3	3	4	5	6	6	7	9
47.08	37.2	3		4	4	6	6	7	7	9	
57.67	30.4	3		4	5	6	7	7	9	9	
70.62	24.8	4		5	6	6	7	9	9	10	
86.50	20.2	4		6	6	7	9	9	9	10	
105.9	16.5	5		6	6	7	9	9	10	10	
129.7	13.5	6		6	7	9	9	10	10	11	
158.9	11.0	6		7	7	9	10	10	11	12	
194.6	9.0	6		7	9	9	10	11	11	-	

Norm Ratio	Approx Low Speed Shaft RPM	Unit Red.	MAXUM Reducer Size Used with Motor Horsepower of: (With Frame Size References)								
			50	60	75	100	125	150	200	250	
			(326T)	(364T)	(365T)	(405T)	(444T)	(445T)	(447T)	(449T)	
2.25	777.8	DOUBLE	4	4•	5•	6•	-	-	-	-	
2.75	636.4		4	4	5•	6•	-	-	-	-	
3.37	519.3		4	5	6	-	-	-	-	-	
4.13	423.7		4	4•	5•	6•	-	-	-	-	
5.06	345.8		4	5	5•	7	7	7•	7•	9•	
6.20	282.3		5	5	6	7	7	7	9•	10•	
7.59	230.6		5	5	6	7	7	7	9•	10•	
9.30	188.2		5	6	7	7	7	9•	10•	10•	
11.39	153.6		6	7	7	7	9•	9•	10•	11•	
13.95	125.4		6	7	7	9	9	10•	10•	11•	
17.09	102.4		7	7	7	9	10	10•	11•	11•	
20.93	83.6		7	7	9	9	10•	10•	11•	12•	
25.63	68.3		7	9	9	10	10•	11•	12•	-	
31.39	55.8		TRIPLE	9	9	9	10	11	11	12•	-
38.44	45.5			9	9	10	10	11	12	-	-
47.08	37.2	9		10	10	11	12	-	-	-	
57.67	30.4	10		10	11	12	-	-	-	-	
70.62	24.8	10		11	11	-	-	-	-	-	
86.50	20.2	10		11	12	-	-	-	-	-	
105.9	16.5	11		12	-	-	-	-	-	-	
129.7	13.5	12		-	-	-	-	-	-	-	
158.9	11.0	-		-	-	-	-	-	-	-	
194.6	9.0	-		-	-	-	-	-	-	-	

- Cooling Fan Required
- + TEFC-XE Frame, Energy Efficient Motors

FEATURES/BENEFITS PAGE G3-2	SPECIFICATION PAGE G3-4	SELECTION/DIMENSIONS PAGE G3-24	MODIFICATION/ACCESSORIES PAGE G3-32
--------------------------------	----------------------------	------------------------------------	--

EASY SELECTION



MAXUM Concentric Reducer EASY SELECTION METHOD – SCOOP MOUNT MOTORS/REDUCERS

(for 1750 RPM motors)

When to Use Easy Selection

The Easy Selection tables for Scoop Mount Motors/Reducers are for electric motor selections up to 250 HP with constant input speeds of 1750 rpm using AGMA recommended load classifications. For all other motor/prime mover input speeds and horsepower, use the Horsepower/Torque Selection Method on page G3-55 through G3-56.

NOTE: If your application has unusual requirements (i.e., variable speed, excessive shock or over loads, extreme ambient temperatures, non-standard motors or oversized equipment), refer to Horsepower/Torque Selection Method.

How to Select

Step 1: Determine Load Classification – See Table 8 to determine minimum load classification for applications under normal conditions.

NOTE: AGMA classifies scoop mounted motors as gear motor applications which are sized using a load classification in place of a service factor.

Step 2: Determine Unit Size – See tables on pages G3-21 through G3-23. Find the load classification table that is required for the application. Read the unit size under required horsepower and opposite the required low speed shaft RPM. Note: For applications where fan cooling is unacceptable, use an Easy Selection Table with an increased class of service.

Step 3: Check External Thrust and Overhung Load – See information on page G3-56 to calculate high speed and low speed shaft overhung loads.

Step 4: Check Dimensions – See Specification/Dimensions section pages G3-24 through G3-31 for dimensions, weights, and part numbers.

Step 5: Select Accessories – Check matrix for compatibility of combinations of accessories, page G3-32.

Example: Easy Selection Method - SCOOP MOUNT MOTORS/REDUCERS

A 30 horsepower motor is used to drive a metal mill non-reversing table conveyor at 100 rpm operating 12 hours per day. The reducer is coupling connected at both the high speed and low speed shafts and the motor is to be supported by a scoop. A PARA-FLEX coupling is desired.

Step 1: Determine Load Classification - Refer to Table 8 and note that “Metal Mills - Table Conveyors, Non-Reversing” requires a Class III Load Classification for 10+ hours/day service.

Step 2: Determine Unit Size - Turn to the Easy Selection Table 11 for Class III service. Under 30 motor horsepower and opposite 102.4 rpm, locate the MAXUM Size 5 reducer and note the nominal ratio is 17.09:1. Also note that the motor frame size is 286T

Step 3: Check External Thrust and Overhung Loads -

Since the input and output shafts are coupling connected, thrust and overhung loads will not exist. (An overhung load example is given on page G3-57)

Step 4: Check Dimensions and Part Numbers - The dimensions are shown under “Scoop Mount Motor/Reducers with AC motors Sizes 5-9” page G3-55. Part numbers can be found on the DODGE MAXUM Size 5 Specifications/Dimensions page G3-25. The Reducer part number is **299102**.

Step 5: Select Accessories - The accessories are also found on the DODGE MAXUM Size 5 Specifications/Dimensions page G3-25. The Scoop Package part number is **DCS05280P** and includes the scoop, coupling, coupling guard and mounting hardware.

Drive System Vibration

The probability of a constant speed motor operating at resonant frequency is remote. Should this occur, however, the customer must add stiffening supports to the scoop bottom plate to move the resonant frequency away from the motor operating speed.

When mounting variable speed AC or DC motors, consult guidelines on pages G3-79 through G3-80.

CAUTION: The customer is responsible and Reliance Electric expressly disclaims responsibility for isolation the DODGE MAXUM Scoop Mount Motor/Reducer from any vibratory or transient load induced by the motor or the other equipment that is driven by the motor

The MAXUM Scoop Mount Motor/Reducer is expressly not warranted against failure or unsatisfactory operation resulting from dynamic vibrations of any form imposed upon it whether by the drive system in which it is installed or for any other reason, no matter how induced, unless the nature of such vibrations has been fully defined by the customer on the face of its purchase order and explicitly accepted in writing by DODGE.



EASY SELECTION

MAXUM Concentric Reducers LOAD CLASSIFICATIONS

The load classifications that follow are adapted from AGMA 6019-E89 Appendix A. Class numbers are minimums and normal conditions are assumed.

Applications which expose the gear drive to high starting torques, extreme repetitive shock, or where high energy loads must be absorbed as when stalling, require special consideration. Load classifications for these special applications should be agreed upon by the user and DODGE since variations

of the values in the table may be required.

The load classifications in the table are based upon the use of electric motors with characteristics normally used for that application. Should motors with unusually high starting torques or motors designed for intermittent service be used, adjustments in the load classification selected may be required. Consult DODGE.

Table 8: Load Classification For Scoop Mounted Motor/Reducers

APPLICATION	SERVICE		APPLICATION	SERVICE		APPLICATION	SERVICE	
	3-10 Hrs. / Day	10+ Hrs. / Day		3-10 Hrs. / Day	10+ Hrs. / Day		3-10 Hrs. / Day	10+ Hrs. / Day
AGITATORS			Cookers - Cont. Duty	II	II	Briquette Machines	III	III
Paper Mills	II	II	Mash Tubs - Cont. Duty	II	II	Pug Mills	II	II
Pure Liquids	II	II	Scale Hoppers -			COLLECTORS (Sewage)	II	II
Liquids & Solids	II	II	Frequent Starts	II	II	COMPRESSORS		
Liquids - Variable			BRICK PRESS (Clay Working)	III	III	Centrifugal	I	II
Density	II	II	BRIQUETTE MACHINES			Lobe	II	II
APRON CONVEYORS			(Clay Working)	III	III	Reciprocating:		
Uniformly Loaded or Fed	I	II	BUCKET			Multi-Cylinder	II	III
Heavy Duty	II	II	Conveyors Uniform	I	II	Single Cylinder	III	III
ASSEMBLY CONVEYORS			Conveyors Heavy Duty	II	II	CONCRETE MIXERS		
Uniformly Loaded or Fed	I	II	Elevators Cont.	I	II	Continuous	II	II
Heavy Duty	II	II	Elevators Uniform	I	II	Intermittent	II	
BALL MILLS	▲	▲	Elevators Heavy Duty	II	II	CONVERTING MACHINES		
BARGE HAUL PULLERS	II	II	CALENDERS			(Paper)		II
BARKING			Paper (2)		II	CONVEYORS - Uniformly		
Drums		III	Super (Paper) (3)		II	Loaded or Fed: Apron		
Hydraulic Auxiliaries		III	Rubber	II	II	Assembly, Belt		
Mechanical		III	Textile	II	II	Bucket, Chain, Flight		
BAR SCREENS (Sewage)	II	II	CANE KNIVES	II	II	Oven, Screw	I	II
BATCHERS (Textile)	II	II	CAN FILLING MACHINES	II	II	CONVEYORS - Heavy Duty		
BEATERS (Paper)		II	CARD MACHINES (Textile)	II	II	Not Uniformly Fed:		
BELT CONVEYORS			CAR DUMPERS	III	III	Apron, Assembly, Belt		
Uniformly Loaded or Fed	I	II	CAR PULLERS	II	II	Bucket, Chain, Flight		
Heavy Duty	II	II	CEMENT KILNS	▲	▲	Oven, Screw	II	II
BELT FEEDERS	II	II	CENTRIFUGAL			Live Roll (Package)	I	II
BENDING ROLLS (Machine)	II	II	Blowers, Compressors			Reciprocating, Shaker	III	III
BLEACHERS (Paper)		II	Discharge Elevators			COOKERS (Brewing &		
BLOWERS			Fans or Pumps	I	II	Distilling (Food)	II	II
Centrifugal	I	II	CHAIN CONVEYORS			COUCH (Paper)		II
Lobe	II	II	Uniformly Loaded or Fed	I	II	CRANES	†	†
Vane	II	II	Heavy Duty	II	II	CRUSHERS - Ore or Stone	III	III
BOTTLING MACHINERY	I	II	CHEMICAL FEEDERS (Sewage)	II	II	CUTTERS (Paper)		III
BREWING & DISTILLING			CLARIFIERS	I	II	CYLINDERS (Paper)		II
Bottling Machinery	I	II	CLASSIFIERS	II	II	DEWATERING SCREENS (Sewage)	II	II
Brew Kettle, Cont. Duty		II	CLAY WORKING IND.			DISC FEEDERS	I	II
Can Filling Machines	I	II	Brick Press	III	III	DISTILLING (See Brewing)		

† - Consult DODGE

▲ - See Mills, Rotary

FEATURES/BENEFITS PAGE G3-2	SPECIFICATION PAGE G3-4	SELECTION/DIMENSIONS PAGE G3-24	MODIFICATION/ACCESSORIES PAGE G3-32
--------------------------------	----------------------------	------------------------------------	--



EASY SELECTION

MAXUM Concentric Reducers

Table 8: Load Classification For Scoop Mounted Motor/Reducers

APPLICATION	SERVICE		APPLICATION	SERVICE		APPLICATION	SERVICE	
	3-10 Hrs. / Day	10+ Hrs. / Day		3-10 Hrs. / Day	10+ Hrs. / Day		3-10 Hrs. / Day	10+ Hrs. / Day
DOUBLE ACTING PUMPS			FOOD INDUSTRY			Log Hauls - Incline, Well Type	III	III
2 or More Cylinders	II	II	Beet Slicers	II	II	Log Turning Devices	III	III
Single Cylinder	†	†	Bottling, Can Filling Machine	I	II	Planer Feed	II	II
DOUGH MIXER (Food)	II	II	Cereal Cookers	I	II	Planer Tilting Hoists	II	II
DRAW BENCH (Metal Mills)			Dough Mixers	II	II	Rolls - Live - Off		
Carriage & Main Drive	II	II	Meat Grinders	II	II	Bearing - Roll Cases	III	III
DREDGES			FORMING MACHINES (Metal Mills)	III	III	Sorting Table	II	II
Cable Reels	II	II	GENERATORS (Not Welding)	II	II	Tipple Hoist	II	II
Conveyors	II	II	GRAVITY DISCHARGE ELEVATORS	I	II	Transfer - Chain	II	III
Cutter Head Drives	III	III	GRIT COLLECTORS (Sewage)	II	II	Transfer - Craneway	II	III
Jig Drives	III	III	HAMMER MILLS	III	III	Tray Drives	II	II
Maneuvering Winches	II	II	HOISTS	†	†	MACHINE TOOLS		
Pumps	III	III	INDUCED DRAFT FANS	II	II	Auxiliary Drives	I	II
Screen Drives	III	III	JORDANS (Paper)		II	Bending Rolls	II	II
Stackers	II	II	KILNS (Mills, Rotary) Cement	▲	▲	Main Drives	II	II
Utility Winches	II	II	LAUNDRY TUMBLERS	II	II	Notching Press (Belted)	†	†
DRYERS (Paper) (2)			LAUNDRY WASHERS	II	III	Plate Planers	III	III
DRYERS & COOLERS (Mills, Rotary)	▲	▲	LINE SHAFTS			Punch Press (Geared)	III	III
DYEING MACHINERY (Textile)	II	II	Heavy Shock Load	III	III	Tapping Machines	III	III
ELEVATORS			Moderate Shock Load	II	II	MANGLE (Textile)	II	II
Bucket - Uniform Load	I	II	Uniform Load	I	II	MASH TUBS (Brewing & Distilling)	II	II
Bucket - Heavy Duty	II	II	LIVE ROLL CONVEYORS			MEAT GRINDERS (Food)	II	II
Centrifugal Discharge	I	II	Package	I	II	METAL MILLS		
Escalators	I	II	LOBE BLOWERS OR COMPRESSORS	II	II	Draw Bench Carriages & Main Drives	II	II
Freight	II	II	LOG HAULS (Paper & Lumber)	III	III	Forming Machines	III	III
Gravity Discharge	I	II	LOOMS (Textile)	II	II	Pinch, Dryer & Scrubber		
Man Lifts, Passenger	†	†	LUMBER INDUSTRY			Rolls Reversing	†	†
ESCALATORS	I	II	Barkers - Spindle Feed	II	II	Slitters	II	II
FANS			Barkers - Main Drive	III	III	Table Conveyors, Non-Reversing	II	III
Centrifugal	I	II	Carriage Drive	†	†	Reversing	†	†
Cooling Towers	†	†	Conveyors			Wire Drawing & Flattening Machines	II	II
Forced Draft	II	II	Burner	II	II	Wire Winding Machines	II	II
Induced Draft	II	II	Main or Heavy Duty	II	II	MILLS, ROTARY TYPE		
Large (Mine, etc.)	II	II	Main Log	III	III	Ball and Rod		
Large Industrial	II	II	Re-Saw Merry-Go-Round	II	II	Spur Ring Gear	III	III
FEEDERS			Slab	III	III	Helical Ring Gear	II	II
Apron, Belt	II	II	Transfer	II	II	Direct Connected	III	III
Disc	I	II	Chains - Floor	II	II	Cement Kilns	II	II
Reciprocating	III	III	Chains - Green	II	III	Dryers & Coolers	II	II
Screw	II	II	Cut-Off Saws - Chain	II	III	Tumbling Barrels	III	III
FELT			Cut-Off Saws - Drag	II	III	MIXERS (Also see Agitators)		
Stretchers (Paper)		II	Debarking Drums	III	III	Concrete, Continuous	II	II
Whippers (Paper)		III	Feeds - Edger	II	II	Concrete, Intermittent	II	II
FLIGHT			Feeds - Gang	III	III	Constant Density	I	I
Conveyors, Uniform	I	II	Feeds - Trimmer	II	II	Variable Density	II	II
Conveyors, Heavy	II	II	Log Deck	III	III			

† - Consult DODGE

▲ - See Mills, Rotary

FEATURES/BENEFITS PAGE G3-2	SPECIFICATION PAGE G3-4	SELECTION/DIMENSIONS PAGE G3-24	MODIFICATION/ACCESSORIES PAGE G3-32
--------------------------------	----------------------------	------------------------------------	--

EASY SELECTION



MAXUM Concentric Reducers

Table 8: Load Classification For Scoop Mounted Motor/Reducers

APPLICATION	SERVICE		APPLICATION	SERVICE		APPLICATION	SERVICE	
	3-10 Hrs. / Day	10+ Hrs. / Day		3-10 Hrs. / Day	10+ Hrs. / Day		3-10 Hrs. / Day	10+ Hrs. / Day
NAPPERS (Textile)	II	II	Secondary Processing			Rolls; 1 Corrugated Roll	III	III
OIL INDUSTRY			Blow Molders	II	II	Cracker - 2 Corrugated Rolls	III	III
Chillers	II	II	Coating	II	II	Holding, Feed & Blend		
Oil Well Pumping	†	†	Film	II	II	Mill - 2 Rolls	II	II
Paraffin Filter Press	II	II	Pipe	II	II	Refiner-2 Rolls	II	II
Rotary Kilns	II	II	Pre-Plasticizers	II	II	Calenders	II	II
ORE CRUSHERS	III	III	Rods	II	II	SAND MULLERS	II	II
OVEN CONVEYORS			Sheet	II	II	SCREENS		
Uniform	I	I	Tubing	II	II	Air Washing	I	II
Heavy Duty	II	II	PLATE PLANERS	III	III	Rotary - Sand or Gravel	II	II
PAPER MILLS			PRESSES (Paper)			Traveling Water Intake	I	II
Agitators (Mixers)	II	II	PROPORTIONING PUMPS	II	II	SCREW CONVEYORS		
Barker - Auxiliaries - Hyd.		III	PUG MILLS (Clay)	II	II	Uniform	I	I
Barker, Mechanical		III	PULLERS (Barge Haul)	II	II	Heavy Duty or Feeder	II	II
Barking Drum		III	PULP MACHINE REELS		II	SEWAGE DISPOSAL		
Beater		II	PUMPS			Aerators	†	†
Bleacher		II	Centrifugal	I	II	Bar Screens	II	II
Converting Machine -			Proportioning	II	II	Chemical Feeders	II	II
Except Cutters-Platers		II	Reciprocating			Collectors	II	II
Conveyors (Chip, Bark,			"Single Act., 3 or"			Dewatering Screens	II	II
Chemical)		II	More Cyl.	II	II	Grit Collectors	II	II
Couch		II	"Double Act., 2 or"			Scum Breakers	II	II
Cutters, Platers		III	More Cyl.	II	II	Slow or Rapid Mixers	II	II
Cylinders		II	Single Act., 1 or 2 Cyl.	†	†	Sludge Collectors	II	II
Felt Stretchers		II	"Rotary: Gear, Lobe, Vane"	I	II	Thickeners	II	II
Felt Whippers		III	PUNCH PRESSES (Gear Driven)	III	III	Vacuum Filters	II	II
Jordans		II	RECIPROCATING			SHAKER CONVEYORS	III	III
Log Haul		III	"Conveyors, Feeders"	III	III	SHEETERS (Rubber)	II	II
Presses		II	RECIPROCATING			SINGLE ACTING PUMP		
Pulper		III	COMPRESSORS			1 or 2 Cylinders	†	†
Pulp Machine Reels		II	Multi Cylinder	II	III	3 or More Cylinders	II	II
Stock Chests		II	Single Cylinder	III	III	SKIP HOIST	II	II
Suction Rolls		II	REVERSING DIRECTION			SLAB PUSHERS	II	II
Washers & Thickeners		II	APPLICATION	†	†	SLITTERS (Metal)	II	II
Winders		II	ROD MILLS	▲	▲	SLUDGE COLLECTORS (Sewage)	II	II
PASSENGER ELEVATORS	†	†	ROTARY			SOAPERS (Textile)	II	II
PEBBLE MILLS	▲	▲	Pumps: Gear, Lobe, Vane	I	II	SPINNERS (Textile)	II	II
PLASTICS INDUSTRY			Screens (Sand or Gravel)	II	II	STEERING GEARS	†	†
Primary Processing			RUBBER INDUSTRY			STOCK CHESTS (Paper)	II	II
Intensive Internal			Intensive Internal Mixers			STOKERS	I	I
Mixers			Batch Mixers	III	III	STONE CRUSHERS	III	III
Batch Mixers	III	III	Continuous Mixers	II	II	SUCTION ROLLS (Paper)		II
Continuous Mixers	II	II	Mixing Mill			TABLE CONVEYORS (Metal Mills)		
Batch Drop Mill -			2 smooth rolls	II	II	Non-Reversing	II	III
2 Smooth Rolls	II	II	1 or 2 corrugated rolls	III	III	Reversing	†	†
Continuous Feed,			Batch Drop Mill -			TEXTILE INDUSTRY		
Holding & Blend Mill	II	II	2 Smooth Rolls	II	II	Batchers	II	II
Calenders	II	II	Cracker Warmer - 2			Calenders	II	II

† - Consult DODGE

▲ - See Mills, Rotary

FEATURES/BENEFITS PAGE G3-2	SPECIFICATION PAGE G3-4	SELECTION/DIMENSIONS PAGE G3-24	MODIFICATION/ACCESSORIES PAGE G3-32
--------------------------------	----------------------------	------------------------------------	--

EASY SELECTION



MAXUM Concentric Reducers

Table 8: Load Classification For Scoop Mounted Motor/Reducers

APPLICATION	SERVICE	
	3-10 Hrs. / Day	10+ Hrs. / Day
Card Machines	II	II
Cloth Finishing Mach., (Calenders, Dryers, Pads, Tenters, Washers)	II	II
Dry Cans	II	II
Dyeing Machinery	II	II
Knitting Machinery	†	†
Looms, Mangles, Nappers	II	II
Range Drives	†	†
Tenter Frames	II	II
Winders	II	II
Yarn Preparatory Machinery (Cards, Soapers, Spinners, Slashers)	II	II
THICKENERS (Sewage)	II	II
TUMBLING BARRELS	III	III
VACUUM FILTERS (Sewage)	II	II
VANE BLOWERS	II	II
WINCHES (Dredges)	II	II
WINDERS (Paper)		II
(Textile)	II	II
WINDLASS	II	II
WIRE Drawing Machines	II	II
Winding Machines	II	II

Reference: AGMA Standard 6021-G89 (11/89). The table of application class numbers has been developed from the experience of manufacturers and users of gear drives for use in common applications and has been found to be generally satisfactory for the listed industries when gears are rated using AGMA standards. It is recommended that class numbers for special applications be agreed upon by the user and the gear manufacturer when variations of the table may be required. Special conditions can be any special type of prime mover, starting or stopping conditions, system conditions, ambient conditions, lubrication, overloads, overspeeds, brake equipped applications, high inertia and reversing loads.

† - Consult DODGE

▲ - See Mills, Rotary



EASY SELECTION

MAXUM Concentric Reducers

Table 9: Easy Selection - Scoop Mount Motors/Reducers 1750 RPM - Class I Service (1.0 Service Factor) ■

Nom Ratio	Approx Low Speed Shaft RPM	Unit Red.	MAXUM Reducer Size Used with Motor Horsepower of: (With Frame Size References)								
			5	7-1/2	10	15	20	25	30	40	
			(184T)	(213T)	(215T)	(254T)	(256T)	(284T)	(286T)	(324T)	
2.25	777.8	DOUBLE	1	1	1	2	2	3	3	4	
2.75	636.4		1	1	1	2	2	3	3	4	
3.37	519.3		1	1	1	2	2	3	3	4	
4.13	423.7		1	1	1	2	2	3	3	4	
5.06	345.8		1	1	1	2	2	3	3	4	
6.20	282.3		1	1	1	2	2	3	3	4	
7.59	230.6		1	1	1	2	2	3	3	4	
9.30	188.2		1	1	1	2	2	3	3	4	
11.39	153.6		1	1	1	2	2	3	3	4	
13.95	125.4		1	1	1	2	2	3	3	4	
17.09	102.4		1	1	1	2	3	3	3	4	
20.93	83.6		1	1	2	2	3	3	4	4	
25.63	68.3		1	1	2	3	3	4	4	5	
31.39	55.8		TRIPLE	1	2	2	3	4	4	4	6
38.44	45.5			1	2	3	3	4	4	5	6
47.08	37.2	2		2	3	4	4	5	6	6	
57.67	30.4	2		3	3	4	5	6	6	7	
70.62	24.8	2		3	4	5	6	6	6	7	
86.50	20.2	3		4	4	6	6	6	7	9	
105.9	16.5	3		4	5	6	6	7	7	9	
129.7	13.5	4		4	6	6	7	7	9	9	
158.9	11.0	4		5	6	7	7	9	9	10	
194.6	9.0	4		6	6	7	9	9	9	10	

Nom Ratio	Approx Low Speed Shaft RPM	Unit Red.	MAXUM Reducer Size Used with Motor Horsepower of: (With Frame Size References)								
			50	60	75	100	125	150	200	250	
			(326T)	(364T)	(365T)	(405T)	(444T)	(4455T)	(447T)	(449T)	
2.25	777.8	DOUBLE	4	5 •	5 •	-	-	-	-	-	
2.75	636.4		4	5	5 •	-	-	-	-	-	
3.37	519.3		4	5	5 •	-	-	-	-	-	
4.13	423.7		4	5 •	5 •	-	-	-	-	-	
5.06	345.8		4	5	5 •	7	7	7 •	7 •	7 •	
6.20	282.3		4	5	5 •	7	7	7	7 •	7 •	
7.59	230.6		4	5	5 •	7	7	7	7 •	7 •	
9.30	188.2		4	5 •	5 •	7	7	7 •	7 •	7 •	
11.39	153.6		4 •	5 •	5 •	7	7	7 •	7 •	9 •	
13.95	125.4		4 •	5 •	5 •	7	7	7 •	9 •	9 •	
17.09	102.4		4 •	5 •	6 •	7	7 •	7 •	9 •	10 •	
20.93	83.6		5 •	6 •	6 •	7	7 •	9 •	9 •	10 •	
25.63	68.3		6	6 •	7	7	9 •	9 •	10 •	10 •	
31.39	55.8		TRIPLE	6	7	7	9	9	9 •	10 •	11 •
38.44	45.5			6	7	7	9	9 •	10 •	10 •	11 •
47.08	37.2	7		7	9	9	10 •	10 •	11 •	12 •	
57.67	30.4	7		9	9	10 •	10 •	11 •	12 •	-	
70.62	24.8	9		9	9	10 •	11 •	11 •	-	-	
86.50	20.2	9		9	10	10	11	12	-	-	
105.9	16.5	9		10	10	11	12	-	-	-	
129.7	13.5	10		10	11	12	-	-	-	-	
158.9	11.0	10		11	11	-	-	-	-	-	
194.6	9.0	11		11	12	-	-	-	-	-	

- Some reducers selections are oversized to accommodate scoop mounting of motor on reducers
- Cooling fan required
- + TEFC-XE Frame, Energy Efficient Motors

Note: The suggested mounting for motors weighing 700 pounds or more is the MAXUM HD baseplate. See page G3-36

FEATURES/BENEFITS PAGE G3-2	SPECIFICATION PAGE G3-4	SELECTION/DIMENSIONS PAGE G3-24	MODIFICATION/ACCESSORIES PAGE G3-32
--------------------------------	----------------------------	------------------------------------	--



EASY SELECTION

MAXUM Concentric Reducers

Table 10: Easy Selection - Scoop Mount Motors/Reducers 1750 RPM - Class I Service (1.4 Service Factor) ■

Nom Ratio	Approx Low Speed Shaft RPM	Unit Red.	MAXUM Reducer Size Used with Motor Horsepower of: (With Frame Size References)							
			5	7-1/2	10	15	20	25	30	40
			(184T)	(213T)	(215T)	(254T)	(256T)	(284T)	(286T)	(324T)
2.25	777.8	DOUBLE	1	1	1	2	2	3	3	4
2.75	636.4		1	1	1	2	2	3	3	4
3.37	519.3		1	1	1	2	2	3	3	4
4.13	423.7		1	1	1	2	2	3	3	4
5.06	345.8		1	1	1	2	2	3	3	4
6.20	282.3		1	1	1	2	2	3	3	4
7.59	230.6		1	1	1	2	2	3	3	4
9.30	188.2		1	1	1	2	2	3	3	4
11.39	153.6		1	1	1	2	3	3	4	4
13.95	125.4		1	1	2	2	3	4	4	4
17.09	102.4		1	1	2	3	3	4	4	5
20.93	83.6		1	2	2	3	4	4	4	6
25.63	68.3		1	2	3	3	4	5	5	6
31.39	55.8		TRIPLE	2	2	3	4	4	5	6
38.44	45.5	2		3	3	4	5	6	6	7
47.08	37.2	2		3	4	4	6	6	6	7
57.67	30.4	3		3	4	5	6	6	7	9
70.62	24.8	3		4	4	6	6	7	7	9
86.50	20.2	3		4	5	6	7	7	9	9
105.90	16.5	4		5	6	7	7	9	9	10
129.70	13.5	4		6	6	7	9	9	9	10
158.90	11.0	5		6	7	7	9	9	10	10
194.60	9.0	6		6	7	9	9	10	10	11

Nom Ratio	Approx Low Speed Shaft RPM	Unit Red.	MAXUM Reducer Size Used with Motor Horsepower of: (With Frame Size References)							
			50	60	75	100	125	150	200	250
			(326T)	(364T)	(365T)	(405T)	(444T)	(4455T)	(447T)	(449T)
2.25	777.8	DOUBLE	4	5 •	5 •	-	-	-	-	-
2.75	636.4		4	5	5 •	-	-	-	-	-
3.37	519.3		4	5	5 •	-	-	-	-	-
4.13	423.7		4	5 •	5 •	-	-	-	-	-
5.06	345.8		4	5	5 •	7	7	7 •	7 •	7 •
6.20	282.3		4	5	5 •	7	7	7	7 •	9 •
7.59	230.6		4	5	5 •	7	7	7	7 •	9 •
9.30	188.2		4	5 •	5 •	7	7	7 •	9 •	9 •
11.39	153.6		5	5 •	6	7	7	7 •	9 •	10 •
13.95	125.4		5	6	7	7	7	9 •	9 •	10 •
17.09	102.4		6	6	7	7	9 •	9 •	10 •	10 •
20.93	83.6		6	7	7	9 •	9 •	9 •	10 •	11 •
25.63	68.3		6	7	7	9	9 •	10 •	11 •	11 •
31.39	55.8		TRIPLE	7	7	9	9	10 •	10 •	11 •
38.44	45.5	7		9	9	10	10 •	11	12 •	-
47.08	37.2	9		9	9	10 •	11	11 •	12 •	-
57.67	30.4	9		9	10	10 •	11	12 •	-	-
70.62	24.8	9		10	10	11	12	-	-	-
86.50	20.2	10		10	11	12	-	-	-	-
105.90	16.5	10		11	11	-	-	-	-	-
129.70	13.5	11		11	12	-	-	-	-	-
158.90	11.0	11		12	-	-	-	-	-	-
194.60	9.0	12		-	-	-	-	-	-	-

■ Some reducers selections are oversized to accommodate scoop mounting of motor on reducers
 • Cooling fan required + TEFC-XE Frame, Energy Efficient Motors

Note: The suggested mounting for motors weighing 700 pounds or more is the MAXUM HD baseplate. See page G3-36

FEATURES/BENEFITS PAGE G3-2	SPECIFICATION PAGE G3-4	SELECTION/DIMENSIONS PAGE G3-24	MODIFICATION/ACCESSORIES PAGE G3-32
--------------------------------	----------------------------	------------------------------------	--



EASY SELECTION

MAXUM Concentric Reducers

Table 11: Easy Selection - Scoop Mount Motors/Reducers 1750 RPM - Class III Service (2.0 Service Factor) ■

Nom Ratio	Approx Low Speed Shaft RPM	Unit Red.	MAXUM Reducer Size Used with Motor Horsepower of: (With Frame Size References)								
			5	7-1/2	10	15	20	25	30	40	
			(184T)	(213T)	(215T)	(254T)	(256T)	(284T)	(286T)	(324T)	
2.25	777.8	DOUBLE	1	1	1	2	2	3	3	4	
2.75	636.4		1	1	1	2	2	3	3	4	
3.37	519.3		1	1	1	2	2	3	3	4	
4.13	423.7		1	1	1	2	2	3	3	4	
5.06	345.8		1	1	1	2	2	3	3	4	
6.2	282.3		1	1	1	2	2	3	4	4	
7.59	230.6		1	1	1	2	3	3	4	4	
9.3	188.2		1	1	2	2	3	4	4	5	
11.39	153.6		1	1	2	3	3	4	4	5	
13.95	125.4		1	2	2	3	4	4	5	6	
17.09	102.4		1	2	3	3	4	4	5	6	
20.93	83.6		2	2	3	4	4	5	6	7	
25.63	68.3		2	3	3	4	5	6	6	7	
31.39	55.8		TRIPLE	2	3	4	4	6	6	7	7
38.44	45.5			3	3	4	5	6	6	7	9
47.08	37.2	3		4	4	6	6	7	7	9	
57.67	30.4	3		4	5	6	7	7	9	9	
70.62	24.8	4		5	6	6	7	9	9	10	
86.5	20.2	4		6	6	7	9	9	9	10	
105.9	16.5	5		6	6	7	9	9	10	10	
129.7	13.5	6		6	7	9	9	10	10	11	
158.9	11	6		7	7	9	10	10	11	12	
194.6	9	6		7	9	9	10	11	11	-	

Nom Ratio	Approx Low Speed Shaft RPM	Unit Red.	MAXUM Reducer Size Used with Motor Horsepower of: (With Frame Size References)							
			50	60	75	100	125	150	200	250
			(326T)	(364T)	(365T)	(405T)	(444T)	(4455T)	(447T)	(449T)
2.25	777.8	DOUBLE	4	5 •	5 •	-	-	-	-	-
2.75	636.4		4	5	5 •	-	-	-	-	-
3.37	519.3		4	5	6	-	-	-	-	-
4.13	423.7		4	5 •	5 •	-	-	-	-	-
5.06	345.8		4	5	5 •	7	7	7 •	7 •	9 •
6.2	282.3		5	5	6	7	7	7	9 •	10 •
7.59	230.6		5	5	6	7	7	7	9 •	10 •
9.3	188.2		5	6	7	7	7	9 •	10 •	10 •
11.39	153.6		6	7	7	7	9 •	9 •	10 •	11 •
13.95	125.4		6	7	7	9	9	10 •	10 •	11 •
17.09	102.4		7	7	7	9	10	10 •	11 •	11 •
20.93	83.6		7	7	9	9	10 •	10 •	11 •	12 •
25.63	68.3		7	9	9	10	10 •	11 •	12 •	-
31.39	55.8		9	9	9	10	11	11	12 •	-
38.44	45.5		9	9	10	10	11	12	-	-
47.08	37.2	TRIPLE	9	10	10	11	12	-	-	-
57.67	30.4		10	10	11	12	-	-	-	-
70.62	24.8		10	11	11	-	-	-	-	-
86.5	20.2		10	11	12	-	-	-	-	-
105.9	16.5		11	12	-	-	-	-	-	-
129.7	13.5		12	-	-	-	-	-	-	-
158.9	11		-	-	-	-	-	-	-	-
194.6	9		-	-	-	-	-	-	-	-

- Some reducers selections are oversized to accommodate scoop mounting of motor on reducers
- Cooling fan required
- + TEFC-XE Frame, Energy Efficient Motors

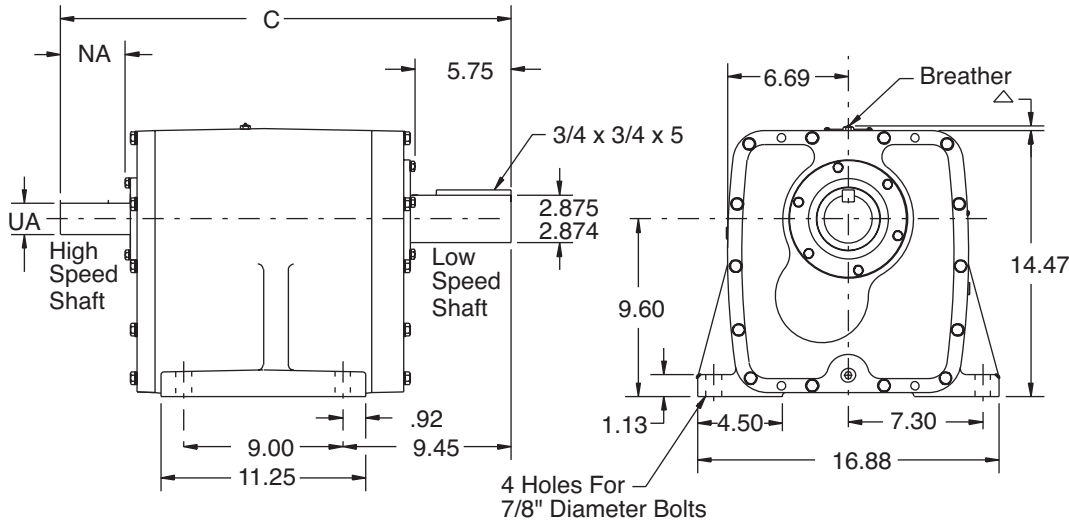
Note: The suggested mounting for motors weighing 700 pounds or more is the MAXUM HD baseplate. See page G3-36

FEATURES/BENEFITS PAGE G3-2	SPECIFICATION PAGE G3-4	SELECTION/DIMENSIONS PAGE G3-24	MODIFICATION/ACCESSORIES PAGE G3-32
--------------------------------	----------------------------	------------------------------------	--



SELECTION/DIMENSIONS

MAXUM Concentric Reducers Size 4



△ 1-1/2" will clear breather on all size units.

Size 4	C	NA	NA (with fan)	UA	Key	Weight (lbs.)
Double Reduction	25.47	3.50	1.78	1.625/1.624	3/8 x 3/8 x 2-1/2	330
Triple Reduction	25.47	3.50	-	1.625/1.624	3/8 x 3/8 x 2-1/2	330

Size 4 Part Numbers

	Nominal Ratio	Separate Reducer †
D O U B L E	DCR4 - 2.25	299069
	DCR4 - 2.75	299070
	DCR4 - 3.37	299071
	DCR4 - 4.13	299072
	DCR4 - 5.06	299073
	DCR4 - 6.2	299074
	DCR4 - 7.59	299075
	DCR4 - 9.3	299076
	DCR4 - 11.39	299077
	DCR4 - 13.95	299078
T R I P L E	DCR4 - 17.09	299079
	DCR4 - 20.93	299080
	DCR4 - 25.63	299081
	TCR4 - 31.39	299082
	TCR4 - 38.44	299083
	TCR4 - 47.08	299084
	TCR4 - 57.67	299085
	TCR4 - 70.62	299086
	TCR4 - 86.5	299087
	TCR4 - 105.9	299088
TCR4 - 129.7	299089	
TCR4 - 158.9	299090	
TCR4 - 194.6	299091	

† Suitable for backstop mounting
See page G3-34 for dimensions

Size 4 Scoop Part Numbers

	NEMA AC-Motor Frame	Scoop Package PARA-FLEX Cplg.	Scoop Package GRID-LIGN Cplg.	Scoop Package Weights PARA/GRID
D O U B L E	143T, 145T	DCS04140P	DCS04140G	134/132
	182T, 184T	DCS04180P	DCS04180G	138/132
	213T, 215T	DCS04210P	DCS04210G	138/132
	254T, 256T	DCS04250P	DCS04250G	143/137
	284T, 286T	DCS04280P	DCS04280G	167/158
	324T, 326T	DCS04320P	DCS04320G	174/170
T R I P L E	143T, 145T	TCS04140P	TCS04140G	134/132
	182T, 184T	TCS04180P	TCS04180G	138/132
	213T, 215T	TCS04210P	TCS04210G	138/132
	254T, 256T	TCS04250P	TCS04250G	143/137
	284T, 286T	TCS04280P	TCS04280G	167/158

* Scoop package includes scoop, coupling, coupling guard, and mounting hardware.

Size 4 Accessories* ■

Description	Part Number	Weight (lbs)
AUXILIARY SEAL KIT	300302	3
BACKSTOP (13.95-194.6)+	299375	28
COOLING FAN	299520	6
SLIDE BASE	304630	95
TOP MOTOR MOUNT	299530	107

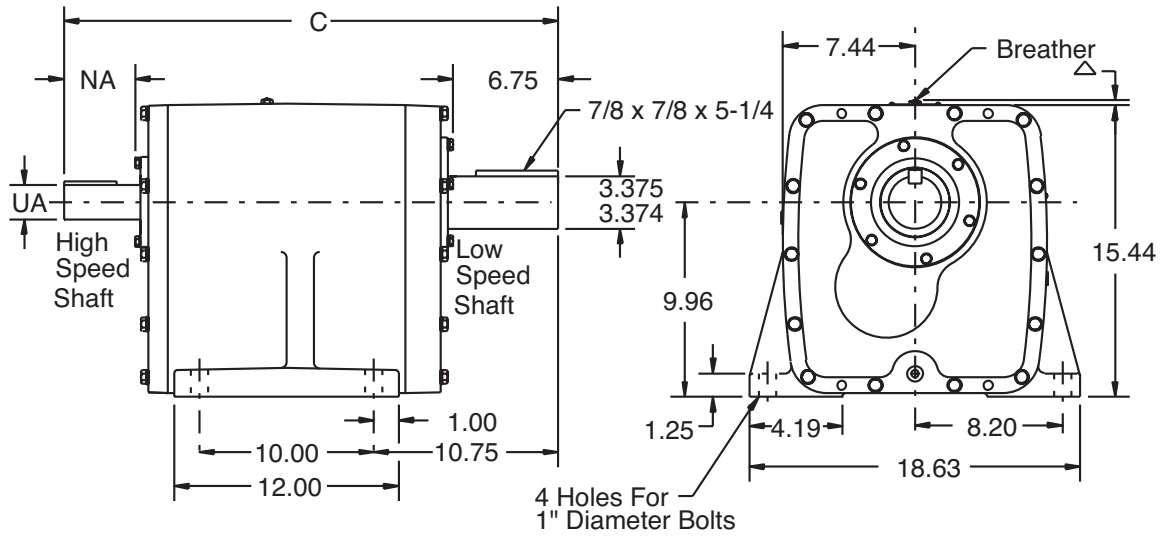
* Baseplates refer to pages G3-37 and G3-38.

■ Refer to Table 12, page G3-32 for compatibility of various combinations of reducers and accessories.

+ For backstops on ratios not listed, consult DODGE



MAXUM Concentric Reducers Size 5



△ 1-1/2" will clear breather on all size units.

Size 5	C	NA	NA (with fan)	UA	Key	Weight (lbs.)
Double Reduction	29.14	4.51	2.69	2.125/2.124	1/2 x 1/2 x 3-3/8	420
Triple Reduction	28.05	3.42	-	1.625/1.624	3/8 x 3/8 x 2-1/2	450

Size 5 Part Numbers

	Nominal Ratio	Separate Reducer †
D O U B L E	DCR5 - 2.25	299092
	DCR5 - 2.75	299093
	DCR5 - 3.37	299094
	DCR5 - 4.13	299095
	DCR5 - 5.06	299096
	DCR5 - 6.2	299097
	DCR5 - 7.59	299098
	DCR5 - 9.3	299099
	DCR5 - 11.39	299100
	DCR5 - 13.95	299101
	DCR5 - 17.09	299102
	DCR5 - 20.93	299103
	DCR5 - 25.63	299104
T R I P L E	TCR5 - 31.39	299105
	TCR5 - 38.44	299106
	TCR5 - 47.08	299107
	TCR5 - 57.67	299108
	TCR5 - 70.62	299109
	TCR5 - 86.5	299110
	TCR5 - 105.9	299111
	TCR5 - 129.7	299112
	TCR5 - 158.9	299113
TCR5 - 194.6	299114	

† Suitable for backstop mounting
See page G3-34 for dimensions

Size 5 Scoop Part Numbers ■

	NEMA AC-Motor Frame	Scoop Package	Scoop Package	Scoop Package
		PARA-FLEX Cplg.	GRID-LIGN Cplg.	Weights PARA/GRID
D O U B L E	213T, 215T	DCS05210P	DCS05210G	187/183
	254T, 256T	DCS05250P	DCS05250G	187/183
	284T, 286T	DCS05280P	DCS05280G	195/191
	324T, 326T	DCS05320P	DCS05320G	195/191
	364T, 365T	DCS05360P	DCS05360G	204/197
T R I P L E	143T, 145T	TCS05140P	TCS05140G	170/168
	182T, 184T	TCS05180P	TCS05180G	174/168
	213T, 215T	TCS05210P	TCS05210G	174/168
	254T, 256T	TCS05250P	TCS05250G	179/173
	284T, 286T	TCS05280P	TCS05280G	187/177

*Scoop package includes scoop, coupling, coupling guard, and mounting hardware.

Size 5 Accessories* ■

Description	Part Number	Weight (lbs)
AUXILIARY SEALS (2.25-25.63)	300906	4
AUXILIARY SEALS (31.39-194.6)	300903	4
BACKSTOP (9.30-194.6)+	299377	28
COOLING FAN	299521	9
HEAT EXCHANGER	014148	55
SLIDE BASE	304631	100
TOP MOTOR MOUNT	299531	149

* Baseplates refer to pages G3-37 and G3-38.

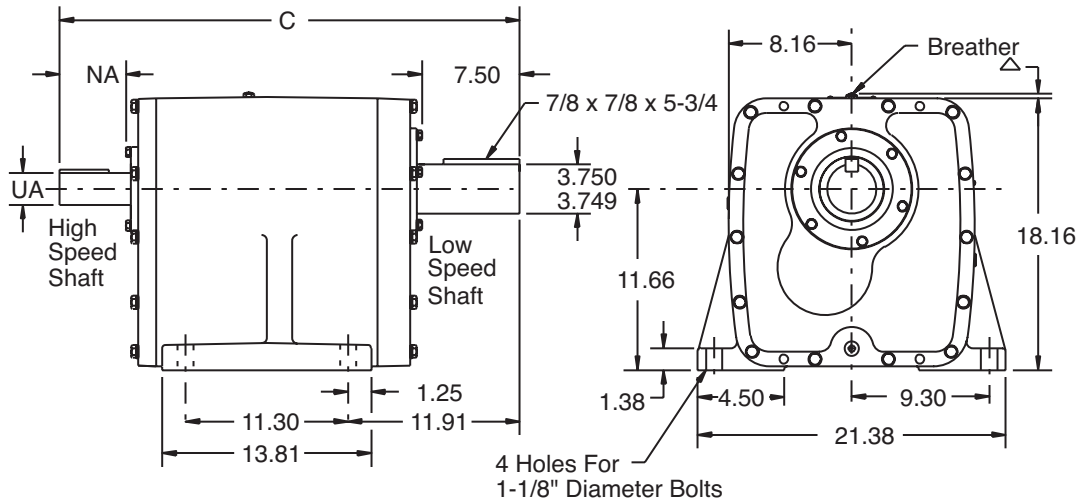
■ Refer to Table 12, page G3-32 for compatibility of various combinations of reducers and accessories.

+ For backstops on ratios not listed, consult DODGE



SELECTION/DIMENSIONS

MAXUM Concentric Reducers Size 6



△ 1-1/2" will clear breather on all size units.

Size 6	C	NA	NA (with fan)	UA	Key	Weight (lbs.)
Double Reduction	31.44	4.51	2.69	2.125/2.124	1/2 x 1/2 x 3-3/8	600
Triple Reduction	30.36	3.42	-	1.625/1.624	3/8 x 3/8 x 2-1/2	630

Size 6 Part Numbers

	Nominal Ratio	Separate Reducer †
D O U B L E	DCR6 - 2.25	299115
	DCR6 - 2.75	299116
	DCR6 - 3.37	299117
	DCR6 - 4.13	299118
	DCR6 - 5.06	299119
	DCR6 - 6.2	299120
	DCR6 - 7.59	299121
	DCR6 - 9.3	299122
	DCR6 - 11.39	299123
	DCR6 - 13.95	299124
	DCR6 - 17.09	299125
	DCR6 - 20.93	299126
DCR6 - 25.63	299127	
T R I P L E	TCR6 - 31.39	299128
	TCR6 - 38.44	299129
	TCR6 - 47.08	299130
	TCR6 - 57.67	299131
	TCR6 - 70.62	299132
	TCR6 - 86.5	299133
	TCR6 - 105.9	299134
	TCR6 - 129.7	299135
	TCR6 - 158.9	299136
	TCR6 - 194.6	299137

† Suitable for backstop mounting
See page G3-34 for dimensions

Size 6 Scoop Numbers ■

	NEMA A-C Motor Frame	Scoop Package PARA-FLEX Cplg	Scoop Package GRID-LIGN Cplg	Scoop Package Weights PARA/GRID
D O U B L E	213T, 215T	DCS06210P	DCS06210G	198/200
	254T, 256T	DCS06250P	DCS06250G	198/200
	284T, 286T	DCS06280P	DCS06280G	206/208
	324T, 326T	DCS06320P	DCS06320G	206/208
	364T, 365T	DCS06360P	DCS06360G	215/208
T R I P L E	182T, 184T	TCS06180P	TCS06180G	185/179
	213T, 215T	TCS06210P	TCS06210G	185/179
	254T, 256T	TCS06250P	TCS06250G	190/184
	284T, 286T	TCS06280P	TCS06280G	197/188
	324T, 326T	TCS06320P	TCS06320G	204/200
	364T, 365T	TCS06360P	TCS06360G	218/211

* Scoop package includes scoop, coupling, coupling guard, and mounting hardware.

Size 6 Accessories* ■

Description	Part Number	Weight (lbs)
AUXILIARY SEALS (2.25-25.63)	300904	5
AUXILIARY SEALS (31.39-194.6)	301204	5
BACKSTOP (13.95-194.6)+	299377	28
COOLING FAN	299522	10
HEAT EXCHANGER	014148	55
SLIDE BASE	304632	112
TOP MOTOR MOUNT	299531	149

* Baseplates refer to pages G3-37 and G3-38.

■ Refer to Table 12, page G3-32 for compatibility of various combinations of reducers and accessories.

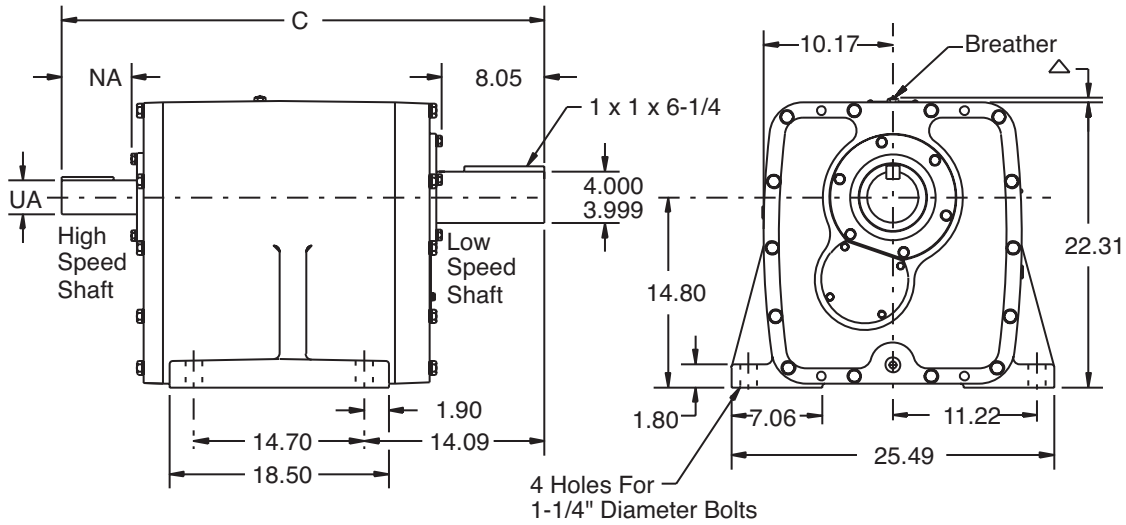
+ For backstops on ratios not listed, consult DODGE

FEATURES/BENEFITS PAGE G3-2	SPECIFICATION PAGE G3-4	EASY SELECTION PAGE G3-6	MODIFICATION/ACCESSORIES PAGE G3-32
--------------------------------	----------------------------	-----------------------------	--

SELECTION/DIMENSIONS



MAXUM Concentric Reducers Size 7



△ 1-1/2" will clear breather on all size units.

Size 7	C	NA	NA (with fan)	UA	Key	Weight (lbs.)
Double Reduction	39.06	5.41	3.75	2.625/2.624	5/8 x 5/8 x 4-1/4	1180
Triple Reduction	37.64	3.77	-	1.875/1.874	1/2 x 1/2 x 2-1/2	1220

Size 7 Part Numbers

Nominal Ratio		Separate Reducer	Backstop (1) (2) Reducer
D O U B L E	DCR7 - 5.06	299138	303100
	DCR7 - 6.2	299139	303101
	DCR7 - 7.59	299140	303102
	DCR7 - 9.3	299141	303103
	DCR7 - 11.39	299142	303104
	DCR7 - 13.95	299143	303105
	DCR7 - 17.09	299144	303106
	DCR7 - 20.93	299145	303107
T R I P L E	DCR7 - 25.63	299146	303108
	TCR7 - 31.39	299147	303109
	TCR7 - 38.44	299148	303110
	TCR7 - 47.08	299149	303111
	TCR7 - 57.67	299150	303112
	TCR7 - 70.62	299151	303113
	TCR7 - 86.5	299152	303114
	TCR7 - 105.9	299153	303115
	TCR7 - 129.7	299154	303116
	TCR7 - 158.9	299155	303117
TCR7 - 194.6	299156	303118	

(1) Backstop dimensions page G3-34.

(2) Reducer includes extended high speed shaft for external backstop. External backstop assembly not included, see accessories.

Size 7 Scoop Part Number n

NEMA A-C Motor Frame	Scoop Package PARA-FLEX Cplg.	Scoop Package GRID-LIGN Cplg.	Scoop Package Weights	
			PARA/GRID	
D O U B L E	254T, 256T	DCS07250P	DCS07250G	253/246
	284T, 286T	DCS07280P	DCS07280G	253/246
	324T, 326T	DCS07320P	DCS07320G	253/246
	364T, 365T	DCS07360P	DCS07360G	253/246
	404T, 405T	DCS07400P	DCS07400G	356/321
	444T, 445T	DCS07440P	DCS07440G	436/341
T R I P L E	213T, 215T	TCS07210P	TCS07210G	230/221
	254T, 256T	TCS07250P	TCS07250G	230/221
	284T, 286T	TCS07280P	TCS07280G	243/234
	324T, 326T	TCS07320P	TCS07320G	243/234
	364T, 365T	TCS07360P	TCS07360G	252/245

* Scoop package includes scoop, coupling, coupling guard, and mounting hardware.

Size 7 Accessories* ■

Description	Part Number	Weight (lbs)
AUXILIARY SEAL KIT	301504	6
BACKSTOP (5.06-25.63)	299379	25
BACKSTOP (31.39-194.6)	299380	16
COOLING FAN	299523	16
HEAT EXCHANGER	014148	55
SLIDE BASE	304633	245
TOP MOTOR MOUNT	299532	257

* Baseplates refer to pages G3-37 and G3-38.

■ Refer to Table 12, page G3-32 for compatibility of various combinations of reducers and accessories.

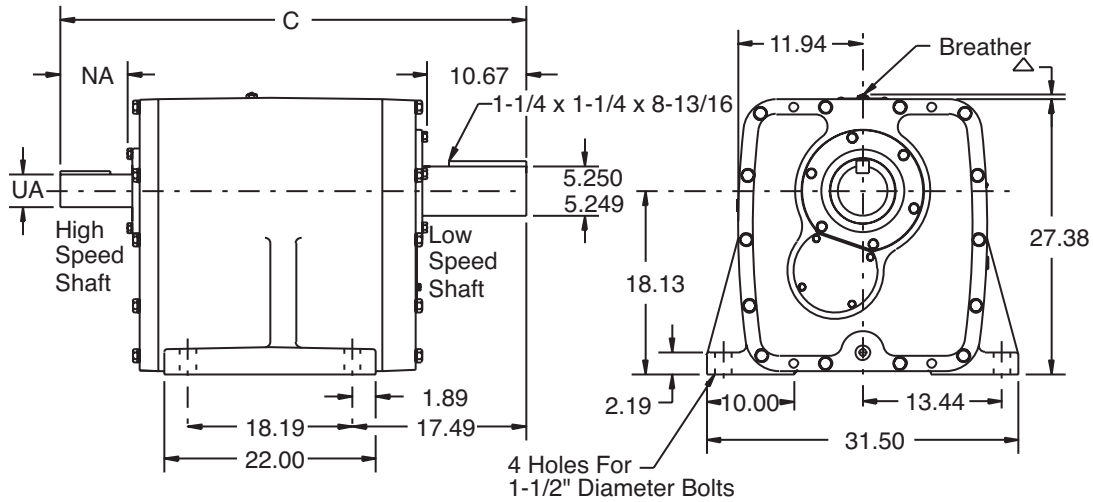
+ For backstops on ratios not listed, consult DODGE

FEATURES/BENEFITS PAGE G3-2	SPECIFICATION PAGE G3-4	EASY SELECTION PAGE G3-6	MODIFICATION/ACCESSORIES PAGE G3-32
--------------------------------	----------------------------	-----------------------------	--



SELECTION/DIMENSIONS

MAXUM Concentric Reducers Size 9



△ 1-1/2" will clear breather on all size units.

Size 9	C	NA	NA (with fan)	UA	Key	Weight (lbs.)
Double Reduction	47.39	6.25	3.75	3.000/2.999	3/4 x 3/4 x 4-7/8	2160
Triple Reduction	45.70	4.23	-	2.125/2.124	1/2 x 1/2 x 3-3/8	2240

Size 9 Part Numbers

	Nominal Ratio	Separate Reducer	Backstop (1) (2) Reducer
D O U B L E	DCR9 - 5.06	299176	303138
	DCR9 - 6.2	299177	303139
	DCR9 - 7.59	299178	303140
	DCR9 - 9.3	299179	303141
	DCR9 - 11.39	299180	303142
	DCR9 - 13.95	299181	303143
	DCR9 - 17.09	299182	303144
	DCR9 - 20.93	299183	303145
	DCR9 - 25.63	299184	303146
T R I P L E	TCR9 - 31.39	299185	303147
	TCR9 - 38.44	299186	303148
	TCR9 - 47.08	299187	303149
	TCR9 - 57.67	299188	303150
	TCR9 - 70.62	299189	303151
	TCR9 - 86.5	299190	303152
	TCR9 - 105.9	299191	303153
	TCR9 - 129.7	299192	303154
	TCR9 - 158.9	299193	303155
TCR9 - 194.6	299194	303156	

(1) Backstop dimensions page G3-34.

(2) Reducer includes extended high speed shaft for external backstop. External backstop assembly not included, see accessories.

Size 9 Scoop Part Numbers ■

	NEMA A-C Motor Frame	Scoop Package PARA-FLEX Cplg	Scoop Package GRID-LIGN Cplg	Scoop Pkg. Weights PARA/GRID
D O U B L E	324T, 326T	DCS09320P	DCS09320G	362/327
	364T, 365T	DCS09360P	DCS09360G	363/327
	404T, 405T	DCS09400P	DCS09400G	418/382
	444T, 445T	DCS09440P	DCS09440G	500/405
T R I P L E	254T, 256T	TCS09250P	TCS09250G	294/290
	284T, 286T	TCS09280P	TCS09280G	294/290
	324T, 326T	TCS09320P	TCS09320G	305/301
	364T, 365T	TCS09360P	TCS09360G	314/307
	404T, 405T	TCS09400P	TCS09400G	415/380
	444T, 445T	TCS09440P	TCS09440G	498/403

* Scoop package includes scoop, coupling, coupling guard, and mounting hardware.

Size 9 Accessories* ■

Description	Part Number	Weight (lbs)
AUXILIARY SEAL KIT	302104	8
BACKSTOP (5.06-11.39)	299384	55
BACKSTOP (13.95-25.63)	299385	31
BACKSTOP (31.39-194.6)	299386	25
COOLING FAN	299525	20
HEAT EXCHANGER	014148	55
SLIDE BASE	304635	300
TOP MOTOR MOUNT	299534	278

* Baseplates refer to pages G3-37 and G3-38.

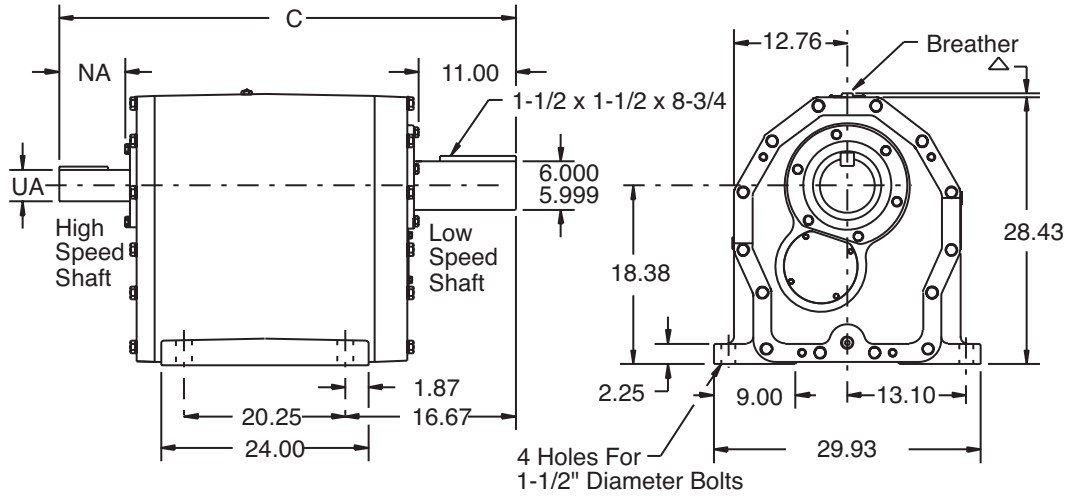
■ Refer to Table 12, page G3-32 for compatibility of various combinations of reducers and accessories.

FEATURES/BENEFITS PAGE G3-2	SPECIFICATION PAGE G3-4	EASY SELECTION PAGE G3-6	MODIFICATION/ACCESSORIES PAGE G3-32
--------------------------------	----------------------------	-----------------------------	--

SELECTION/DIMENSIONS



MAXUM Concentric Reducers Size 10



△ 1-1/2" will clear breather on all size units.

Size 10	C	NA	NA (with fan)	UA	Key	Weight (lbs.)
Double Reduction	48.20	6.31	3.75	3.500/3.499	7/8 x 7/8 x 4-7/8	2420
Triple (31.39-70.62)	48.22	5.90	3.75	2.375/2.374	5/8 x 5/8 x 4-15/16	2550
Triple (86.50-194.6)	47.09	4.78	2.64	2.375/2.374	5/8 x 5/8 x 3-3/4	2550

Size 10 Part Numbers

Nominal Ratio		Separate Reducer	Backstop (1) (2) Reducer
D O U B L E	DCR10 - 5.06	299195	303157
	DCR10 - 6.2	299196	303158
	DCR10 - 7.59	299197	303159
	DCR10 - 9.3	299198	303160
	DCR10 - 11.39	299199	303161
	DCR10 - 13.95	299200	303162
	DCR10 - 17.09	299201	303163
	DCR10 - 20.93	299202	303164
DCR10 - 25.63	299203	303165	
T R I P L E	TCR10 - 31.39	299204	303166
	TCR10 - 38.44	299205	303167
	TCR10 - 47.08	299206	303168
	TCR10 - 57.67	299207	303169
	TCR10 - 70.62	299208	303170
	TCR10 - 86.5	299209	303171
	TCR10 - 105.9	299210	303172
	TCR10 - 129.7	299211	303173
	TCR10 - 158.9	299212	303174
	TCR10 - 194.6	299213	303175

(1) Backstop dimensions page G3-34.

(2) Reducer includes extended high speed shaft for external backstop. External backstop assembly not included, see accessories.

Size 10 Scoop Part Numbers ■

NEMA A-C Motor Frame		Scoop Package PARA-FLEX Cplg.	Scoop Package GRID-LIGN Cplg.	Scoop Package Weights GRID-LIGN
D O U B L E	364T, 365T	DCS10360P	DCS10360G	467/372
	404T, 405T	DCS10400P	DCS10400G	509/414
	444T, 445T	DCS10440P	DCS10440G	518/423
T R I P L E	254T, 256T	TCS10250P	TCS10250G	317/310
	284T, 286T	TCS10280P	TCS10280G	317/310
	324T, 326T	TCS10320P	TCS10320G	336/330
	364T, 365T	TCS10360P	TCS10360G	336/330
	404T, 405T	TCS10400P	TCS10400G	432/397
	444T, 445T	TCS10440P	TCS10440G	518/423

* Scoop package includes scoop, coupling, coupling guard, and mounting hardware.

Size 10 Accessories* ■

Description	Part Number	Weight (lbs)
AUXILIARY SEAL KIT	302408	9
BACKSTOP (5.06-11.39)	299387	57
BACKSTOP (13.95-70.62)	299388	33
BACKSTOP (86.50-194.6)	299389	27
COOLING FAN (5.06-25.63)	299526	23
COOLING FAN (31.39-194.6)	299842	23
HEAT EXCHANGER	014148	55
SLIDE BASE	304636	370
TOP MOTOR MOUNT	299535	283

* Baseplates refer to pages G3-37 and G3-38.

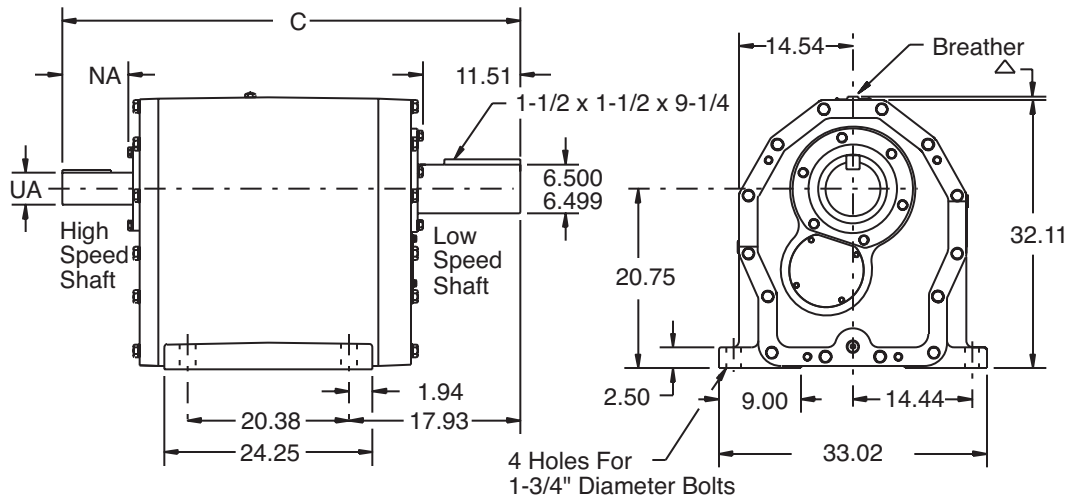
■ Refer to Table 12, page G3-32 for compatibility of various combinations of reducers and accessories.

FEATURES/BENEFITS PAGE G3-2	SPECIFICATION PAGE G3-4	EASY SELECTION PAGE G3-6	MODIFICATION/ACCESSORIES PAGE G3-32
--------------------------------	----------------------------	-----------------------------	--



SELECTION/DIMENSIONS

MAXUM Concentric Reducers Size 11



△ 1-1/2" will clear breather on all size units.

Size 11	C	NA	NA (with fan)	UA	Key	Weight (lbs.)
Double Reduction	49.84	5.33	3.75	3.750/3.749	7/8 x 7/8 x 4-1/2	3240
Triple (31.39-70.62)	49.84	5.37	3.75	2.375/2.374	5/8 x 5/8 x 4-15/16	3400
Triple (86.50-194.6)	48.65	4.18	2.53	2.375/2.374	5/8 x 5/8 x 3-3/4	3400

Size 11 Part Numbers

	Nominal Ratio	Separate Reducer	Backstop (1) (2) Reducer
D O U B L E	DCR11 - 5.06	299214	303176
	DCR11 - 6.2	299215	303177
	DCR11 - 7.59	299216	303178
	DCR11 - 9.3	299217	303179
	DCR11 - 11.39	299218	303180
	DCR11 - 13.95	299219	303181
	DCR11 - 17.09	299220	303182
	DCR11 - 20.93	299221	303183
	DCR11 - 25.63	299222	303184
T R I P L E	TCR11 - 31.39	299223	303185
	TCR11 - 38.44	299224	303186
	TCR11 - 47.08	299225	303187
	TCR11 - 57.67	299226	303188
	TCR11 - 70.62	299227	303189
	TCR11 - 86.5	299228	303190
	TCR11 - 105.9	299229	303191
	TCR11 - 129.7	299230	303192
	TCR11 - 158.9	299231	303193
	TCR11 - 194.6	299232	303194

- (1) Backstop dimensions page G3-34.
 (2) Reducer includes extended high speed shaft for external backstop. External backstop assembly not included, see accessories.

Size 11 Scoop Part Numbers n

NEMA A-C Motor Frame		Scoop Package PARA-FLEX Cplg.	Scoop Package GRID-LIGN Cplg.	Scoop Package Weights PARA-GRID
DOUBLE	364T, 365T	DCS11360P	DCS11360G	490/395
	404T, 405T	DCS11400P	DCS11400G	537/442
	444T, 445T	DCS11440P	DCS11440G	550/455
TRIPLE	284T, 286T	TCS11280P	TCS11280G	364/357
	324T, 326T	TCS11320P	TCS11320G	364/357
	364T, 365T	TCS11360P	TCS11360G	364/357
	404T, 405T	TCS11400P	TCS11400G	459/423
	444T, 445T	TCS11440P	TCS11440G	544/449

* Scoop package includes scoop, coupling, coupling guard, and mounting hardware.

Size 11 Accessories* ■

Description	Part Number	Weight (lbs)
AUXILIARY SEAL KIT	302711	11
BACKSTOP (5.06-11.39)	299390	101
BACKSTOP (13.95-25.63)	299391	59
BACKSTOP (31.39-70.62)	299392	36
BACKSTOP (86.50-194.6)	299845	30
COOLING FAN (5.06-25.63)	299527	27
COOLING FAN (31.39-194.6)	299843	27
HEAT EXCHANGER	014148	55
SLIDE BASE	304637	380
TOP MOTOR MOUNT	299536	289

* Baseplates refer to pages G3-37 and G3-38.

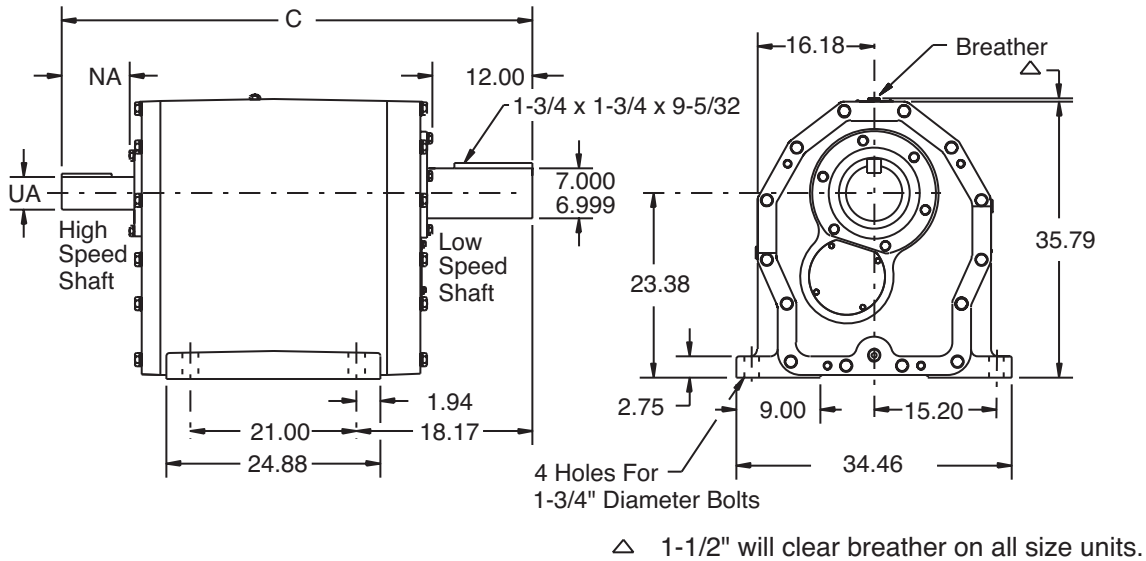
■ Refer to Table 12, page G3-32 for compatibility of various combinations of reducers and accessories.

FEATURES/BENEFITS PAGE G3-2	SPECIFICATION PAGE G3-4	EASY SELECTION PAGE G3-6	MODIFICATION/ACCESSORIES PAGE G3-32
--------------------------------	----------------------------	-----------------------------	--

SELECTION/DIMENSIONS



MAXUM Concentric Reducers Size 12



Size 12	C	NA	NA (with fan)	UA	Key	Weight (lbs.)
Double Reduction	50.41	5.33	3.75	3.750/3.749	7/8 x 7/8 x 4-1/2	4000
Triple (31.39-70.62)	50.41	5.37	3.75	2.375/2.374	5/8 x 5/8 x 4-15/16	4200
Triple (86.50-194.6)	49.22	4.18	2.56	2.375/2.374	5/8 x 5/8 x 3-3/4	4200

Size 12 Part Numbers

	Nominal Ratio	Separate Reducer	Backstop (1) (2) Reducer
D O U B L E	DCR12 - 5.06	299233	-
	DCR12 - 6.2	299234	303196
	DCR12 - 7.59	299235	303197
	DCR12 - 9.3	299236	303198
	DCR12 - 11.39	299237	303199
	DCR12 - 13.95	299238	303200
	DCR12 - 17.09	299239	303201
	DCR12 - 20.93	299240	303202
	DCR12 - 25.63	299241	303203
	TCR12 - 31.39	299242	303204
	TCR12 - 38.44	299243	303205
	TCR12 - 47.08	299244	303206
T R I P L E	TCR12 - 57.67	299245	303207
	TCR12 - 70.62	299246	303208
	TCR12 - 86.5	299247	303209
	TCR12 - 105.9	299248	303210
	TCR12 - 129.7	299249	303211
	TCR12 - 158.9	299250	303212
	TCR12 - 194.6	299251	303213

(1) Backstop dimensions page G3-34.

(2) Reducer includes extended high speed shaft for external backstop. External backstop assembly not included, see accessories.

Size 12 Scoop Part Numbers n

NEMA A-C Motor Frame		Scoop Package PARA-FLEX Cplg.	Scoop Package GRID-LIGN Cplg.	Scoop Package Weights PARA-GRID
DOUBLE	364T, 365T	DCS12360P	DCS12360G	505/410
	404T, 405T	DCS12400P	DCS12400G	552/457
	444T, 445T	DCS12440P	DCS12440G	565/470
TRIPLE	284T, 286T	TCS12280P	TCS12280G	379/372
	324T, 326T	TCS12320P	TCS12320G	379/372
	364T, 365T	TCS12360P	TCS12360G	379/372
	404T, 405T	TCS12400P	TCS12400G	474/438
	444T, 445T	TCS12440P	TCS12440G	559/464

* Scoop package includes scoop, coupling, coupling guard, and mounting hardware.

Size 12 Accessories* ■

Description	Part Number	Weight (lbs)
	AUXILIARY SEAL KIT	302713
BACKSTOP (6.20-11.39)	299393	103
BACKSTOP (13.95-25.63)	299394	61
BACKSTOP (31.39-70.62)	299395	38
BACKSTOP (86.50-194.6)	299846	32
COOLING FAN (5.06-25.63)	299528	31
COOLING FAN (31.39-194.6)	299844	31
HEAT EXCHANGER	014148	55
SLIDE BASE	304638	410
TOP MOTOR MOUNT	299537	301

* Baseplates refer to pages G3-37 and G3-38.

■ Refer to Table 12, page G3-32 for compatibility of various combinations of reducers and accessories.

FEATURES/BENEFITS PAGE G3-2	SPECIFICATION PAGE G3-4	EASY SELECTION PAGE G3-6	MODIFICATION/ACCESSORIES PAGE G3-32
--------------------------------	----------------------------	-----------------------------	--

MODIFICATIONS/ACCESSORIES



MAXUM Concentric Reducer

Table 12: Accessory Compatibility For Combinations Of MAXUM Reducers And Accessories ▲

REDUCER		ACCESSORIES				
SIZE	CONFIGURATION	AUX. SEAL	BACKSTOP	COOLING FAN	BS. & C.F.	SLIDE BASE
4	SEPARATE	YES	YES	YES	*	YES
	SCOOP MOUNT	YES	YES**	YES**	*	YES
	BASEPLATE	YES	YES	YES	*	YES*
	TOP MOUNT	YES	YES	*	*	YES
REDUCER		ACCESSORIES				
SIZE	CONFIGURATION	AUX. SEAL	BACKSTOP	COOLING FAN	BS. & C.F.	SLIDE BASE
5	SEPARATE	YES	YES	YES 1	*	YES
	SCOOP MOUNT	YES	YES**	YES**1	*	YES
	BASEPLATE	YES	YES	YES 1	*	YES*
	TOP MOUNT	YES	YES	*	*	YES
REDUCER		ACCESSORIES				
SIZE	CONFIGURATION	AUX. SEAL	BACKSTOP	COOLING FAN	BS. & C.F.	SLIDE BASE
6	SEPARATE	YES	YES	YES 1	*	YES
	SCOOP MOUNT	YES	YES**	YES**1	*	YES
	BASEPLATE	YES	YES	YES 1	*	YES*
	TOP MOUNT	YES	YES	*	*	YES

▲ Consult DODGE for combinations not listed

* Consult DODGE, made-to-order accessory combination

YES Stock accessory combination is compatible

** Non-stock coupling guard required

1 Standard cooling fan compatible only with these reducer sizes and ratios:
MAXUM 5 and 6, 2.25 - 25.63
Contact DODGE for other ratios."



MODIFICATIONS/ACCESSORIES

MAXUM Concentric Reducer

Table 12: Accessory Compatibility For Combinations of MAXUM Reducers and Accessories ▲

Reducer		Accessories				
Size	Configuration	Aux. Seal	Back-stop	Cooling Fan	BS & C.F.	Slide Base
7	Separate	Yes	Yes	Yes1	*	Yes
	Scoop Mount	Yes	Yes **	Yes ** 1	*	Yes
	Baseplate	Yes	Yes	Yes 1	*	Yes *
	Top Mount	Yes	*	*	*	Yes

Reducer		Accessories				
Size	Configuration	Aux. Seal	Back-stop	Cooling Fan	BS & C.F.	Slide Base
11	Separate	Yes	Yes	Yes	Yes 2	Yes
	Scoop Mount	Yes	Yes **	Yes ** 3	Yes ** 3 2	Yes
	Baseplate	Yes	Yes	Yes	Yes 2	Yes *
	Top Mount	Yes	*	*	*	Yes

Reducer		Accessories				
Size	Configuration	Aux. Seal	Back-stop	Cooling Fan	BS & C.F.	Slide Base
9	Separate	Yes	Yes	Yes1	Yes 2	Yes
	Scoop Mount	Yes	Yes **	Yes ** 3 1	Yes ** 3 2	Yes
	Baseplate	Yes	Yes	Yes 1	Yes 2	Yes *
	Top Mount	Yes	*	*	*	Yes

Reducer		Accessories				
Size	Configuration	Aux. Seal	Back-stop	Cooling Fan	BS & C.F.	Slide Base
12	Separate	Yes	Yes	Yes	Yes 2	Yes
	Scoop Mount	Yes	Yes **	Yes ** 3	Yes ** 3 2	Yes
	Baseplate	Yes	Yes	Yes	Yes 2	Yes *
	Top Mount	Yes	*	*	*	Yes

Reducer		Accessories				
Size	Configuration	Aux. Seal	Back-stop	Cooling Fan	BS & C.F.	Slide Base
10	Separate	Yes	Yes	Yes	Yes 2	Yes
	Scoop Mount	Yes	Yes **	Yes **	Yes ** 3 2	Yes
	Baseplate	Yes	Yes	Yes	Yes 2	Yes *
	Top Mount	Yes	*	*	*	Yes

- ▲ Consult DODGE for combination not listed
- * Consult DODGE, made-to-order accessory combination
- YES Stock accessory combination is compatible
- ** Non-stock coupling guard required

- 1 Standard cooling fan compatible only with these reducer sizes and ratios:
MAXUM 7, 2.25 - 25.63
MAXUM 9, 5.06 - 25.63
Contact DODGE for other ratios.

- 2 Standard backstop and cooling fan compatible only with these reducer sizes and ratios:
MAXUM 8 and 9, 5.06 - 25.63
MAXUM 10, 5.06 - 70.62
MAXUM 11, 5.06 - 70.62
MAXUM 12, 6.20 - 70.62
Contact DODGE for other ratios.

- ◆ When using external backstops on sizes 7 through 12 reducers with scoops, see page G3-39 for UA and NA dimensions.
Change out TL Bushing or Finish bore hub to fit smaller input shaft diameter of backstop reducer.

3 Non-Stock motor plate required for these reducers and scoop packages

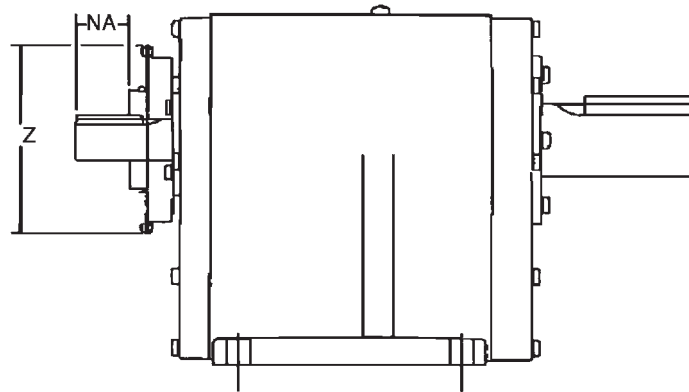
RED. SIZE	RATIO	MTR FRAME SIZE	MTR. PLT. PART #
MAXUM 9	5.06 - 25.6	213T - 365T	299488
MAXUM 9	5.06 - 25.6	404T - 445T	299489
MAXUM 10 and 11	5.06 - 70.62	213T - 365T	299488
MAXUM 10 and 11	5.06 - 70.62	404T - 445T	299489
MAXUM 12	6.20 - 70.62	213T - 365T	299488
MAXUM 12	6.20 - 70.62	404T - 445T	299489

- Maximum 7 thru 12 Top Motor Mount applications with external backstops must be checked for over hung load.



MODIFICATIONS/ACCESSORIES

MAXUM Concentric Reducer



BACKSTOP ASSEMBLIES

Optional backstops are offered for service conditions that require the prevention of reverse direction. All backstops are externally mounted on the high speed shaft. On reducer sizes 1 through 6, the backstop is a ratchet and pawl type that does not require additional shaft length to mount. On sizes 7 through 12, a sprag type backstop mounts on an extended high speed shaft which is supplied with the backstop reducer.

NOTE: All backstops have a maximum overrunning speed limitation of 1800 RPM. In addition, the ratchet and pawl type on reducer sizes 1-6 has a minimum over running speed limitation of 400 RPM.

When ordering a reducer with backstop, it will be necessary to indicate on the order the desired direction of rotation of the output shaft, either by designating "CW" for clockwise or "CCW" for counter clockwise, when looking at the output shaft. Backstop is factory installed on sizes 7-12, specify rotation. Sizes 1-6 factory installed upon request. For sizes 1-3, check availability.

External Backstops (sizes 1 thru 6) ■

Unit Size	Ratios +	Part Number	NA	Z	Backstop Max. HP
DCR/TCR 4	13.95-194.6	299375	1.97	8.69	50
DCR 5	9.30-25.63	299377	2.69	9.75	75
TCR 5	31.39-194.6	299377	1.61	9.75	50
DCR 6	13.95-25.63	299377	2.69	9.75	75
TCR 6	31.39-194.6	299377	1.61	9.75	50

+ For backstops on ratios not listed, application HP can not exceed the backstop maximum HP rating.

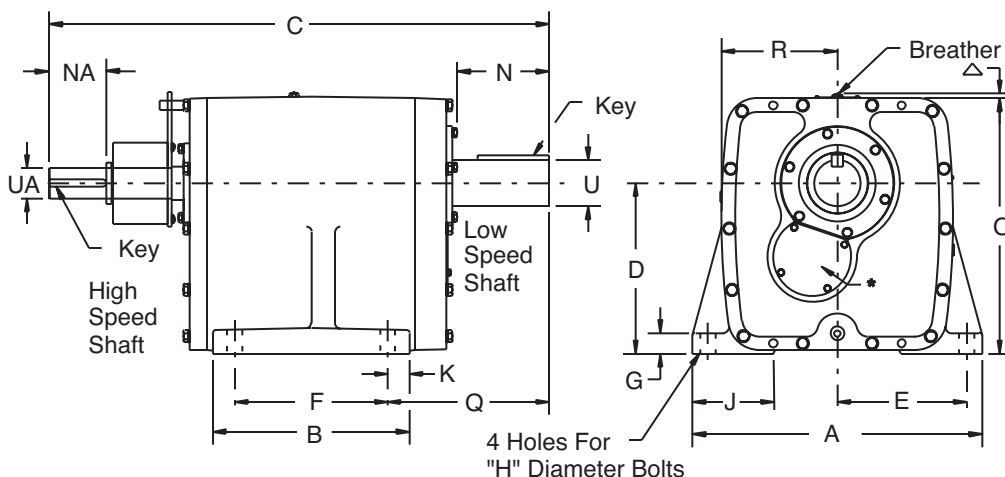
■ Refer to Table 12, page G3-31 for compatibility of various combinations of reducers and accessories.

WARNING: Backstops are not to be used for applications involving energy absorption and shock or torque loads in excess of reducer ratings nor on applications such as chair lifts, amusement rides, etc., and where the safety of persons or property is dependent on their function. On such applications, other holding devices must be provided.



MODIFICATIONS/ACCESSORIES

MAXUM Concentric Reducer External Backstops (Sizes 7 thru 12) ■



△ 1-1/2" will clear breather on all size units.

Size	Ratios	Part Number *	C	NA	UA	
					Shaft Diameter	Key
DCR 7	5.06-25.63	299379	41.97	3.75	1.999/1.998	1/2 x 31/2
TCR 7	31.39-194.6	299380	40.79	2.69	1.311/1.310	5/16 x 21/2
DCR 9	5.06-11.39	299384	53.46	3.75	2.7485/2.7475	5/8 x 31/2
DCR 9	13.95-25.63	299385	52.08	3.75	1.999/1.998	1/2 x 31/2
TCR 9	31.39-194.6	299386	49.47	3.75	1.999/1.998	1/2 x 31/2
DCR 10	5.06-11.39	299387	54.27	3.75	2.7485/2.7475	5/8 x 31/2
DCR/TCR 10	13.95-70.62	299388	52.90	3.75	1.999/1.998	1/2 x 31/2
TCR 10	86.50-194.6	299389	50.38	3.75	1.999/1.998	1/2 x 31/2
DCR 11	5.06-11.39	299390	57.19	3.75	3.2485/3.2475	3/4 x 31/2
DCR 11	13.95-25.63	299391	55.94	3.75	2.7485/2.7475	5/8 x 31/2
TCR 11	31.39-70.62	299392	54.57	3.75	1.999/1.998	1/2 x 31/2
TCR 11	86.50-194.6	299845	52.79	3.75	1.999/1.998	1/2 x 31/2
DCR 12	6.20-11.39	299393	57.72	3.75	3.2485/3.2475	3/4 x 31/2
DCR 12	13.95-25.63	299394	56.48	3.75	2.7485/2.7475	5/8 x 31/2
TCR 12	31.39-70.62	299395	55.10	3.75	1.999/1.998	1/2 x 31/2
TCR 12	86.50-194.6	299846	53.36	3.75	1.999/1.998	1/2 x 31/2

* External backstop assembly only. See Specification/Dimensions Section pages G3-24 through G3-31 for MAXUM Backstop Reducer part numbers. (Reducers have extended high speed shafts for mounting of external backstops.)

MAXUM Reducer Basic Dimensions

Unit Size	A	B	D	E	F	G	H	J	N	O	Q	R	U	
													Shaft Dia.	Key Size
7	25.49	18.50	14.80	11.22	14.70	1.80	11/4	7.06	8.05	22.31	14.09	10.17	4.00	1 x 1 x 6-1/4
9	31.50	22.00	18.13	13.44	18.19	2.19	11/2	10.00	10.67	27.38	17.49	11.94	5.25	1-1/4 x 1-1/4 x 8-13/16
10	29.93	24.00	18.38	13.10	20.25	2.25	11/2	9.00	11.00	28.43	16.67	12.76	6.00	1-1/2 x 1-1/2 x 8-3/4
11	33.02	24.25	20.75	14.44	20.38	2.50	13/4	9.00	11.51	32.11	17.93	14.54	6.50	1-1/2 x 1-1/2 x 9-1/4
12	34.46	24.88	23.38	15.20	21.00	2.75	13/4	9.00	12.00	35.79	18.17	16.18	7.00	1-3/4 x 1-3/4 x 9-5/32

■ Refer to Table 12, page G3-32 for compatibility of various combinations of reducers and accessories

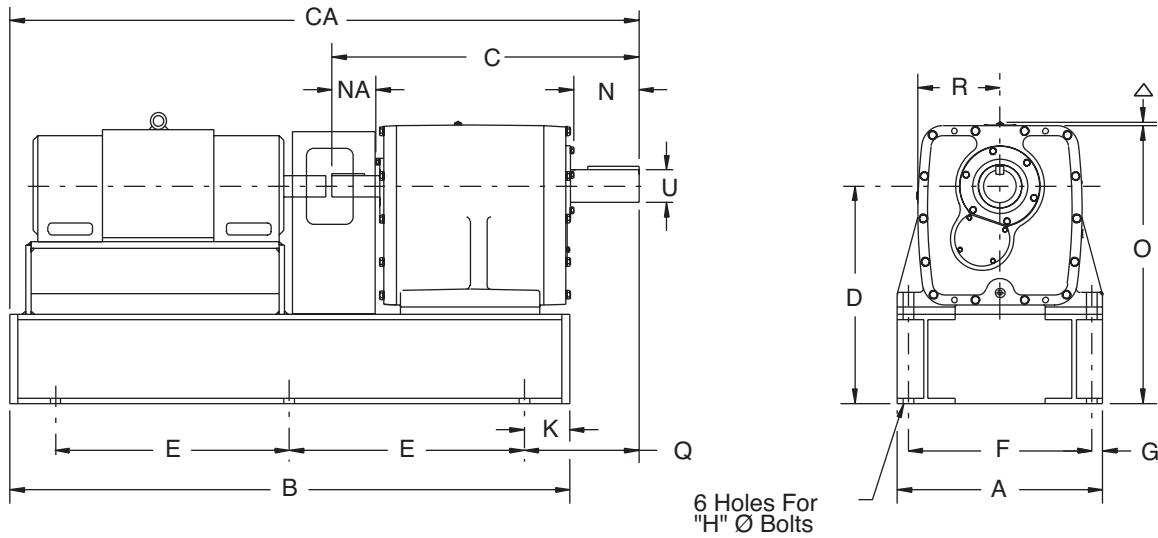
FEATURES/BENEFITS PAGE G3-2	SPECIFICATION PAGE G3-4	EASY SELECTION PAGE G3-6	SELECTION/DIMENSIONS PAGE G3-24
--------------------------------	----------------------------	-----------------------------	------------------------------------

MODIFICATIONS/ACCESSORIES

DODGE®



MAXUM Concentric Reducer



6 Holes For
"H" Ø Bolts

△ 1-1/2" will clear breather on all reducers.

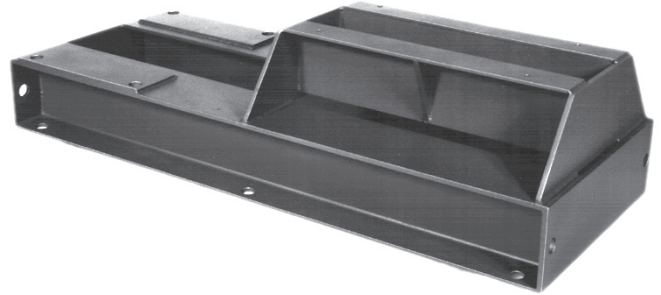
HD BASEPLATE ASSEMBLIES

Heavy Duty Baseplates are rigid units fabricated of heavy steel, providing a sturdy mounting base for motor/coupling/ reducer combinations. This accessory is recommended for large motors where the motor weight exceeds the reducer weight or 700 lbs. and for variable speed DC or AC application regardless of the motor weight. The combination of a factory mounted Reliance motor, DODGE coupling, MAXUM reducer and HD baseplate becomes a drive package warranted as a single system.

HD baseplate assemblies include baseplate, Para-Flex coupling and coupling guard.

When mounting variable speed AC or DC motors, consult general guidelines on pages G3-79 and G3-80.

Consult DODGE for size 7-12 baseplate dimensions.



FEATURES/BENEFITS PAGE G3-2	SPECIFICATION PAGE G3-4	EASY SELECTION PAGE G3-6	SELECTION/DIMENSIONS PAGE G3-24
--------------------------------	----------------------------	-----------------------------	------------------------------------



MODIFICATIONS/ACCESSORIES

MAXUM Concentric Reducer

MAXUM REDUCER HD BASEPLATES WITH RELIANCE RPM III DC MOTORS ▲

Reducer/Motor*	B	CA	E	A	C	D	F	G	H	K	N	O	R	U	Q	NA	
DCR/TCR 4	1811	43.50	49.95	18.75	16.88	25.47	18.10	14.60	1.14	7/8"	3.00	5.75	22.97	6.69	2.875	9.45	3.50
	1812	43.50	49.95	18.75													
	2113	53.00	59.45	23.50													
	2512	56.00	62.45	25.00													
	2812	60.50	66.95	27.25													
	3210	62.50	68.95	28.25													
	3212	62.50	68.95	28.25													
DCR5	1811	45.50	53.25	19.75	18.63	29.14	18.46	16.40	1.11	1"	3.00	6.75	23.94	7.44	3.375	10.75	4.51
	1812	45.50	53.25	19.75													
	2113	55.00	62.75	24.50													
	2512	58.50	66.25	26.25													
	2812	63.00	70.75	28.50													
	3210	64.50	72.25	29.25													
	3212	64.50	72.25	29.25													
TCR5	1811	45.00	52.75	19.50	18.63	28.05	18.46	16.40	1.11	1"	3.00	6.75	23.94	7.44	3.375	10.75	3.42
	1812	45.00	52.75	19.50													
	2113	54.50	62.25	24.25													
	2512	57.50	65.25	25.75													
	2812	62.00	69.75	28.00													
	3210	63.50	71.25	28.75													
	3212	63.50	71.25	28.75													
DCR6	1811	46.50	55.41	20.25	21.38	31.44	20.16	18.60	1.39	1 1/8"	3.00	7.50	26.66	8.16	3.750	11.91	4.51
	1812	46.50	55.41	20.25													
	2113	56.00	64.91	25.00													
	2512	60.50	69.41	27.25													
	2812	64.00	73.91	29.00													
	3210	65.50	74.41	29.75													
	3212	65.50	74.41	29.75													
	3612	71.00	79.91	32.50													
TCR6	1811	46.00	54.91	20.00	21.38	30.36	20.16	18.60	1.39	1 1/8"	3.00	7.50	26.66	8.16	3.750	11.91	3.42
	1812	46.00	54.91	20.00													
	2113	55.50	64.41	24.75													
	2512	58.50	67.41	26.25													
	2812	63.00	71.91	28.50													
	3210	64.50	73.41	29.25													
	3212	64.50	73.41	29.25													
	3612	70.00	78.91	32.00													

▲ For dimensions on HD Baseplates for sizes 7-12, consult DODGE.

* All motors are suffixed by "ATZ." Reliance RPM III motors used as a guide for dimensions.
Consult DODGE when mounting non-Reliance Electric motors.

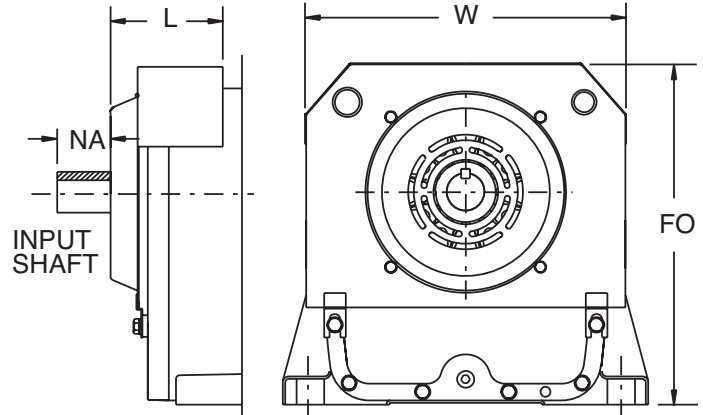
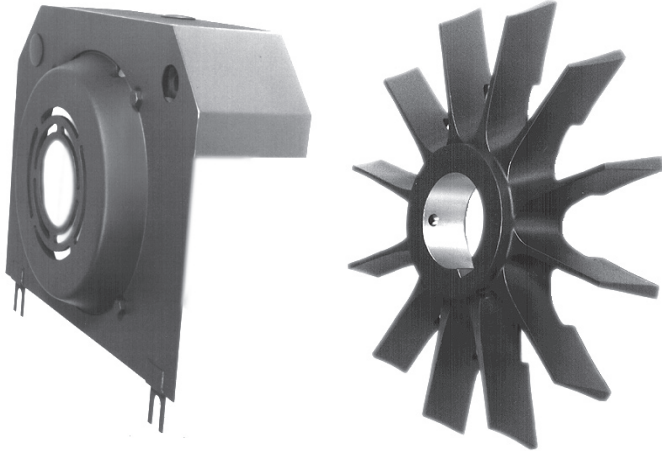
FEATURES/BENEFITS PAGE G3-2	SPECIFICATION PAGE G3-4	EASY SELECTION PAGE G3-6	SELECTION/DIMENSIONS PAGE G3-24
--------------------------------	----------------------------	-----------------------------	------------------------------------

MODIFICATIONS/ACCESSORIES

DODGE®



MAXUM Concentric Reducer



COOLING FANS

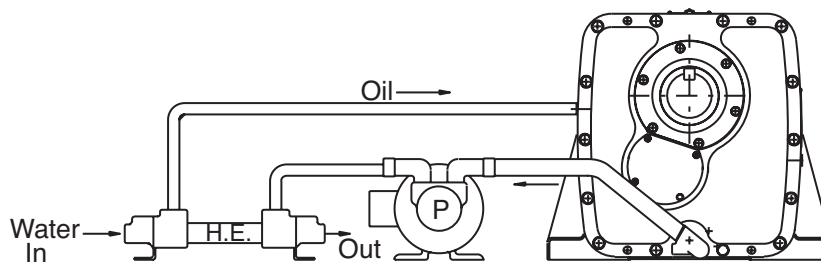
When the thermal capacity of the MAXUM Concentric Shaft Reducer is exceeded, cooling fans provide an optional, inexpensive way of lowering the oil temperature thus increasing the thermal horsepower capacity of the reducer. Selection tables indicate the need for cooling fans. Refer to the thermal tables on pages G3-66 and G3-67. For thermal capacities beyond the range of cooling fans, heat exchangers may be used - see below. Installation of the fan is accomplished simply by attaching formed steel mounting straps to the reducer input cover. The fan assembly, which fastens to the reducer high speed shaft, is simple and compact yet designed to allow an efficient flow of air.

NOTE: When using fans with backstops or top motor mounts, see **Accessory Compatibility Matrix**, page G3-32, or consult DODGE.

NOTE: Viton seals are available for MAXUM reducers in high temperature applications. Consult DODGE

Dimensions for MAXUM Reducer with Cooling Fan

Unit Size	Part Number	NA	L	W	FO
DCR 4	299520	1.78	5.75	14.5	16.13
DCR 5	299521	2.69	6.69	17	17.44
DCR 6	299522	2.69	6.69	18.75	19.94
DCR 7	299523	3.75	7.94	22.44	24
DCR 9	299525	3.75	10.19	26.38	29
DCR 10	299526	3.75	10.19	28	29.94
TCR 10	299842	3.75	10.19	28	29.94
DCR 11	299527	3.75	10.19	31.63	33.75
TCR 11	299843	3.75	10.19	31.63	33.75
DCR 12	299528	3.75	10.19	33.75	37.44
TCR 12	299844	3.75	10.19	33.75	37.44



HEAT EXCHANGER COOLING PACKAGES

For thermal capacities beyond the range of cooling fans, an optional heat exchanger cooling package is available to achieve the use of full mechanical HP rating by lowering the oil temperature.

The cooling package is available to cover the basic reducer sizes 3 through 12. (See thermal HP table on pages G3-66 and G3-68.)

Specifications for the heat exchanger motor are as follows: 1/2 HP, 60 Hz, 3 Ph, 230/460 Volt, TEFC, 56 Frame. Minimum coolant (water) flow is 3 G.P.M. based upon a maximum water temperature of 80°F. Minimum oil temperature for operation is 60°F.

Available from stock as part number **014148**.



MODIFICATIONS/ACCESSORIES

MAXUM Concentric Reducer



SCOOP MOUNT MOTOR/REDUCERS

DODGE MAXUM Scoop Mount Motor/Reducers are available in 12 sizes ranging from 1 to 250 horsepower. Case sizes 4-6 feature AGMA standard speeds 9 to 778 RPM, and case sizes 7-12 feature AGMA standard speeds from 9 to 350 RPM.

DODGE MAXUM Scoop Mount Motor/Reducers can be supplied with factory-mounted Reliance AC motors. Or, if preferred, scoop mount reducers may be ordered separately for use with customer supplied AC motors. Gray iron cases come with steel

scoops designed to accept NEMA AC motor frame sizes from 143T through 445T.

DODGE flexible PARA-FLEX[®] couplings are standard, however, DODGE grid couplings are also available as an optional item.

Thermally limited DODGE MAXUM Scoop Mount Motor/Reducers should be equipped with cooling fan or heat exchanger as required.

Scoops can be used in conjunction with some other accessories. Refer to Table 12 page G3-32.

CAUTION: The customer is responsible and Reliance Electric expressly disclaims responsibility for isolating the DODGE MAXUM Scoop Mount Motor/Reducer from any vibratory or transient load induced by the motor or the other equipment that is driven by the motor.

The MAXUM Scoop Mount Motor/Reducer is expressly not warranted against failure or

unsatisfactory operation resulting from dynamic vibrations of any form imposed upon it whether by the drive system in which it is installed or for any other reason, no matter how induced, unless the nature of such vibrations has been fully defined by the customer on the face of its purchase order and explicitly accepted in writing by Reliance Electric.

DRIVE SYSTEM VIBRATION

The probability of a constant speed motor operating at resonant frequency is remote. Should this occur however, the customer must add stiffening supports to the scoop bottom plate to move the resonant frequency away from the motor operating speed.

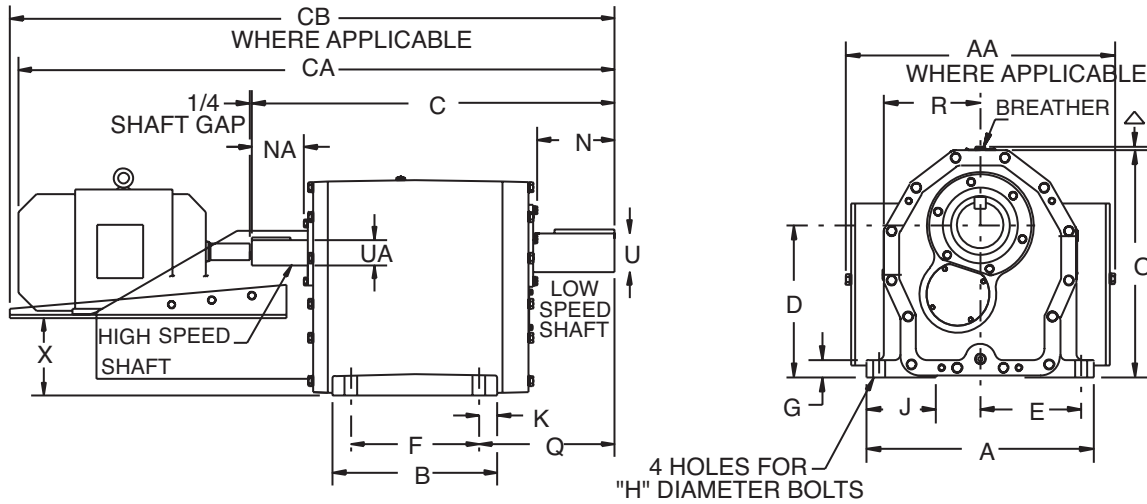
When mounting variable speed AC or DC motors, consult guidelines on page G3-79 and G3-80.

FEATURES/BENEFITS PAGE G3-2	SPECIFICATION PAGE G3-4	EASY SELECTION PAGE G3-6	SELECTION/DIMENSIONS PAGE G3-24
--------------------------------	----------------------------	-----------------------------	------------------------------------



MODIFICATIONS/ACCESSORIES

MAXUM Concentric Reducer



SCOOP MOUNT MOTOR/REDUCERS WITH AC MOTORS, SIZE 4 (WITHOUT EXTERNAL BACKSTOP)

MAXUM Size	A	B	C		D	E	F	G	H Bolts	J	K	N	NA	
			Double Red. Units	Triple Red. Units									Dbl. Reds. Units w/o Fan	Triple Red. Units
4	16.88	11.25	25.47	25.47	9.60	7.30	9.00	1.13	7/8	4.50	.92	5.75	3.50	3.50

MAXUM Size	O	Q	R	U		UA				Avg. Reducer Wt. (lbs.)
				Shaft Dia	Key Size	Dbl. Reduction Units		Triple Reduction Units		
						Shaft Dia.	Key Size	Shaft Dia.	Key Size	
4	14.47	9.45	6.69	2.875	3/4 x 3/4 x 5	1.625	3/8 x 3/8 x 2-1/2	1.625	3/8 x 3/8 x 2-1/2	340

MAXUM Size	Dimensional Ref.	143T	145T	182T	184T	213T	215T	254T	256T	284T	286T	324T	326T
4	AA ❖	16.90	16.90	16.90	16.90	16.90	16.90	16.90	16.90	20.27	20.27	20.27	20.27
	CA+	37.22	39.22	40.34	41.34	43.53	45.03	48.47	50.22	51.66	53.16	54.66	56.16
	CB	45.94	45.94	45.94	45.94	45.94	45.94	N/A	N/A	N/A	N/A	N/A	N/A
	X	5.79	5.79	4.79	4.79	4.04	4.04	3.04	3.04	2.29	2.29	1.29	1.29

Δ 1-1/2" will clear breather on all size units.

❖ AA = Scoop width plus head thickness of mounting bolts.

+ Approx. overall length using squirrel cage, induction Reliance AC motor of the fan cooled type and DODGE couplings from page G3-55.

NOTE: Scoops are designed for standard size conduit boxes. Oversize conduit boxes may interfere with side plates.

FEATURES/BENEFITS PAGE G3-2	SPECIFICATION PAGE G3-4	EASY SELECTION PAGE G3-6	SELECTION/DIMENSIONS PAGE G3-24
--------------------------------	----------------------------	-----------------------------	------------------------------------



MODIFICATIONS/ACCESSORIES

MAXUM Concentric Reducer SCOOP MOUNT MOTOR/REDUCER WITH AC MOTORS SIZES 5-9 (WITHOUT EXTERNAL BACKSTOP)

MAXUM Size	A	B	C		D	E	F	G	H Bolts	J	K	N	NA	
			Double Red. Units	Triple Red. Units									DbI. Red. Units w/o Fan	Triple Red Units
5	18.63	12.00	29.14	28.05	9.96	8.20	10.00	1.25	1	4.19	1.00	6.75	4.51	3.42
6	21.38	13.81	31.44	30.36	11.66	9.30	11.30	1.38	1-1/8	4.50	1.25	7.50	4.51	3.42
7	25.49	18.50	39.06	37.64	14.80	11.22	14.70	1.80	1-1/4	7.06	1.90	8.05	5.41	3.77
9	31.50	22.00	47.39	45.70	18.13	13.44	18.19	2.19	1-1/2	10.00	1.89	10.67	6.25	4.23

MAXUM Size	O	Q	R	U		UA				Ave. Reducer Wt. (lbs.)
				Shaft dia.	Key Size	Double Reduction Units		Triple Reduction Units		
						Shaft Dia.	Key Size	Shaft Dia.	Key Size	
5	15.44	10.75	7.44	3.375	7/8 x 7/8 x 51/4	2.125	1/2 x 1/2 x 33/8	1.625	3/8 x 3/8 x 21/2	435
6	18.16	11.91	8.16	3.750	7/8 x 7/8 x 53/4	2.125	1/2 x 1/2 x 33/8	1.625	3/8 x 3/8 x 21/2	615
7	22.31	14.09	10.17	4.000	1 x 1 x 61/4	2.625	5/8 x 5/8 x 41/4	1.875	1/2 x 1/2 x 21/2	1200
9	27.38	17.49	11.94	5.250	11/4 x 11/4 x 813/16	3.000	3/4 x 3/4 x 47/8	2.125	1/2 x 1/2 x 33/8	2200

MAXUM Size	Dimensional Ref.	Red.	182T	184T	213T	215T	254T	256T	284T	286T	324T	326T	364T/365T	404T/405T	444T/445T
5	AA ❖		24.67	24.67	24.67	24.67	24.67	24.67	24.67	24.67	24.67	24.67	24.67		
	CA+	DCR ★	44.01	45.01	47.20	48.70	52.14	53.89	55.33	56.83	58.33	59.83	62.83		
		TCR ■	42.92	43.92	46.11	47.61	51.05	52.80	54.24	55.74					
	CB	DCR ★	56.27	56.27	56.27	56.27	56.27	56.27	56.27	N/A	N/A	N/A	N/A		
TCR ■		55.18	55.18	55.18	55.18	55.18	55.18	55.18	N/A						
	X		5.01	5.01	4.26	4.26	3.26	3.26	2.51	2.51	1.51	1.51	0.51		
6	AA ❖			24.67	24.67	24.67	24.67	24.67	24.67	24.67	24.67	24.67	24.67		
	CA+	DCR ★		47.31	49.50	51.00	54.44	56.19	57.63	59.13	60.63	62.13	65.13		
		TCR ■		46.23	48.42	49.92	53.36	55.11	56.55	58.05	59.55	61.05	64.05		
	CB	DCR ★		58.57	58.57	58.57	58.57	58.57	58.57	N/A	N/A	N/A	N/A		
TCR ■			57.49	57.49	57.49	57.49	57.49	57.49	N/A	N/A	N/A	N/A			
	X			6.72	5.97	5.97	4.97	4.97	4.22	4.22	3.22	3.22	2.22		
7	AA ❖				24.67	24.67	24.67	24.67	24.67	24.67	24.67	24.67	24.67	27.15	27.15
	CA+ ●	DCR ★			57.12	58.62	62.06	63.81	65.25	66.75	68.25	69.75	72.75	77.62	83.93
		TCR ■			55.70	57.20	60.64	62.39	63.83	65.33	66.83	68.33	71.33		
	CB ●	DCR ★			65.68	65.68	65.68	65.68	66.19	N/A	N/A	N/A	N/A	N/A	N/A
TCR ■				64.26	64.26	64.26	64.26	64.77	N/A	N/A	N/A	N/A	N/A	N/A	
	X				9.12	9.12	8.12	8.12	7.37	7.37	6.37	6.37	5.37	4.37	3.37
9	AA ❖						34.65	34.65	34.65	34.65	34.65	34.65	34.65	34.65	34.65
	CA+ ●	DCR ★											81.08	85.95	92.26
		TCR ■						68.70	70.45	71.89	73.39	74.89	76.39	79.39	84.26
	CB ●	DCR ★						72.58	72.58	72.58	N/A	N/A	N/A	N/A	N/A
TCR ■							11.82	11.82	11.07	11.07	10.07	10.07	9.07	8.07	7.07

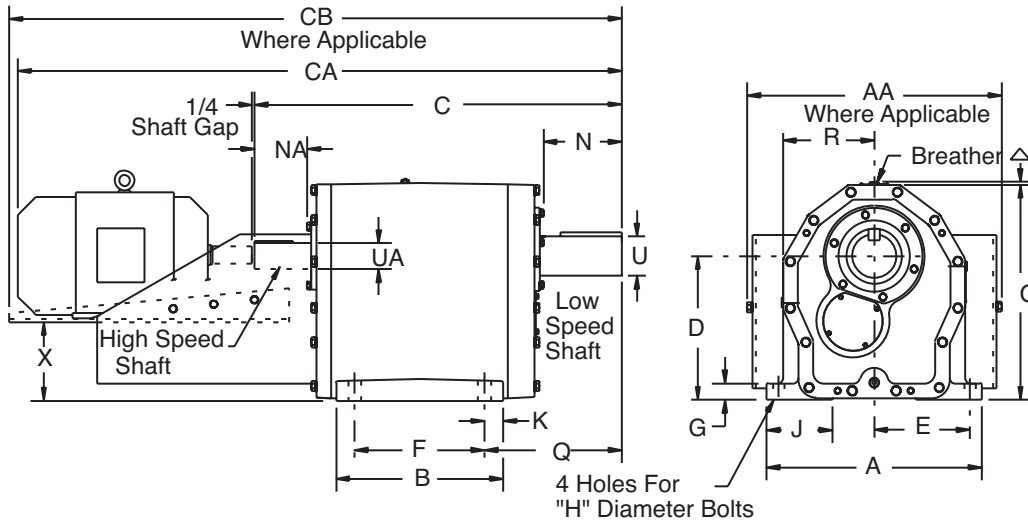
- △ 1-1/2" will clear breather on all size units.
 - ◆ When using external backstops on sizes 7, 8 and 9, see page G3-38 for UA and NA dimensions.
 - ❖ AA = Scoop width plus head thickness of mounting bolts.
 - + Approx. overall length using squirrel cage, induction Reliance AC motor of the fan cooled type and DODGE couplings from page G3-53.
 - ★ Double Reduction reducer only.
 - Triple Reduction reducer only.
 - When using external backstops on sizes 7, 8 and 9, consult DODGE for scoop dimensions.
- NOTE:** Scoops are designed for standard size conduit boxes. Oversize conduit boxes may interfere with side plates.

FEATURES/BENEFITS PAGE G3-2	SPECIFICATION PAGE G3-4	EASY SELECTION PAGE G3-6	SELECTION/DIMENSIONS PAGE G3-24
--------------------------------	----------------------------	-----------------------------	------------------------------------

MODIFICATIONS/ACCESSORIES



MAXUM Concentric Reducer



SCOOP MOUNT MOTOR/REDUCER WITH AC MOTORS, SIZES 10 - 12 (WITHOUT EXTERNAL BACKSTOP)

MAXUM Size	A	B	C		D	E	F	G	H Bolts	J	K	N	NA ♦		
			Ratios 5.06-70.62	Ratios 86.50-194.6									Dbl. Red. Units w/o Fan	Triple Red Units	
														31.39-	86.50-
10	29.93	24.00	48.20	47.09	18.38	13.10	20.25	2.25	1-1/2	9.00	1.87	11.00	6.31	5.90	4.78
11	33.02	24.25	49.84	48.65	20.75	14.44	20.38	2.50	1-3/4	9.00	1.94	11.51	5.33	5.37	4.18
12	34.46	24.88	50.41	49.22	23.38	15.20	21.00	2.75	1-3/4	9.00	1.94	12.00	5.33	5.37	4.18

MAXUM Size	O	Q	R	U		UA ♦				Avg. Reducer Wt. (Lbs.)
				Shaft Dia.	Key Size	Dbl. Reduction Units		Triple Reduction Units		
						Shaft Dia.	Key Size ▲	Shaft Dia.	Key Size ▲	
10	28.43	16.67	12.76	6.00	1-1/2 x 1-1/2 x 8-3/4	3.500	7/8 x 7/8 x 4-7/8	2.375	5/8 x 5/8 x 3-3/4	2485
11	32.11	17.93	14.54	6.50	1-1/2 x 1-1/2 x 9-1/4	3.750	7/8 x 7/8 x 4-1/2	2.375	5/8 x 5/8 x 3-3/4	3320
12	35.79	18.17	16.18	7.00	1-3/4 x 1-3/4 x 9-5/32	3.750	7/8 x 7/8 x 4-1/2	2.375	5/8 x 5/8 x 3-3/4	4100

MAXUM Size	Dimen-sional Ref.	Red.	256T	284T	286T	324T	326T	364T	365T	404T	405T	444T/445T
10	AA ❖		34.65	34.65	34.65	34.65	34.65	34.65	34.65	34.65	34.65	34.65
	CA+ ●	DCR ★ TCR ■	72.97	74.41	75.91	77.41	78.91	81.91	81.91	86.78	86.78	93.09
	CBD	TCR ■	75.42	75.42	N/A	N/A	N/A	N/A	N/A	N/A	N/A	N/A
	X		11.69	10.94	10.94	9.94	9.94	8.94	8.94	7.94	7.94	6.94
11	AA ❖			34.65	34.65	34.65	34.65	34.65	34.65	34.65	34.65	34.65
	CA+ ●	DCR ★ TCR ■		76.03	77.53	79.03	80.53	83.53	83.53	88.40	88.40	94.71
	CBD	TCR ■		76.97	N/A	N/A	N/A	N/A	N/A	N/A	N/A	N/A
	X			13.32	13.32	12.32	12.32	11.32	11.32	10.32	10.32	9.32
12	AA ❖			34.65	34.65	34.65	34.65	34.65	34.65	34.65	34.65	34.65
	CA+ ●	DCR ★ TCR ■		76.60	78.10	79.60	81.10	84.10	84.10	88.97	88.97	95.28
	CB ●	DCR ★		N/A	N/A	N/A	N/A	N/A	N/A	N/A	N/A	N/A
	X			15.94	15.94	14.94	14.94	13.94	13.94	12.94	12.94	11.94

- Δ 1-1/2", will clear breather on all size units.
 - ❖ AA = Scoop width plus head thickness of mounting bolts.
 - + Approx. overall length using squirrel cage, induction Reliance AC motor of the fan cooled type and DODGE couplings from page G3-53.
 - ▲ On ratios 31.39-70.62 key length is 4-15/16.
 - ★ Double Reduction reducer only.
 - ♦ When using external backstops on sizes 10, 11 and 12, see page G3-39 for UA and NA dimensions.
 - Triple Reduction reducer only.
 - On ratios 86.50-194.6, dimension CA will be approximately 1.25" shorter. When using external backstops, consult DODGE for scoop dimensions.
- NOTE:** Scoops are designed for standard size conduit boxes. Oversize conduit boxes may interfere with side plates.

FEATURES/BENEFITS PAGE G3-2	SPECIFICATION PAGE G3-4	EASY SELECTION PAGE G3-6	SELECTION/DIMENSIONS PAGE G3-24
--------------------------------	----------------------------	-----------------------------	------------------------------------



MODIFICATIONS/ACCESSORIES

MAXUM Concentric Reducer

COUPLING GUARDS

MAXUM coupling guards, made of fabricated steel, are available for use with MAXUM Concentric Shaft Scoop/ Motor/Reducers sizes 1-12 and are supplied as part of scoop or baseplate package unless specified otherwise. They offer positive protection from objects falling into the rotating coupling.

When considering other combinations or non-DODGE couplings, consult DODGE.

NOTE: Coupling guards are designed for use on reducers without backstops

COUPLING GUARD PART NUMBERS ■

GUARD NUMBER	PART NUMBER	MAXUM CASE SIZE	MOTOR FRAMES
4	299454	DCR/TCR 3 & 4 TCR 5 & 6	250-280T
5	299455	DCR 4, TCR 6	320T
6	299456	TCR 6	360T
7	299457	DCR 5 & 6	180-250T
8	299458	DCR 5 & 6	280-360T
11	299461	TCR 7	210-250T
12	299462	TCR 7 DCR 7	280-360T 250T
14	299464	DCR 7	280-360T
15	304938	DCR 7	400T
16	304939	DCR 7	440T
17	299467	TCR 9	250-280T
18	299468	TCR 9	320-360T
19	299469	TCR 9	400T
20	299470	TCR 9	440T
21	299471	DCR 9	360T
22	304940	DCR 9	400T
23	304941	DCR 9	440T
24	299474	TCR 10	250-280T
25	299475	TCR 10	320-360T
26	299476	TCR 10 ▲	400T
27	299477	TCR 10 ▲	440T
28	304942	DCR/TCR 10 ★	400T
29	304943	DCR/TCR 10 ★	440T
30	299480	TCR 11 & 12	280-360T
31	299481	TCR 11 & 12 ▲	400T
32	299482	TCR 11 & 12 ▲	440T
33	304947	DCR/TCR 11 & 12 ★	400T
34	304950	DCR/TCR 11 & 12 ★	440T
35	304936	DCR 10, 11 & 12	360T

‡ Refers to maximum size coupling that guard is designed to cover. Actual coupling supplied by DODGE in scoop or baseplate package may be a smaller size.

★ Triple reduction ratios 31.39-70.62.

▲ Triple reduction ratios 86.50-194.6.

■ Refer to Table 12, page G3-31 for compatibility of various combinations of reducers and accessories. See pages G3-53 and G3-54 for listing of coupling sizes.



Motor Mtg. Hardware Kit

AC Motor Frame Size	Ordering Number	Description †
140T	014524	5/16" Bolt Kit
180T, 210T	014525	3/8" Bolts Kit
250T, 280T	014526	1/2" Bolts Kit
320T, 360T	014527	5/8" Bolts Kit
400T, 440T	014528	3/4" Bolts Kit

† Bolt Kits include bolts and shims for mounting motor to scoop

MODIFICATIONS/ACCESSORIES



MAXUM Concentric Reducer SCOOP PACKAGES WITH PARA-FLEX COUPLINGS ■ ◆

MAXUM Size	Scoop Package Part Number	Side Plate	Bottom Plate	Motor Mounting Bolt Kit	Coupling Element	Quantity (2) Coupling Flange	Reducer Bushing	Motor Bushing	Coupling Guard Assembly	Scoop Package Weight (lbs.)
4	DCS04140P	299504	299590	014524	011106	(1)	009212	009208	299453	135.4
4	DCS04180P	299504	299590	014525	011107	010603	119229	119221	299453	138.0
4	DCS04210P	299504	299590	014525	011107	010603	119229	119225	299453	138.0
4	DCS04250P	299504	299590	014526	011107	010603	119229	119229	299454	143.0
4	DCS04280P	299504	299591	014526	011108	010604	117092	117095	299454	166.6
4	DCS04320P	299504	299591	014527	011108	010604	117092	117177	299455	173.6
4	TCS04140P	299504	299590	014524	011106	(1)	009212	009208	299453	135.4
4	TCS04180P	299504	299590	014525	011107	010603	119229	119221	299453	138.0
4	TCS04210P	299504	299590	014525	011107	010603	119229	119225	299453	138.0
4	TCS04250P	299504	299590	014526	011107	010603	119229	119229	299454	143.0
4	TCS04280P	299504	299591	014526	011108	010604	117092	117095	299454	166.6
5	DCS05210P	299505	299592	014525	011108	010604	117177	117091	299454	186.6
5	DCS05250P	299505	299592	014526	011108	010604	117177	117092	299457	186.6
5	DCS05280P	299505	299592	014526	011108	010604	117177	117095	299458	194.6
5	DCS05320P	299505	299592	014527	011108	010604	117177	117177	299458	194.6
5	DCS05360P	299505	299592	014527	011109	010605	119126	117098	299458	203.8
5	TCS05140P	299505	299592	014524	011106	(1)	009212	009208	299453	165.0
5	TCS05180P	299505	299592	014525	011107	010603	119229	119221	299453	174.0
5	TCS05210P	299505	299592	014525	011107	010603	119229	119225	299453	174.0
5	TCS05250P	299505	299592	014526	011107	010603	119229	119229	299454	179.0
5	TCS05280P	299505	299592	014526	011108	010604	117092	117095	299454	185.6
6	DCS06210P	299506	299592	014525	011108	010604	117177	117091	299457	197.6
6	DCS06250P	299506	299592	014526	011108	010604	117177	117092	299457	197.6
6	DCS06280P	299506	299592	014526	011108	010604	117177	117095	299458	205.6
6	DCS06320P	299506	299592	014527	011108	010604	117177	117177	299458	205.6
6	DCS06360P	299506	299592	014527	011109	010605	119126	117098	299458	214.8
6	TCS06180P	299506	299592	014525	011107	010603	119229	119221	299453	185.0
6	TCS06210P	299506	299592	014525	011107	010603	119229	119225	299453	185.0
6	TCS06250P	299506	299592	014526	011107	010603	119229	119229	299454	190.0
6	TCS06280P	299506	299592	014526	011108	010604	117092	117095	299454	196.6
6	TCS06320P	299506	299592	014527	011108	010604	117092	117177	299455	203.6
6	TCS06360P	299506	299592	014527	011109	010605	119144	117098	299456	217.8
7	DCS07250P	299507	299592	014526	011109	010605	117111	119144	299462	252.8
7	DCS07280P	299507	299592	014526	011109	010605	117111	119122	299464	252.8
7	DCS07320P	299507	299592	014527	011109	010605	117111	119126	299464	252.8
7	DCS07360P	299507	299592	014527	011109	010605	117111	117098	299464	252.8
7	DCS07400P	299507	299593	014528	011112	010608	117128	117132	304938	356.4
7	DCS07440P	299507	299593	014528	011114	011134	117224	117233	304939	436.0
7	TCS07210P	299507	299592	014525	011108	010604	117095	117091	299461	229.6
7	TCS07250P	299507	299592	014526	011108	010604	117095	117092	299461	229.6
7	TCS07280P	299507	299592	014526	011108	010604	117095	117095	299462	242.6
7	TCS07320P	299507	299592	014527	011108	010604	117095	117177	299462	242.6
7	TCS07360P	299507	299592	014527	011109	010605	119122	117098	299462	251.8

(1) Finished Bore PARA-FLEX Coupling. Part numbers listed in bushing columns are for the PX60FB hubs required to make a complete coupling.

■ Refer to Table 12, page G3-32 for compatibility of various combinations of reducers and accessories.

◆ When using external backstops on sizes 7 through 12 reducers with scoops, see page G3-36 for UA and NA dimensions. Change out TL Bushing or Finish bore hub to fit smaller input shaft diameter of backstop reducer.

FEATURES/BENEFITS PAGE G3-2	SPECIFICATION PAGE G3-4	EASY SELECTION PAGE G3-6	SELECTION/DIMENSIONS PAGE G3-24
--------------------------------	----------------------------	-----------------------------	------------------------------------



MODIFICATIONS/ACCESSORIES

MAXUM Concentric Reducer SCOOP PACKAGES WITH PARA-FLEX COUPLINGS ■ ◆

MAXUM Size	Scoop Package Part Number	Side Plate	Bottom Plate	Motor Mounting Bolt Kit	Coupling Element	Quantity (2) Coupling Flange	Reducer Bushing	Motor Bushing	Coupling Guard Assembly	Scoop Package Weight (lbs.)
9	DCS09360P	299509	299594	014527	011112	010608	117134	117124	299471	362.4
9	DCS09400P	299509	299595	014528	011112	010608	117134	117132	304940	417.4
9	DCS09440P	299509	299595	014528	011114	011134	117229	117233	304941	500.0
9	TCS09250P	299509	299594	014526	011108	010604	117177	117092	299467	293.6
9	TCS09280P	299509	299594	014526	011108	010604	117177	117095	299467	293.6
9	TCS09320P	299509	299594	014527	011108	010604	117177	117177	299468	304.6
9	TCS09360P	299509	299594	014527	011109	010605	119126	117098	299468	313.8
9	TCS09400P	299509	299595	014528	011112	010608	117120	117132	299469	415.4
9	TCS09440P	299509	299595	014528	011114	011134	117218	117233	299470	498.0
10	DCS10360P	299510	299594	014527	011114	011134	117235	117221	304936	467.0
10	DCS10400P	299510	299595	014528	011114	011134	117235	117227	304942	509.0
10	DCS10440P	299510	299595	014528	011114	011134	117235	117233	304943	518.0
10	TCS10250P	299510	299594	014526	011109	010605	117098	119144	299474	316.8
10	TCS10280P	299510	299594	014526	011109	010605	117098	119122	299474	316.8
10	TCS10320P	299510	299594	014527	011109	010605	117098	119126	299475	335.8
10	TCS10360P	299510	299594	014527	011109	010605	117098	117098	299475	335.8
10	TCS10400P	299510	299595	014528	011112	010608	117124	117132	299476	432.4
10	TCS10440P	299510	299595	014528	011114	011134	117221	117233	299477	518.0
11	DCS11360P	299511	299594	014527	011114	011134	117709	117221	304936	490.0
11	DCS11400P	299511	299595	014528	011114	011134	117709	117227	304947	537.0
11	DCS11440P	299511	299595	014528	011114	011134	117709	117233	304950	550.0
11	TCS11280P	299511	299594	014526	011109	010605	117098	119122	299480	363.8
11	TCS11320P	299511	299594	014527	011109	010605	117098	119126	299480	363.8
11	TCS11360P	299511	299594	014527	011109	010605	117098	117098	299480	363.8
11	TCS11400P	299511	299595	014528	011112	010608	117124	117132	299481	458.4
11	TCS11440P	299511	299595	014528	011114	011134	117221	117233	299482	544.0
12	DCS12360P	299512	299594	014527	011114	011134	117709	117221	304936	505.0
12	DCS12400P	299512	299595	014528	011114	011134	117709	117227	299481	552.0
12	DCS12440P	299512	299595	014528	011114	011134	117709	117233	304950	565.0
12	TCS12280P	299512	299594	014526	011109	010605	117098	119122	299480	378.8
12	TCS12320P	299512	299594	014527	011109	010605	117098	119126	299480	378.8
12	TCS12360P	299512	299594	014527	011109	010605	117098	117098	299480	378.8
12	TCS12400P	299512	299595	014528	011112	010608	117124	117132	299481	473.4
12	TCS12440P	299512	299595	014528	011114	011134	117221	117233	299482	559.0

(1) Finished Bore PARA-FLEX Coupling. Part numbers listed in bushing columns are for the PX60FB hubs required to make a complete coupling.

■ Refer to Table 12, page G3-32 for compatibility of various combinations of reducers and accessories.

◆ When using external backstops on sizes 7 through 12 reducers with scoops, see page G3-38 for UA and NA dimensions. Change out TL Bushing or Finish bore hub to fit smaller input shaft diameter of backstop reducer.

FEATURES/BENEFITS PAGE G3-2	SPECIFICATION PAGE G3-4	EASY SELECTION PAGE G3-6	SELECTION/DIMENSIONS PAGE G3-24
--------------------------------	----------------------------	-----------------------------	------------------------------------

MODIFICATIONS/ACCESSORIES



MAXUM Concentric Reducer SCOOP PACKAGES WITH GRID-LIGN COUPLINGS ■ ◆

MAXUM Size	Scoop Package Part Number	Side Plate	Bottom Plate	Motor Mounting Bolt Kit	Grid & Cover Assembly	Reducer Hub	Motor Hub	Coupling Guard Assy.	Scoop Package Weight (lbs.)
4	DCS04140G	299504	299590	014524	006752	006598	006592	299453	132.0
4	DCS04180G	299504	299590	014525	006752	006598	006594	299453	132.0
4	DCS04210G	299504	299590	014525	006752	006598	006596	299453	132.0
4	DCS04250G	299504	299590	014526	006752	006598	006598	299454	137.0
4	DCS04280G	299504	299591	014526	006753	006603	006605	299454	158.0
4	DCS04320G	299504	299591	014527	006754	006608	006611	299455	169.5
4	TCS04140G	299504	299590	014524	006752	006598	006592	299453	132.0
4	TCS04180G	299504	299590	014525	006752	006598	006594	299453	132.0
4	TCS04210G	299504	299590	014525	006752	006598	006596	299453	132.0
4	TCS04250G	299504	299590	014526	006752	006598	006598	299454	137.0
4	TCS04280G	299504	299591	014526	006753	006603	006605	299454	158.0
5	DCS05210G	299505	299592	014525	006754	006611	006606	299454	182.5
5	DCS05250G	299505	299592	014526	006754	006611	006608	299457	182.5
5	DCS05280G	299505	299592	014526	006754	006611	006610	299458	190.5
5	DCS05320G	299505	299592	014527	006754	006611	006611	299458	190.5
5	DCS05360G	299505	299592	014527	006755	006616	006618	299458	197.0
5	TCS05140G	299505	299592	014524	006752	006598	006592	299453	168.0
5	TCS05180G	299505	299592	014525	006752	006598	006594	299453	168.0
5	TCS05210G	299505	299592	014525	006752	006598	006596	299453	168.0
5	TCS05250G	299505	299592	014526	006752	006598	006598	299454	173.0
5	TCS05280G	299505	299592	014526	006753	006603	006605	299454	177.0
6	DCS06210G	299506	299592	014525	006754	006611	006606	299457	200.0
6	DCS06250G	299506	299592	014526	006754	006611	006608	299457	200.0
6	DCS06280G	299506	299592	014526	006754	006611	006610	299458	208.0
6	DCS06320G	299506	299592	014527	006754	006611	006611	299458	208.0
6	DCS06360G	299506	299592	014527	006755	006616	006618	299458	208.0
6	TCS06180G	299506	299592	014525	006752	006598	006594	299453	179.0
6	TCS06210G	299506	299592	014525	006752	006598	006596	299453	179.0
6	TCS06250G	299506	299592	014526	006752	006598	006598	299454	184.0
6	TCS06280G	299506	299592	014526	006753	006603	006605	299454	188.0
6	TCS06320G	299506	299592	014527	006754	006608	006611	299455	199.5
6	TCS06360G	299506	299592	014527	006755	006612	006618	299456	211.0
7	DCS07250G	299507	299592	014526	006755	006479	006612	299462	246.0
7	DCS07280G	299507	299592	014526	006755	006479	006614	299464	246.0
7	DCS07320G	299507	299592	014527	006755	006479	006616	299464	246.0
7	DCS07360G	299507	299592	014527	006755	006479	006618	299464	246.0
7	DCS07400G	299507	299593	014528	006756	006625	006627	304938	321.0
7	DCS07440G	299507	299593	014528	006757	006796	006802	304939	341.0
7	TCS07210G	299507	299592	014525	006753	006605	006601	299461	221.0
7	TCS07250G	299507	299592	014526	006753	006605	006603	299461	221.0
7	TCS07280G	299507	299592	014526	006753	006605	006605	299462	234.0
7	TCS07320G	299507	299592	014527	006754	006610	006611	299462	239.0
7	TCS07360G	299507	299592	014527	006755	006614	006618	299462	245.0

■ Refer to Table 12, page G3-32 for compatibility of various combinations of reducers and accessories.

▲ When using external backstops on sizes 7 through 12 reducers with scoops, see page G3-37 for UA and NA dimensions. Change out TL Bushing or Finish bore hub to fit smaller input shaft diameter of backstop reducer.

FEATURES/BENEFITS PAGE G3-2	SPECIFICATION PAGE G3-4	EASY SELECTION PAGE G3-6	SELECTION/DIMENSIONS PAGE G3-24
--------------------------------	----------------------------	-----------------------------	------------------------------------



MODIFICATIONS/ACCESSORIES

MAXUM Concentric Reducer SCOOP PACKAGES WITH GRID-LIGN COUPLINGS ■ ◆

MAXUM Size	Scoop Package Part Number	Side Plate	Bottom Plate	Motor Mounting Bolt Kit	Grid & Cover Assembly	Reducer Hub	Motor Hub	Coupling Guard Assy.	Scoop Package Weight (lbs.)
9	DCS09360G	299509	299594	014527	006756	006628	006623	299471	327.0
9	DCS09400G	299509	299595	014528	006756	006628	006627	304940	382.0
9	DCS09440G	299509	299595	014528	006757	006799	006802	304941	405.0
9	TCS09250G	299509	299594	014526	006754	006611	006608	299467	290.0
9	TCS09280G	299509	299594	014526	006754	006611	006610	299467	290.0
9	TCS09320G	299509	299594	014527	006754	006611	006611	299468	301.0
9	TCS09360G	299509	299594	014527	006755	006616	006618	299468	307.0
9	TCS09400G	299509	299595	014528	006756	006621	006627	299469	380.0
9	TCS09440G	299509	299595	014528	006757	006656	006802	299470	403.0
10	DCS10360G	299510	299594	014527	006757	006803	006804	304936	371.5
10	DCS10400G	299510	299595	014528	006757	006803	006798	304942	413.5
10	DCS10440G	299510	299595	014528	006757	006803	006802	304943	422.5
10	TCS10250G	299510	299594	014526	006755	006618	006612	299474	310.0
10	TCS10280G	299510	299594	014526	006755	006618	006614	299474	310.0
10	TCS10320G	299510	299594	014527	006755	006618	006616	299475	329.0
10	TCS10360G	299510	299594	014527	006755	006618	006618	299475	329.0
10	TCS10400G	299510	299595	014528	006756	006623	006627	299476	397.0
10	TCS10440G	299510	299595	014528	006757	006804	006802	299477	422.5
11	DCS11360G	299511	299594	014527	006757	006480	006804	304936	394.5
11	DCS11400G	299511	299595	014528	006757	006480	006798	304947	441.5
11	DCS11440G	299511	299595	014528	006757	006480	006802	304950	454.5
11	TCS11280G	299511	299594	014526	006755	006618	006614	299480	357.0
11	TCS11320G	299511	299594	014527	006755	006618	006616	299480	357.0
11	TCS11360G	299511	299594	014527	006755	006618	006618	299480	357.0
11	TCS11400G	299511	299595	014528	006756	006623	006627	299481	423.0
11	TCS11440G	299511	299595	014528	006757	006804	006802	299482	448.5
12	DCS12360G	299512	299594	014527	006757	006480	006804	304936	409.5
12	DCS12400G	299512	299595	014528	006757	006480	006798	299481	456.5
12	DCS12440G	299512	299595	014528	006757	006480	006802	304950	469.5
12	TCS12280G	299512	299594	014526	006755	006618	006614	299480	372.0
12	TCS12320G	299512	299594	014527	006755	006618	006616	299480	372.0
12	TCS12360G	299512	299594	014527	006755	006618	006618	299480	372.0
12	TCS12400G	299512	299595	014528	006756	006623	006627	299481	438.0
12	TCS12440G	299512	299595	014528	006757	006804	006802	299482	463.5

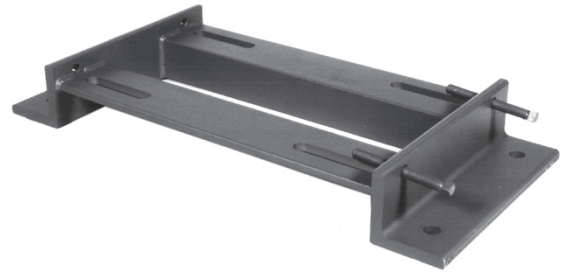
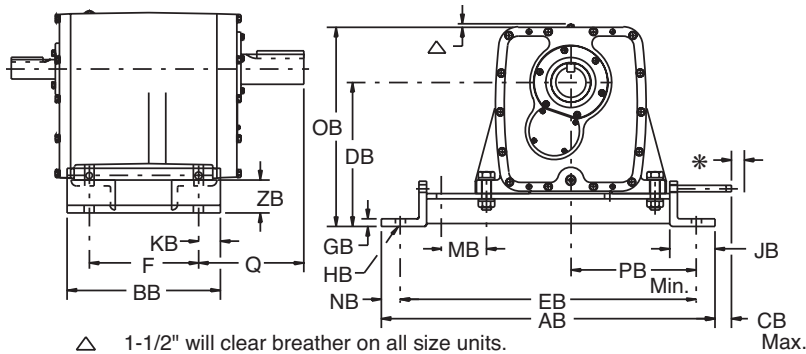
■ Refer to Table 12, page G3-32 for compatibility of various combinations of reducers and accessories.

▲ When using external backstops on sizes 7 through 12 reducers with scoops, see page G3-37 for UA and NA dimensions. Change out TL Bushing or Finish bore hub to fit smaller input shaft diameter of backstop reducer.

MODIFICATIONS/ACCESSORIES



MAXUM Concentric Reducer



△ 1-1/2" will clear breather on all size units.
 * Minimum distance required to remove adjusting stud.

SLIDE BASES

The MAXUM Reducer Slide Base positions the reducer, providing simplified installation and servicing of belt and chain drives. When a change in reducer position is desired, simply loosen reducer hold-down bolts and slide reducer by using the

adjusting screw provided. After desired belt or chain tension has been obtained, retighten reducer bolts and unit is ready to operate.

NOTE: For Slide Bases for MAXUM HD Baseplates, consult DODGE.

MAXUM REDUCER SLIDE BASES ■

Reducer Size	Part Numbers	AB	BB	CBG	DB	ED	F	GB	HB Bolts	JB
4	304630	30.88	13.25	3.11	14.10	28.13	9.00	0.75	7/8"	4.00
5	304631	32.63	13.75	3.11	14.46	29.88	10.00	0.75	1"	4.00
6	304632	35.38	15.50	3.22	16.16	32.63	11.30	0.75	1-1/8"	4.00
7	304633	44.44	20.50	2.25	19.18	39.44	14.70	1.00	1 1/4"	6.00
9	304635	50.38	24.00	2.25	22.50	45.38	18.19	1.00	1 1/2"	6.00
10	304636	49.94	26.00	3.34	24.63	44.94	20.25	1.00	1 1/2"	6.00
11	304637	53.31	26.25	3.34	27.00	48.31	20.38	1.00	1 3/4"	6.00
12	304638	56.16	26.88	3.34	29.63	51.16	21.00	1.00	1 3/4"	6.00

Reducer Size	KB	MB	NB	OB	PB Min.	Q	ZB	H	Wt. (lbs.)
4	2.13	5.00	1.38	18.97	11.55	9.45	4.50	1"	95
5	1.88	5.00	1.38	19.94	12.42	10.75	4.50	1"	100
6	2.09	5.00	1.38	22.66	13.80	11.91	4.50	1"	112
7	2.88	6.00	2.50	26.69	16.72	14.09	4.38	1 1/4"	245
9	2.91	6.00	2.50	31.76	19.69	17.49	4.38	1 1/4"	300
10	2.88	7.00	2.50	34.68	18.94	16.67	6.25	1 1/4"	370
11	2.94	7.00	2.50	38.36	20.66	17.93	6.25	1 1/4"	380
12	2.94	7.00	2.50	42.04	22.08	18.17	6.25	1 1/4"	410

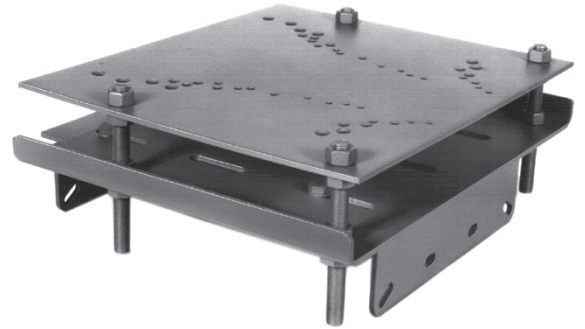
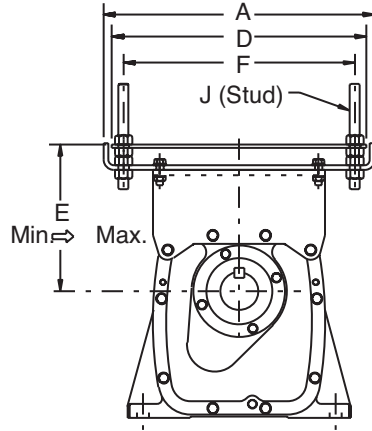
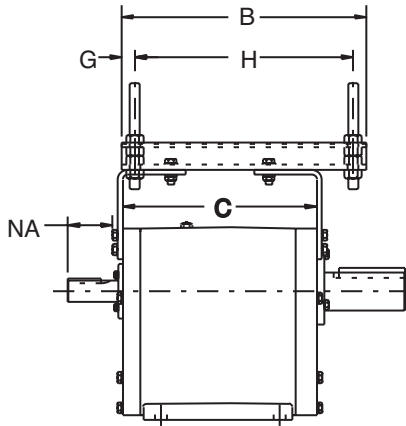
■ Refer to Table 12, page G3-32 for compatibility of various combinations of reducers and accessories.

FEATURES/BENEFITS PAGE G3-2	SPECIFICATION PAGE G3-4	EASY SELECTION PAGE G3-6	SELECTION/DIMENSIONS PAGE G3-24
--------------------------------	----------------------------	-----------------------------	------------------------------------



MODIFICATIONS/ACCESSORIES

MAXUM Concentric Reducer



TOP MOTOR MOUNTS

The MAXUM Motor Mount is a rugged all steel unit which requires no drilling or foundation. It bolts directly to the top of the MAXUM Concentric Shaft Reducer. Each mount accommodates a wide variety of NEMA AC motor frames.

For initial belt installation the adjusting screws can be set at a minimum position which offers adequate future V-belt adjustment.

TOP MOTOR MOUNTS SIZES 4-6 ■

Motor Mount Size	Motor Mount Part Number	Wt.	MAXUM Size	To Accommodate NEMA Motor Frame Sizes ★	A	B	C Nom.	D	E ▲	
									Min.	Max.
MAXUM 4	299530	107	3	143 thru 286	20.50	18.50	12.77	19.25	9.89	13.60
			4	143 thru 326			14.67		9.77	13.48
MAXUM 5-6	299531	149	5	182 thru 365	22.50	19.00	16.20	21.25	10.78	15.73
			6	182 thru 365			17.77		11.78	16.73

Motor Mount Size	F	G	H	J-Stud		NA	
				Dia.	Lgth.	Double	Triple
MAXUM 4	17.50	1.00	16.50	3/4-10	8	3.37	3.37
MAXUM 5-6	19.25	1.13	16.50	1-8	9	4.50	3.41

★ Select motor size to suit horsepower requirements. See table below for V-belt center distances.

▲ Provides for V-belt adjustment.

V-BELT CENTER DISTANCES FOR MAXUM MOTOR MOUNTS

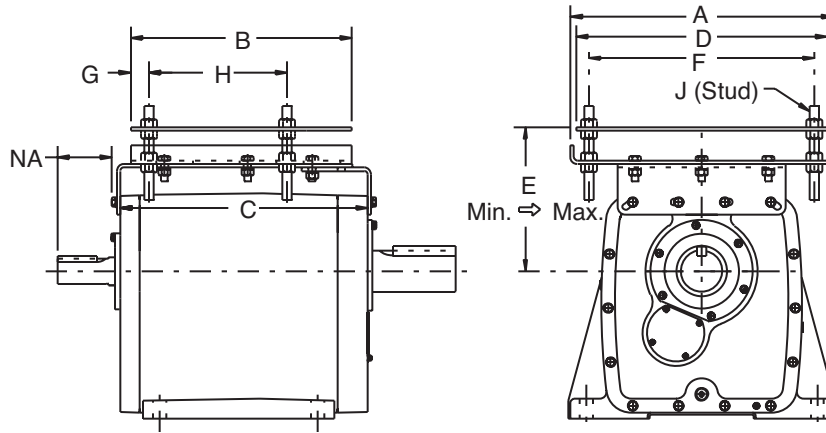
Motor Mount Size	MAXUM Size	Center Distances for NEMA Motor Mounts													
		140		180		210		250		280		320		360	
		Min.	Max.	Min.	Max.	Min.	Max.	Min.	Max.	Min.	Max.	Min.	Max.	Min.	Max.
MAXUM 4	4	13.77	16.98	14.77	17.98	15.52	18.73	16.52	19.73	17.27	20.48	18.27	21.48		
MAXUM 5-6	5			15.78	20.23	16.53	20.98	17.53	21.98	18.28	22.73	19.28	23.73	20.28	24.73
	6			16.78	21.23	17.53	21.98	18.53	22.98	19.28	23.73	20.28	24.73	21.28	25.73

■ Refer to Table 12, page G3-32 for compatibility of various combinations of reducers and accessories.



MODIFICATIONS/ACCESSORIES

MAXUM Concentric Reducer



TOP MOTOR MOUNTS SIZES 7-12 ■

Motor Mount Size	Motor Mount Part Number	Wt.	MAXUM Size	To Accommodate NEMA Motor Frame Sizes H	A	B	C Nom.	D	Es	
									Min	Max
MAXUM 7	299532	257	7	213 thru 445	28.50	24.00	23.69	27.25	13.41	18.91
MAXUM 9	299534	278	9	213 thru 445	28.50	24.00	28.45	27.25	15.53	21.03
MAXUM 10	299535	283	10	254 thru 445	28.50	24.00	28.82	27.25	16.59	22.09
MAXUM 11	299536	289	11	284 thru 445	28.50	24.00	30.51	27.25	19.37	24.87
MAXUM 12	299537	301	12	284 thru 445	28.50	24.00	30.57	27.25	20.37	25.87

Motor Mount Size	F	G	H	J-Stud		NA		
				Dia.	Lgth.	Double	Triple	
							31.39-70.62	86.50-194.6
MAXUM 7	24.25	2.00	15.00	1-8	101/4	5.41	3.77	3.77
MAXUM 9	24.25	2.00	15.00	1-8	101/4	6.15	4.23	4.23
MAXUM 10	24.25	2.00	15.00	1-8	101/4	6.23	5.90	4.78
MAXUM 11	24.25	2.00	15.00	1-8	101/4	5.33	5.37	4.18
MAXUM 12	24.25	2.00	15.00	1-8	101/4	5.33	5.37	4.18

★ Select motor size to suit horsepower requirements. See table below for V-belt center distances.

▲ Provides for V-belt adjustment.

V-BELT CENTER DISTANCES FOR MAXUM MOTOR MOUNTS

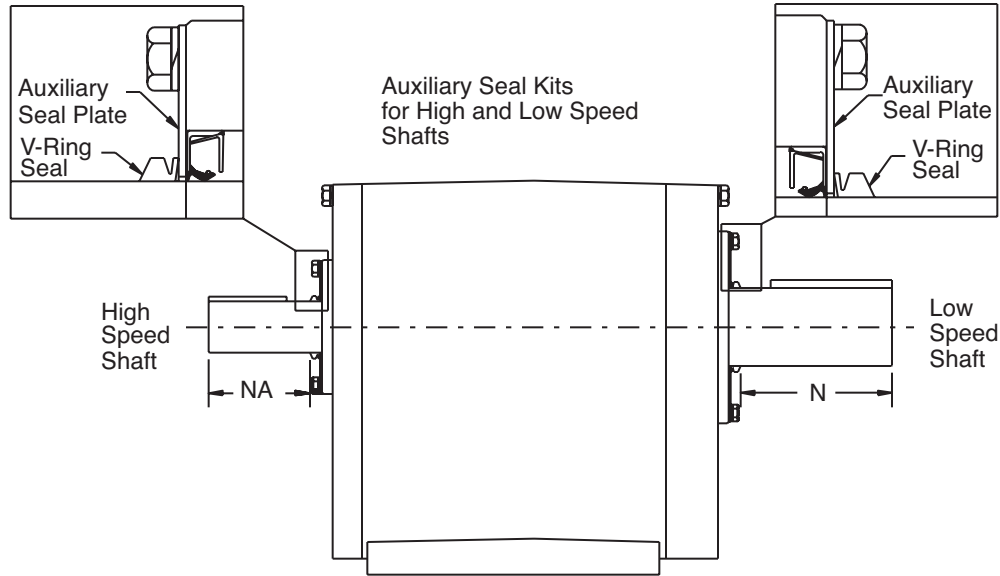
Motor Mount Size	MAXUM Size	Center Distances for NEMA Motor Mounts													
		210		250		280		320		360		400		440	
		Min.	Max.	Min.	Max.	Min.	Max.	Min.	Max.	Min.	Max.	Min.	Max.	Min.	Max.
MAXUM 7	7	19.66	24.16	20.66	25.16	21.41	25.91	22.41	26.91	23.41	27.91	24.41	28.91	25.41	29.91
MAXUM 9	9	21.78	26.28	22.78	27.28	23.53	28.03	24.53	29.03	25.53	30.03	26.53	31.03	27.53	32.03
MAXUM 10	10			23.84	28.34	24.59	29.09	25.59	30.09	26.59	31.09	27.59	32.09	28.59	33.09
MAXUM 11	11					27.73	31.87	28.37	32.87	29.37	33.87	30.37	34.87	31.37	35.87
MAXUM 12	12					28.37	32.87	29.37	33.87	30.37	34.87	31.37	35.87	32.37	36.87

■ Refer to Table 12, page G3-32 for compatibility of various combinations of reducers and accessories.



MODIFICATIONS/ACCESSORIES

MAXUM Concentric Reducer



AUXILIARY SEAL KITS

Where exposure to dust, moisture or other types of contamination is a potential problem, the optional MAXUM Reducer Auxiliary Seal Kit is recommended.

Kits consist of auxiliary seal plates and V-ring seals for both high speed and low speed shafts. The seal plate protects the seal from accidental damage and the V-ring provides extra sealing protection from external contaminants. Kits mount with no additional drilling and tapping.

Filter Breathers*

Reduced Size	Part Number	Housing Hole Dimensions
DCR/TCR 1-4	430048	3/8 - 18 NPSF
DCR/TCR 5-6	430049	1/2 - 14 NPSF
DCR/TCR 7-12	430049 ●	1-11 NPSF

* Breathers fit all reducer ratios

● Order 1" x 1/2" adapter, part number **A45631** for mounting Filter Breather to reducer housing.

Unit Size	Ratios	Part Number	NA	N
DCR/TCR 4	2.25-194.6	300302	3.23	5.45
DCR 5	2.25-25.63	300906	4.31	6.45
TCR 5	31.39-194.6	300903	3.23	6.45
DCR 6	2.25-25.63	300904	4.31	7.25
TCR 6	31.39-194.6	301204	3.23	7.25
DCR 7	5.06-25.63	301504	5.25	7.73
TCR 7	31.39-194.6	301504	3.77*	7.73
DCR 9	5.06-25.63	302104	6.00	10.46
TCR 9	31.39-194.6	302104	4.23*	10.46
DCR 10	5.06-25.63	302408	6.06	10.79
TCR 10	31.39-70.62	302408	5.90*	10.79
TCR 10	86.50-194.6	302408	4.78*	10.79
DCR 11	5.06-25.63	302711	5.33*	11.34
TCR 11	31.39-70.62	302711	5.37*	11.34
TCR 11	86.50-194.6	302711	4.18*	11.34
DCR 12	5.06-25.63	302713	5.33*	11.84
TCR 12	31.39-70.62	302713	5.37*	11.84
TCR 12	86.50-194.6	302713	4.18*	11.84

* NA dimensions are the same with or without auxiliary seals.

MODIFICATIONS/ACCESSORIES



MAXUM Concentric Reducer

**MODIFICATIONS OR ASSEMBLY FOR MAXUM CONCENTRIC REDUCERS
CONSULT DODGE FOR THESE ASSEMBLIES, ACCESSORIES, AND MODIFICATIONS**

1. MAXUM Reducer Modified For Inclined Or Vertical Shaft, Exceeding 10-. Advise If Input Shaft Up Or Down.
2. MAXUM Reducer With Auxiliary Seals Installed
3. MAXUM Reducer With Cooling Fan Installed
4. MAXUM Reducer With External Backstop Assembly Installed. (Specify Direction Of Rotation On Order.)
5. MAXUM Reducer And Accessories Packaged For Shipment On One Pallet.
6. MAXUM Scoop Package Assembled With Reliance Motor.
7. MAXUM Hd (Heavy Duty) Base Plate Package Assembled With Reliance Motor.
8. MAXUM Reducer With Special Bearing Adjustment
9. MAXUM Reducer Prepared For Long-Term Storage
10. MAXUM Reducer Assembled With Fluid Coupling Or Fluid Drive.
11. MAXUM Reducer Options For Harsh Environments

- Reducer Paint Options
- Optional Breathers
- Oil Sight & Window Gauges
- Specialty Lubricants
- Oil Sump Heaters
- Standard Oil Seal Replacement Kits

FEATURES/BENEFITS PAGE G3-2	SPECIFICATION PAGE G3-4	EASY SELECTION PAGE G3-6	SELECTION/DIMENSIONS PAGE G3-24
--------------------------------	----------------------------	-----------------------------	------------------------------------



RELATED PRODUCTS

MAXUM Concentric Reducer

PARA-FLEX COUPLING SELECTION ◆

RED. SIZE	RED. INPUT SHFT. DIA.	Coupling Sizes Used on Various HP A-C Motors @ 1750 RPM ■											
		1	1-1/2	2	3	5	7-1/2	10	15	20	25	30	
		143T (7/8)	145T (7/8)	145T (7/8)	182T (1-1/8)	184T (1-1/8)	213T (1-3/8)	215T (1-3/8)	254T (1-5/8)	256T (1-5/8)	284T (1-7/8)	286T (1-7/8)	
DCR 4	1-5/8	PX60FB	PX60FB	PX60FB	PX70	PX70	PX70	PX70	PX70	PX70	PX70	PX80	PX80
TCR 4	1-5/8	PX60FB	PX60FB	PX60FB	PX70	PX70	PX70	PX70	PX70	PX70	PX70	PX80	
DCR 5	2-1/8				PX80	PX80	PX80	PX80	PX80	PX80	PX80	PX80	PX80
TCR 5	1-5/8	PX60FB	PX60FB	PX60FB	PX70	PX70	PX70	PX70	PX70	PX70	PX70	PX80	PX80
DCR 6	2-1/8						PX80	PX80	PX80	PX80	PX80	PX80	PX80
TCR 6	1-5/8				PX70	PX70	PX70	PX70	PX70	PX70	PX70	PX80	PX80
DCR 7	2-5/8								PX90	PX90	PX90	PX90	PX90
TCR 7	1-7/8						PX80	PX80	PX80	PX80	PX80	PX80	PX80
DCR 9	3												
TCR 9	2-1/8								PX80	PX80	PX80	PX80	PX80
DCR 10	3-1/2												
TCR 10	2-3/8								PX90	PX90	PX90	PX90	PX90
DCR 11	3-3/4												
TCR 11	2-3/8								PX90	PX90	PX90	PX90	PX90
DCR 12	3-3/4												
TCR 12	2-3/8											PX90	PX90

RED. SIZE	RED. INPUT SHFT. DIA.	Coupling Sizes Used on Various HP A-C Motors @ 1750 RPM ■								
		40	50	60	75	100	125	150	200	250
		324T (2-1/8)	326T (2-1/8)	364T (2-3/8)	365T (2-3/8)	405T+ (2-7/8)	444T+ (3-3/8)	445T+ (3-3/8)	447T+ (3-3/8)	449T+ (3-3/8)
DCR 4	1-5/8	PX80	PX80							
TCR 4	1-5/8									
DCR 5	2-1/8	PX80	PX80	PX90	PX90					
TCR 5	1-5/8									
DCR 6	2-1/8	PX80	PX80	PX90	PX90					
TCR 6	1-5/8	PX80	PX80	PX90	PX90					
DCR 7	2-5/8	PX90	PX90	PX90	PX90	PX120	PX140	PX140	PX140	
TCR 7	1-7/8	PX80	PX80	PX90	PX90					
DCR 9	3	PX120	PX120	PX120	PX120	PX120X	PX140	PX140	PX140	PX140
TCR 9	2-1/8	PX80	PX80	PX90	PX90	PX12	PX140	PX140	PX140	
DCR 10	3-1/2			PX140	PX140	PX140	PX140	PX140	PX140	
TCR 10	2-3/8	PX90	PX90	PX90	PX90	PX120	PX140	PX140	PX140	PX140
DCR 11	3-3/4			PX140	PX140	PX140	PX140	PX140	PX140	PX140
TCR 11	2-3/8	PX90	PX90	PX90	PX90	PX120	PX140	PX140	PX140	PX140
DCR 12	3-3/4			PX140	PX140	PX140	PX140	PX140	PX140	PX140
TCR 12	2-3/8	PX90	PX90	PX90	PX90	PX120	PX140	PX140	PX140	PX140

■ Frame size reference with motor shaft diameter shown in parentheses

◆ For Backstop reducer, size 7 thru 12, see UA and NA dimension page G3-35; change out TL Bushing or Finish bore hub to fit smaller input shaft diameter of Backstop reducer.

+ TEFC-XE Frame, Energy Efficient Motors"

RELATED PRODUCTS



MAXUM Concentric Reducer

GRID-LIGN COUPLING SELECTION ◆

RED. SIZE	RED. INPUT SHFT. DIA.	Coupling Sizes Used on Various HP A-C Motors @ 1750 RPM ■										
		1	1-1/2	2	3	5	7-1/2	10	15	20	25	30
		143T (7/8)	145T (7/8)	145T (7/8)	182T (1-1/8)	184T (1-1/8)	213T (1-3/8)	215T (1-3/8)	254T (1-5/8)	256T (1-5/8)	284T (1-7/8)	286T (1-7/8)
DCR 4	1-5/8	1040T10	1040T10	1040T10	1040T10	1040T10	1040T10	1040T10	1040T10	1040T10	1050T10	1050T10
TCR 4	1-5/8	1040T10	1040T10	1040T10	1040T10	1040T10	1040T10	1040T10	1040T10	1040T10	1050T10	
DCR 5	2-1/8	1040T10	1040T10	1040T10	1060T10	1060T10	1060T10	1060T10	1060T10	1060T10	1060T10	1060T10
TCR 5	1-5/8				1040T10	1040T10	1040T10	1040T10	1040T10	1040T10	1050T10	1050T10
DCR 6	2-1/8						1060T10	1060T10	1060T10	1060T10	1060T10	1060T10
TCR 6	1-5/8				1040T10	1040T10	1040T10	1040T10	1040T10	1040T10	1050T10	1050T10
DCR 7	2-5/8						1050T10	1050T10	1070T10	1070T10	1070T10	1070T10
TCR 7	1-7/8								1050T10	1050T10	1050T10	1050T10
DCR 9	3											
TCR 9	2-1/8								1060T10	1060T10	1060T10	1060T10
DCR 10	3-1/2											
TCR 10	2-3/8								1070T10	1070T10	1070T10	1070T10
DCR 11	3-3/4											
TCR 11	2-3/8								1070T10	1070T10	1070T10	1070T10
DCR 12	3-3/4											
TCR 12	2-3/8										1070T10	1070T10

RED. SIZE	RED. INPUT SHFT. DIA.	Coupling Sizes Used on Various HP A-C Motors @ 1750 RPM ■								
		40	50	60	75	100	125	150	200	250
		324T (2-1/8)	326T (2-1/8)	364T (2-3/8)	365T (2-3/8)	405T+ (2-7/8)	444T+ (3-3/8)	445T+ (3-3/8)	447T+ (3-3/8)	449T+ (3-3/8)
DCR 4	1-5/8	1060T10	1060T10							
TCR 4	1-5/8									
DCR 5	2-1/8	1060T10	1060T10	1070T10	1070T10					
TCR 5	1-5/8									
DCR 6	2-1/8	1060T10	1060T10	1070T10	1070T10					
TCR 6	1-5/8	1060T10	1060T10	1070T10	1070T10					
DCR 7	2-5/8	1070T10	1070T10	1070T10	1070T10	1080T10	1090T10	1090T10	1090T10	1090T10
TCR 7	1-7/8	1060T10	1060T10	1070T10	1070T10					
DCR 9	3	1080T10	1080T10	1080T10	1080T10	1080T10	1090T10	1090T10	1090T10	1090T10
TCR 9	2-1/8	1060T10	1060T10	1070T10	1070T10	1080T10	1090T10	1090T10	1090T10	1090T10
DCR 10	3-1/2	1070T10	1070T10	1090T10	1090T10	1090T10	1090T10	1090T10	1090T10	1090T10
TCR 10	2-3/8			1070T10	1070T10	1080T10	1090T10	1090T10	1090T10	1090T10
DCR 11	3-3/4	1070T10	1070T10	1090T10	1090T10	1090T10	1090T10	1090T10	1090T10	1090T10
TCR 11	2-3/8			1070T10	1070T10	1080T10	1090T10	1090T10	1090T10	1090T10
DCR 12	3-3/4	1070T10	1070T10	1090T10	1090T10	1090T10	1090T10	1090T10	1090T10	1090T10
TCR 12	2-3/8			1070T10	1070T10	1080T10	1090T10	1090T10	1090T10	1090T10

■ Frame size reference with motor shaft diameter shown in parentheses

◆ For Backstop reducer, size 7 thru 12, see UA and NA dimension page G3-35; change out TL Bushing or Finish bore hub to fit smaller input shaft diameter of Backstop reducer.

+ TEFC-XE Frame, Energy Efficient Motors™

FEATURES/BENEFITS PAGE G3-2	SPECIFICATION PAGE G3-4	EASY SELECTION PAGE G3-6	SELECTION/DIMENSIONS PAGE G3-23
--------------------------------	----------------------------	-----------------------------	------------------------------------



MAXUM Concentric Reducer

HORSEPOWER METHOD OF SELECTION

Step 1: Determine Service Factor - See Table 2 for electric motor, hydraulic motor, steam turbine or gas turbine driven applications operating up to 10 hours per day or over 10 hours per day. If the application is engine driven, refer to Table 1 to convert the service factor obtained from Table 2 to the service factor required for engine driven applications. Service factor recommendations are minimum. (For extreme shock or high energy loads which must be absorbed, as when stalling, or for power sources not listed, consult DODGE for special consideration.)

Step 2: Calculate Equivalent Horsepower - Multiply the actual horsepower to be transmitted by the service factor obtained from Step 1.

CAUTION: Instantaneous gear loading is limited to 200% of the reducer rating. Do not allow starting load or other peak loads to exceed this value. Failure to observe this precaution could result in damage to, or destruction of, the equipment.

Step 3: Calculate Required Ratio - Divide the high speed shaft rpm by the low speed shaft rpm.

Step 4: Determine Unit Size and Ratio - Refer to the horsepower tables on pages G3-58, G3-61 and G3-65. From the high speed input shaft rpm in the left hand column and desired ratio and output speed in the next two columns, trace right into the table and find the horsepower rating equal to or greater than the equivalent horsepower obtained from Step 2. (When the required input speed falls between those tabulated, use straight line interpolation to determine the unit rating.)

Step 5: Check Thermal Ratings - When the horsepower rating of the reducer selected from Step 4 falls in the shaded area, compare the actual horsepower required (without service factor) with the thermal horsepower capacity by referring to the thermal horsepower rating tables on pages G3-66 and G3-67. If the actual transmitted horsepower exceeds the thermal capacity, an auxiliary cooling fan or a heat exchanger may be added to provide additional thermal capacity or a larger reducer may be required.

NOTE: On applications where the continuous running time never exceeds three hours and the idle time is equal to or greater than the running time, thermal limitations can be disregarded and the unit operated at loads up to the listed mechanical rating modified by applicable service factors.

Step 6: Check Overhung and Thrust Loads - Refer to the Overhung Load explanation on page G3-56. Overhung loads may be imposed on the input or output shafts when connected by means other than a coupling. If overhung loads are present, refer to the method and example for calculating overhung loads.

External thrust loads may exist in applications such as agitators, mixers and similar equipment. Calculate the direction and magnitude of the thrust as well as the direction of the shaft rotation and consult DODGE.

Step 7: Variable Speed Applications - When mounting variable speed AC or DC motors, consult the guidelines on pages G3-79 and G3-80.

Step 8: Check Dimensions - See applicable pages for dimensions, weights, part numbers and instructions on how to order.

TORQUE METHOD OF SELECTION

Determine service factor, equivalent torque and unit size using the same steps as outlined above for the horsepower method, except in Step 4 refer to the torque tables on pages G3-59 and G3-65. Interpolate for speeds not listed. When ratings are shown in the shaded area, convert the required torque without service factor to horsepower by using the following formula:

$$\text{Horsepower} = \frac{\text{Torque (lb-in)} \times \text{Low Speed Shaft rpm}}{63025}$$

and compare the computed results with the thermal capacities shown in Table 20, page G3-66 and G3-67.

EXAMPLES OF SELECTION

Horsepower Method

A centrifugal pump operating at 230 rpm is driven by a 200 horsepower 1750 rpm motor. The duty cycle is 24 hours per day. Both the input and output reducer shafts are coupling connected.

Step 1: Determine Service Factor - From Table 2, Service Factors, locate "Pumps - Centrifugal" and under the column headed "10+ Hrs/Day Service" find the Service Factor which is 1.25.

Step 2: Calculate Equivalent Horsepower - Multiply the motor horsepower by the service factor (200 x 1.25 = 250) to get the equivalent horsepower of 250.

Step 3: Calculate Required Ratio - Divide the high speed shaft rpm by the low speed shaft rpm (1750 / 230 = 7.6) to get the required ratio of 7.6:1.

Step 4: Determine Unit Size and Ratio - Locate the horsepower table for 1750 high speed shaft rpm (Table 14, page G3-57). Trace down the ratio column to the closest nominal ratio to the 7.6:1 required ratio and find 7.59:1 ratio. Trace to the right until the horsepower equals or exceeds the calculated equivalent horsepower of 250 and find 323 horsepower listed under a MAXUM size 7 reducer.

Step 5: Check Thermal Ratings - Because the 323 mechanical horsepower rating for the MAXUM size 7 reducer fell in the shaded area, the thermal capacity must be checked. Refer to the thermal horsepower rating tables on page G3-66. Locate the table for 1750 high speed shaft rpm and find the thermal ratings for the MAXUM size 7 reducer. Note that the thermal rating without a fan is 150 horsepower and that the thermal rating with a fan is 273 horsepower. When a dash (-) is shown, the dash means that the thermal capacity exceeds the mechanical capacity. Since the actual transmitted horsepower

FEATURES/BENEFITS PAGE G3-2	SPECIFICATION PAGE G3-4	EASY SELECTION PAGE G3-6	SELECTION/DIMENSIONS PAGE G3-24
--------------------------------	----------------------------	-----------------------------	------------------------------------



ENGINEERING/TECHNICAL

MAXUM Concentric Reducer

of 200 exceeds the 150 thermal rating without a fan, an auxiliary cooling fan is required.

Step 6: Check Overhung and Thrust Loads - Since both shafts are coupling connected, overhung or thrust loads are not applied.

Step 7: Variable Speed Applications - Since this is a constant speed application, variable speed does not apply.

Step 8: Check Dimensions - Refer to the specifications/ dimensions page G3-29 for DODGE MAXUM size 7 reducers. The part number for the reducer is **299140** and for the auxiliary cooling fan is **299523**. The exact ratio of the reducer is given in Table 25, page G3-72 and is 7.527:1.

TORQUE METHOD

Running 10 hours a day, a scum breaker for a sewage disposal system requires 51,350 lb-in of torque at 230 rpm and has an overhung load of 6,710 pounds on the low speed shaft. The overhung load is located 4 inches out from the reducer on the usable shaft extension. The motor speed is 1170 rpm and is coupling connected.

Step 1: Determine Service Factor - From Table 2, Service Factors, locate "Sewage Disposal - Scum Breakers" and under the column headed "3-10 Hrs/Day Service" locate the service factor which is 1.50.

Step 2: Calculate Equivalent Torque - Multiply the system torque of 51,350 by the service factor of 1.50 (51,350 x 1.50 = 77,025) to get 77,025 lb-in equivalent torque.

Step 3: Calculate Required Ratio - Divide the high speed shaft rpm by the low speed shaft rpm (1170 / 230 = 5.09) to get the required ratio of 5.09:1.

Step 4: Determine Unit Size and Ratio - Locate the torque table for 1170 high speed shaft rpm (Table 14, G3-58). Trace down the ratio column to the closest nominal ratio to the 5.09:1 required ratio and find 5.06:1 ratio. Trace to the right until the torque equals or exceeds the calculated equivalent torque of 77,025 and find 77,700 listed under a MAXUM size 7 reducer.

Step 5: Check Thermal Ratings - Because the 77,700 mechanical rating falls in the shaded area, the thermal ratings must be checked. First, convert the required torque without service factor (51,350) to horsepower at 230 rpm as follows:

$$\text{Horsepower} = \frac{510350 \times 230}{63025} = 187 \text{ hp}$$

Locate the table for the thermal horsepower ratings at 1170 high speed shaft rpm and find the MAXUM size 7 reducer with a 5.06 ratio. Since the 187 calculated horsepower exceeds the thermal rating shown without a fan, an auxiliary cooling fan is required.

Step 6: Check Overhung and Thrust Loads - An overhung load of 6,710 pounds is on the low speed shaft. It must first be adjusted for it's position on the shaft. Turn to Table 22, page G3-69 load location factors for low speed shafts and locate the 4 inch distance in the left hand column. Under the MAXUM 7 column find the load location factor of 1.06. Multiply the 6,710

overhung load by this factor (6,710 x 1.06 = 7,113) to get an equivalent overhung load of 7,113 pounds. Now turn to the output shaft overhung load Table 24, page G3-72 and locate 230 low speed shaft rpm in the left column. Trace right to the MAXUM size 7 reducer and find the overhung load capacity of 7,480 pounds. Since the capacity exceeds the equivalent overhung load, the selection is acceptable.

Step 7: Variable Speed Applications - Since this is a constant speed application, variable speed does not apply.

Step 8: Check Dimensions - Refer to the specifications/ dimensions page G3-27 for DODGE MAXUM size 7 reducers. The part number for the reducer is 299138 and for the auxiliary cooling fan is 299523. The exact ratio of the reducer is given in Table 24, page G3-72 and is 5.065:1.

THRUST AND OVERHUNG LOADS - HOW TO CALCULATE

Thrust Loads as defined here are external axial forces applied to the input or output shafts. They may exist in applications such as agitators, mixers and similar equipment. Calculate the direction and magnitude of the thrust load, determine the direction of shaft rotation and consult DODGE.

Overhung Loads as defined here are external radial forces applied to the input or output shafts. They may occur in any angular position and at any distance out on the shaft from the reducer. Overhung loads may be calculated by the use of the following formula:

$$\text{OHL} = \frac{126,000 \times \text{hp} \times \text{Fc} \times \text{Lf}}{\text{PD} \times \text{rpm}}$$

- Where:
- OHL = Overhung Load (lbs.).
 - hp = Horsepower.
 - Fc = Load Connection Factor.
(See Table 13, page G3-57)
 - Lf = Load Location Factor.
(See Table 23 for High Speed Shafts)
(See Table 24 for Low Speed Shafts)
 - PD = Pitch Diameter of the Item Mounted on the Shaft (inches).
 - rpm = Speed of Shaft with Overhung Load on it in Revolutions Per Minute.
(Interpolate for shaft speeds not listed)

Use the above formula to calculate the overhung load on the shaft. Compare the calculated OHL results with the values published for the reducer shaft and condition. If the calculated OHL results exceed the published values, consult DODGE or consider a larger size reducer.

Location of Load Centerline - To minimize the affects of overhung loads and to increase bearing life, the centerline of the overhung load should always be located as close to the reducer oil seal as possible. For many applications the unit will accommodate more overhung load than is published. Overhung load ratings have been established for the most unfavorable combination of conditions that will be encountered.



ENGINEERING/TECHNICAL

MAXUM Concentric Reducer

Overhung Loads - Examples

High Speed Shaft Example - A MAXUM size 4 reducer with a 47.08:1 ratio is driven by a 1750 rpm 7 1/2 hp electric motor through a set of V-Belts at 870 rpm of the high speed shaft. The V-Belt drive consists of a 4.0" PD driver (2A3.6B4.0-1610) and a 8.6" PD driven sheave (2A8.2B8.6-2517). The driven sheave is mounted as close to the reducer oil seal as possible while allowing 1/4" for a guard thereby making the centerline of the belt pull 1.125" out from the reducer on the high speed shaft.

High Speed Shaft Calculation - Using the OHL equation previously given and substituting for the values as follows:

- hp = 7.5 (Motor Horsepower)
- Fc = 1.5 (From Table 13 for V-Belts)
- Lf = 0.975 (From Table 23 for MAXUM size 4 at 1.125,)
- PD = 8.6 (Driven sheave pitch diameter)
- rpm = 870 (High speed shaft rpm)

$$OHL = \frac{126,000 \times 7.5 \times 1.5 \times 0.975}{8.6 \times 870} = 185 \text{ pounds}$$

Turn to Table 23, High Speed Shaft Overhung Load, and in the left hand column locate 870 rpm and in the ratio column locate the 47.08 ratio. Trace right to the MAXUM size 4 and note that the High Speed Shaft Overhung Load capacity is 540 pounds. Since the 540 pound capacity exceeds the calculated overhung load of 185 pounds, the overhung load capacity is acceptable.

Low Speed Shaft Example - A MAXUM size 6 reducer is used to drive a uniformly loaded belt conveyor 24 hours per day. The reducer is driven by a 50 hp, 1750 rpm, electric motor coupled to the high speed shaft. The low speed shaft is rotating at 83.6 rpm and has a 160BTL26-3535 single strand sprocket with an oil tight chain casing mounted on it. The sprocket has a pitch diameter of 16.592 inches and the centerline of the teeth is located 4 inches out on the shaft.

Low Speed Calculation - Using the OHL equation previously given and substituting for the values as follows:

- hp = 50.0 (Motor Horsepower)
- Fc = 1.0 (From Table 13 for Sprockets)
- Lf = 1.11 (From Table 22 for MAXUM size 6 at 4,)
- PD = 16.592 (Driving sprocket pitch diameter)
- rpm = 83.6 (Low speed shaft rpm)

$$OHL = \frac{126,000 \times 50.0 \times 1.0 \times 1.11}{16,592 \times 83.6} = 5041 \text{ pounds}$$

Turn to Table 24, page G3-72, Low Speed Shaft Overhung Load, and in the left hand column locate the low speed shaft speed of 83.6 rpm. Trace right to the MAXUM size 6 and note that the low speed shaft overhung load capacity is 8250 pounds. Since the 8025 pound capacity exceeds the calculated overhung load of 5041 pounds, the overhung load capacity is acceptable.

Table 13: Load Connection Factors - Fc

Drive Type	Fc
Roller Chain Sprocket	1.0
Machined Pinion or Gear	1.25
Synchronous Belt	1.3
V-Belt	1.5
V-Ribbed Belt	1.7
Flat Belt	2.5

FEATURES/BENEFITS PAGE G3-2	SPECIFICATION PAGE G3-4	EASY SELECTION PAGE G3-6	SELECTION/DIMENSIONS PAGE G3-24
--------------------------------	----------------------------	-----------------------------	------------------------------------

ENGINEERING/TECHNICAL



MAXUM Concentric Reducer

Table 14: 1750, 1450 RPM Input - Input Horsepower Ratings

High Speed Shaft RPM	AGMA Nominal Ratio	Approx. Low Speed Shaft RPM	Unit Red.	Rating Data @ 1.0 Service Factor for MAXUM unit size of:								
				4	5	6	7	9	10	11	12	
1750	2.25	777.8	DOUBLE	127	183	248						
	2.75	636.4		122	165	224						
	3.37	519.3		109	147	199						
	4.13	423.7		123	184	221						
	5.06	345.8		111	165	197	402	506	789	1111	1602	
	6.20	282.3		97.3	146	174	345	468	699	1000	1428	
	7.59	230.6		86.0	127	153	323	417	613	884	1284	
	9.30	188.2		75.8	111	135	270	367	538	790	1105	
	11.39	153.6		66.2	95.4	119	230	325	477	690	964	
	13.95	125.4		58.4	78.3	102	190	283	418	604	814	
	17.09	102.4	51.0	63.9	91.4	156	247	370	531	696		
	20.93	83.6	43.1	53.0	79.7	132	216	319	458	596		
	25.63	68.3	34.7	43.5	71.0	108	189	277	375	493		
	31.39	55.8	TRIPLE	30.1	35.2	57.4	87.5	163	233	301	403	
	38.44	45.5		25.1	30.9	50.0	76.8	138	204	272	346	
	47.08	37.2		21.0	26.8	43.6	65.0	114	173	228	291	
	57.67	30.4		17.6	22.3	36.2	54.9	94.2	141	189	242	
	70.62	24.8		14.1	18.3	30.8	45.8	78.2	116	158	198	
	86.50	20.2		11.8	14.6	25.1	37.7	63.9	100	131	164	
	105.90	16.5		9.90	11.9	20.0	31.8	52.7	81.7	108	134	
129.70	13.5	8.21		9.7	16.9	26.5	43.7	67.2	90.3	112		
158.90	11.0	6.84		8.05	13.8	21.5	36.3	56.1	75.1	93.1		
194.60	9.0	5.38		6.60	11.6	17.9	30.1	46.1	62.5	75.7		
1450	2.25	644.4	DOUBLE	106	154	218						
	2.75	527.3		103	138	196						
	3.37	430.3		92.2	124	175						
	4.13	351.1		106	161	194						
	5.06	286.6		96.9	144	173	349	427	692	974	1404	
	6.20	233.9		85.3	128	153	300	399	613	877	1252	
	7.59	191.0		75.4	112	134	275	365	538	775	1126	
	9.30	155.9		66.4	96.7	119	231	322	471	693	961	
	11.39	127.3		58.1	80.9	104	195	285	418	605	830	
	13.95	103.9		51.2	66.3	89.6	162	248	366	529	700	
	17.09	84.8	43.2	54.2	80.1	132	216	325	466	601		
	20.93	69.3	36.4	44.9	69.9	112	189	280	389	506		
	25.63	56.6	29.3	36.9	62.2	92.0	163	242	324	416		
	31.39	46.2	TRIPLE	25.2	30.9	50.3	76.7	142	205	263	354	
	38.44	37.7		21.2	27.1	42.8	67.3	116	172	230	291	
	47.08	30.8		17.6	22.5	36.7	54.8	95.5	146	193	245	
	57.67	25.1		14.8	18.7	30.5	46.2	79.0	119	159	203	
	70.62	20.5		11.8	15.3	25.9	38.5	65.5	98.0	133	166	
	86.50	16.8		9.94	12.3	21.0	31.8	53.5	84.3	110	137	
	105.90	13.7		8.31	9.97	16.8	26.7	44.1	68.7	90.9	112	
129.70	11.2	6.89		8.14	14.2	22.2	36.5	56.5	76.0	94.0		
158.90	9.1	5.75		6.75	11.6	18.0	30.4	47.2	63.0	77.9		
194.60	7.5	4.51		5.54	9.70	15.0	25.1	38.7	52.5	63.3		

Mechanical HP ratings shown in shaded areas exceed the unit thermal HP ratings.

Refer to Thermal HP Table 20, page G3-66.



ENGINEERING/TECHNICAL

MAXUM Concentric Reducer

Table 15: 1750, 1450 RPM Input - Output Torque Ratings (In. - Lb.)

High Speed Shaft RPM	AGMA Nominal Ratio	Approx. Low Speed Shaft RPM	Unit Red.	Rating Data @ 1.0 Service Factor for MAXUM unit size of (multiply value shown by 1000):									
				4	5	6	7	9	10	11	12		
1750	2.25	777.8	DOUBLE	9.81	14.3	19.5							
	2.75	636.4		11.3	15.7	21.5							
	3.37	519.3		12.5	17.0	23.4							
	4.13	423.7		17.5	26.2	31.6							
	5.06	345.8		19.0	28.5	34.3	70.4	89.3	135	196	282		
	6.20	282.3		20.7	30.7	37.2	73.1	99.5	148	212	307		
	7.59	230.6		22.6	33.1	40.5	84.1	108	161	231	332		
	9.30	188.2		24.3	35.4	43.4	86.0	117	175	248	356		
	11.39	153.6		26.2	37.5	46.6	89.1	126	187	269	377		
	13.95	125.4		28.1	37.9	50.4	91.6	136	201	290	394		
	17.09	102.4	30.0	37.9	53.3	94.3	146	214	310	407			
	20.93	83.6	30.6	37.9	57.0	96.3	157	231	330	425			
	25.63	68.3	31.4	37.9	60.5	95.6	167	248	328	436			
	31.39	55.8	Triple	32.1	37.4	62.3	90.4	169	250	319	427		
	38.44	45.5		32.5	40.5	68.0	98.5	178	268	355	453		
	47.08	37.2		33.3	43.0	70.1	105	181	273	362	460		
	57.67	30.4		33.7	43.0	71.4	107	184	279	370	467		
	70.62	24.8		34.3	43.0	72.4	108	186	285	377	474		
	86.50	20.2		34.8	43.0	73.2	110	188	289	384	480		
	105.90	16.5		35.3	43.0	73.2	112	190	294	391	486		
129.70	13.5	35.9		43.0	73.2	114	192	300	397	491			
158.90	11.0	36.2		43.0	73.2	116	194	304	405	496			
194.60	9.0	36.2		43.0	73.2	117	196	309	410	502			
1450	2.25	644.4	DOUBLE	9.81	14.5	20.7							
	2.75	527.3		11.5	15.9	22.7							
	3.37	430.3		12.8	17.2	24.7							
	4.13	351.1		18.2	27.7	33.5							
	5.06	286.6		20.1	30.1	36.3	73.8	90.9	143	208	298		
	6.20	233.9		21.9	32.5	39.3	76.5	103	156	225	325		
	7.59	191.0		23.9	35.1	42.9	86.5	114	170	244	351		
	9.30	155.9		25.7	37.4	45.9	89.0	124	185	262	374		
	11.39	127.3		27.8	38.4	49.3	91.3	133	198	285	392		
	13.95	103.9		29.7	38.8	53.3	93.8	144	213	307	409		
	17.09	84.8	30.6	38.8	56.4	96.4	155	227	328	424			
	20.93	69.3	31.2	38.8	60.3	98.4	166	245	338	435			
	25.63	56.6	32.0	38.8	64.1	98.6	174	262	342	444			
	31.39	46.2	Triple	32.5	39.6	65.9	95.7	178	265	337	451		
	38.44	37.7		33.1	42.8	70.2	104	181	273	362	460		
	47.08	30.8		33.7	43.6	71.3	107	183	278	369	467		
	57.67	25.1		34.2	43.6	72.5	108	186	284	376	473		
	70.62	20.5		34.8	43.6	73.6	110	188	289	383	480		
	86.50	16.8		35.3	43.6	74.2	112	190	294	390	486		
	105.90	13.7		35.8	43.6	74.2	114	192	299	397	491		
129.70	11.2	36.3		43.6	74.2	115	194	304	403	496			
158.90	9.1	36.7		43.6	74.2	117	196	308	410	501			
194.60	7.5	36.7		43.6	74.2	119	197	313	416	506			

Torque ratings shown in shaded areas exceed the unit thermal HP ratings.

Convert torque (without service factor) to HP per the formula given on page G3-56.

Refer to Thermal HP Table 20, page G3-66.

FEATURES/BENEFITS PAGE G3-2	SPECIFICATION PAGE G3-4	EASY SELECTION PAGE G3-6	SELECTION/DIMENSIONS PAGE G3-24
--------------------------------	----------------------------	-----------------------------	------------------------------------

ENGINEERING/TECHNICAL



MAXUM Concentric Reducer

Table 16: 1170, 870, 720 RPM Input - Input Horsepower Ratings

High Speed Shaft RPM	AGMA Nominal Ratio	Approx. Low Speed Shaft RPM	Unit Red.	Rating Data @ 1.0 Service Factor for MAXUM unit size of:									
				4	5	6	7	9	10	11	12		
1170	2.25	520.0	DOUBLE	85.2	126	182							
	2.75	425.5		84.7	113	163							
	3.37	347.2		75.5	101	144							
	4.13	283.3		85.2	139	167							
	5.06	231.2		83.4	124	149	297	351	595	838	1209		
	6.20	188.7		73.4	110	131	255	329	527	755	1077		
	7.59	154.2		64.8	96.1	115	229	304	463	667	969		
	9.30	125.8		57.1	80.1	102	192	276	406	596	816		
	11.39	102.7		50.0	66.9	89.4	162	245	360	520	699		
	13.95	83.9		42.7	54.3	77.1	134	213	315	455	589		
	17.09	68.5		35.6	44.4	68.9	109	186	279	387	499		
	20.93	55.9		30.0	36.8	60.1	92.4	161	241	322	417		
	25.63	45.6	24.1	30.2	52.5	76.8	135	200	270	342			
	31.39	37.3	20.8	26.6	43.2	66.0	116	171	227	291			
	38.44	30.4	17.4	22.4	35.2	55.5	95.2	142	189	239			
	47.08	24.9	14.5	18.3	30.2	45.1	78.1	120	159	200			
	57.67	20.3	12.1	15.2	25.0	38.0	64.5	97.8	131	166			
	70.62	16.6	9.7	12.5	21.2	31.6	53.5	80.5	110	136			
	86.50	13.5	8.15	9.97	17.1	26.0	43.6	69.3	90.5	112			
	105.90	11.0	6.81	8.10	13.6	21.9	35.9	56.4	74.6	91.8			
	129.70	9.0	5.64	6.61	11.5	18.2	29.7	46.3	62.3	76.7			
	158.90	7.4	4.67	5.49	9.4	14.8	24.7	38.7	51.6	63.5			
	194.60	6.0	3.67	4.5	7.88	12.3	20.4	31.7	43.1	51.6			
	870	2.25	386.7	DOUBLE	63.4	95.6	139						
		2.75	316.4		63.4	86.2	124						
3.37		258.2	57.3		77.0	109							
4.13		210.7	63.4		113	136							
5.06		171.9	63.4		101	121	236	269	484	681	982		
6.20		140.3	59.4		89.6	107	203	252	429	613	875		
7.59		114.6	52.7		74.2	93.5	177	232	376	542	769		
9.30		93.5	46.4		61.6	82.9	148	211	330	484	643		
11.39		76.4	38.9		50.5	72.7	124	190	293	423	548		
13.95		62.4	32.7		41.0	62.7	103	173	256	354	453		
17.09		50.9	27.2		33.5	56.0	83.7	148	227	298	381		
20.93		41.6	22.9		27.8	47.2	70.7	123	186	247	318		
25.63		33.9	18.4	22.8	39.6	59.1	102	153	207	260			
31.39		27.7	15.8	20.7	33.0	51.6	88.2	131	175	221			
38.44		22.6	13.2	16.8	26.8	42.3	72.1	108	145	181			
47.08		18.5	11.0	13.7	23.0	34.3	59.1	91.5	121	152			
57.67		15.1	9.21	11.4	19.0	28.9	48.7	74.6	100	126			
70.62		12.3	7.36	9.32	15.9	24.1	40.4	61.3	83.6	103			
86.50		10.1	6.18	7.46	12.8	19.8	32.9	52.7	68.9	84.7			
105.90		8.2	5.16	6.06	10.2	16.6	27.1	42.9	56.8	69.2			
129.70		6.7	4.23	4.95	8.62	13.8	22.4	35.2	47.4	57.8			
158.90		5.5	3.49	4.11	7.03	11.2	18.6	29.4	39.2	47.8			
194.60		4.5	2.74	3.37	5.89	9.3	15.4	24.1	32.7	38.8			

Mechanical HP ratings shown in shaded areas exceed the unit thermal HP ratings.

Refer to Thermal HP Table 20, page G3-66.



ENGINEERING/TECHNICAL

MAXUM Concentric Reducer

Table 16: 1170, 870, 720 RPM Input - Input Horsepower Ratings (Continued)

High Speed Shaft RPM	AGMA Nominal Ratio	Approx. Low Speed Shaft RPM	Unit Red.	Rating Data @ 1.0 Service Factor for MAXUM unit size of:								
				4	5	6	7	9	10	11	12	
720	2.25	320.0	DOUBLE	52.4	80.2	116						
	2.75	261.8		52.4	72.3	104						
	3.37	213.6		48.1	64.6	91.6						
	4.13	174.3		52.4	95.4	119						
	5.06	142.3		52.4	85.9	106	204	226	424	597	861	
	6.20	116.1		50.0	75.9	93.6	175	212	375	537	765	
	7.59	94.9		46.2	62.7	81.9	150	196	329	475	661	
	9.30	77.4		39.6	52.0	72.6	125	178	289	424	550	
	11.39	63.2		32.8	42.7	63.7	105	161	256	360	462	
	13.95	51.6		27.5	34.6	54.9	86.7	151	224	300	381	
	17.09	42.1	22.9	28.3	48.8	70.6	125	191	251	321		
	20.93	34.4	19.3	23.5	39.9	59.6	103	157	208	267		
	25.63	28.1	15.4	19.2	33.4	49.7	85.8	129	175	218		
	31.39	22.9	13.3	17.2	27.7	43.4	73.8	110	147	185		
	38.44	18.7	11.1	14.0	22.5	35.6	60.3	91.0	122	152		
	47.08	15.3	9.23	11.4	19.3	28.9	49.4	77.0	102	127		
	57.67	12.5	7.73	9.46	15.8	24.3	40.7	62.7	84.0	105		
	70.62	10.2	6.17	7.76	13.2	20.2	33.7	51.5	70.2	85.7		
	86.50	8.3	5.18	6.22	10.7	16.6	27.4	44.2	57.8	70.8		
	105.90	6.8	4.31	5.05	8.5	13.9	22.6	35.9	47.6	57.8		
129.70	5.6	3.52	4.12	7.18	11.6	18.7	29.5	39.7	48.2			
158.90	4.5	2.91	3.42	5.86	9.38	15.5	24.6	32.9	39.9			
194.60	3.7	2.29	2.80	4.91	7.76	12.8	20.2	27.4	32.3			

Mechanical HP ratings shown in shaded areas exceed the unit thermal HP ratings.
Refer to Thermal HP Table 20, page G3-66.

FEATURES/BENEFITS PAGE G3-2	SPECIFICATION PAGE G3-4	EASY SELECTION PAGE G3-6	SELECTION/DIMENSIONS PAGE G3-24
--------------------------------	----------------------------	-----------------------------	------------------------------------

ENGINEERING/TECHNICAL



MAXUM Concentric Reducer

Table 17: 1170, 870, 720 RPM Input - Output Torque Ratings (In. - Lb.)

High Speed Shaft RPM	AGMA Nominal Ratio	Approx. Low Speed Shaft RPM	Unit Red.	Rating Data @ 1.0 Service Factor for MAXUM unit size of (multiply value shown by 1000):									
				4	5	6	7	9	10	11	12		
1170	2.25	520.0	DOUBLE	9.81	14.7	21.4							
	2.75	425.5		11.7	16.1	23.3							
	3.37	347.2		13.0	17.5	25.2							
	4.13	283.3		18.2	29.5	35.7							
	5.06	231.2		21.4	32.1	38.7	77.7	92.8	153	221	318		
	6.20	188.7		23.4	34.7	41.9	80.5	105	167	239	347		
	7.59	154.2		25.5	37.4	45.7	89.1	118	182	261	374		
	9.30	125.8		27.4	38.4	49.0	91.5	131	197	280	394		
	11.39	102.7		29.6	39.3	52.6	93.8	142	211	304	409		
	13.95	83.9		30.7	39.3	56.8	96.2	153	227	327	426		
	17.09	68.5		31.3	39.3	60.1	98.7	165	242	338	436		
	20.93	55.9		31.9	39.3	64.3	101	175	261	347	444		
	25.63	45.6	32.6	39.3	66.9	102	178	268	354	453			
	31.39	37.3	33.2	42.3	70.2	102	181	273	360	460			
	38.44	30.4	33.7	43.9	71.6	106	184	279	370	468			
	47.08	24.9	34.3	43.9	72.6	109	186	284	377	474			
	57.67	20.3	34.8	43.9	73.8	110	188	289	384	480			
	70.62	16.6	35.4	43.9	74.7	112	190	295	390	486			
	86.5	13.5	35.9	43.9	74.7	114	192	299	397	491			
	105.9	11.0	36.4	43.9	74.7	116	194	304	404	497			
129.7	9.0	36.9	43.9	74.7	117	196	309	410	501				
158.9	7.4	36.9	43.9	74.7	119	197	313	416	506				
194.6	6.0	36.9	43.9	74.7	121	199	318	422	511				
870	2.25	386.7	DOUBLE	9.81	15.00	21.9							
	2.75	316.4		11.8	16.5	23.9							
	3.37	258.2		13.2	17.9	25.8							
	4.13	210.7		18.2	32.3	39.0							
	5.06	171.9		21.9	35.1	42.3	83.3	95.4	167	242	348		
	6.20	140.3		25.4	37.8	45.8	86.2	108	182	262	379		
	7.59	114.6		27.8	38.8	50.0	92.6	121	199	285	400		
	9.30	93.5		30.0	39.8	53.5	94.9	135	215	306	417		
	11.39	76.4		31.0	39.9	57.5	97.1	148	231	332	431		
	13.95	62.4		31.6	39.9	62.1	99.4	168	248	342	440		
	17.09	50.9		32.2	39.9	65.7	102	176	264	350	448		
	20.93	41.6		32.8	39.9	67.9	104	180	270	358	456		
	25.63	33.9	33.5	39.9	67.9	106	182	276	365	464			
	31.39	27.7	34.0	44.2	72.0	107	184	281	373	470			
	38.44	22.6	34.5	44.2	73.3	109	187	287	380	477			
	47.08	18.5	35.0	44.2	74.3	111	189	291	387	483			
	57.67	15.1	35.5	44.2	75.2	113	191	297	394	488			
	70.62	12.3	36.2	44.2	75.2	115	193	302	400	494			
	86.5	10.1	36.6	44.2	75.2	116	195	306	407	499			
	105.9	8.2	37.1	44.2	75.2	118	197	311	413	504			
129.7	6.7	37.1	44.2	75.2	120	198	316	419	508				
158.9	5.5	37.1	44.2	75.2	121	200	320	425	512				
194.6	4.5	37.1	44.2	75.2	123	201	324	431	517				

Torque ratings shown in shaded areas exceed the unit thermal HP ratings.

Refer to Thermal HP Table 20, page G3-66

Convert torque (without service factor) to HP per the formula on page G3-56.



ENGINEERING/TECHNICAL

MAXUM Concentric Reducer

Table 17: 1170, 870, 720 RPM Input - Output Torque Ratings (In. - Lb.)

High Speed Shaft RPM	AGMA Nominal Ratio	Approx. Low Speed Shaft RPM	Unit Red.	Rating Data @ 1.0 Service Factor for MAXUM unit size of (multiply value shown by 1000):								
				4	5	6	7	9	10	11	12	
720	2.25	320.0	DOUBLE	9.81	15.3	22.2						
	2.75	261.8		11.80	16.7	24.2						
	3.37	213.6		13.4	18.1	26.1						
	4.13	174.3		18.2	33.0	41.3						
	5.06	142.3		21.9	36.1	44.8	86.9	97.1	177	256	368	
	6.20	116.1		25.9	38.7	48.5	89.9	110	193	277	400	
	7.59	94.9		29.4	39.7	52.9	94.8	123	210	302	415	
	9.30	77.4		30.9	40.6	56.6	97.0	138	228	324	431	
	11.39	63.2		31.6	40.8	60.9	99.1	151	244	342	439	
	13.95	51.6		32.2	40.8	65.7	101	176	263	350	448	
	17.09	42.1	32.8	40.8	69.2	104	180	269	357	456		
	20.93	34.4	33.3	40.8	69.4	106	182	275	365	463		
	25.63	28.1	34.0	40.8	69.4	107	185	281	372	470		
	31.39	22.9	Triple	34.5	44.5	73.1	109	187	286	379	476	
	38.44	18.7		35.0	44.5	74.4	111	189	291	387	483	
	47.08	15.3		35.5	44.5	75.4	113	191	296	393	488	
	57.67	12.5		36.0	44.5	75.7	115	193	301	400	493	
	70.62	10.2		36.6	44.5	75.7	116	195	306	406	499	
	86.5	8.3		37.1	44.5	75.7	118	196	310	413	503	
	105.9	6.8		37.4	44.5	75.7	120	198	315	419	508	
129.7	5.6	37.4		44.5	75.7	121	200	320	425	512		
158.9	4.5	37.4		44.5	75.7	123	201	324	431	516		
194.6	3.7	37.4		44.5	75.7	124	202	328	436	521		

Torque ratings shown in shaded areas exceed the unit thermal HP ratings.
Convert torque (without service factor) to HP per the formula on page G3-56.

Refer to Thermal HP Table 20, page G3-66

ENGINEERING/TECHNICAL



MAXUM Concentric Reducer

Table 18: 580, 100 RPM Input - Input Horsepower Ratings

High Speed Shaft RPM	AGMA Nominal Ratio	Approx. Low Speed Shaft RPM	Unit Red.	Rating Data @ 1.0 Service Factor for MAXUM unit size of:								
				4	5	6	7	9	10	11	12	
580	2.25	257.8	DOUBLE	42.2	65.6	95.2						
	2.75	210.9		42.2	59.2	85.0						
	3.37	172.1		39.3	52.9	75.0						
	4.13	140.4		42.2	78.1	102.0						
	5.06	114.6		42.2	70.3	90.9	172	186	358	513	739	
	6.20	93.5		41.1	62.6	80.4	147	174	323	462	643	
	7.59	76.4		38.5	51.7	70.4	124	161	283	408	553	
	9.30	62.4		32.6	42.4	62.4	103	146	248	360	453	
	11.39	50.9		27.0	34.6	54.7	86.6	132	220	297	380	
	13.95	41.6		22.6	28.1	46.7	71.3	124	186	247	313	
	17.09	33.9	18.8	22.9	39.7	58.0	102	158	207	263		
	20.93	27.7	15.8	19.0	32.4	48.9	84.3	129	171	219		
	25.63	22.6	12.6	15.6	27.1	40.8	70.0	106	144	179		
	31.39	18.5	10.9	13.9	22.70	35.60	60.2	90.2	121	151		
	38.44	15.1	9.1	11.3	18.4	29.2	49.1	74.7	100	124		
	47.08	12.3	7.55	9.25	15.7	23.6	40.2	63.1	83.5	104		
	57.67	10.1	6.32	7.67	12.8	19.9	33.1	51.3	68.8	85.8		
	70.62	8.2	5.05	6.29	10.7	16.5	27.4	42.1	57.5	69.7		
	86.5	6.7	4.23	5.04	8.64	13.6	22.3	36.2	47.3	57.5		
	105.9	5.5	3.49	4.09	6.89	11.4	18.3	29.4	38.9	47		
129.7	4.5	2.85	3.34	5.82	9.47	15.2	24.1	32.5	39.2			
158.9	3.7	2.36	2.77	4.75	7.62	12.6	20.1	26.8	32.4			
194.6	3.0	1.85	2.27	3.98	6.29	10.4	16.5	22.4	26.3			
100	2.25	44.4	DOUBLE	7.28	11.3	16.4						
	2.75	36.4		7.28	10.2	14.7						
	3.37	29.7		6.77	9.1	12.9						
	4.13	24.2		7.28	13.5	17.6						
	5.06	19.8		7.28	12.1	15.7	29.7	32.1	61.8	88.4	127.5	
	6.20	16.1		7.09	10.8	13.9	25.4	30.1	55.6	79.6	110.9	
	7.59	13.2		6.63	8.92	12.1	21.3	27.8	48.8	70.4	95.3	
	9.30	10.8		5.63	7.31	10.8	17.8	25.2	42.8	62.1	78.0	
	11.39	8.8		4.65	5.96	9.43	14.9	22.8	38.0	51.2	65.5	
	13.95	7.2		3.90	4.84	8.06	12.3	21.4	32.0	42.6	53.9	
	17.09	5.9	3.25	3.96	6.84	10.0	17.6	27.2	35.7	45.3		
	20.93	4.8	2.72	3.28	5.58	8.44	14.5	22.2	29.6	37.7		
	25.63	3.9	2.18	2.69	4.68	7.04	12.1	18.3	24.8	30.8		
	31.39	3.2	1.88	2.40	3.92	6.13	10.4	15.6	20.8	26.1		
	38.44	2.6	1.57	1.95	3.18	5.03	8.47	12.9	17.2	21.3		
	47.08	2.1	1.30	1.59	2.71	4.07	6.93	10.9	14.4	17.8		
	57.67	1.7	1.09	1.32	2.21	3.43	5.71	8.85	11.9	14.8		
	70.62	1.4	.870	1.08	1.85	2.85	4.72	7.26	9.91	12.0		
	86.50	1.2	.730	.869	1.49	2.34	3.84	6.24	8.16	9.9		
	105.9	.9	.602	.706	1.19	1.97	3.16	5.07	6.71	8.1		
129.7	.8	.492	.576	1.00	1.63	2.61	4.15	5.60	6.75			
158.9	.6	.407	.478	.819	1.31	2.17	3.47	4.63	5.58			
194.6	.5	.319	.392	.686	1.09	1.79	2.84	3.86	4.53			

Torque ratings shown in shaded areas exceed the unit thermal HP ratings.

Refer to Thermal HP Table 20, page G3-66

Convert torque (without service factor) to HP per the formula on page G3-56.



ENGINEERING/TECHNICAL

MAXUM Concentric Reducer

Table 19: 580, 100 RPM Input - Output Torque Ratings (In. - Lb.)

High Speed Shaft RPM	AGMA Nominal Ratio	Approx. Low Speed Shaft RPM	Unit Red.	Rating Data @ 1.0 Service Factor for MAXUM unit size of (multiply value shown by 1000):										
				4	5	6	7	9	10	11	12			
580	2.25	257.8	DOUBLE	9.81	15.5	22.6								
	2.75	210.9		11.8	17.0	24.6								
	3.37	172.1		13.6	18.4	26.5								
	4.13	140.4		18.2	33.5	44.1								
	5.06	114.6		21.9	36.7	47.8	91.1	99.1	185	273	393			
	6.20	93.5		26.4	39.7	51.8	94.1	112	206	296	417			
	7.59	76.4		30.5	40.6	56.4	97.2	126	224	322	431			
	9.30	62.4		31.6	41.0	60.4	99.3	141	243	341	440			
	11.39	50.9		32.2	41.0	64.9	101	154	260	350	448			
	13.95	41.6		32.8	41.0	69.5	104	180	270	358	457			
	17.09	33.9	33.4	41.0	69.8	106	182	275	365	463				
	20.93	27.7	33.9	41.0	69.8	108	185	281	373	470				
	25.63	22.6	34.5	41.0	69.8	109	187	287	380	477				
	100	31.39	18.5	Triple	35.1	44.7	74.4	111	189	292	387	483		
		38.44	15.1		35.6	44.7	75.7	113	191	297	394	489		
		47.08	12.3		36.1	44.7	76.2	115	193	301	400	494		
		57.67	10.1		36.6	44.7	76.2	116	195	306	407	499		
		70.62	8.2		37.2	44.7	76.2	118	196	311	413	504		
		86.50	6.7		37.6	44.7	76.2	120	198	315	419	508		
		105.9	5.5		37.6	44.7	76.2	121	200	320	425	513		
129.7		4.5	37.6		44.7	76.2	123	201	324	431	517			
158.9		3.7	37.6		44.7	76.2	124	203	328	437	521			
194.6		3.0	37.6		44.7	76.2	125	204	333	442	525			
100		2.25	44.4		DOUBLE	9.81	15.5	22.6						
		2.75	36.4			11.8	17.0	24.6						
		3.37	29.7			13.6	18.4	26.5						
		4.13	24.2			18.2	33.5	44.1						
	5.06	19.8	21.9	36.7		47.8	91.1	99.1	185	273	393			
	6.20	16.1	26.4	39.7		51.8	94.1	112	206	296	417			
	7.59	13.2	30.5	40.6		56.4	97.2	126	224	322	431			
	9.30	10.8	31.6	41.0		60.4	99.3	141	243	341	440			
	11.39	8.8	32.2	41.0		64.9	101	154	260	350	448			
	13.95	7.2	32.8	41.0		69.5	104	180	270	358	457			
	17.09	5.9	33.4	41.0	69.8	106	182	275	365	463				
	20.93	4.8	33.9	41.0	69.8	108	185	281	373	470				
	25.63	3.9	34.5	41.0	69.8	109	187	287	380	477				
	100	31.39	3.2	Triple	35.1	44.7	74.4	111	189	292	387	483		
		38.44	2.6		35.6	44.7	75.7	113	191	297	394	489		
		47.08	2.1		36.1	44.7	76.2	115	193	301	400	494		
		57.67	1.7		36.6	44.7	76.2	116	195	306	407	499		
		70.62	1.4		37.2	44.7	76.2	118	196	311	413	504		
		86.50	1.2		37.6	44.7	76.2	120	198	315	419	508		
		105.9	.9		37.6	44.7	76.2	121	200	320	425	513		
129.7		.8	37.6		44.7	76.2	123	201	324	431	517			
158.9		.6	37.6		44.7	76.2	124	203	328	437	521			
194.6		.5	37.6		44.7	76.2	125	204	333	442	525			

Torque ratings shown in shaded areas exceed the unit thermal HP ratings
 Convert torque (without service factor) to HP per the formula given on page G3-56.
 Refer to Thermal HP Table 20, page G3-65.

FEATURES/BENEFITS PAGE G3-2	SPECIFICATION PAGE G3-4	EASY SELECTION PAGE G3-6	SELECTION/DIMENSIONS PAGE G3-24
--------------------------------	----------------------------	-----------------------------	------------------------------------



ENGINEERING/TECHNICAL

MAXUM Concentric Reducer

Table 20: Thermal Horsepower Ratings *

High Speed Shaft RPM	AGMA Nominal Ratio	Thermal Horsepower Ratings Without Fan †								Thermal Horsepower Ratings With Fan ‡							
		4	5	6	7	9	10	11	12	4	5	6	7	9	10	11	12
1750	2.25	55	55	44						-	155	185					
	2.75	62	66	72						-	-	211					
	3.37	67	74	89						-	-	-					
	4.13	51	57	61						116	138	170					
	5.06	53	61	71	143	72	0	0	0	-	137	174	285	373	299	362	256
	6.20	54	61	76	150	101	43	0	0	-	131	173	284	381	344	433	393
	7.59	54	61	81	150	121	90	69	39	-	-	-	273	385	376	473	500
	9.30	52	58	79	147	132	115	112	118	-	-	-	262	-	379	493	543
	11.39	48	55	76	140	137	126	140	158	-	-	-	-	-	368	489	548
	13.95	45	51	70	131	132	129	149	181	-	-	-	-	-	349	462	536
	17.09	41	46	64	121	126	127	151	189	-	-	-	-	-	326	436	513
	20.93	37	42	58	111	115	121	148	184	-	-	-	-	-	300	405	475
	25.63	-	39	54	100	106	110	137	179	-	-	-	-	-	268	364	445
	31.39	-	-	-	-	125	114	179	169	-	-	-	-	-	-	-	-
	38.44	-	-	-	-	111	106	161	157	-	-	-	-	-	-	-	-
	47.08	-	-	-	-	103	98	147	147	-	-	-	-	-	-	-	-
57.67	-	-	-	-	-	90	133	135	-	-	-	-	-	-	-	-	
70.62	-	-	-	-	-	81	118	125	-	-	-	-	-	-	-	-	
1450	2.25	68	72	77						-	-	204					
	2.75	72	80	95						-	-	-					
	3.37	72	82	105						-	-	-					
	4.13	56	66	78						-	136	174					
	5.06	57	66	82	159	120	60	30	0	-	132	-	280	388	352	440	406
	6.20	55	64	83	160	136	101	89	55	-	126	-	274	389	375	476	484
	7.59	55	63	84	155	144	128	131	135	-	-	-	261	-	384	493	545
	9.30	52	59	81	150	147	140	154	180	-	-	-	-	-	374	495	556
	11.39	47	55	76	142	146	142	166	199	-	-	-	-	-	358	478	547
	13.95	44	51	69	131	137	139	165	206	-	-	-	-	-	334	445	522
	17.09	41	46	64	121	129	132	160	204	-	-	-	-	-	309	413	493
	20.93	-	42	58	111	116	123	153	194	-	-	-	-	-	-	384	454
	25.63	-	-	53	-	106	111	139	185	-	-	-	-	-	-	-	-
	31.39	-	-	-	-	124	119	191	183	-	-	-	-	-	-	-	-
	38.44	-	-	-	-	113	111	172	170	-	-	-	-	-	-	-	-
	47.08	-	-	-	-	-	103	156	159	-	-	-	-	-	-	-	-
57.67	-	-	-	-	-	95	142	146	-	-	-	-	-	-	-	-	
70.62	-	-	-	-	-	85	126	136	-	-	-	-	-	-	-	-	
1170	2.25	77	84	104						-	-	169					
	2.75	77	88	113						-	-	-					
	3.37	75	87	115						-	-	-					
	4.13	60	69	88						-	104	136					
	5.06	58	68	89	168	155	123	122	101	-	101	135	219	316	295	373	371
	6.20	55	65	87	165	160	144	153	157	-	96	130	212	310	306	390	409
	7.59	54	63	85	158	160	154	172	203	-	91	-	202	299	304	392	442
	9.30	51	59	81	150	155	154	182	221	-	-	-	191	-	292	389	442
	11.39	46	55	75	142	150	151	182	226	-	-	-	-	-	278	372	430
	13.95	-	51	68	130	138	143	172	220	-	-	-	-	-	258	342	406
	17.09	-	-	62	-	129	142	165	212	-	-	-	-	-	254	320	383
	20.93	-	-	56	-	116	123	155	198	-	-	-	-	-	217	296	352
	25.63	-	-	52	-	106	111	139	187	-	-	-	-	-	193	264	328
	31.39	-	-	-	-	-	122	195	192	-	-	-	-	-	-	-	-
	38.44	-	-	-	-	-	113	175	178	-	-	-	-	-	-	-	-
	47.08	-	-	-	-	-	110	-	167	-	-	-	-	-	-	-	-
57.67	-	-	-	-	-	96	-	154	-	-	-	-	-	-	-	-	

* Actual horsepower, without service factor, that reducer will transmit continuously without overheating.
 † Values shown are horsepower ratings when thermal HP is less than mechanical HP.
 - No values listed if thermal HP is equal to or greater than mechanical HP.
 ‡ For thermal capacities beyond the range of cooling fans, refer to heat exchanger page G3-38 or consult DODGE.



ENGINEERING/TECHNICAL

MAXUM Concentric Reducer

Table 20: Thermal Horsepower Ratings (Continued)

High Speed Shaft RPM	AGMA Nominal Ratio	Thermal Horsepower Ratings Without Fan †								Thermal Horsepower Ratings With Fan							
		4	5	6	7	9	10	11	12	4	5	6	7	9	10	11	12
870	2.25	-	92	121						-	-	-					
	2.75	-	-	123						-	-	-					
	3.37	-	-	-						-	-	-					
	4.13	61	71	94						-	104	-					
	5.06	57	67	91	169	180	166	189	211	-	99	-	217	-	330	426	465
	6.2	54	64	87	163	176	170	198	231	-	-	-	-	-	323	421	467
	7.59	52	61	84	155	169	169	199	248	-	-	-	-	-	310	406	475
	9.3	-	57	79	146	159	162	197	247	-	-	-	-	-	292	392	456
	11.39	-	-	-	-	150	154	189	240	-	-	-	-	-	273	367	434
	13.95	-	-	-	-	134	142	175	227	-	-	-	-	-	250	336	403
	17.09	-	-	-	-	125	131	165	215	-	-	-	-	-	-	-	377
	20.93	-	-	-	-	113	121	153	197	-	-	-	-	-	-	-	-
	25.63	-	-	-	-	-	108	136	189	-	-	-	-	-	-	-	-
31.39	-	-	-	-	-	122	-	195	-	-	-	-	-	-	-	-	
720	2.25	-	-	-						-	-	-					
	2.75	-	-	-						-	-	-					
	3.37	-	-	-						-	-	-					
	4.13	-	70	93						-	-	-					
	5.06	-	67	90	167	186	177	209	246	-	-	-	-	-	334	436	488
	6.2	-	63	90	160	180	176	210	251	-	-	-	-	-	322	424	477
	7.59	-	60	-	-	170	170	206	259	-	-	-	-	-	306	405	476
	9.3	-	-	-	-	158	160	199	252	-	-	-	-	-	284	386	452
	11.39	-	-	-	-	148	150	189	241	-	-	-	-	-	-	-	428
	13.95	-	-	-	-	131	139	180	226	-	-	-	-	-	-	-	-
	17.09	-	-	-	-	122	129	163	212	-	-	-	-	-	-	-	-
	20.93	-	-	-	-	-	118	150	194	-	-	-	-	-	-	-	-
	25.63	-	-	-	-	-	105	133	180	-	-	-	-	-	-	-	-
580	2.25	-	-	-						-	-	-					
	2.75	-	-	-						-	-	-					
	3.37	-	-	-						-	-	-					
	4.13	-	-	-						-	-	-					
	5.06	-	-	-	161	-	183	217	264	-	-	-	-	-	-	-	-
	6.2	-	-	-	-	-	176	214	262	-	-	-	-	-	-	-	-
	7.59	-	-	-	-	-	167	204	263	-	-	-	-	-	-	-	-
	9.3	-	-	-	-	-	156	196	251	-	-	-	-	-	-	-	-
	11.39	-	-	-	-	-	145	185	238	-	-	-	-	-	-	-	-
	13.95	-	-	-	-	-	134	170	221	-	-	-	-	-	-	-	-
	17.09	-	-	-	-	-	124	158	206	-	-	-	-	-	-	-	-
	20.93	-	-	-	-	-	113	145	187	-	-	-	-	-	-	-	-
	25.63	-	-	-	-	-	101	128	174	-	-	-	-	-	-	-	-

* Actual horsepower, without service factor, that reducer will transmit continuously without overheating.
 † Values shown are horsepower ratings when thermal HP is less than mechanical HP.
 - No values listed if thermal HP is equal to or greater than mechanical HP.
 ‡ For thermal capacities beyond the range of cooling fans, refer to heat exchanger page G3-38 or consult DODGE.



ENGINEERING/TECHNICAL

MAXUM Concentric Reducer

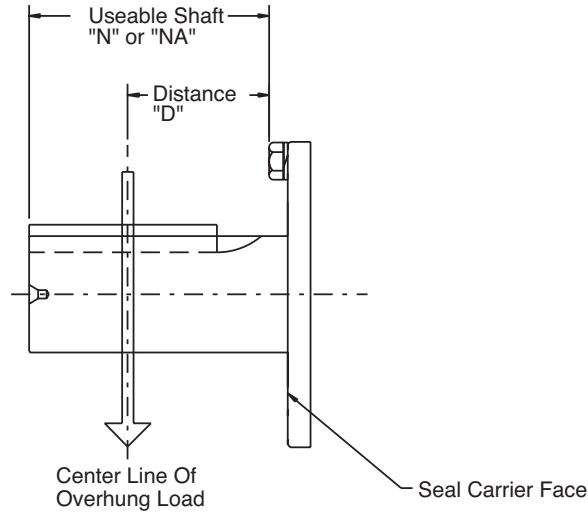


Table 21: Load Location Factors for High Speed Shafts

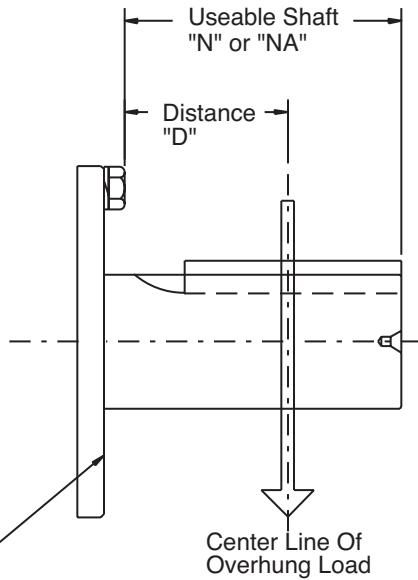
Distance In Inches	MAXUM Reducer Size									
	4		5		6		7		9	
	DCR4	TCR4	DCR5	TCR5	DCR6	TCR6	DCR7	TCR7	DCR9	TCR9
1.00	0.96	0.93	0.96	0.93	0.95	0.92	0.92	0.91	0.91	
1.25	0.99	0.95	1.00	0.95	0.98	0.94	0.95	0.93	0.93	
1.50	1.06	0.97	1.08	0.98	1.04	0.95	0.97	0.94	0.95	
1.75	1.14	1.00	1.16	1.00	1.12	0.97	0.99	0.95	0.97	
2.00	1.23	1.07	1.24	1.07	1.20	0.99	1.03	0.97	0.99	
2.25	1.31	1.13	1.31	1.13	1.28	1.01	1.09	0.98	1.03	
2.50	1.40	1.20	1.39	1.20	1.35	1.06	1.14	1.00	1.07	
2.75	1.49	1.27	1.47	1.27	1.43	1.12	1.20	1.03	1.12	
3.00	1.57	1.34	1.55	1.34	1.51	1.18	1.25	1.08	1.17	
3.50	1.74	1.48	1.71	1.48	1.66	1.29	1.36	1.17	1.26	
4.00		1.62		1.62		1.40		1.26	1.36	
4.50		1.75		1.75		1.51		1.35	1.45	
5.00						1.63		1.45		
5.50						1.74		1.54		
6.00								1.63		
6.50								1.72		

Distance In Inches	10		11		12	
	DCR10	TCR10	DCR11	TCR11	DCR12	TCR12
1.00	0.89	0.87	0.87	0.88	0.87	0.90
1.25	0.90	0.89	0.88	0.90	0.88	0.91
1.50	0.92	0.91	0.89	0.92	0.89	0.93
1.75	0.93	0.93	0.91	0.93	0.90	0.95
2.00	0.94	0.94	0.92	0.95	0.92	0.97
2.25	0.96	0.96	0.93	0.97	0.93	0.99
2.50	0.97	0.98	0.94	0.99	0.94	1.02
2.75	0.98	1.00	0.95	1.01	0.95	1.07
3.00	1.00	1.04	0.96	1.05	0.96	1.11
3.50	1.07	1.12	0.99	1.14	0.99	1.20
4.00	1.16	1.21	1.04	1.22	1.04	1.29
4.50	1.25	1.29	1.11	1.31	1.11	1.38
5.00	1.34	1.38	1.18	1.39	1.18	1.47
5.50	1.43		1.25		1.25	
6.00	1.52		1.32		1.32	
6.50	1.60		1.39		1.39	



ENGINEERING/TECHNICAL

MAXUM Concentric Reducer



$$OHL = \frac{126,000 \times hp \times Fc \times Lf}{PD \times rpm}$$

- Where: OHL = Overhung Load
 hp = Horsepower
 Fc = Load Connection Factor
 (See Table 13, page G3-59)
 Lf = Load Location Factor
 (See Table 21 for High Speed Shafts)
 (See Table 22 for Low Speed Shafts)
 PD = Pitch Diameter of the Item mounted on the Shaft
 rpm = Speed of Shaft with Overhung Load on it in
 Revolutions Per Minute
 (Interpolate for shaft speeds not listed)

Table 22: Load Location Factors For Low Speed Shafts

Distance In Inches	MAXUM Reducer Size							
	4	5	6	7	9	10	11	12
1.00	0.83	0.85	0.79	0.79	0.76	0.73	0.72	0.70
1.25	0.86	0.88	0.82	0.81	0.78	0.74	0.74	0.72
1.50	0.88	0.90	0.84	0.83	0.79	0.76	0.75	0.73
1.75	0.91	0.93	0.86	0.85	0.81	0.77	0.77	0.74
2.00	0.94	0.95	0.88	0.87	0.83	0.79	0.78	0.76
2.25	0.97	0.98	0.90	0.89	0.84	0.80	0.80	0.77
2.50	1.00	1.01	0.93	0.91	0.86	0.82	0.81	0.79
2.75	1.05	1.05	0.95	0.93	0.87	0.83	0.82	0.80
3.00	1.10	1.10	0.97	0.95	0.89	0.85	0.84	0.81
3.50	1.21	1.19	1.03	0.99	0.92	0.88	0.87	0.84
4.00	1.32	1.28	1.11	1.06	0.95	0.91	0.90	0.87
4.50	1.42	1.37	1.20	1.14	0.99	0.94	0.92	0.90
5.00	1.53	1.46	1.28	1.22	1.03	0.97	0.95	0.93
5.50	1.64	1.55	1.37	1.30	1.09	1.00	0.98	0.95
6.00	1.74	1.64	1.45	1.38	1.14	1.06	1.02	0.98
6.50		1.74	1.54	1.45	1.20	1.11	1.07	1.02
7.00		1.83	1.62	1.53	1.25	1.17	1.12	1.07
7.50			1.71	1.61	1.31	1.23	1.17	1.12
8.00				1.69	1.36	1.28	1.22	1.16
8.50					1.42	1.34	1.27	1.21
9.00					1.48	1.39	1.32	1.26
9.50					1.53	1.45	1.37	1.31
10.00					1.59	1.50	1.42	1.36
10.50					1.64	1.56	1.47	1.41
11.00					1.70	1.61	1.52	1.46
11.50							1.57	1.51
12.00								1.56



ENGINEERING/TECHNICAL

MAXUM Concentric Reducer

Table 23: High Speed Shaft Overhung Loads

High Speed Shaft RPM	AGMA Nominal Ratio	Approx. Low Speed Shaft RPM	Unit Red.	High Speed Shaft Overhung Load (pounds) for MAXUM Reducer Size.							
				4	5	6	7	9	10	11	12
1450	5.06	286.6	DOUBLE	270	1080	960	1400	30	1750	2000	600
	6.2	233.9		420	1080	1000	1400	30	1750	2000	640
	7.59	191		660	1080	1250	1400	100	1750	2000	1930
	9.3	155.9		700	1080	1250	1400	400	1750	2000	2000
	11.39	127.3		810	1080	1250	1400	550	1750	2000	2000
	13.95	103.9		770	1080	1250	1400	1750	1750	1900	2000
	17.09	84.8		800	1080	1190	1400	1750	1750	1590	2000
	20.93	69.3		850	1080	1040	1400	1750	1750	1750	2000
	25.63	56.6		0	1000	1250	670	1500	1750	2000	2000
	31.39	46.2	TRIPLE	150	0	80	280	1000	1200	1200	0
	38.44	37.7		310	190	410	670	1180	1200	1200	1200
	47.08	30.8		420	370	600	900	1180	1200	1200	1200
	57.67	25.1		500	490	760	900	1180	1200	1200	1200
	70.62	20.5		540	580	800	900	1180	1200	1200	1200
	86.5	16.8		270	160	280	600	800	900	1080	1000
	105.9	13.7		270	290	470	600	800	900	1080	1180
	129.7	11.2		270	290	470	600	800	900	1080	1180
	158.9	9.1		270	290	470	250	270	0	400	1180
	194.6	7.5		270	290	470	420	550	520	900	1180
1170	5.06	231.2	DOUBLE	90	1080	1020	1400	30	1750	2000	640
	6.2	188.7		250	1080	1070	1400	30	1750	2000	690
	7.59	154.2		530	1080	1250	1400	30	1750	2000	2000
	9.3	125.8		590	1080	1250	1400	30	1750	2000	2000
	11.39	102.7		870	1080	1250	1400	200	1750	2000	2000
	13.95	83.9		900	1080	1250	1400	1750	1750	2000	2000
	17.09	68.5		900	1080	1250	1400	1750	1750	2000	2000
	20.93	55.9		900	1080	1110	1400	1750	1750	2000	2000
	25.63	45.6		0	950	1250	650	1500	1750	2000	2000
	31.39	37.3	TRIPLE	210	0	90	300	1180	1200	1200	420
	38.44	30.4		360	260	510	820	1180	1200	1200	1200
	47.08	24.9		480	440	690	900	1180	1200	1200	1200
	57.67	20.3		540	550	800	900	1180	1200	1200	1200
	70.62	16.6		540	600	800	900	1180	1200	1200	1200
	86.5	13.5		270	260	420	600	800	900	1080	1000
	105.9	11		270	290	470	600	800	900	1080	1180
	129.7	9		270	290	470	600	800	900	1080	1180
	158.9	7.4		270	290	470	250	270	0	370	1180
	194.6	6		270	290	470	420	520	500	850	1180
870	5.06	171.9	DOUBLE	80	1080	1110	1400	50	1200	2000	700
	6.2	140.3		20	1080	1170	1400	50	1750	2000	750
	7.59	114.6		320	1080	1250	1400	50	1750	2000	2000
	9.3	93.5		410	1080	1250	1400	50	1750	2000	2000
	11.39	76.4		900	1080	1250	1400	50	1750	2000	2000
	13.95	62.4		900	1080	1250	1400	1750	1750	2000	2000
	17.09	50.9		900	1080	1250	1400	1750	1750	2000	2000
	20.93	41.6		900	1080	1250	1400	1750	1750	2000	2000
	25.63	33.9		0	900	1250	650	1400	1750	2000	2000
	31.39	27.7	TRIPLE	300	80	280	490	1180	1200	1200	1070
	38.44	22.6		450	370	640	900	1180	1200	1200	1200
	47.08	18.5		540	540	800	900	1180	1200	1200	1200
	57.67	15.1		540	600	800	900	1180	1200	1200	1200
	70.62	12.3		540	600	800	900	1180	1200	1200	1200
	86.5	10.1		270	290	470	600	800	900	1080	900
	105.9	8.2		270	290	470	600	800	900	1080	1180
	129.7	6.7		270	290	470	600	800	900	1080	1180
	158.9	5.5		270	290	470	250	250	0	350	1180
	194.6	4.5		270	290	470	420	500	470	800	1180

† Capacities listed are for pure radial loads on a reducer. If overhung load exceeds the value shown or if overhung load is applied at the same time as thrust loads, consult DODGE Application Engineering.



ENGINEERING/TECHNICAL

MAXUM Concentric Reducer

Table 23: High Speed Shaft Overhung Loads (continued)

High Speed Shaft RPM	AGMA Nominal Ratio	Approx. Low Speed Shaft RPM	Unit Red.	High Speed Shaft Overhung Load (pounds) † for MAXUM Reducer Size							
				4	5	6	7	9	10	11	12
720	5.06	142.3	DOUBLE	170	1080	1180	1400	50	500	1650	740
	6.2	116.1		20	1080	1240	1400	50	1500	2000	860
	7.59	94.9		180	1080	1250	1400	50	1750	2000	2000
	9.3	77.4		370	1080	1250	1400	50	1750	2000	2000
	11.39	63.2		900	1080	1250	1400	50	1750	2000	2000
	13.95	51.6		900	1080	1250	1400	1750	1750	2000	2000
	17.09	42.1		900	1080	1250	1400	1750	1750	2000	2000
	20.93	34.4		900	1080	1250	1400	1750	1750	2000	2000
	25.63	28.1		0	850	1250	600	1300	1750	2000	2000
	31.39	22.9	TRIPLE	360	180	390	670	1180	1200	1200	1200
	38.44	18.7		500	440	740	900	1180	1200	1200	1200
	47.08	15.3		540	600	800	900	1180	1200	1200	1200
	57.67	12.5		540	600	800	900	1180	1200	1200	1200
	70.62	10.2		540	600	800	900	1180	1200	1200	1200
	86.5	8.3		270	290	470	600	800	900	1080	800
	105.9	6.8		270	290	470	600	800	900	1080	1180
	129.7	5.6		270	290	470	600	800	900	1080	1180
	158.9	4.5		270	290	470	250	220	0	320	1180
194.6	3.7	270	290	470	420	450	450	750	1180		
580	5.06	114.6	DOUBLE	270	1080	1250	1400	50	50	1000	800
	6.2	93.5		20	1080	1250	1400	50	650	1700	1600
	7.59	76.4		100	1080	1250	1400	50	1600	2000	2000
	9.3	62.4		360	1080	1250	1400	50	1750	2000	2000
	11.39	50.9		900	1080	1250	1400	50	1750	2000	2000
	13.95	41.6		900	1080	1250	1400	1750	1750	2000	2000
	17.09	33.9		900	1080	1250	1400	1750	1750	2000	2000
	20.93	27.7		900	1080	1250	1400	1750	1750	2000	2000
	25.63	22.6		0	750	1250	600	1200	1750	2000	2000
	31.39	18.5	TRIPLE	430	300	530	880	1180	1200	1200	1200
	38.44	15.1		540	530	800	900	1180	1200	1200	1200
	47.08	12.3		540	600	800	900	1180	1200	1200	1200
	57.67	10.1		540	600	800	900	1180	1200	1200	1200
	70.62	8.2		540	600	800	900	1180	1200	1200	1200
	86.5	6.7		270	290	470	600	800	900	1080	700
	105.9	5.5		270	290	470	600	800	900	1080	1180
	129.7	4.5		270	290	470	600	800	900	1080	1180
	158.9	3.7		270	290	470	200	200	0	300	1180
194.6	3	270	290	470	400	400	400	700	1180		

† Capacities listed are for pure radial loads on a reducer. If overhung load exceeds the value shown or if overhung load is applied at the same time as thrust loads, consult DODGE Application Engineering.



ENGINEERING/TECHNICAL

MAXUM Concentric Reducer

Table 24: Low Speed Overhung Loads

Approx. Low Speed Shaft RPM	Unit Red.	Overhung Load Capacity							
		MAXUM Reducer Size (multiply value shown by 1000) ♣							
		4	5	6	7	9	10	11	12
777.8	DOUBLE	2.87	3.69	4.84	•	•	•	•	•
636.4		2.96	3.87	5.07	•	•	•	•	•
519.3		3.12	4.08	5.33	•	•	•	•	•
423.7		3.17	3.98	5.39	•	•	•	•	•
345.8		3.32	4.18	5.65	7.05	10.3	10.3	12.2	10.4
282.3		3.51	4.39	5.95	7.56	10.7	10.9	12.8	10.9
230.6		3.70	4.66	6.29	7.48	11.2	11.5	13.4	11.3
188.2		3.91	4.95	6.61	8.27	11.9	12.1	14.1	12.0
153.6		4.14	5.27	6.98	8.97	12.5	12.7	14.9	12.7
125.4		4.37	5.71	7.43	9.88	13.3	13.5	15.7	13.8
102.4		4.63	6.16	7.78	10.9	14.1	14.2	16.6	14.9
83.6		4.98	6.62	8.25	11.8	14.9	15.1	17.7	16.0
68.3		5.46	7.13	8.66	13.1	15.8	16.0	19.4	17.5
55.8		TRIPLE	5.86	8.03	9.64	14.6	16.9	17.5	21.7
45.5	6.31		8.51	10.2	15.4	18.2	18.5	22.6	21.0
37.2	6.80		8.85	10.5	16.6	19.7	19.9	24.4	22.8
30.4	6.98		8.88	10.5	17.8	20.0	21.8	26.5	24.8
24.8	6.98		8.90	10.5	17.8	20.0	23.7	28.6	27.1
20.2	6.98		8.95	10.6	17.9	20.0	24.6	29.5	29.4
16.5	6.98		8.98	10.6	17.9	20.0	24.6	29.5	29.4
13.5	6.98		9.00	10.6	17.9	20.0	24.6	29.5	29.4
11.0	6.98		9.03	10.6	18.0	20.0	24.6	29.5	29.4
9.0	6.98		9.05	10.7	18.0	20.0	24.6	29.5	29.4

- * Interpolate for intermediate values.
- ♣ Capacities are for pure radial loads. If overhung loads are applied at the same time as thrust loads, consult DODGE Application Engineering.
- Consult DODGE.

Table 25: Actual Ratios

AGMA Nominal Ratio	Approx. Low Speed Shaft RPM	Unit Red.	Actual Ratio of Reduction							
			MAXUM Reducer Size							
			4	5	6	7	9	10	11	12
2.25	777.8	DOUBLE	2.225	2.263	2.273					
2.75	636.4		2.679	2.750	2.770					
3.37	519.3		3.320	3.338	3.392					
4.13	423.7		4.125	4.114	4.133					
5.06	345.8		4.966	5.000	5.037	5.065	5.103	4.958	5.104	5.089
6.20	282.3		6.154	6.069	6.167	6.115	6.154	6.109	6.134	6.220
7.59	230.6		7.586	7.520	7.680	7.527	7.478	7.589	7.552	7.464
9.30	188.2		9.280	9.273	9.273	9.217	9.200	9.385	9.077	9.325
11.39	153.6		11.45	11.37	11.37	11.21	11.20	11.33	11.28	11.31
13.95	125.4		13.89	14.00	14.25	13.91	13.88	13.93	13.89	13.98
17.09	102.4		17.00	17.14	16.86	17.47	17.14	16.73	16.90	16.90
20.93	83.6		20.57	20.67	20.67	21.06	21.00	20.92	20.83	20.60
25.63	68.3		26.18	25.20	24.67	25.68	25.60	25.89	25.32	25.59
31.39	55.8		TRIPLE	31.50	31.38	32.00	30.50	30.68	31.61	31.29
38.44	45.5	38.21		38.64	40.11	37.83	38.03	38.86	38.51	38.60
47.08	37.2	46.75		47.31	47.45	47.53	46.96	46.68	46.85	46.63
57.67	30.4	56.57		57.04	58.17	57.29	57.52	58.36	57.77	56.85
70.62	24.8	72.00		69.55	69.43	69.86	70.12	72.21	70.21	70.63
86.50	20.2	86.86		86.81	86.21	86.27	86.94	85.07	86.60	86.36
105.9	16.5	105.4		106.9	108.1	104	106.5	106.4	106.8	106.8
129.7	13.5	128.9		130.9	127.8	126.8	129.8	131.6	129.8	129
158.9	11.0	156		157.8	156.7	158.9	157.5	159.8	159.1	157.3
194.6	9.0	198.5		192.4	187.1	193.8	192	197.7	193.4	195.4

† Based on 1750 high speed shaft RPM.



ENGINEERING/TECHNICAL

MAXUM Concentric Reducer

Table 26: WR² Values

AGMA Nominal Ratio	Approx. † Low Speed Shaft RPM	Unit Red.	WR ² (lb. - In ²) at high Speed Shaft ★ MAXUM Reducer Size								
			4	5	6	7	9	10	11	12	
2.25	777.8	DOUBLE	77.41	125.4	253.9						
2.75	636.4		59.02	94.8	189.3						
3.37	519.3		43.48	73.97	141.5						
4.13	423.7		57.81	93.81	184.3						
5.06	345.8		45.49	73.42	142.4	309.3	768.4	1469	2529	4140	
6.2	282.3		34.67	59.45	110.3	259.9	611.2	1127	2008	3201	
7.59	230.6		26.33	46.29	82.57	205.8	487.2	868.0	1559	2559	
9.3	188.2		21.03	37.06	66.14	164.5	387.7	683.6	1272	1959	
11.39	153.6		16.09	29.44	50.6	133.1	309.6	558.5	1003	1564	
13.95	125.4		13	24.09	39.11	106.4	258.8	455.0	813.6	1234	
17.09	102.4		10.45	19.65	32.35	85.34	209.7	373.0	655.3	986.5	
20.93	83.6		8.541	17.24	25.92	72.74	173.7	298.5	525.0	784.6	
25.63	68.3		6.967	15.01	21.9	61.73	148.5	244.9	428.2	622.0	
31.39	55.8		TRIPLE	8.648	11.88	19.57	48.58	106.9	185.8	337.9	493.5
38.44	45.5			8.272	11.25	18.20	45.38	99.01	172.3	311.5	449.4
47.08	37.2	7.972		10.73	17.42	42.93	93.41	163.0	293.2	419.0	
57.67	30.4	7.746		10.38	16.69	41.39	89.04	154.7	278.4	394.2	
70.62	24.8	7.549		10.11	16.18	40.11	86.03	148.5	267.6	374.5	
86.50	20.2	3.333		4.771	6.594	27.36	52.16	84.71	145.5	144.1	
105.9	16.5	3.284		4.689	6.406	26.89	50.89	82.20	141.2	138.4	
129.7	13.5	3.244		4.621	6.298	26.50	50.01	80.33	138.0	134.4	
158.9	11.0	3.214		4.576	6.197	22.60	40.82	62.58	107.0	131.2	
194.6	9.0	3.189		4.541	6.127	22.43	40.42	61.76	105.5	128.6	

★ For WR² at low speed shaft, multiply the WR² value listed by (Actual Ratio)². See Table 25 for actual ratios.

† Based on 1750 high speed shaft RPM.

FEATURES/BENEFITS PAGE G3-2	SPECIFICATION PAGE G3-4	EASY SELECTION PAGE G3-6	SELECTION/DIMENSIONS PAGE G3-24
--------------------------------	----------------------------	-----------------------------	------------------------------------



ENGINEERING/TECHNICAL

MAXUM Concentric Reducer

CAUTION: Unit is shipped without oil. Add proper amount of recommended lubricant before operating. Failure to observe these precautions could result in damage to, or destruction of, the equipment.

Lubrication is extremely important for satisfactory operation. The proper oil level as shown in Table 29 page G3-75, must be maintained at all times. Frequent inspections with the unit not running and allowing sufficient time for the oil to cool and the entrapped air to settle out of the oil should be made by removing the level plug to see that the level is being maintained. If low, add the proper type and viscosity of lubricant through one of the upper openings until it comes out of the oil level hole. Replace the oil level plug securely. Refer to Table 27 and Table 28 below for viscosity recommendations.

After an initial operation of about two weeks, the oil should be changed. If desired, this oil may be filtered and reused. Very often, small metal particles will show up in the oil due to the wearing in process. After the initial break in period, the lubricant should be drained, magnetic drain plug cleaned, gear case flushed and refilled every 2500 hours of operation under average industrial conditions. More frequent oil changes are recommended when operating continuously or at high temperatures or under conditions of extreme dirt or dust. Use

only recommended lubricants listed on this page, or equivalent. Special attention should be given to checking of lubricants when any of the following conditions exist:

- High operating temperatures resulting from heavy intermittent loads causing the temperature of the gear case to rise rapidly and then cool.
- Unusual ambient conditions, which may tend to cause condensation on the inside of the gear case thereby contaminating the oil.
- Operating temperatures that would cause oil to approach 200°F continually.
- If the reducer is subjected to unusual vapors or moist atmosphere.

Operating Temperatures

Heating is a natural characteristic of enclosed gearing, and a maximum gear case temperature approaching 200°F is not uncommon for some units operating in normal ambient temperatures (80°F). When operating at rated capacity, no damage will result from this temperature as this was taken into consideration in the design of the gear case and in the selection of the lubricants.

Table 27: Lubrication Recommendations - ISO Grades for Ambient Temperatures of 50 thru 125 Degrees F *

Output RPM	MAXUM Reducer Size							
	4	5	6	7	9	10	11	12
230	220	220	220	220	220	220	220	220
190	220	220	220	220	220	220	220	220
155	220	220	220	220	220	220	220	220
125	320	320	220	220	220	220	220	220
100	320	320	320	220	220	220	220	220
84	320	320	320	220	220	220	220	220
68	320	320	320	320	220	220	220	220
56	320	320	320	320	320	320	320	220
45	320	320	320	320	320	320	320	320

*** NOTES**

1. Use ISO 220 above 230 Output RPM.
2. Use ISO 320 below 45 Output RPM.
3. Assumes Auxiliary Cooling where Recommended in the Catalog.

Lubricant Grade Equivalents

ISO	AGMA
150	4
220	5
320	6

NOTE: Mobile SHC 630 Series oil is recommended for high ambient temperatures. For a wide range of ambient temperatures (-10°F/120°F) use Mobile SHC 629,

Table 28: Lubrication Recommendations ISO Grades For Ambient Temperatures Of 15 Thru 60 Degrees F*

Output RPM	MAXUM Reducer Size							
	4	5	6	7	9	10	11	12
230	150	150	150	150	150	150	150	150
190	150	150	150	150	150	150	150	150
155	150	150	150	150	150	150	150	150
125	220	220	150	150	150	150	150	150
100	220	220	220	150	150	150	150	150
84	220	220	220	150	150	150	150	150
68	220	220	220	220	150	150	150	150
56	220	220	220	220	220	220	220	150
45	220	220	220	220	220	220	220	220

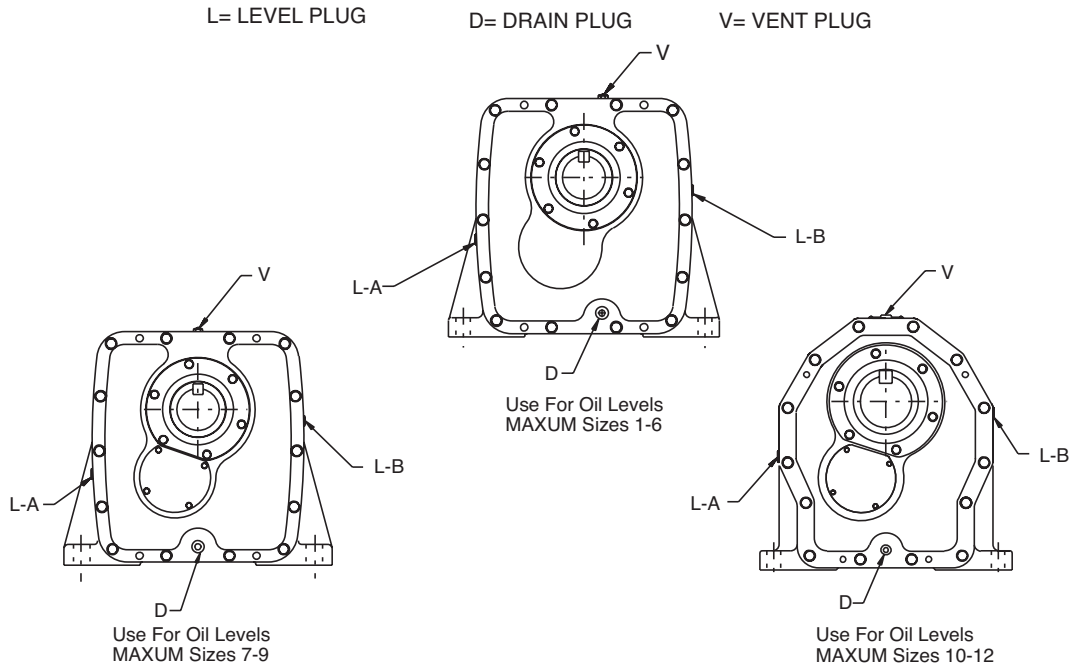
*** NOTES:**

1. Use ISO 150 above 230 Output RPM.
2. Use ISO 220 below 45 Output RPM.
3. Assumes Auxiliary Cooling where Recommended in the Catalog.



ENGINEERING/TECHNICAL

MAXUM Concentric Reducer OIL LEVEL LOCATIONS FOR POSITION A-1



**Table 29: Approximate Oil Capacities And Oil Levels*
VS Output RPM'S For Floor Mounted Position**

MAXUM Size	Output RPM	Approximate Oil Capacity	Level Position	MAXUM Size	Output RPM	Approximate Oil Capacity	Level Position
4	ABOVE 270 BELOW 270	9.0 QUARTS 16.6 QUARTS	L-A, L-B	9	ABOVE 140 BELOW 140	12.6 GALLONS 27.2 GALLONS	L-A, L-B
5	ABOVE 250 BELOW 250	10.9 QUARTS 21.2 QUARTS	L-A, L-B	10	ABOVE 120 BELOW 120	12.9 GALLONS 29.8 GALLONS	L-A, L-B
6	ABOVE 215 BELOW 215	15.7 QUARTS 30.7 QUARTS	L-A, L-B	11	ABOVE 110 BELOW 110	16.3 GALLONS 36.9 GALLONS	L-A, L-B
7	ABOVE 175 BELOW 175	8.3 GALLONS 17.6 GALLONS	L-A, L-B	12	ABOVE 95 BELOW 95	20.0 GALLONS 42.5 GALLONS	L-A, L-B

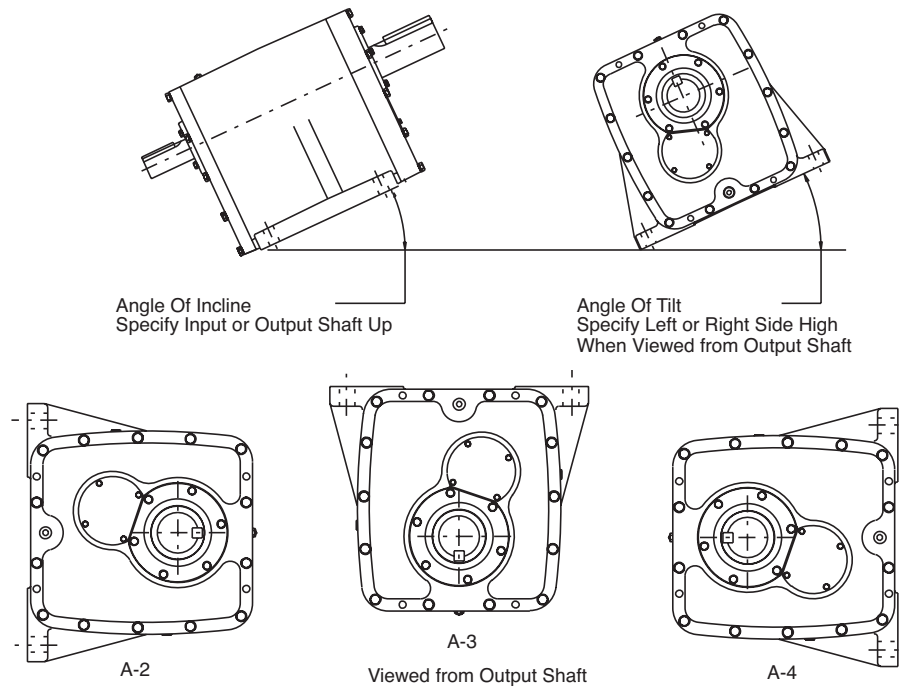
* Always fill to the oil plug regardless of the stated quantities. Refer to instruction manual for more information.

The lubrication instructions on pages G3-79 and G3-80 are offered for general guidelines. Refer to the instruction manual shipped with the reducer for specific lubrication instructions



ENGINEERING/TECHNICAL

MAXUM Concentric Reducer



DODGE MAXUM Concentric Shaft Reducers can be modified to permit mounting in positions other than the conventional (A-1) floor mounting. Some of these include ceiling (A-3) and wall (A-2 and A-4) and various inclined, vertical and tilted positions. Consult DODGE to determine what modifications are required for your specific application.

In order for DODGE to make recommendations on the required modifications, the following information must be provided:

- Reducer Size.
- Ratio.
- Input and/or output speed.
- Transmitted Horsepower.
- Duty cycle. Continuous or intermittent operation. If intermittent, running time vs. idle time.
- Mounting position, such as A-2, A-3 or A-4 with shafts level, or a more complete description of the mounting arrangement including the angle of tilt of the housing, the incline of the shafts and whether the output shaft is higher or lower than the input shaft.

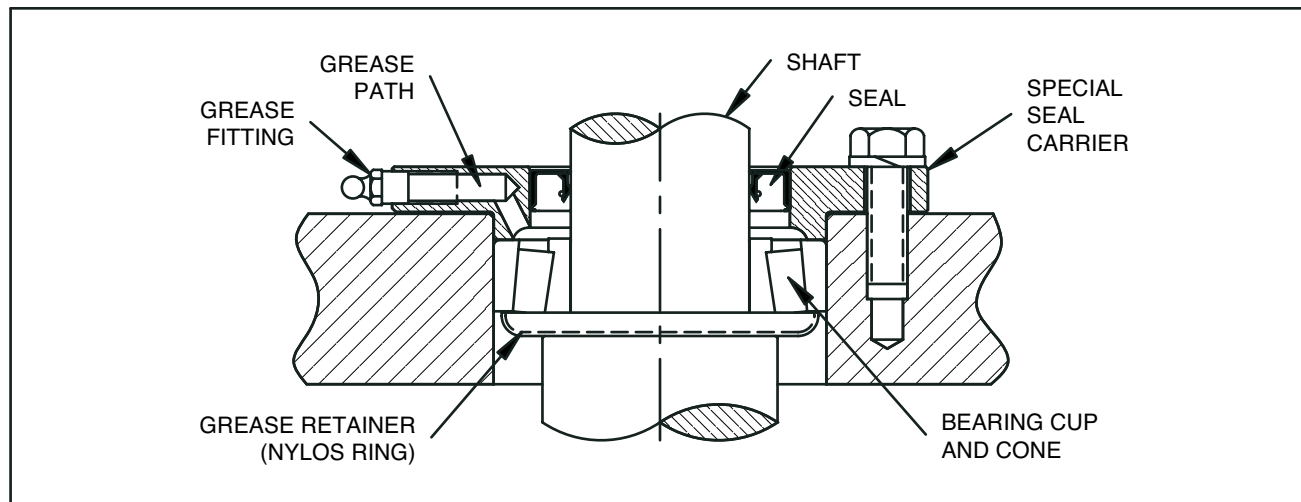


ENGINEERING/TECHNICAL

MAXUM Concentric Reducer Vertical and Inclined Application

When the reducer is mounted vertically, the upper bearings will not receive adequate lubrication from normal means of splash lubrication. The MAXUM reducer design uses a center web in the housing to support the inside bearings. This center web becomes a splash baffle when the reducer is mounted in a vertical position so other alternatives for lubrication need to be considered.

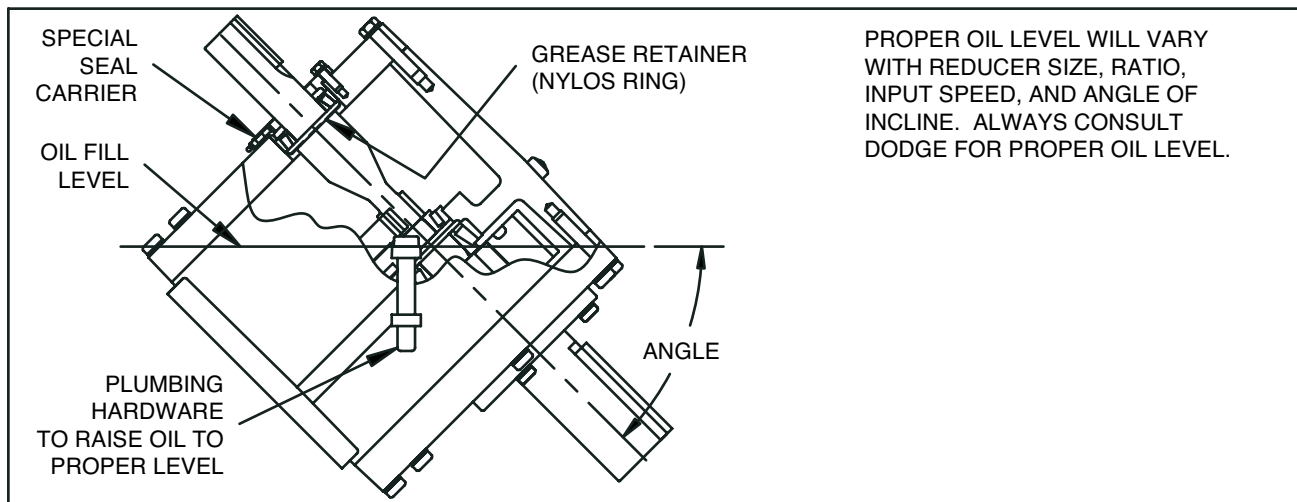
The MAXUM solution to this problem is to use a Nylos Ring - a thin dish or cup mounted between the shaft shoulders and the Timken cone (see Drawing A). The purpose of this cup is to hold a reservoir of grease to lubricate the upper bearings. If the low speed shaft is up, we provide this modification for both the low speed pinion bearing and the countershaft bearing.



DRAWING A

In addition to the Nylos Ring, we provide a means to initially charge and replace the grease reservoir. The seal carrier of the housing is drilled, and a grease fitting is provided to maintain a level of lubricant in this cavity. Lubrication of the upper

gearset also needs to be considered, and this is provided for by increasing the lubricant level to make contact with the upper gearset. We provide this information for each application, by a drawing similar to Drawing B below.



DRAWING B

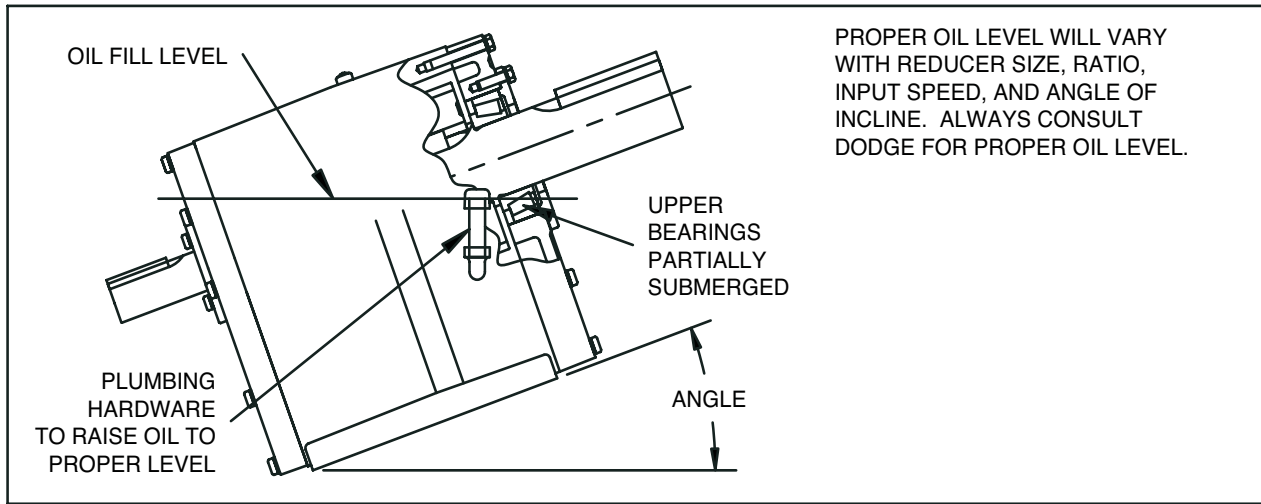
PROPER OIL LEVEL WILL VARY WITH REDUCER SIZE, RATIO, INPUT SPEED, AND ANGLE OF INCLINE. ALWAYS CONSULT DODGE FOR PROPER OIL LEVEL.

FEATURES/BENEFITS PAGE G3-2	SPECIFICATION PAGE G3-4	EASY SELECTION PAGE G3-6	SELECTION/DIMENSIONS PAGE G3-24
--------------------------------	----------------------------	-----------------------------	------------------------------------



ENGINEERING/TECHNICAL

MAXUM Concentric Reducer Vertical and Inclined Application

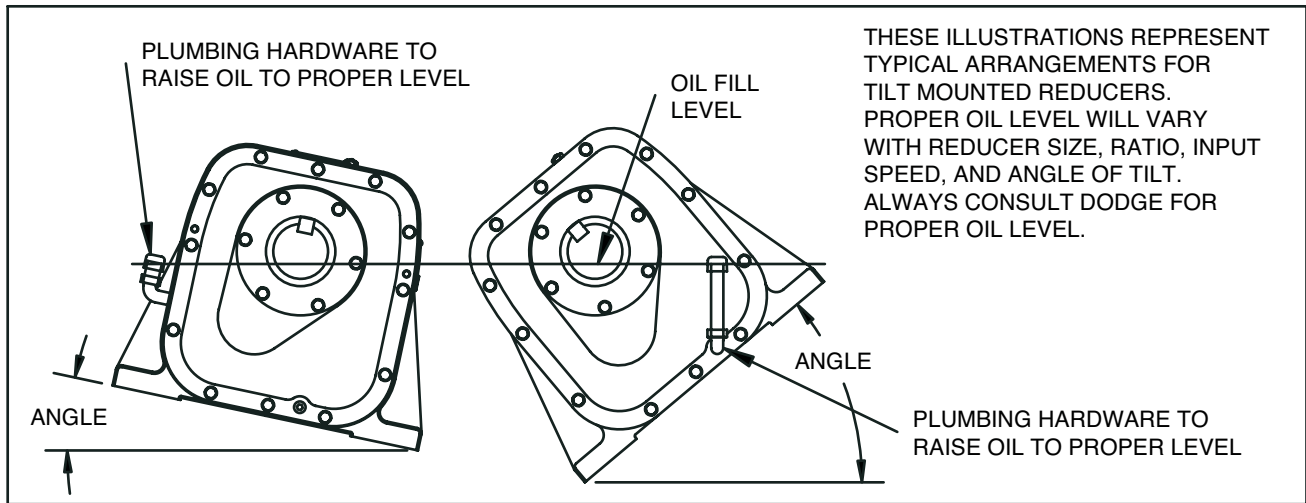


PROPER OIL LEVEL WILL VARY WITH REDUCER SIZE, RATIO, INPUT SPEED, AND ANGLE OF INCLINE. ALWAYS CONSULT DODGE FOR PROPER OIL LEVEL.

DRAWING C

We are frequently asked at what angle of incline should the vertical modification be considered. On the list price modification page, we state “exceeding 10° of incline”. This is conservative and would provide the lubrication required at very slow output speeds where there would be minimum splash generated. If the MAXUM reducer is operating at moderate to high speed, this minimum guideline may be increased. See Drawing C.

Another area where special lubrication needs to be considered is “tilt mounting”. The input and output shafts are horizontal but the reducer may be mounted in an A-2, A-3 or A-4 position or at some angle in between. The solution for this type of mounting is one of using the proper oil level only (no modification needed). Drawing D illustrates the use of a standpipe to meet oil level requirements.



THESE ILLUSTRATIONS REPRESENT TYPICAL ARRANGEMENTS FOR TILT MOUNTED REDUCERS. PROPER OIL LEVEL WILL VARY WITH REDUCER SIZE, RATIO, INPUT SPEED, AND ANGLE OF TILT. ALWAYS CONSULT DODGE FOR PROPER OIL LEVEL.

DRAWING D

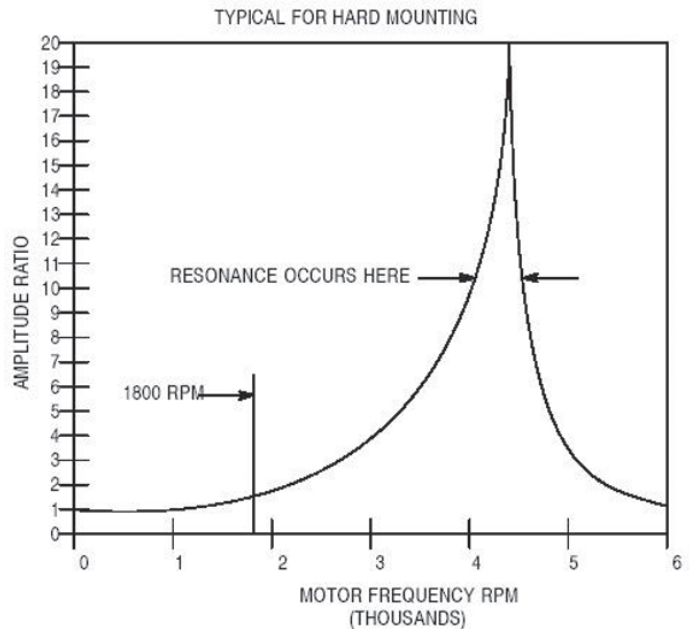
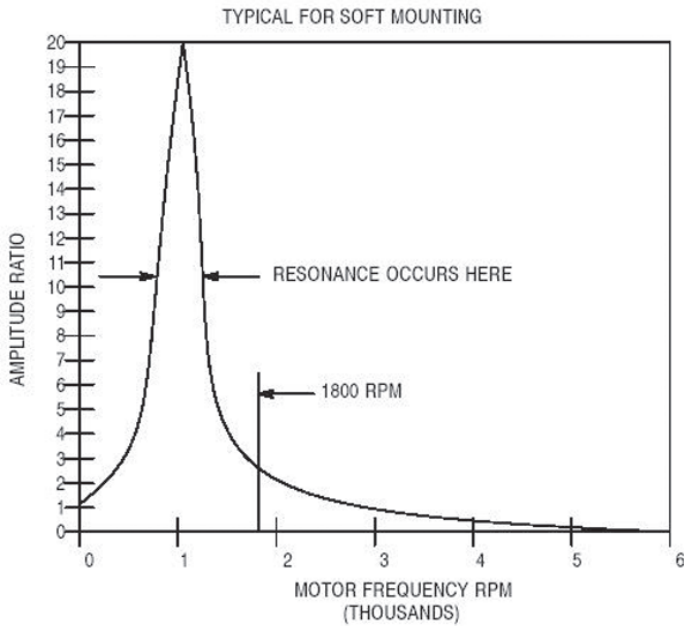
FEATURES/BENEFITS PAGE G3-2	SPECIFICATION PAGE G3-4	EASY SELECTION PAGE G3-6	SELECTION/DIMENSIONS PAGE G3-24
--------------------------------	----------------------------	-----------------------------	------------------------------------



MAXUM Concentric Reducer

GENERAL GUIDELINES FOR MOUNTING VARIABLE SPEED AC OR DC MOTORS

AMPLITUDE RATIO



DEFINITIONS:

FUNDAMENTAL NATURAL FREQUENCY is the lowest number of times per minute that the motor and supporting structure will maintain a periodic oscillation, once displaced, under the sole influence of its own mass and stiffness.

RESONANCE is a vibration of large amplitude caused by the small periodic stimulus of the unbalance force when the motor speed is the same or nearly the same frequency as

the fundamental natural frequency of the motor and support structure.

SOFT MOUNTING - The fundamental natural frequency is below the motor operating speed.

HARD MOUNTING - The fundamental natural frequency is above the motor operating speed.

(Continued on page G3-80)

FEATURES/BENEFITS PAGE G3-2	SPECIFICATION PAGE G3-4	EASY SELECTION PAGE G3-6	SELECTION/DIMENSIONS PAGE G3-24
--------------------------------	----------------------------	-----------------------------	------------------------------------



ENGINEERING/TECHNICAL

MAXUM Concentric Reducer GENERAL GUIDELINES FOR MOUNTING VARIABLE SPEED AC OR DC MOTORS

SCOOP MOUNT ACCESSORY

- This is a soft mounting of the motor.
- The benefits obtained by using this accessory are low cost and isolation of the reducer support structure from the motor vibration.
- This motor mount was designed for use with a constant speed motor at 1750 RPM. Use of motors with lower base speeds increases the chance of producing resonance. Stiffening techniques within the scoop structure can increase the fundamental natural frequency about 20% which is generally enough to eliminate resonance should it occur.
- This accessory is NOT recommended for variable speed DC or AC applications.
- Customers who prefer to use the scoop mount accessory to mount variable speed AC or DC motors must state on the face of the purchase order that they plan to support scoop and assume full responsibility for any vibratory or transient load induced by the motor. For recommended scoop support, contact Reliance Electric and reference drawing #A31512.

NOTE: For more information on DODGE MAXUM Concentric Reducer Scoop Mount Reducers, refer to page G3-39.

TOP MOUNT ACCESSORY

- This may be a soft or hard mounting of the motor depending on the size of the motor and the distance that the adjusting screws are extended.
- The benefits obtained by using this accessory are low cost, minimum floor space used for the motor/reducer assembly, and greater flexibility to obtain the required output RPM of the reducer than concentric coupling.

- This motor mount was designed for use with a constant speed motor at 1750 RPM.
- This accessory is NOT recommended for variable speed DC or AC applications. Consult Reliance.

NOTE: For more information on DODGE MAXUM Concentric Reducer Motor Mounts, refer to pages G3-49 through G3-50.

HD BASEPLATE ACCESSORY

1. This is a hard mounting of the motor.
2. The benefits obtained by using this accessory are:
 - a. resonance problems are minimized
 - b. accurate assembly of motor/coupling/reducer can be done at the factory instead of the job site.

Note: Alignment must always be rechecked at job site prior to start-up.

 - c. large motors can be rigidly mounted to keep deflection under control and provide longer service life.
3. This accessory is recommended for large motors where the motor weight exceeds the reducer weight or 700 lbs., and for variable speed DC or AC applications regardless of the motor weight. For mounting dimensions see page G3-37.

NOTE: For more information on DODGE MAXUM Concentric Reducer HD Baseplates, refer to pages G3-36.

FEATURES/BENEFITS PAGE G3-2	SPECIFICATION PAGE G3-4	EASY SELECTION PAGE G3-6	SELECTION/DIMENSIONS PAGE G3-24
--------------------------------	----------------------------	-----------------------------	------------------------------------

CONTENTS

TIGEAR-2

Features / Benefits	G4-2
Washdown	G4-5
Helical Attachment	G4-7
Specifications	G4-8
How to Order/Nomenclature	G4-9
Selection Procedures	G4-10
Selection Tables by Horsepower and Service Factor	G4-12
Ratings / Dimensions - Standard Units	
Size 13	G4-16
Size 15	G4-22
Size 17	G4-28
Size 20	G4-36
Size 23	G4-44
Size 26	G4-50
Size 30	G4-56
Size 35	G4-62
Size 40	G4-68
Size 47	G4-74
Washdown Products	
E-Z KLEEN	G4-80
ULTRA KLEEN	G4-96
ULTRA KLEEN Dimensions / Washdown Products	G4-104
Helical Attachment	G4-108
Accessories	G4-111
Mod Express	G4-127
Engineering / Technical	
Shipping Weights	G4-128
Nameplate Layout	G4-128
Manufactured Date Code Chart	G4-129
Mounting Positions	G4-130
Renewal Parts	G4-132
Part Number Index	INDEX-1
Keyword Index	INDEX-35

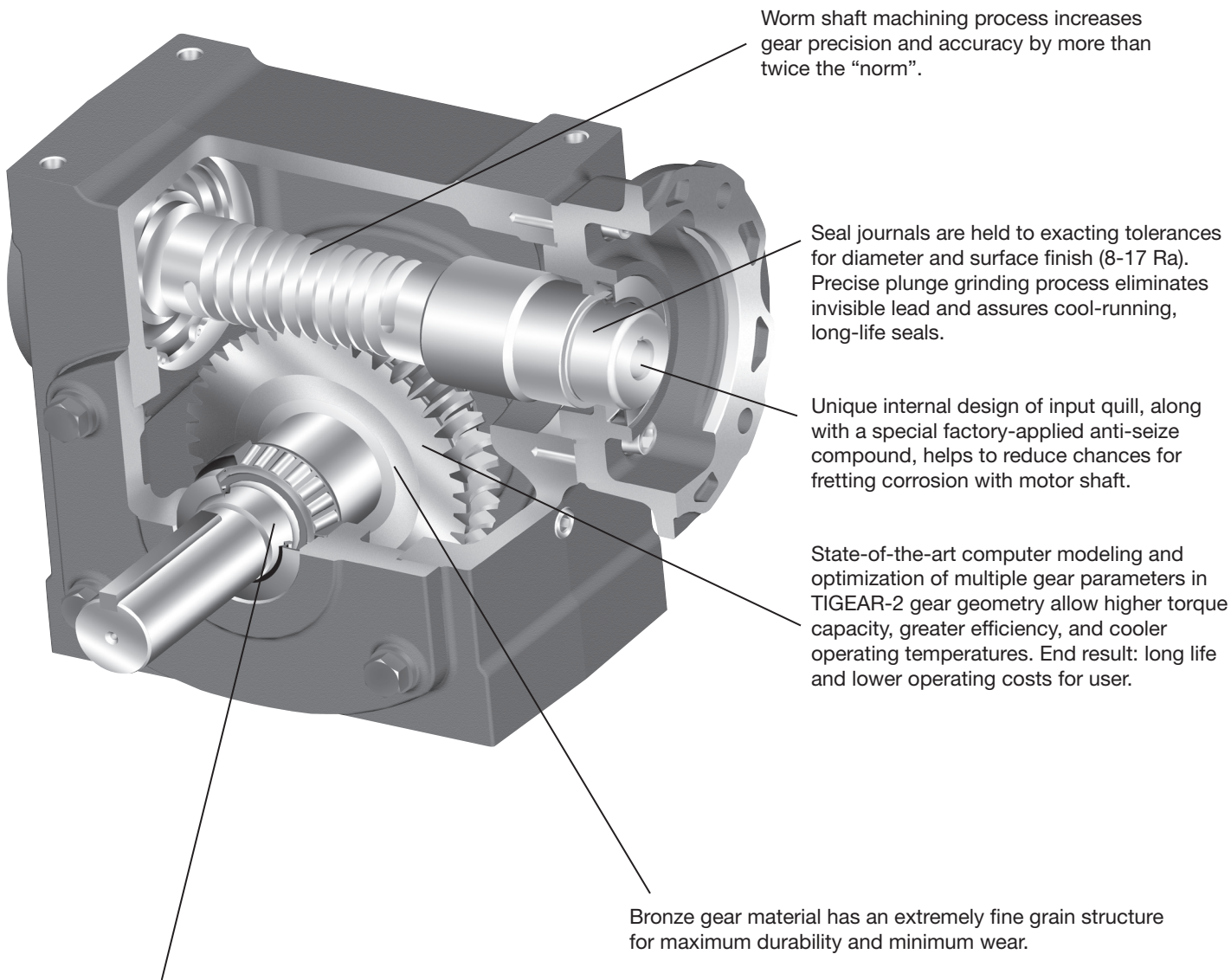
FEATURES/BENEFITS

TIGEAR-2 Speed Reducers

- 10 Case Sizes
- 1.33" to 4.75" Center Distances
- 5:1 to 60:1 Reductions
- Quill Input
- Separate Input
- 3-Piece Coupled Input
- Solid Output
- Hollow Output

On average, TIGEAR-2 delivers more torque than competitive, same-sized models. This permits downsizing and helps reduce total cost of ownership.

TIGEAR-2 reducers share the same footprint and most critical mounting dimensions with original TIGEAR and many competitive models.



Worm shaft machining process increases gear precision and accuracy by more than twice the "norm".

Seal journals are held to exacting tolerances for diameter and surface finish (8-17 Ra). Precise plunge grinding process eliminates invisible lead and assures cool-running, long-life seals.

Unique internal design of input quill, along with a special factory-applied anti-seize compound, helps to reduce chances for fretting corrosion with motor shaft.

State-of-the-art computer modeling and optimization of multiple gear parameters in TIGEAR-2 gear geometry allow higher torque capacity, greater efficiency, and cooler operating temperatures. End result: long life and lower operating costs for user.

Bronze gear material has an extremely fine grain structure for maximum durability and minimum wear.

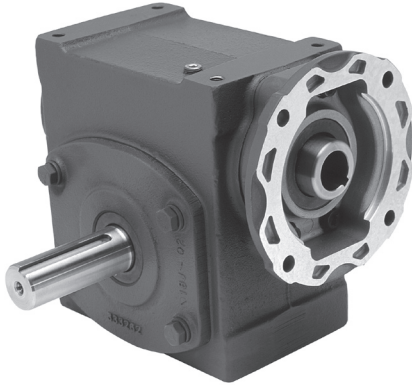
Generous step between diameter of output bearing journal and diameter of seal journal prevents bearing from scuffing seal journal during assembly.

FEATURES/BENEFITS

TIGEAR-2 Reducers

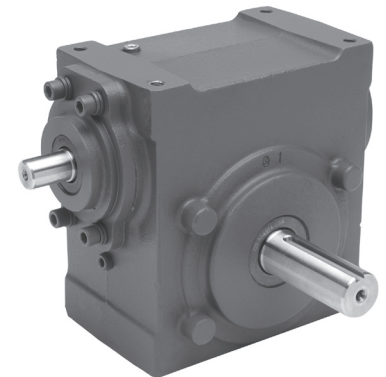
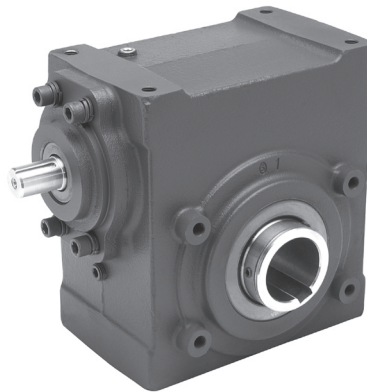
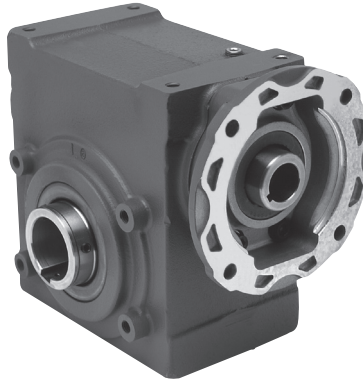
CONFIGURATION OPTIONS

The advanced design concept of the TIGEAR-2 reducer product line provides extreme flexibility for applications that require from 100 to more than 6,800 lb.-in of torque. Whether the application requires the compactness of a quill-style input, the durability of a 3-piece coupled input, or a separate keyed input shaft for belt-driven equipment, TIGEAR-2 is the answer. With four basic reducer configurations that are dimensionally interchangeable with most competitive brands and stock, and bolt-on accessories, the TIGEAR-2 reducer line is truly a complete line that is full of value.



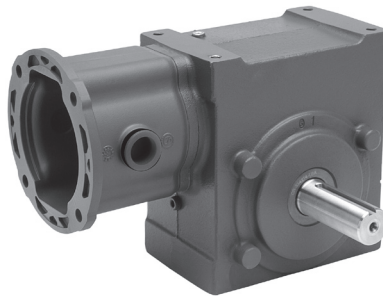
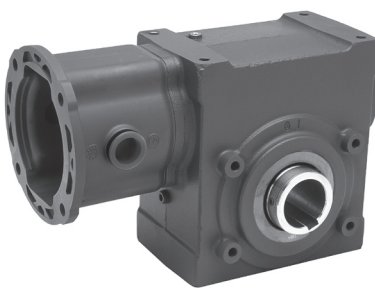
Quill Input

Space-saving quill-style input reducers for NEMA C-face motors in both solid and hollow output designs



Separate Input

Separate style input reducers with solid or hollow output shafts are suitable for either belted or direct-coupled motor connections



3-Piece Coupled Input

Attaching a stock, 3-piece coupled motor adapter kit to a separate style reducer creates a durable drive package that facilitates easy motor removal and provides protection against shock loads and other unpredictable vibrations

FEATURES/BENEFITS

TIGEAR-2 Reducers

TIGEAR-2 Sealing System

The totally enclosed, ventless sealing system operates effectively with no pressure vent, no compression chamber. TIGEAR-2 contains a factory-filled synthetic lubricant that actually runs cooler, as well as eliminates the need for routine oil changes. All reducers are filled with the proper amount of lubricant for any approved mounting position. Simply install it, then forget it.

Custom-Formulated HNBR Wave Seal

Hydrogenated Nitrile Butadiene Rubber (HNBR) material has been proven to be a better all-round choice for oil compatibility, wear, and temperature range. Overall, it provides up to 6 times greater wear resistance than industry standard nitrile seals.

Special Hydrodynamic Wave Seal Design

The special wave shape (molded into the seal lip) generates a better hydrodynamic film, which is required between the seal and the shaft for long life. This special wave design generates less drag, less heat, and virtually eliminates shaft grooving created by the single-point wear track, which is common with conventional trimmed lip seal designs. The sinusoidal lip of the

wave seal effectively pushes external contaminants away and pumps lubricant back into the oil sump.

Special Lip Construction

Optimized lip-to-shaft contact pressures ensure maximum life. In addition, special sealing elements operate under pressure without detrimental effect on service life or sealing performance.

Factory-Filled Synthetic Lubricant

The standard synthetic lubricant used in TIGEAR-2 meets H1 food grade requirements and accommodates a wide range of operating temperatures. In extensive laboratory test, it lowered operating temperatures by 20°F over other popular synthetics. No routine scheduled oil changes are required.

GRIP TIGHT™ TAPERED Adapter Bushing System Eliminates Hop and Wobble



Locking System

The TIGEAR-2 reducer's GRIP TIGHT tapered bushing system uses concepts that have proven to be effective in the locking mechanism of the DODGE GRIP TIGHT bearing to simplify installation and removal and prevent fretting corrosion problems. There are no loose fasteners to misplace during installation, and the locking nut creates a positive means for easy removal.

Minimum Shaft Length

The system's tapered bushings allow for mounting in some of the tightest places on almost any size shaft. (Driven shafts need not protrude completely through the reducer bore.)

Bushing Options

When used in pairs, the tapered bushings can be used without output keys. Corrosion resistant options are available for severe washdown applications.

FEATURES/BENEFITS

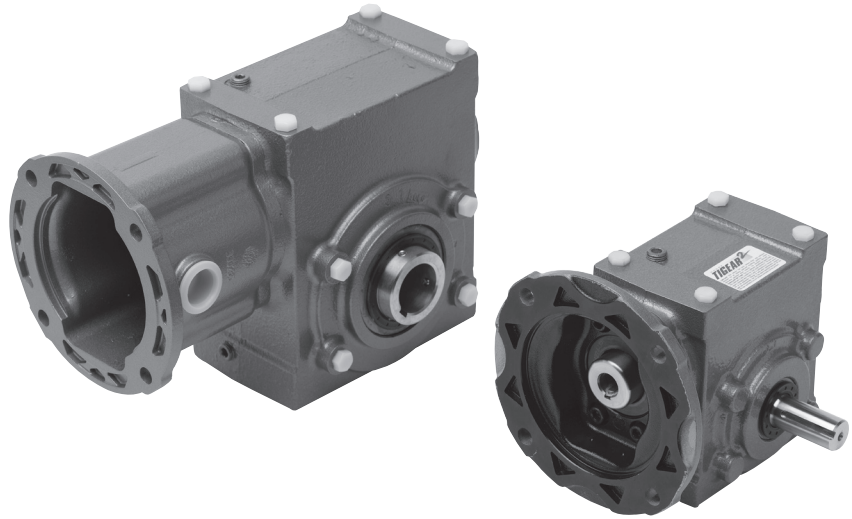
TIGEAR-2 Washdown Reducers

TIGEAR-2 E-Z KLEEN REDUCERS

TIGEAR-2 E-Z KLEEN reducers offer superior corrosion resistance and sealing to meet the harsh washdown applications associated with the food and beverage industry.

Standard features include:

- A 13-step coating system which provides greater than three times the corrosion resistance of standard epoxy painted units
- Stainless color top coat -- White finish also available
- Available in solid and hollow output shafts
- 300 series Stainless Steel solid and hollow output shafts and stainless hardware
- Two-piece harsh duty output seals
- Factory filled H1 food grade synthetic lubrication
- Offered in sizes 13 through 35 in Quill and 3-Piece Coupled input with solid or hollow output configurations



Availability:

- Wide selection of units available from stock
- Same day air shipment offered on most sizes if order received by Noon EST, or next business day air if order received after Noon EST

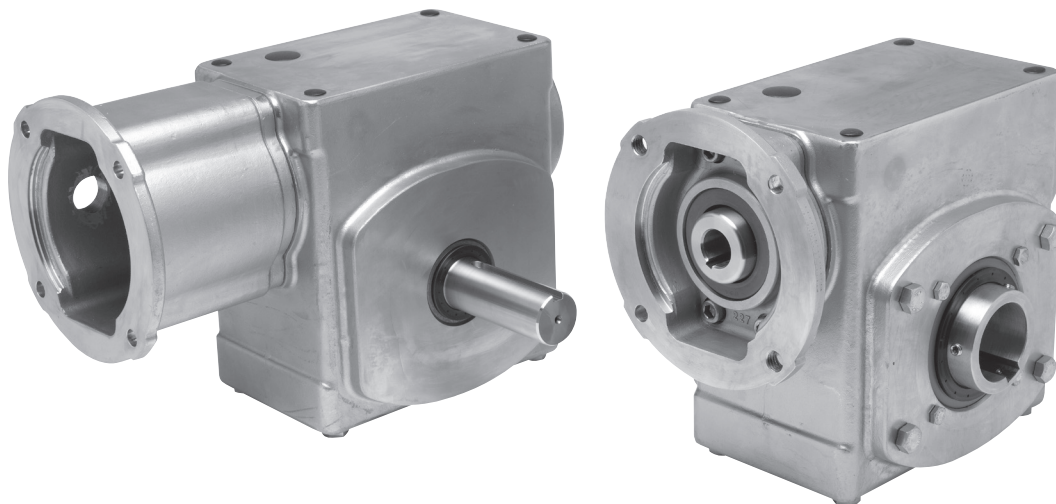
Washdown accessories include:

- Stainless steel Straight Bore bushings
- Stainless steel GRIP TIGHT bushings (as available)
- E-Z KLEEN bolt-on base kit
- E-Z KLEEN riser block kit
- E-Z KLEEN J-mount kit
- E-Z KLEEN output flange kit



FEATURES/BENEFITS

TIGEAR-2 Washdown Reducers



TIGEAR-2 and DODGE ULTRA KLEEN STAINLESS STEEL REDUCERS

ULTRA KLEEN stainless steel reducers are the best choice for ultimate washdown protection or where “paint free” specification is required.

Standard features include:

- Premium 316 stainless steel housings
- Available in solid and hollow output shafts
- 300 series Stainless Steel solid and hollow output shafts and stainless hardware
- Two-piece harsh duty output seals
- Factory filled H1 food grade synthetic lubrication
- Heavy-duty mylar nameplate standard on all units
- Gasket used on input between the motor flange and motor on sizes 17, 23, 30
- O-ring used on input between the motor flange and motor on sizes 21 and 26
- Quill input and solid or hollow output configurations in sizes 17, 21, 23, 26 and 30
- 3-Piece Coupled input available in sizes 17, 23, and 30

Availability:

- Wide selection of units available from stock
- Same day air shipment offered on most sizes if order received by Noon EST, or next business day air if order received after Noon EST

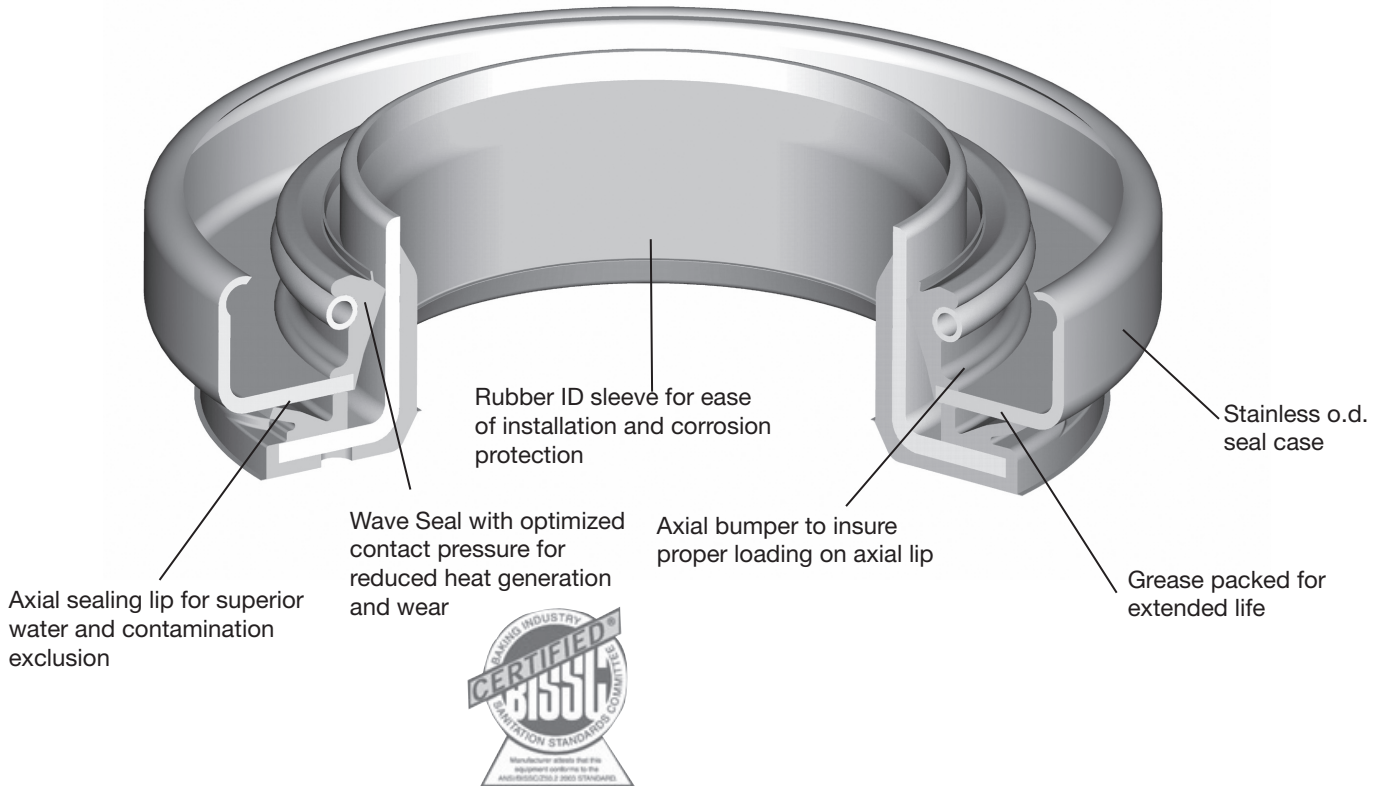
Washdown accessories include:

- Stainless steel straight bore bushings
- Stainless steel GRIP TIGHT bushings (as available)
- Stainless steel bolt-on base kit
- Stainless steel output flange kit

FEATURES/BENEFITS

TIGEAR-2 Washdown Reducers

SEALING SYSTEM FOR WASHDOWN REDUCERS



TIGEAR-2 Reducers HELICAL ATTACHMENT

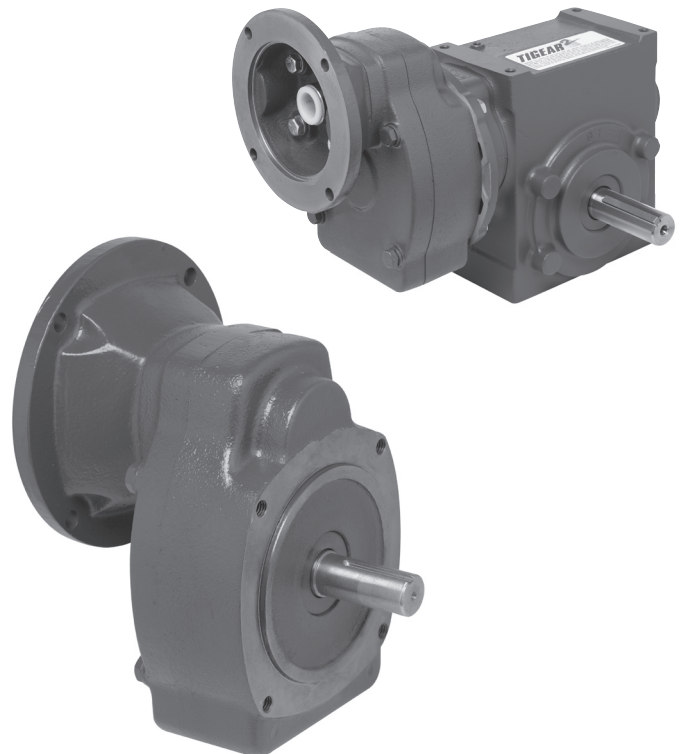
A new, double NEMA 56 and 140 C-face helical gear attachment is now available for Tigear-2 reducers, providing gear ratios from 75:1 to 300:1.

The new helical attachment has a quill input coupling for quick and easy motor attachment. It easily attaches to a Tigear-2 reducer with 56C or 140TC quill or 3-piece coupled input.

- Available with NEMA 56 and 140 C-face input and output
- Available in 4:1 and 5:1 ratios
- Factory filled with food grade synthetic lubricant
- Lubed for life
- No breather
- Suitable for all mounting positions right out of the box
- Cast iron construction

With the helical attachment, customers can now take advantage of all the Tigear-2 features with available ratios up to 300:1.

**For Selection And Dimensions Refer To
Pages G3-110 Thru G3-112**





SPECIFICATION

General Specification - DODGE TIGEAR-2 Speed Reducers

The speed reducer shall be a single reduction worm gear reducer incorporating three input configurations - a quill style for direct attachment of electric motors, a separate keyed input shaft suitable for flexible coupling to a footed motor or belt and pulley input configuration and a motor adapter style input that employs a three piece coupling to connect electric motors to the reducer. These input configurations shall be available in both solid and hollow output shaft designs. The reducer shall be manufactured in the United States of America.

GEARING

Worm gear geometry shall be highly optimized for rating and efficiency and precision manufactured with a single enveloping design.

The gear set shall consist of a hardened steel worm shaft. The worm gear shall be a fine grain, copper-tin bronze -specially alloyed for superior durability and wear resistance. All units shall have the worm gear set properly centered during assembly to produce an optimum contact pattern.

Gear design and power transmission ratings conform to globally accepted rating standards.

CASTINGS

The gear case and bearing housing shall be manufactured from Class 30 gray iron. The optional bolt-on base, motor flange and other accessories shall be available in either cast iron, aluminum or steel.

A riser block kit, designed for mounting to the top surface, shall be available to provide a method for avoiding a mounting arrangement that would position the input shaft below the level of the output shaft.

The reducer shall be sealed with no direct passage from the oil sump to the ambient atmosphere - (a closed system). This ventless design ensures no contamination of lubricant from external environment.

LUBRICATION

The standard lubrication shall be a synthetic type that is suitable for USDA Class H1 environments. The manufacturer must state in writing that the lubrication shall require no periodic changing. Alternate synthetic lubricants made from the same base material as the standard shall be available to accommodate extreme temperature applications.

All reducers shall be factory filled by the manufacturer with the proper volume of synthetic lubricant so that the reducer can be applied in any approved mounting position without any modifications to the reducer.

BEARINGS

Output shafts shall incorporate tapered roller bearings shimmed for proper running clearances and be designed for maximizing over hung load rating.

SEALING

Oil seals shall be made of premium materials and shall operate on plunge ground seal journals having an 8-17 Ra, 65-115 Rz micro finish. Seals made using Nitrile or Fluoroelastomer materials are not acceptable.

Oil seals shall have a minimum temperature range of -40° to 300° F. (-40° to 149° C).

All sealing-joints, except fill plug, shall be o-rings. Reducers shall incorporate no silicone rubber sealant of any kind.

HARDWARE

All fasteners shall be minimum Grade 5 and have locking provisions. Motor mounting bolts and input/output keys shall be provided.

EXTERNAL CONDITIONS

When properly service factored to account for the thermal limitations of the reducer, the standard construction shall be suitable for use in ambient temperatures from -10° F to +165° F.

The thermal ratings listed on ratings pages are based on the gear unit continuously operating in an ambient temperature of 75° F. For the ambient condition above 75° F, the derating factor needs to be applied to the thermal rating, or contact DODGE Application Engineering.

When used without the optional aluminum bolt-on foot the reducer shall be BISSC certified.

Washdown operating environments shall be addressed with a special coated gear case incorporating stainless steel hardware and stainless steel output shaft

Severe washdown operating environments shall be addressed with a stainless steel gear case incorporating stainless steel hardware and stainless steel output shaft.

Gearing Reference Guide

TORQUE-ARM II

TORQUE-ARM

MAXUM

TIGEAR-2

FEATURES/BENEFITS PAGE G4-2	NOMENCLATURE PAGE G4-9	SELECTION PAGE G4-12	RATINGS/DIMENSIONS PAGE G4-16
--------------------------------	---------------------------	-------------------------	----------------------------------

HOW TO ORDER / NOMENCLATURE

HOW TO ORDER TIGEAR-2 Reducers

All TIGEAR-2 reducers and accessories have a part number. Reducer part numbers are found in the ratings/dimensions tables and accessories are listed in the modification/accessories section. When placing an order specify the reducer part number and part number(s) of selected accessories.

Part Number Example:

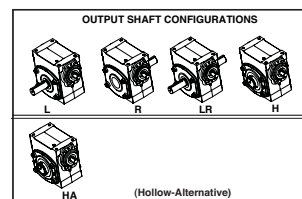
30Q15L14 Size-30, Quill input, 15:1 ratio, left hand output, 140TC input

30BASE Size-30 Bolt-on base kit

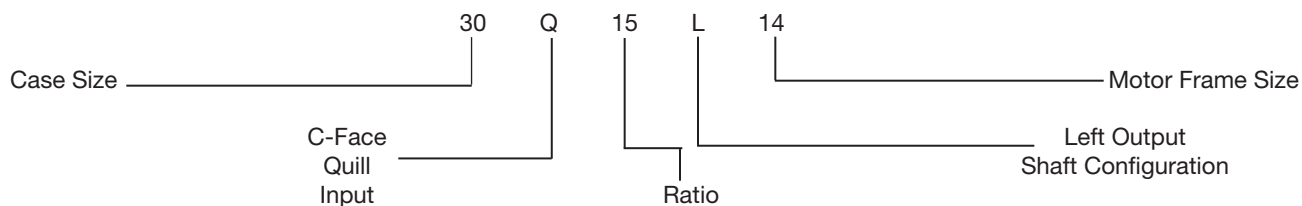
REDUCER NOMENCLATURE AND PART NUMBER

Size	Input Style	Washdown Option	Ratio	Output	Motor Frame
13 = 1.33 c.d. 15 = 1.50 c.d. 17 = 1.75 c.d. 20 = 2.00 c.d. 21* = 2.06 c.d. 23 = 2.31 c.d. 26 = 2.62 c.d. 30 = 3.00 c.d. 35 = 3.50 c.d. 40 = 4.00 c.d. 47 = 4.75 c.d.	Q Quill S Separate A 3-Piece Coupled	Z E-Z KLEEN S ULTRA KLEEN	05 07 10 12 15 18 20 25 30 40 50 60	L R LR H HA ⋮	56 = 56C 14 = 140TC 18 = 180TC 21 = 210TC 25 = 250TC

* ULTRA KLEEN only



EXAMPLE



SELECTION PROCEDURES

TIGEAR-2 Reducers

Selection Using Rating Tables

Because the efficiency of worm gear speed reducers varies from approximately 60 to 95%, it is important to consider the horsepower/torque conditions at both input and output in a given application. In a situation where motor horsepower is known (e.g., competitive interchange or when a particular motor is available), selection can be done based on input ratings. Where a gearbox is being selected by a designer who knows driven equipment loads, the reducer is selected from the output torque capacity.

NOTE: Although many customers successfully use quill style reducers for the application listed below, we strongly recommend using 3-piece coupled reducers. This will minimize any unusual noise conditions or aggravated wear in the input quill, which makes motor removal difficult.

- Use of single phase motors
- Frequent starts and stops, more than 10 per hour
- Brakemotor applications
- Variable speed motors
- Clutch/Brake units always require 3-piece coupled reducers

Prime Mover	Duration of Service Per Day	Driven Machine Load Classification		
		Uniform	Medium Shock	Heavy Shock
Electric Motor	Occasional 1/2 hour	Note (1)	Note (1)	1
	Less than 3 hours	1.00	1.00	1.25
	3 - 10 hours	1.00	1.25	1.50
	Over 10 hours	1.25	1.50	1.75
Electric Motor With Up To 10 Starts And Stops Per Hour	Occasional 1/2 hour	Note (1)	1.00	1.25
	Less than 3 hours	1.00	1.25	1.50
	3 - 10 hours	1.25	1.50	1.75
	Over 10 hours	1.50	1.75	2.00

NOTE (1) - Unspecified service factors should be 1.00 or as agreed upon by user and manufacturer.

NOTE (2) - Frequent Start and Stop applications, more than 10 Starts and Stops per hour, require special consideration in selecting a service factor. Contact DODGE Application Engineering for proper selection of TIGEAR-2 Reducers. The brake torque should be limited to two times the normal operating Motor torque.

Overhung Load

To determine overhung load, divide the torque required by the pitch radius of the sprocket, sheave, etc. and multiply by the appropriate factor as follows:

Chain drive	1.00
Synchronous Belt Drive	1.30
Spur or Helical Gear	1.25
V-Belt	1.50
Flat Belt	2.50

The calculated overhung load must not exceed the output overhung load rating.

For loads acting at more than one shaft diameter from the seal face use the following conversion factors:

Distance in Shaft Diameters from Output Seal Face	Multiply Overhung Load Capacity by this Factor
1D	1.00
2D	0.62
3D	0.42
4D	0.32
5D	0.26

Thermal Rating

Ambient Temp, degree F	Derating Factor
75	1.00
90	.87
100	.79
110	.71
120	.62

The thermal ratings listed on selection pages are based on the gear unit continuously operating in an ambient temperature of 75° F. For the ambient condition above 75° F, the derating factor needs to be applied to the thermal rating, or contact DODGE Application Engineering.

CAUTION: Always refer to the Installation, Operation & Maintenance Manual before operating the reducer

SELECTION PROCEDURES

TIGEAR-2 Reducers

Horsepower Method Of Selection

- Step 1: **Determine Service Factor** Referring to the reducer service factor table, determine the appropriate service factor.
- Step 2: **Determine Equivalent Horsepower** Multiply the motor horsepower by the service factor obtained in Step 1.
- Step 3: **Calculate Required Ratio** Divide the motor shaft rpm by the reducer output shaft rpm.
- Step 4: **Determine Unit Size** Refer to the rating tables and read across from ratio row and down from motor rpm column to select a unit whose mechanical input horsepower rating meets or exceeds the equivalent horsepower.
- Step 5: **Check Thermal Rating** Compare the thermal input horsepower rating of the reducer selected to the motor horsepower. Thermal rating should always equal or exceed applied motor horsepower. For continuous duty operation in ambient temperature above 75°F derate the thermal rating per table on page G4-8 or contact DODGE Engineering. Contact DODGE Engineering for use with non-ventilated motors.

Torque Method Of Selection

- Step 1: **Determine Service Factor** Referring to the reducer service factor table, determine the appropriate service factor.
- Step 2: **Determine Equivalent Torque** Multiply the torque required to drive the load at the output of the reducer by the service factor obtained in Step 1. (If drive components, e.g, chain or belt drives are used between reducer and driven equipment be sure to account for them when calculating output torque at the reducer).
- Step 3: **Calculate Required Ratio** Divide the motor shaft rpm by the reducer output shaft rpm.
- Step 4: **Determine Unit Size** Refer to the rating tables and read across from ratio row and down from motor rpm column to select a unit whose mechanical output torque rating meets or exceeds the equivalent torque.

- Step 5: **Determine Required Motor Horsepower** First, calculate the output horsepower using the following equation where output torque is the torque required to drive the load at the output of the reducer.

$$\text{Output HP} = \frac{\text{Output Speed} \times \text{Output Torque}}{63025}$$

Then calculate the required motor horsepower using the following equation to account for reducer efficiency:

$$\text{Required Motor Horsepower} = \frac{\text{Output Hp} \times \text{Rated Input Hp of Reducer}}{\text{Rated Output HP of Reducer}}$$

- Step 6: **Select Motor Hp** From available motors, select a horsepower that is equal to or greater than the value from Step 5: When the nearest motor horsepower is greater, check service factor at input by dividing rated input of reducer horsepower by actual motor horsepower. If the service factor is less than the value from Step 1, a larger reducer may be required.
- Step 7: **Check Thermal Rating** Compare the thermal input horsepower rating of the reducer selected to the motor horsepower. Thermal rating should always equal or exceed applied motor horsepower. For continuous duty operation in ambient temperatures above 75°F contact DODGE Engineering. Contact DODGE Engineering for use with non-ventilated motors.

FEATURES/BENEFITS PAGE G4-2	SPECIFICATION PAGE G4-8	NOMENCLATURE PAGE G4-9	RATINGS/DIMENSIONS PAGE G4-16
--------------------------------	----------------------------	---------------------------	----------------------------------

SELECTION TABLES BY HORSE-POWER AND SERVICE FACTOR



TIGEAR-2 Selection Table 1.00 Reducer Service Factor

1750 RPM Input

Output Rpm	Ratio		Motor Horsepower												
			0.25	0.33	0.50	0.75	1.00	1.50	2.00	3.00	5.00	7.50	10.00	15.00	20.00
350	5	SIZE	13	13	13	13	13	15	17	20	23	30	30	35	40
		Torque	42	55	83	125	166	250	332	502	840	1279	1706	2563	3408
		OHL	650	650	650	650	650	710	1050	1380	1330	1330	1330	2120	2860
233	7.5	SIZE	13	13	13	13	13	17	17	23	26	30	35	40	47
		Torque	60	79	120	180	240	364	485	736	1231	1863	2495	3727	4969
		OHL	650	650	650	650	650	1190	1190	1520	1520	1540	2430	3280	5600
175	10	SIZE	13	13	13	13	15	17	20	23	30	35	35	47	
		Torque	80	105	160	240	321	480	644	972	1650	2498	3331	4973	
		OHL	650	650	650	650	710	1190	1560	1610	1720	2700	2700	5600	
117	15	SIZE	13	13	13	15	17	20	23	26	30	40	40		
		Torque	114	150	227	343	459	701	935	1417	2391	3599	4799		
		OHL	650	650	650	710	1190	1560	1610	1610	2300	4190	4190		
88	20	SIZE	13	13	13	17	17	23	23	30	35	40	47		
		Torque	143	189	286	438	583	898	1198	1845	3125	4665	6156		
		OHL	650	650	650	1190	1190	1610	1610	2300	2760	4300	5600		
70	25	SIZE	13	13	15	17	20	23	26	30	40	47			
		Torque	169	223	341	517	707	1074	1485	2245	3719	5489			
		OHL	650	650	710	1190	1560	1610	1610	2300	4300	5600			
58	30	SIZE	13	13	15	17	23	26	26	35	40				
		Torque	200	264	404	607	847	1312	1750	2662	4365				
		OHL	650	650	710	1190	1610	1610	1610	2760	4300				
44	40	SIZE	13	15	17	20	23	26	30	35	47				
		Torque	249	333	520	793	1071	1630	2224	3361	5350				
		OHL	650	710	1190	1560	1610	1610	2300	2760	5600				
35	50	SIZE	13	15	17	23	26	30	35	40					
		Torque	289	388	600	929	1262	1940	2637	3767					
		OHL	650	710	1190	1610	1610	2300	2760	4300					
29	60	SIZE	15	17	20	23	26	30	35	40					
		Torque	329	442	691	1037	1432	2179	2923	4234					
		OHL	710	1190	1560	1610	1610	2300	2760	4300					

Torque = Actual output torque in lb. - in

OHL - Maximum OHL capacity in lbs

SELECTION TABLES BY HORSE-POWER AND SERVICE FACTOR



TIGEAR-2 Selection Table 1.25 Reducer Service Factor

1750 RPM Input

Output Rpm	Ratio		Motor Horsepower												
			0.25	0.33	0.50	0.75	1.00	1.50	2.00	3.00	5.00	7.50	10.00	15.00	20.00
350	5	SIZE	13	13	13	13	13	17	17	23	26	30	35	40	47
		Torque	42	55	83	125	166	249	332	504	846	1279	1709	2556	3397
		OHL	520	520	520	520	520	840	840	1064	1064	1064	1696	2288	4080
233	7.5	SIZE	13	13	13	13	15	17	20	23	30	35	40	47	
		Torque	60	79	120	180	241	364	489	736	1242	1871	2485	3727	
		OHL	520	520	520	520	568	952	1248	1216	1232	1944	2624	4480	
175	10	SIZE	13	13	13	15	17	20	23	26	30	35	40	47	
		Torque	80	105	160	241	320	483	648	979	1650	2498	3315	4973	
		OHL	520	520	520	568	952	1248	1288	1288	1376	2160	2912	4480	
117	15	SIZE	13	13	13	17	17	23	23	30	35	40	47		
		Torque	114	150	227	345	459	701	935	1434	2418	3599	4796		
		OHL	520	520	520	952	952	1288	1288	1840	2208	3352	4480		
88	20	SIZE	13	13	15	17	20	23	26	30	40	47			
		Torque	143	189	292	438	596	898	1236	1845	3110	4617			
		OHL	520	520	568	952	1248	1288	1288	1840	3440	4480			
70	25	SIZE	13	13	17	20	23	26	30	35	40				
		Torque	169	223	345	530	716	1114	1497	2279	3719				
		OHL	520	520	952	1248	1288	1288	1840	2208	3440				
58	30	SIZE	13	150	17	20	23	26	30	35	47				
		Torque	200	267	404	625	847	1312	1766	2662	4308				
		OHL	520	568	952	1248	1288	1288	1840	2208	4480				
44	40	SIZE	13	150	20	23	26	30	35	40					
		Torque	249	333	529	803	1087	1668	2241	3253					
		OHL	520	568	1248	1288	1288	1840	2208	3440					
35	50	SIZE	150	17	20	23	26	35	35	47					
		Torque	294	396	617	929	1262	1978	2637	3705					
		OHL	568	952	1248	1288	1288	2208	2208	4480					
29	60	SIZE	17	17	23	26	30	35	40	47					
		Torque	335	442	692	1074	1453	2192	2822	4143					
		OHL	952	952	1288	1288	1840	2208	3440	4480					

Torque = Actual output torque in lb. - in
OHL - Maximum OHL capacity in lbs

FEATURES/BENEFITS PAGE G4-2	SPECIFICATION PAGE G4-8	NOMENCLATURE PAGE G4-9	RATINGS/DIMENSIONS PAGE G4-16
--------------------------------	----------------------------	---------------------------	----------------------------------

SELECTION TABLES BY HORSE-POWER AND SERVICE FACTOR



TIGEAR-2 Selection Table 1.50 Reducer Service Factor

1750 RPM Input

Output Rpm	Ratio		Motor Horsepower											
			0.25	0.33	0.50	0.75	1.00	1.50	2.00	3.00	5.00	7.50	10.00	15.00
350	5	SIZE	13	13	13	13	15	17	20	23	30	35	35	47
		Torque	42	55	83	125	167	249	335	504	853	1281	1709	2548
		OHL	433	433	433	433	473	700	700	887	887	1413	1413	3400
233	7.5	SIZE	13	13	13	15	17	20	23	26	30	35	40	47
		Torque	60	79	120	181	243	367	491	739	1242	1871	2485	3727
		OHL	433	433	433	473	793	1040	1013	1013	1027	1620	2187	3733
175	10	SIZE	13	13	13	15	17	20	23	26	35	40	47	
		Torque	80	105	160	241	320	483	648	979	1666	2486	3315	
		OHL	433	433	433	473	793	1040	1073	1073	1800	2427	3733	
117	15	SIZE	13	13	15	17	20	23	26	30	40	47		
		Torque	114	150	228	345	467	701	944	1434	2400	3597		
		OHL	433	433	473	793	1040	1073	1073	1533	2793	3733		
88	20	SIZE	13	13	17	20	23	26	30	35	40			
		Torque	143	189	292	447	599	927	1230	1875	3110			
		OHL	433	433	793	1040	1073	1073	1533	1840	2867			
70	25	SIZE	13	15	17	23	23	26	30	35	47			
		Torque	169	225	345	537	716	1114	1497	2279	3659			
		OHL	433	473	793	1073	1073	1073	1533	1840	3733			
58	30	SIZE	13	15	17	23	26	30	35	40	47			
		Torque	200	267	404	635	875	1324	1775	2619	4308			
		OHL	433	473	793	1073	1073	1533	1840	2867	3733			
44	40	SIZE	15	17	20	26	26	35	35	47				
		Torque	252	343	529	815	1087	1680	2241	3210				
		OHL	473	793	1040	1073	1073	1840	1840	3733				
35	50	SIZE	17	17	23	26	30	35	40	47				
		Torque	300	396	619	947	1293	1978	2511	3705				
		OHL	793	793	1073	1073	1533	1840	2867	3733				
29	60	SIZE	17	20	23	30	30	40	40					
		Torque	335	456	692	1090	1453	2117	2822					
		OHL	793	1040	1073	1533	1533	2867	2867					

Torque = Actual output torque in lb. - in
OHL - Maximum OHL capacity in lbs

SELECTION TABLES BY HORSE-POWER AND SERVICE FACTOR



TIGEAR-2 Selection Table 2.00 Reducer Service Factor

1750 RPM Input

Output Rpm	Ratio		Motor Horsepower												
			0.25	0.33	0.50	0.75	1.00	1.50	2.00	3.00	5.00	7.50	10.00	15.00	20.00
350	5	SIZE	13	13	13	15	17	20	23	26	30	35	40		
		Torque	42	55	83	125	166	251	336	508	853	1281	1704		
		OHL	325	325	325	355	525	690	665	665	665	1060	1430		
233	7.5	SIZE	13	13	13	17	17	23	23	30	35	40	47		
		Torque	60	79	120	182	243	368	491	745	1248	1863	2485		
		OHL	325	325	325	595	595	760	760	770	1215	1640	2800		
175	10	SIZE	13	13	15	17	20	23	26	30	35	47			
		Torque	80	105	160	240	322	486	653	990	1666	2487			
		OHL	325	325	355	595	780	805	805	860	1350	2800			
117	15	SIZE	13	15	17	20	23	26	30	35	40				
		Torque	114	151	230	350	468	708	956	1451	2400				
		OHL	325	355	595	780	805	805	1150	1380	2095				
88	20	SIZE	13	15	17	23	23	30	35	40	47				
		Torque	143	193	292	449	599	922	1250	1866	3078				
		OHL	325	355	595	805	805	1150	1380	2150	2800				
70	25	SIZE	15	17	20	23	26	30	35	40					
		Torque	170	227	354	537	743	1122	1519	2231					
		OHL	355	595	780	805	805	1150	1380	2150					
58	30	SIZE	150	17	23	26	26	35	35	47					
		Torque	202	267	424	656	875	1331	1775	2585					
		OHL	355	595	805	805	805	1380	1380	2800					
44	40	SIZE	17	20	23	26	30	35	40	47					
		Torque	260	349	536	815	1112	1680	2168	3210					
		OHL	595	780	805	805	1150	1380	2150	2800					
35	50	SIZE	17	23	26	30	35	40	47						
		Torque	300	409	631	970	1318	1884	2470						
		OHL	595	805	805	1150	1380	2150	2800						
29	60	SIZE	20	23	26	30	35	40	47						
		Torque	345	456	716	1090	1462	2117	2762						
		OHL	780	805	805	1150	1380	2150	2800						

Torque = Actual output torque in lb. - in

OHL - Maximum OHL capacity in lbs

FEATURES/BENEFITS PAGE G4-2	SPECIFICATION PAGE G4-8	NOMENCLATURE PAGE G4-9	RATINGS/DIMENSIONS PAGE G4-16
--------------------------------	----------------------------	---------------------------	----------------------------------



RATINGS/DIMENSIONS

TIGEAR-2 Reducers With Quill Input - Size 13

Ratio	Output RPM	Rating Data		Part Number 56C	Shaft Position
		1750 Input RPM			
5	350	Mechanical Input Hp	1.32	13Q05L56	L
		Thermal Input Hp	2.94	13Q05R56	R
		Output Torque (lb in.)	219	13Q05LR56	LR
		Mechanical Output Hp	1.22	13Q05H56	HOLLOW
		Output OHL (lbs.)	650		
7.5	233	Mechanical Input Hp	1.04	13Q07L56	L
		Thermal Input Hp	2.27	13Q07R56	R
		Output Torque (lb in.)	251	13Q07LR56	LR
		Mechanical Output Hp	0.94	13Q07H56	HOLLOW
		Output OHL (lbs.)	650		
10	175	Mechanical Input Hp	0.85	13Q10L56	L
		Thermal Input Hp	1.96	13Q10R56	R
		Output Torque (lb in.)	270	13Q10LR56	LR
		Mechanical Output Hp	0.75	13Q10H56	HOLLOW
		Output OHL (lbs.)	650		
15	117	Mechanical Input Hp	0.64	13Q15L56	L
		Thermal Input Hp	1.38	13Q15R56	R
		Output Torque (lb in.)	293	13Q15LR56	LR
		Mechanical Output Hp	0.54	13Q15H56	HOLLOW
		Output OHL (lbs.)	650		
20	88	Mechanical Input Hp	0.53	13Q20L56	L
		Thermal Input Hp	1.06	13Q20R56	R
		Output Torque (lb in.)	304	13Q20LR56	LR
		Mechanical Output Hp	0.42	13Q20H56	HOLLOW
		Output OHL (lbs.)	650		
25	70	Mechanical Input Hp	0.46	13Q25L56	L
		Thermal Input Hp	0.86	13Q25R56	R
		Output Torque (lb in.)	311	13Q25LR56	LR
		Mechanical Output Hp	0.35	13Q25H56	HOLLOW
		Output OHL (lbs.)	650		
30	58	Mechanical Input Hp	0.39	13Q30L56	L
		Thermal Input Hp	0.85	13Q30R56	R
		Output Torque (lb in.)	314	13Q30LR56	LR
		Mechanical Output Hp	0.29	13Q30H56	HOLLOW
		Output OHL (lbs.)	650		
40	44	Mechanical Input Hp	0.32	13Q40L56	L
		Thermal Input Hp	0.7	13Q40R56	R
		Output Torque (lb in.)	319	13Q40LR56	LR
		Mechanical Output Hp	0.22	13Q40H56	HOLLOW
		Output OHL (lbs.)	650		
50	35	Mechanical Input Hp	0.27	13Q50L56	L
		Thermal Input Hp	0.61	13Q50R56	R
		Output Torque (lb in.)	313	13Q50LR56	LR
		Mechanical Output Hp	0.17	13Q50H56	HOLLOW
		Output OHL (lbs.)	650		
60	29	Mechanical Input Hp	0.23	13Q60L56	L
		Thermal Input Hp	0.54	13Q60R56	R
		Output Torque (lb in.)	298	13Q60LR56	LR
		Mechanical Output Hp	0.14	13Q60H56	HOLLOW
		Output OHL (lbs.)	650		

Note: Reducers are shipped without a mounting base. Order bolt-on base kit **13BASE** if required. Refer to page G4-118 for hollow bore bushing selections

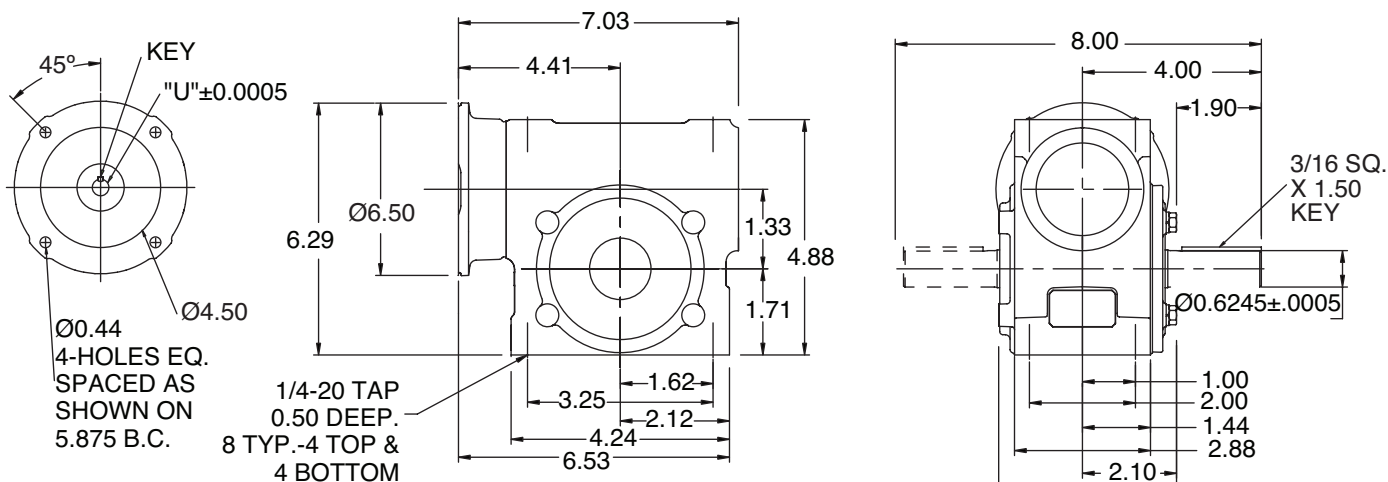
FEATURES/BENEFITS PAGE G4-2	SPECIFICATION PAGE G4-8	NOMENCLATURE PAGE G4-9	WASHDOWN PRODUCT PAGE G4-80
--------------------------------	----------------------------	---------------------------	--------------------------------



RATINGS/DIMENSIONS

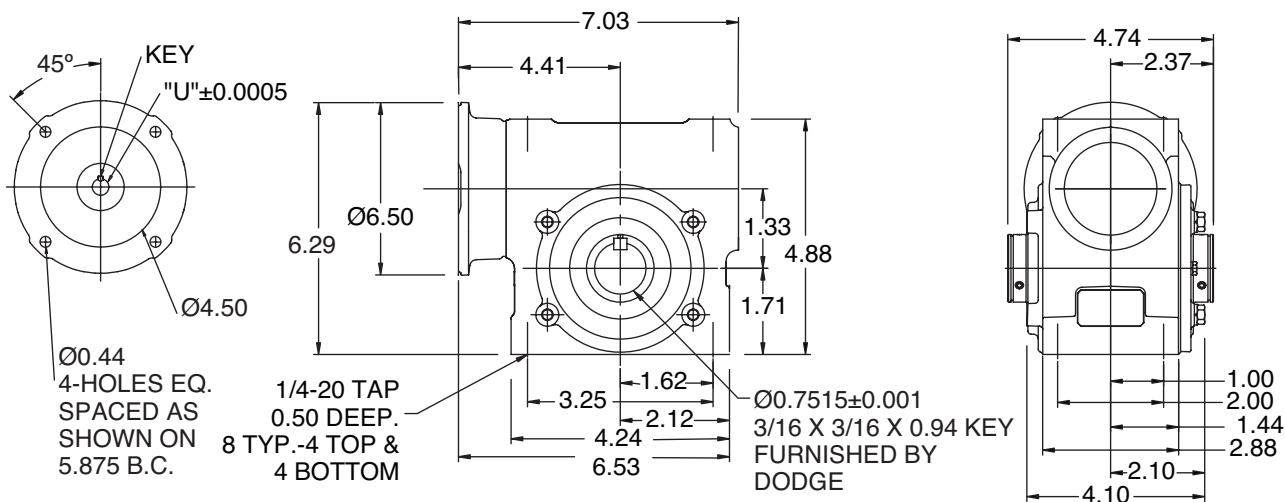
TIGEAR-2 Reducers With Quill Input - Size 13

SOLID OUTPUT

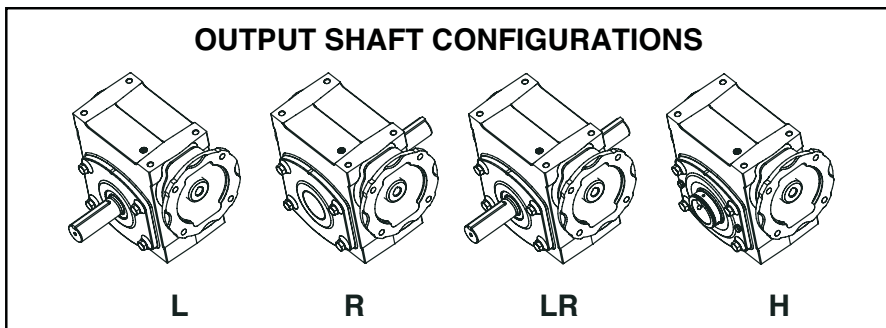


MOTOR FRAME	DIM "U"	KEY
48Y	0.626	3/16 SQ. X 1.72 KEY
56C	0.626	3/16 SQ. X 1.72 KEY

HOLLOW OUTPUT



OUTPUT SHAFT CONFIGURATIONS





RATINGS/DIMENSIONS

TIGEAR-2 Reducers With Separate Input - Size 13

Ratio	Output RPM	Rating Data 1750 Input RPM		Separate Reducer	Shaft Position	Optional Motor Adapter Kit	
						56C	140TC
5	350	Mechanical Input Hp	1.32	13S05L	L	1315MTR56	1315MTR14
		Thermal Input Hp	2.94	13S05R	R		
		Output Torque (lb in.)	219	13S05LR	LR		
		Mechanical Output Hp	1.22	13S05H	HOLLOW		
		Output OHL (lbs.)	650				
7.5	233	Mechanical Input Hp	1.04	13S07L	L	1315MTR56	1315MTR14
		Thermal Input Hp	2.27	13S07R	R		
		Output Torque (lb in.)	251	13S07LR	LR		
		Mechanical Output Hp	0.94	13S07H	HOLLOW		
		Output OHL (lbs.)	650				
10	175	Mechanical Input Hp	0.85	13S10L	L	1315MTR56	1315MTR14
		Thermal Input Hp	1.96	13S10R	R		
		Output Torque (lb in.)	270	13S10LR	LR		
		Mechanical Output Hp	0.75	13S10H	HOLLOW		
		Output OHL (lbs.)	650				
15	117	Mechanical Input Hp	0.64	13S15L	L	1315MTR56	
		Thermal Input Hp	1.38	13S15R	R		
		Output Torque (lb in.)	293	13S15LR	LR		
		Mechanical Output Hp	0.54	13S15H	HOLLOW		
		Output OHL (lbs.)	650				
20	88	Mechanical Input Hp	0.53	13S20L	L	1315MTR56	
		Thermal Input Hp	1.06	13S20R	R		
		Output Torque (lb in.)	304	13S20LR	LR		
		Mechanical Output Hp	0.42	13S20H	HOLLOW		
		Output OHL (lbs.)	650				
25	70	Mechanical Input Hp	0.46	13S25L	L	1315MTR56	
		Thermal Input Hp	0.86	13S25R	R		
		Output Torque (lb in.)	311	13S25LR	LR		
		Mechanical Output Hp	0.35	13S25H	HOLLOW		
		Output OHL (lbs.)	650				
30	58	Mechanical Input Hp	0.39	13S30L	L	1315MTR56	
		Thermal Input Hp	0.85	13S30R	R		
		Output Torque (lb in.)	314	13S30LR	LR		
		Mechanical Output Hp	0.29	13S30H	HOLLOW		
		Output OHL (lbs.)	650				
40	44	Mechanical Input Hp	0.32	13S40L	L	1315MTR56	
		Thermal Input Hp	0.70	13S40R	R		
		Output Torque (lb in.)	319	13S40LR	LR		
		Mechanical Output Hp	0.22	13S40H	HOLLOW		
		Output OHL (lbs.)	650				
50	35	Mechanical Input Hp	0.27	13S50L	L	1315MTR56	
		Thermal Input Hp	0.61	13S50R	R		
		Output Torque (lb in.)	313	13S50LR	LR		
		Mechanical Output Hp	0.17	13S50H	HOLLOW		
		Output OHL (lbs.)	650				
60	29	Mechanical Input Hp	0.23	13S60L	L	1315MTR56	
		Thermal Input Hp	0.54	13S60R	R		
		Output Torque (lb in.)	298	13S60LR	LR		
		Mechanical Output Hp	0.14	13S60H	HOLLOW		
		Output OHL (lbs.)	650				
All Ratios		Input OHL (lbs)	120	One diameter from seal surface			

Note: TIGEAR-2 separate reducers cannot be used with the old Adaptable TIGEAR motor adapter kits. Refer to page G4-118 for hollow bore bushing selections

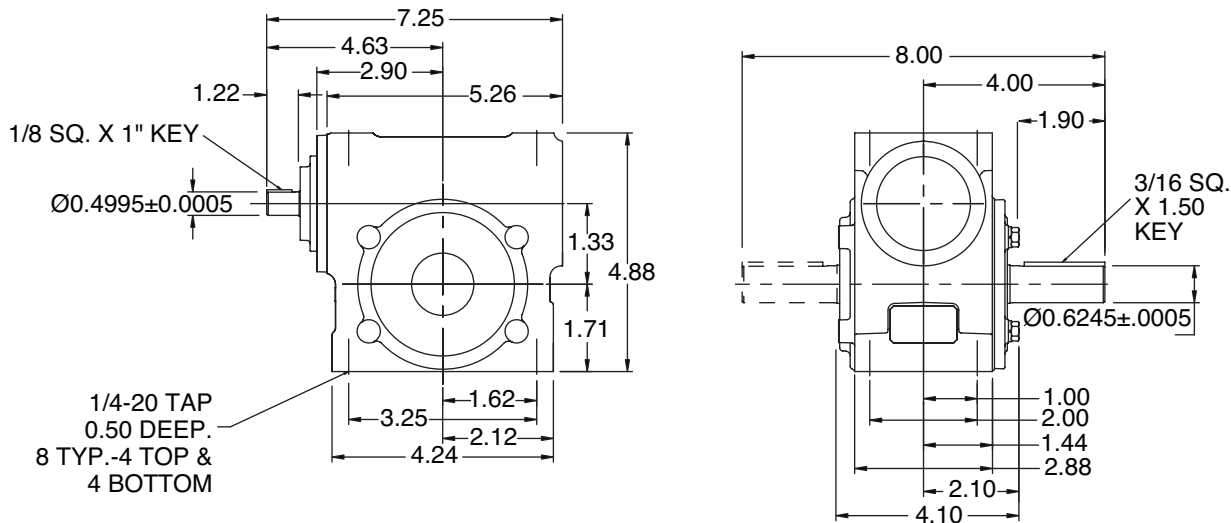
FEATURES/BENEFITS PAGE G4-2	SPECIFICATION PAGE G4-8	NOMENCLATURE PAGE G4-9	RATINGS/DIMENSIONS PAGE G4-16
--------------------------------	----------------------------	---------------------------	----------------------------------



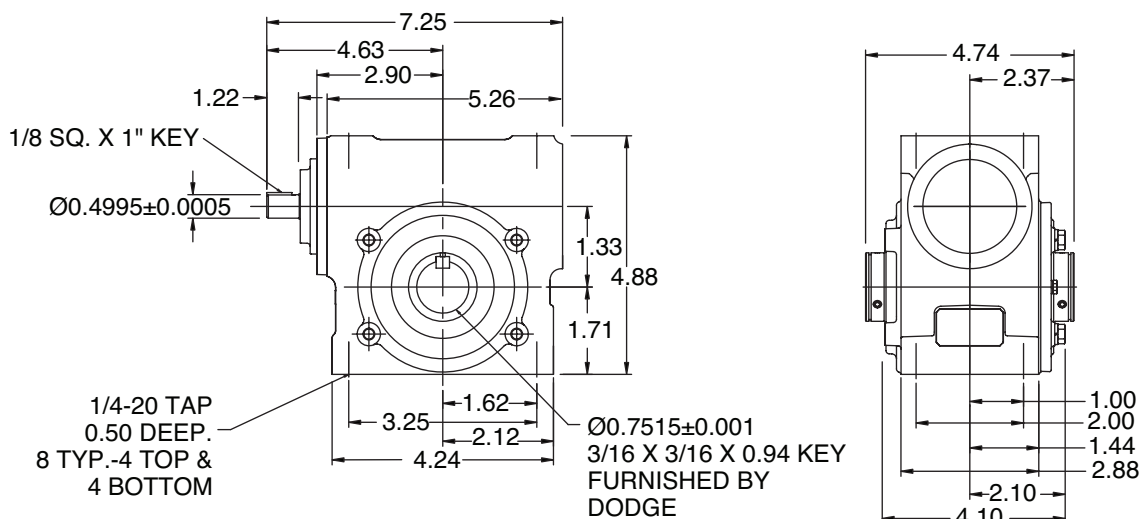
RATINGS/DIMENSIONS

TIGEAR-2 Reducers With Separate Input - Size 13

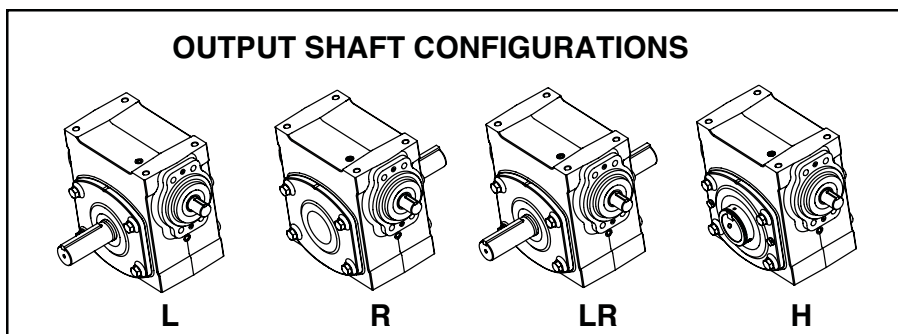
SOLID OUTPUT



HOLLOW OUTPUT



OUTPUT SHAFT CONFIGURATIONS





RATINGS/DIMENSIONS

TIGEAR-2 Reducers With 3-Piece Coupled Input - Size 13

3-Piece Coupled units include a Separate reducer, 3-piece coupling and motor adapter housing assembled together.

These assemblies are normally "made to order" with a 5 day standard lead time.

Ratio	Output RPM	Rating Data 1750 Input RPM		Part Number		Shaft Position
				56C	140TC	
5	350	Mechanical Input Hp	1.32	13A05L56	13A05L14	L
		Thermal Input Hp	2.94	13A05R56	13A05RL14	R
		Output Torque (lb in.)	219	13A05LR56	13A05LR14	LR
		Mechanical Output Hp	1.22	13A05H56	13A05H14	HOLLOW
		Output OHL (lbs.)	650			
7.5	233	Mechanical Input Hp	1.04	13A07L56	13A07L14	L
		Thermal Input Hp	2.27	13A07R56	13A07RL14	R
		Output Torque (lb in.)	251	13A07LR56	13A07LR14	LR
		Mechanical Output Hp	0.94	13A07H56	13A07H14	HOLLOW
		Output OHL (lbs.)	650			
10	175	Mechanical Input Hp	0.85	13A10L56	13A10L14	L
		Thermal Input Hp	1.96	13A10R56	13A10RL14	R
		Output Torque (lb in.)	270	13A10LR56	13A10LR14	LR
		Mechanical Output Hp	0.75	13A10H56	13A10H14	HOLLOW
		Output OHL (lbs.)	650			
15	117	Mechanical Input Hp	0.64	13A15L56		L
		Thermal Input Hp	1.38	13A15R56		R
		Output Torque (lb in.)	293	13A15LR56		LR
		Mechanical Output Hp	0.54	13A15H56		HOLLOW
		Output OHL (lbs.)	650			
20	88	Mechanical Input Hp	0.53	13A20L56		L
		Thermal Input Hp	1.06	13A20R56		R
		Output Torque (lb in.)	304	13A20LR56		LR
		Mechanical Output Hp	0.42	13A20H56		HOLLOW
		Output OHL (lbs.)	650			
25	70	Mechanical Input Hp	0.46	13A25L56		L
		Thermal Input Hp	0.86	13A25R56		R
		Output Torque (lb in.)	311	13A25LR56		LR
		Mechanical Output Hp	0.35	13A25H56		HOLLOW
		Output OHL (lbs.)	650			
30	58	Mechanical Input Hp	0.39	13A30L56		L
		Thermal Input Hp	0.85	13A30R56		R
		Output Torque (lb in.)	314	13A30LR56		LR
		Mechanical Output Hp	0.29	13A30H56		HOLLOW
		Output OHL (lbs.)	650			
40	44	Mechanical Input Hp	0.32	13A40L56		L
		Thermal Input Hp	0.70	13A40R56		R
		Output Torque (lb in.)	319	13A40LR56		LR
		Mechanical Output Hp	0.22	13A40H56		HOLLOW
		Output OHL (lbs.)	650			
50	35	Mechanical Input Hp	0.27	13A50L56		L
		Thermal Input Hp	0.61	13A50R56		R
		Output Torque (lb in.)	313	13A50LR56		LR
		Mechanical Output Hp	0.17	13A50H56		HOLLOW
		Output OHL (lbs.)	650			
60	29	Mechanical Input Hp	0.23	13A60L56		L
		Thermal Input Hp	0.54	13A60R56		R
		Output Torque (lb in.)	298	13A60LR56		LR
		Mechanical Output Hp	0.14	13A60H56		HOLLOW
		Output OHL (lbs.)	650			

Note: Reducers are shipped without a mounting base. Order bolt-on base kit 13BASE if required.
Refer to page G4-118 for hollow bore bushing selections

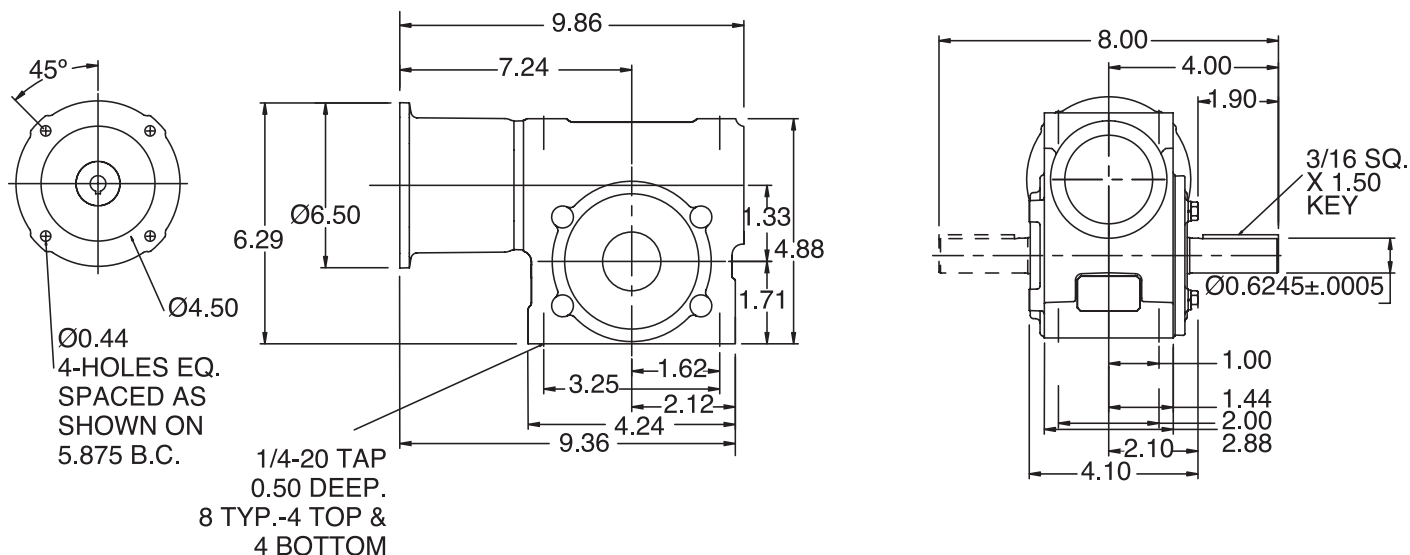
FEATURES/BENEFITS PAGE G4-2	SPECIFICATION PAGE G4-8	NOMENCLATURE PAGE G4-9	RATINGS/DIMENSIONS PAGE G4-16
--------------------------------	----------------------------	---------------------------	----------------------------------



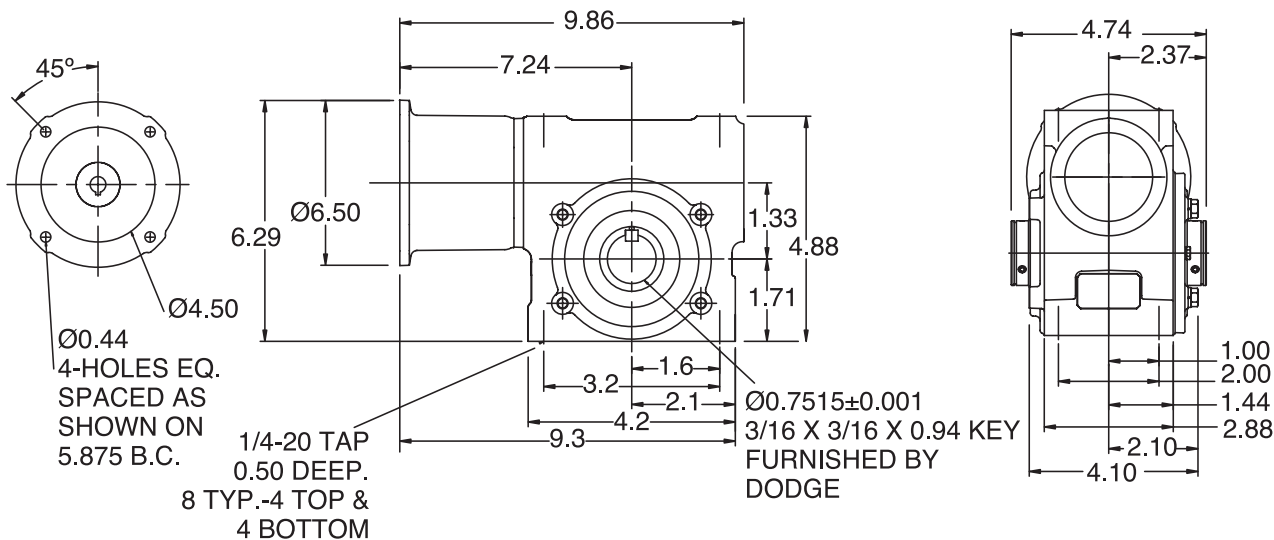
RATINGS/DIMENSIONS

TIGEAR-2 Reducers With 3-Piece Coupled Input - Size 13

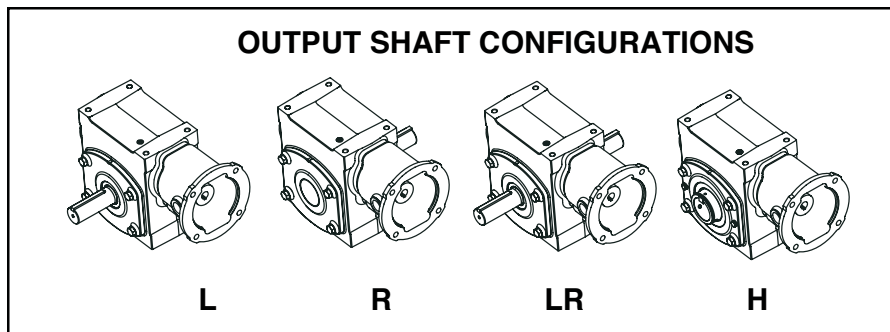
SOLID OUTPUT



HOLLOW OUTPUT



OUTPUT SHAFT CONFIGURATIONS



FEATURES/BENEFITS PAGE G4-2	SPECIFICATION PAGE G4-8	NOMENCLATURE PAGE G4-9	RATINGS/DIMENSIONS PAGE G4-16
--------------------------------	----------------------------	---------------------------	----------------------------------



RATINGS/DIMENSIONS

TIGEAR-2 Reducers With Quill Input - Size 15

Ratio	Output RPM	Rating Data		Part Number 56C	Shaft Position
		1750 Input RPM			
5	350	Mechanical Input Hp	1.75	15Q05L56	L
		Thermal Input Hp	3.34	15Q05R56	R
		Output Torque (lb in.)	293	15Q05LR56	LR
		Mechanical Output Hp	1.63	15Q05H56	HOLLOW
		Output OHL (lbs.)	710		
7.5	233	Mechanical Input Hp	1.40	15Q07L56	L
		Thermal Input Hp	2.55	15Q07R56	R
		Output Torque (lb in.)	337	15Q07LR56	LR
		Mechanical Output Hp	1.26	15Q07H56	HOLLOW
		Output OHL (lbs.)	710		
10	175	Mechanical Input Hp	1.13	15Q10L56	L
		Thermal Input Hp	2.22	15Q10R56	R
		Output Torque (lb in.)	361	15Q10LR56	LR
		Mechanical Output Hp	1.00	15Q10H56	HOLLOW
		Output OHL (lbs.)	710		
15	117	Mechanical Input Hp	0.86	15Q15L56	L
		Thermal Input Hp	1.58	15Q15R56	R
		Output Torque (lb in.)	392	15Q15LR56	LR
		Mechanical Output Hp	0.73	15Q15H56	HOLLOW
		Output OHL (lbs.)	710		
20	88	Mechanical Input HP	0.70	15Q20L56	L
		Thermal Input Hp	1.26	15Q20R56	R
		Output Torque (lb in.)	407	15Q20LR56	LR
		Mechanical Output Hp	0.56	15Q20H56	HOLLOW
		Output OHL (lbs.)	710		
25	70	Mechanical Input Hp	0.60	15Q25L56	L
		Thermal Input Hp	0.99	15Q25R56	R
		Output Torque (lb in.)	410	15Q25LR56	LR
		Mechanical Output Hp	0.46	15Q25H56	HOLLOW
		Output OHL (lbs.)	710		
30	58	Mechanical Input Hp	0.51	15Q30L56	L
		Thermal Input Hp	0.96	15Q30R56	R
		Output Torque (lb in.)	413	15Q30LR56	LR
		Mechanical Output Hp	0.38	15Q30H56	HOLLOW
		Output OHL (lbs.)	710		
40	44	Mechanical Input Hp	0.41	15Q40L56	L
		Thermal Input Hp	0.80	15Q40R56	R
		Output Torque (lb in.)	417	15Q40LR56	LR
		Mechanical Output Hp	0.29	15Q40H56	HOLLOW
		Output OHL (lbs.)	710		
50	35	Mechanical Input Hp	0.34	15Q50L56	L
		Thermal Input Hp	0.70	15Q50R56	R
		Output Torque (lb in.)	402	15Q50LR56	LR
		Mechanical Output Hp	0.22	15Q50H56	HOLLOW
		Output OHL (lbs.)	710		
60	29	Mechanical Input Hp	0.29	15Q60L56	L
		Thermal Input Hp	0.62	15Q60R56	R
		Output Torque (lb in.)	381	15Q60LR56	LR
		Mechanical Output Hp	0.18	15Q60H56	HOLLOW
		Output OHL (lbs.)	710		

Note: Reducers are shipped without a mounting base. Order bolt-on base kit **15BASE** if required.
Refer to page G4-118 for hollow bore bushing selections.

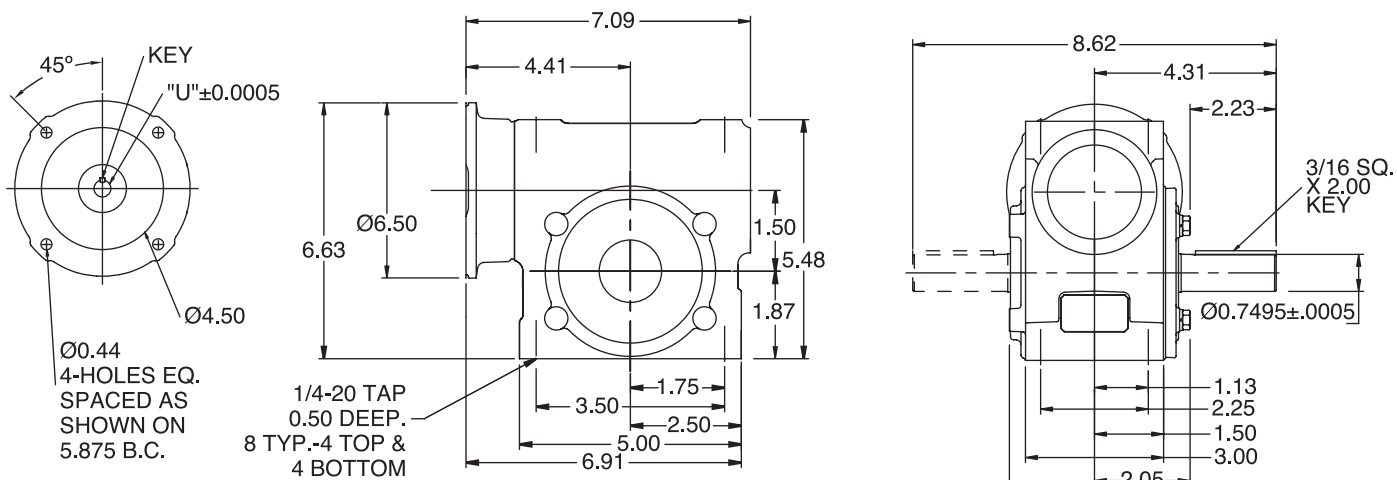
FEATURES/BENEFITS PAGE G4-2	SPECIFICATION PAGE G4-8	NOMENCLATURE PAGE G4-9	WASHDOWN PRODUCT PAGE G4-80
--------------------------------	----------------------------	---------------------------	--------------------------------



RATINGS/DIMENSIONS

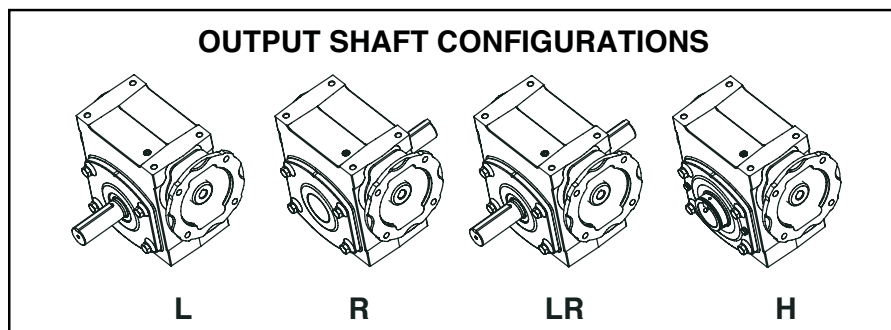
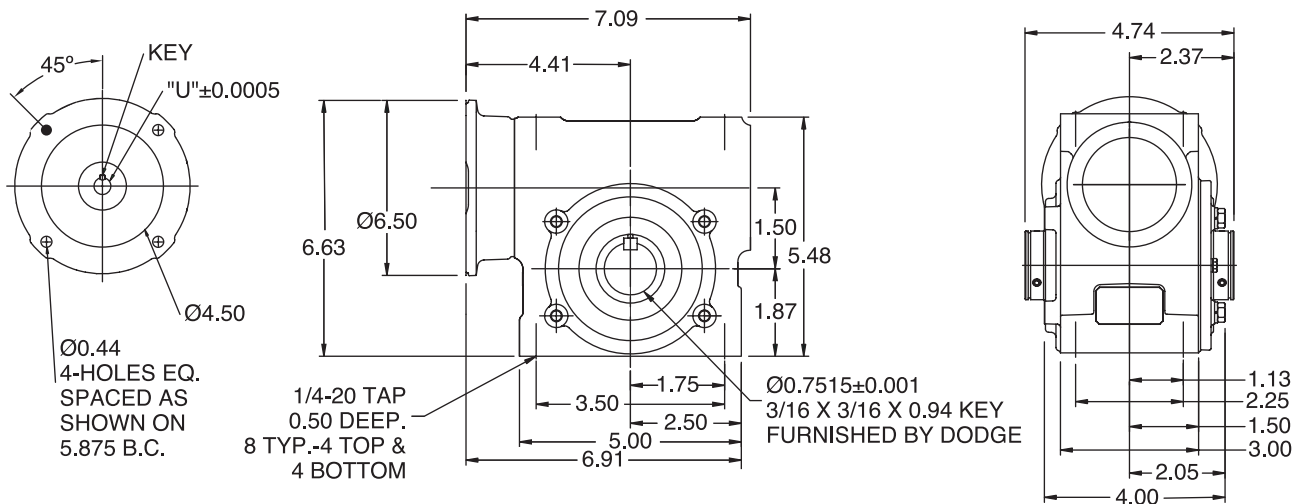
TIGEAR-2 Reducers With Quill Input - Size 15

SOLID OUTPUT



MOTOR FRAME	"U"	KEY
48Y 56C	Ø0.626	3/16 SQ. X 1.72 KEY

HOLLOW OUTPUT





RATINGS/DIMENSIONS

TIGEAR-2 Reducers With Separate Input - Size 15

Ratio	Output RPM	Rating Data 1750 Input RPM		Separate Reducer	Shaft Position	Optional Motor Adapter Kit	
						56C	140TC
5	350	Mechanical Input Hp	1.75	15S05L	L	1315MTR56	1315MTR14
		Thermal Input Hp	3.34	15S05R	R		
		Output Torque (lb in.)	293	15S05LR	LR		
		Mechanical Output Hp	1.63	15S05H	HOLLOW		
		Output OHL (lbs.)	710				
7.5	233	Mechanical Input Hp	1.40	15S07L	L	1315MTR56	1315MTR14
		Thermal Input Hp	2.55	15S07R	R		
		Output Torque (lb in.)	337	15S07LR	LR		
		Mechanical Output Hp	1.26	15S07H	HOLLOW		
		Output OHL (lbs.)	710				
10	175	Mechanical Input Hp	1.13	15S10L	L	1315MTR56	1315MTR14
		Thermal Input Hp	2.22	15S10R	R		
		Output Torque (lb in.)	361	15S10LR	LR		
		Mechanical Output Hp	1.00	15S10H	HOLLOW		
		Output OHL (lbs.)	710				
15	117	Mechanical Input Hp	0.86	15S15L	L	1315MTR56	
		Thermal Input Hp	1.58	15S15R	R		
		Output Torque (lb in.)	392	15S15LR	LR		
		Mechanical Output Hp	0.73	15S15H	HOLLOW		
		Output OHL (lbs.)	710				
20	88	Mechanical Input Hp	0.70	15S20L	L	1315MTR56	
		Thermal Input Hp	1.26	15S20R	R		
		Output Torque (lb in.)	407	15S20LR	LR		
		Mechanical Output Hp	0.56	15S20H	HOLLOW		
		Output OHL (lbs.)	710				
25	70	Mechanical Input Hp	0.60	15S25L	L	1315MTR56	
		Thermal Input Hp	0.99	15S25R	R		
		Output Torque (lb in.)	410	15S25LR	LR		
		Mechanical Output Hp	0.46	15S25H	HOLLOW		
		Output OHL (lbs.)	710				
30	58	Mechanical Input Hp	0.51	15S30L	L	1315MTR56	
		Thermal Input Hp	0.96	15S30R	R		
		Output Torque (lb in.)	413	15S30LR	LR		
		Mechanical Output Hp	0.38	15S30H	HOLLOW		
		Output OHL (lbs.)	710				
40	44	Mechanical Input Hp	0.41	15S40L	L	1315MTR56	
		Thermal Input Hp	0.80	15S40R	R		
		Output Torque (lb in.)	417	15S40LR	LR		
		Mechanical Output Hp	0.29	15S40H	HOLLOW		
		Output OHL (lbs.)	710				
50	35	Mechanical Input Hp	0.34	15S50L	L	1315MTR56	
		Thermal Input Hp	0.70	15S50R	R		
		Output Torque (lb in.)	402	15S50LR	LR		
		Mechanical Output Hp	0.22	15S50H	HOLLOW		
		Output OHL (lbs.)	710				
60	29	Mechanical Input Hp	0.29	15S60L	L	1315MTR56	
		Thermal Input Hp	0.62	15S60R	R		
		Output Torque (lb in.)	381	15S60LR	LR		
		Mechanical Output Hp	0.18	15S60H	HOLLOW		
		Output OHL (lbs.)	710				
All Ratios		Input OHL (lbs)	140	One diameter from seal surface			

Note: TIGEAR-2 separate reducers cannot be used with the old Adaptable TIGEAR motor adapter kits. Refer to page G4-118 for hollow bore bushing selections

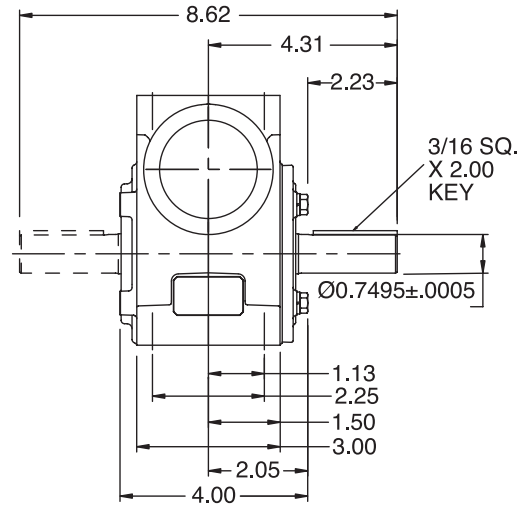
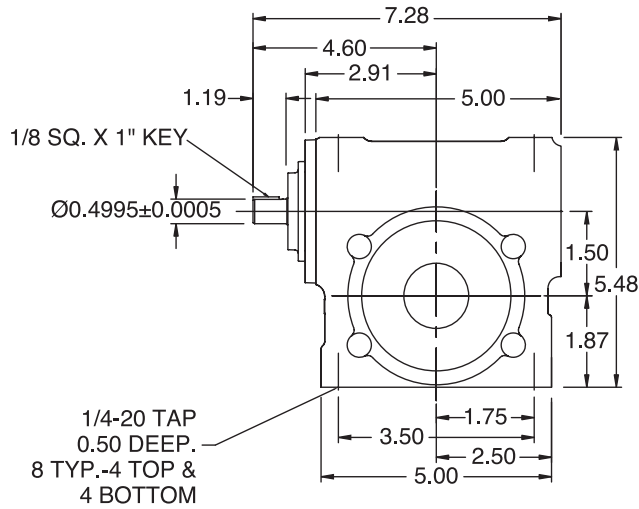
FEATURES/BENEFITS PAGE G4-2	SPECIFICATION PAGE G4-8	NOMENCLATURE PAGE G4-9	RATINGS/DIMENSIONS PAGE G4-16
--------------------------------	----------------------------	---------------------------	----------------------------------



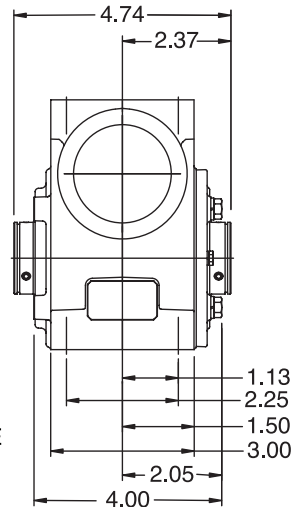
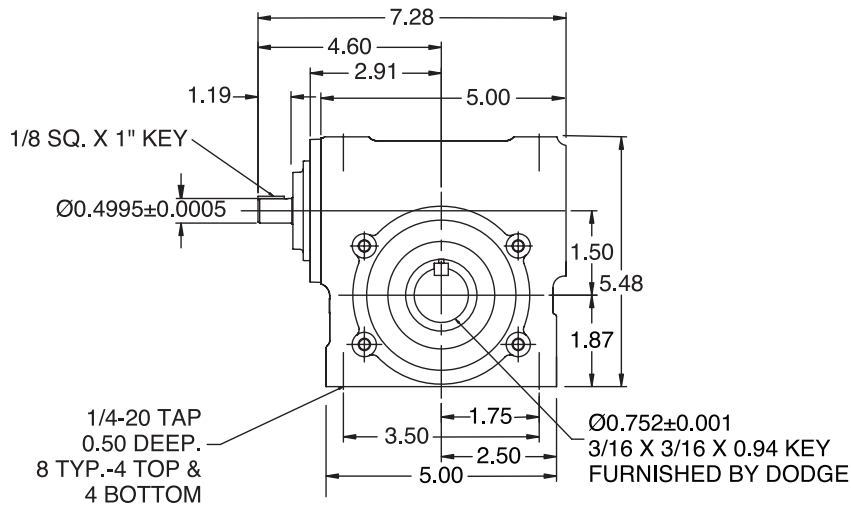
RATINGS/DIMENSIONS

TIGEAR-2 Reducers With Separate Input - Size 15

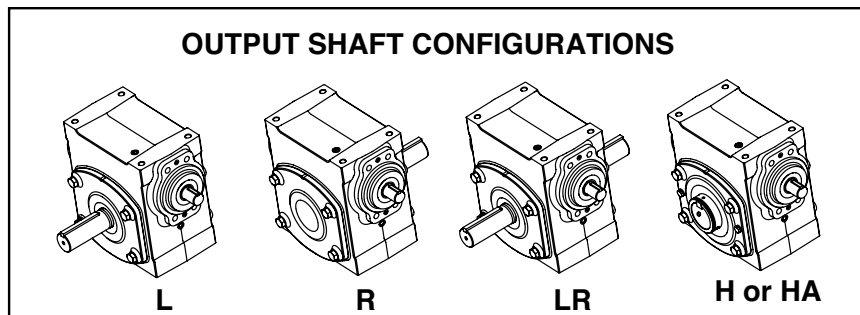
SOLID OUTPUT



HOLLOW OUTPUT



OUTPUT SHAFT CONFIGURATIONS



FEATURES/BENEFITS PAGE G4-2	SPECIFICATION PAGE G4-8	NOMENCLATURE PAGE G4-9	RATINGS/DIMENSIONS PAGE G4-16
--------------------------------	----------------------------	---------------------------	----------------------------------



RATINGS/DIMENSIONS

TIGEAR-2 Reducers With 3-Piece Coupled Input - Size 15

3-Piece Coupled units include a Separate reducer, 3-piece coupling and motor adapter housing assembled together.

These assemblies are normally "made to order" with a 5 day standard lead time.

Ratio	Output RPM	Rating Data 1750 Input RPM		Part Number		Position Shaft
				56C	140TC	
5	350	Mechanical Input Hp	1.75	15A05L56	15A05L14	L
		Thermal Input Hp	3.34	15A05R56	15A05R14	R
		Output Torque (lb in.)	293	15A05LR56	15A05LR14	LR
		Mechanical Output Hp	1.63	15A05H56	15A05H14	HOLLOW
		Output OHL (lbs.)	710			
7.5	233	Mechanical Input Hp	1.40	15A07L56	15A07L14	L
		Thermal Input Hp	2.55	15A07R56	15A07R14	R
		Output Torque (lb in.)	337	15A07LR56	15A07LR14	LR
		Mechanical Output Hp	1.26	15A07H56	15A07H14	HOLLOW
		Output OHL (lbs.)	710			
10	175	Mechanical Input Hp	1.13	15A10L56	15A10L14	L
		Thermal Input Hp	2.22	15A10R56	15A10R14	R
		Output Torque (lb in.)	361	15A10LR56	15A10LR14	LR
		Mechanical Output Hp	1.00	15A10H56	15A10H14	HOLLOW
		Output OHL (lbs.)	710			
15	117	Mechanical Input Hp	0.86	15A15L56		L
		Thermal Input Hp	1.58	15A15R56		R
		Output Torque (lb in.)	392	15A15LR56		LR
		Mechanical Output Hp	0.73	15A15H56		HOLLOW
		Output OHL (lbs.)	710			
20	88	Mechanical Input Hp	0.70	15A20L56		L
		Thermal Input Hp	1.26	15A20R56		R
		Output Torque (lb in.)	407	15A20LR56		LR
		Mechanical Output Hp	0.56	15A20H56		HOLLOW
		Output OHL (lbs.)	710			
25	70	Mechanical Input Hp	0.60	15A25L56		L
		Thermal Input Hp	0.99	15A25R56		R
		Output Torque (lb in.)	410	15A25LR56		LR
		Mechanical Output Hp	0.46	15A25H56		HOLLOW
		Output OHL (lbs.)	710			
30	58	Mechanical Input Hp	0.51	15A30L56		L
		Thermal Input Hp	0.96	15A30R56		R
		Output Torque (lb in.)	413	15A30LR56		LR
		Mechanical Output Hp	0.38	15A30H56		HOLLOW
		Output OHL (lbs.)	710			
40	44	Mechanical Input Hp	0.41	15A40L56		L
		Thermal Input Hp	0.80	15A40R56		R
		Output Torque (lb in.)	417	15A40LR56		LR
		Mechanical Output Hp	0.29	15A40H56		HOLLOW
		Output OHL (lbs.)	710			
50	35	Mechanical Input Hp	0.34	15A50L56		L
		Thermal Input Hp	0.70	15A50R56		R
		Output Torque (lb in.)	402	15A50LR56		LR
		Mechanical Output Hp	0.22	15A50H56		HOLLOW
		Output OHL (lbs.)	710			
60	29	Mechanical Input Hp	0.29	15A60L56		L
		Thermal Input Hp	0.62	15A60R56		R
		Output Torque (lb in.)	381	15A60LR56		LR
		Mechanical Output Hp	0.18	15A60H56		HOLLOW
		Output OHL (lbs.)	710			

Note: Reducers are shipped without a mounting base. Order bolt-on base kit **15BASE** if required.

Refer to page G4-118 for hollow bore bushing selections

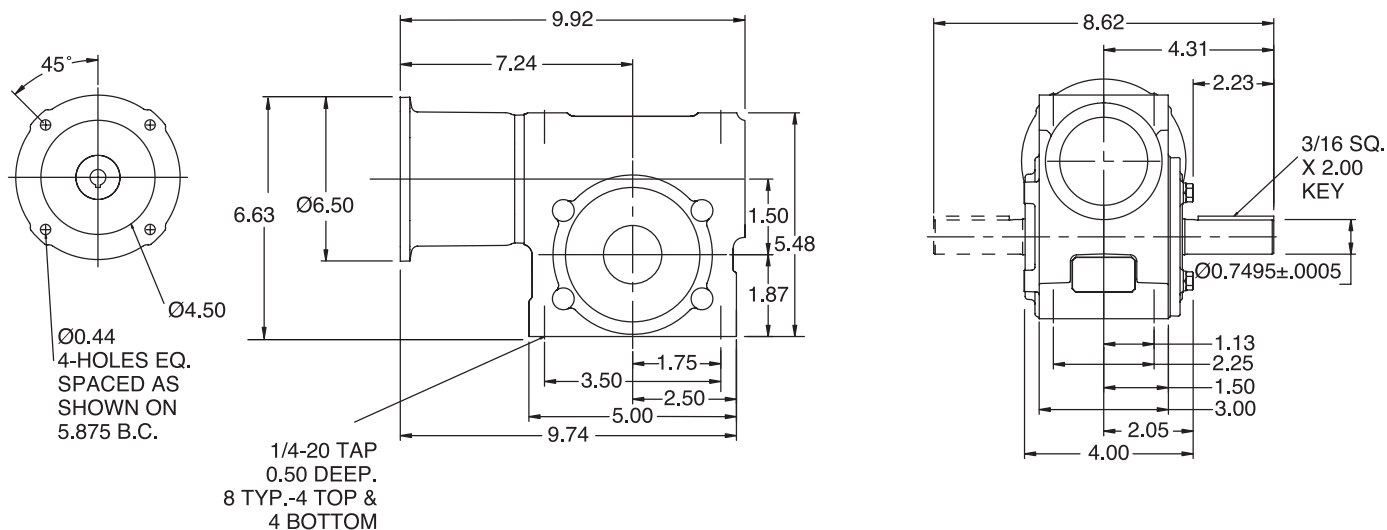
FEATURES/BENEFITS PAGE G4-2	SPECIFICATION PAGE G4-8	NOMENCLATURE PAGE G4-9	RATINGS/DIMENSIONS PAGE G4-16
--------------------------------	----------------------------	---------------------------	----------------------------------



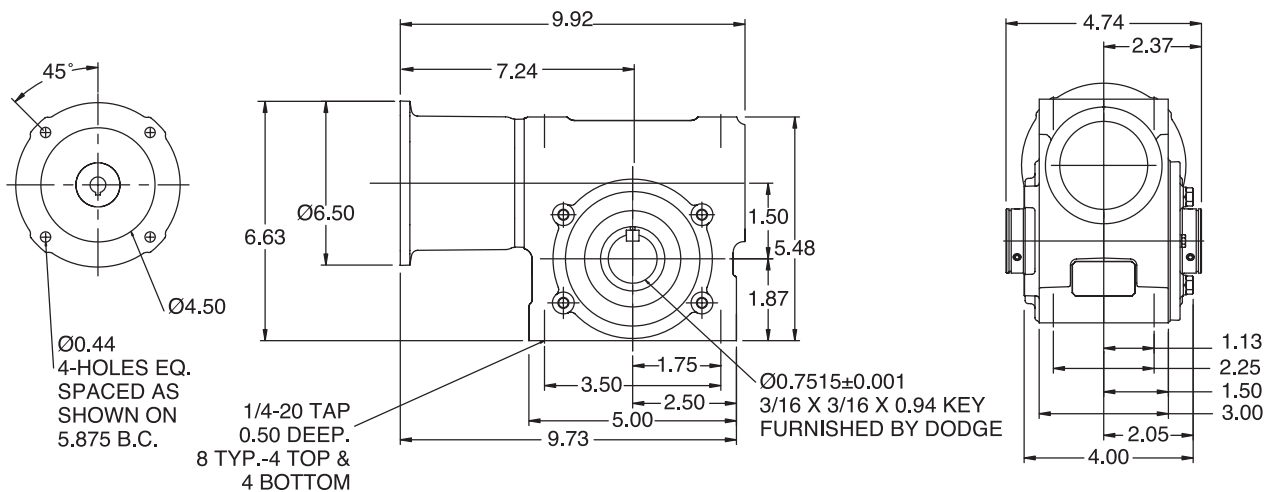
RATINGS/DIMENSIONS

TIGEAR-2 Reducers With 3-Piece Coupled Input - Size 15

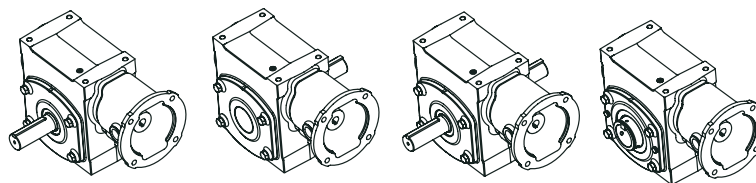
SOLID OUTPUT



HOLLOW OUTPUT



OUTPUT SHAFT CONFIGURATIONS



L

R

LR

H

FEATURES/BENEFITS PAGE G4-2	SPECIFICATION PAGE G4-8	NOMENCLATURE PAGE G4-9	RATINGS/DIMENSIONS PAGE G4-16
--------------------------------	----------------------------	---------------------------	----------------------------------



RATINGS/DIMENSIONS

TIGEAR-2 Reducers With Quill Input - Size 17

Ratio	Output RPM	Rating Data 1750 Input RPM		Part Number		Shaft Position
				56C	140TC	
5	350	Mechanical Input Hp	2.59	17Q05L56	17Q05L14	L
		Thermal Input Hp	3.97	17Q05R56	17Q05R14	R
		Output Torque (lb in.)	430	17Q05LR56	17Q05LR14	LR
		Mechanical Output Hp	2.39	17Q05H56	17Q05H14	HOLLOW
		Output OHL (lbs.)	1050			
7.5	233	Mechanical Input Hp	2.06	17Q07L56	17Q07L14	L
		Thermal Input Hp	3.42	17Q07R56	17Q07R14	R
		Output Torque (lb in.)	500	17Q07LR56	17Q07LR14	LR
		Mechanical Output Hp	1.88	17Q07H56	17Q07H14	HOLLOW
		Output OHL (lbs.)	1190			
10	175	Mechanical Input Hp	1.67	17Q10L56	17Q10L14	L
		Thermal Input Hp	2.76	17Q10R56	17Q10R14	R
		Output Torque (lb in.)	534	17Q10LR56	17Q10LR14	LR
		Mechanical Output Hp	1.48	17Q10H56	17Q10H14	HOLLOW
		Output OHL (lbs.)	1190			
15	117	Mechanical Input Hp	1.27	17Q15L56	17Q15L14	L
		Thermal Input Hp	2.01	17Q15R56	17Q15R14	R
		Output Torque (lb in.)	583	17Q15LR56	17Q15LR14	LR
		Mechanical Output Hp	1.08	17Q15H56	17Q15H14	HOLLOW
		Output OHL (lbs.)	1190			
20	88	Mechanical Input Hp	1.03	17Q20L56	17Q20L14	L
		Thermal Input Hp	1.58	17Q20R56	17Q20R14	R
		Output Torque (lb in.)	602	17Q20LR56	17Q20LR14	LR
		Mechanical Output Hp	0.84	17Q20H56	17Q20H14	HOLLOW
		Output OHL (lbs.)	1190			
25	70	Mechanical Input Hp	0.88	17Q25L56		L
		Thermal Input Hp	1.28	17Q25R56		R
		Output Torque (lb in.)	609	17Q25LR56		LR
		Mechanical Output Hp	0.68	17Q25H56		HOLLOW
		Output OHL (lbs.)	1190			
30	58	Mechanical Input Hp	0.76	17Q30L56		L
		Thermal Input Hp	1.20	17Q30R56		R
		Output Torque (lb in.)	615	17Q30LR56		LR
		Mechanical Output Hp	0.57	17Q30H56		HOLLOW
		Output OHL (lbs.)	1190			
40	44	Mechanical Input Hp	0.60	17Q40L56		L
		Thermal Input Hp	1.09	17Q40R56		R
		Output Torque (lb in.)	627	17Q40LR56		LR
		Mechanical Output Hp	0.43	17Q40H56		HOLLOW
		Output OHL (lbs.)	1190			
50	35	Mechanical Input Hp	0.51	17Q50L56		L
		Thermal Input Hp	0.90	17Q50R56		R
		Output Torque (lb in.)	608	17Q50LR56		LR
		Mechanical Output Hp	0.34	17Q50H56		HOLLOW
		Output OHL (lbs.)	1190			
60	29	Mechanical Input Hp	0.43	17Q60L56		L
		Thermal Input Hp	0.80	17Q60R56		R
		Output Torque (lb in.)	576	17Q60LR56		LR
		Mechanical Output Hp	0.27	17Q60H56		HOLLOW
		Output OHL (lbs.)	1190			

Note: Reducers are shipped without a mounting base. Order bolt-on base kit **17BASE** if required.
Refer to page G4-118 for hollow bore bushing selections

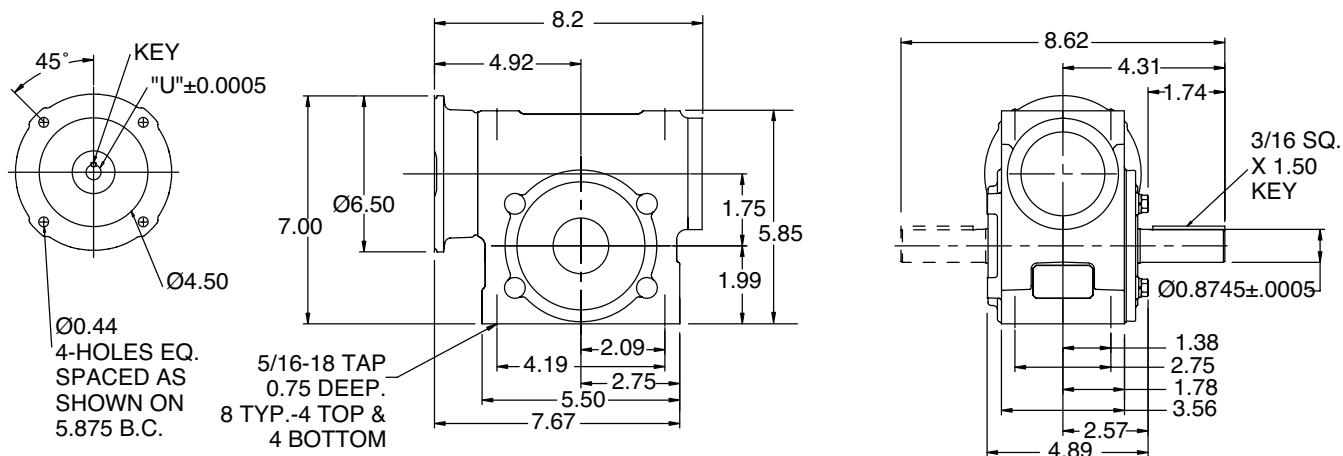
FEATURES/BENEFITS PAGE G4-2	SPECIFICATION PAGE G4-8	NOMENCLATURE PAGE G4-9	WASHDOWN PRODUCT PAGE G4-80
--------------------------------	----------------------------	---------------------------	--------------------------------



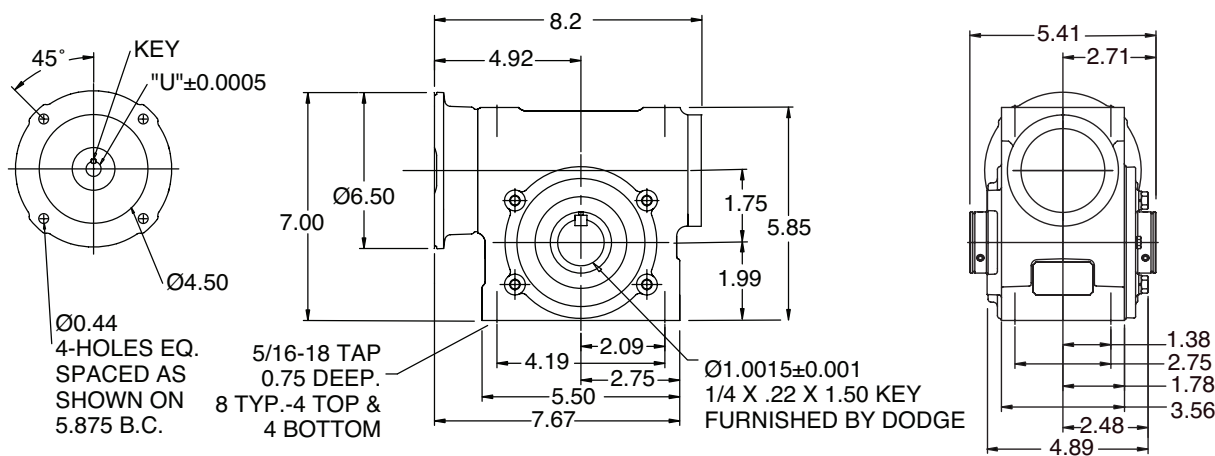
RATINGS/DIMENSIONS

TIGEAR-2 Reducers With Quill Input - Size 17

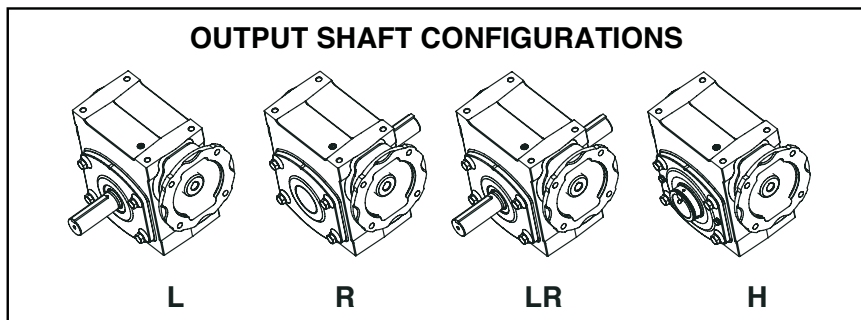
SOLID OUTPUT



HOLLOW OUTPUT



MOTOR FRAME	"U"	KEY
48Y 56C	.626	3/16 SQ. x 1.50 KEY
140TC 160ATC	.876	3/16 SQ x 1.50 KEY





RATINGS/DIMENSIONS

TIGEAR-2 Reducers With Separate Input - Size 17

Ratio	Output RPM	Rating Data 1750 Input RPM		Separate Reducer	Shaft Position	Optional Motor Adapter Kit	
						56C	140TC
5	350	Mechanical Input Hp	2.59	17S05L	L	1720MTR56	1720MTR14
		Thermal Input Hp	3.97	17S05R	R		
		Output Torque (lb in.)	430	17S05LR	LR		
		Mechanical Output Hp	2.39	17S05H	HOLLOW		
		Output OHL (lbs.)	1050				
7.5	233	Mechanical Input Hp	2.06	17S07L	L	1720MTR56	1720MTR14
		Thermal Input Hp	3.42	17S07R	R		
		Output Torque (lb in.)	500	17S07LR	LR		
		Mechanical Output Hp	1.88	17S07H	HOLLOW		
		Output OHL (lbs.)	1190				
10	175	Mechanical Input Hp	1.67	17S10L	L	1720MTR56	1720MTR14
		Thermal Input Hp	2.76	17S10R	R		
		Output Torque (lb in.)	534	17S10LR	LR		
		Mechanical Output Hp	1.48	17S10H	HOLLOW		
		Output OHL (lbs.)	1190				
15	117	Mechanical Input Hp	1.27	17S15L	L	1720MTR56	1720MTR14
		Thermal Input Hp	2.01	17S15R	R		
		Output Torque (lb in.)	583	17S15LR	LR		
		Mechanical Output Hp	1.08	17S15H	HOLLOW		
		Output OHL (lbs.)	1190				
20	88	Mechanical Input Hp	1.03	17S20L	L	1720MTR56	1720MTR14
		Thermal Input Hp	1.58	17S20R	R		
		Output Torque (lb in.)	602	17S20LR	LR		
		Mechanical Output Hp	0.84	17S20H	HOLLOW		
		Output OHL (lbs.)	1190				
25	70	Mechanical Input Hp	0.88	17S25L	L	1720MTR56	
		Thermal Input Hp	1.28	17S25R	R		
		Output Torque (lb in.)	609	17S25LR	LR		
		Mechanical Output Hp	0.68	17S25H	HOLLOW		
		Output OHL (lbs.)	1190				
30	58	Mechanical Input Hp	0.76	17S30L	L	1720MTR56	
		Thermal Input Hp	1.20	17S30R	R		
		Output Torque (lb in.)	615	17S30LR	LR		
		Mechanical Output Hp	0.57	17S30H	HOLLOW		
		Output OHL (lbs.)	1190				
40	44	Mechanical Input Hp	0.60	17S40L	L	1720MTR56	
		Thermal Input Hp	1.09	17S40R	R		
		Output Torque (lb in.)	627	17S40LR	LR		
		Mechanical Output Hp	0.43	17S40H	HOLLOW		
		Output OHL (lbs.)	1190				
50	35	Mechanical Input Hp	0.51	17S50L	L	1720MTR56	
		Thermal Input Hp	0.90	17S50R	R		
		Output Torque (lb in.)	608	17S50LR	LR		
		Mechanical Output Hp	0.34	17S50H	HOLLOW		
		Output OHL (lbs.)	1190				
60	29	Mechanical Input Hp	0.43	17S60L	L	1720MTR56	
		Thermal Input Hp	0.80	17S60R	R		
		Output Torque (lb in.)	576	17S60LR	LR		
		Mechanical Output Hp	0.27	17S60H	HOLLOW		
		Output OHL (lbs.)	1190				
All Ratios		Input OHL (lbs)	140	One diameter from seal surface			

Note: TIGEAR-2 separate reducers cannot be used with the old Adaptable TIGEAR motor adapter kits. Refer to page G4-118 for hollow bore bushing selections

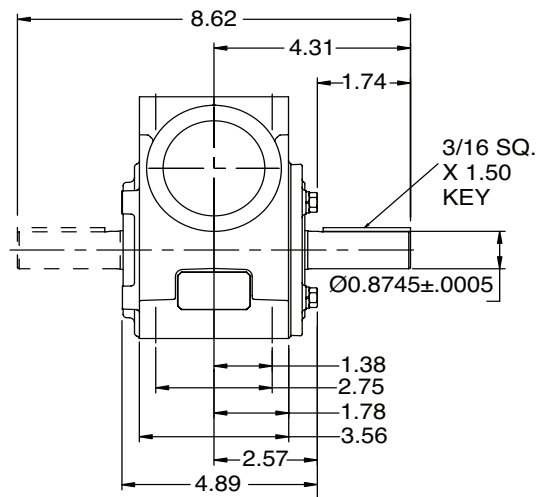
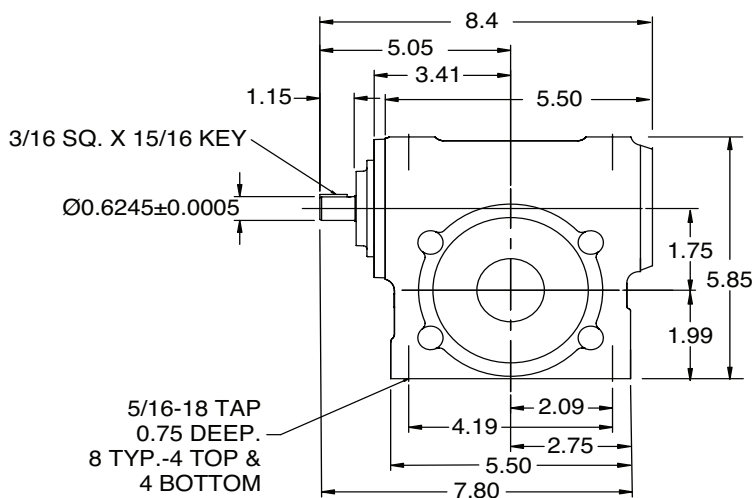
FEATURES/BENEFITS PAGE G4-2	SPECIFICATION PAGE G4-8	NOMENCLATURE PAGE G4-9	RATINGS/DIMENSIONS PAGE G4-16
--------------------------------	----------------------------	---------------------------	----------------------------------



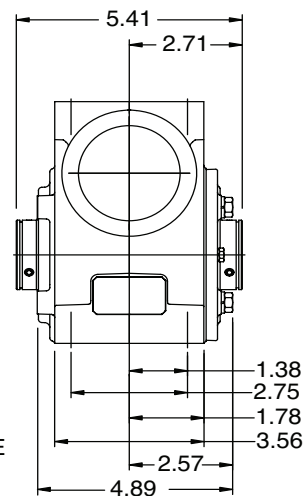
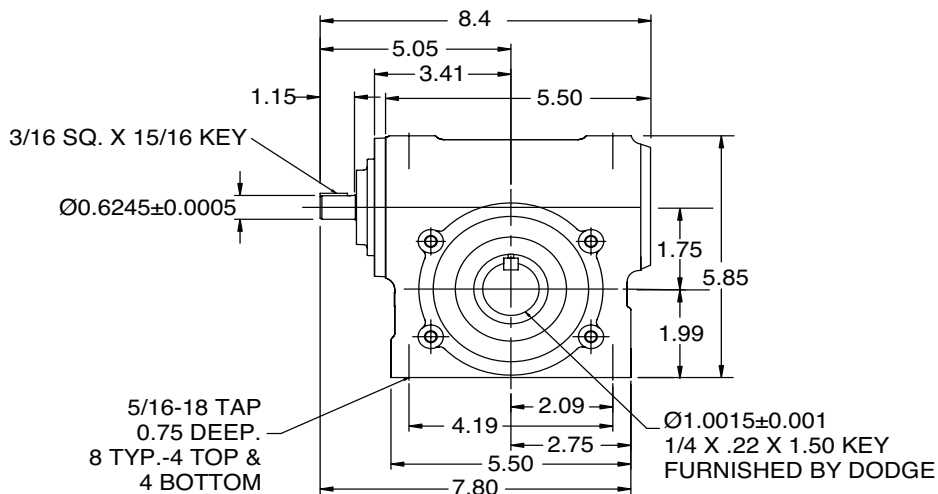
RATINGS/DIMENSIONS

TIGEAR-2 Reducers With Separate Input - Size 17

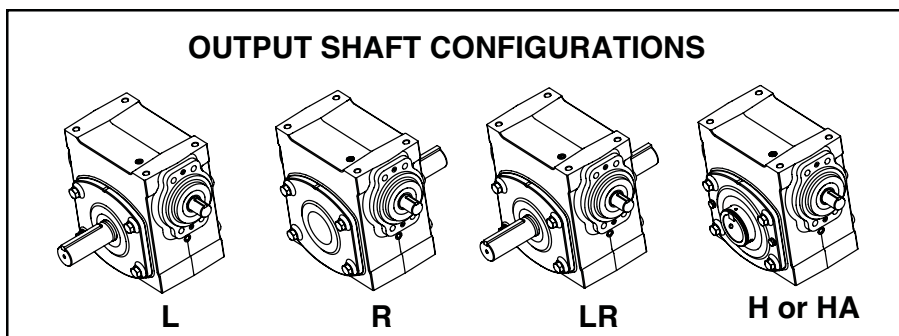
SOLID OUTPUT



HOLLOW OUTPUT



OUTPUT SHAFT CONFIGURATIONS



FEATURES/BENEFITS PAGE G4-2	SPECIFICATION PAGE G4-8	NOMENCLATURE PAGE G4-9	RATINGS/DIMENSIONS PAGE G4-16
--------------------------------	----------------------------	---------------------------	----------------------------------



RATINGS/DIMENSIONS

TIGEAR-2 Reducers With 3-Piece Coupled Input - Size 17

3-Piece Coupled units include a Separate reducer, 3-piece coupling and motor adapter housing assembled together.

These assemblies are normally "made to order" with a 5 day standard lead time.

Ratio	Output RPM	Rating Data 1750 Input RPM		Part Number		Shaft Position
				56C	140TC	
5	350	Mechanical Input Hp	2.59	17A05L56	17A05L14	L
		Thermal Input Hp	3.97	17A05R56	17A05R14	R
		Output Torque (lb in.)	430	17A05LR56	17A05LR14	LR
		Mechanical Output Hp	2.39	17A05H56	17A05H14	HOLLOW
		Output OHL (lbs.)	1050			
7.5	233	Mechanical Input Hp	2.06	17A07L56	17A07L14	L
		Thermal Input Hp	3.42	17A07R56	17A07R14	R
		Output Torque (lb in.)	500	17A07LR56	17A07LR14	LR
		Mechanical Output Hp	1.88	17A07H56	17A07H14	HOLLOW
		Output OHL (lbs.)	1190			
10	175	Mechanical Input Hp	1.67	17A10L56	17A10L14	L
		Thermal Input Hp	2.76	17A10R56	17A10R14	R
		Output Torque (lb in.)	534	17A10LR56	17A10LR14	LR
		Mechanical Output Hp	1.48	17A10H56	17A10H14	HOLLOW
		Output OHL (lbs.)	1190			
15	117	Mechanical Input Hp	1.27	17A15L56	17A15L14	L
		Thermal Input Hp	2.01	17A15R56	17A15R14	R
		Output Torque (lb in.)	583	17A15LR56	17A15LR14	LR
		Mechanical Output Hp	1.08	17A15H56	17A15H14	HOLLOW
		Output OHL (lbs.)	1190			
20	88	Mechanical Input Hp	1.03	17A20L56	17A20L14	L
		Thermal Input Hp	1.58	17A20R56	17A20R14	R
		Output Torque (lb in.)	602	17A20LR56	17A20LR14	LR
		Mechanical Output Hp	0.84	17A20H56	17A20H14	HOLLOW
		Output OHL (lbs.)	1190			
25	70	Mechanical Input Hp	0.88	17A25L56		L
		Thermal Input Hp	1.28	17A25R56		R
		Output Torque (lb in.)	609	17A25LR56		LR
		Mechanical Output Hp	0.68	17A25H56		HOLLOW
		Output OHL (lbs.)	1190			
30	58	Mechanical Input Hp	0.76	17A30L56		L
		Thermal Input Hp	1.20	17A30R56		R
		Output Torque (lb in.)	615	17A30LR56		LR
		Mechanical Output Hp	0.57	17A30H56		HOLLOW
		Output OHL (lbs.)	1190			
40	44	Mechanical Input Hp	0.60	17A40L56		L
		Thermal Input Hp	1.09	17A40R56		R
		Output Torque (lb in.)	627	17A40LR56		LR
		Mechanical Output Hp	0.43	17A40H56		HOLLOW
		Output OHL (lbs.)	1190			
50	35	Mechanical Input Hp	0.51	17A50L56		L
		Thermal Input Hp	0.90	17A50R56		R
		Output Torque (lb in.)	608	17A50LR56		LR
		Mechanical Output Hp	0.34	17A50H56		HOLLOW
		Output OHL (lbs.)	1190			
60	29	Mechanical Input Hp	0.43	17A60L56		L
		Thermal Input Hp	0.80	17A60R56		R
		Output Torque (lb in.)	576	17A60LR56		LR
		Mechanical Output Hp	0.27	17A60H56		HOLLOW
		Output OHL (lbs.)	1190			

Note: Reducers are shipped without a mounting base. Order bolt-on base kit **17BASE** if required.

Refer to page G4-118 for hollow bore bushing selections

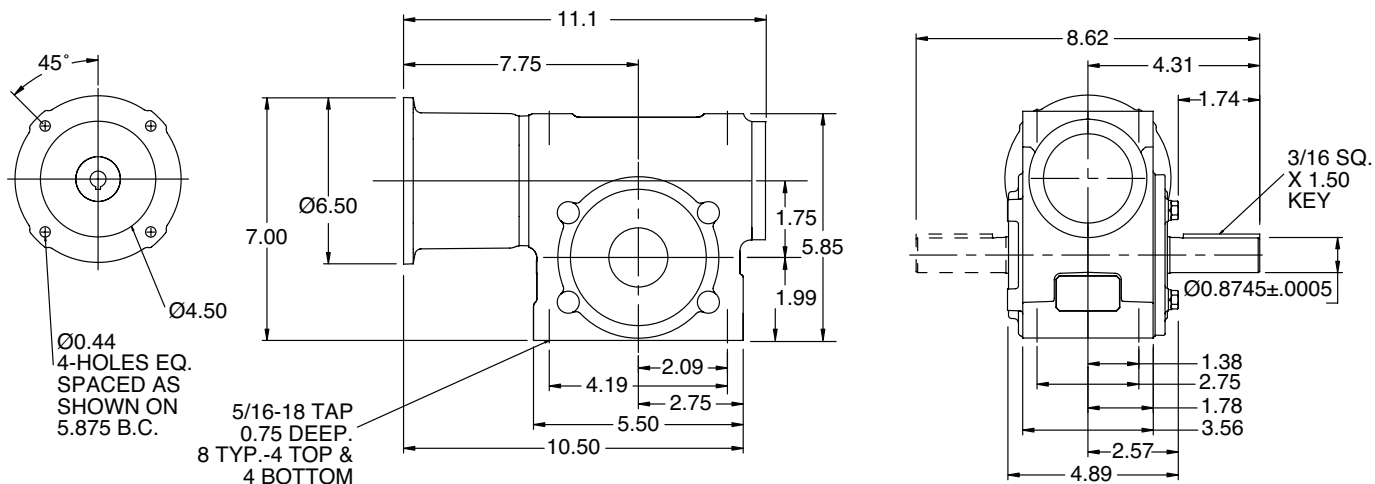
FEATURES/BENEFITS PAGE G4-2	SPECIFICATION PAGE G4-8	NOMENCLATURE PAGE G4-9	RATINGS/DIMENSIONS PAGE G4-16
--------------------------------	----------------------------	---------------------------	----------------------------------



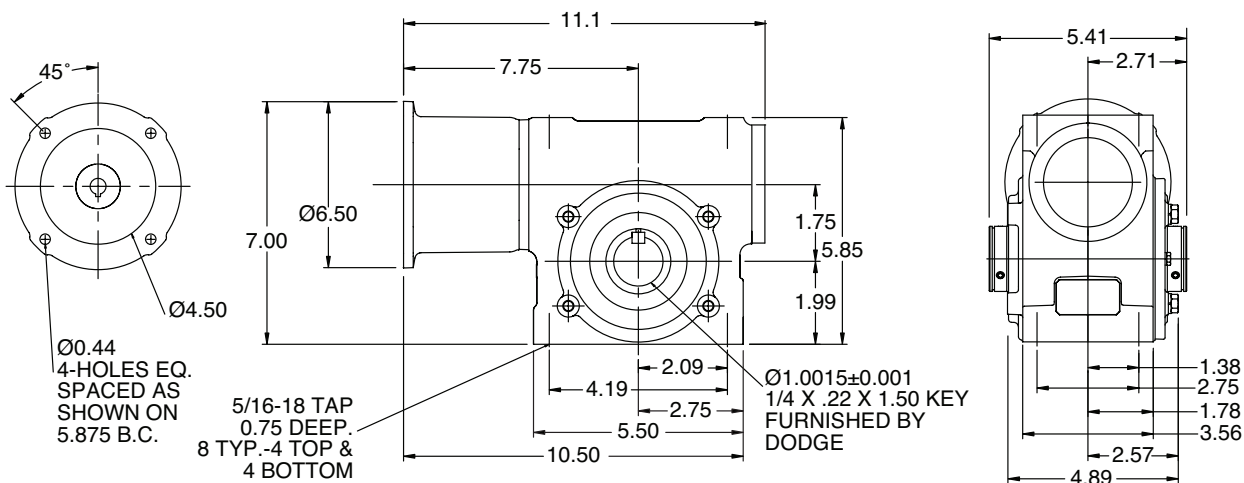
RATINGS/DIMENSIONS

TIGEAR-2 Reducers With 3-Piece Coupled Input - Size 17

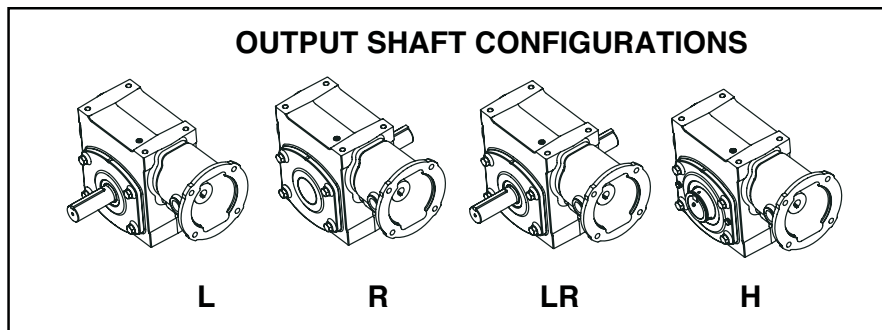
SOLID OUTPUT



HOLLOW OUTPUT



OUTPUT SHAFT CONFIGURATIONS





RATINGS/DIMENSIONS

TIGEAR-2 Reducers With Quill Input - Size 176 SIZE 17 WITH 1: EXTENDED LENGTH Output SHAFT

Motor Frame	Shaft Position	Ratio									
		5	7.5	10	15	20	25	30	40	50	60
56C	L	176Q05L56	176Q07L56	176Q10L56	176Q15L56	176Q20L56	176Q25L56	176Q30L56	176Q40L56	176Q50L56	176Q60L56
	R	176Q05R56	176Q07R56	176Q10R56	176Q15R56	176Q20R56	176Q25R56	176Q30R56	176Q40R56	176Q50R56	176Q60R56
140TC	L	176Q05L14	176Q07L14	176Q10L14	176Q15L14	176Q20L14					
	R	176Q05R14	176Q07R14	176Q10R14	176Q15R14	176Q20R14					

Note: Reducers are shipped without a mounting base. Order bolt-on base kit **17BASE** if required

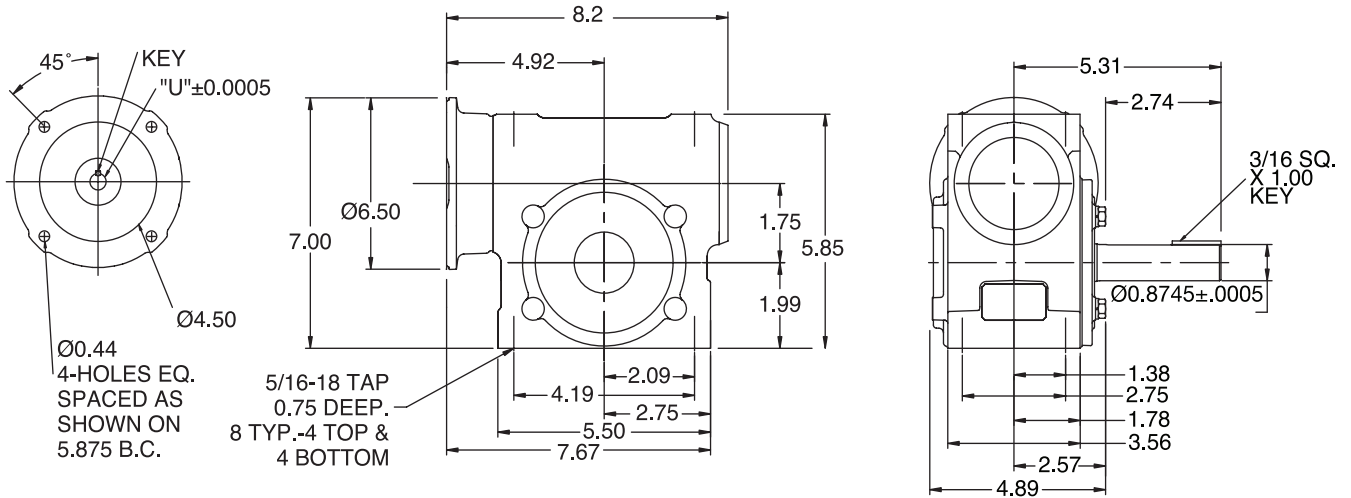
FEATURES/BENEFITS PAGE G4-2	SPECIFICATION PAGE G4-8	NOMENCLATURE PAGE G4-9	WASHDOWN PRODUCT PAGE G4-80
--------------------------------	----------------------------	---------------------------	--------------------------------



RATINGS/DIMENSIONS

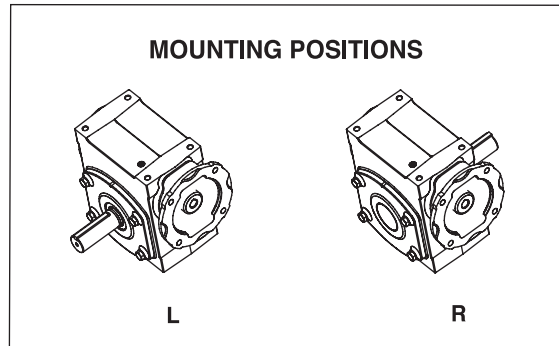
TIGEAR-2 Reducers With Quill Input - Size 176 SIZE 17 WITH 1: EXTENDED LENGTH Output SHAFT

SOLID OUTPUT



MOTOR FRAME	"U"	KEY
48Y 56C	.626	3/16 SQ. x 1.50 KEY
140TC 160ATC	.876	3/16 SQ x 1.50 KEY

MOUNTING POSITIONS





RATINGS/DIMENSIONS

TIGEAR-2 Reducers With Quill Input - Size 20

Ratio	Output RPM	Rating Data 1750 Input RPM		Part Number		Shaft Position
				56C	140TC	
4	438	Available Upon Request				
		Mechanical Input Hp	3.47	20Q05L56	20Q05L14	L
5	350	Thermal Input Hp	4.9	20Q05R56	20Q05R14	R
		Output Torque (lb in.)	581	20Q05LR56	20Q05LR14	LR
		Mechanical Output Hp	3.23	20Q05H56	20Q05H14	HOLLOW
		Output OHL (lbs.)	1380	20Q05HA56	20Q05HA14	HOLLOW ALT.
		Mechanical Input Hp	2.78	20Q07L56	20Q07L14	L
7.5	233	Thermal Input Hp	4.15	20Q07R56	20Q07R14	R
		Output Torque (lb in.)	678	20Q07LR56	20Q07LR14	LR
		Mechanical Output Hp	2.54	20Q07H56	20Q07H14	HOLLOW
		Output OHL (lbs.)	1560	20Q07HA56	20Q07HA14	HOLLOW ALT.
		Mechanical Input Hp	2.25	20Q10L56	20Q10L14	L
10	175	Thermal Input Hp	3.25	20Q10R56	20Q10R14	R
		Output Torque (lb in.)	725	20Q10LR56	20Q10LR14	LR
		Mechanical Output Hp	2.01	20Q10H56	20Q10H14	HOLLOW
		Output OHL (lbs.)	1560	20Q10HA56	20Q10HA14	HOLLOW ALT.
		Mechanical Input Hp	1.9	20Q12L56	20Q12L14	L
12.7	138	Thermal Input Hp	2.83	20Q12R56	20Q12R14	R
		Output Torque (lb in.)	770	20Q12LR56	20Q12LR14	LR
		Mechanical Output Hp	1.69	20Q12H56	20Q12H14	HOLLOW
		Output OHL (lbs.)	1560	20Q12HA56	20Q12HA14	HOLLOW ALT.
		Mechanical Input Hp	1.69	20Q15L56	20Q15L14	L
15	117	Thermal Input Hp	2.52	20Q15R56	20Q15R14	R
		Output Torque (lb in.)	790	20Q15LR56	20Q15LR14	LR
		Mechanical Output Hp	1.46	20Q15H56	20Q15H14	HOLLOW
		Output OHL (lbs.)	1560	20Q15HA56	20Q15HA14	HOLLOW ALT.
		Mechanical Input Hp	1.46	20Q18L56	20Q18L14	L
18	97	Thermal Input Hp	2.12	20Q18R56	20Q18R14	R
		Output Torque (lb in.)	795	20Q18LR56	20Q18LR14	LR
		Mechanical Output Hp	1.23	20Q18H56	20Q18H14	HOLLOW
		Output OHL (lbs.)	1560	20Q18HA56	20Q18HA14	HOLLOW ALT.
		Mechanical Input Hp	1.34	20Q20L56	20Q20L14	L
20	88	Thermal Input Hp	1.99	20Q20R56	20Q20R14	R
		Output Torque (lb in.)	796	20Q20LR56	20Q20LR14	LR
		Mechanical Output Hp	1.11	20Q20H56	20Q20H14	HOLLOW
		Output OHL (lbs.)	1560	20Q20HA56	20Q20HA14	HOLLOW ALT.
		Mechanical Input Hp	1.11	20Q25L56	20Q25L14	L
25	70	Thermal Input Hp	1.59	20Q25R56	20Q25R14	R
		Output Torque (lb in.)	788	20Q25LR56	20Q25LR14	LR
		Mechanical Output Hp	0.88	20Q25H56	20Q25H14	HOLLOW
		Output OHL (lbs.)	1560	20Q25HA56	20Q25HA14	HOLLOW ALT.
		Mechanical Input Hp	0.96	20Q30L56		L
30	58	Thermal Input Hp	1.49	20Q30R56		R
		Output Torque (lb in.)	802	20Q30LR56		LR
		Mechanical Output Hp	0.74	20Q30H56		HOLLOW
		Output OHL (lbs.)	1560	20Q30HA56		HOLLOW ALT.
		Mechanical Input Hp	0.76	20Q40L56		L
40	44	Thermal Input Hp	1.29	20Q40R56		R
		Output Torque (lb in.)	801	20Q40LR56		LR
		Mechanical Output Hp	0.56	20Q40H56		HOLLOW
		Output OHL (lbs.)	1560	20Q40HA56		HOLLOW ALT.
		Mechanical Input Hp	0.64	20Q50L56		L
50	35	Thermal Input Hp	1.09	20Q50R56		R
		Output Torque (lb in.)	787	20Q50LR56		LR
		Mechanical Output Hp	0.44	20Q50H56		HOLLOW
		Output OHL (lbs.)	1560	20Q50HA56		HOLLOW ALT.
		Mechanical Input Hp	0.56	20Q60L56		L
60	29	Thermal Input Hp	0.96	20Q60R56		R
		Output Torque (lb in.)	767	20Q60LR56		LR
		Mechanical Output Hp	0.36	20Q60H56		HOLLOW
		Output OHL (lbs.)	1560	20Q60HA56		HOLLOW ALT.

Note: Reducers are shipped without a mounting base. Order bolt-on base kit 20BASE if required.

Refer to page G4-118 for hollow bore bushing selections

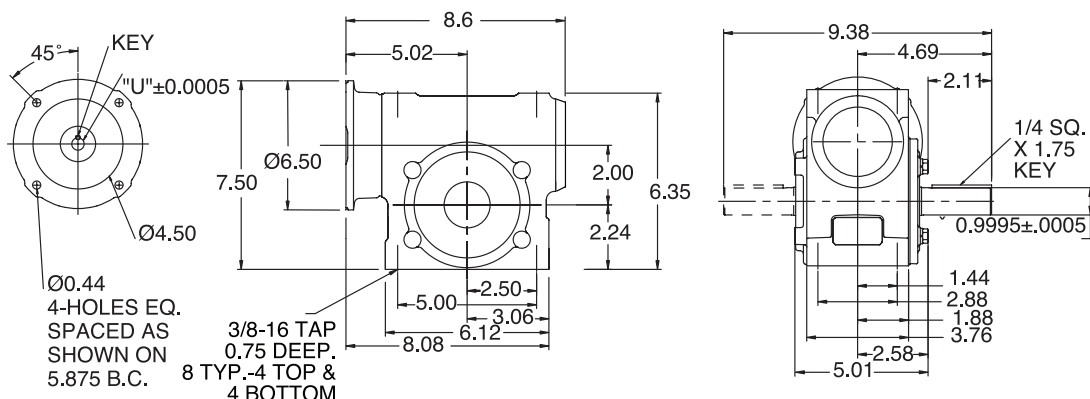
FEATURES/BENEFITS PAGE G4-2	SPECIFICATION PAGE G4-8	NOMENCLATURE PAGE G4-9	WASHDOWN PRODUCT PAGE G4-80
--------------------------------	----------------------------	---------------------------	--------------------------------



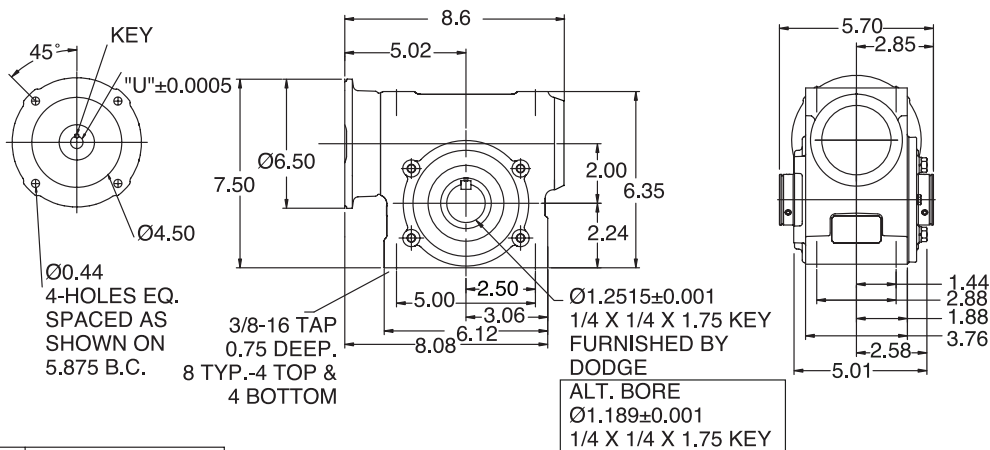
RATINGS/DIMENSIONS

TIGEAR-2 Reducers With Quill Input - Size 20

SOLID OUTPUT

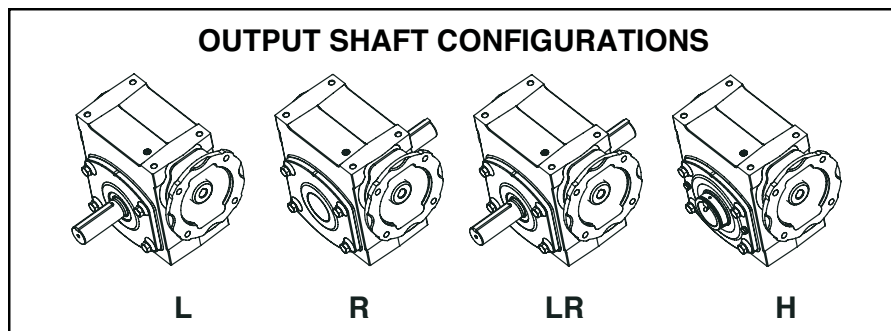


HOLLOW OUTPUT



MOTOR FRAME	"U"	KEY
48Y 56C	.626	3/16 SQ. x 1.50 KEY
140TC 160ATC	.876	3/16 SQ x 1.50 KEY

OUTPUT SHAFT CONFIGURATIONS





RATINGS/DIMENSIONS

TIGEAR-2 Reducers With Separate Input - Size 20

Ratio	Output RPM	Rating Data 1750 Input RPM		Separate Reducer	Shaft Position	Optional Motor Adapter Kit	
						56C	140TC
4	438	Available Upon Request					
5	350	Mechanical Input Hp	3.47	20S05L	L	1720MTR56	1720MTR14
		Thermal Input Hp	4.9	20S05R	R		
		Output Torque (lb in.)	581	20S05LR	LR		
		Mechanical Output Hp	3.23	20S05H	HOLLOW		
		Output OHL (lbs.)	1380	20S05HA	HOLLOW ALT.		
7.5	233	Mechanical Input Hp	2.78	20S07L	L	1720MTR56	1720MTR14
		Thermal Input Hp	4.15	20S07R	R		
		Output Torque (lb in.)	678	20S07LR	LR		
		Mechanical Output Hp	2.54	20S07H	HOLLOW		
		Output OHL (lbs.)	1560	20S07HA	HOLLOW ALT.		
10	175	Mechanical Input Hp	2.25	20S10L	L	1720MTR56	1720MTR14
		Thermal Input Hp	3.25	20S10R	R		
		Output Torque (lb in.)	725	20S10LR	LR		
		Mechanical Output Hp	2.01	20S10H	HOLLOW		
		Output OHL (lbs.)	1560	20S10HA	HOLLOW ALT.		
12.7	138	Mechanical Input Hp	1.9	20S12L	L	1720MTR56	1720MTR14
		Thermal Input Hp	2.83	20S12R	R		
		Output Torque (lb in.)	770	20S12LR	LR		
		Mechanical Output Hp	1.69	20S12H	HOLLOW		
		Output OHL (lbs.)	1560	20S12HA	HOLLOW ALT.		
15	117	Mechanical Input Hp	1.69	20S15L	L	1720MTR56	1720MTR14
		Thermal Input Hp	2.52	20S15R	R		
		Output Torque (lb in.)	790	20S15LR	LR		
		Mechanical Output Hp	1.46	20S15H	HOLLOW		
		Output OHL (lbs.)	1560	20S15HA	HOLLOW ALT.		
18	97	Mechanical Input Hp	1.46	20S18L	L	1720MTR56	1720MTR14
		Thermal Input Hp	2.12	20S18R	R		
		Output Torque (lb in.)	795	20S18LR	LR		
		Mechanical Output Hp	1.23	20S18H	HOLLOW		
		Output OHL (lbs.)	1560	20S18HA	HOLLOW ALT.		
20	88	Mechanical Input Hp	1.34	20S20L	L	1720MTR56	1720MTR14
		Thermal Input Hp	1.99	20S20R	R		
		Output Torque (lb in.)	796	20S20LR	LR		
		Mechanical Output Hp	1.11	20S20H	HOLLOW		
		Output OHL (lbs.)	1560	20S20HA	HOLLOW ALT.		
25	70	Mechanical Input Hp	1.11	20S25L	L	1720MTR56	1720MTR14
		Thermal Input Hp	1.59	20S25R	R		
		Output Torque (lb in.)	788	20S25LR	LR		
		Mechanical Output Hp	0.88	20S25H	HOLLOW		
		Output OHL (lbs.)	1560	20S25HA	HOLLOW ALT.		
30	58	Mechanical Input Hp	0.96	20S30L	L	1720MTR56	
		Thermal Input Hp	1.49	20S30R	R		
		Output Torque (lb in.)	802	20S30LR	LR		
		Mechanical Output Hp	0.74	20S30H	HOLLOW		
		Output OHL (lbs.)	1560	20S30HA	HOLLOW ALT.		
40	44	Mechanical Input Hp	0.76	20S40L	L	1720MTR56	
		Thermal Input Hp	1.29	20S40R	R		
		Output Torque (lb in.)	801	20S40LR	LR		
		Mechanical Output Hp	0.56	20S40H	HOLLOW		
		Output OHL (lbs.)	1560	20S40HA	HOLLOW ALT.		
50	35	Mechanical Input Hp	0.64	20S50L	L	1720MTR56	
		Thermal Input Hp	1.09	20S50R	R		
		Output Torque (lb in.)	787	20S50LR	LR		
		Mechanical Output Hp	0.44	20S50H	HOLLOW		
		Output OHL (lbs.)	1560	20S50HA	HOLLOW ALT.		
60	29	Mechanical Input Hp	0.56	20S60L	L	1720MTR56	
		Thermal Input Hp	0.96	20S60R	R		
		Output Torque (lb in.)	767	20S60LR	LR		
		Mechanical Output Hp	0.36	20S60H	HOLLOW		
		Output OHL (lbs.)	1560	20S60HA	HOLLOW ALT.		
All Ratios		Input OHL (lbs)	200	One diameter from seal surface			

Note: TIGEAR-2 separate reducers cannot be used with the old Adaptable TIGEAR motor adapter kits. Refer to page G4-118 for hollow bore bushing selections

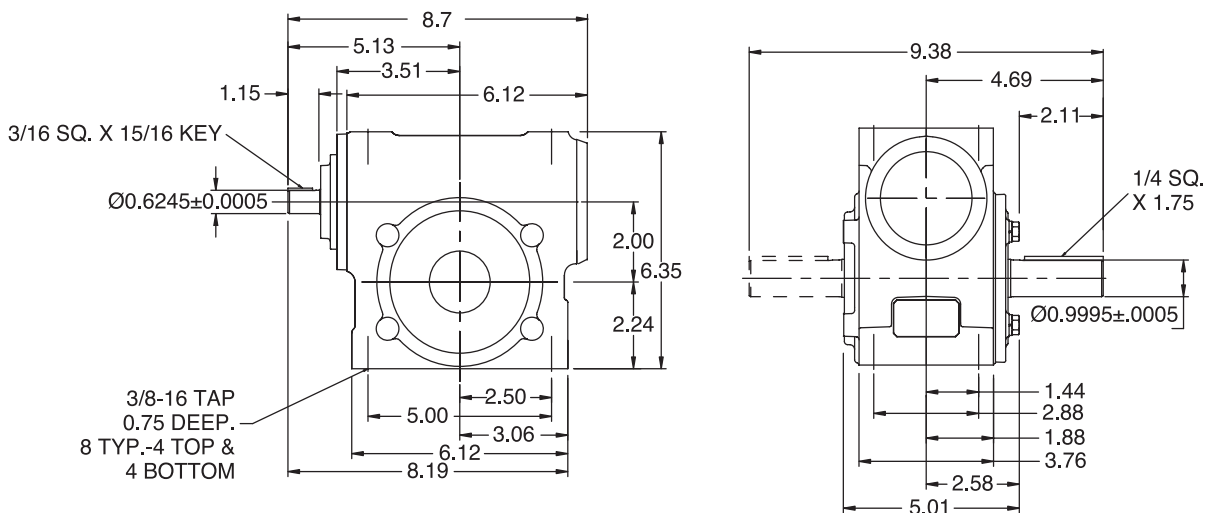
FEATURES/BENEFITS PAGE G4-2	SPECIFICATION PAGE G4-8	NOMENCLATURE PAGE G4-9	RATINGS/DIMENSIONS PAGE G4-16
--------------------------------	----------------------------	---------------------------	----------------------------------



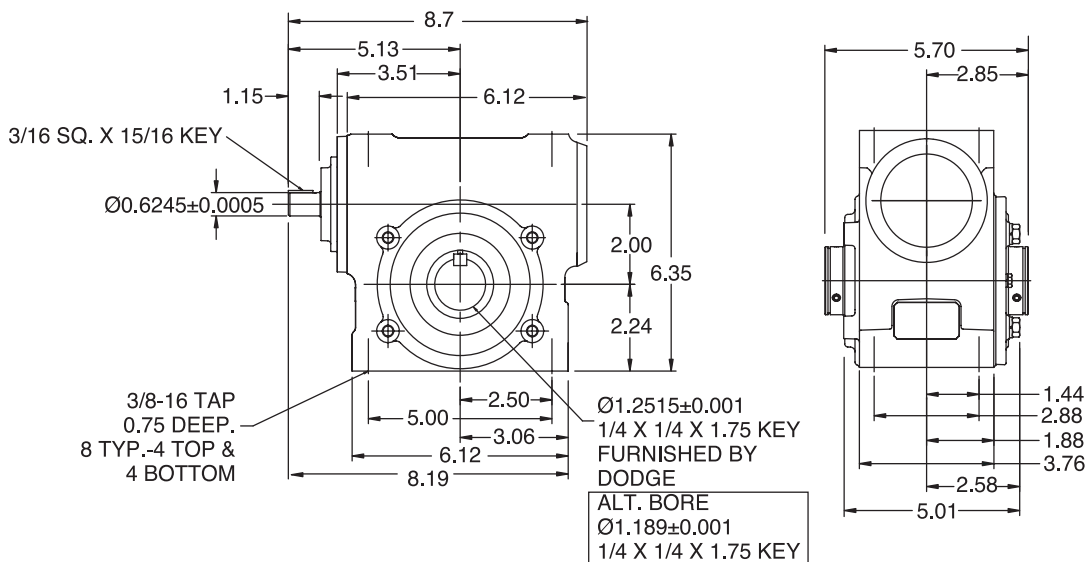
RATINGS/DIMENSIONS

TIGEAR-2 Reducers With Separate Input - Size 20

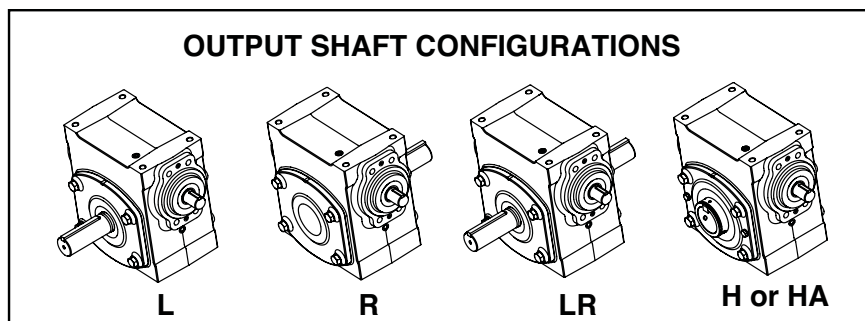
SOLID OUTPUT



HOLLOW OUTPUT



OUTPUT SHAFT CONFIGURATIONS





RATINGS/DIMENSIONS

TIGEAR-2 Reducers With 3-Piece Coupled Input - Size 20

3-Piece Coupled units include a Separate reducer, 3-piece coupling and motor adapter housing assembled together.

These assemblies are normally "made to order" with a 5 day standard lead time.

Ratio	Output RPM	Rating Data 1750 Input RPM		Part Number		Shaft Position
				56C	140TC	
4	438	Available Upon Request				
		Mechanical Input Hp	3.47	20A05L56	20A05L14	L
5	350	Thermal Input Hp	4.90	20A05R56	20A05R14	R
		Output Torque (lb in.)	581	20A05LR56	20A05LR14	LR
		Mechanical Output Hp	3.23	20A05H56	20A05H14	HOLLOW
		Output OHL (lbs.)	1380	20A05HA56	20A05HA14	HOLLOW ALT.
		Mechanical Input Hp	2.78	20A07L56	20A07L14	L
7.5	233	Thermal Input Hp	4.15	20A07R56	20A07R14	R
		Output Torque (lb in.)	678	20A07LR56	20A07LR14	LR
		Mechanical Output Hp	2.54	20A07H56	20A07H14	HOLLOW
		Output OHL (lbs.)	1560	20A07HA56	20A07HA14	HOLLOW ALT.
		Mechanical Input Hp	2.25	20A10L56	20A10L14	L
10	175	Thermal Input Hp	3.25	20A10R56	20A10R14	R
		Output Torque (lb in.)	725	20A10LR56	20A10LR14	LR
		Mechanical Output Hp	2.01	20A10H56	20A10H14	HOLLOW
		Output OHL (lbs.)	1560	20A10HA56	20A10HA14	HOLLOW ALT.
		Mechanical Input Hp	1.90	20A12L56	20A12L14	L
12.7	138	Thermal Input Hp	2.83	20A12R56	20A12R14	R
		Output Torque (lb in.)	770	20A12LR56	20A12LR14	LR
		Mechanical Output Hp	1.69	20A12H56	20A12H14	HOLLOW
		Output OHL (lbs.)	1560	20A12HA56	20A12HA14	HOLLOW ALT.
		Mechanical Input Hp	1.69	20A15L56	20A15L14	L
15	117	Thermal Input Hp	2.52	20A15R56	20A15R14	R
		Output Torque (lb in.)	790	20A15LR56	20A15LR14	LR
		Mechanical Output Hp	1.46	20A15H56	20A15H14	HOLLOW
		Output OHL (lbs.)	1560	20A15HA56	20A15HA14	HOLLOW ALT.
		Mechanical Input Hp	1.46	20A18L56	20A18L14	L
18	97	Thermal Input Hp	2.12	20A18R56	20A18R14	R
		Output Torque (lb in.)	795	20A18LR56	20A18LR14	LR
		Mechanical Output Hp	1.23	20A18H56	20A18H14	HOLLOW
		Output OHL (lbs.)	1560	20A18HA56	20A18HA14	HOLLOW ALT.
		Mechanical Input Hp	1.34	20A20L56	20A20L14	L
20	88	Thermal Input Hp	1.99	20A20R56	20A20R14	R
		Output Torque (lb in.)	796	20A20LR56	20A20LR14	LR
		Mechanical Output Hp	1.11	20A20H56	20A20H14	HOLLOW
		Output OHL (lbs.)	1560	20A20HA56	20A20HA14	HOLLOW ALT.
		Mechanical Input Hp	1.11	20A25L56	20A25L14	L
25	70	Thermal Input Hp	1.59	20A25R56	20A25R14	R
		Output Torque (lb in.)	788	20A25LR56	20A25LR14	LR
		Mechanical Output Hp	0.88	20A25H56	20A25H14	HOLLOW
		Output OHL (lbs.)	1560	20A25HA56	20A25HA14	HOLLOW ALT.
		Mechanical Input Hp	0.96	20A30L56		L
30	58	Thermal Input Hp	1.49	20A30R56		R
		Output Torque (lb in.)	802	20A30LR56		LR
		Mechanical Output Hp	0.74	20A30H56		HOLLOW
		Output OHL (lbs.)	1560	20A30HA56		HOLLOW ALT.
		Mechanical Input Hp	0.76	20A40L56		L
40	44	Thermal Input Hp	1.29	20A40R56		R
		Output Torque (lb in.)	801	20A40LR56		LR
		Mechanical Output Hp	0.56	20A40H56		HOLLOW
		Output OHL (lbs.)	1560	20A40HA56		HOLLOW ALT.
		Mechanical Input Hp	0.64	20A50L56		L
50	35	Thermal Input Hp	1.09	20A50R56		R
		Output Torque (lb in.)	787	20A50LR56		LR
		Mechanical Output Hp	0.44	20A50H56		HOLLOW
		Output OHL (lbs.)	1560	20A50HA56		HOLLOW ALT.
		Mechanical Input Hp	0.56	20A60L56		L
60	29	Thermal Input Hp	0.96	20A60R56		R
		Output Torque (lb in.)	767	20A60LR56		LR
		Mechanical Output Hp	0.36	20A60H56		HOLLOW
		Output OHL (lbs.)	1560	20A60HA56		HOLLOW ALT.

Note: Reducers are shipped without a mounting base. Order bolt-on base kit **20BASE** if required.

Refer to page G4-118 for hollow bore bushing selections

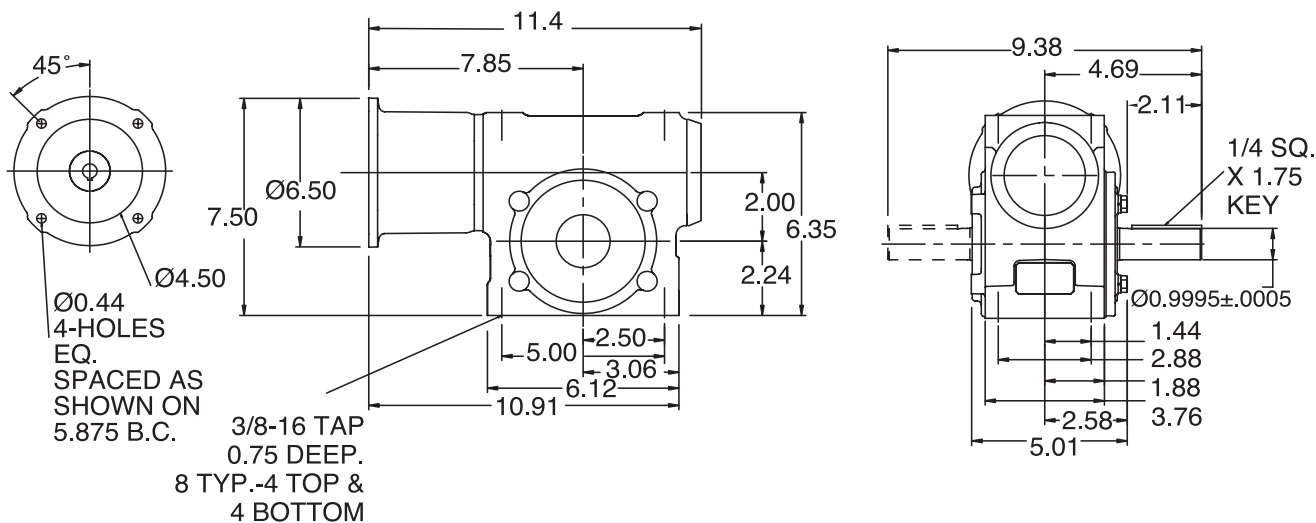
FEATURES/BENEFITS PAGE G4-2	SPECIFICATION PAGE G4-8	NOMENCLATURE PAGE G4-9	RATINGS/DIMENSIONS PAGE G4-16
--------------------------------	----------------------------	---------------------------	----------------------------------



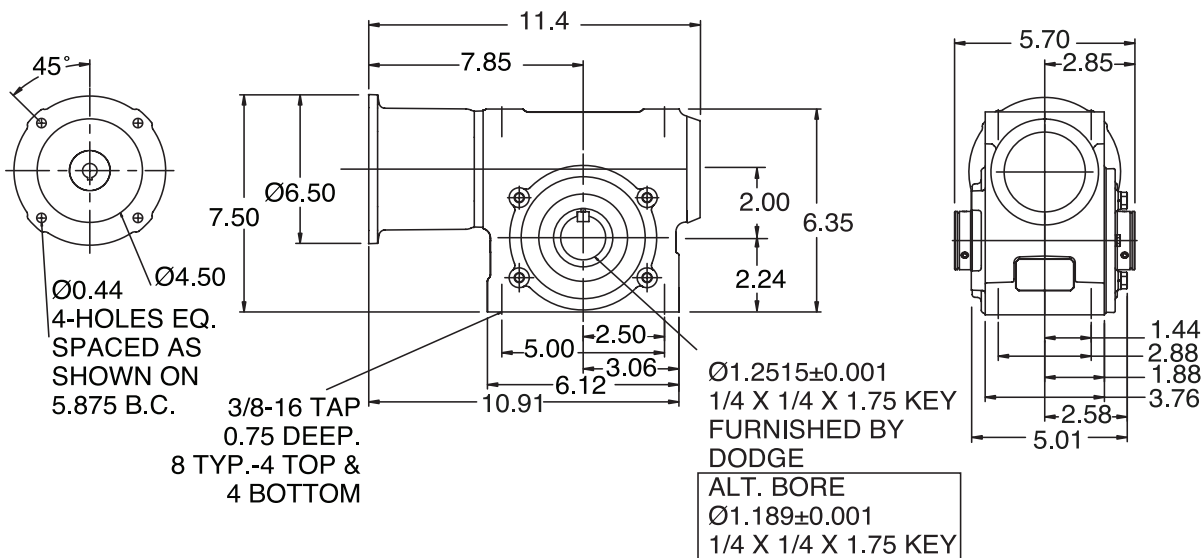
RATINGS/DIMENSIONS

TIGEAR-2 Reducers With 3-Piece Coupled Input - Size 20

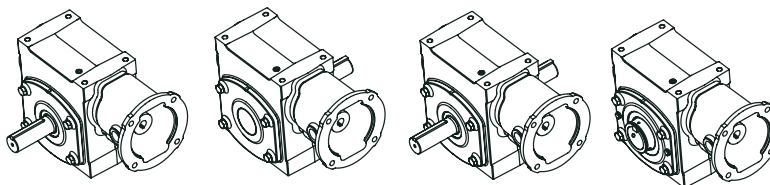
SOLID OUTPUT



HOLLOW OUTPUT



OUTPUT SHAFT CONFIGURATIONS



L

R

LR

H



RATINGS/DIMENSIONS

TIGEAR-2 Reducers With Quill Input - Size 202 SIZE 20 WITH 2" EXTENDED LENGTH Output SHAFT

Motor Frame	Shaft Position	Ratio									
		5	7.5	10	15	20	25	30	40	50	60
56C	L	202Q05L56	202Q07L56	202Q10L56	202Q15L56	202Q20L56	202Q25L56	202Q30L56	202Q40L56	202Q50L56	202Q60L56
	R	202Q05R56	202Q07R56	202Q10R56	202Q15R56	202Q20R56	202Q25R56	202Q30R56	202Q40R56	202Q50R56	202Q60R56
140TC	L	202Q05L14	202Q07L14	202Q10L14	202Q15L14	202Q20L14	202Q25L14				
	R	202Q05R14	202Q07R14	202Q10R14	202Q15R14	202Q20R14	202Q25R14				

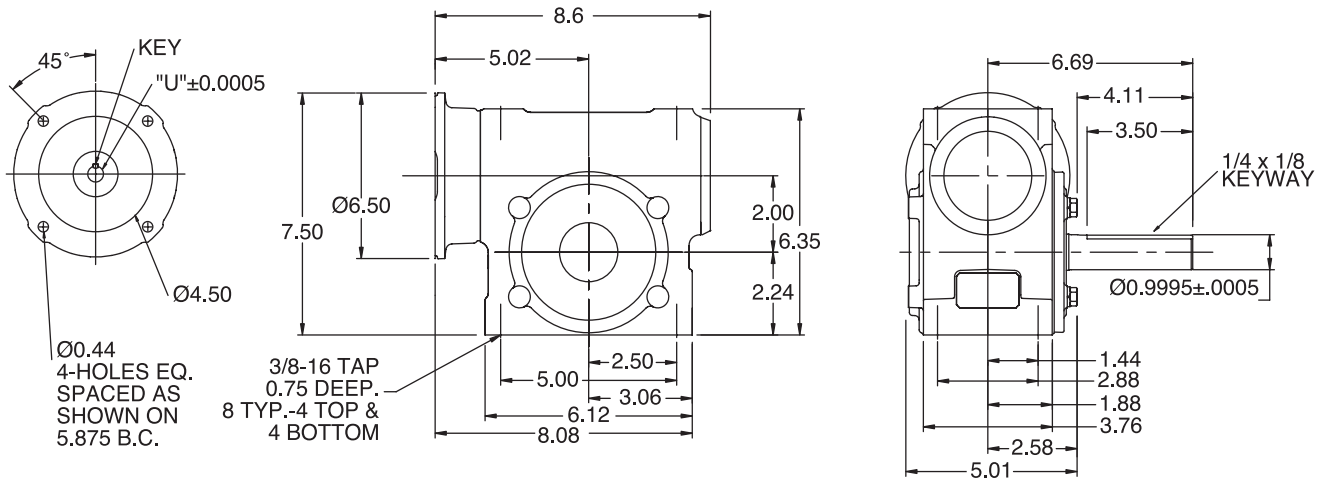
Note: Reducers are shipped without a mounting base. Order bolt-on base kit **20BASE** if required



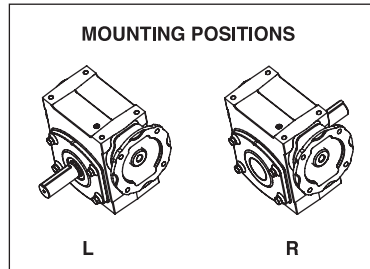
RATINGS/DIMENSIONS

TIGEAR-2 Reducers With Quill Input - Size 202 SIZE 20 WITH 2" EXTENDED LENGTH Output SHAFT

SOLID OUTPUT



MOTOR FRAME	"U"	KEY
48Y 56C	.626	3/16 SQ. x 1.50 KEY
140TC 160ATC	.876	3/16 SQ x 1.50 KEY





RATINGS/DIMENSIONS

TIGEAR-2 Reducers With Quill Input - Size 23

Ratio	Output RPM	Rating Data		Part Number			Shaft Position
		1750 Input RPM		56C	140TC	180TC	
4	438	Available Upon Request					
5	350	Mechanical Input Hp	5.25	23Q05L56	23Q05L14	23Q05L18	L
		Thermal Input Hp	6.61	23Q05R56	23Q05R14	23Q05R18	R
		Output Torque (lb in.)	881	23Q05LR56	23Q05LR14	23Q05LR18	LR
		Mechanical Output Hp	4.89	23Q05H56	23Q05H14	23Q05H18	HOLLOW
		Output OHL (lbs.)	1330	23Q05HA56	23Q05HA14	23Q05HA18	HOLLOW ALT.
7.5	233	Mechanical Input Hp	4.18	23Q07L56	23Q07L14	23Q07L18	L
		Thermal Input Hp	5.64	23Q07R56	23Q07R14	23Q07R18	R
		Output Torque (lb in.)	1026	23Q07LR56	23Q07LR14	23Q07LR18	LR
		Mechanical Output Hp	3.85	23Q07H56	23Q07H14	23Q07H18	HOLLOW
		Output OHL (lbs.)	1520	23Q07HA56	23Q07HA14	23Q07HA18	HOLLOW ALT.
10	175	Mechanical Input Hp	3.42	23Q10L56	23Q10L14	23Q10L18	L
		Thermal Input Hp	4.40	23Q10R56	23Q10R14	23Q10R18	R
		Output Torque (lb in.)	1106	23Q10LR56	23Q10LR14	23Q10LR18	LR
		Mechanical Output Hp	3.07	23Q10H56	23Q10H14	23Q10H18	HOLLOW
		Output OHL (lbs.)	1610	23Q10HA56	23Q10HA14	23Q10HA18	HOLLOW ALT.
12.7	138	Mechanical Input Hp	2.91	23Q12L56	23Q12L14	23Q12L18	L
		Thermal Input Hp	3.78	23Q12R56	23Q12R14	23Q12R18	R
		Output Torque (lb in.)	1170	23Q12LR56	23Q12LR14	23Q12LR18	LR
		Mechanical Output Hp	2.56	23Q12H56	23Q12H14	23Q12H18	HOLLOW
		Output OHL (lbs.)	1610	23Q12HA56	23Q12HA14	23Q12HA18	HOLLOW ALT.
15	117	Mechanical Input Hp	2.57	23Q15L56	23Q15L14		L
		Thermal Input Hp	3.30	23Q15R56	23Q15R14		R
		Output Torque (lb in.)	1199	23Q15LR56	23Q15LR14		LR
		Mechanical Output Hp	2.22	23Q15H56	23Q15H14		HOLLOW
		Output OHL (lbs.)	1610	23Q15HA56	23Q15HA14		HOLLOW ALT.
20	88	Mechanical Input Hp	2.00	23Q20L56	23Q20L14		L
		Thermal Input Hp	2.62	23Q20R56	23Q20R14		R
		Output Torque (lb in.)	1178	23Q20LR56	23Q20LR14		LR
		Mechanical Output Hp	1.64	23Q20H56	23Q20H14		HOLLOW
		Output OHL (lbs.)	1610	23Q20HA56	23Q20HA14		HOLLOW ALT.
25	70	Mechanical Input Hp	1.65	23Q25L56	23Q25L14		L
		Thermal Input Hp	2.16	23Q25R56	23Q25R14		R
		Output Torque (lb in.)	1184	23Q25LR56	23Q25LR14		LR
		Mechanical Output Hp	1.32	23Q25H56	23Q25H14		HOLLOW
		Output OHL (lbs.)	1610	23Q25HA56	23Q25HA14		HOLLOW ALT.
30	58	Mechanical Input Hp	1.42	23Q30L56	23Q30L14		L
		Thermal Input Hp	2.06	23Q30R56	23Q30R14		R
		Output Torque (lb in.)	1201	23Q30LR56	23Q30LR14		LR
		Mechanical Output Hp	1.11	23Q30H56	23Q30H14		HOLLOW
		Output OHL (lbs.)	1610	23Q30HA56	23Q30HA14		HOLLOW ALT.
40	44	Mechanical Input Hp	1.11	23Q40L56	23Q40L14		L
		Thermal Input Hp	1.73	23Q40R56	23Q40R14		R
		Output Torque (lb in.)	1193	23Q40LR56	23Q40LR14		LR
		Mechanical Output Hp	0.83	23Q40H56	23Q40H14		HOLLOW
		Output OHL (lbs.)	1610	23Q40HA56	23Q40HA14		HOLLOW ALT.
50	35	Mechanical Input Hp	0.95	23Q50L56			L
		Thermal Input Hp	1.42	23Q50R56			R
		Output Torque (lb in.)	1182	23Q50LR56			LR
		Mechanical Output Hp	0.66	23Q50H56			HOLLOW
		Output OHL (lbs.)	1610	23Q50HA56			HOLLOW ALT.
60	29	Mechanical Input Hp	0.80	23Q60L56			L
		Thermal Input Hp	1.24	23Q60R56			R
		Output Torque (lb in.)	1111	23Q60LR56			LR
		Mechanical Output Hp	0.51	23Q60H56			HOLLOW
		Output OHL (lbs.)	1610	23Q60HA56			HOLLOW ALT.

Note: Reducers are shipped without a mounting base. Order bolt-on base kit **23BASE** if required.
Refer to page G4-118 for hollow bore bushing selections

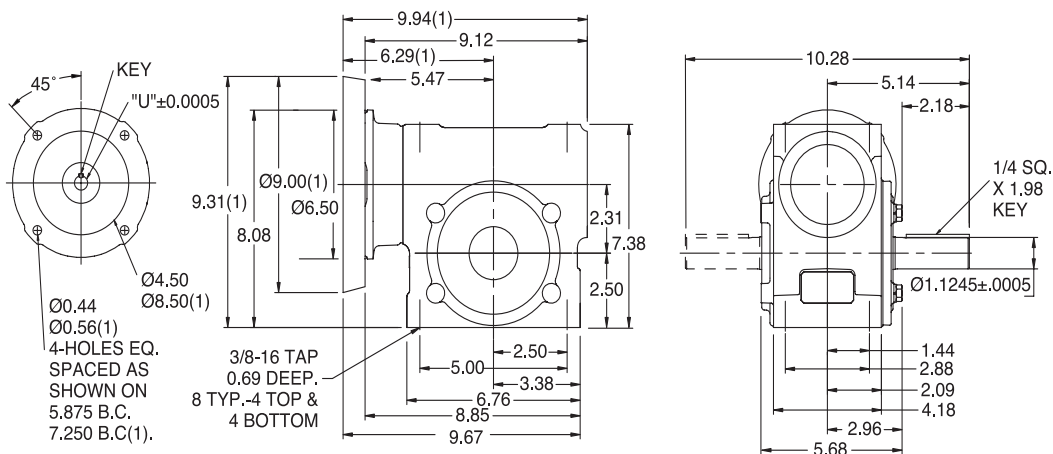
FEATURES/BENEFITS PAGE G4-2	SPECIFICATION PAGE G4-8	NOMENCLATURE PAGE G4-9	WASHDOWN PRODUCT PAGE G4-80
--------------------------------	----------------------------	---------------------------	--------------------------------



RATINGS/DIMENSIONS

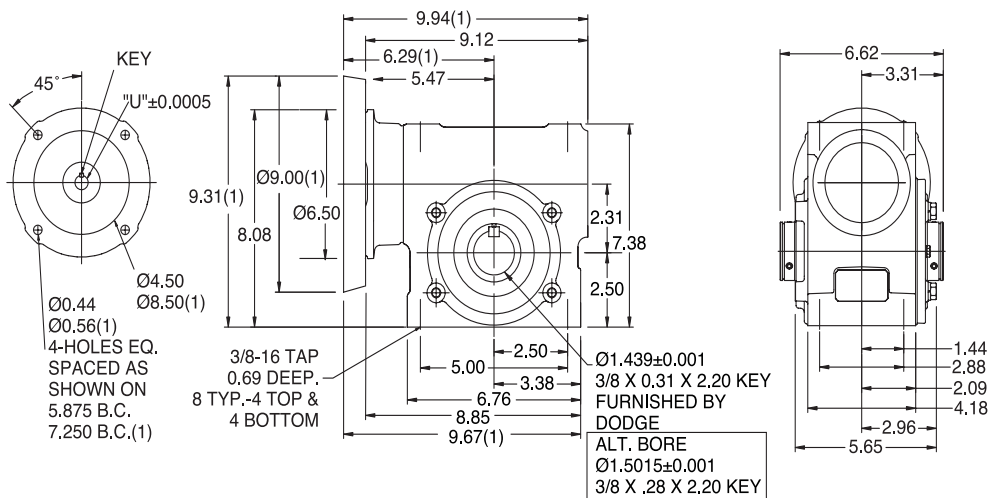
TIGEAR-2 Reducers With Quill Input - Size 23

SOLID OUTPUT



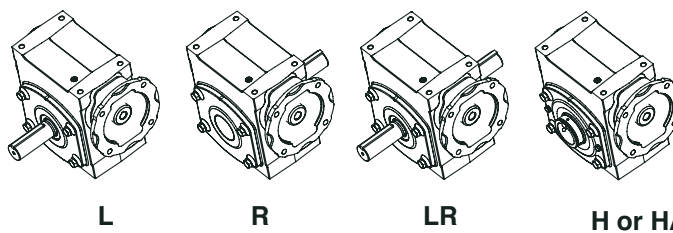
(1) DIMENSIONS APPLY TO
180 FRAME MOTOR ADAPTER

HOLLOW OUTPUT



MOTOR FRAME	"U"	KEY
48Y 56C	.6255	3/16 SQ. x 1.50 KEY
140TC 160ATC	.8755	3/16 SQ x 1.50 KEY
180TC 180ATC	1.1255	1/4 SQ x 2.00 KEY

OUTPUT SHAFT CONFIGURATIONS





RATINGS/DIMENSIONS

TIGEAR-2 Reducers With Separate Input - Size 23

Ratio	Output RPM	Rating Data 1750 Input RPM		Separate Reducer	Shaft Position	Optional Motor Adapter Kit		
						56C	140TC	180TC
4	438	Available Upon Request						
5	350	Mechanical Input Hp	5.25	23S05L	L	2330MTR56	2330MTR14	2330MTR18
		Thermal Input Hp	6.61	23S05R	R			
		Output Torque (lb in.)	881	23S05LR	LR			
		Mechanical Output Hp	4.89	23S05H	HOLLOW			
		Output OHL (lbs.)	1330	23S05HA	HOLLOW ALT.			
7.5	233	Mechanical Input Hp	4.18	23S07L	L	2330MTR56	2330MTR14	2330MTR18
		Thermal Input Hp	5.64	23S07R	R			
		Output Torque (lb in.)	1026	23S07LR	LR			
		Mechanical Output Hp	3.85	23S07H	HOLLOW			
		Output OHL (lbs.)	1520	23S07HA	HOLLOW ALT.			
10	175	Mechanical Input Hp	3.42	23S10L	L	2330MTR56	2330MTR14	2330MTR18
		Thermal Input Hp	4.4	23S10R	R			
		Output Torque (lb in.)	1106	23S10LR	LR			
		Mechanical Output Hp	3.07	23S10H	HOLLOW			
		Output OHL (lbs.)	1610	23S10HA	HOLLOW ALT.			
12.7	138	Mechanical Input Hp	2.91	23S12L	L	2330MTR56	2330MTR14	2330MTR18
		Thermal Input Hp	3.78	23S12R	R			
		Output Torque (lb in.)	1170	23S12LR	LR			
		Mechanical Output Hp	2.56	23S12H	HOLLOW			
		Output OHL (lbs.)	1610	23S12HA	HOLLOW ALT.			
15	117	Mechanical Input Hp	2.57	23S15L	L	2330MTR56	2330MTR14	
		Thermal Input Hp	3.3	23S15R	R			
		Output Torque (lb in.)	1199	23S15LR	LR			
		Mechanical Output Hp	2.22	23S15H	HOLLOW			
		Output OHL (lbs.)	1610	23S15HA	HOLLOW ALT.			
20	88	Mechanical Input Hp	2	23S20L	L	2330MTR56	2330MTR14	
		Thermal Input Hp	2.62	23S20R	R			
		Output Torque (lb in.)	1178	23S20LR	LR			
		Mechanical Output Hp	1.64	23S20H	HOLLOW			
		Output OHL (lbs.)	1610	23S20HA	HOLLOW ALT.			
25	70	Mechanical Input Hp	1.65	23S25L	L	2330MTR56	2330MTR14	
		Thermal Input Hp	2.16	23S25R	R			
		Output Torque (lb in.)	1184	23S25LR	LR			
		Mechanical Output Hp	1.32	23S25H	HOLLOW			
		Output OHL (lbs.)	1610	23S25HA	HOLLOW ALT.			
30	58	Mechanical Input Hp	1.42	23S30L	L	2330MTR56	2330MTR14	
		Thermal Input Hp	2.06	23S30R	R			
		Output Torque (lb in.)	1201	23S30LR	LR			
		Mechanical Output Hp	1.11	23S30H	HOLLOW			
		Output OHL (lbs.)	1610	23S30HA	HOLLOW ALT.			
40	44	Mechanical Input Hp	1.11	23S40L	L	2330MTR56	2330MTR14	
		Thermal Input Hp	1.73	23S40R	R			
		Output Torque (lb in.)	1193	23S40LR	LR			
		Mechanical Output Hp	0.83	23S40H	HOLLOW			
		Output OHL (lbs.)	1610	23S40HA	HOLLOW ALT.			
50	35	Mechanical Input Hp	0.95	23S50L	L	2330MTR56		
		Thermal Input Hp	1.42	23S50R	R			
		Output Torque (lb in.)	1182	23S50LR	LR			
		Mechanical Output Hp	0.66	23S50H	HOLLOW			
		Output OHL (lbs.)	1610	23S50HA	HOLLOW ALT.			
60	29	Mechanical Input Hp	0.8	23S60L	L	2330MTR56		
		Thermal Input Hp	1.24	23S60R	R			
		Output Torque (lb in.)	1111	23S60LR	LR			
		Mechanical Output Hp	0.51	23S60H	HOLLOW			
		Output OHL (lbs.)	1610	23S60HA	HOLLOW ALT.			
All Ratios		Input OHL (lbs)	200	One diameter from seal surface				

Note: TIGEAR-2 separate reducers cannot be used with the old Adaptable TIGEAR motor adapter kits. Refer to page G4-118 for hollow bore bushing selections

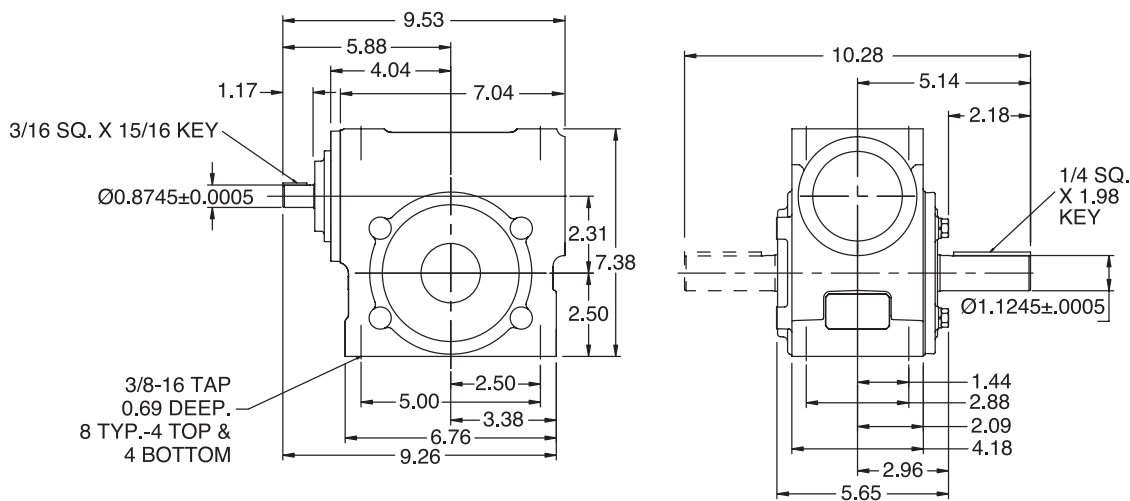
FEATURES/BENEFITS PAGE G4-2	SPECIFICATION PAGE G4-8	NOMENCLATURE PAGE G4-9	RATINGS/DIMENSIONS PAGE G4-16
--------------------------------	----------------------------	---------------------------	----------------------------------



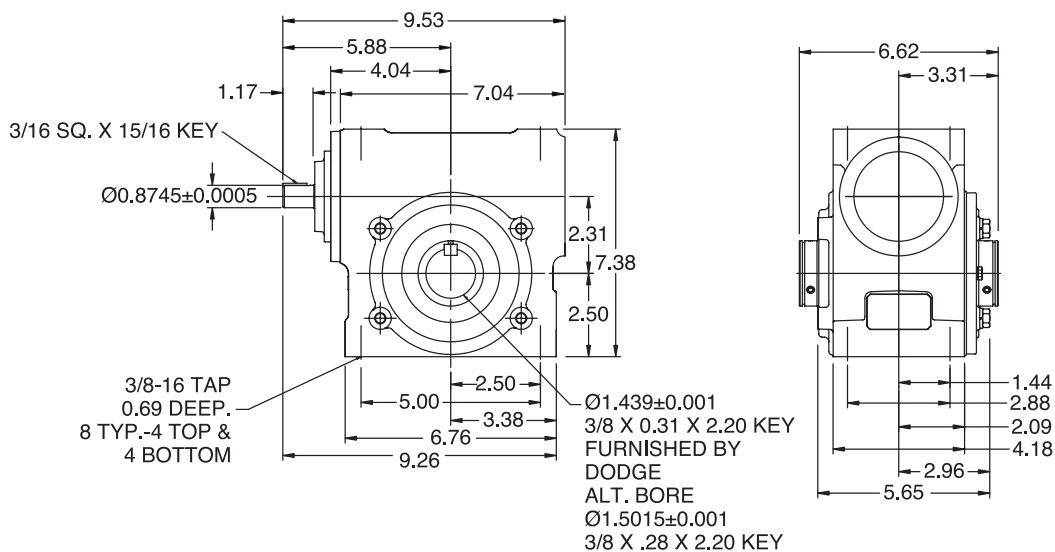
RATINGS/DIMENSIONS

TIGEAR-2 Reducers With Separate Input - Size 23

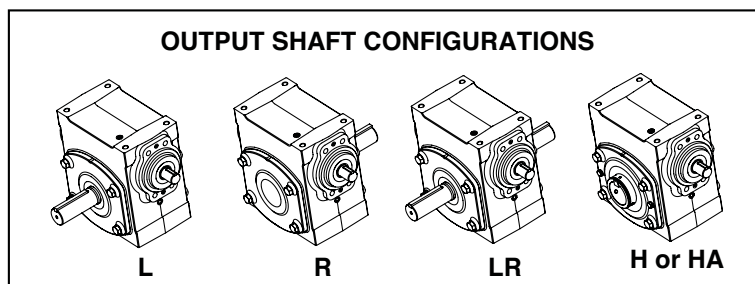
SOLID OUTPUT



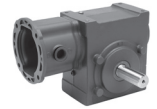
HOLLOW OUTPUT



OUTPUT SHAFT CONFIGURATIONS



FEATURES/BENEFITS PAGE G4-2	SPECIFICATION PAGE G4-8	NOMENCLATURE PAGE G4-9	RATINGS/DIMENSIONS PAGE G4-16
--------------------------------	----------------------------	---------------------------	----------------------------------



RATINGS/DIMENSIONS

TIGEAR-2 Reducers With 3-Piece Coupled Input - Size 23

3-Piece Coupled units include a Separate reducer, 3-piece coupling and motor adapter housing assembled together. These assemblies are normally "made to order" with a 5 day standard lead time.

Ratio	Output RPM	Rating Data 1750 Input RPM		Part Number			Shaft Position
				56C	140TC	180TC	
4	438	Available Upon Request					
		Mechanical Input Hp	5.25	23A05L56	23A05L14	23A05L18	L
5	350	Thermal Input Hp	6.61	23A05R56	23A05R14	23A05R18	R
		Output Torque (lb in.)	881	23A05LR56	23A05LR14	23A05LR18	LR
		Mechanical Output Hp	4.89	23A05H56	23A05H14	23A05H18	HOLLOW
		Output OHL (lbs.)	1330	23A05HA56	23A05HA14	23A05HA18	HOLLOW ALT.
7.5	233	Mechanical Input Hp	4.18	23A07L56	23A07L14	23A07L18	L
		Thermal Input Hp	5.64	23A07R56	23A07R14	23A07R18	R
		Output Torque (lb in.)	1026	23A07LR56	23A07LR14	23A07LR18	LR
		Mechanical Output Hp	3.85	23A07H56	23A07H14	23A07H18	HOLLOW
		Output OHL (lbs.)	1520	23A07HA56	23A07HA14	23A07HA18	HOLLOW ALT.
10	175	Mechanical Input Hp	3.42	23A10L56	23A10L14	23A10L18	L
		Thermal Input Hp	4.40	23A10R56	23A10R14	23A10R18	R
		Output Torque (lb in.)	1106	23A10LR56	23A10LR14	23A10LR18	LR
		Mechanical Output Hp	3.07	23A10H56	23A10H14	23A10H18	HOLLOW
		Output OHL (lbs.)	1610	23A10HA56	23A10HA14	23A10HA18	HOLLOW ALT.
12.7	138	Mechanical Input Hp	2.91	23A12L56	23A12L14	23A12L18	L
		Thermal Input Hp	3.78	23A12R56	23A12R14	23A12R18	R
		Output Torque (lb in.)	1170	23A12LR56	23A12LR14	23A12LR18	LR
		Mechanical Output Hp	2.56	23A12H56	23A12H14	23A12H18	HOLLOW
		Output OHL (lbs.)	1610	23A12HA56	23A12HA14	23A12HA18	HOLLOW ALT.
15	117	Mechanical Input Hp	2.57	23A15L56	23A15L14		L
		Thermal Input Hp	3.30	23A15R56	23A15R14		R
		Output Torque (lb in.)	1199	23A15LR56	23A15LR14		LR
		Mechanical Output Hp	2.22	23A15H56	23A15H14		HOLLOW
		Output OHL (lbs.)	1610	23A15HA56	23A15HA14		HOLLOW ALT.
20	88	Mechanical Input Hp	2.00	23A20L56	23A20L14		L
		Thermal Input Hp	2.62	23A20R56	23A20R14		R
		Output Torque (lb in.)	1178	23A20LR56	23A20LR14		LR
		Mechanical Output Hp	1.64	23A20H56	23A20H14		HOLLOW
		Output OHL (lbs.)	1610	23A20HA56	23A20HA14		HOLLOW ALT.
25	70	Mechanical Input Hp	1.65	23A25L56	23A25L14		L
		Thermal Input Hp	2.16	23A25R56	23A25R14		R
		Output Torque (lb in.)	1184	23A25LR56	23A25LR14		LR
		Mechanical Output Hp	1.32	23A25H56	23A25H14		HOLLOW
		Output OHL (lbs.)	1610	23A25HA56	23A25HA14		HOLLOW ALT.
30	58	Mechanical Input Hp	1.42	23A30L56	23A30L14		L
		Thermal Input Hp	2.06	23A30R56	23A30R14		R
		Output Torque (lb in.)	1201	23A30LR56	23A30LR14		LR
		Mechanical Output Hp	1.11	23A30H56	23A30H14		HOLLOW
		Output OHL (lbs.)	1610	23A30HA56	23A30HA14		HOLLOW ALT.
40	44	Mechanical Input Hp	1.11	23A40L56	23A40L14		L
		Thermal Input Hp	1.73	23A40R56	23A40R14		R
		Output Torque (lb in.)	1193	23A40LR56	23A40LR14		LR
		Mechanical Output Hp	0.83	23A40H56	23A40H14		HOLLOW
		Output OHL (lbs.)	1610	23A40HA56	23A40HA14		HOLLOW ALT.
50	35	Mechanical Input Hp	0.95	23A50L56			L
		Thermal Input Hp	1.42	23A50R56			R
		Output Torque (lb in.)	1182	23A50LR56			LR
		Mechanical Output Hp	0.66	23A50H56			HOLLOW
		Output OHL (lbs.)	1610	23A50HA56			HOLLOW ALT.
60	29	Mechanical Input Hp	0.80	23A60L56			L
		Thermal Input Hp	1.24	23A60R56			R
		Output Torque (lb in.)	1111	23A60LR56			LR
		Mechanical Output Hp	0.51	23A60H56			HOLLOW
		Output OHL (lbs.)	1610	23A60HA56			HOLLOW ALT.

Note: Reducers are shipped without a mounting base. Order bolt-on base kit **23BASE** if required. Refer to page G4-118 for hollow bore bushing selections

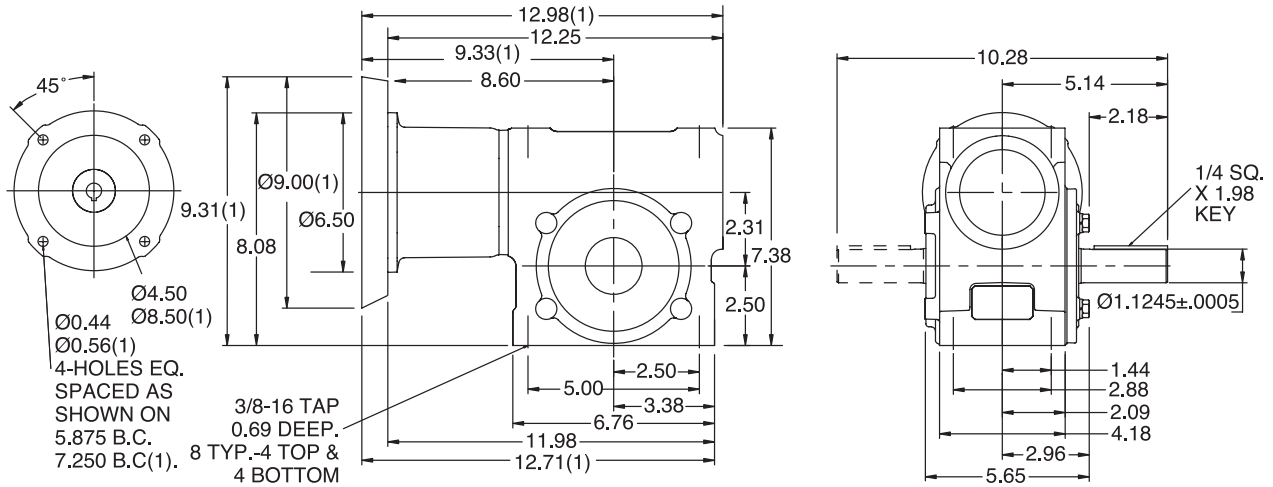
FEATURES/BENEFITS PAGE G4-2	SPECIFICATION PAGE G4-8	NOMENCLATURE PAGE G4-9	RATINGS/DIMENSIONS PAGE G4-16
--------------------------------	----------------------------	---------------------------	----------------------------------



RATINGS/DIMENSIONS

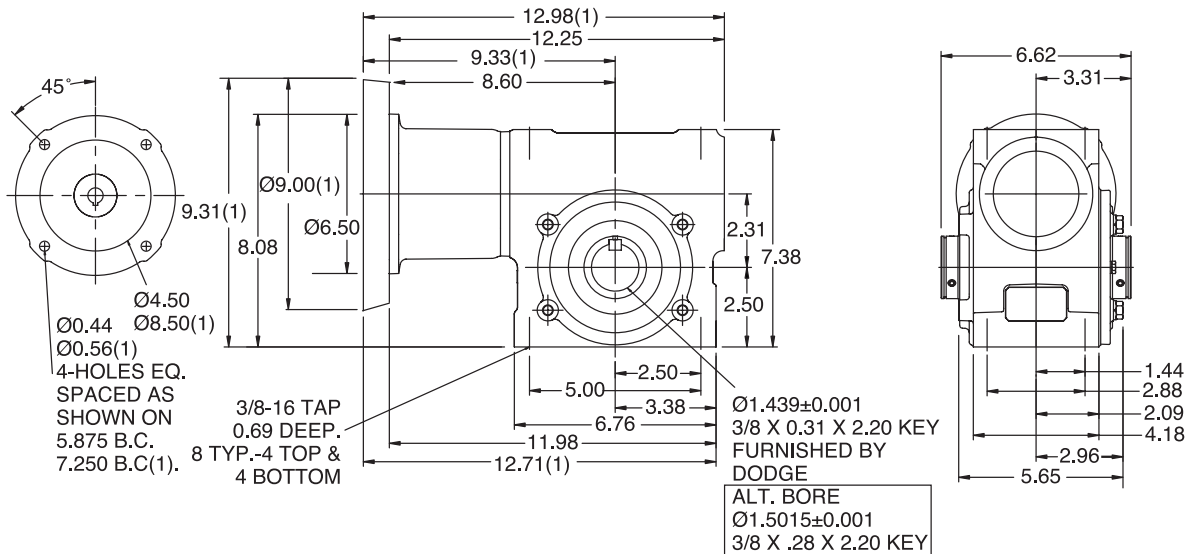
TIGEAR-2 Reducers With 3-Piece Coupled Input - Size 23

SOLID OUTPUT

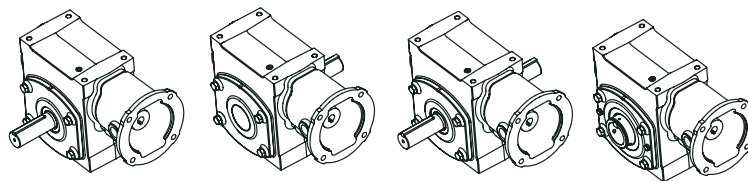


(1) DIMENSIONS APPLY TO 180 FRAME MOTOR ADAPTER

HOLLOW OUTPUT



OUTPUT SHAFT CONFIGURATIONS



L

R

LR

H or HA



RATINGS/DIMENSIONS

TIGEAR-2 Reducers With Quill Input - Size 26

Ratio	Output RPM	Rating Data		Part Number			Shaft Position
		1750 Input RPM		56C	140TC	180TC	
5	350	Mechanical Input Hp	7.37		26Q05L14	26Q05L18	L
		Thermal Input Hp	8.79		26Q05R14	26Q05R18	R
		Output Torque (lb in.)	1247		26Q05LR14	26Q05LR18	LR
		Mechanical Output Hp	6.93		26Q05H14	26Q05H18	HOLLOW
		Output OHL (lbs.)	1330		26Q05HA14	26Q05HA18	HOLLOW ALT.
6.5	269	Available Upon Request					
7.5	233	Mechanical Input Hp	5.92	26Q07L56	26Q07L14	26Q07L18	L
		Thermal Input Hp	6.89	26Q07R56	26Q07R14	26Q07R18	R
		Output Torque (lb in.)	1458	26Q07LR56	26Q07LR14	26Q07LR18	LR
		Mechanical Output Hp	5.47	26Q07H56	26Q07H14	26Q07H18	HOLLOW
		Output OHL (lbs.)	1520	26Q07HA56	26Q07HA14	26Q07HA18	HOLLOW ALT.
10	175	Mechanical Input Hp	4.83	26Q10L56	26Q10L14	26Q10L18	L
		Thermal Input Hp	5.61	26Q10R56	26Q10R14	26Q10R18	R
		Output Torque (lb in.)	1576	26Q10LR56	26Q10LR14	26Q10LR18	LR
		Mechanical Output Hp	4.37	26Q10H56	26Q10H14	26Q10H18	HOLLOW
		Output OHL (lbs.)	1610	26Q10HA56	26Q10HA14	26Q10HA18	HOLLOW ALT.
12.7	138	Mechanical Input Hp	4.08	26Q12L56	26Q12L14	26Q12L18	L
		Thermal Input Hp	4.72	26Q12R56	26Q12R14	26Q12R18	R
		Output Torque (lb in.)	1654	26Q12LR56	26Q12LR14	26Q12LR18	LR
		Mechanical Output Hp	3.63	26Q12H56	26Q12H14	26Q12H18	HOLLOW
		Output OHL (lbs.)	1610	26Q12HA56	26Q12HA14	26Q12HA18	HOLLOW ALT.
15	117	Mechanical Input Hp	3.62	26Q15L56	26Q15L14	26Q15L18	L
		Thermal Input Hp	4.15	26Q15R56	26Q15R14	26Q15R18	R
		Output Torque (lb in.)	1708	26Q15LR56	26Q15LR14	26Q15LR18	LR
		Mechanical Output Hp	3.16	26Q15H56	26Q15H14	26Q15H18	HOLLOW
		Output OHL (lbs.)	1610	26Q15HA56	26Q15HA14	26Q15HA18	HOLLOW ALT.
18	97	Mechanical Input Hp	3.05	26Q18L56	26Q18L14	26Q18L18	L
		Thermal Input Hp	3.73	26Q18R56	26Q18R14	26Q18R18	R
		Output Torque (lb in.)	1708	26Q18LR56	26Q18LR14	26Q18LR18	LR
		Mechanical Output Hp	2.63	26Q18H56	26Q18H14	26Q18H18	HOLLOW
		Output OHL (lbs.)	1610	26Q18HA56	26Q18HA14	26Q18HA18	HOLLOW ALT.
20	88	Mechanical Input Hp	2.71	26Q20L56	26Q20L14		L
		Thermal Input Hp	3.71	26Q20R56	26Q20R14		R
		Output Torque (lb in.)	1673	26Q20LR56	26Q20LR14		LR
		Mechanical Output Hp	2.32	26Q20H56	26Q20H14		HOLLOW
		Output OHL (lbs.)	1610	26Q20HA56	26Q20HA14		HOLLOW ALT.
25	70	Mechanical Input Hp	2.26	26Q25L56	26Q25L14		L
		Thermal Input Hp	3.00	26Q25R56	26Q25R14		R
		Output Torque (lb in.)	1677	26Q25LR56	26Q25LR14		LR
		Mechanical Output Hp	1.86	26Q25H56	26Q25H14		HOLLOW
		Output OHL (lbs.)	1610	26Q25HA56	26Q25HA14		HOLLOW ALT.
30	58	Mechanical Input Hp	2.00	26Q30L56	26Q30L14		L
		Thermal Input Hp	2.79	26Q30R56	26Q30R14		R
		Output Torque (lb in.)	1705	26Q30LR56	26Q30LR14		LR
		Mechanical Output Hp	1.58	26Q30H56	26Q30H14		HOLLOW
		Output OHL (lbs.)	1610	26Q30HA56	26Q30HA14		HOLLOW ALT.
40	44	Mechanical Input Hp	1.55	26Q40L56	26Q40L14		L
		Thermal Input Hp	2.14	26Q40R56	26Q40R14		R
		Output Torque (lb in.)	1685	26Q40LR56	26Q40LR14		LR
		Mechanical Output Hp	1.17	26Q40H56	26Q40H14		HOLLOW
		Output OHL (lbs.)	1610	26Q40HA56	26Q40HA14		HOLLOW ALT.
50	35	Mechanical Input Hp	1.32	26Q50L56	26Q50L14		L
		Thermal Input Hp	1.76	26Q50R56	26Q50R14		R
		Output Torque (lb in.)	1662	26Q50LR56	26Q50LR14		LR
		Mechanical Output Hp	0.92	26Q50H56	26Q50H14		HOLLOW
		Output OHL (lbs.)	1610	26Q50HA56	26Q50HA14		HOLLOW ALT.
60	29	Mechanical Input Hp	1.08	26Q60L56	26Q60L14		L
		Thermal Input Hp	1.57	26Q60R56	26Q60R14		R
		Output Torque (lb in.)	1547	26Q60LR56	26Q60LR14		LR
		Mechanical Output Hp	0.72	26Q60H56	26Q60H14		HOLLOW
		Output OHL (lbs.)	1610	26Q60HA56	26Q60HA14		HOLLOW ALT.
80	22	Available Upon Request					

Note: Reducers are shipped without a mounting base. Order bolt-on base kit **26BASE** if required. Refer to page G4-118 for hollow bore bushing selections

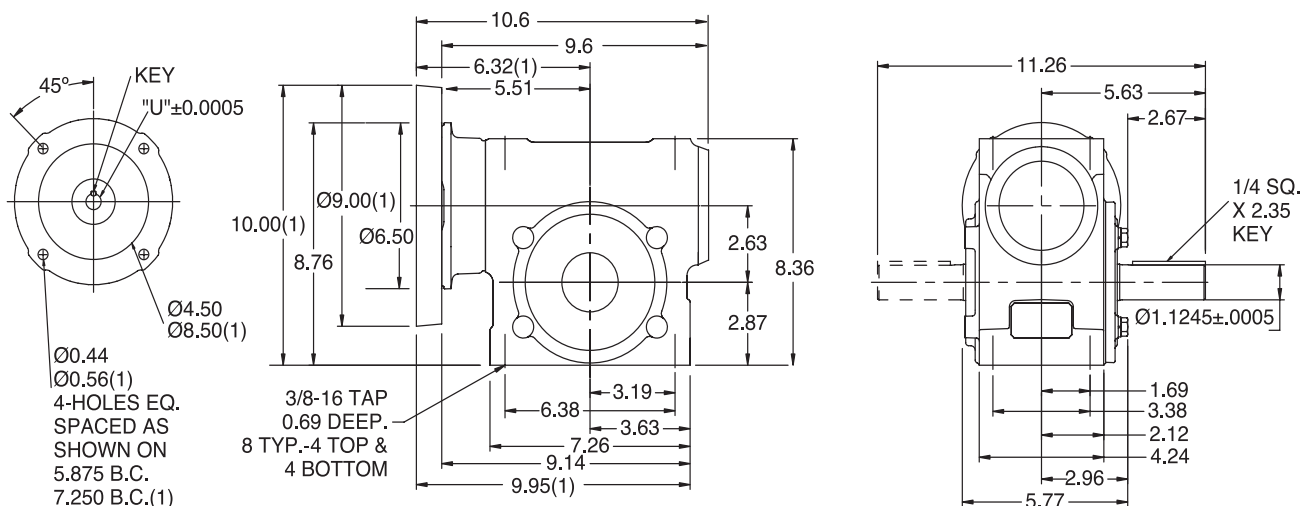
FEATURES/BENEFITS PAGE G4-2	SPECIFICATION PAGE G4-8	NOMENCLATURE PAGE G4-9	WASHDOWN PRODUCT PAGE G4-80
--------------------------------	----------------------------	---------------------------	--------------------------------



RATINGS/DIMENSIONS

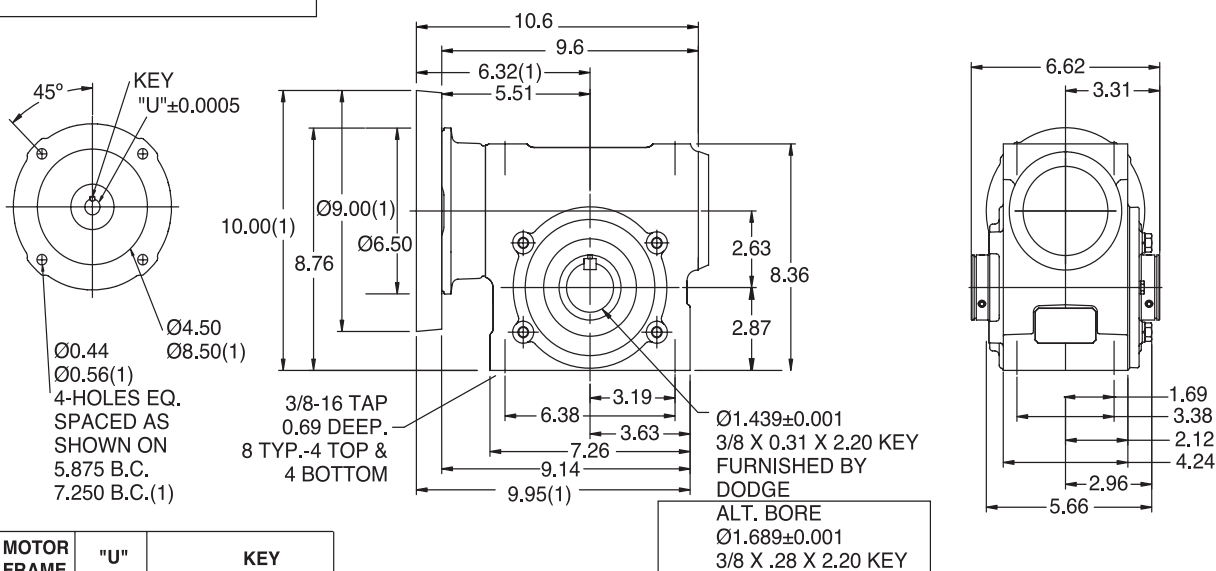
TIGEAR-2 Reducers With Quill Input - Size 26

SOLID OUTPUT



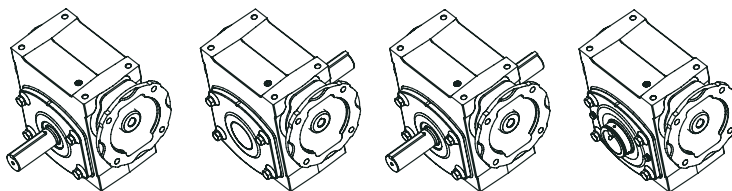
(1) DIMENSIONS APPLY TO 180 FRAME MOTOR ADAPTER

HOLLOW OUTPUT



MOTOR FRAME	"U"	KEY
48Y 56C	.626	3/16 SQ. x 1.50 KEY
140TC 160ATC	.876	3/16 SQ x 1.50 KEY
180TC 180ATC	1.126	1/4 SQ x 2.00 KEY

OUTPUT SHAFT CONFIGURATIONS



L

R

LR

H or HA



RATINGS/DIMENSIONS

TIGEAR-2 Reducers With Separate Input - Size 26

Ratio	Output RPM	Rating Data 1750 Input RPM		Separate Reducer	Shaft Position	Optional Motor Adapter Kit		
						56C	140TC	180TC
5	350	Mechanical Input Hp	7.37	26S05L	L	2330MTR14	2330MTR18	
		Thermal Input Hp	8.79	26S05R	R			
		Output Torque (lb in.)	1247	26S05LR	LR			
		Mechanical Output Hp	6.93	26S05H	HOLLOW			
		Output OHL (lbs.)	1330	26S05HA	HOLLOW ALT.			
6.5	269	Available Upon Request						
7.5	233	Mechanical Input Hp	5.92	26S07L	L	2330MTR56	2330MTR14	2330MTR18
		Thermal Input Hp	6.89	26S07R	R			
		Output Torque (lb in.)	1458	26S07LR	LR			
		Mechanical Output Hp	5.47	26S07H	HOLLOW			
		Output OHL (lbs.)	1520	26S07HA	HOLLOW ALT.			
10	175	Mechanical Input Hp	4.83	26S10L	L	2330MTR56	2330MTR14	2330MTR18
		Thermal Input Hp	5.61	26S10R	R			
		Output Torque (lb in.)	1576	26S10LR	LR			
		Mechanical Output Hp	4.37	26S10H	HOLLOW			
		Output OHL (lbs.)	1610	26S10HA	HOLLOW ALT.			
12.7	138	Mechanical Input Hp	4.08	26S12L	L	2330MTR56	2330MTR14	2330MTR18
		Thermal Input Hp	4.72	26S12R	R			
		Output Torque (lb in.)	1654	26S12LR	LR			
		Mechanical Output Hp	3.63	26S12H	HOLLOW			
		Output OHL (lbs.)	1610	26S12HA	HOLLOW ALT.			
15	117	Mechanical Input Hp	3.62	26S15L	L	2330MTR56	2330MTR14	2330MTR18
		Thermal Input Hp	4.15	26S15R	R			
		Output Torque (lb in.)	1708	26S15LR	LR			
		Mechanical Output Hp	3.16	26S15H	HOLLOW			
		Output OHL (lbs.)	1610	26S15HA	HOLLOW ALT.			
18	97	Mechanical Input Hp	3.05	26S18L	L	2330MTR56	2330MTR14	
		Thermal Input Hp	3.73	26S18R	R			
		Output Torque (lb in.)	1708	26S18LR	LR			
		Mechanical Output Hp	2.63	26S18H	HOLLOW			
		Output OHL (lbs.)	1610	26S18HA	HOLLOW ALT.			
20	88	Mechanical Input Hp	2.71	26S20L	L	2330MTR56	2330MTR14	
		Thermal Input Hp	3.71	26S20R	R			
		Output Torque (lb in.)	1673	26S20LR	LR			
		Mechanical Output Hp	2.32	26S20H	HOLLOW			
		Output OHL (lbs.)	1610	26S20HA	HOLLOW ALT.			
25	70	Mechanical Input Hp	2.26	26S25L	L	2330MTR56	2330MTR14	
		Thermal Input Hp	3	26S25R	R			
		Output Torque (lb in.)	1677	26S25LR	LR			
		Mechanical Output Hp	1.86	26S25H	HOLLOW			
		Output OHL (lbs.)	1610	26S25HA	HOLLOW ALT.			
30	58	Mechanical Input Hp	2	26S30L	L	2330MTR56	2330MTR14	
		Thermal Input Hp	2.79	26S30R	R			
		Output Torque (lb in.)	1705	26S30LR	LR			
		Mechanical Output Hp	1.58	26S30H	HOLLOW			
		Output OHL (lbs.)	1610	26S30HA	HOLLOW ALT.			
40	44	Mechanical Input Hp	1.55	26S40L	L	2330MTR56	2330MTR14	
		Thermal Input Hp	2.14	26S40R	R			
		Output Torque (lb in.)	1685	26S40LR	LR			
		Mechanical Output Hp	1.17	26S40H	HOLLOW			
		Output OHL (lbs.)	1610	26S40HA	HOLLOW ALT.			
50	35	Mechanical Input Hp	1.32	26S50L	L	2330MTR56	2330MTR14	
		Thermal Input Hp	1.76	26S50R	R			
		Output Torque (lb in.)	1662	26S50LR	LR			
		Mechanical Output Hp	0.92	26S50H	HOLLOW			
		Output OHL (lbs.)	1610	26S50HA	HOLLOW ALT.			
60	29	Mechanical Input Hp	1.08	26S60L	L	2330MTR56	2330MTR14	
		Thermal Input Hp	1.57	26S60R	R			
		Output Torque (lb in.)	1547	26S60LR	LR			
		Mechanical Output Hp	0.72	26S60H	HOLLOW			
		Output OHL (lbs.)	1610	26S60HA	HOLLOW ALT.			
80	22	Available Upon Request						
All Ratios		Input OHL (lbs)	250			One diameter from seal surface		

Note: TIGEAR-2 separate reducers cannot be used with the old Adaptable TIGEAR motor adapter kits. Refer to page G4-118 for hollow bore bushing selections

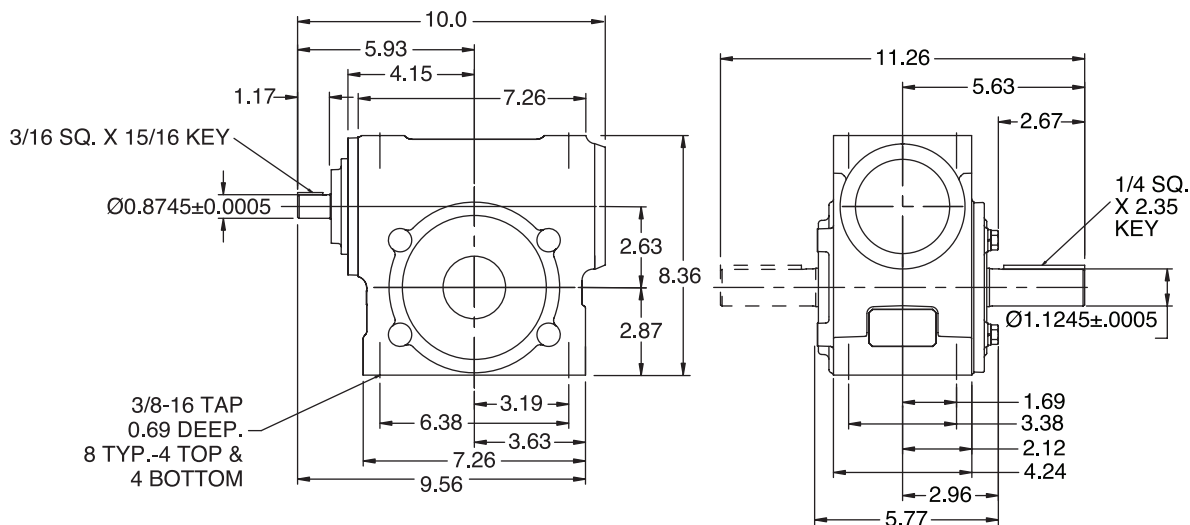
FEATURES/BENEFITS PAGE G4-2	SPECIFICATION PAGE G4-8	NOMENCLATURE PAGE G4-9	RATINGS/DIMENSIONS PAGE G4-16
--------------------------------	----------------------------	---------------------------	----------------------------------



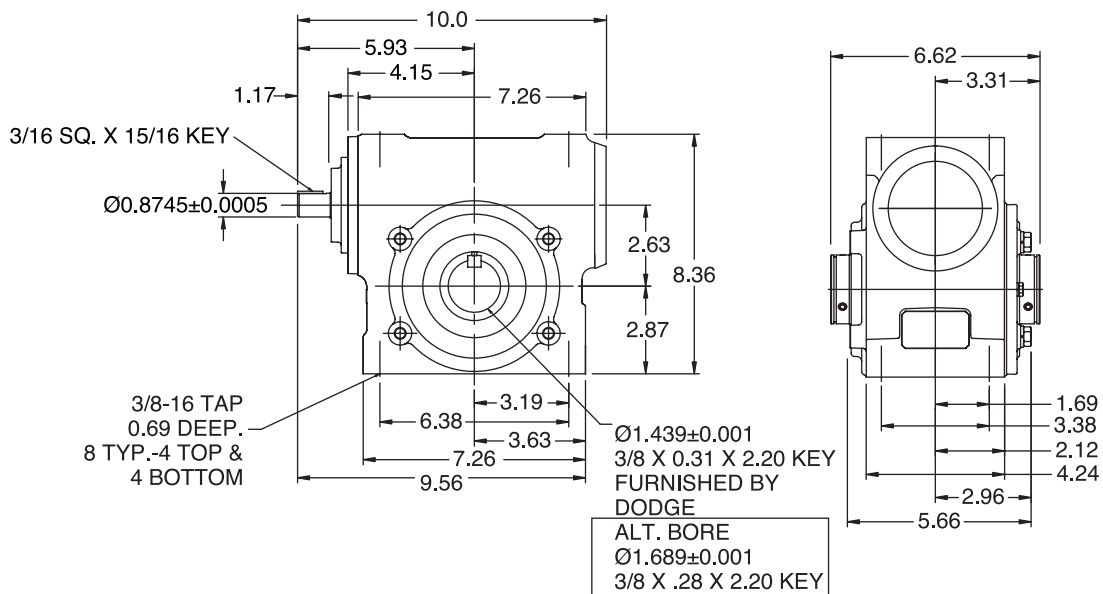
RATINGS/DIMENSIONS

TIGEAR-2 Reducers With Separate Input - Size 26

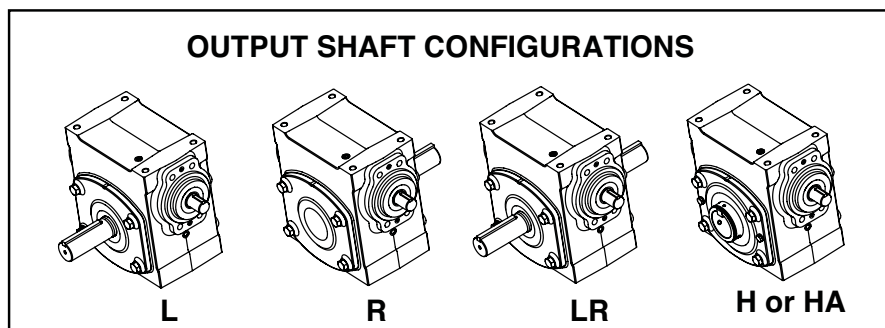
SOLID OUTPUT

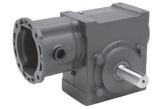


HOLLOW OUTPUT



OUTPUT SHAFT CONFIGURATIONS





RATINGS/DIMENSIONS

TIGEAR-2 Reducers With 3-Piece Coupled Input - Size 26

3-Piece Coupled units include a Separate reducer, 3-piece coupling and motor adapter housing assembled together. These assemblies are normally "made to order" with a 5 day standard lead time.

Ratio	Output RPM	Rating Data 1750 Input RPM		Part Number			Shaft Position
				56C	140TC	180TC	
5	350	Mechanical Input Hp	7.37		26A05L14	26A05L18	L
		Thermal Input Hp	8.79		26A05R14	26A05R18	R
		Output Torque (lb in.)	1247		26A05LR14	26A05LR18	LR
		Mechanical Output Hp	6.93		26A05H14	26A05H18	HOLLOW
		Output OHL (lbs.)	1330		26A05HA14	26A05HA18	HOLLOW ALT.
6.5	269	Available Upon Request					
7.5	233	Mechanical Input Hp	5.92	26A07L56	26A07L14	26A07L18	L
		Thermal Input Hp	6.89	26A07R56	26A07R14	26A07R18	R
		Output Torque (lb in.)	1458	26A07LR56	26A07LR14	26A07LR18	LR
		Mechanical Output Hp	5.47	26A07H56	26A07H14	26A07H18	HOLLOW
		Output OHL (lbs.)	1520	26A07HA56	26A07HA14	26A07HA18	HOLLOW ALT.
10	175	Mechanical Input Hp	4.83	26A10L56	26A10L14	26A10L18	L
		Thermal Input Hp	5.61	26A10R56	26A10R14	26A10R18	R
		Output Torque (lb in.)	1576	26A10LR56	26A10LR14	26A10LR18	LR
		Mechanical Output Hp	4.37	26A10H56	26A10H14	26A10H18	HOLLOW
		Output OHL (lbs.)	1610	26A10HA56	26A10HA14	26A10HA18	HOLLOW ALT.
12.7	138	Mechanical Input Hp	4.08	26A12L56	26A12L14	26A12L18	L
		Thermal Input Hp	4.72	26A12R56	26A12R14	26A12R18	R
		Output Torque (lb in.)	1654	26A12LR56	26A12LR14	26A12LR18	LR
		Mechanical Output Hp	3.63	26A12H56	26A12H14	26A12H18	HOLLOW
		Output OHL (lbs.)	1610	26A12HA56	26A12HA14	26A12HA18	HOLLOW ALT.
15	117	Mechanical Input Hp	3.62	26A15L56	26A15L14	26A15L18	L
		Thermal Input Hp	4.15	26A15R56	26A15R14	26A15R18	R
		Output Torque (lb in.)	1708	26A15LR56	26A15LR14	26A15LR18	LR
		Mechanical Output Hp	3.16	26A15H56	26A15H14	26A15H18	HOLLOW
		Output OHL (lbs.)	1610	26A15HA56	26A15HA14	26A15HA18	HOLLOW ALT.
18	97	Mechanical Input Hp	3.05	26A18L56	26A18L14	26A18L18	L
		Thermal Input Hp	3.73	26A18R56	26A18R14	26A18R18	R
		Output Torque (lb in.)	1708	26A18LR56	26A18LR14	26A18LR18	LR
		Mechanical Output Hp	2.63	26A18H56	26A18H14	26A18H18	HOLLOW
		Output OHL (lbs.)	1610	26A18HA56	26A18HA14	26A18HA18	HOLLOW ALT.
20	88	Mechanical Input Hp	2.71	26A20L56	26A20L14		L
		Thermal Input Hp	3.71	26A20R56	26A20R14		R
		Output Torque (lb in.)	1673	26A20LR56	26A20LR14		LR
		Mechanical Output Hp	2.32	26A20H56	26A20H14		HOLLOW
		Output OHL (lbs.)	1610	26A20HA56	26A20HA14		HOLLOW ALT.
25	70	Mechanical Input Hp	2.26	26A25L56	26A25L14		L
		Thermal Input Hp	3.00	26A25R56	26A25R14		R
		Output Torque (lb in.)	1677	26A25LR56	26A25LR14		LR
		Mechanical Output Hp	1.86	26A25H56	26A25H14		HOLLOW
		Output OHL (lbs.)	1610	26A25HA56	26A25HA14		HOLLOW ALT.
30	58	Mechanical Input Hp	2.00	26A30L56	26A30L14		L
		Thermal Input Hp	2.79	26A30R56	26A30R14		R
		Output Torque (lb in.)	1705	26A30LR56	26A30LR14		LR
		Mechanical Output Hp	1.58	26A30H56	26A30H14		HOLLOW
		Output OHL (lbs.)	1610	26A30HA56	26A30HA14		HOLLOW ALT.
40	44	Mechanical Input Hp	1.55	26A40L56	26A40L14		L
		Thermal Input Hp	2.14	26A40R56	26A40R14		R
		Output Torque (lb in.)	1685	26A40LR56	26A40LR14		LR
		Mechanical Output Hp	1.17	26A40H56	26A40H14		HOLLOW
		Output OHL (lbs.)	1610	26A40HA56	26A40HA14		HOLLOW ALT.
50	35	Mechanical Input Hp	1.32	26A50L56	26A50L14		L
		Thermal Input Hp	1.76	26A50R56	26A50R14		R
		Output Torque (lb in.)	1662	26A50LR56	26A50LR14		LR
		Mechanical Output Hp	0.92	26A50H56	26A50H14		HOLLOW
		Output OHL (lbs.)	1610	26A50HA56	26A50HA14		HOLLOW ALT.
60	29	Mechanical Input Hp	1.08	26A60L56	26A60L14		L
		Thermal Input Hp	1.57	26A60R56	26A60R14		R
		Output Torque (lb in.)	1547	26A60LR56	26A60LR14		LR
		Mechanical Output Hp	0.72	26A60H56	26A60H14		HOLLOW
		Output OHL (lbs.)	1610	26A60HA56	26A60HA14		HOLLOW ALT.
80	22	Available Upon Request					

Note: Reducers are shipped without a mounting base. Order bolt-on base kit **26BASE** if required. Refer to page G4-118 for hollow bore bushing selections

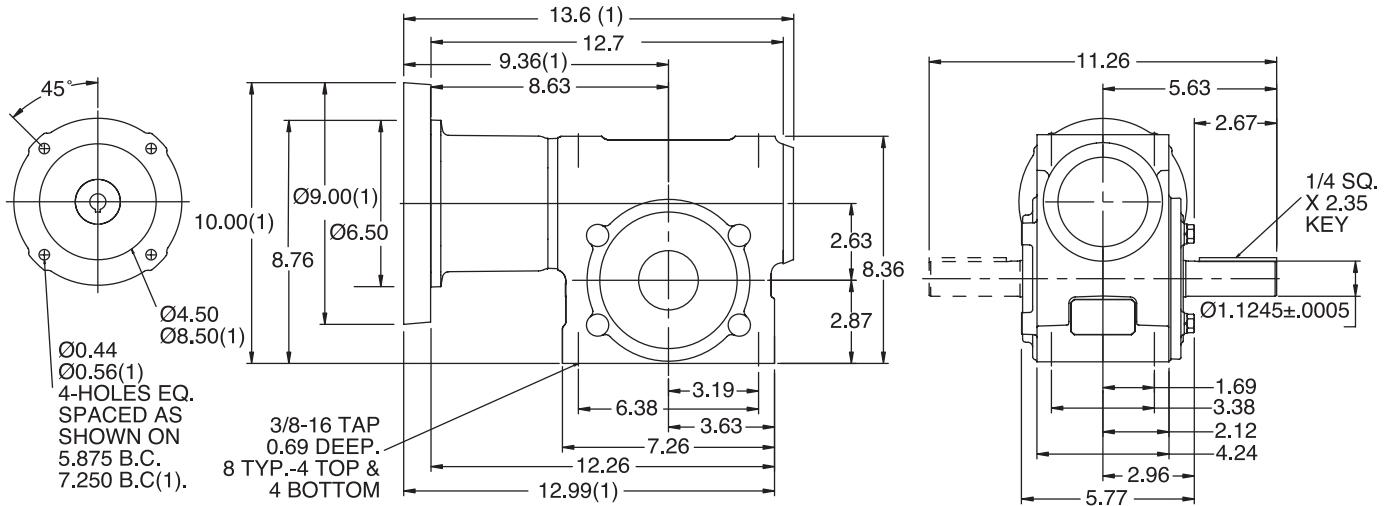
FEATURES/BENEFITS PAGE G4-2	SPECIFICATION PAGE G4-8	NOMENCLATURE PAGE G4-9	RATINGS/DIMENSIONS PAGE G4-16
--------------------------------	----------------------------	---------------------------	----------------------------------



RATINGS/DIMENSIONS

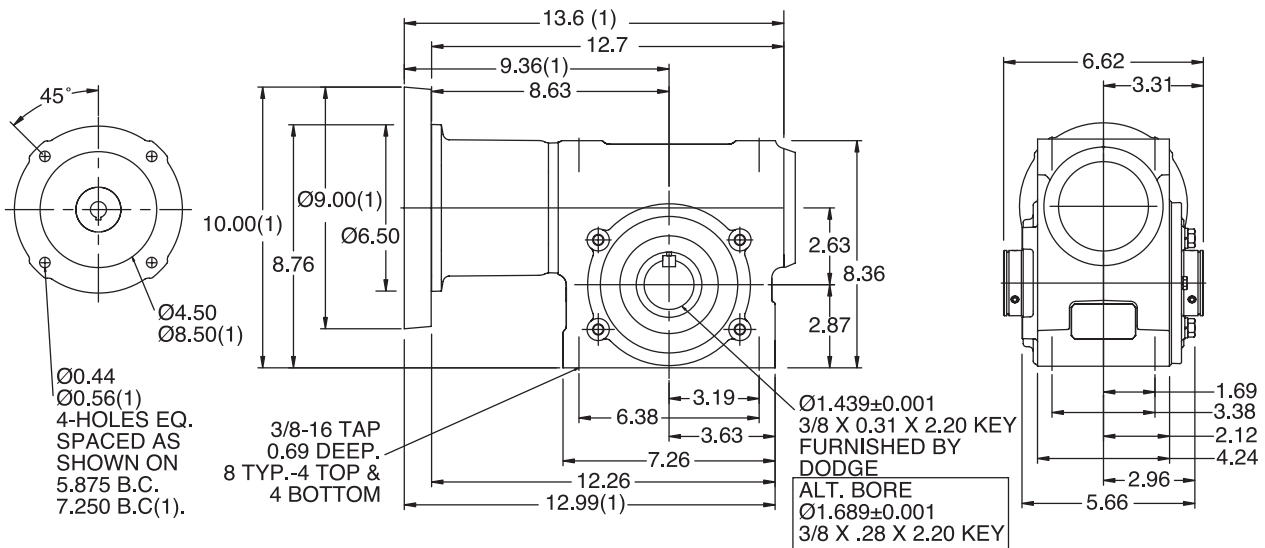
TIGEAR-2 Reducers With 3-Piece Coupled Input - Size 26

SOLID OUTPUT

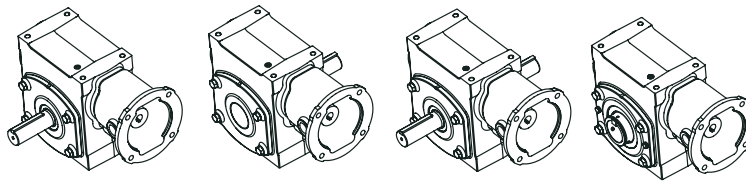


(1) DIMENSIONS APPLY TO 180 FRAME MOTOR ADAPTER

HOLLOW OUTPUT



OUTPUT SHAFT CONFIGURATIONS



L

R

LR

H or HA



RATINGS/DIMENSIONS

TIGEAR-2 Reducers With Quill Input - Size 30

Ratio	Output RPM	Rating Data 1750 Input RPM		Part Number			Shaft Position
				56C	140TC	180TC	
5	350	Mechanical Input Hp	10.84		30Q05L14	30Q05L18	L
		Thermal Input Hp	12.53		30Q05R14	30Q05R18	R
		Output Torque (lb in.)	1849		30Q05LR14	30Q05LR18	LR
		Mechanical Output Hp	10.27		30Q05H14	30Q05H18	HOLLOW
		Output OHL (lbs.)	1330				
6.5	269	Available Upon Request					
7.5	233	Mechanical Input Hp	8.74		30Q07L14	30Q07L18	L
		Thermal Input Hp	9.64		30Q07R14	30Q07R18	R
		Output Torque (lb in.)	2171		30Q07LR14	30Q07LR18	LR
		Mechanical Output Hp	8.15		30Q07H14	30Q07H18	HOLLOW
		Output OHL (lbs.)	1540				
10	175	Mechanical Input Hp	7.11		30Q10L14	30Q10L18	L
		Thermal Input Hp	7.85		30Q10R14	30Q10R18	R
		Output Torque (lb in.)	2347		30Q10LR14	30Q10LR18	LR
		Mechanical Output Hp	6.52		30Q10H14	30Q10H18	HOLLOW
		Output OHL (lbs.)	1720				
15	117	Mechanical Input Hp	5.00		30Q15L14	30Q15L18	L
		Thermal Input Hp	5.72		30Q15R14	30Q15R18	R
		Output Torque (lb in.)	2371		30Q15LR14	30Q15LR18	LR
		Mechanical Output Hp	4.39		30Q15H14	30Q15H18	HOLLOW
		Output OHL (lbs.)	2300				
20	88	Mechanical Input Hp	3.81	30Q20L56	30Q20L14	30Q20L18	L
		Thermal Input Hp	4.52	30Q20R56	30Q20R14	30Q20R18	R
		Output Torque (lb in.)	2345	30Q20LR56	30Q20LR14	30Q20LR18	LR
		Mechanical Output Hp	3.26	30Q20H56	30Q20H14	30Q20H18	HOLLOW
		Output OHL (lbs.)	2300				
25	70	Mechanical Input Hp	3.05	30Q25L56	30Q25L14	30Q25L18	L
		Thermal Input Hp	3.90	30Q25R56	30Q25R14	30Q25R18	R
		Output Torque (lb in.)	2284	30Q25LR56	30Q25LR14	30Q25LR18	LR
		Mechanical Output Hp	2.54	30Q25H56	30Q25H14	30Q25H18	HOLLOW
		Output OHL (lbs.)	2300				
30	58	Mechanical Input Hp	2.75	30Q30L56	30Q30L14		L
		Thermal Input Hp	3.58	30Q30R56	30Q30R14		R
		Output Torque (lb in.)	2417	30Q30LR56	30Q30LR14		LR
		Mechanical Output Hp	2.24	30Q30H56	30Q30H14		HOLLOW
		Output OHL (lbs.)	2300				
40	44	Mechanical Input Hp	2.09	30Q40L56	30Q40L14		L
		Thermal Input Hp	2.87	30Q40R56	30Q40R14		R
		Output Torque (lb in.)	2324	30Q40LR56	30Q40LR14		LR
		Mechanical Output Hp	1.61	30Q40H56	30Q40H14		HOLLOW
		Output OHL (lbs.)	2300				
50	35	Mechanical Input Hp	1.75	30Q50L56	30Q50L14		L
		Thermal Input Hp	2.34	30Q50R56	30Q50R14		R
		Output Torque (lb in.)	2257	30Q50LR56	30Q50LR14		LR
		Mechanical Output Hp	1.25	30Q50H56	30Q50H14		HOLLOW
		Output OHL (lbs.)	2300				
60	29	Mechanical Input Hp	1.50	30Q60L56	30Q60L14		L
		Thermal Input Hp	2.01	30Q60R56	30Q60R14		R
		Output Torque (lb in.)	2138	30Q60LR56	30Q60LR14		LR
		Mechanical Output Hp	0.99	30Q60H56	30Q60H14		HOLLOW
		Output OHL (lbs.)	2300				

Note: Reducers are shipped without a mounting base. Order bolt-on base kit **30BASE** if required.
Refer to page G4-118 for hollow bore bushing selections

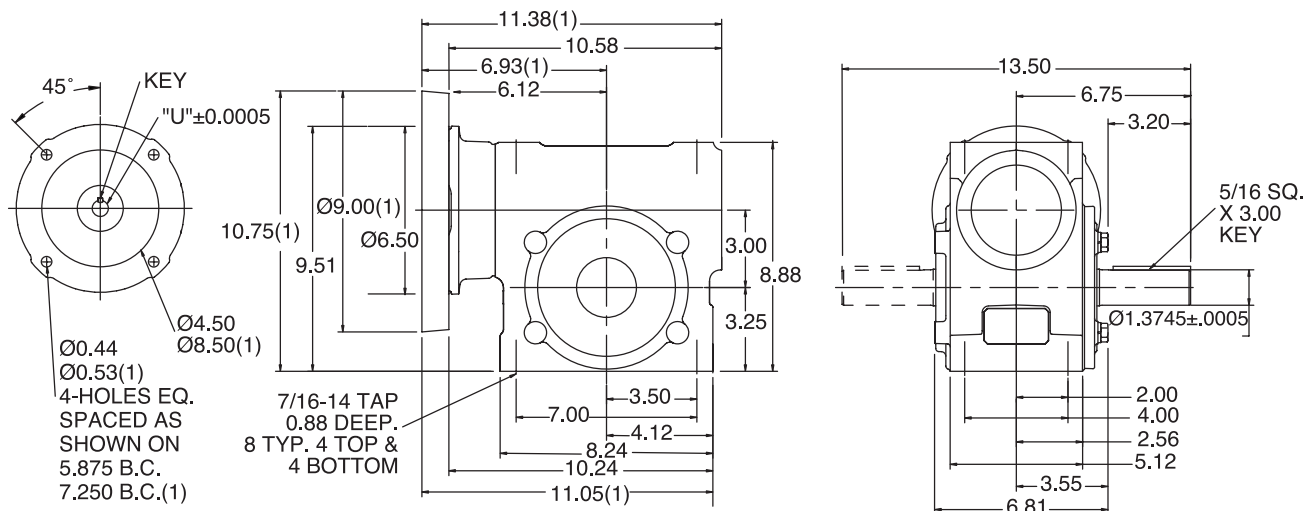
FEATURES/BENEFITS PAGE G4-2	SPECIFICATION PAGE G4-8	NOMENCLATURE PAGE G4-9	WASHDOWN PRODUCT PAGE G4-80
--------------------------------	----------------------------	---------------------------	--------------------------------



RATINGS/DIMENSIONS

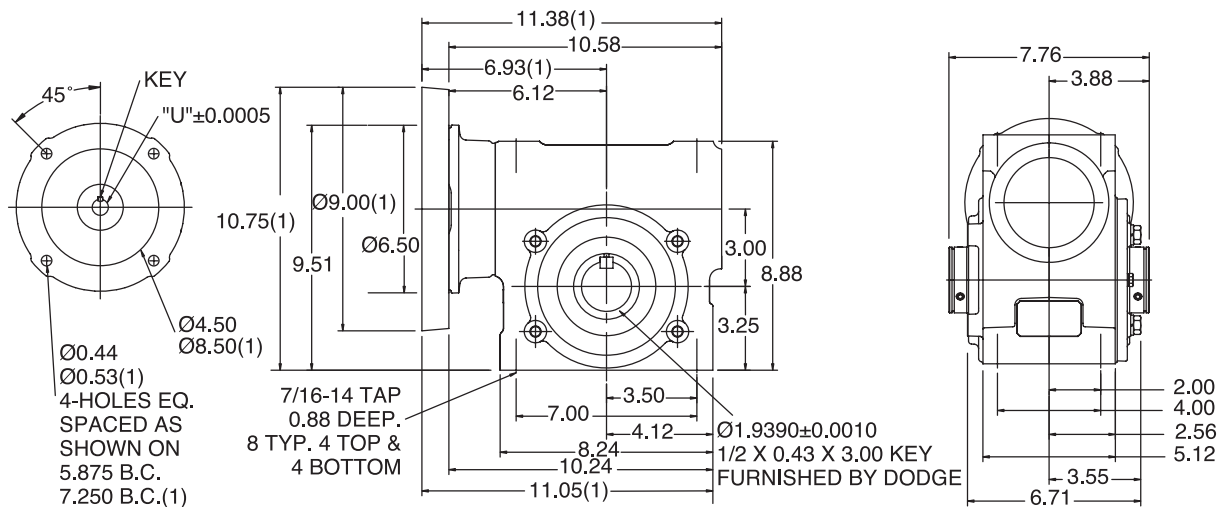
TIGEAR-2 Reducers With Quill Input - Size 30

SOLID OUTPUT

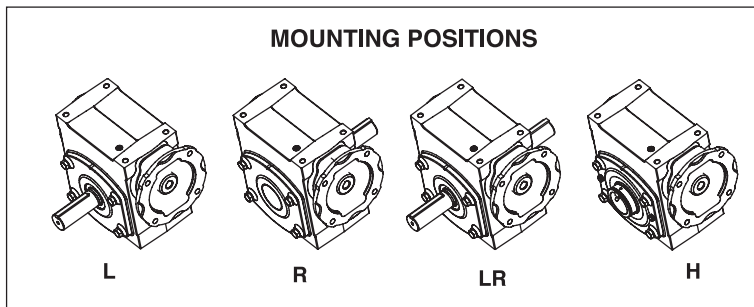


(1) DIMENSIONS APPLY TO 180 FRAME MOTOR ADAPTER

HOLLOW OUTPUT



MOTOR FRAME	"U"	KEY
48Y 56C	.6255	3/16 SQ. x 1.50 KEY
140TC 160ATC	.8755	3/16 SQ. x 1.50 KEY
180TC 180ATC	1.1255	1/4 SQ. x 2.00 KEY





RATINGS/DIMENSIONS

TIGEAR-2 Reducers With Separate Input - Size 30

Ratio	Output RPM	Rating Data 1750 Input RPM		Separate Reducer	Shaft Position	Optional Motor Adapter Kit		
						56C	140TC	180TC
5	350	Mechanical Input Hp	10.84	30S05L	L	2330MTR14	2330MTR18	
		Thermal Input Hp	12.53	30S05R	R			
		Output Torque (lb in.)	1849	30S05LR	LR			
		Mechanical Output Hp	10.27	30S05H	HOLLOW			
		Output OHL (lbs.)	1330					
6.5	269	Available Upon Request						
7.5	233	Mechanical Input Hp	8.74	30S07L	L	2330MTR14	2330MTR18	
		Thermal Input Hp	9.64	30S07R	R			
		Output Torque (lb in.)	2171	30S07LR	LR			
		Mechanical Output Hp	8.15	30S07H	HOLLOW			
		Output OHL (lbs.)	1540					
10	175	Mechanical Input Hp	7.11	30S10L	L	2330MTR14	2330MTR18	
		Thermal Input Hp	7.85	30S10R	R			
		Output Torque (lb in.)	2347	30S10LR	LR			
		Mechanical Output Hp	6.52	30S10H	HOLLOW			
		Output OHL (lbs.)	1720					
15	117	Mechanical Input Hp	5.00	30S15L	L	2330MTR14	2330MTR18	
		Thermal Input Hp	5.72	30S15R	R			
		Output Torque (lb in.)	2371	30S15LR	LR			
		Mechanical Output Hp	4.39	30S15H	HOLLOW			
		Output OHL (lbs.)	2300					
20	88	Mechanical Input Hp	3.81	30S20L	L	2330MTR56	2330MTR14	2330MTR18
		Thermal Input Hp	4.52	30S20R	R			
		Output Torque (lb in.)	2345	30S20LR	LR			
		Mechanical Output Hp	3.26	30S20H	HOLLOW			
		Output OHL (lbs.)	2300					
25	70	Mechanical Input Hp	3.05	30S25L	L	2330MTR56	2330MTR14	2330MTR18
		Thermal Input Hp	3.90	30S25R	R			
		Output Torque (lb in.)	2284	30S25LR	LR			
		Mechanical Output Hp	2.54	30S25H	HOLLOW			
		Output OHL (lbs.)	2300					
30	58	Mechanical Input Hp	2.75	30S30L	L	2330MTR56	2330MTR14	
		Thermal Input Hp	3.58	30S30R	R			
		Output Torque (lb in.)	2417	30S30LR	LR			
		Mechanical Output Hp	2.24	30S30H	HOLLOW			
		Output OHL (lbs.)	2300					
40	44	Mechanical Input Hp	2.09	30S40L	L	2330MTR56	2330MTR14	
		Thermal Input Hp	2.87	30S40R	R			
		Output Torque (lb in.)	2324	30S40LR	LR			
		Mechanical Output Hp	1.61	30S40H	HOLLOW			
		Output OHL (lbs.)	2300					
50	35	Mechanical Input Hp	1.75	30S50L	L	2330MTR56	2330MTR14	
		Thermal Input Hp	2.34	30S50R	R			
		Output Torque (lb in.)	2257	30S50LR	LR			
		Mechanical Output Hp	1.25	30S50H	HOLLOW			
		Output OHL (lbs.)	2300					
60	29	Mechanical Input Hp	1.50	30S60L	L	2330MTR56	2330MTR14	
		Thermal Input Hp	2.01	30S60R	R			
		Output Torque (lb in.)	2138	30S60LR	LR			
		Mechanical Output Hp	0.99	30S60H	HOLLOW			
		Output OHL (lbs.)	2300					
All Ratios		Input OHL (lbs)	280	One diameter from seal surface				

Note: TIGEAR-2 separate reducers cannot be used with the old Adaptable TIGEAR motor adapter kits. Refer to page G4-118 for hollow bore bushing selections

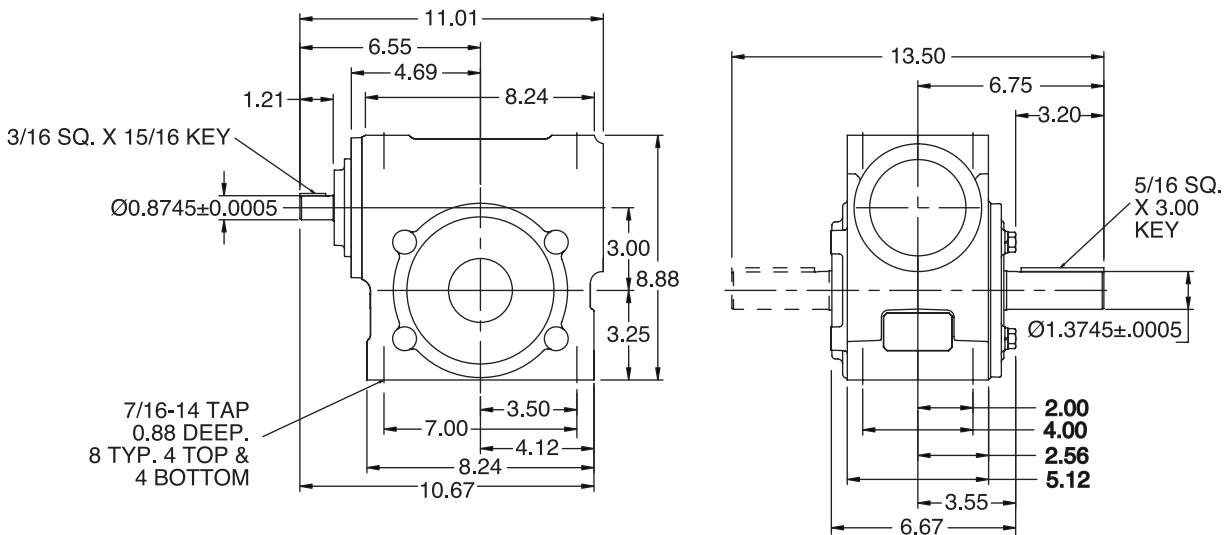
FEATURES/BENEFITS PAGE G4-2	SPECIFICATION PAGE G4-8	NOMENCLATURE PAGE G4-9	RATINGS/DIMENSIONS PAGE G4-16
--------------------------------	----------------------------	---------------------------	----------------------------------



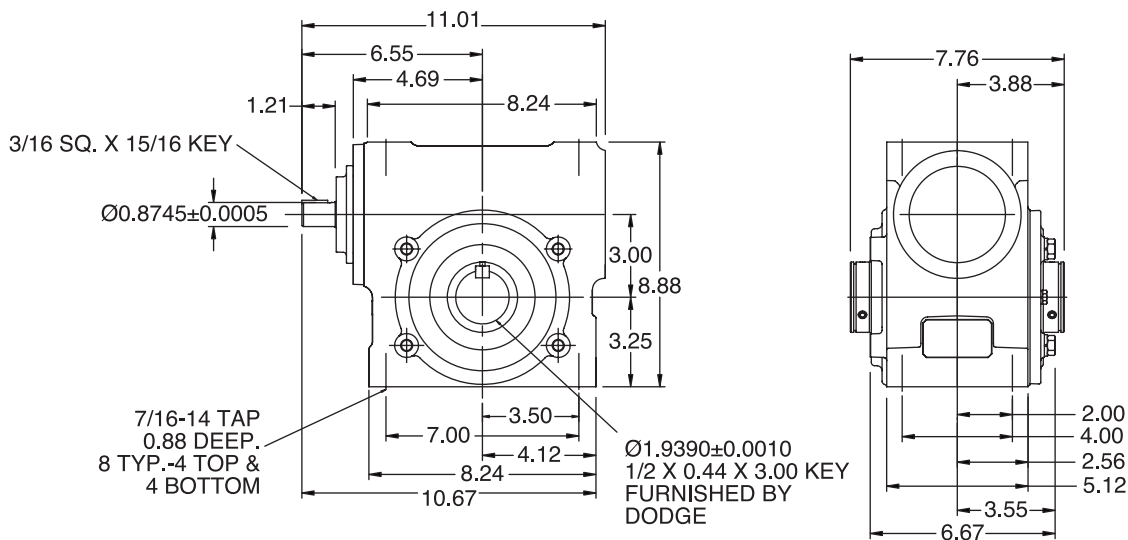
RATINGS/DIMENSIONS

TIGEAR-2 Reducers With Separate Input - Size 30

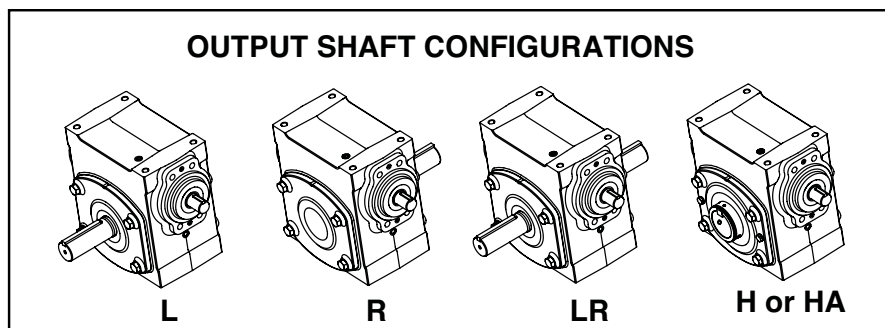
SOLID OUTPUT



HOLLOW OUTPUT



OUTPUT SHAFT CONFIGURATIONS



FEATURES/BENEFITS PAGE G4-2	SPECIFICATION PAGE G4-8	NOMENCLATURE PAGE G4-9	RATINGS/DIMENSIONS PAGE G4-16
--------------------------------	----------------------------	---------------------------	----------------------------------



RATINGS/DIMENSIONS

TIGEAR-2 Reducers With 3-Piece Coupled Input - Size 30

3-Piece Coupled units include a Separate reducer, 3-piece coupling and motor adapter housing assembled together.

These assemblies are normally "made to order" with a 5 day standard lead time.

Ratio	Output RPM	Rating Data		Part Number			Shaft Position
		1750 Input RPM		56C	140TC	180TC	
5	350	Mechanical Input Hp	10.84		30A05L14	30A05L18	L
		Thermal Input Hp	12.53		30A05R14	30A05R18	R
		Output Torque (lb in.)	1849		30A05LR14	30A05LR18	LR
		Mechanical Output Hp	10.27		30A05H14	30A05H18	HOLLOW
		Output OHL (lbs.)	1330				
6.5	269	Available Upon Request					
7.5	233	Mechanical Input Hp	8.74		30A07L14	30A07L18	L
		Thermal Input Hp	9.64		30A07R14	30A07R18	R
		Output Torque (lb in.)	2171		30A07LR14	30A07LR18	LR
		Mechanical Output Hp	8.15		30A07H14	30A07H18	HOLLOW
		Output OHL (lbs.)	1540				
10	175	Mechanical Input Hp	7.11		30A10L14	30A10L18	L
		Thermal Input Hp	7.85		30A10R14	30A10R18	R
		Output Torque (lb in.)	2347		30A10LR14	30A10LR18	LR
		Mechanical Output Hp	6.52		30A10H14	30A10H18	HOLLOW
		Output OHL (lbs.)	1720				
15	117	Mechanical Input Hp	5.00		30A15L14	30A15L18	L
		Thermal Input Hp	5.72		30A15R14	30A15R18	R
		Output Torque (lb in.)	2371		30A15LR14	30A15LR18	LR
		Mechanical Output Hp	4.39		30A15H14	30A15H18	HOLLOW
		Output OHL (lbs.)	2300				
20	88	Mechanical Input Hp	3.81	30A20L56	30A20L14	30A20L18	L
		Thermal Input Hp	4.52	30A20R56	30A20R14	30A20R18	R
		Output Torque (lb in.)	2345	30A20LR56	30A20LR14	30A20LR18	LR
		Mechanical Output Hp	3.26	30A20H56	30A20H14	30A20H18	HOLLOW
		Output OHL (lbs.)	2300				
25	70	Mechanical Input Hp	3.05	30A25L56	30A25L14	30A25L18	L
		Thermal Input Hp	3.90	30A25R56	30A25R14	30A25R18	R
		Output Torque (lb in.)	2284	30A25LR56	30A25LR14	30A25LR18	LR
		Mechanical Output Hp	2.54	30A25H56	30A25H14	30A25H18	HOLLOW
		Output OHL (lbs.)	2300				
30	58	Mechanical Input Hp	2.75	30A30L56	30A30L14		L
		Thermal Input Hp	3.58	30A30R56	30A30R14		R
		Output Torque (lb in.)	2417	30A30LR56	30A30LR14		LR
		Mechanical Output Hp	2.24	30A30H56	30A30H14		HOLLOW
		Output OHL (lbs.)	2300				
40	44	Mechanical Input Hp	2.09	30A40L56	30A40L14		L
		Thermal Input Hp	2.87	30A40R56	30A40R14		R
		Output Torque (lb in.)	2324	30A40LR56	30A40LR14		LR
		Mechanical Output Hp	1.61	30A40H56	30A40H14		HOLLOW
		Output OHL (lbs.)	2300				
50	35	Mechanical Input Hp	1.75	30A50L56	30A50L14		L
		Thermal Input Hp	2.34	30A50R56	30A50R14		R
		Output Torque (lb in.)	2257	30A50LR56	30A50LR14		LR
		Mechanical Output Hp	1.25	30A50H56	30A50H14		HOLLOW
		Output OHL (lbs.)	2300				
60	29	Mechanical Input Hp	1.50	30A60L56	30A60L14		L
		Thermal Input Hp	2.01	30A60R56	30A60R14		R
		Output Torque (lb in.)	2138	30A60LR56	30A60LR14		LR
		Mechanical Output Hp	0.99	30A60H56	30A60H14		HOLLOW
		Output OHL (lbs.)	2300				

Note: Reducers are shipped without a mounting base. Order bolt-on base kit **30BASE** if required. Refer to page G4-118 for hollow bore bushing selections

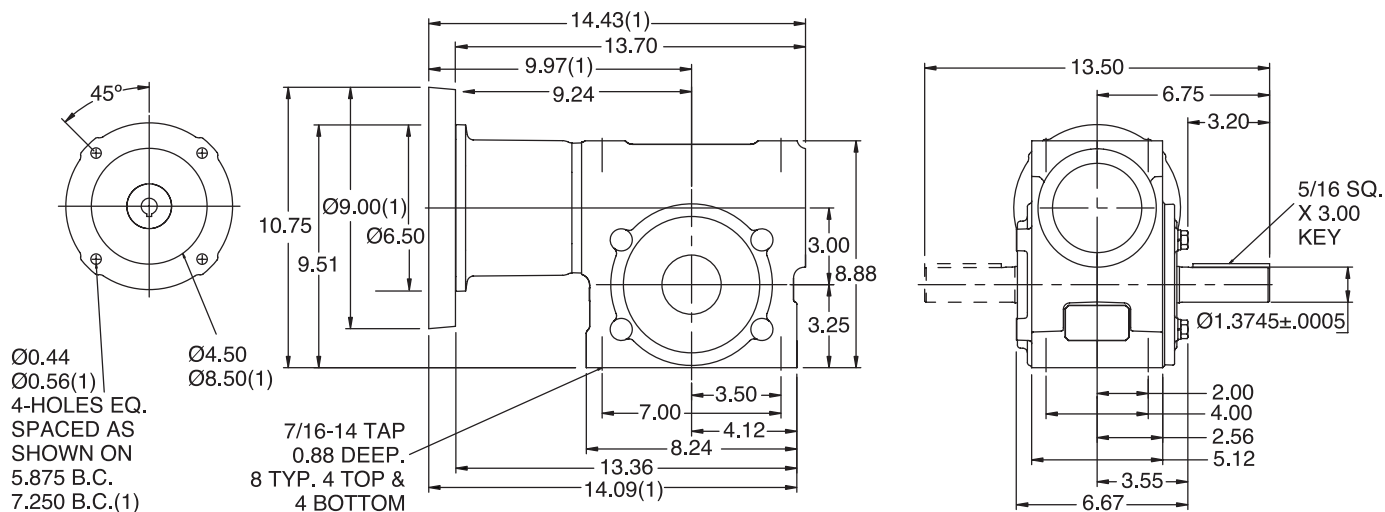
FEATURES/BENEFITS PAGE G4-2	SPECIFICATION PAGE G4-8	NOMENCLATURE PAGE G4-9	RATINGS/DIMENSIONS PAGE G4-16
--------------------------------	----------------------------	---------------------------	----------------------------------



RATINGS/DIMENSIONS

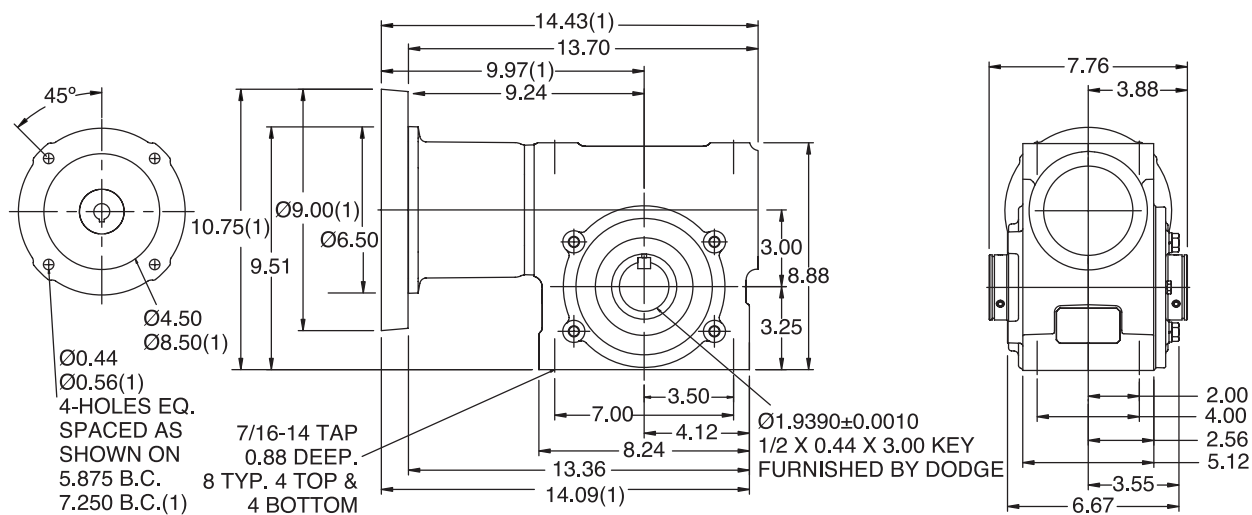
TIGEAR-2 Reducers With 3-Piece Coupled Input - Size 30

SOLID OUTPUT

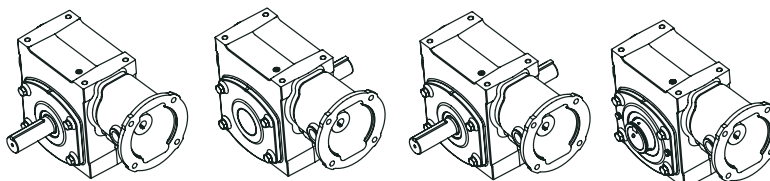


(1) DIMENSIONS APPLY TO 180 FRAME MOTOR ADAPTER

HOLLOW OUTPUT



OUTPUT SHAFT CONFIGURATIONS



L

R

LR

H

FEATURES/BENEFITS PAGE G4-2	SPECIFICATION PAGE G4-8	NOMENCLATURE PAGE G4-9	RATINGS/DIMENSIONS PAGE G4-16
--------------------------------	----------------------------	---------------------------	----------------------------------



RATINGS/DIMENSIONS

TIGEAR-2 Reducers With Quill Input - Size 35

Ratio	Output RPM	Rating Data		Part Number				Shaft Position
		1750 Input RPM		56C	140TC	180TC	210TC	
5	350	Mechanical Input Hp	15.18		35Q05L14	35Q05L18	35Q05L21	L
		Thermal Input Hp	15.51		35Q05R14	35Q05R18	35Q05R21	R
		Output Torque (lb in.)	2593		35Q05LR14	35Q05LR18	35Q05LR21	LR
		Mechanical Output Hp	14.40		35Q05H14	35Q05H18	35Q05H21	HOLLOW
		Output OHL (lbs.)	2120					
7.5	233	Mechanical Input Hp	12.24		35Q07L14	35Q07L18	35Q07L21	L
		Thermal Input Hp	12.52		35Q07R14	35Q07R18	35Q07R21	R
		Output Torque (lb in.)	3054		35Q07LR14	35Q07LR18	35Q07LR21	LR
		Mechanical Output Hp	11.46		35Q07H14	35Q07H18	35Q07H21	HOLLOW
		Output OHL (lbs.)	2430					
10	175	Mechanical Input Hp	10.00		35Q10L14	35Q10L18	35Q10L21	L
		Thermal Input Hp	10.63		35Q10R14	35Q10R18	35Q10R21	R
		Output Torque (lb in.)	3310		35Q10LR14	35Q10LR18	35Q10LR21	LR
		Mechanical Output Hp	9.19		35Q10H14	35Q10H18	35Q10H21	HOLLOW
		Output OHL (lbs.)	2700					
12.7	138	Mechanical Input Hp	8.51		35Q12L14	35Q12L18	35Q12L21	L
		Thermal Input Hp	8.75		35Q12R14	35Q12R18	35Q12R21	R
		Output Torque (lb in.)	3530		35Q12LR14	35Q12LR18	35Q12LR21	LR
		Mechanical Output Hp	7.74		35Q12H14	35Q12H18	35Q12H21	HOLLOW
		Output OHL (lbs.)	2760					
15	117	Mechanical Input Hp	7.44		35Q15L14	35Q15L18		L
		Thermal Input Hp	7.56		35Q15R14	35Q15R18		R
		Output Torque (lb in.)	3599		35Q15LR14	35Q15LR18		LR
		Mechanical Output Hp	6.66		35Q15H14	35Q15H18		HOLLOW
		Output OHL (lbs.)	2760					
18	97	Available Upon Request						
20	88	Mechanical Input Hp	5.79		35Q20L14	35Q20L18		L
		Thermal Input Hp	5.97		35Q20R14	35Q20R18		R
		Output Torque (lb in.)	3620		35Q20LR14	35Q20LR18		LR
		Mechanical Output Hp	5.03		35Q20H14	35Q20H18		HOLLOW
		Output OHL (lbs.)	2760					
25	70	Mechanical Input Hp	4.72		35Q25L14	35Q25L18		L
		Thermal Input Hp	5.10		35Q25R14	35Q25R18		R
		Output Torque (lb in.)	3586		35Q25LR14	35Q25LR18		LR
		Mechanical Output Hp	3.98		35Q25H14	35Q25H18		HOLLOW
		Output OHL (lbs.)	2760					
30	58	Mechanical Input Hp	4.15	35Q30L56	35Q30L14	35Q30L18		L
		Thermal Input Hp	4.43	35Q30R56	35Q30R14	35Q30R18		R
		Output Torque (lb in.)	3682	35Q30LR56	35Q30LR14	35Q30LR18		LR
		Mechanical Output Hp	3.41	35Q30H56	35Q30H14	35Q30H18		HOLLOW
		Output OHL (lbs.)	2760					
40	44	Mechanical Input Hp	3.23	35Q40L56	35Q40L14	35Q40L18		L
		Thermal Input Hp	3.54	35Q40R56	35Q40R14	35Q40R18		R
		Output Torque (lb in.)	3622	35Q40LR56	35Q40LR14	35Q40LR18		LR
		Mechanical Output Hp	2.51	35Q40H56	35Q40H14	35Q40H18		HOLLOW
		Output OHL (lbs.)	2760					
50	35	Mechanical Input Hp	2.64	35Q50L56	35Q50L14			L
		Thermal Input Hp	2.94	35Q50R56	35Q50R14			R
		Output Torque (lb in.)	3485	35Q50LR56	35Q50LR14			LR
		Mechanical Output Hp	1.94	35Q50H56	35Q50H14			HOLLOW
		Output OHL (lbs.)	2760					
60	29	Mechanical Input Hp	2.19	35Q60L56	35Q60L14			L
		Thermal Input Hp	2.43	35Q60R56	35Q60R14			R
		Output Torque (lb in.)	3194	35Q60LR56	35Q60LR14			LR
		Mechanical Output Hp	1.48	35Q60H56	35Q60H14			HOLLOW
		Output OHL (lbs.)	2760					

Note: Reducers are shipped without a mounting base. Order bolt-on base kit **35BASE** if required. Refer to page G4-118 for hollow bore bushing selections

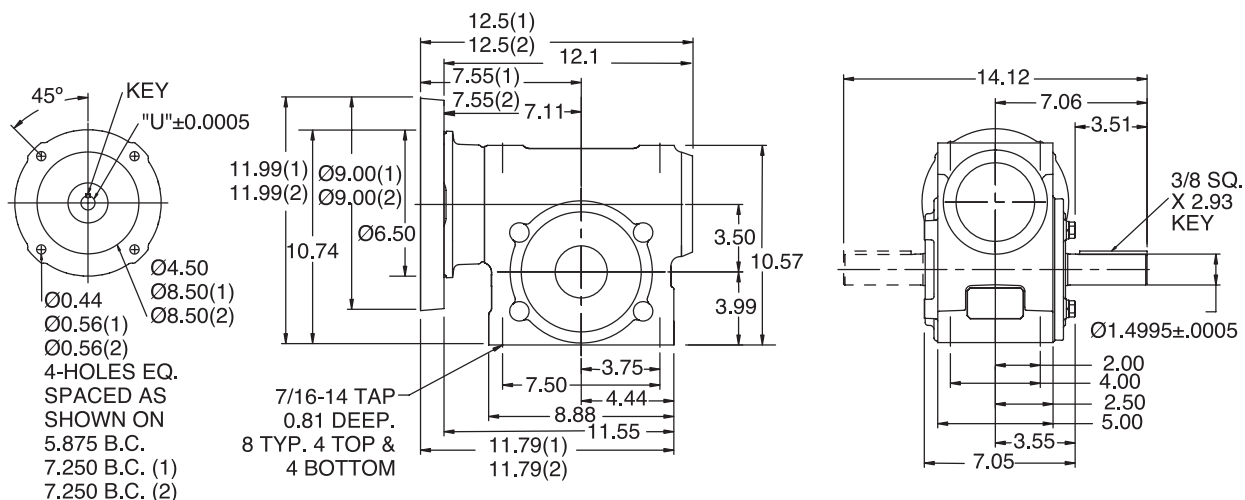
FEATURES/BENEFITS PAGE G4-2	SPECIFICATION PAGE G4-8	NOMENCLATURE PAGE G4-9	WASHDOWN PRODUCT PAGE G4-80
--------------------------------	----------------------------	---------------------------	--------------------------------



RATINGS/DIMENSIONS

TIGEAR-2 Reducers With Quill Input - Size 35

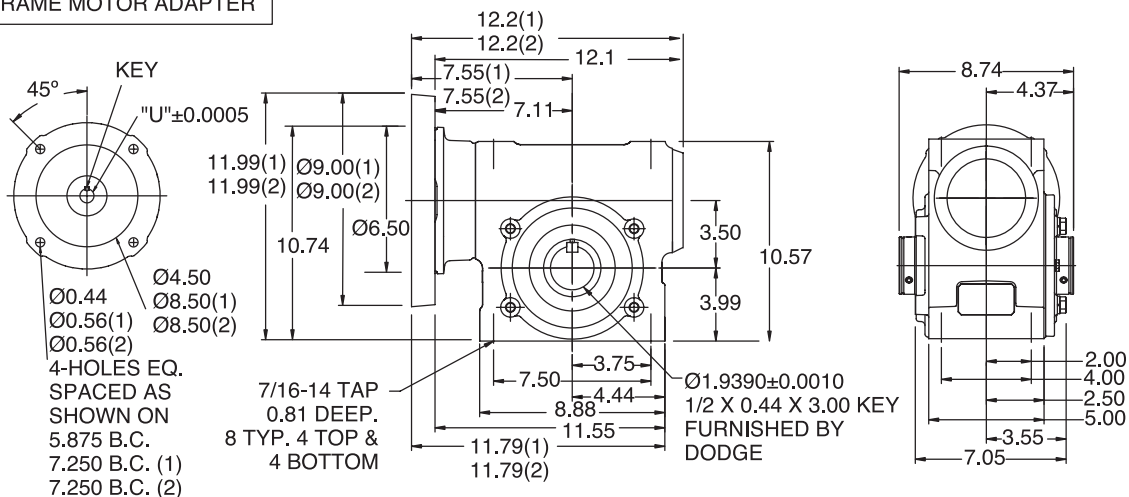
SOLID OUTPUT



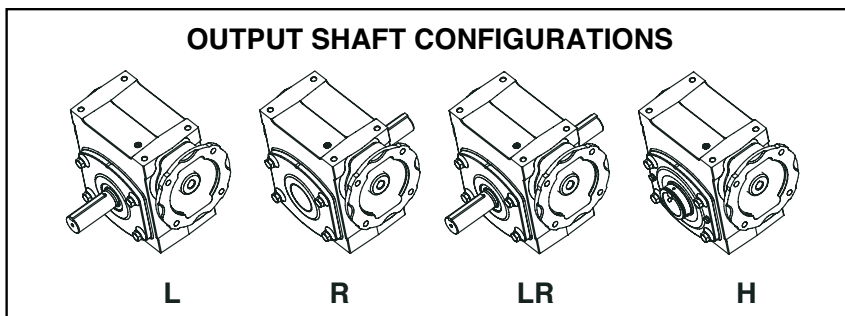
(1) DIMENSIONS APPLY TO
180 FRAME MOTOR ADAPTER

(2) DIMENSIONS APPLY TO
210 FRAME MOTOR ADAPTER

HOLLOW OUTPUT



MOTOR FRAME	DIM "U"	KEY
48Y 56C	Ø0.626	3/16 SQ. X 2.43 KEY
140TC 160ATC	Ø0.876	3/16 SQ X 2.43 KEY
180TC 180ATC	Ø1.126	1/4 SQ. X 2.36 KEY
210TC 210ATC	Ø1.376	5/16 SQ X 2.57 KEY





RATINGS/DIMENSIONS

TIGEAR-2 Reducers With Separate Input - Size 35

Ratio	Output RPM	Rating Data 1750 Input RPM		Separate Reducer	Shaft Position	Optional Motor Adapter Kit			
						56C	140TC	180TC	210TC
5	350	Mechanical Input Hp	15.18	35S05L	L	35MTR14	35MTR18	35MTR21	
		Thermal Input Hp	15.51	35S05R	R				
		Output Torque (lb in.)	2593	35S05LR	LR				
		Mechanical Output Hp	14.4	35S05H	HOLLOW				
		Output OHL (lbs.)	2120						
7.5	233	Mechanical Input Hp	12.24	35S07L	L	35MTR14	35MTR18	35MTR21	
		Thermal Input Hp	12.52	35S07R	R				
		Output Torque (lb in.)	3054	35S07LR	LR				
		Mechanical Output Hp	11.46	35S07H	HOLLOW				
		Output OHL (lbs.)	2430						
10	175	Mechanical Input Hp	10	35S10L	L	35MTR14	35MTR18	35MTR21	
		Thermal Input Hp	10.63	35S10R	R				
		Output Torque (lb in.)	3310	35S10LR	LR				
		Mechanical Output Hp	9.19	35S10H	HOLLOW				
		Output OHL (lbs.)	2700						
12.7	138	Mechanical Input Hp	8.51	35S12L	L	35MTR14	35MTR18	35MTR21	
		Thermal Input Hp	8.75	35S12R	R				
		Output Torque (lb in.)	3530	35S12LR	LR				
		Mechanical Output Hp	7.74	35S12H	HOLLOW				
		Output OHL (lbs.)	2760						
15	117	Mechanical Input Hp	7.44	35S15L	L	35MTR14	35MTR18		
		Thermal Input Hp	7.56	35S15R	R				
		Output Torque (lb in.)	3599	35S15LR	LR				
		Mechanical Output Hp	6.66	35S15H	HOLLOW				
		Output OHL (lbs.)	2760						
18	97	Available Upon Request							
20	88	Mechanical Input Hp	5.79	35S20L	L	35MTR14	35MTR18		
		Thermal Input Hp	5.97	35S20R	R				
		Output Torque (lb in.)	3620	35S20LR	LR				
		Mechanical Output Hp	5.03	35S20H	HOLLOW				
		Output OHL (lbs.)	2760						
25	70	Mechanical Input Hp	4.72	35S25L	L	35MTR14	35MTR18		
		Thermal Input Hp	5.1	35S25R	R				
		Output Torque (lb in.)	3586	35S25LR	LR				
		Mechanical Output Hp	3.98	35S25H	HOLLOW				
		Output OHL (lbs.)	2760						
30	58	Mechanical Input Hp	4.15	35S30L	L	35MTR56	35MTR14	35MTR18	
		Thermal Input Hp	4.43	35S30R	R				
		Output Torque (lb in.)	3682	35S30LR	LR				
		Mechanical Output Hp	3.41	35S30H	HOLLOW				
		Output OHL (lbs.)	2760						
40	44	Mechanical Input Hp	3.23	35S40L	L	35MTR56	35MTR14	35MTR18	
		Thermal Input Hp	3.54	35S40R	R				
		Output Torque (lb in.)	3622	35S40LR	LR				
		Mechanical Output Hp	2.51	35S40H	HOLLOW				
		Output OHL (lbs.)	2760						
50	35	Mechanical Input Hp	2.64	35S50L	L	35MTR56	35MTR14		
		Thermal Input Hp	2.94	35S50R	R				
		Output Torque (lb in.)	3485	35S50LR	LR				
		Mechanical Output Hp	1.94	35S50H	HOLLOW				
		Output OHL (lbs.)	2760						
60	29	Mechanical Input Hp	2.19	35S60L	L	35MTR56	35MTR14		
		Thermal Input Hp	2.43	35S60R	R				
		Output Torque (lb in.)	3194	35S60LR	LR				
		Mechanical Output Hp	1.48	35S60H	HOLLOW				
		Output OHL (lbs.)	2760						
All Ratios		Input OHL (lbs)	330	One diameter from seal surface					

Note: TIGEAR-2 separate reducers cannot be used with the old Adaptable TIGEAR motor adapter kits. Refer to page G4-118 for hollow bore bushing selections

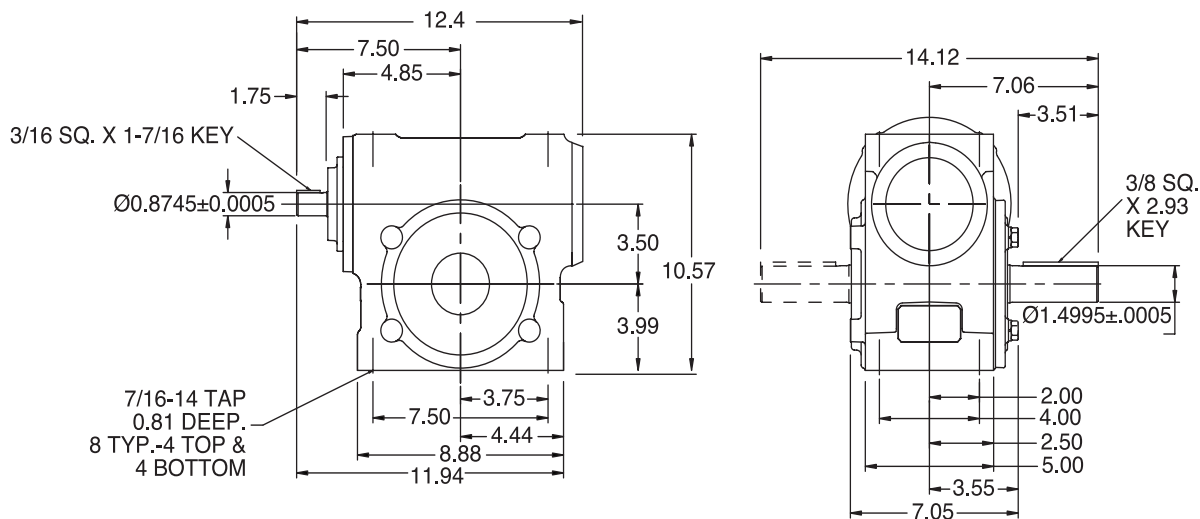
FEATURES/BENEFITS PAGE G4-2	SPECIFICATION PAGE G4-8	NOMENCLATURE PAGE G4-9	RATINGS/DIMENSIONS PAGE G4-16
--------------------------------	----------------------------	---------------------------	----------------------------------



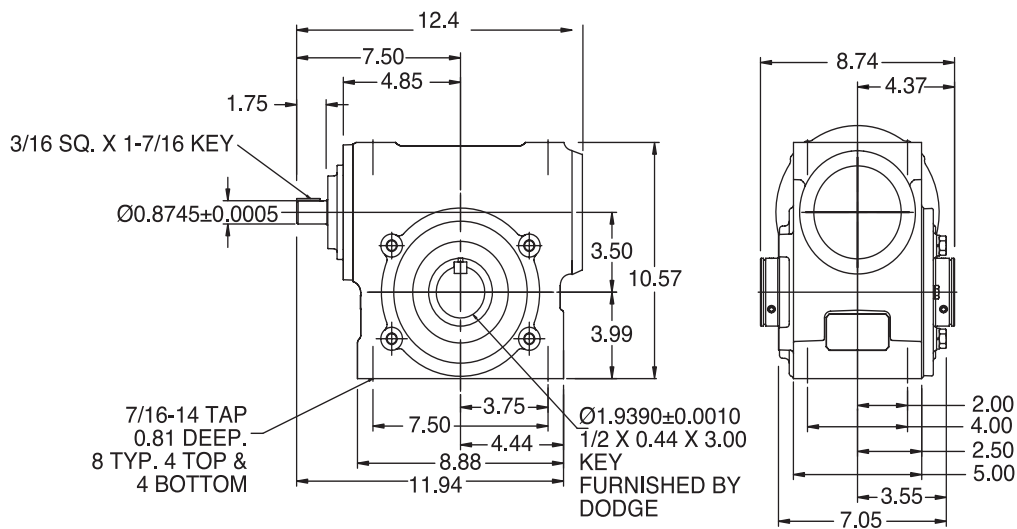
RATINGS/DIMENSIONS

TIGEAR-2 Reducers With Separate Input - Size 35

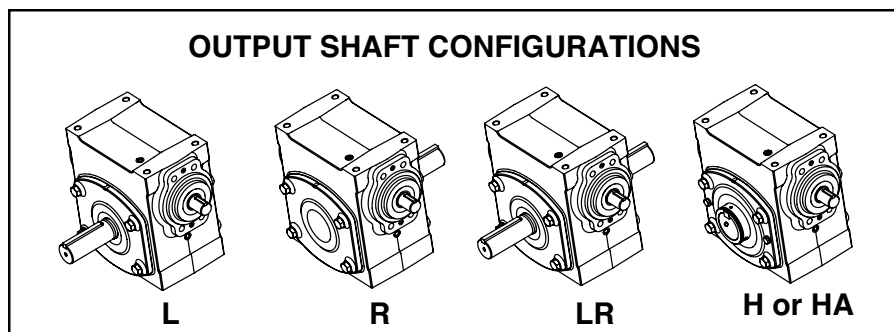
SOLID OUTPUT



HOLLOW OUTPUT



OUTPUT SHAFT CONFIGURATIONS



FEATURES/BENEFITS PAGE G4-2	SPECIFICATION PAGE G4-8	NOMENCLATURE PAGE G4-9	RATINGS/DIMENSIONS PAGE G4-16
--------------------------------	----------------------------	---------------------------	----------------------------------



RATINGS/DIMENSIONS

TIGEAR-2 Reducers With 3-Piece Coupled Input - Size 35

3-Piece Coupled units include a Separate reducer, 3-piece coupling and motor adapter housing assembled together. These assemblies are normally "made to order" with a 5 day standard lead time.

Ratio	Output RPM	Rating Data 1750 Input RPM		Part Number				Shaft Position
				56C	140TC	180TC	210TC	
5	350	Mechanical Input Hp	15.18		35A05L14	35A05L18	35A05L21	L
		Thermal Input Hp	15.51		35A05R14	35A05R18	35A05R21	R
		Output Torque (lb in.)	2593		35A05LR14	35A05LR18	35A05LR21	LR
		Mechanical Output Hp	14.40		35A05H14	35A05H18	35A05H21	HOLLOW
		Output OHL (lbs.)	2120					
7.5	233	Mechanical Input Hp	12.24		35A07L14	35A07L18	35A07L21	L
		Thermal Input Hp	12.52		35A07R14	35A07R18	35A07R21	R
		Output Torque (lb in.)	3054		35A07LR14	35A07LR18	35A07LR21	LR
		Mechanical Output Hp	11.46		35A07H14	35A07H18	35A07H21	HOLLOW
		Output OHL (lbs.)	2430					
10	175	Mechanical Input Hp	10.00		35A10L14	35A10L18	35A10L21	L
		Thermal Input Hp	10.63		35A10R14	35A10R18	35A10R21	R
		Output Torque (lb in.)	3310		35A10LR14	35A10LR18	35A10LR21	LR
		Mechanical Output Hp	9.19		35A10H14	35A10H18	35A10H21	HOLLOW
		Output OHL (lbs.)	2700					
12.7	138	Mechanical Input Hp	8.51		35A12L14	35A12L18	35A12L21	L
		Thermal Input Hp	8.75		35A12R14	35A12R18	35A12R21	R
		Output Torque (lb in.)	3530		35A12LR14	35A12LR18	35A12LR21	LR
		Mechanical Output Hp	7.74		35A12H14	35A12H18	35A12H21	HOLLOW
		Output OHL (lbs.)	2760					
15	117	Mechanical Input Hp	7.44		35A15L14	35A15L18		L
		Thermal Input Hp	7.56		35A15R14	35A15R18		R
		Output Torque (lb in.)	3599		35A15LR14	35A15LR18		LR
		Mechanical Output Hp	6.66		35A15H14	35A15H18		HOLLOW
		Output OHL (lbs.)	2760					
18	97	Available Upon Request						
20	88	Mechanical Input Hp	5.79		35A20L14	35A20L18		L
		Thermal Input Hp	5.97		35A20R14	35A20R18		R
		Output Torque (lb in.)	3620		35A20LR14	35A20LR18		LR
		Mechanical Output Hp	5.03		35A20H14	35A20H18		HOLLOW
		Output OHL (lbs.)	2760					
25	70	Mechanical Input Hp	4.72		35A25L14	35A25L18		L
		Thermal Input Hp	5.10		35A25R14	35A25R18		R
		Output Torque (lb in.)	3586		35A25LR14	35A25LR18		LR
		Mechanical Output Hp	3.98		35A25H14	35A25H18		HOLLOW
		Output OHL (lbs.)	2760					
30	58	Mechanical Input Hp	4.15	35A30L56	35A30L14	35A30L18		L
		Thermal Input Hp	4.43	35A30R56	35A30R14	35A30R18		R
		Output Torque (lb in.)	3682	35A30LR56	35A30LR14	35A30LR18		LR
		Mechanical Output Hp	3.41	35A30H56	35A30H14	35A30H18		HOLLOW
		Output OHL (lbs.)	2760					
40	44	Mechanical Input Hp	3.23	35A40L56	35A40L14	35A40L18		L
		Thermal Input Hp	3.54	35A40R56	35A40R14	35A40R18		R
		Output Torque (lb in.)	3622	35A40LR56	35A40LR14	35A40LR18		LR
		Mechanical Output Hp	2.51	35A40H56	35A40H14	35A40H18		HOLLOW
		Output OHL (lbs.)	2760					
50	35	Mechanical Input Hp	2.64	35A50L56	35A50L14			L
		Thermal Input Hp	2.94	35A50R56	35A50R14			R
		Output Torque (lb in.)	3485	35A50LR56	35A50LR14			LR
		Mechanical Output Hp	1.94	35A50H56	35A50H14			HOLLOW
		Output OHL (lbs.)	2760					
60	29	Mechanical Input Hp	2.19	35A60L56	35A60L14			L
		Thermal Input Hp	2.43	35A60R56	35A60R14			R
		Output Torque (lb in.)	3194	35A60LR56	35A60LR14			LR
		Mechanical Output Hp	1.48	35A60H56	35A60H14			HOLLOW
		Output OHL (lbs.)	2760					

Note: Reducers are shipped without a mounting base. Order bolt-on base kit **35BASE** if required. Refer to page G4-118 for hollow bore bushing selections

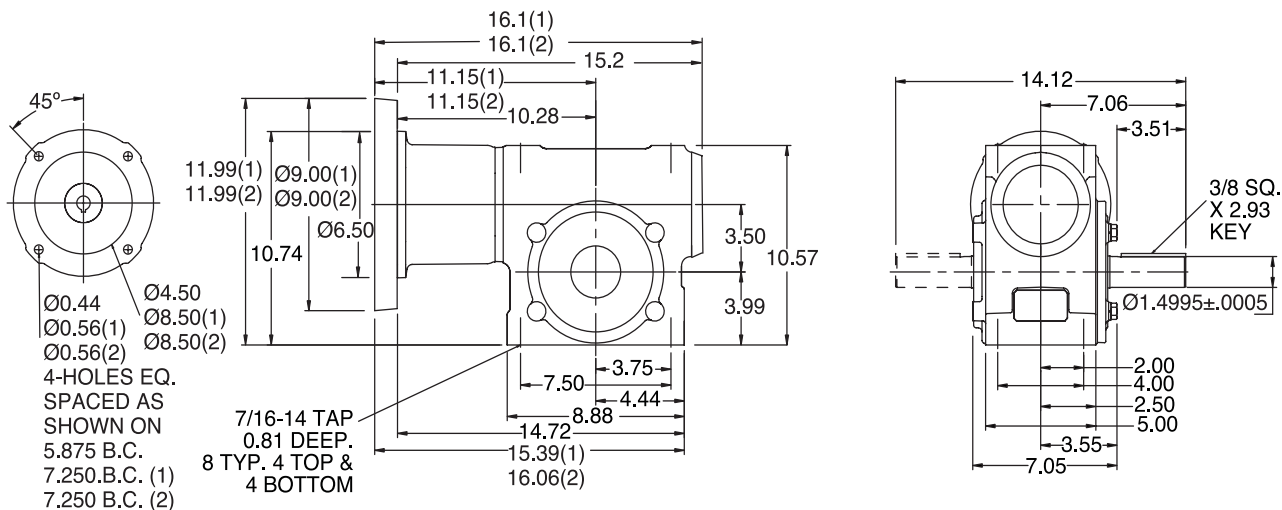
FEATURES/BENEFITS PAGE G4-2	SPECIFICATION PAGE G4-8	NOMENCLATURE PAGE G4-9	RATINGS/DIMENSIONS PAGE G4-16
--------------------------------	----------------------------	---------------------------	----------------------------------



RATINGS/DIMENSIONS

TIGEAR-2 Reducers With 3-Piece Coupled Input - Size 35

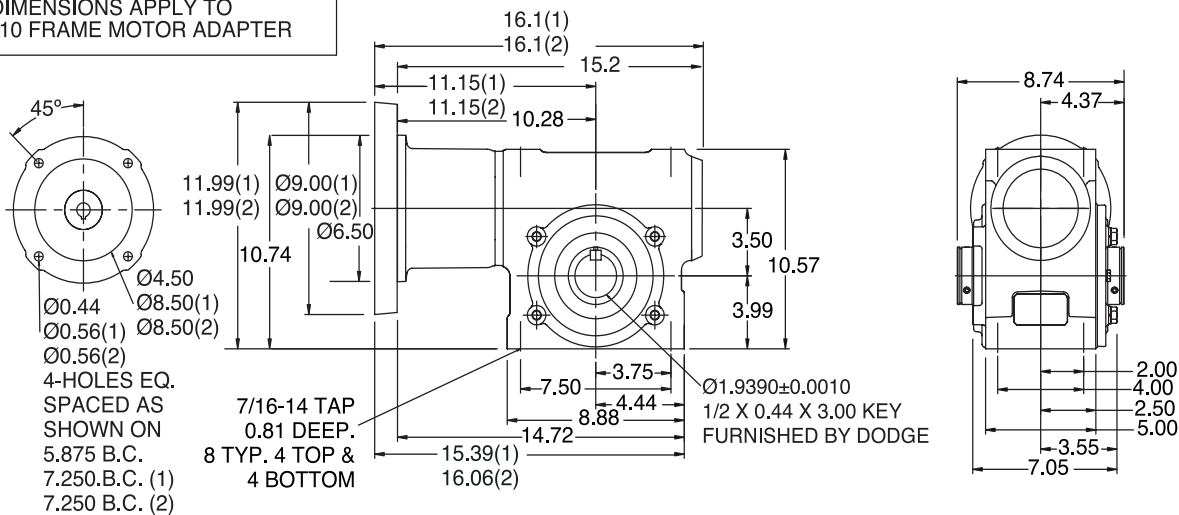
SOLID OUTPUT



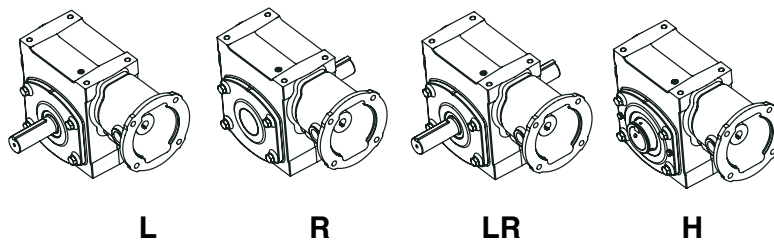
(1) DIMENSIONS APPLY TO 180 FRAME MOTOR ADAPTER

(2) DIMENSIONS APPLY TO 210 FRAME MOTOR ADAPTER

HOLLOW OUTPUT



OUTPUT SHAFT CONFIGURATIONS





RATINGS/DIMENSIONS

TIGEAR-2 Reducers With Quill Input - Size 40

Ratio	Output RPM	Rating Data 1750 Input RPM	Part Number				Shaft Position	
			140TC	180TC	210TC	250TC		
5	350	Mechanical Input Hp	20.24			40Q05L21	40Q05L25	L
		Thermal Input Hp	22.20			40Q05R21	40Q05R25	R
		Output Torque (lb in.)	3449			40Q05LR21	40Q05LR25	LR
		Mechanical Output Hp	19.15			40Q05H21	40Q05H25	HOLLOW
		Output OHL (lbs.)	2860					
7.5	233	Mechanical Input Hp	16.38			40Q07L21	40Q07L25	L
		Thermal Input Hp	17.56			40Q07R21	40Q07R25	R
		Output Torque (lb in.)	4071			40Q07LR21	40Q07LR25	LR
		Mechanical Output Hp	15.27			40Q07H21	40Q07H25	HOLLOW
		Output OHL (lbs.)	3280					
10	175	Mechanical Input Hp	13.33			40Q10L21		L
		Thermal Input Hp	14.96			40Q10R21		R
		Output Torque (lb in.)	4418			40Q10LR21		LR
		Mechanical Output Hp	12.27			40Q10H21		HOLLOW
		Output OHL (lbs.)	3640					
12.7	138	Available Upon Request						
15	117	Mechanical Input Hp	10.01			40Q15L18	40Q15L21	L
		Thermal Input Hp	10.16			40Q15R18	40Q15R21	R
		Output Torque (lb in.)	4804			40Q15LR18	40Q15LR21	LR
		Mechanical Output Hp	8.89			40Q15H18	40Q15H21	HOLLOW
		Output OHL (lbs.)	4190					
20	88	Mechanical Input Hp	7.75			40Q20L18	40Q20L21	L
		Thermal Input Hp	8.14			40Q20R18	40Q20R21	R
		Output Torque (lb in.)	4822			40Q20LR18	40Q20LR21	LR
		Mechanical Output Hp	6.69			40Q20H18	40Q20H21	HOLLOW
		Output OHL (lbs.)	4300					
25	70	Mechanical Input Hp	6.35			40Q25L18		L
		Thermal Input Hp	6.45			40Q25R18		R
		Output Torque (lb in.)	4722			40Q25LR18		LR
		Mechanical Output Hp	5.25			40Q25H18		HOLLOW
		Output OHL (lbs.)	4300					
30	58	Mechanical Input Hp	5.61			40Q30L18		L
		Thermal Input Hp	5.78			40Q30R18		R
		Output Torque (lb in.)	4898			40Q30LR18		LR
		Mechanical Output Hp	4.53			40Q30H18		HOLLOW
		Output OHL (lbs.)	4300					
40	44	Mechanical Input Hp	4.43	40Q40L14	40Q40L18			L
		Thermal Input Hp	4.50	40Q40R14	40Q40R18			R
		Output Torque (lb in.)	4800	40Q40LR14	40Q40LR18			LR
		Mechanical Output Hp	3.33	40Q40H14	40Q40H18			HOLLOW
		Output OHL (lbs.)	4300					
50	35	Mechanical Input Hp	3.63	40Q50L14	40Q50L18			L
		Thermal Input Hp	3.66	40Q50R14	40Q50R18			R
		Output Torque (lb in.)	4559	40Q50LR14	40Q50LR18			LR
		Mechanical Output Hp	2.53	40Q50H14	40Q50H18			HOLLOW
		Output OHL (lbs.)	4300					
60	29	Mechanical Input Hp	3.00	40Q60L14	40Q60L18			L
		Thermal Input Hp	3.21	40Q60R14	40Q60R18			R
		Output Torque (lb in.)	4166	40Q60LR14	40Q60LR18			LR
		Mechanical Output Hp	1.93	40Q60H14	40Q60H18			HOLLOW
		Output OHL (lbs.)	4300					

Note: Reducers are shipped without a mounting base. Order bolt-on base kit **40BASE** if required. Refer to page G4-118 for hollow bore bushing selections

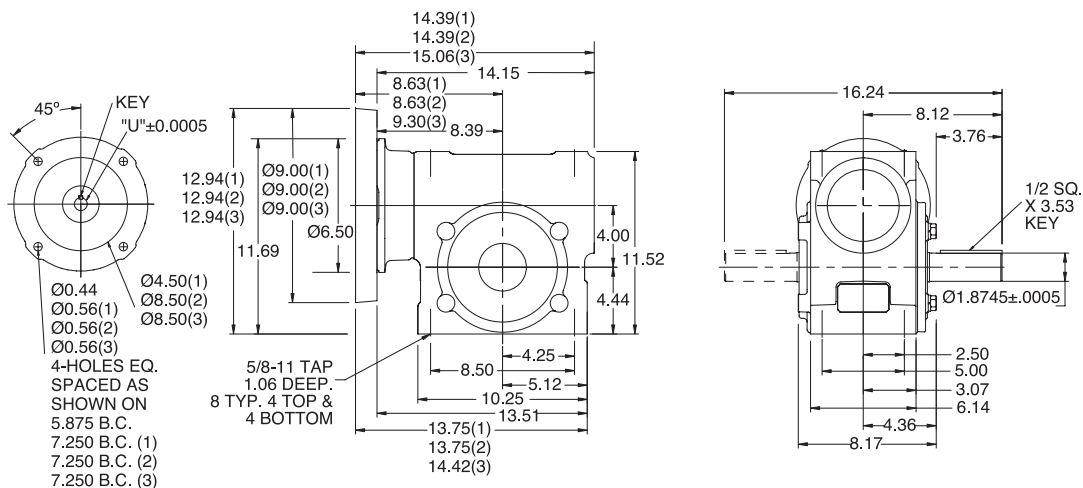
FEATURES/BENEFITS PAGE G4-2	SPECIFICATION PAGE G4-8	NOMENCLATURE PAGE G4-9	WASHDOWN PRODUCT PAGE G4-80
--------------------------------	----------------------------	---------------------------	--------------------------------



RATINGS/DIMENSIONS

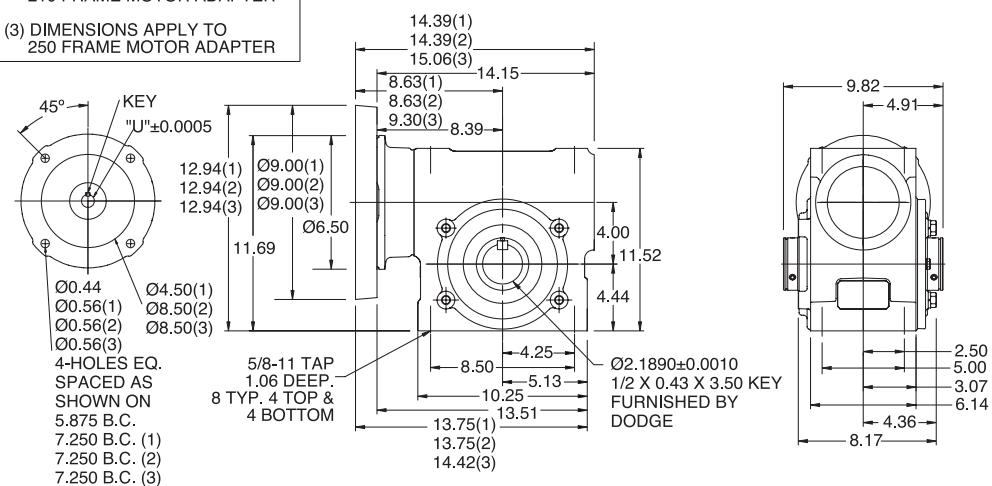
TIGEAR-2 Reducers With Quill Input - Size 40

SOLID OUTPUT

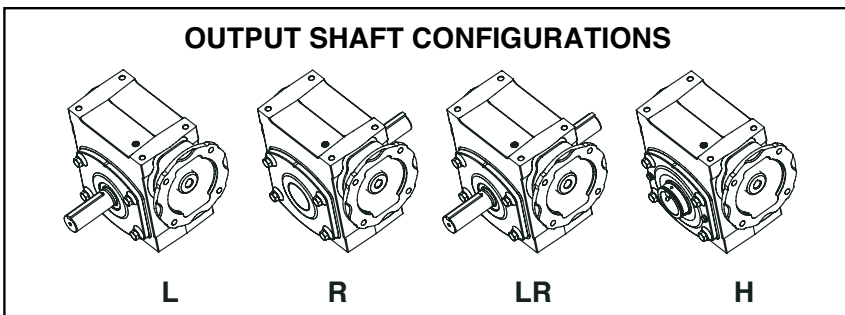


- (1) DIMENSIONS APPLY TO 180 FRAME MOTOR ADAPTER
- (2) DIMENSIONS APPLY TO 210 FRAME MOTOR ADAPTER
- (3) DIMENSIONS APPLY TO 250 FRAME MOTOR ADAPTER

HOLLOW OUTPUT



MOTOR FRAME	DIM "U"	KEY
140TC 160ATC	Ø0.876	3/16 SQ X 2.75 KEY
180TC 180ATC	Ø1.126	1/4 SQ. X 2.96 KEY
210TC 210ATC	Ø1.376	5/16 SQ X 3.11 KEY
250TC 250ATC	Ø1.626	3/8 SQ X 3.38 KEY





RATINGS/DIMENSIONS

TIGEAR-2 Reducers With Separate Input - Size 40

Ratio	Output RPM	Rating Data 1750 Input RPM		Separate Reducer	Shaft Position	Optional Motor Adapter Kit			
						140TC	180TC	210TC	250TC
5	350	Mechanical Input Hp	20.24	40S05L	L			4047MTR21	4047MTR25
		Thermal Input Hp	22.2	40S05R	R				
		Output Torque (lb in.)	3449	40S05LR	LR				
		Mechanical Output Hp	19.15	40S05H	HOLLOW				
		Output OHL (lbs.)	2860						
7.5	233	Mechanical Input Hp	16.38	40S07L	L			4047MTR21	4047MTR25
		Thermal Input Hp	17.56	40S07R	R				
		Output Torque (lb in.)	4071	40S07LR	LR				
		Mechanical Output Hp	15.27	40S07H	HOLLOW				
		Output OHL (lbs.)	3280						
10	175	Mechanical Input Hp	13.33	40S10L	L			4047MTR21	
		Thermal Input Hp	14.96	40S10R	R				
		Output Torque (lb in.)	4418	40S10LR	LR				
		Mechanical Output Hp	12.27	40S10H	HOLLOW				
		Output OHL (lbs.)	3640						
12.7	138	Available Upon Request							
15	117	Mechanical Input Hp	10.01	40S15L	L			4047MTR18	4047MTR21
		Thermal Input Hp	10.16	40S15R	R				
		Output Torque (lb in.)	4804	40S15LR	LR				
		Mechanical Output Hp	8.89	40S15H	HOLLOW				
		Output OHL (lbs.)	4190						
20	88	Mechanical Input Hp	7.75	40S20L	L			4047MTR18	4047MTR21
		Thermal Input Hp	8.14	40S20R	R				
		Output Torque (lb in.)	4822	40S20LR	LR				
		Mechanical Output Hp	6.69	40S20H	HOLLOW				
		Output OHL (lbs.)	4300						
25	70	Mechanical Input Hp	6.35	40S25L	L			4047MTR18	
		Thermal Input Hp	6.45	40S25R	R				
		Output Torque (lb in.)	4722	40S25LR	LR				
		Mechanical Output Hp	5.25	40S25H	HOLLOW				
		Output OHL (lbs.)	4300						
30	58	Mechanical Input Hp	5.61	40S30L	L			4047MTR18	
		Thermal Input Hp	5.78	40S30R	R				
		Output Torque (lb in.)	4898	40S30LR	LR				
		Mechanical Output Hp	4.53	40S30H	HOLLOW				
		Output OHL (lbs.)	4300						
40	44	Mechanical Input Hp	4.43	40S40L	L			4047MTR14	4047MTR18
		Thermal Input Hp	4.50	40S40R	R				
		Output Torque (lb in.)	4800	40S40LR	LR				
		Mechanical Output Hp	3.33	40S40H	HOLLOW				
		Output OHL (lbs.)	4300						
50	35	Mechanical Input Hp	3.63	40S50L	L			4047MTR14	4047MTR18
		Thermal Input Hp	3.66	40S50R	R				
		Output Torque (lb in.)	4559	40S50LR	LR				
		Mechanical Output Hp	2.53	40S50H	HOLLOW				
		Output OHL (lbs.)	4300						
60	29	Mechanical Input Hp	3.00	40S60L	L			4047MTR14	4047MTR18
		Thermal Input Hp	3.21	40S60R	R				
		Output Torque (lb in.)	4166	40S60LR	LR				
		Mechanical Output Hp	1.93	40S60H	HOLLOW				
		Output OHL (lbs.)	4300						
All Ratios		Input OHL (lbs)	400	One diameter from seal surface					

Note: Reducers are shipped without a mounting base. Order bolt-on base kit **40BASE** if required.
Refer to page G4-118 for hollow bore bushing selections

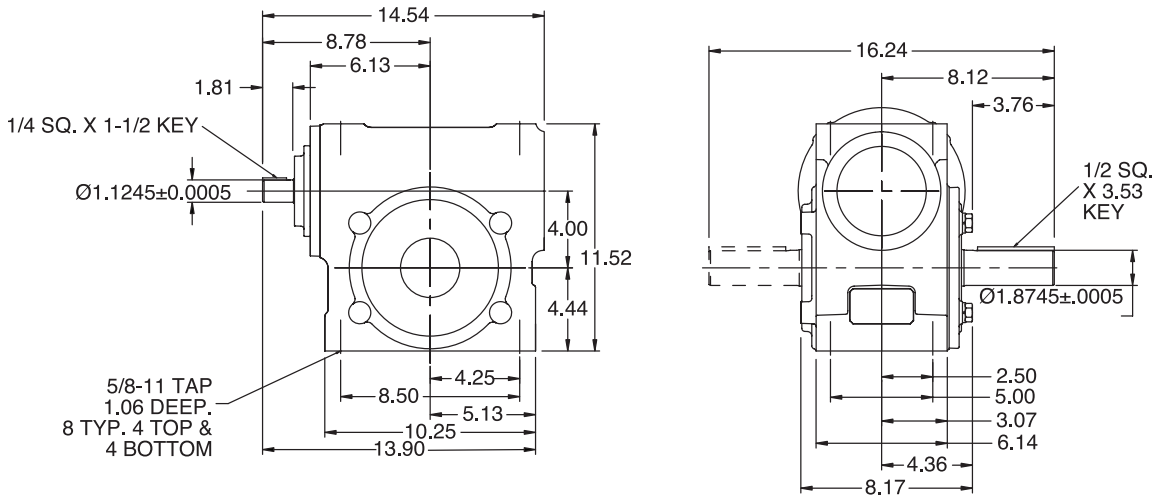
FEATURES/BENEFITS PAGE G4-2	SPECIFICATION PAGE G4-8	NOMENCLATURE PAGE G4-9	RATINGS/DIMENSIONS PAGE G4-16
--------------------------------	----------------------------	---------------------------	----------------------------------



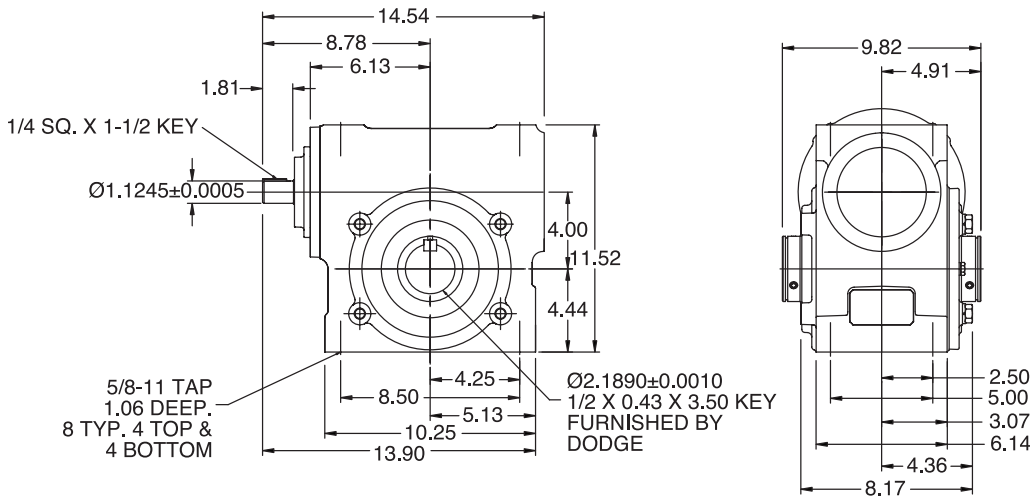
RATINGS/DIMENSIONS

Tigear-2 Reducers With Separate Input - Size 40

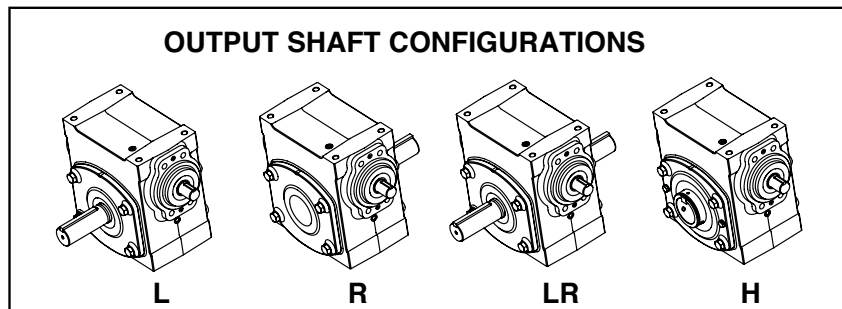
SOLID OUTPUT



HOLLOW OUTPUT



OUTPUT SHAFT CONFIGURATIONS



FEATURES/BENEFITS PAGE G4-2	SPECIFICATION PAGE G4-8	NOMENCLATURE PAGE G4-9	RATINGS/DIMENSIONS PAGE G4-16
--------------------------------	----------------------------	---------------------------	----------------------------------



RATINGS/DIMENSIONS

TIGEAR-2 Reducers With 3-Piece Coupled Input - Size 40

3-Piece Coupled units include a Separate reducer, 3-piece coupling and motor adapter housing assembled together.

These assemblies are normally "made to order" with a 5 day standard lead time.

Ratio	Output RPM	Rating Data 1750 Input RPM		Part Number				Shaft Position
				140TC	180TC	210TC	250TC	
5	350	Mechanical Input Hp	20.24			40A05L21	40A05L25	L
		Thermal Input Hp	22.20			40A05R21	40A05R25	R
		Output Torque (lb in.)	3449			40A05LR21	40A05LR25	LR
		Mechanical Output Hp	19.15			40A05H21	40A05H25	HOLLOW
		Output OHL (lbs.)	2860					
7.5	233	Mechanical Input Hp	16.38			40A07L21	40A07L25	L
		Thermal Input Hp	17.56			40A07R21	40A07R25	R
		Output Torque (lb in.)	4071			40A07LR21	40A07LR25	LR
		Mechanical Output Hp	15.27			40A07H21	40A07H25	HOLLOW
		Output OHL (lbs.)	3280					
10	175	Mechanical Input Hp	13.33			40A10L21		L
		Thermal Input Hp	14.96			40A10R21		R
		Output Torque (lb in.)	4418			40A10LR21		LR
		Mechanical Output Hp	12.27			40A10H21		HOLLOW
		Output OHL (lbs.)	3640					
12.7	138	Available Upon Request						
15	117	Mechanical Input Hp	10.01		40A15L18	40A15L21		L
		Thermal Input Hp	10.16		40A15R18	40A15R21		R
		Output Torque (lb in.)	4804		40A15LR18	40A15LR21		LR
		Mechanical Output Hp	8.89		40A15H18	40A15H21		HOLLOW
		Output OHL (lbs.)	4190					
20	88	Mechanical Input Hp	7.75		40A20L18	40A20L21		L
		Thermal Input Hp	8.14		40A20R18	40A20R21		R
		Output Torque (lb in.)	4822		40A20LR18	40A20LR21		LR
		Mechanical Output Hp	6.69		40A20H18	40A20H21		HOLLOW
		Output OHL (lbs.)	4300					
25	70	Mechanical Input Hp	6.35		40A25L18			L
		Thermal Input Hp	6.45		40A25R18			R
		Output Torque (lb in.)	4722		40A25LR18			LR
		Mechanical Output Hp	5.25		40A25H18			HOLLOW
		Output OHL (lbs.)	4300					
30	58	Mechanical Input Hp	5.61		40A30L18			L
		Thermal Input Hp	5.78		40A30R18			R
		Output Torque (lb in.)	4898		40A30LR18			LR
		Mechanical Output Hp	4.53		40A30H18			HOLLOW
		Output OHL (lbs.)	4300					
40	44	Mechanical Input Hp	4.43	40A40L14	40A40L18			L
		Thermal Input Hp	4.50	40A40R14	40A40R18			R
		Output Torque (lb in.)	4800	40A40LR14	40A40LR18			LR
		Mechanical Output Hp	3.33	40A40H14	40A40H18			HOLLOW
		Output OHL (lbs.)	4300					
50	35	Mechanical Input Hp	3.63	40A50L14	40A50L18			L
		Thermal Input Hp	3.66	40A50R14	40A50R18			R
		Output Torque (lb in.)	4559	40A50LR14	40A50LR18			LR
		Mechanical Output Hp	2.53	40A50H14	40A50H18			HOLLOW
		Output OHL (lbs.)	4300					
60	29	Mechanical Input Hp	3.00	40A60L14	40A60L18			L
		Thermal Input Hp	3.21	40A60R14	40A60R18			R
		Output Torque (lb in.)	4166	40A60LR14	40A60LR18			LR
		Mechanical Output Hp	1.93	40A60H14	40A60H18			HOLLOW
		Output OHL (lbs.)	4300					

Note: Reducers are shipped without a mounting base. Order bolt-on base kit **40BASE** if required.
Refer to page G4-118 for hollow bore bushing selections

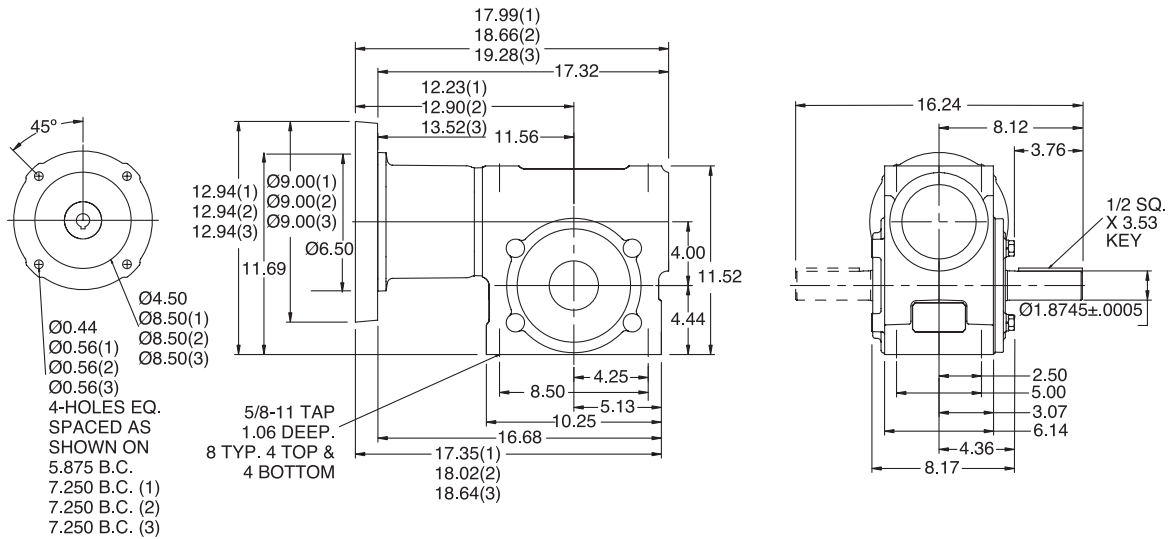
FEATURES/BENEFITS PAGE G4-2	SPECIFICATION PAGE G4-8	NOMENCLATURE PAGE G4-9	RATINGS/DIMENSIONS PAGE G4-16
--------------------------------	----------------------------	---------------------------	----------------------------------



RATINGS/DIMENSIONS

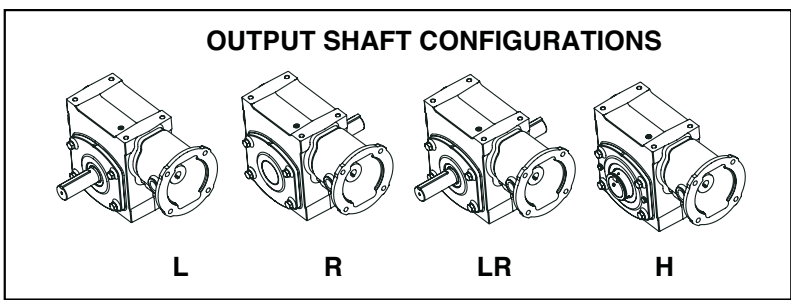
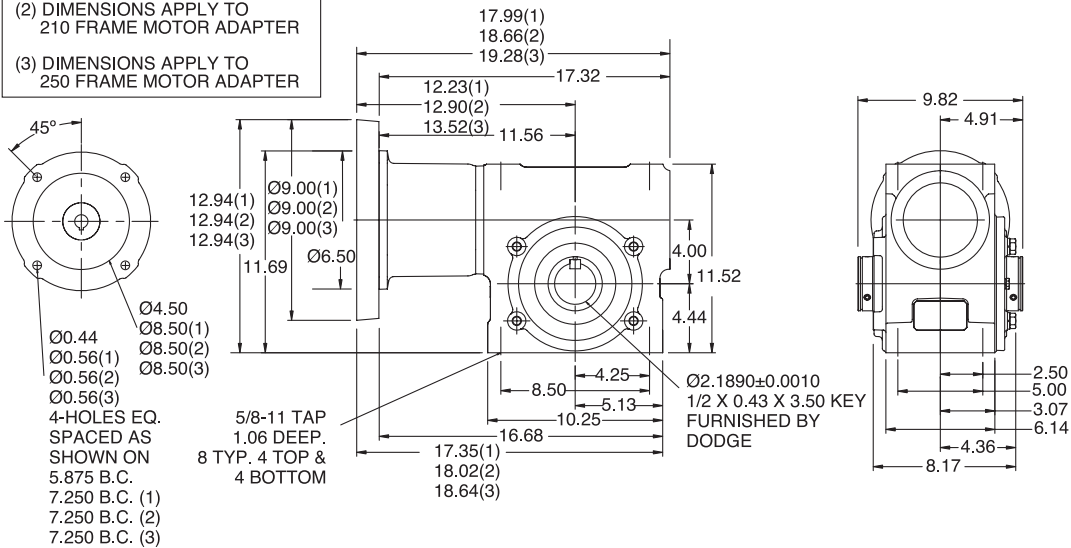
TIGEAR-2 Reducers With 3-Piece Coupled Input - Size 40

SOLID OUTPUT



- (1) DIMENSIONS APPLY TO 180 FRAME MOTOR ADAPTER
- (2) DIMENSIONS APPLY TO 210 FRAME MOTOR ADAPTER
- (3) DIMENSIONS APPLY TO 250 FRAME MOTOR ADAPTER

HOLLOW OUTPUT





RATINGS/DIMENSIONS

TIGEAR-2 Reducers With Quill Input - Size 47

Ratio	Output RPM	Rating Data 1750 Input RPM		Part Number			Shaft
				180TC	210TC	250TC	Position
5	350	Mechanical Input Hp	28.45			47Q05L25	L
		Thermal Input Hp	29.12			47Q05R25	R
		Output Torque (lb in.)	4832			47Q05LR25	LR
		Mechanical Output Hp	26.84			47Q05H25	HOLLOW
		Output OHL (lbs.)	5100				
7.5	233	Mechanical Input Hp	23.35			47Q07L25	L
		Thermal Input Hp	24.37			47Q07R25	R
		Output Torque (lb in.)	5801			47Q07LR25	LR
		Mechanical Output Hp	21.77			47Q07H25	HOLLOW
		Output OHL (lbs.)	5600				
10	175	Mechanical Input Hp	19.27		47Q10L21	47Q10L25	L
		Thermal Input Hp	20.08		47Q10R21	47Q10R25	R
		Output Torque (lb in.)	6390		47Q10LR21	47Q10LR25	LR
		Mechanical Output Hp	17.74		47Q10H21	47Q10H25	HOLLOW
		Output OHL (lbs.)	5600				
15	117	Mechanical Input Hp	14.05		47Q15L21		L
		Thermal Input Hp	14.14		47Q15R21		R
		Output Torque (lb in.)	6739		47Q15LR21		LR
		Mechanical Output Hp	12.47		47Q15H21		HOLLOW
		Output OHL (lbs.)	5600				
20	88	Mechanical Input Hp	10.82		47Q20L21		L
		Thermal Input Hp	10.96		47Q20R21		R
		Output Torque (lb in.)	6659		47Q20LR21		LR
		Mechanical Output Hp	9.24		47Q20H21		HOLLOW
		Output OHL (lbs.)	5600				
25	70	Mechanical Input Hp	8.76	47Q25L18	47Q25L21		L
		Thermal Input Hp	8.09	47Q25R18	47Q25R21		R
		Output Torque (lb in.)	6410	47Q25LR18	47Q25LR21		LR
		Mechanical Output Hp	7.12	47Q25H18	47Q25H21		HOLLOW
		Output OHL (lbs.)	5600				
30	58	Mechanical Input Hp	7.95	47Q30L18			L
		Thermal Input Hp	7.22	47Q30R18			R
		Output Torque (lb in.)	6845	47Q30LR18			LR
		Mechanical Output Hp	6.34	47Q30H18			HOLLOW
		Output OHL (lbs.)	5600				
40	44	Mechanical Input Hp	6.21	47Q40L18			L
		Thermal Input Hp	5.66	47Q40R18			R
		Output Torque (lb in.)	6644	47Q40LR18			LR
		Mechanical Output Hp	4.61	47Q40H18			HOLLOW
		Output OHL (lbs.)	5600				
50	35	Mechanical Input Hp	5.05	47Q50L18			L
		Thermal Input Hp	4.42	47Q50R18			R
		Output Torque (lb in.)	6241	47Q50LR18			LR
		Mechanical Output Hp	3.47	47Q50H18			HOLLOW
		Output OHL (lbs.)	5600				
60	29	Mechanical Input Hp	4.12	47Q60L18			L
		Thermal Input Hp	3.65	47Q60R18			R
		Output Torque (lb in.)	5683	47Q60LR18			LR
		Mechanical Output Hp	2.63	47Q60H18			HOLLOW
		Output OHL (lbs.)	5600				

Note: Reducers are shipped without a mounting base. Order bolt-on base kit **47BASE** if required. Refer to page G4-118 for hollow bore bushing selections

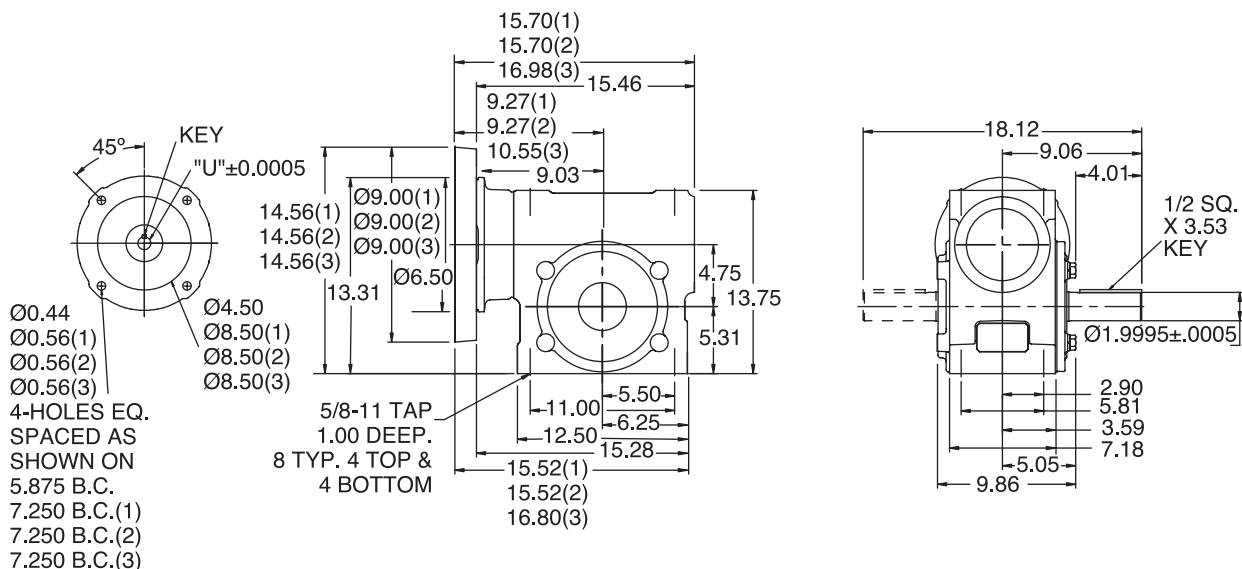
FEATURES/BENEFITS PAGE G4-2	SPECIFICATION PAGE G4-8	NOMENCLATURE PAGE G4-9	WASHDOWN PRODUCT PAGE G4-80
--------------------------------	----------------------------	---------------------------	--------------------------------



RATINGS/DIMENSIONS

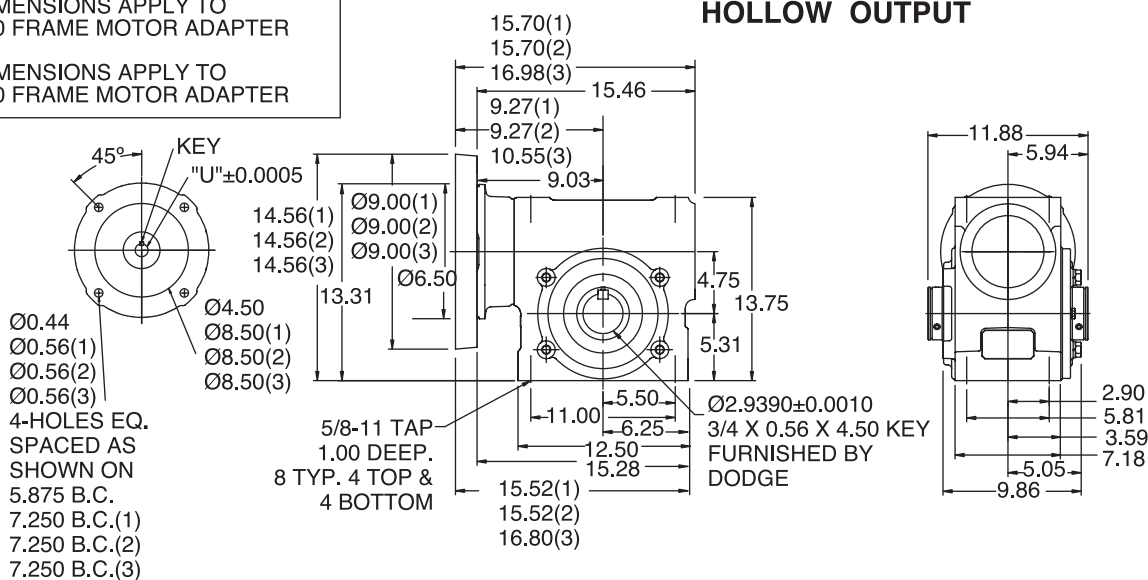
TIGEAR-2 Reducers With Quill Input - Size 47

SOLID OUTPUT

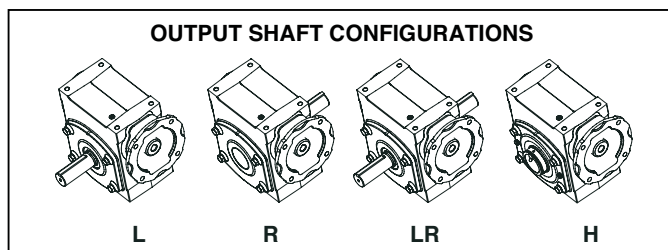


- (1) DIMENSIONS APPLY TO 180 FRAME MOTOR ADAPTER
- (2) DIMENSIONS APPLY TO 210 FRAME MOTOR ADAPTER
- (3) DIMENSIONS APPLY TO 250 FRAME MOTOR ADAPTER

HOLLOW OUTPUT



MOTOR FRAME	DIM "U"	KEY
140TC 160ATC	Ø0.876	3/16 SQ X 2.75 KEY
180TC 180ATC	Ø1.126	1/4 SQ. X 2.98 KEY
210TC 210ATC	Ø1.376	5/16 SQ X 3.11 KEY
250TC 250ATC	Ø1.626	3/8 SQ X 3.38 KEY





RATINGS/DIMENSIONS

TIGEAR-2 Reducers With Separate Input - Size 47

Ratio	Output RPM	Rating Data 1750 Input RPM		Separate Reducer	Shaft Position	Optional Motor Adapter Kit		
						180TC	210TC	250TC
5	350	Mechanical Input Hp	28.45	47S05L	L		4047MTR21	4047MTR25
		Thermal Input Hp	29.12	47S05R	R			
		Output Torque (lb in.)	4832	47S05LR	LR			
		Mechanical Output Hp	26.84	47S05H	HOLLOW			
		Output OHL (lbs.)	5100					
7.5	233	Mechanical Input Hp	23.35	47S07L	L		4047MTR21	4047MTR25
		Thermal Input Hp	24.37	47S07R	R			
		Output Torque (lb in.)	5801	47S07LR	LR			
		Mechanical Output Hp	21.77	47S07H	HOLLOW			
		Output OHL (lbs.)	5600					
10	175	Mechanical Input Hp	19.27	47S10L	L		4047MTR21	
		Thermal Input Hp	20.08	47S10R	R			
		Output Torque (lb in.)	6390	47S10LR	LR			
		Mechanical Output Hp	17.74	47S10H	HOLLOW			
		Output OHL (lbs.)	5600					
15	117	Mechanical Input Hp	14.05	47S15L	L	4047MTR18	4047MTR21	
		Thermal Input Hp	14.14	47S15R	R			
		Output Torque (lb in.)	6739	47S15LR	LR			
		Mechanical Output Hp	12.47	47S15H	HOLLOW			
		Output OHL (lbs.)	5600					
20	88	Mechanical Input Hp	10.82	47S20L	L	4047MTR18	4047MTR21	
		Thermal Input Hp	10.96	47S20R	R			
		Output Torque (lb in.)	6659	47S20LR	LR			
		Mechanical Output Hp	9.24	47S20H	HOLLOW			
		Output OHL (lbs.)	5600					
25	70	Mechanical Input Hp	8.76	47S25L	L	4047MTR18		
		Thermal Input Hp	8.09	47S25R	R			
		Output Torque (lb in.)	6410	47S25LR	LR			
		Mechanical Output Hp	7.12	47S25H	HOLLOW			
		Output OHL (lbs.)	5600					
30	58	Mechanical Input Hp	7.95	47S30L	L	4047MTR18		
		Thermal Input Hp	7.22	47S30R	R			
		Output Torque (lb in.)	6845	47S30LR	LR			
		Mechanical Output Hp	6.34	47S30H	HOLLOW			
		Output OHL (lbs.)	5600					
40	44	Mechanical Input Hp	6.21	47S40L	L	4047MTR18		
		Thermal Input Hp	5.66	47S40R	R			
		Output Torque (lb in.)	6644	47S40LR	LR			
		Mechanical Output Hp	4.61	47S40H	HOLLOW			
		Output OHL (lbs.)	5600					
50	35	Mechanical Input Hp	5.05	47S50L	L	4047MTR18		
		Thermal Input Hp	4.42	47S50R	R			
		Output Torque (lb in.)	6241	47S50LR	LR			
		Mechanical Output Hp	3.47	47S50H	HOLLOW			
		Output OHL (lbs.)	5600					
60	29	Mechanical Input Hp	4.12	47S60L	L			
		Thermal Input Hp	3.65	47S60R	R			
		Output Torque (lb in.)	5683	47S60LR	LR			
		Mechanical Output Hp	2.63	47S60H	HOLLOW			
		Output OHL (lbs.)	5600					
All Ratios		Input OHL (lbs)	500	One diameter from seal surface				

Note: TIGEAR-2 separate reducers cannot be used with the old Adaptable TIGEAR motor adapter kits. Refer to page G4-118 for hollow bore bushing selections

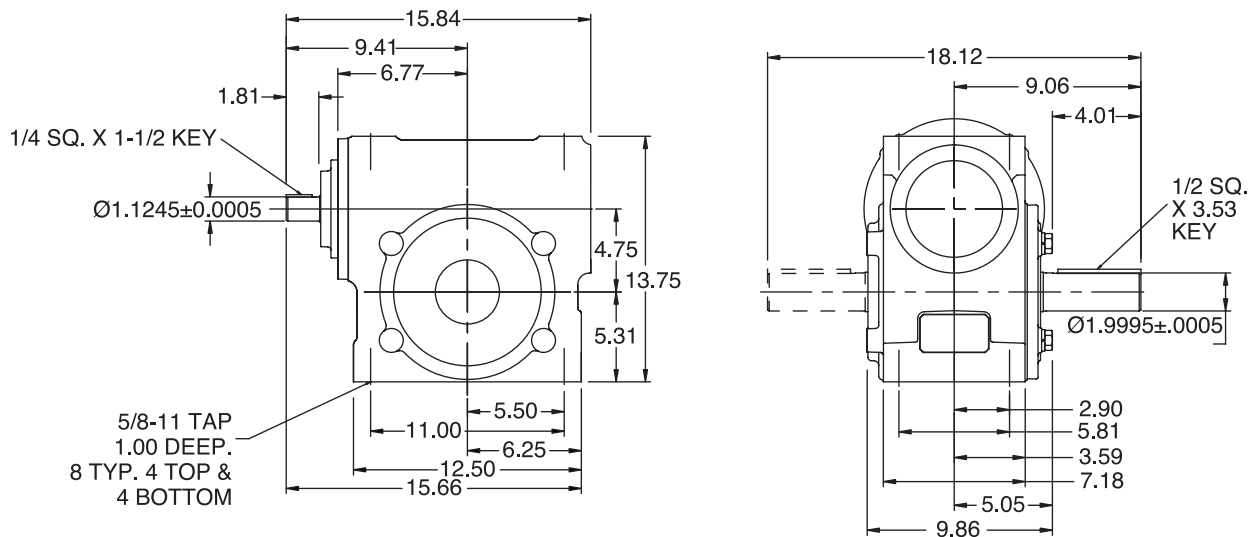
FEATURES/BENEFITS PAGE G4-2	SPECIFICATION PAGE G4-8	NOMENCLATURE PAGE G4-9	RATINGS/DIMENSIONS PAGE G4-16
--------------------------------	----------------------------	---------------------------	----------------------------------



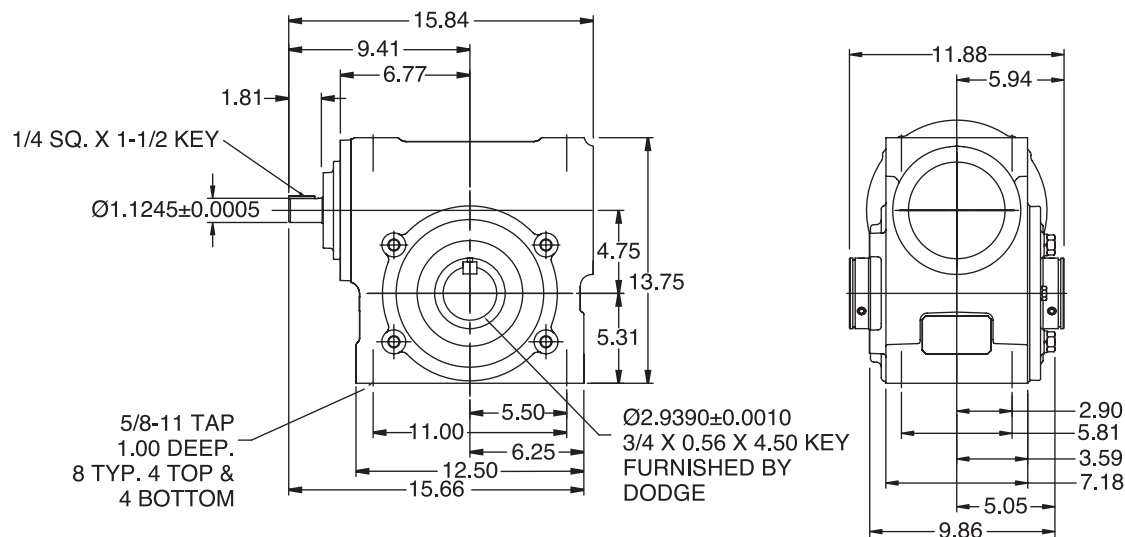
RATINGS/DIMENSIONS

TIGEAR-2 Reducers With Separate Input - Size 47

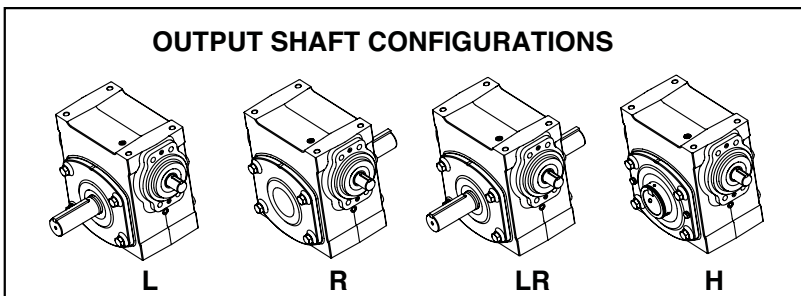
SOLID OUTPUT



HOLLOW OUTPUT



OUTPUT SHAFT CONFIGURATIONS





RATINGS/DIMENSIONS

TIGEAR-2 Reducers With 3-Piece Coupled Input - Size 47

3-Piece Coupled units include a Separate reducer, 3-piece coupling and motor adapter housing assembled together.

These assemblies are normally "made to order" with a 5 day standard lead time.

Ratio	Output RPM	Rating Data 1750 Input RPM		Part Number			Shaft Position
				180TC	210TC	250TC	
5	350	Mechanical Input Hp	28.45			47A05L25	L
		Thermal Input Hp	29.12			47A05R25	R
		Output Torque (lb in.)	4832			47A05LR25	LR
		Mechanical Output Hp	26.84			47A05H25	HOLLOW
		Output OHL (lbs.)	5100				
7.5	233	Mechanical Input Hp	23.35			47A07L25	L
		Thermal Input Hp	24.37			47A07R25	R
		Output Torque (lb in.)	5801			47A07LR25	LR
		Mechanical Output Hp	21.77			47A07H25	HOLLOW
		Output OHL (lbs.)	5600				
10	175	Mechanical Input Hp	19.27		47A10L21	47A10L25	L
		Thermal Input Hp	20.08		47A10R21	47A10R25	R
		Output Torque (lb in.)	6390		47A10LR21	47A10LR25	LR
		Mechanical Output Hp	17.74		47A10H21	47A10H25	HOLLOW
		Output OHL (lbs.)	5600				
15	117	Mechanical Input Hp	14.05		47A15L21		L
		Thermal Input Hp	14.14		47A15R21		R
		Output Torque (lb in.)	6739		47A15LR21		LR
		Mechanical Output Hp	12.47		47A15H21		HOLLOW
		Output OHL (lbs.)	5600				
20	88	Mechanical Input Hp	10.82		47A20L21		L
		Thermal Input Hp	10.96		47A20R21		R
		Output Torque (lb in.)	6659		47A20LR21		LR
		Mechanical Output Hp	9.24		47A20H21		HOLLOW
		Output OHL (lbs.)	5600				
25	70	Mechanical Input Hp	8.76	47A25L18	47A25L21		L
		Thermal Input Hp	8.09	47A25R18	47A25R21		R
		Output Torque (lb in.)	6410	47A25LR18	47A25LR21		LR
		Mechanical Output Hp	7.12	47A25H18	47A25H21		HOLLOW
		Output OHL (lbs.)	5600				
30	58	Mechanical Input Hp	7.95	47A30L18			L
		Thermal Input Hp	7.22	47A30R18			R
		Output Torque (lb in.)	6845	47A30LR18			LR
		Mechanical Output Hp	6.34	47A30H18			HOLLOW
		Output OHL (lbs.)	5600				
40	44	Mechanical Input Hp	6.21	47A40L18			L
		Thermal Input Hp	5.66	47A40R18			R
		Output Torque (lb in.)	6644	47A40LR18			LR
		Mechanical Output Hp	4.61	47A40H18			HOLLOW
		Output OHL (lbs.)	5600				
50	35	Mechanical Input Hp	5.05	47A50L18			L
		Thermal Input Hp	4.42	47A50R18			R
		Output Torque (lb in.)	6241	47A50LR18			LR
		Mechanical Output Hp	3.47	47A50H18			HOLLOW
		Output OHL (lbs.)	5600				
60	29	Mechanical Input Hp	4.12	47A60L18			L
		Thermal Input Hp	3.65	47A60R18			R
		Output Torque (lb in.)	5683	47A60LR18			LR
		Mechanical Output Hp	2.63	47A60H18			HOLLOW
		Output OHL (lbs.)	5600				

Note: Reducers are shipped without a mounting base. Order bolt-on base kit **47BASE** if required.

Refer to page G4-118 for hollow bore bushing selections

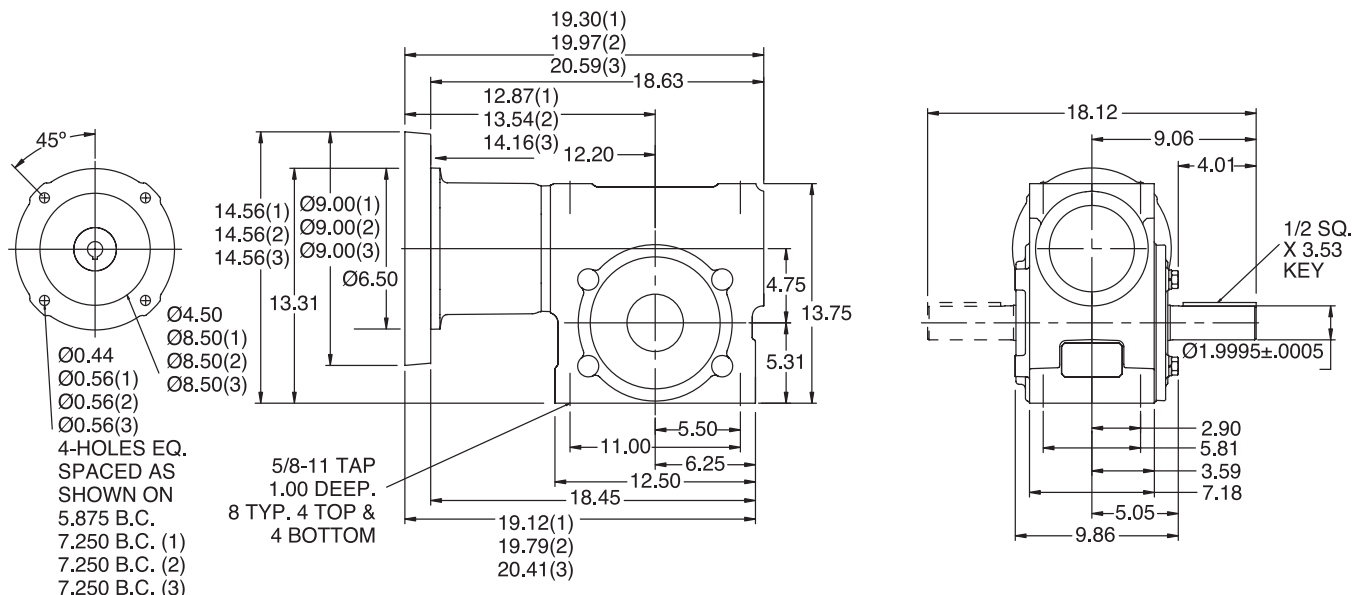
FEATURES/BENEFITS PAGE G4-2	SPECIFICATION PAGE G4-8	NOMENCLATURE PAGE G4-9	RATINGS/DIMENSIONS PAGE G4-16
--------------------------------	----------------------------	---------------------------	----------------------------------



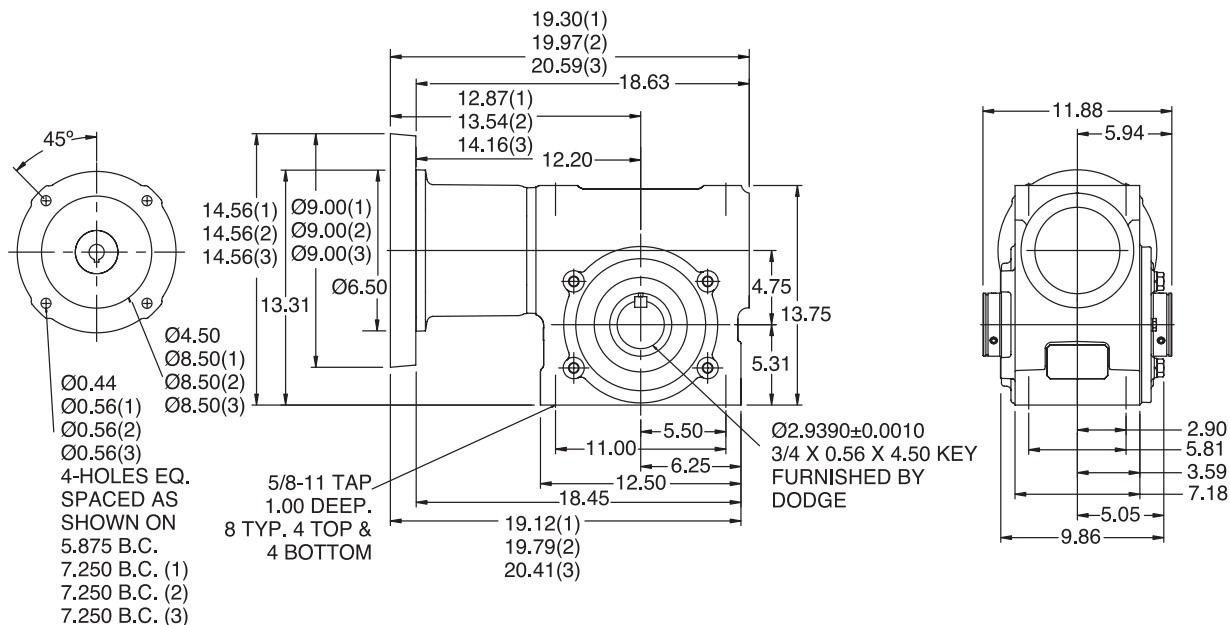
RATINGS/DIMENSIONS

TIGEAR-2 Reducers With 3-Piece Coupled Input - Size 47

SOLID OUTPUT

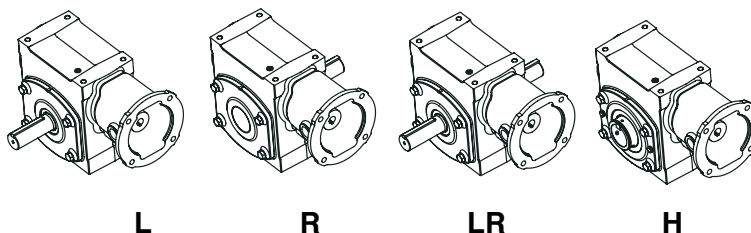


HOLLOW OUTPUT



- (1) DIMENSIONS APPLY TO 180 FRAME MOTOR ADAPTER
- (2) DIMENSIONS APPLY TO 210 FRAME MOTOR ADAPTER
- (3) DIMENSIONS APPLY TO 250 FRAME MOTOR ADAPTER

OUTPUT SHAFT CONFIGURATIONS





WASHDOWN PRODUCTS

TIGEAR-2 E-Z KLEEN REDUCERS With Quill Input - Size 13

Ratio	Output RPM	Rating Data		Part Number	Shaft Position
		1750 Input RPM		56C	
5	350	Mechanical Input Hp	1.32	13QZ05L56	L
		Thermal Input Hp	2.94	13QZ05R56	R
		Output Torque (lb in.)	219	13QZ05LR56	LR
		Mechanical Output Hp	1.22	13QZ05H56	HOLLOW
		Output OHL (lbs.)	650		HOLLOW ALT.
7.5	233	Mechanical Input Hp	1.04	13QZ07L56	L
		Thermal Input Hp	2.27	13QZ07R56	R
		Output Torque (lb in.)	251	13QZ07LR56	LR
		Mechanical Output Hp	0.94	13QZ07H56	HOLLOW
		Output OHL (lbs.)	650		HOLLOW ALT.
10	175	Mechanical Input Hp	0.85	13QZ10L56	L
		Thermal Input Hp	1.96	13QZ10R56	R
		Output Torque (lb in.)	270	13QZ10LR56	LR
		Mechanical Output Hp	0.75	13QZ10H56	HOLLOW
		Output OHL (lbs.)	650		HOLLOW ALT.
15	117	Mechanical Input Hp	0.64	13QZ15L56	L
		Thermal Input Hp	1.38	13QZ15R56	R
		Output Torque (lb in.)	293	13QZ15LR56	LR
		Mechanical Output Hp	0.54	13QZ15H56	HOLLOW
		Output OHL (lbs.)	650		HOLLOW ALT.
20	88	Mechanical Input HP	0.53	13QZ20L56	L
		Thermal Input Hp	1.06	13QZ20R56	R
		Output Torque (lb in.)	304	13QZ20LR56	LR
		Mechanical Output Hp	0.42	13QZ20H56	HOLLOW
		Output OHL (lbs.)	650		HOLLOW ALT.
25	70	Mechanical Input Hp	0.46	13QZ25L56	L
		Thermal Input Hp	0.86	13QZ25R56	R
		Output Torque (lb in.)	311	13QZ25LR56	LR
		Mechanical Output Hp	0.35	13QZ25H56	HOLLOW
		Output OHL (lbs.)	650		HOLLOW ALT.
30	58	Mechanical Input Hp	0.39	13QZ30L56	L
		Thermal Input Hp	0.85	13QZ30R56	R
		Output Torque (lb in.)	314	13QZ30LR56	LR
		Mechanical Output Hp	0.29	13QZ30H56	HOLLOW
		Output OHL (lbs.)	650		HOLLOW ALT.
40	44	Mechanical Input Hp	0.32	13QZ40L56	L
		Thermal Input Hp	0.7	13QZ40R56	R
		Output Torque (lb in.)	319	13QZ40LR56	LR
		Mechanical Output Hp	0.22	13QZ40H56	HOLLOW
		Output OHL (lbs.)	650		HOLLOW ALT.
50	35	Mechanical Input Hp	0.27	13QZ50L56	L
		Thermal Input Hp	0.61	13QZ50R56	R
		Output Torque (lb in.)	313	13QZ50LR56	LR
		Mechanical Output Hp	0.17	13QZ50H56	HOLLOW
		Output OHL (lbs.)	650		HOLLOW ALT.
60	29	Mechanical Input Hp	0.23	13QZ60L56	L
		Thermal Input Hp	0.54	13QZ60R56	R
		Output Torque (lb in.)	298	13QZ60LR56	LR
		Mechanical Output Hp	0.14	13QZ60H56	HOLLOW
		Output OHL (lbs.)	650		HOLLOW ALT.

Note: Reducers are shipped without a mounting base.
Washdown accessories available in Modifications / Accessories section.

Refer to page G4-119 for hollow bore bushing selections

Refer to page G4-17 for dimensions

FEATURES/BENEFITS PAGE G4-2	SPECIFICATION PAGE G4-8	NOMENCLATURE PAGE G4-9	RATINGS/DIMENSIONS PAGE G4-16
--------------------------------	----------------------------	---------------------------	----------------------------------



WASHDOWN PRODUCTS

TIGEAR-2 E-Z KLEEN REDUCERS With 3-Piece Coupled Input - Size 13

3-Piece Coupled units include a Separate reducer, 3-piece coupling and motor adapter housing assembled together.

Ratio	Output RPM	Rating Data 1750 Input RPM		Part Number	Shaft Position
				56C	
5	350	Mechanical Input Hp	1.32	13AZ05L56	L
		Thermal Input Hp	2.94	13AZ05R56	R
		Output Torque (lb in.)	219	13AZ05LR56	LR
		Mechanical Output Hp	1.22	13AZ05H56	HOLLOW
		Output OHL (lbs.)	650		HOLLOW ALT.
7.5	233	Mechanical Input Hp	1.04	13AZ07L56	L
		Thermal Input Hp	2.27	13AZ07R56	R
		Output Torque (lb in.)	251	13AZ07LR56	LR
		Mechanical Output Hp	0.94	13AZ07H56	HOLLOW
		Output OHL (lbs.)	650		HOLLOW ALT.
10	175	Mechanical Input Hp	0.85	13AZ10L56	L
		Thermal Input Hp	1.96	13AZ10R56	R
		Output Torque (lb in.)	270	13AZ10LR56	LR
		Mechanical Output Hp	0.75	13AZ10H56	HOLLOW
		Output OHL (lbs.)	650		HOLLOW ALT.
15	117	Mechanical Input Hp	0.64	13AZ15L56	L
		Thermal Input Hp	1.38	13AZ15R56	R
		Output Torque (lb in.)	293	13AZ15LR56	LR
		Mechanical Output Hp	0.54	13AZ15H56	HOLLOW
		Output OHL (lbs.)	650		HOLLOW ALT.
20	88	Mechanical Input HP	0.53	13AZ20L56	L
		Thermal Input Hp	1.06	13AZ20R56	R
		Output Torque (lb in.)	304	13AZ20LR56	LR
		Mechanical Output Hp	0.42	13AZ20H56	HOLLOW
		Output OHL (lbs.)	650		HOLLOW ALT.
25	70	Mechanical Input Hp	0.46	13AZ25L56	L
		Thermal Input Hp	0.86	13AZ25R56	R
		Output Torque (lb in.)	311	13AZ25LR56	LR
		Mechanical Output Hp	0.35	13AZ25H56	HOLLOW
		Output OHL (lbs.)	650		HOLLOW ALT.
30	58	Mechanical Input Hp	0.39	13AZ30L56	L
		Thermal Input Hp	0.85	13AZ30R56	R
		Output Torque (lb in.)	314	13AZ30LR56	LR
		Mechanical Output Hp	0.29	13AZ30H56	HOLLOW
		Output OHL (lbs.)	650		HOLLOW ALT.
40	44	Mechanical Input Hp	0.32	13AZ40L56	L
		Thermal Input Hp	0.7	13AZ40R56	R
		Output Torque (lb in.)	319	13AZ40LR56	LR
		Mechanical Output Hp	0.22	13AZ40H56	HOLLOW
		Output OHL (lbs.)	650		HOLLOW ALT.
50	35	Mechanical Input Hp	0.27	13AZ50L56	L
		Thermal Input Hp	0.61	13AZ50R56	R
		Output Torque (lb in.)	313	13AZ50LR56	LR
		Mechanical Output Hp	0.17	13AZ50H56	HOLLOW
		Output OHL (lbs.)	650		HOLLOW ALT.
60	29	Mechanical Input Hp	0.23	13AZ60L56	L
		Thermal Input Hp	0.54	13AZ60R56	R
		Output Torque (lb in.)	298	13AZ60LR56	LR
		Mechanical Output Hp	0.14	13AZ60H56	HOLLOW
		Output OHL (lbs.)	650		HOLLOW ALT.

Note: Reducers are shipped without a mounting base.
Washdown accessories available in Modifications / Accessories section.

Refer to page G4-119 for hollow bore bushing selections

Refer to page G4-21 for dimensions

FEATURES/BENEFITS PAGE G4-2	SPECIFICATION PAGE G4-8	NOMENCLATURE PAGE G4-9	RATINGS/DIMENSIONS PAGE G4-16
--------------------------------	----------------------------	---------------------------	----------------------------------



WASHDOWN PRODUCTS

TIGEAR-2 E-Z KLEEN Reducers With Quill Input - Size 15

Ratio	Output RPM	Rating Data 1750 Input RPM		Part Number	Shaft Position
				56C	
5	350	Mechanical Input Hp	1.75	15QZ05L56	L
		Thermal Input Hp	3.34	15QZ05R56	R
		Output Torque (lb in.)	293	15QZ05LR56	LR
		Mechanical Output Hp	1.63	15QZ05H56	HOLLOW
		Output OHL (lbs.)	710		HOLLOW ALT.
7.5	233	Mechanical Input Hp	1.40	15QZ07L56	L
		Thermal Input Hp	2.55	15QZ07R56	R
		Output Torque (lb in.)	337	15QZ07LR56	LR
		Mechanical Output Hp	1.26	15QZ07H56	HOLLOW
		Output OHL (lbs.)	710		HOLLOW ALT.
10	175	Mechanical Input Hp	1.13	15QZ10L56	L
		Thermal Input Hp	2.22	15QZ10R56	R
		Output Torque (lb in.)	361	15QZ10LR56	LR
		Mechanical Output Hp	1.00	15QZ10H56	HOLLOW
		Output OHL (lbs.)	710		HOLLOW ALT.
15	117	Mechanical Input Hp	0.86	15QZ15L56	L
		Thermal Input Hp	1.58	15QZ15R56	R
		Output Torque (lb in.)	392	15QZ15LR56	LR
		Mechanical Output Hp	0.73	15QZ15H56	HOLLOW
		Output OHL (lbs.)	710		HOLLOW ALT.
20	88	Mechanical Input HP	0.70	15QZ20L56	L
		Thermal Input Hp	1.26	15QZ20R56	R
		Output Torque (lb in.)	407	15QZ20LR56	LR
		Mechanical Output Hp	0.56	15QZ20H56	HOLLOW
		Output OHL (lbs.)	710		HOLLOW ALT.
25	70	Mechanical Input Hp	0.60	15QZ25L56	L
		Thermal Input Hp	0.99	15QZ25R56	R
		Output Torque (lb in.)	410	15QZ25LR56	LR
		Mechanical Output Hp	0.46	15QZ25H56	HOLLOW
		Output OHL (lbs.)	710		HOLLOW ALT.
30	58	Mechanical Input Hp	0.51	15QZ30L56	L
		Thermal Input Hp	0.96	15QZ30R56	R
		Output Torque (lb in.)	413	15QZ30LR56	LR
		Mechanical Output Hp	0.38	15QZ30H56	HOLLOW
		Output OHL (lbs.)	710		HOLLOW ALT.
40	44	Mechanical Input Hp	0.41	15QZ40L56	L
		Thermal Input Hp	0.80	15QZ40R56	R
		Output Torque (lb in.)	417	15QZ40LR56	LR
		Mechanical Output Hp	0.29	15QZ40H56	HOLLOW
		Output OHL (lbs.)	710		HOLLOW ALT.
50	35	Mechanical Input Hp	0.34	15QZ50L56	L
		Thermal Input Hp	0.70	15QZ50R56	R
		Output Torque (lb in.)	402	15QZ50LR56	LR
		Mechanical Output Hp	0.22	15QZ50H56	HOLLOW
		Output OHL (lbs.)	710		HOLLOW ALT.
60	29	Mechanical Input Hp	0.29	15QZ60L56	L
		Thermal Input Hp	0.62	15QZ60R56	R
		Output Torque (lb in.)	381	15QZ60LR56	LR
		Mechanical Output Hp	0.18	15QZ60H56	HOLLOW
		Output OHL (lbs.)	710		HOLLOW ALT.

Note: Reducers are shipped without a mounting base.
Washdown accessories available in Modifications / Accessories section.

Refer to page G4-119 for hollow bore bushing selections

Refer to page G4-23 for dimensions

FEATURES/BENEFITS PAGE G4-2	SPECIFICATION PAGE G4-8	NOMENCLATURE PAGE G4-9	RATINGS/DIMENSIONS PAGE G4-16
--------------------------------	----------------------------	---------------------------	----------------------------------



WASHDOWN PRODUCTS

TIGEAR-2 E-Z KLEEN Reducers With 3-Piece Coupled Input - Size 15

3-Piece Coupled units include a Separate reducer, 3-piece coupling and motor adapter housing assembled together.

Ratio	Output RPM	Rating Data		Part Number	Shaft Position
		1750 Input RPM		56C	
5	350	Mechanical Input Hp	1.75	15AZ05L56	L
		Thermal Input Hp	3.34	15AZ05R56	R
		Output Torque (lb in.)	293	15AZ05LR56	LR
		Mechanical Output Hp	1.63	15AZ05H56	HOLLOW
		Output OHL (lbs.)	710		HOLLOW ALT.
7.5	233	Mechanical Input Hp	1.40	15AZ07L56	L
		Thermal Input Hp	2.55	15AZ07R56	R
		Output Torque (lb in.)	337	15AZ07LR56	LR
		Mechanical Output Hp	1.26	15AZ07H56	HOLLOW
		Output OHL (lbs.)	710		HOLLOW ALT.
10	175	Mechanical Input Hp	1.13	15AZ10L56	L
		Thermal Input Hp	2.22	15AZ10R56	R
		Output Torque (lb in.)	361	15AZ10LR56	LR
		Mechanical Output Hp	1.00	15AZ10H56	HOLLOW
		Output OHL (lbs.)	710		HOLLOW ALT.
15	117	Mechanical Input Hp	0.86	15AZ15L56	L
		Thermal Input Hp	1.58	15AZ15R56	R
		Output Torque (lb in.)	392	15AZ15LR56	LR
		Mechanical Output Hp	0.73	15AZ15H56	HOLLOW
		Output OHL (lbs.)	710		HOLLOW ALT.
20	88	Mechanical Input HP	0.70	15AZ20L56	L
		Thermal Input Hp	1.26	15AZ20R56	R
		Output Torque (lb in.)	407	15AZ20LR56	LR
		Mechanical Output Hp	0.56	15AZ20H56	HOLLOW
		Output OHL (lbs.)	710		HOLLOW ALT.
25	70	Mechanical Input Hp	0.60	15AZ25L56	L
		Thermal Input Hp	0.99	15AZ25R56	R
		Output Torque (lb in.)	410	15AZ25LR56	LR
		Mechanical Output Hp	0.46	15AZ25H56	HOLLOW
		Output OHL (lbs.)	710		HOLLOW ALT.
30	58	Mechanical Input Hp	0.51	15AZ30L56	L
		Thermal Input Hp	0.96	15AZ30R56	R
		Output Torque (lb in.)	413	15AZ30LR56	LR
		Mechanical Output Hp	0.38	15AZ30H56	HOLLOW
		Output OHL (lbs.)	710		HOLLOW ALT.
40	44	Mechanical Input Hp	0.41	15AZ40L56	L
		Thermal Input Hp	0.80	15AZ40R56	R
		Output Torque (lb in.)	417	15AZ40LR56	LR
		Mechanical Output Hp	0.29	15AZ40H56	HOLLOW
		Output OHL (lbs.)	710		HOLLOW ALT.
50	35	Mechanical Input Hp	0.34	15AZ50L56	L
		Thermal Input Hp	0.70	15AZ50R56	R
		Output Torque (lb in.)	402	15AZ50LR56	LR
		Mechanical Output Hp	0.22	15AZ50H56	HOLLOW
		Output OHL (lbs.)	710		HOLLOW ALT.
60	29	Mechanical Input Hp	0.29	15AZ60L56	L
		Thermal Input Hp	0.62	15AZ60R56	R
		Output Torque (lb in.)	381	15AZ60LR56	LR
		Mechanical Output Hp	0.18	15AZ60H56	HOLLOW
		Output OHL (lbs.)	710		HOLLOW ALT.

Note: Reducers are shipped without a mounting base.

Washdown accessories available in Modifications / Accessories section.

Refer to page G4-119 for hollow bore bushing selections

Refer to page G4-27 for dimensions

FEATURES/BENEFITS PAGE G4-2	SPECIFICATION PAGE G4-8	NOMENCLATURE PAGE G4-9	RATINGS/DIMENSIONS PAGE G4-16
--------------------------------	----------------------------	---------------------------	----------------------------------



WASHDOWN PRODUCTS

TIGEAR-2 E-Z KLEEN Reducers With Quill Input- Size 17

Ratio	Output RPM	Rating Data 1750 Input RPM		Part Number		Shaft Position
				56C	140TC	
5	350	Mechanical Input Hp	2.59	17QZ05L56	17QZ05L14	L
		Thermal Input Hp	3.97	17QZ05R56	17QZ05R14	R
		Output Torque (lb.in.)	430	17QZ05LR56	17QZ05LR14	LR
		Mechanical Output Hp	2.39	17QZ05H56	17QZ05H14	HOLLOW
		Output OHL (lbs.)	1050			HOLLOW ALT.
7.5	233	Mechanical Input Hp	2.06	17QZ07L56	17QZ07L14	L
		Thermal Input Hp	3.42	17QZ07R56	17QZ07R14	R
		Output Torque (lb.in.)	500	17QZ07LR56	17QZ07LR14	LR
		Mechanical Output Hp	1.88	17QZ07H56	17QZ07H14	HOLLOW
		Output OHL (lbs.)	1190			HOLLOW ALT.
10	175	Mechanical Input Hp	1.67	17QZ10L56	17QZ10L14	L
		Thermal Input Hp	2.76	17QZ10R56	17QZ10R14	R
		Output Torque (lb.in.)	534	17QZ10LR56	17QZ10LR14	LR
		Mechanical Output Hp	1.48	17QZ10H56	17QZ10H14	HOLLOW
		Output OHL (lbs.)	1190			HOLLOW ALT.
15	117	Mechanical Input Hp	1.27	17QZ15L56	17QZ15L14	L
		Thermal Input Hp	2.01	17QZ15R56	17QZ15R14	R
		Output Torque (lb.in.)	583	17QZ15LR56	17QZ15LR14	LR
		Mechanical Output Hp	1.08	17QZ15H56	17QZ15H14	HOLLOW
		Output OHL (lbs.)	1190			HOLLOW ALT.
20	88	Mechanical Input Hp	1.03	17QZ20L56	17QZ20L14	L
		Thermal Input Hp	1.58	17QZ20R56	17QZ20R14	R
		Output Torque (lb.in.)	602	17QZ20LR56	17QZ20LR14	LR
		Mechanical Output Hp	0.84	17QZ20H56	17QZ20H14	HOLLOW
		Output OHL (lbs.)	1190			HOLLOW ALT.
25	70	Mechanical Input Hp	0.88	17QZ25L56		L
		Thermal Input Hp	1.28	17QZ25R56		R
		Output Torque (lb.in.)	609	17QZ25LR56		LR
		Mechanical Output Hp	0.68	17QZ25H56		HOLLOW
		Output OHL (lbs.)	1190			HOLLOW ALT.
30	58	Mechanical Input Hp	0.76	17QZ30L56		L
		Thermal Input Hp	1.20	17QZ30R56		R
		Output Torque (lb.in.)	615	17QZ30LR56		LR
		Mechanical Output Hp	0.57	17QZ30H56		HOLLOW
		Output OHL (lbs.)	1190			HOLLOW ALT.
40	44	Mechanical Input Hp	0.60	17QZ40L56		L
		Thermal Input Hp	1.09	17QZ40R56		R
		Output Torque (lb.in.)	627	17QZ40LR56		LR
		Mechanical Output Hp	0.43	17QZ40H56		HOLLOW
		Output OHL (lbs.)	1190			HOLLOW ALT.
50	35	Mechanical Input Hp	0.51	17QZ50L56		L
		Thermal Input Hp	0.90	17QZ50R56		R
		Output Torque (lb.in.)	608	17QZ50LR56		LR
		Mechanical Output Hp	0.34	17QZ50H56		HOLLOW
		Output OHL (lbs.)	1190			HOLLOW ALT.
60	29	Mechanical Input Hp	0.43	17QZ60L56		L
		Thermal Input Hp	0.80	17QZ60R56		R
		Output Torque (lb.in.)	576	17QZ60LR56		LR
		Mechanical Output Hp	0.27	17QZ60H56		HOLLOW
		Output OHL (lbs.)	1190			HOLLOW ALT.

Note: Reducers are shipped without a mounting base.
Washdown accessories available in Modifications / Accessories section.

Refer to page G4-119 for hollow bore bushing selections

Refer to page G4-29 for dimensions

FEATURES/BENEFITS PAGE G4-2	SPECIFICATION PAGE G4-8	NOMENCLATURE PAGE G4-9	RATINGS/DIMENSIONS PAGE G4-16
--------------------------------	----------------------------	---------------------------	----------------------------------



WASHDOWN PRODUCTS

TIGEAR-2 E-Z KLEEN Reducers With 3-Piece Coupled Input - Size 17

3-Piece Coupled units include a Separate reducer, 3-piece coupling and motor adapter housing assembled together.

Ratio	Output RPM	Rating Data 1750 Input RPM		Part Number		Shaft Position
				56C	140TC	
5	350	Mechanical Input Hp	2.59	17AZ05L56	17AZ05L14	L
		Thermal Input Hp	3.97	17AZ05R56	17AZ05R14	R
		Output Torque (lb.in.)	430	17AZ05LR56	17AZ05LR14	LR
		Mechanical Output Hp	2.39	17AZ05H56	17AZ05H14	HOLLOW
		Output OHL (lbs.)	1050			HOLLOW ALT.
7.5	233	Mechanical Input Hp	2.06	17AZ07L56	17AZ07L14	L
		Thermal Input Hp	3.42	17AZ07R56	17AZ07R14	R
		Output Torque (lb.in.)	500	17AZ07LR56	17AZ07LR14	LR
		Mechanical Output Hp	1.88	17AZ07H56	17AZ07H14	HOLLOW
		Output OHL (lbs.)	1190			HOLLOW ALT.
10	175	Mechanical Input Hp	1.67	17AZ10L56	17AZ10L14	L
		Thermal Input Hp	2.76	17AZ10R56	17AZ10R14	R
		Output Torque (lb.in.)	534	17AZ10LR56	17AZ10LR14	LR
		Mechanical Output Hp	1.48	17AZ10H56	17AZ10H14	HOLLOW
		Output OHL (lbs.)	1190			HOLLOW ALT.
15	117	Mechanical Input Hp	1.27	17AZ15L56	17AZ15L14	L
		Thermal Input Hp	2.01	17AZ15R56	17AZ15R14	R
		Output Torque (lb.in.)	583	17AZ15LR56	17AZ15LR14	LR
		Mechanical Output Hp	1.08	17AZ15H56	17AZ15H14	HOLLOW
		Output OHL (lbs.)	1190			HOLLOW ALT.
20	88	Mechanical Input Hp	1.03	17AZ20L56	17AZ20L14	L
		Thermal Input Hp	1.58	17AZ20R56	17AZ20R14	R
		Output Torque (lb.in.)	602	17AZ20LR56	17AZ20LR14	LR
		Mechanical Output Hp	0.84	17AZ20H56	17AZ20H14	HOLLOW
		Output OHL (lbs.)	1190			HOLLOW ALT.
25	70	Mechanical Input Hp	0.88	17AZ25L56		L
		Thermal Input Hp	1.28	17AZ25R56		R
		Output Torque (lb.in.)	609	17AZ25LR56		LR
		Mechanical Output Hp	0.68	17AZ25H56		HOLLOW
		Output OHL (lbs.)	1190			HOLLOW ALT.
30	58	Mechanical Input Hp	0.76	17AZ30L56		L
		Thermal Input Hp	1.20	17AZ30R56		R
		Output Torque (lb.in.)	615	17AZ30LR56		LR
		Mechanical Output Hp	0.57	17AZ30H56		HOLLOW
		Output OHL (lbs.)	1190			HOLLOW ALT.
40	44	Mechanical Input Hp	0.60	17AZ40L56		L
		Thermal Input Hp	1.09	17AZ40R56		R
		Output Torque (lb.in.)	627	17AZ40LR56		LR
		Mechanical Output Hp	0.43	17AZ40H56		HOLLOW
		Output OHL (lbs.)	1190			HOLLOW ALT.
50	35	Mechanical Input Hp	0.51	17AZ50L56		L
		Thermal Input Hp	0.90	17AZ50R56		R
		Output Torque (lb.in.)	608	17AZ50LR56		LR
		Mechanical Output Hp	0.34	17AZ50H56		HOLLOW
		Output OHL (lbs.)	1190			HOLLOW ALT.
60	29	Mechanical Input Hp	0.43	17AZ60L56		L
		Thermal Input Hp	0.80	17AZ60R56		R
		Output Torque (lb.in.)	576	17AZ60LR56		LR
		Mechanical Output Hp	0.27	17AZ60H56		HOLLOW
		Output OHL (lbs.)	1190			HOLLOW ALT.

Note: Reducers are shipped without a mounting base.

Washdown accessories available in Modifications / Accessories section.

Refer to page G4-119 for hollow bore bushing selections

Refer to page G4-33 for dimensions

FEATURES/BENEFITS PAGE G4-2	SPECIFICATION PAGE G4-8	NOMENCLATURE PAGE G4-9	RATINGS/DIMENSIONS PAGE G4-16
--------------------------------	----------------------------	---------------------------	----------------------------------



WASHDOWN PRODUCTS

TIGEAR-2 E-Z KLEEN Reducers With Quill Input - Size 20

Ratio	Output RPM	Rating Data 1750 Input RPM		Part Number		Shaft Position
				56C	140TC	
5	350	Mechanical Input Hp	3.47	20QZ05L56	20QZ05L14	L
		Thermal Input Hp	4.90	20QZ05R56	20QZ05R14	R
		Output Torque (lb.in.)	581	20QZ05LR56	20QZ05LR14	LR
		Mechanical Output Hp	3.23	20QZ05H56	20QZ05H14	HOLLOW
		Output OHL (lbs.)	1380	20QZ05HA56	20QZ05HA14	HOLLOW ALT.
7.5	233	Mechanical Input Hp	2.78	20QZ07L56	20QZ07L14	L
		Thermal Input Hp	4.15	20QZ07R56	20QZ07R14	R
		Output Torque (lb.in.)	678	20QZ07LR56	20QZ07LR14	LR
		Mechanical Output Hp	2.54	20QZ07H56	20QZ07H14	HOLLOW
		Output OHL (lbs.)	1560	20QZ07HA56	20QZ07HA14	HOLLOW ALT.
10	175	Mechanical Input Hp	2.25	20QZ10L56	20QZ10L14	L
		Thermal Input Hp	3.25	20QZ10R56	20QZ10R14	R
		Output Torque (lb.in.)	725	20QZ10LR56	20QZ10LR14	LR
		Mechanical Output Hp	2.01	20QZ10H56	20QZ10H14	HOLLOW
		Output OHL (lbs.)	1560	20QZ10HA56	20QZ10HA14	HOLLOW ALT.
15	117	Mechanical Input Hp	1.69	20QZ15L56	20QZ15L14	L
		Thermal Input Hp	2.52	20QZ15R56	20QZ15R14	R
		Output Torque (lb.in.)	790	20QZ15LR56	20QZ15LR14	LR
		Mechanical Output Hp	1.46	20QZ15H56	20QZ15H14	HOLLOW
		Output OHL (lbs.)	1560	20QZ15HA56	20QZ15HA14	HOLLOW ALT.
20	88	Mechanical Input Hp	1.34	20QZ20L56	20QZ20L14	L
		Thermal Input Hp	1.99	20QZ20R56	20QZ20R14	R
		Output Torque (lb.in.)	796	20QZ20LR56	20QZ20LR14	LR
		Mechanical Output Hp	1.11	20QZ20H56	20QZ20H14	HOLLOW
		Output OHL (lbs.)	1560	20QZ20HA56	20QZ20HA14	HOLLOW ALT.
25	70	Mechanical Input Hp	1.11	20QZ25L56	20QZ25L14	L
		Thermal Input Hp	1.59	20QZ25R56	20QZ25R14	R
		Output Torque (lb.in.)	788	20QZ25LR56	20QZ25LR14	LR
		Mechanical Output Hp	0.88	20QZ25H56	20QZ25H14	HOLLOW
		Output OHL (lbs.)	1560	20QZ25HA56	20QZ25HA14	HOLLOW ALT.
30	58	Mechanical Input Hp	0.96	20QZ30L56		L
		Thermal Input Hp	1.49	20QZ30R56		R
		Output Torque (lb.in.)	802	20QZ30LR56		LR
		Mechanical Output Hp	0.74	20QZ30H56		HOLLOW
		Output OHL (lbs.)	1560	20QZ30HA56		HOLLOW ALT.
40	44	Mechanical Input Hp	0.76	20QZ40L56		L
		Thermal Input Hp	1.29	20QZ40R56		R
		Output Torque (lb.in.)	801	20QZ40LR56		LR
		Mechanical Output Hp	0.56	20QZ40H56		HOLLOW
		Output OHL (lbs.)	1560	20QZ40HA56		HOLLOW ALT.
50	35	Mechanical Input Hp	0.64	20QZ50L56		L
		Thermal Input Hp	1.09	20QZ50R56		R
		Output Torque (lb.in.)	787	20QZ50LR56		LR
		Mechanical Output Hp	0.44	20QZ50H56		HOLLOW
		Output OHL (lbs.)	1560	20QZ50HA56		HOLLOW ALT.
60	29	Mechanical Input Hp	0.56	20QZ60L56		L
		Thermal Input Hp	0.96	20QZ60R56		R
		Output Torque (lb.in.)	767	20QZ60LR56		LR
		Mechanical Output Hp	0.36	20QZ60H56		HOLLOW
		Output OHL (lbs.)	1560	20QZ60HA56		HOLLOW ALT.

Note: Reducers are shipped without a mounting base.
 Washdown accessories available in Modifications / Accessories section.
Refer to page G4-119 for hollow bore bushing selections
Refer to page G4-37 for dimensions

FEATURES/BENEFITS PAGE G4-2	SPECIFICATION PAGE G4-8	NOMENCLATURE PAGE G4-9	RATINGS/DIMENSIONS PAGE G4-16
--------------------------------	----------------------------	---------------------------	----------------------------------



WASHDOWN PRODUCTS

TIGEAR-2 E-Z KLEEN Reducers With 3-Piece Coupled Input - Size 20

3-Piece Coupled units include a Separate reducer, 3-piece coupling and motor adapter housing assembled together.

Ratio	Output RPM	Rating Data 1750 Input RPM		Part Number		Shaft Position
				56C	140TC	
5	350	Mechanical Input Hp	3.47	20AZ05L56	20AZ05L14	L
		Thermal Input Hp	4.90	20AZ05R56	20AZ05R14	R
		Output Torque (lb.in.)	581	20AZ05LR56	20AZ05LR14	LR
		Mechanical Output Hp	3.23	20AZ05H56	20AZ05H14	HOLLOW
		Output OHL (lbs.)	1380	20AZ05HA56	20AZ05HA14	HOLLOW ALT.
7.5	233	Mechanical Input Hp	2.78	20AZ07L56	20AZ07L14	L
		Thermal Input Hp	4.15	20AZ07R56	20AZ07R14	R
		Output Torque (lb.in.)	678	20AZ07LR56	20AZ07LR14	LR
		Mechanical Output Hp	2.54	20AZ07H56	20AZ07H14	HOLLOW
		Output OHL (lbs.)	1560	20AZ07HA56	20AZ07HA14	HOLLOW ALT.
10	175	Mechanical Input Hp	2.25	20AZ10L56	20AZ10L14	L
		Thermal Input Hp	3.25	20AZ10R56	20AZ10R14	R
		Output Torque (lb.in.)	725	20AZ10LR56	20AZ10LR14	LR
		Mechanical Output Hp	2.01	20AZ10H56	20AZ10H14	HOLLOW
		Output OHL (lbs.)	1560	20AZ10HA56	20AZ10HA14	HOLLOW ALT.
15	117	Mechanical Input Hp	1.69	20AZ15L56	20AZ15L14	L
		Thermal Input Hp	2.52	20AZ15R56	20AZ15R14	R
		Output Torque (lb.in.)	790	20AZ15LR56	20AZ15LR14	LR
		Mechanical Output Hp	1.46	20AZ15H56	20AZ15H14	HOLLOW
		Output OHL (lbs.)	1560	20AZ15HA56	20AZ15HA14	HOLLOW ALT.
20	88	Mechanical Input Hp	1.34	20AZ20L56	20AZ20L14	L
		Thermal Input Hp	1.99	20AZ20R56	20AZ20R14	R
		Output Torque (lb.in.)	796	20AZ20LR56	20AZ20LR14	LR
		Mechanical Output Hp	1.11	20AZ20H56	20AZ20H14	HOLLOW
		Output OHL (lbs.)	1560	20AZ20HA56	20AZ20HA14	HOLLOW ALT.
25	70	Mechanical Input Hp	1.11	20AZ25L56	20AZ25L14	L
		Thermal Input Hp	1.59	20AZ25R56	20AZ25R14	R
		Output Torque (lb.in.)	788	20AZ25LR56	20AZ25LR14	LR
		Mechanical Output Hp	0.88	20AZ25H56	20AZ25H14	HOLLOW
		Output OHL (lbs.)	1560	20AZ25HA56	20AZ25HA14	HOLLOW ALT.
30	58	Mechanical Input Hp	0.96	20AZ30L56		L
		Thermal Input Hp	1.49	20AZ30R56		R
		Output Torque (lb.in.)	802	20AZ30LR56		LR
		Mechanical Output Hp	0.74	20AZ30H56		HOLLOW
		Output OHL (lbs.)	1560	20AZ30HA56		HOLLOW ALT.
40	44	Mechanical Input Hp	0.76	20AZ40L56		L
		Thermal Input Hp	1.29	20AZ40R56		R
		Output Torque (lb.in.)	801	20AZ40LR56		LR
		Mechanical Output Hp	0.56	20AZ40H56		HOLLOW
		Output OHL (lbs.)	1560	20AZ40HA56		HOLLOW ALT.
50	35	Mechanical Input Hp	0.64	20AZ50L56		L
		Thermal Input Hp	1.09	20AZ50R56		R
		Output Torque (lb.in.)	787	20AZ50LR56		LR
		Mechanical Output Hp	0.44	20AZ50H56		HOLLOW
		Output OHL (lbs.)	1560	20AZ50HA56		HOLLOW ALT.
60	29	Mechanical Input Hp	0.56	20AZ60L56		L
		Thermal Input Hp	0.96	20AZ60R56		R
		Output Torque (lb.in.)	767	20AZ60LR56		LR
		Mechanical Output Hp	0.36	20AZ60H56		HOLLOW
		Output OHL (lbs.)	1560	20AZ60HA56		HOLLOW ALT.

Note: Reducers are shipped without a mounting base.
Washdown accessories available in Modifications / Accessories section.

Refer to page G4-119 for hollow bore bushing selections

Refer to page G4-41 for dimensions

FEATURES/BENEFITS PAGE G4-2	SPECIFICATION PAGE G4-8	NOMENCLATURE PAGE G4-9	RATINGS/DIMENSIONS PAGE G4-16
--------------------------------	----------------------------	---------------------------	----------------------------------



WASHDOWN PRODUCTS

TIGEAR-2 E-Z KLEEN Reducers With Quill Input - Size 23

Ratio	Output RPM	Rating Data 1750 Input RPM		Part Number			Shaft Position
				56C	140TC	180TC	
5	350	Mechanical Input Hp	5.25	23QZ05L56	23QZ05L14	23QZ05L18	L
		Thermal Input Hp	6.61	23QZ05R56	23QZ05R14	23QZ05R18	R
		Output Torque (lb.in.)	881	23QZ05LR56	23QZ05LR14	23QZ05LR18	LR
		Mechanical Output Hp	4.89	23QZ05H56	23QZ05H14	23QZ05H18	HOLLOW
		Output OHL (lbs.)	1330	23QZ05HA56	23QZ05HA14	23QZ05HA18	HOLLOW ALT.
7.5	233	Mechanical Input Hp	4.18	23QZ07L56	23QZ07L14	23QZ07L18	L
		Thermal Input Hp	5.64	23QZ07R56	23QZ07R14	23QZ07R18	R
		Output Torque (lb.in.)	1026	23QZ07LR56	23QZ07LR14	23QZ07LR18	LR
		Mechanical Output Hp	3.85	23QZ07H56	23QZ07H14	23QZ07H18	HOLLOW
		Output OHL (lbs.)	1520	23QZ07HA56	23QZ07HA14	23QZ07HA18	HOLLOW ALT.
10	175	Mechanical Input Hp	3.42	23QZ10L56	23QZ10L14	23QZ10L18	L
		Thermal Input Hp	4.40	23QZ10R56	23QZ10R14	23QZ10R18	R
		Output Torque (lb.in.)	1106	23QZ10LR56	23QZ10LR14	23QZ10LR18	LR
		Mechanical Output Hp	3.07	23QZ10H56	23QZ10H14	23QZ10H18	HOLLOW
		Output OHL (lbs.)	1610	23QZ10HA56	23QZ10HA14	23QZ10HA18	HOLLOW ALT.
15	117	Mechanical Input Hp	2.57	23QZ15L56	23QZ15L14		L
		Thermal Input Hp	3.30	23QZ15R56	23QZ15R14		R
		Output Torque (lb.in.)	1199	23QZ15LR56	23QZ15LR14		LR
		Mechanical Output Hp	2.22	23QZ15H56	23QZ15H14		HOLLOW
		Output OHL (lbs.)	1610	23QZ15HA56	23QZ15HA14		HOLLOW ALT.
20	88	Mechanical Input Hp	2.00	23QZ20L56	23QZ20L14		L
		Thermal Input Hp	2.62	23QZ20R56	23QZ20R14		R
		Output Torque (lb.in.)	1178	23QZ20LR56	23QZ20LR14		LR
		Mechanical Output Hp	1.64	23QZ20H56	23QZ20H14		HOLLOW
		Output OHL (lbs.)	1610	23QZ20HA56	23QZ20HA14		HOLLOW ALT.
25	70	Mechanical Input Hp	1.65	23QZ25L56	23QZ25L14		L
		Thermal Input Hp	2.16	23QZ25R56	23QZ25R14		R
		Output Torque (lb.in.)	1184	23QZ25LR56	23QZ25LR14		LR
		Mechanical Output Hp	1.32	23QZ25H56	23QZ25H14		HOLLOW
		Output OHL (lbs.)	1610	23QZ25HA56	23QZ25HA14		HOLLOW ALT.
30	58	Mechanical Input Hp	1.42	23QZ30L56	23QZ30L14		L
		Thermal Input Hp	2.06	23QZ30R56	23QZ30R14		R
		Output Torque (lb.in.)	1201	23QZ30LR56	23QZ30LR14		LR
		Mechanical Output Hp	1.11	23QZ30H56	23QZ30H14		HOLLOW
		Output OHL (lbs.)	1610	23QZ30HA56	23QZ30HA14		HOLLOW ALT.
40	44	Mechanical Input Hp	1.11	23QZ40L56	23QZ40L14		L
		Thermal Input Hp	1.73	23QZ40R56	23QZ40R14		R
		Output Torque (lb.in.)	1193	23QZ40LR56	23QZ40LR14		LR
		Mechanical Output Hp	0.83	23QZ40H56	23QZ40H14		HOLLOW
		Output OHL (lbs.)	1610	23QZ40HA56	23QZ40HA14		HOLLOW ALT.
50	35	Mechanical Input Hp	0.95	23QZ50L56			L
		Thermal Input Hp	1.42	23QZ50R56			R
		Output Torque (lb.in.)	1182	23QZ50LR56			LR
		Mechanical Output Hp	0.66	23QZ50H56			HOLLOW
		Output OHL (lbs.)	1610	23QZ50HA56			HOLLOW ALT.
60	29	Mechanical Input Hp	0.80	23QZ60L56			L
		Thermal Input Hp	1.24	23QZ60R56			R
		Output Torque (lb.in.)	1111	23QZ60LR56			LR
		Mechanical Output Hp	0.51	23QZ60H56			HOLLOW
		Output OHL (lbs.)	1610	23QZ60HA56			HOLLOW ALT.

Note: Reducers are shipped without a mounting base.

Washdown accessories available in Modifications / Accessories section.

Refer to page G4-119 for hollow bore bushing selections

Refer to page G4-45 for dimensions

FEATURES/BENEFITS PAGE G4-2	SPECIFICATION PAGE G4-8	NOMENCLATURE PAGE G4-9	RATINGS/DIMENSIONS PAGE G4-16
--------------------------------	----------------------------	---------------------------	----------------------------------



WASHDOWN PRODUCTS

TIGEAR-2 E-Z KLEEN Reducers With 3-Piece Coupled Input - Size 23

3-Piece Coupled units include a Separate reducer, 3-piece coupling and motor adapter housing assembled together.

Ratio	Output RPM	Rating Data 1750 Input RPM		Part Number			Shaft Position
				56C	140TC	180TC	
5	350	Mechanical Input Hp	5.25	23AZ05L56	23AZ05L14	23AZ05L18	L
		Thermal Input Hp	6.61	23AZ05R56	23AZ05R14	23AZ05R18	R
		Output Torque (lb.in.)	881	23AZ05LR56	23AZ05LR14	23AZ05LR18	LR
		Mechanical Output Hp	4.89	23AZ05H56	23AZ05H14	23AZ05H18	HOLLOW
		Output OHL (lbs.)	1330	23AZ05HA56	23AZ05HA14	23AZ05HA18	HOLLOW ALT.
7.5	233	Mechanical Input Hp	4.18	23AZ07L56	23AZ07L14	23AZ07L18	L
		Thermal Input Hp	5.64	23AZ07R56	23AZ07R14	23AZ07R18	R
		Output Torque (lb.in.)	1026	23AZ07LR56	23AZ07LR14	23AZ07LR18	LR
		Mechanical Output Hp	3.85	23AZ07H56	23AZ07H14	23AZ07H18	HOLLOW
		Output OHL (lbs.)	1520	23AZ07HA56	23AZ07HA14	23AZ07HA18	HOLLOW ALT.
10	175	Mechanical Input Hp	3.42	23AZ10L56	23AZ10L14	23AZ10L18	L
		Thermal Input Hp	4.40	23AZ10R56	23AZ10R14	23AZ10R18	R
		Output Torque (lb.in.)	1106	23AZ10LR56	23AZ10LR14	23AZ10LR18	LR
		Mechanical Output Hp	3.07	23AZ10H56	23AZ10H14	23AZ10H18	HOLLOW
		Output OHL (lbs.)	1610	23AZ10HA56	23AZ10HA14	23AZ10HA18	HOLLOW ALT.
15	117	Mechanical Input Hp	2.57	23AZ15L56	23AZ15L14		L
		Thermal Input Hp	3.30	23AZ15R56	23AZ15R14		R
		Output Torque (lb.in.)	1199	23AZ15LR56	23AZ15LR14		LR
		Mechanical Output Hp	2.22	23AZ15H56	23AZ15H14		HOLLOW
		Output OHL (lbs.)	1610	23AZ15HA56	23AZ15HA14		HOLLOW ALT.
20	88	Mechanical Input Hp	2.00	23AZ20L56	23AZ20L14		L
		Thermal Input Hp	2.62	23AZ20R56	23AZ20R14		R
		Output Torque (lb.in.)	1178	23AZ20LR56	23AZ20LR14		LR
		Mechanical Output Hp	1.64	23AZ20H56	23AZ20H14		HOLLOW
		Output OHL (lbs.)	1610	23AZ20HA56	23AZ20HA14		HOLLOW ALT.
25	70	Mechanical Input Hp	1.65	23AZ25L56	23AZ25L14		L
		Thermal Input Hp	2.16	23AZ25R56	23AZ25R14		R
		Output Torque (lb.in.)	1184	23AZ25LR56	23AZ25LR14		LR
		Mechanical Output Hp	1.32	23AZ25H56	23AZ25H14		HOLLOW
		Output OHL (lbs.)	1610	23AZ25HA56	23AZ25HA14		HOLLOW ALT.
30	58	Mechanical Input Hp	1.42	23AZ30L56	23AZ30L14		L
		Thermal Input Hp	2.06	23AZ30R56	23AZ30R14		R
		Output Torque (lb.in.)	1201	23AZ30LR56	23AZ30LR14		LR
		Mechanical Output Hp	1.11	23AZ30H56	23AZ30H14		HOLLOW
		Output OHL (lbs.)	1610	23AZ30HA56	23AZ30HA14		HOLLOW ALT.
40	44	Mechanical Input Hp	1.11	23AZ40L56	23AZ40L14		L
		Thermal Input Hp	1.73	23AZ40R56	23AZ40R14		R
		Output Torque (lb.in.)	1193	23AZ40LR56	23AZ40LR14		LR
		Mechanical Output Hp	0.83	23AZ40H56	23AZ40H14		HOLLOW
		Output OHL (lbs.)	1610	23AZ40HA56	23AZ40HA14		HOLLOW ALT.
50	35	Mechanical Input Hp	0.95	23AZ50L56			L
		Thermal Input Hp	1.42	23AZ50R56			R
		Output Torque (lb.in.)	1182	23AZ50LR56			LR
		Mechanical Output Hp	0.66	23AZ50H56			HOLLOW
		Output OHL (lbs.)	1610	23AZ50HA56			HOLLOW ALT.
60	29	Mechanical Input Hp	0.80	23AZ60L56			L
		Thermal Input Hp	1.24	23AZ60R56			R
		Output Torque (lb.in.)	1111	23AZ60LR56			LR
		Mechanical Output Hp	0.51	23AZ60H56			HOLLOW
		Output OHL (lbs.)	1610	23AZ60HA56			HOLLOW ALT.

Note: Reducers are shipped without a mounting base.
Washdown accessories available in Modifications / Accessories section.

Refer to page G4-119 for hollow bore bushing selections

Refer to page G4-49 for dimensions

FEATURES/BENEFITS PAGE G4-2	SPECIFICATION PAGE G4-8	NOMENCLATURE PAGE G4-9	RATINGS/DIMENSIONS PAGE G4-16
--------------------------------	----------------------------	---------------------------	----------------------------------



WASHDOWN PRODUCTS

TIGEAR-2 E-Z KLEEN Reducers With Quill Input - Size 26

Ratio	Output RPM	Rating Data		Part Number			Shaft
		1750 Input RPM		56C	140TC	180TC	Position
5	350	Mechanical Input Hp	7.37		26QZ05L14	26QZ05L18	L
		Thermal Input Hp	8.79		26QZ05R14	26QZ05R18	R
		Output Torque (lb.in.)	1247		26QZ05LR14	26QZ05LR18	LR
		Mechanical Output Hp	6.93		26QZ05H14	26QZ05H18	HOLLOW
		Output OHL (lbs.)	1330		26QZ05HA14	26QZ05HA18	HOLLOW ALT.
7.5	233	Mechanical Input Hp	5.92	26QZ07L56	26QZ07L14	26QZ07L18	L
		Thermal Input Hp	6.89	26QZ07R56	26QZ07R14	26QZ07R18	R
		Output Torque (lb.in.)	1458	26QZ07LR56	26QZ07LR14	26QZ07LR18	LR
		Mechanical Output Hp	5.47	26QZ07H56	26QZ07H14	26QZ07H18	HOLLOW
		Output OHL (lbs.)	1520	26QZ07HA56	26QZ07HA14	26QZ07HA18	HOLLOW ALT.
10	175	Mechanical Input Hp	4.83	26QZ10L56	26QZ10L14	26QZ10L18	L
		Thermal Input Hp	5.61	26QZ10R56	26QZ10R14	26QZ10R18	R
		Output Torque (lb.in.)	1576	26QZ10LR56	26QZ10LR14	26QZ10LR18	LR
		Mechanical Output Hp	4.37	26QZ10H56	26QZ10H14	26QZ10H18	HOLLOW
		Output OHL (lbs.)	1610	26QZ10HA56	26QZ10HA14	26QZ10HA18	HOLLOW ALT.
15	117	Mechanical Input Hp	3.62	26QZ15L56	26QZ15L14	26QZ15L18	L
		Thermal Input Hp	4.15	26QZ15R56	26QZ15R14	26QZ15R18	R
		Output Torque (lb.in.)	1708	26QZ15LR56	26QZ15LR14	26QZ15LR18	LR
		Mechanical Output Hp	3.16	26QZ15H56	26QZ15H14	26QZ15H18	HOLLOW
		Output OHL (lbs.)	1610	26QZ15HA56	26QZ15HA14	26QZ15HA18	HOLLOW ALT.
20	88	Mechanical Input Hp	2.71	26QZ20L56	26QZ20L14		L
		Thermal Input Hp	3.71	26QZ20R56	26QZ20R14		R
		Output Torque (lb.in.)	1673	26QZ20LR56	26QZ20LR14		LR
		Mechanical Output Hp	2.32	26QZ20H56	26QZ20H14		HOLLOW
		Output OHL (lbs.)	1610	26QZ20HA56	26QZ20HA14		HOLLOW ALT.
25	70	Mechanical Input Hp	2.26	26QZ25L56	26QZ25L14		L
		Thermal Input Hp	3.00	26QZ25R56	26QZ25R14		R
		Output Torque (lb.in.)	1677	26QZ25LR56	26QZ25LR14		LR
		Mechanical Output Hp	1.86	26QZ25H56	26QZ25H14		HOLLOW
		Output OHL (lbs.)	1610	26QZ25HA56	26QZ25HA14		HOLLOW ALT.
30	58	Mechanical Input Hp	2.00	26QZ30L56	26QZ30L14		L
		Thermal Input Hp	2.79	26QZ30R56	26QZ30R14		R
		Output Torque (lb.in.)	1705	26QZ30LR56	26QZ30LR14		LR
		Mechanical Output Hp	1.58	26QZ30H56	26QZ30H14		HOLLOW
		Output OHL (lbs.)	1610	26QZ30HA56	26QZ30HA14		HOLLOW ALT.
40	44	Mechanical Input Hp	1.55	26QZ40L56	26QZ40L14		L
		Thermal Input Hp	2.14	26QZ40R56	26QZ40R14		R
		Output Torque (lb.in.)	1685	26QZ40LR56	26QZ40LR14		LR
		Mechanical Output Hp	1.17	26QZ40H56	26QZ40H14		HOLLOW
		Output OHL (lbs.)	1610	26QZ40HA56	26QZ40HA14		HOLLOW ALT.
50	35	Mechanical Input Hp	1.32	26QZ50L56	26QZ50L14		L
		Thermal Input Hp	1.76	26QZ50R56	26QZ50R14		R
		Output Torque (lb.in.)	1662	26QZ50LR56	26QZ50LR14		LR
		Mechanical Output Hp	0.92	26QZ50H56	26QZ50H14		HOLLOW
		Output OHL (lbs.)	1610	26QZ50HA56	26QZ50HA14		HOLLOW ALT.
60	29	Mechanical Input Hp	1.08	26QZ60L56	26QZ60L14		L
		Thermal Input Hp	1.57	26QZ60R56	26QZ60R14		R
		Output Torque (lb.in.)	1547	26QZ60LR56	26QZ60LR14		LR
		Mechanical Output Hp	0.72	26QZ60H56	26QZ60H14		HOLLOW
		Output OHL (lbs.)	1610	26QZ60HA56	26QZ60HA14		HOLLOW ALT.

Note: Reducers are shipped without a mounting base.
Washdown accessories available in Modifications / Accessories section.

Refer to page G4-119 for hollow bore bushing selections

Refer to page G4-51 for dimensions

FEATURES/BENEFITS PAGE G4-2	SPECIFICATION PAGE G4-8	NOMENCLATURE PAGE G4-9	RATINGS/DIMENSIONS PAGE G4-16
--------------------------------	----------------------------	---------------------------	----------------------------------



WASHDOWN PRODUCTS

TIGEAR-2 E-Z KLEEN Reducers With 3-Piece Coupled Input - Size 26

3-Piece Coupled units include a Separate reducer, 3-piece coupling and motor adapter housing assembled together.

Ratio	Output RPM	Rating Data 1750 Input RPM		Part Number			Shaft Position
				56C	140TC	180TC	
5	350	Mechanical Input Hp	7.37		26AZ05L14	26AZ05L18	L
		Thermal Input Hp	8.79		26AZ05R14	26AZ05R18	R
		Output Torque (lb.in.)	1247		26AZ05LR14	26AZ05LR18	LR
		Mechanical Output Hp	6.93		26AZ05H14	26AZ05H18	HOLLOW
		Output OHL (lbs.)	1330		26AZ05HA14	26AZ05HA18	HOLLOW ALT.
7.5	233	Mechanical Input Hp	5.92	26AZ07L56	26AZ07L14	26AZ07L18	L
		Thermal Input Hp	6.89	26AZ07R56	26AZ07R14	26AZ07R18	R
		Output Torque (lb.in.)	1458	26AZ07LR56	26AZ07LR14	26AZ07LR18	LR
		Mechanical Output Hp	5.47	26AZ07H56	26AZ07H14	26AZ07H18	HOLLOW
		Output OHL (lbs.)	1520	26AZ07HA56	26AZ07HA14	26AZ07HA18	HOLLOW ALT.
10	175	Mechanical Input Hp	4.83	26AZ10L56	26AZ10L14	26AZ10L18	L
		Thermal Input Hp	5.61	26AZ10R56	26AZ10R14	26AZ10R18	R
		Output Torque (lb.in.)	1576	26AZ10LR56	26AZ10LR14	26AZ10LR18	LR
		Mechanical Output Hp	4.37	26AZ10H56	26AZ10H14	26AZ10H18	HOLLOW
		Output OHL (lbs.)	1610	26AZ10HA56	26AZ10HA14	26AZ10HA18	HOLLOW ALT.
15	117	Mechanical Input Hp	3.62	26AZ15L56	26AZ15L14	26AZ15L18	L
		Thermal Input Hp	4.15	26AZ15R56	26AZ15R14	26AZ15R18	R
		Output Torque (lb.in.)	1708	26AZ15LR56	26AZ15LR14	26AZ15LR18	LR
		Mechanical Output Hp	3.16	26AZ15H56	26AZ15H14	26AZ15H18	HOLLOW
		Output OHL (lbs.)	1610	26AZ15HA56	26AZ15HA14	26AZ15HA18	HOLLOW ALT.
20	88	Mechanical Input Hp	2.71	26AZ20L56	26AZ20L14		L
		Thermal Input Hp	3.71	26AZ20R56	26AZ20R14		R
		Output Torque (lb.in.)	1673	26AZ20LR56	26AZ20LR14		LR
		Mechanical Output Hp	2.32	26AZ20H56	26AZ20H14		HOLLOW
		Output OHL (lbs.)	1610	26AZ20HA56	26AZ20HA14		HOLLOW ALT.
25	70	Mechanical Input Hp	2.26	26AZ25L56	26AZ25L14		L
		Thermal Input Hp	3.00	26AZ25R56	26AZ25R14		R
		Output Torque (lb.in.)	1677	26AZ25LR56	26AZ25LR14		LR
		Mechanical Output Hp	1.86	26AZ25H56	26AZ25H14		HOLLOW
		Output OHL (lbs.)	1610	26AZ25HA56	26AZ25HA14		HOLLOW ALT.
30	58	Mechanical Input Hp	2.00	26AZ30L56	26AZ30L14		L
		Thermal Input Hp	2.79	26AZ30R56	26AZ30R14		R
		Output Torque (lb.in.)	1705	26AZ30LR56	26AZ30LR14		LR
		Mechanical Output Hp	1.58	26AZ30H56	26AZ30H14		HOLLOW
		Output OHL (lbs.)	1610	26AZ30HA56	26AZ30HA14		HOLLOW ALT.
40	44	Mechanical Input Hp	1.55	26AZ40L56	26AZ40L14		L
		Thermal Input Hp	2.14	26AZ40R56	26AZ40R14		R
		Output Torque (lb.in.)	1685	26AZ40LR56	26AZ40LR14		LR
		Mechanical Output Hp	1.17	26AZ40H56	26AZ40H14		HOLLOW
		Output OHL (lbs.)	1610	26AZ40HA56	26AZ40HA14		HOLLOW ALT.
50	35	Mechanical Input Hp	1.32	26AZ50L56	26AZ50L14		L
		Thermal Input Hp	1.76	26AZ50R56	26AZ50R14		R
		Output Torque (lb.in.)	1662	26AZ50LR56	26AZ50LR14		LR
		Mechanical Output Hp	0.92	26AZ50H56	26AZ50H14		HOLLOW
		Output OHL (lbs.)	1610	26AZ50HA56	26AZ50HA14		HOLLOW ALT.
60	29	Mechanical Input Hp	1.08	26AZ60L56	26AZ60L14		L
		Thermal Input Hp	1.57	26AZ60R56	26AZ60R14		R
		Output Torque (lb.in.)	1547	26AZ60LR56	26AZ60LR14		LR
		Mechanical Output Hp	0.72	26AZ60H56	26AZ60H14		HOLLOW
		Output OHL (lbs.)	1610	26AZ60HA56	26AZ60HA14		HOLLOW ALT.

Note: Reducers are shipped without a mounting base.

Washdown accessories available in Modifications / Accessories section.

Refer to page G4-119 for hollow bore bushing selections

Refer to page G4-55 for dimensions

FEATURES/BENEFITS PAGE G4-2	SPECIFICATION PAGE G4-8	NOMENCLATURE PAGE G4-9	RATINGS/DIMENSIONS PAGE G4-16
--------------------------------	----------------------------	---------------------------	----------------------------------



WASHDOWN PRODUCTS

TIGEAR-2 E-Z KLEEN Reducers With Quill Input - Size 30

Ratio	Output RPM	Rating Data		Part Number			Shaft
		1750 Input RPM		56C	140TC	180TC	Position
5	350	Mechanical Input Hp	10.84		30QZ05L14	30QZ05L18	L
		Thermal Input Hp	12.53		30QZ05R14	30QZ05R18	R
		Output Torque (lb.in.)	1849		30QZ05LR14	30QZ05LR18	LR
		Mechanical Output Hp	10.27		30QZ05H14	30QZ05H18	HOLLOW
		Output OHL (lbs.)	1330				HOLLOW ALT.
7.5	233	Mechanical Input Hp	8.74		30QZ07L14	30QZ07L18	L
		Thermal Input Hp	9.64		30QZ07R14	30QZ07R18	R
		Output Torque (lb.in.)	2171		30QZ07LR14	30QZ07LR18	LR
		Mechanical Output Hp	8.15		30QZ07H14	30QZ07H18	HOLLOW
		Output OHL (lbs.)	1540				HOLLOW ALT.
10	175	Mechanical Input Hp	7.11		30QZ10L14	30QZ10L18	L
		Thermal Input Hp	7.85		30QZ10R14	30QZ10R18	R
		Output Torque (lb.in.)	2347		30QZ10LR14	30QZ10LR18	LR
		Mechanical Output Hp	6.52		30QZ10H14	30QZ10H18	HOLLOW
		Output OHL (lbs.)	1720				HOLLOW ALT.
15	117	Mechanical Input Hp	5.00		30QZ15L14	30QZ15L18	L
		Thermal Input Hp	5.72		30QZ15R14	30QZ15R18	R
		Output Torque (lb.in.)	2371		30QZ15LR14	30QZ15LR18	LR
		Mechanical Output Hp	4.39		30QZ15H14	30QZ15H18	HOLLOW
		Output OHL (lbs.)	2300				HOLLOW ALT.
20	88	Mechanical Input Hp	3.81	30QZ20L56	30QZ20L14	30QZ20L18	L
		Thermal Input Hp	4.52	30QZ20R56	30QZ20R14	30QZ20R18	R
		Output Torque (lb.in.)	2345	30QZ20LR56	30QZ20LR14	30QZ20LR18	LR
		Mechanical Output Hp	3.26	30QZ20H56	30QZ20H14	30QZ20H18	HOLLOW
		Output OHL (lbs.)	2300				HOLLOW ALT.
25	70	Mechanical Input Hp	3.05	30QZ25L56	30QZ25L14	30QZ25L18	L
		Thermal Input Hp	3.90	30QZ25R56	30QZ25R14	30QZ25R18	R
		Output Torque (lb.in.)	2284	30QZ25LR56	30QZ25LR14	30QZ25LR18	LR
		Mechanical Output Hp	2.54	30QZ25H56	30QZ25H14	30QZ25H18	HOLLOW
		Output OHL (lbs.)	2300				HOLLOW ALT.
30	58	Mechanical Input Hp	2.75	30QZ30L56	30QZ30L14		L
		Thermal Input Hp	3.58		30QZ30R14		R
		Output Torque (lb.in.)	2417	30QZ30LR56	30QZ30LR14		LR
		Mechanical Output Hp	2.24	30QZ30H56	30QZ30H14		HOLLOW
		Output OHL (lbs.)	2300				HOLLOW ALT.
40	44	Mechanical Input Hp	2.09	30QZ40L56	30QZ40L14		L
		Thermal Input Hp	2.87	30QZ40R56	30QZ40R14		R
		Output Torque (lb.in.)	2324	30QZ40LR56	30QZ40LR14		LR
		Mechanical Output Hp	1.61	30QZ40H56	30QZ40H14		HOLLOW
		Output OHL (lbs.)	2300				HOLLOW ALT.
50	35	Mechanical Input Hp	1.75	30QZ50L56	30QZ50L14		L
		Thermal Input Hp	2.34	30QZ50R56	30QZ50R14		R
		Output Torque (lb.in.)	2257	30QZ50LR56	30QZ50LR14		LR
		Mechanical Output Hp	1.25	30QZ50H56	30QZ50H14		HOLLOW
		Output OHL (lbs.)	2300				HOLLOW ALT.
60	29	Mechanical Input Hp	1.50	30QZ60L56	30QZ60L14		L
		Thermal Input Hp	2.01	30QZ60R56	30QZ60R14		R
		Output Torque (lb.in.)	2138	30QZ60LR56	30QZ60LR14		LR
		Mechanical Output Hp	0.99	30QZ60H56	30QZ60H14		HOLLOW
		Output OHL (lbs.)	2300				HOLLOW ALT.

Note: Reducers are shipped without a mounting base.
Washdown accessories available in Modifications / Accessories section.

Refer to page G4-119 for hollow bore bushing selections
Refer to page G4-57 for dimensions

FEATURES/BENEFITS PAGE G4-2	SPECIFICATION PAGE G4-8	NOMENCLATURE PAGE G4-9	RATINGS/DIMENSIONS PAGE G4-16
--------------------------------	----------------------------	---------------------------	----------------------------------



WASHDOWN PRODUCTS

TIGEAR-2 E-Z KLEEN Reducers With 3-Piece Coupled Input - Size 30

3-Piece Coupled units include a Separate reducer, 3-piece coupling and motor adapter housing assembled together.

Ratio	Output RPM	Rating Data		Part Number			Shaft
		1750 Input RPM		56C	140TC	180TC	Position
5	350	Mechanical Input Hp	10.84		30AZ05L14	30AZ05L18	L
		Thermal Input Hp	12.53		30AZ05R14	30AZ05R18	R
		Output Torque (lb.in.)	1849		30AZ05LR14	30AZ05LR18	LR
		Mechanical Output Hp	10.27		30AZ05H14	30AZ05H18	HOLLOW
		Output OHL (lbs.)	1330				HOLLOW ALT.
7.5	233	Mechanical Input Hp	8.74		30AZ07L14	30AZ07L18	L
		Thermal Input Hp	9.64		30AZ07R14	30AZ07R18	R
		Output Torque (lb.in.)	2171		30AZ07LR14	30AZ07LR18	LR
		Mechanical Output Hp	8.15		30AZ07H14	30AZ07H18	HOLLOW
		Output OHL (lbs.)	1540				HOLLOW ALT.
10	175	Mechanical Input Hp	7.11		30AZ10L14	30AZ10L18	L
		Thermal Input Hp	7.85		30AZ10R14	30AZ10R18	R
		Output Torque (lb.in.)	2347		30AZ10LR14	30AZ10LR18	LR
		Mechanical Output Hp	6.52		30AZ10H14	30AZ10H18	HOLLOW
		Output OHL (lbs.)	1720				HOLLOW ALT.
15	117	Mechanical Input Hp	5.00		30AZ15L14	30AZ15L18	L
		Thermal Input Hp	5.72		30AZ15R14	30AZ15R18	R
		Output Torque (lb.in.)	2371		30AZ15LR14	30AZ15LR18	LR
		Mechanical Output Hp	4.39		30AZ15H14	30AZ15H18	HOLLOW
		Output OHL (lbs.)	2300				HOLLOW ALT.
20	88	Mechanical Input Hp	3.81	30AZ20L56	30AZ20L14	30AZ20L18	L
		Thermal Input Hp	4.52	30AZ20R56	30AZ20R14	30AZ20R18	R
		Output Torque (lb.in.)	2345	30AZ20LR56	30AZ20LR14	30AZ20LR18	LR
		Mechanical Output Hp	3.26	30AZ20H56	30AZ20H14	30AZ20H18	HOLLOW
		Output OHL (lbs.)	2300				HOLLOW ALT.
25	70	Mechanical Input Hp	3.05	30AZ25L56	30AZ25L14	30AZ25L18	L
		Thermal Input Hp	3.90	30AZ25R56	30AZ25R14	30AZ25R18	R
		Output Torque (lb.in.)	2284	30AZ25LR56	30AZ25LR14	30AZ25LR18	LR
		Mechanical Output Hp	2.54	30AZ25H56	30AZ25H14	30AZ25H18	HOLLOW
		Output OHL (lbs.)	2300				HOLLOW ALT.
30	58	Mechanical Input Hp	2.75	30AZ30L56	30AZ30L14		L
		Thermal Input Hp	3.58	30AZ30R56	30AZ30R14		R
		Output Torque (lb.in.)	2417	30AZ30LR56	30AZ30LR14		LR
		Mechanical Output Hp	2.24	30AZ30H56	30AZ30H14		HOLLOW
		Output OHL (lbs.)	2300				HOLLOW ALT.
40	44	Mechanical Input Hp	2.09	30AZ40L56	30AZ40L14		L
		Thermal Input Hp	2.87	30AZ40R56	30AZ40R14		R
		Output Torque (lb.in.)	2324	30AZ40LR56	30AZ40LR14		LR
		Mechanical Output Hp	1.61	30AZ40H56	30AZ40H14		HOLLOW
		Output OHL (lbs.)	2300				HOLLOW ALT.
50	35	Mechanical Input Hp	1.75	30AZ50L56	30AZ50L14		L
		Thermal Input Hp	2.34	30AZ50R56	30AZ50R14		R
		Output Torque (lb.in.)	2257	30AZ50LR56	30AZ50LR14		LR
		Mechanical Output Hp	1.25	30AZ50H56	30AZ50H14		HOLLOW
		Output OHL (lbs.)	2300				HOLLOW ALT.
60	29	Mechanical Input Hp	1.50	30AZ60L56	30AZ60L14		L
		Thermal Input Hp	2.01	30AZ60R56	30AZ60R14		R
		Output Torque (lb.in.)	2138	30AZ60LR56	30AZ60LR14		LR
		Mechanical Output Hp	0.99	30AZ60H56	30AZ60H14		HOLLOW
		Output OHL (lbs.)	2300				HOLLOW ALT.

Note: Reducers are shipped without a mounting base.

Washdown accessories available in Modifications / Accessories section.

Refer to page G4-119 for hollow bore bushing selections

Refer to page G4-61 for dimensions

FEATURES/BENEFITS PAGE G4-2	SPECIFICATION PAGE G4-8	NOMENCLATURE PAGE G4-9	RATINGS/DIMENSIONS PAGE G4-16
--------------------------------	----------------------------	---------------------------	----------------------------------



WASHDOWN PRODUCTS

TIGEAR-2 E-Z KLEEN Reducers With Quill Input - Size 35

Ratio	Output RPM	Rating Data 1750 Input RPM		Part Number				Shaft Position
				56C	140TC	180TC	210TC	
5	350	Mechanical Input Hp	15.18		35QZ05L14	35QZ05L18	35QZ05L21	L
		Thermal Input Hp	15.51		35QZ05R14	35QZ05R18	35QZ05R21	R
		Output Torque (lb.in.)	2593		35QZ05LR14	35QZ05LR18	35QZ05LR21	LR
		Mechanical Output Hp	14.40		35QZ05H14	35QZ05H18	35QZ05H21	HOLLOW
		Output OHL (lbs.)	2120					HOLLOW ALT.
7.5	233	Mechanical Input Hp	12.24		35QZ07L14	35QZ07L18	35QZ07L21	L
		Thermal Input Hp	12.52		35QZ07R14	35QZ07R18	35QZ07R21	R
		Output Torque (lb.in.)	3054		35QZ07LR14	35QZ07LR18	35QZ07LR21	LR
		Mechanical Output Hp	11.46		35QZ07H14	35QZ07H18	35QZ07H21	HOLLOW
		Output OHL (lbs.)	2430					HOLLOW ALT.
10	175	Mechanical Input Hp	10.00		35QZ10L14	35QZ10L18	35QZ10L21	L
		Thermal Input Hp	10.63		35QZ10R14	35QZ10R18	35QZ10R21	R
		Output Torque (lb.in.)	3310		35QZ10LR14	35QZ10LR18	35QZ10LR21	LR
		Mechanical Output Hp	9.19		35QZ10H14	35QZ10H18	35QZ10H21	HOLLOW
		Output OHL (lbs.)	2700					HOLLOW ALT.
15	117	Mechanical Input Hp	7.44		35QZ15L14	35QZ15L18		L
		Thermal Input Hp	7.56		35QZ15R14	35QZ15R18		R
		Output Torque (lb.in.)	3599		35QZ15LR14	35QZ15LR18		LR
		Mechanical Output Hp	6.66		35QZ15H14	35QZ15H18		HOLLOW
		Output OHL (lbs.)	2760					HOLLOW ALT.
20	88	Mechanical Input Hp	5.79		35QZ20L14	35QZ20L18		L
		Thermal Input Hp	5.97		35QZ20R14	35QZ20R18		R
		Output Torque (lb.in.)	3620		35QZ20LR14	35QZ20LR18		LR
		Mechanical Output Hp	5.03		35QZ20H14	35QZ20H18		HOLLOW
		Output OHL (lbs.)	2760					HOLLOW ALT.
25	70	Mechanical Input Hp	4.72		35QZ25L14	35QZ25L18		L
		Thermal Input Hp	5.10		35QZ25R14	35QZ25R18		R
		Output Torque (lb.in.)	3586		35QZ25LR14	35QZ25LR18		LR
		Mechanical Output Hp	3.98		35QZ25H14	35QZ25H18		HOLLOW
		Output OHL (lbs.)	2760					HOLLOW ALT.
30	58	Mechanical Input Hp	4.15	35QZ30L56	35QZ30L14	35QZ30L18		L
		Thermal Input Hp	4.43	35QZ30R56	35QZ30R14	35QZ30R18		R
		Output Torque (lb.in.)	3682	35QZ30LR56	35QZ30LR14	35QZ30LR18		LR
		Mechanical Output Hp	3.41	35QZ30H56	35QZ30H14	35QZ30H18		HOLLOW
		Output OHL (lbs.)	2760					HOLLOW ALT.
40	44	Mechanical Input Hp	3.23	35QZ40L56	35QZ40L14	35QZ40L18		L
		Thermal Input Hp	3.54	35QZ40R56	35QZ40R14	35QZ40R18		R
		Output Torque (lb.in.)	3622	35QZ40LR56	35QZ40LR14	35QZ40LR18		LR
		Mechanical Output Hp	2.51	35QZ40H56	35QZ40H14	35QZ40H18		HOLLOW
		Output OHL (lbs.)	2760					HOLLOW ALT.
50	35	Mechanical Input Hp	2.64	35QZ50L56	35QZ50L14			L
		Thermal Input Hp	2.94	35QZ50R56	35QZ50R14			R
		Output Torque (lb.in.)	3485	35QZ50LR56	35QZ50LR14			LR
		Mechanical Output Hp	1.94	35QZ50H56	35QZ50H14			HOLLOW
		Output OHL (lbs.)	2760					HOLLOW ALT.
60	29	Mechanical Input Hp	2.19	35QZ60L56	35QZ60L14			L
		Thermal Input Hp	2.43	35QZ60R56	35QZ60R14			R
		Output Torque (lb.in.)	3194	35QZ60LR56	35QZ60LR14			LR
		Mechanical Output Hp	1.48	35QZ60H56	35QZ60H14			HOLLOW
		Output OHL (lbs.)	2760					HOLLOW ALT.

Note: Reducers are shipped without a mounting base.
Washdown accessories available in Modifications / Accessories section.

Refer to page G4-119 for hollow bore bushing selections

Refer to page G4-63 for dimensions

FEATURES/BENEFITS PAGE G4-2	SPECIFICATION PAGE G4-8	NOMENCLATURE PAGE G4-9	RATINGS/DIMENSIONS PAGE G4-16
--------------------------------	----------------------------	---------------------------	----------------------------------



WASHDOWN PRODUCTS

TIGEAR-2 E-Z KLEEN Reducers With 3-Piece Coupled Input - Size 35

3-Piece Coupled units include a Separate reducer, 3-piece coupling and motor adapter housing assembled together.

Ratio	Output RPM	Rating Data 1750 Input RPM		Part Number				Shaft Position
				56C	140TC	180TC	210TC	
5	350	Mechanical Input Hp	15.18		35AZ05L14	35AZ05L18	35AZ05L21	L
		Thermal Input Hp	15.51		35AZ05R14	35AZ05R18	35AZ05R21	R
		Output Torque (lb.in.)	2593		35AZ05LR14	35AZ05LR18	35AZ05LR21	LR
		Mechanical Output Hp	14.40		35AZ05H14	35AZ05H18	35AZ05H21	HOLLOW
		Output OHL (lbs.)	2120					HOLLOW ALT.
7.5	233	Mechanical Input Hp	12.24		35AZ07L14	35AZ07L18	35AZ07L21	L
		Thermal Input Hp	12.52		35AZ07R14	35AZ07R18	35AZ07R21	R
		Output Torque (lb.in.)	3054		35AZ07LR14	35AZ07LR18	35AZ07LR21	LR
		Mechanical Output Hp	11.46		35AZ07H14	35AZ07H18	35AZ07H21	HOLLOW
		Output OHL (lbs.)	2430					HOLLOW ALT.
10	175	Mechanical Input Hp	10.00		35AZ10L14	35AZ10L18	35AZ10L21	L
		Thermal Input Hp	10.63		35AZ10R14	35AZ10R18	35AZ10R21	R
		Output Torque (lb.in.)	3310		35AZ10LR14	35AZ10LR18	35AZ10LR21	LR
		Mechanical Output Hp	9.19		35AZ10H14	35AZ10H18	35AZ10H21	HOLLOW
		Output OHL (lbs.)	2700					HOLLOW ALT.
15	117	Mechanical Input Hp	7.44		35AZ15L14	35AZ15L18		L
		Thermal Input Hp	7.56		35AZ15R14	35AZ15R18		R
		Output Torque (lb.in.)	3599		35AZ15LR14	35AZ15LR18		LR
		Mechanical Output Hp	6.66		35AZ15H14	35AZ15H18		HOLLOW
		Output OHL (lbs.)	2760					HOLLOW ALT.
20	88	Mechanical Input Hp	5.79		35AZ20L14	35AZ20L18		L
		Thermal Input Hp	5.97		35AZ20R14	35AZ20R18		R
		Output Torque (lb.in.)	3620		35AZ20LR14	35AZ20LR18		LR
		Mechanical Output Hp	5.03		35AZ20H14	35AZ20H18		HOLLOW
		Output OHL (lbs.)	2760					HOLLOW ALT.
25	70	Mechanical Input Hp	4.72		35AZ25L14	35AZ25L18		L
		Thermal Input Hp	5.10		35AZ25R14	35AZ25R18		R
		Output Torque (lb.in.)	3586		35AZ25LR14	35AZ25LR18		LR
		Mechanical Output Hp	3.98		35AZ25H14	35AZ25H18		HOLLOW
		Output OHL (lbs.)	2760					HOLLOW ALT.
30	58	Mechanical Input Hp	4.15	35AZ30L56	35AZ30L14	35AZ30L18		L
		Thermal Input Hp	4.43	35AZ30R56	35AZ30R14	35AZ30R18		R
		Output Torque (lb.in.)	3682	35AZ30LR56	35AZ30LR14	35AZ30LR18		LR
		Mechanical Output Hp	3.41	35AZ30H56	35AZ30H14	35AZ30H18		HOLLOW
		Output OHL (lbs.)	2760					HOLLOW ALT.
40	44	Mechanical Input Hp	3.23	35AZ40L56	35AZ40L14	35AZ40L18		L
		Thermal Input Hp	3.54	35AZ40R56	35AZ40R14	35AZ40R18		R
		Output Torque (lb.in.)	3622	35AZ40LR56	35AZ40LR14	35AZ40LR18		LR
		Mechanical Output Hp	2.51	35AZ40H56	35AZ40H14	35AZ40H18		HOLLOW
		Output OHL (lbs.)	2760					HOLLOW ALT.
50	35	Mechanical Input Hp	2.64	35AZ50L56	35AZ50L14			L
		Thermal Input Hp	2.94	35AZ50R56	35AZ50R14			R
		Output Torque (lb.in.)	3485	35AZ50LR56	35AZ50LR14			LR
		Mechanical Output Hp	1.94	35AZ50H56	35AZ50H14			HOLLOW
		Output OHL (lbs.)	2760					HOLLOW ALT.
60	29	Mechanical Input Hp	2.19	35AZ60L56	35AZ60L14			L
		Thermal Input Hp	2.43	35AZ60R56	35AZ60R14			R
		Output Torque (lb.in.)	3194	35AZ60LR56	35AZ60LR14			LR
		Mechanical Output Hp	1.48	35AZ60H56	35AZ60H14			HOLLOW
		Output OHL (lbs.)	2760					HOLLOW ALT.

Note: Reducers are shipped without a mounting base.
Washdown accessories available in Modifications / Accessories section.

Refer to page G4-119 for hollow bore bushing selections

Refer to page G4-67 for dimensions

FEATURES/BENEFITS PAGE G4-2	SPECIFICATION PAGE G4-8	NOMENCLATURE PAGE G4-9	RATINGS/DIMENSIONS PAGE G4-16
--------------------------------	----------------------------	---------------------------	----------------------------------



WASHDOWN PRODUCTS

TIGEAR-2 ULTRA KLEEN Reducers With Quill Input - Size 17

Ratio	Output RPM	Rating Data 1750 Input RPM		Part Number		Shaft Position
				56C	140TC	
5	350	Mechanical Input Hp	2.59	17QS05L56	17QS05L14	L
		Thermal Input Hp	3.97	17QS05R56	17QS05R14	R
		Output Torque (lb.in.)	430	17QS05LR56	17QS05LR14	LR
		Mechanical Output Hp	2.39	17QS05H56	17QS05H14	HOLLOW
		Output OHL (lbs.)	1050			
7.5	233	Mechanical Input Hp	2.06	17QS07L56	17QS07L14	L
		Thermal Input Hp	3.42	17QS07R56	17QS07R14	R
		Output Torque (lb.in.)	500	17QS07LR56	17QS07LR14	LR
		Mechanical Output Hp	1.88	17QS07H56	17QS07H14	HOLLOW
		Output OHL (lbs.)	1190			
10	175	Mechanical Input Hp	1.67	17QS10L56	17QS10L14	L
		Thermal Input Hp	2.76	17QS10R56	17QS10R14	R
		Output Torque (lb.in.)	534	17QS10LR56	17QS10LR14	LR
		Mechanical Output Hp	1.48	17QS10H56	17QS10H14	HOLLOW
		Output OHL (lbs.)	1190			
15	117	Mechanical Input Hp	1.27	17QS15L56	17QS15L14	L
		Thermal Input Hp	2.01	17QS15R56	17QS15R14	R
		Output Torque (lb.in.)	583	17QS15LR56	17QS15LR14	LR
		Mechanical Output Hp	1.08	17QS15H56	17QS15H14	HOLLOW
		Output OHL (lbs.)	1190			
20	88	Mechanical Input Hp	1.03	17QS20L56	17QS20L14	L
		Thermal Input Hp	1.58	17QS20R56	17QS20R14	R
		Output Torque (lb.in.)	602	17QS20LR56	17QS20LR14	LR
		Mechanical Output Hp	0.84	17QS20H56	17QS20H14	HOLLOW
		Output OHL (lbs.)	1190			
25	70	Mechanical Input Hp	0.88	17QS25L56		L
		Thermal Input Hp	1.28	17QS25R56		R
		Output Torque (lb.in.)	609	17QS25LR56		LR
		Mechanical Output Hp	0.68	17QS25H56		HOLLOW
		Output OHL (lbs.)	1190			
30	58	Mechanical Input Hp	0.76	17QS30L56		L
		Thermal Input Hp	1.20	17QS30R56		R
		Output Torque (lb.in.)	615	17QS30LR56		LR
		Mechanical Output Hp	0.57	17QS30H56		HOLLOW
		Output OHL (lbs.)	1190			
40	44	Mechanical Input Hp	0.60	17QS40L56		L
		Thermal Input Hp	1.09	17QS40R56		R
		Output Torque (lb.in.)	627	17QS40LR56		LR
		Mechanical Output Hp	0.43	17QS40H56		HOLLOW
		Output OHL (lbs.)	1190			
50	35	Mechanical Input Hp	0.51	17QS50L56		L
		Thermal Input Hp	0.90	17QS50R56		R
		Output Torque (lb.in.)	608	17QS50LR56		LR
		Mechanical Output Hp	0.34	17QS50H56		HOLLOW
		Output OHL (lbs.)	1190			
60	29	Mechanical Input Hp	0.43	17QS60L56		L
		Thermal Input Hp	0.80	17QS60R56		R
		Output Torque (lb.in.)	576	17QS60LR56		LR
		Mechanical Output Hp	0.27	17QS60H56		HOLLOW
		Output OHL (lbs.)	1190			

Note: Reducers are shipped without a mounting base.
Washdown accessories available in Modifications / Accessories section.

Refer to page G4-119 for hollow bore bushing selections

Refer to page G4-104 and G4-105 for dimensions

FEATURES/BENEFITS PAGE G4-2	SPECIFICATION PAGE G4-8	NOMENCLATURE PAGE G4-9	RATINGS/DIMENSIONS PAGE G4-16
--------------------------------	----------------------------	---------------------------	----------------------------------



WASHDOWN PRODUCTS

TIGEAR-2 ULTRA KLEEN Reducers With 3-Piece Coupled Input - Size 17

3-Piece Coupled units include a Separate reducer, 3-piece coupling and motor adapter housing assembled together.

Ratio	Output RPM	Rating Data		Part Number		Shaft Position
		1750 Input RPM		56C	140TC	
5	350	Mechanical Input Hp	2.59	17AS05L56	17AS05L14	L
		Thermal Input Hp	3.97	17AS05R56	17AS05R14	R
		Output Torque (lb.in.)	430	17AS05LR56	17AS05LR14	LR
		Mechanical Output Hp	2.39	17AS05H56	17AS05H14	HOLLOW
		Output OHL (lbs.)	1050			
7.5	233	Mechanical Input Hp	2.06	17AS07L56	17AS07L14	L
		Thermal Input Hp	3.42	17AS07R56	17AS07R14	R
		Output Torque (lb.in.)	500	17AS07LR56	17AS07LR14	LR
		Mechanical Output Hp	1.88	17AS07H56	17AS07H14	HOLLOW
		Output OHL (lbs.)	1190			
10	175	Mechanical Input Hp	1.67	17AS10L56	17AS10L14	L
		Thermal Input Hp	2.76	17AS10R56	17AS10R14	R
		Output Torque (lb.in.)	534	17AS10LR56	17AS10LR14	LR
		Mechanical Output Hp	1.48	17AS10H56	17AS10H14	HOLLOW
		Output OHL (lbs.)	1190			
15	117	Mechanical Input Hp	1.27	17AS15L56	17AS15L14	L
		Thermal Input Hp	2.01	17AS15R56	17AS15R14	R
		Output Torque (lb.in.)	583	17AS15LR56	17AS15LR14	LR
		Mechanical Output Hp	1.08	17AS15H56	17AS15H14	HOLLOW
		Output OHL (lbs.)	1190			
20	88	Mechanical Input Hp	1.03	17AS20L56	17AS20L14	L
		Thermal Input Hp	1.58	17AS20R56	17AS20R14	R
		Output Torque (lb.in.)	602	17AS20LR56	17AS20LR14	LR
		Mechanical Output Hp	0.84	17AS20H56	17AS20H14	HOLLOW
		Output OHL (lbs.)	1190			
25	70	Mechanical Input Hp	0.88	17AS25L56		L
		Thermal Input Hp	1.28	17AS25R56		R
		Output Torque (lb.in.)	609	17AS25LR56		LR
		Mechanical Output Hp	0.68	17AS25H56		HOLLOW
		Output OHL (lbs.)	1190			
30	58	Mechanical Input Hp	0.76	17AS30L56		L
		Thermal Input Hp	1.20	17AS30R56		R
		Output Torque (lb.in.)	615	17AS30LR56		LR
		Mechanical Output Hp	0.57	17AS30H56		HOLLOW
		Output OHL (lbs.)	1190			
40	44	Mechanical Input Hp	0.60	17AS40L56		L
		Thermal Input Hp	1.09	17AS40R56		R
		Output Torque (lb.in.)	627	17AS40LR56		LR
		Mechanical Output Hp	0.43	17AS40H56		HOLLOW
		Output OHL (lbs.)	1190			
50	35	Mechanical Input Hp	0.51	17AS50L56		L
		Thermal Input Hp	0.90	17AS50R56		R
		Output Torque (lb.in.)	608	17AS50LR56		LR
		Mechanical Output Hp	0.34	17AS50H56		HOLLOW
		Output OHL (lbs.)	1190			
60	29	Mechanical Input Hp	0.43	17AS60L56		L
		Thermal Input Hp	0.80	17AS60R56		R
		Output Torque (lb.in.)	576	17AS60LR56		LR
		Mechanical Output Hp	0.27	17AS60H56		HOLLOW
		Output OHL (lbs.)	1190			

Note: Reducers are shipped without a mounting base.
Washdown accessories available in Modifications / Accessories section.

Refer to page G4-119 for hollow bore bushing selections

Refer to page G4-106 and G4-107 for dimensions

FEATURES/BENEFITS PAGE G4-2	SPECIFICATION PAGE G4-8	NOMENCLATURE PAGE G4-9	RATINGS/DIMENSIONS PAGE G4-16
--------------------------------	----------------------------	---------------------------	----------------------------------



WASHDOWN PRODUCTS

DODGE ULTRA KLEEN Reducers With Quill Input - Size 21

Ratio	Output RPM	Rating Data 1750 Input RPM		Part Number		Shaft Position
				56C	140TC	
5	350	Mechanical Input Hp	3.14	21QS05L56	21QS05L14	L
		Thermal Input Hp	*	21QS05R56	21QS05R14	R
		Output Torque (lb.in.)	514	21QS05H56	21QS05H14	HOLLOW
		Mechanical Output Hp	2.85			
		Output OHL (lbs.)	750			
7.5	233	Mechanical Input Hp	2.70	21QS07L56	21QS07L14	L
		Thermal Input Hp	*	21QS07R56	21QS07R14	R
		Output Torque (lb.in.)	640	21QS07H56	21QS07H14	HOLLOW
		Mechanical Output Hp	2.37			
		Output OHL (lbs.)	750			
10	175	Mechanical Input Hp	2.02	21QS10L56	21QS10L14	L
		Thermal Input Hp	*	21QS10R56	21QS10R14	R
		Output Torque (lb.in.)	630	21QS10H56	21QS10H14	HOLLOW
		Mechanical Output Hp	1.75			
		Output OHL (lbs.)	750			
15	117	Mechanical Input Hp	1.35	21QS15L56	21QS15L14	L
		Thermal Input Hp	*	21QS15R56	21QS15R14	R
		Output Torque (lb.in.)	664	21QS15H56	21QS15H14	HOLLOW
		Mechanical Output Hp	1.23			
		Output OHL (lbs.)	750			
20	88	Mechanical Input Hp	1.06	21QS20L56	21QS20L14	L
		Thermal Input Hp	*	21QS20R56	21QS20R14	R
		Output Torque (lb.in.)	684	21QS20H56	21QS20H14	HOLLOW
		Mechanical Output Hp	0.96			
		Output OHL (lbs.)	750			
25	70	Mechanical Input Hp	0.89	21QS25L56	21QS25L14	L
		Thermal Input Hp	*	21QS25R56	21QS25R14	R
		Output Torque (lb.in.)	675	21QS25H56	21QS25H14	HOLLOW
		Mechanical Output Hp	0.75			
		Output OHL (lbs.)	750			
30	58	Mechanical Input Hp	0.83	21QS30L56		L
		Thermal Input Hp	*	21QS30R56		R
		Output Torque (lb.in.)	691	21QS30H56		HOLLOW
		Mechanical Output Hp	0.64			
		Output OHL (lbs.)	750			
40	44	Mechanical Input Hp	0.66	21QS40L56		L
		Thermal Input Hp	*	21QS40R56		R
		Output Torque (lb.in.)	680	21QS40H56		HOLLOW
		Mechanical Output Hp	0.47			
		Output OHL (lbs.)	750			
50	35	Mechanical Input Hp	0.58	21QS50L56		L
		Thermal Input Hp	*	21QS50R56		R
		Output Torque (lb.in.)	651	21QS50H56		HOLLOW
		Mechanical Output Hp	0.36			
		Output OHL (lbs.)	750			
60	29	Mechanical Input Hp	0.50	21QS60L56		L
		Thermal Input Hp	*	21QS60R56		R
		Output Torque (lb.in.)	634	21QS60H56		HOLLOW
		Mechanical Output Hp	0.29			
		Output OHL (lbs.)	750			

* Reducers will operate continuously up to the mechanical rating without exceeding the thermal limit (at 70F).

Note: 3-Piece Coupled Input Style not available for size 21 DODGE ULTRA KLEEN Reducer

Reducers are shipped without a mounting base.

Washdown accessories available in Modifications / Accessories section.

Refer to page G4-119 for hollow bore bushing selections

Refer to page G4-104 and G4-105 for dimensions

FEATURES/BENEFITS PAGE G4-2	SPECIFICATION PAGE G4-8	NOMENCLATURE PAGE G4-9	RATINGS/DIMENSIONS PAGE G4-16
--------------------------------	----------------------------	---------------------------	----------------------------------



WASHDOWN PRODUCTS

TIGEAR-2 ULTRA KLEEN Reducers With Quill Input - Size 23

Ratio	Output RPM	Rating Data 1750 Input RPM		Part Number			Shaft Position
				56C	140TC	180TC	
5	350	Mechanical Input Hp	5.25	23QS05L56	23QS05L14	23QS05L18	L
		Thermal Input Hp	6.61	23QS05R56	23QS05R14	23QS05R18	R
		Output Torque (lb.in.)	881	23QS05LR56	23QS05LR14	23QS05LR18	LR
		Mechanical Output Hp	4.89	23QS05H56	23QS05H14	23QS05H18	HOLLOW
		Output OHL (lbs.)	1330	23QS05HA56	23QS05HA14	23QS05HA18	HOLLOW ALT.
7.5	233	Mechanical Input Hp	4.18	23QS07L56	23QS07L14	23QS07L18	L
		Thermal Input Hp	5.64	23QS07R56	23QS07R14	23QS07R18	R
		Output Torque (lb.in.)	1026	23QS07LR56	23QS07LR14	23QS07LR18	LR
		Mechanical Output Hp	3.85	23QS07H56	23QS07H14	23QS07H18	HOLLOW
		Output OHL (lbs.)	1520	23QS07HA56	23QS07HA14	23QS07HA18	HOLLOW ALT.
10	175	Mechanical Input Hp	3.42	23QS10L56	23QS10L14	23QS10L18	L
		Thermal Input Hp	4.40	23QS10R56	23QS10R14	23QS10R18	R
		Output Torque (lb.in.)	1106	23QS10LR56	23QS10LR14	23QS10LR18	LR
		Mechanical Output Hp	3.07	23QS10H56	23QS10H14	23QS10H18	HOLLOW
		Output OHL (lbs.)	1610	23QS10HA56	23QS10HA14	23QS10HA18	HOLLOW ALT.
15	117	Mechanical Input Hp	2.57	23QS15L56	23QS15L14		L
		Thermal Input Hp	3.30	23QS15R56	23QS15R14		R
		Output Torque (lb.in.)	1199	23QS15LR56	23QS15LR14		LR
		Mechanical Output Hp	2.22	23QS15H56	23QS15H14		HOLLOW
		Output OHL (lbs.)	1610	23QS15HA56	23QS15HA14		HOLLOW ALT.
20	88	Mechanical Input Hp	2.00	23QS20L56	23QS20L14		L
		Thermal Input Hp	2.62	23QS20R56	23QS20R14		R
		Output Torque (lb.in.)	1178	23QS20LR56	23QS20LR14		LR
		Mechanical Output Hp	1.64	23QS20H56	23QS20H14		HOLLOW
		Output OHL (lbs.)	1610	23QS20HA56	23QS20HA14		HOLLOW ALT.
25	70	Mechanical Input Hp	1.65	23QS25L56	23QS25L14		L
		Thermal Input Hp	2.16	23QS25R56	23QS25R14		R
		Output Torque (lb.in.)	1184	23QS25LR56	23QS25LR14		LR
		Mechanical Output Hp	1.32	23QS25H56	23QS25H14		HOLLOW
		Output OHL (lbs.)	1610	23QS25HA56	23QS25HA14		HOLLOW ALT.
30	58	Mechanical Input Hp	1.42	23QS30L56	23QS30L14		L
		Thermal Input Hp	2.06	23QS30R56	23QS30R14		R
		Output Torque (lb.in.)	1201	23QS30LR56	23QS30LR14		LR
		Mechanical Output Hp	1.11	23QS30H56	23QS30H14		HOLLOW
		Output OHL (lbs.)	1610	23QS30HA56	23QS30HA14		HOLLOW ALT.
40	44	Mechanical Input Hp	1.11	23QS40L56	23QS40L14		L
		Thermal Input Hp	1.73	23QS40R56	23QS40R14		R
		Output Torque (lb.in.)	1193	23QS40LR56	23QS40LR14		LR
		Mechanical Output Hp	0.83	23QS40H56	23QS40H14		HOLLOW
		Output OHL (lbs.)	1610	23QS40HA56	23QS40HA14		HOLLOW ALT.
50	35	Mechanical Input Hp	0.95	23QS50L56			L
		Thermal Input Hp	1.42	23QS50R56			R
		Output Torque (lb.in.)	1182	23QS50LR56			LR
		Mechanical Output Hp	0.66	23QS50H56			HOLLOW
		Output OHL (lbs.)	1610	23QS50HA56			HOLLOW ALT.
60	29	Mechanical Input Hp	0.80	23QS60L56			L
		Thermal Input Hp	1.24	23QS60R56			R
		Output Torque (lb.in.)	1111	23QS60LR56			LR
		Mechanical Output Hp	0.51	23QS60H56			HOLLOW
		Output OHL (lbs.)	1610	23QS60HA56			HOLLOW ALT.

Note: Reducers are shipped without a mounting base.

Washdown accessories available in Modifications / Accessories section.

Refer to page G4-119 for hollow bore bushing selections

Refer to page G4-104 and G4-105 for dimensions

FEATURES/BENEFITS PAGE G4-2	SPECIFICATION PAGE G4-8	NOMENCLATURE PAGE G4-9	RATINGS/DIMENSIONS PAGE G4-16
--------------------------------	----------------------------	---------------------------	----------------------------------



WASHDOWN PRODUCTS

TIGEAR-2 ULTRA KLEEN Reducers With 3-Piece Coupled Input - Size 23

3-Piece Coupled units include a Separate reducer, 3-piece coupling and motor adapter housing assembled together.

Ratio	Output RPM	Rating Data 1750 Input RPM		Part Number			Shaft Position
				56C	140TC	180TC	
5	350	Mechanical Input Hp	5.25	23AS05L56	23AS05L14	23AS05L18	L
		Thermal Input Hp	6.61	23AS05R56	23AS05R14	23AS05R18	R
		Output Torque (lb.in.)	881	23AS05LR56	23AS05LR14	23AS05LR18	LR
		Mechanical Output Hp	4.89	23AS05H56	23AS05H14	23AS05H18	HOLLOW
		Output OHL (lbs.)	1330	23AS05HA56	23AS05HA14	23AS05HA18	HOLLOW ALT.
7.5	233	Mechanical Input Hp	4.18	23AS07L56	23AS07L14	23AS07L18	L
		Thermal Input Hp	5.64	23AS07R56	23AS07R14	23AS07R18	R
		Output Torque (lb.in.)	1026	23AS07LR56	23AS07LR14	23AS07LR18	LR
		Mechanical Output Hp	3.85	23AS07H56	23AS07H14	23AS07H18	HOLLOW
		Output OHL (lbs.)	1520	23AS07HA56	23AS07HA14	23AS07HA18	HOLLOW ALT.
10	175	Mechanical Input Hp	3.42	23AS10L56	23AS10L14	23AS10L18	L
		Thermal Input Hp	4.40	23AS10R56	23AS10R14	23AS10R18	R
		Output Torque (lb.in.)	1106	23AS10LR56	23AS10LR14	23AS10LR18	LR
		Mechanical Output Hp	3.07	23AS10H56	23AS10H14	23AS10H18	HOLLOW
		Output OHL (lbs.)	1610	23AS10HA56	23AS10HA14	23AS10HA18	HOLLOW ALT.
15	117	Mechanical Input Hp	2.57	23AS15L56	23AS15L14		L
		Thermal Input Hp	3.30	23AS15R56	23AS15R14		R
		Output Torque (lb.in.)	1199	23AS15LR56	23AS15LR14		LR
		Mechanical Output Hp	2.22	23AS15H56	23AS15H14		HOLLOW
		Output OHL (lbs.)	1610	23AS15HA56	23AS15HA14		HOLLOW ALT.
20	88	Mechanical Input Hp	2.00	23AS20L56	23AS20L14		L
		Thermal Input Hp	2.62	23AS20R56	23AS20R14		R
		Output Torque (lb.in.)	1178	23AS20LR56	23AS20LR14		LR
		Mechanical Output Hp	1.64	23AS20H56	23AS20H14		HOLLOW
		Output OHL (lbs.)	1610	23AS20HA56	23AS20HA14		HOLLOW ALT.
25	70	Mechanical Input Hp	1.65	23AS25L56	23AS25L14		L
		Thermal Input Hp	2.16	23AS25R56	23AS25R14		R
		Output Torque (lb.in.)	1184	23AS25LR56	23AS25LR14		LR
		Mechanical Output Hp	1.32	23AS25H56	23AS25H14		HOLLOW
		Output OHL (lbs.)	1610	23AS25HA56	23AS25HA14		HOLLOW ALT.
30	58	Mechanical Input Hp	1.42	23AS30L56	23AS30L14		L
		Thermal Input Hp	2.06	23AS30R56	23AS30R14		R
		Output Torque (lb.in.)	1201	23AS30LR56	23AS30LR14		LR
		Mechanical Output Hp	1.11	23AS30H56	23AS30H14		HOLLOW
		Output OHL (lbs.)	1610	23AS30HA56	23AS30HA14		HOLLOW ALT.
40	44	Mechanical Input Hp	1.11	23AS40L56	23AS40L14		L
		Thermal Input Hp	1.73	23AS40R56	23AS40R14		R
		Output Torque (lb.in.)	1193	23AS40LR56	23AS40LR14		LR
		Mechanical Output Hp	0.83	23AS40H56	23AS40H14		HOLLOW
		Output OHL (lbs.)	1610	23AS40HA56	23AS40HA14		HOLLOW ALT.
50	35	Mechanical Input Hp	0.95	23AS50L56			L
		Thermal Input Hp	1.42	23AS50R56			R
		Output Torque (lb.in.)	1182	23AS50LR56			LR
		Mechanical Output Hp	0.66	23AS50H56			HOLLOW
		Output OHL (lbs.)	1610	23AS50HA56			HOLLOW ALT.
60	29	Mechanical Input Hp	0.80	23AS60L56			L
		Thermal Input Hp	1.24	23AS60R56			R
		Output Torque (lb.in.)	1111	23AS60LR56			LR
		Mechanical Output Hp	0.51	23AS60H56			HOLLOW
		Output OHL (lbs.)	1610	23AS60HA56			HOLLOW ALT.

Note: Reducers are shipped without a mounting base.
Washdown accessories available in Modifications / Accessories section.

Refer to page G4-119 for hollow bore bushing selections

Refer to page G4-106 and G4-107 for dimensions

FEATURES/BENEFITS PAGE G4-2	SPECIFICATION PAGE G4-8	NOMENCLATURE PAGE G4-9	RATINGS/DIMENSIONS PAGE G4-16
--------------------------------	----------------------------	---------------------------	----------------------------------



WASHDOWN PRODUCTS

DODGE ULTRA KLEEN Reducers With Quill Input - Size 26

Ratio	Output RPM	Rating Data 1750 Input RPM		Part Number			Shaft Position
				56C	140TC	180TC	
5	350	Mechanical Input Hp	5.43		26QS05L14	26QS05L18	L
		Thermal Input Hp	*		26QS05R14	26QS05R18	R
		Output Torque (lb.in.)	919				
		Mechanical Output Hp	5.10		26QS05H14	26QS05H18	HOLLOW
		Output OHL (lbs.)	1100				
7.5	233	Mechanical Input Hp	4.30	26QS07L56	26QS07L14	26QS07L18	L
		Thermal Input Hp	*	26QS07R56	26QS07R14	26QS07R18	R
		Output Torque (lb.in.)	1079				
		Mechanical Output Hp	3.99	26QS07H56	26QS07H14	26QS07H18	HOLLOW
		Output OHL (lbs.)	1100				
10	175	Mechanical Input Hp	3.59	26QS10L56	26QS10L14	26QS10L18	L
		Thermal Input Hp	*	26QS10R56	26QS10R14	26QS10R18	R
		Output Torque (lb.in.)	1177				
		Mechanical Output Hp	3.27	26QS10H56	26QS10H14	26QS10H18	HOLLOW
		Output OHL (lbs.)	1100				
15	117	Mechanical Input Hp	2.58	26QS15L56	26QS15L14	26QS15L18	L
		Thermal Input Hp	*	26QS15R56	26QS15R14	26QS15R18	R
		Output Torque (lb.in.)	1225				
		Mechanical Output Hp	2.27	26QS15H56	26QS15H14	26QS15H18	HOLLOW
		Output OHL (lbs.)	1100				
20	88	Mechanical Input Hp	2.15	26QS20L56	26QS20L14		L
		Thermal Input Hp	*	26QS20R56	26QS20R14		R
		Output Torque (lb.in.)	1308				
		Mechanical Output Hp	1.83	26QS20H56	26QS20H14		HOLLOW
		Output OHL (lbs.)	1100				
25	70	Mechanical Input Hp	1.73	26QS25L56	26QS25L14		L
		Thermal Input Hp	*	26QS25R56	26QS25R14		R
		Output Torque (lb.in.)	1307				
		Mechanical Output Hp	1.45	26QS25H56	26QS25H14		HOLLOW
		Output OHL (lbs.)	1100				
30	58	Mechanical Input Hp	1.54	26QS30L56	26QS30L14		L
		Thermal Input Hp	*	26QS30R56	26QS30R14		R
		Output Torque (lb.in.)	1313				
		Mechanical Output Hp	1.21	26QS30H56	26QS30H14		HOLLOW
		Output OHL (lbs.)	1100				
40	44	Mechanical Input Hp	1.23	26QS40L56	26QS40L14		L
		Thermal Input Hp	*	26QS40R56	26QS40R14		R
		Output Torque (lb.in.)	1296				
		Mechanical Output Hp	0.90	26QS40H56	26QS40H14		HOLLOW
		Output OHL (lbs.)	1100				
50	35	Mechanical Input Hp	1.00	26QS50L56	26QS50L14		L
		Thermal Input Hp	*	26QS50R56	26QS50R14		R
		Output Torque (lb.in.)	1242				
		Mechanical Output Hp	0.69	26QS50H56	26QS50H14		HOLLOW
		Output OHL (lbs.)	1100				
60	29	Mechanical Input Hp	0.82	26QS60L56	26QS60L14		L
		Thermal Input Hp	*	26QS60R56	26QS60R14		R
		Output Torque (lb.in.)	1166				
		Mechanical Output Hp	0.54	26QS60H56	26QS60H14		HOLLOW
		Output OHL (lbs.)	1100				

* Reducers will operate continuously up to the mechanical rating without exceeding the thermal limit (at 70°F)

Note: 3-Piece Coupled Input Style not available for size 26 DODGE ULTRA KLEEN Reducer

Reducers are shipped without a mounting base.

Washdown accessories available in Modifications / Accessories section.

Refer to page G4-119 for hollow bore bushing selections

Refer to page G4-104 and G4-105 for dimensions

FEATURES/BENEFITS PAGE G4-2	SPECIFICATION PAGE G4-8	NOMENCLATURE PAGE G4-9	RATINGS/DIMENSIONS PAGE G4-16
--------------------------------	----------------------------	---------------------------	----------------------------------



WASHDOWN PRODUCTS

TIGEAR-2 ULTRA KLEEN Reducers With Quill Input - Size 30

Ratio	Output RPM	Rating Data 1750 Input RPM		Part Number			Shaft Position
				56C	140TC	180TC	
5	350	Mechanical Input Hp	10.84		30QS05L14	30QS05L18	L
		Thermal Input Hp	12.53		30QS05R14	30QS05R18	R
		Output Torque (lb.in.)	1849		30QS05LR14	30QS05LR18	LR
		Mechanical Output Hp	10.27		30QS05H14	30QS05H18	HOLLOW
		Output OHL (lbs.)	1330				
7.5	233	Mechanical Input Hp	8.74		30QS07L14	30QS07L18	L
		Thermal Input Hp	9.64		30QS07R14	30QS07R18	R
		Output Torque (lb.in.)	2171		30QS07LR14	30QS07LR18	LR
		Mechanical Output Hp	8.15		30QS07H14	30QS07H18	HOLLOW
		Output OHL (lbs.)	1540				
10	175	Mechanical Input Hp	7.11		30QS10L14	30QS10L18	L
		Thermal Input Hp	7.85		30QS10R14	30QS10R18	R
		Output Torque (lb.in.)	2347		30QS10LR14	30QS10LR18	LR
		Mechanical Output Hp	6.52		30QS10H14	30QS10H18	HOLLOW
		Output OHL (lbs.)	1720				
15	117	Mechanical Input Hp	5.00		30QS15L14	30QS15L18	L
		Thermal Input Hp	5.72		30QS15R14	30QS15R18	R
		Output Torque (lb.in.)	2371		30QS15LR14	30QS15LR18	LR
		Mechanical Output Hp	4.39		30QS15H14	30QS15H18	HOLLOW
		Output OHL (lbs.)	2300				
20	88	Mechanical Input Hp	3.81	30QS20L56	30QS20L14	30QS20L18	L
		Thermal Input Hp	4.52	30QS20R56	30QS20R14	30QS20R18	R
		Output Torque (lb.in.)	2345	30QS20LR56	30QS20LR14	30QS20LR18	LR
		Mechanical Output Hp	3.26	30QS20H56	30QS20H14	30QS20H18	HOLLOW
		Output OHL (lbs.)	2300				
25	70	Mechanical Input Hp	3.05	30QS25L56	30QS25L14	30QS25L18	L
		Thermal Input Hp	3.90	30QS25R56	30QS25R14	30QS25R18	R
		Output Torque (lb.in.)	2284	30QS25LR56	30QS25LR14	30QS25LR18	LR
		Mechanical Output Hp	2.54	30QS25H56	30QS25H14	30QS25H18	HOLLOW
		Output OHL (lbs.)	2300				
30	58	Mechanical Input Hp	2.75	30QS30L56	30QS30L14		L
		Thermal Input Hp	3.58	30QS30R56	30QS30R14		R
		Output Torque (lb.in.)	2417	30QS30LR56	30QS30LR14		LR
		Mechanical Output Hp	2.24	30QS30H56	30QS30H14		HOLLOW
		Output OHL (lbs.)	2300				
40	44	Mechanical Input Hp	2.09	30QS40L56	30QS40L14		L
		Thermal Input Hp	2.87	30QS40R56	30QS40R14		R
		Output Torque (lb.in.)	2324	30QS40LR56	30QS40LR14		LR
		Mechanical Output Hp	1.61	30QS40H56	30QS40H14		HOLLOW
		Output OHL (lbs.)	2300				
50	35	Mechanical Input Hp	1.75	30QS50L56	30QS50L14		L
		Thermal Input Hp	2.34	30QS50R56	30QS50R14		R
		Output Torque (lb.in.)	2257	30QS50LR56	30QS50LR14		LR
		Mechanical Output Hp	1.25	30QS50H56	30QS50H14		HOLLOW
		Output OHL (lbs.)	2300				
60	29	Mechanical Input Hp	1.50	30QS60L56	30QS60L14		L
		Thermal Input Hp	2.01	30QS60R56	30QS60R14		R
		Output Torque (lb.in.)	2138	30QS60LR56	30QS60LR14		LR
		Mechanical Output Hp	0.99	30QS60H56	30QS60H14		HOLLOW
		Output OHL (lbs.)	2300				

Note: Reducers are shipped without a mounting base.
Washdown accessories available in Modifications / Accessories section.

Refer to page G4-119 for hollow bore bushing selections

Refer to page G4-104 and G4-105 for dimensions

FEATURES/BENEFITS PAGE G4-2	SPECIFICATION PAGE G4-8	NOMENCLATURE PAGE G4-9	RATINGS/DIMENSIONS PAGE G4-16
--------------------------------	----------------------------	---------------------------	----------------------------------



WASHDOWN PRODUCTS

TIGEAR-2 ULTRA KLEEN Reducers With 3-Piece Coupled Input - Size 30

3-Piece Coupled units include a Separate reducer, 3-piece coupling and motor adapter housing assembled together.

Ratio	Output RPM	Rating Data		Part Number			Shaft
		1750 Input RPM		56C	140TC	180TC	Position
5	350	Mechanical Input Hp	10.84		30AS05L14	30AS05L18	L
		Thermal Input Hp	12.53		30AS05R14	30AS05R18	R
		Output Torque (lb.in.)	1849		30AS05LR14	30AS05LR18	LR
		Mechanical Output Hp	10.27		30AS05H14	30AS05H18	HOLLOW
		Output OHL (lbs.)	1330				
7.5	233	Mechanical Input Hp	8.74		30AS07L14	30AS07L18	L
		Thermal Input Hp	9.64		30AS07R14	30AS07R18	R
		Output Torque (lb.in.)	2171		30AS07LR14	30AS07LR18	LR
		Mechanical Output Hp	8.15		30AS07H14	30AS07H18	HOLLOW
		Output OHL (lbs.)	1540				
10	175	Mechanical Input Hp	7.11		30AS10L14	30AS10L18	L
		Thermal Input Hp	7.85		30AS10R14	30AS10R18	R
		Output Torque (lb.in.)	2347		30AS10LR14	30AS10LR18	LR
		Mechanical Output Hp	6.52		30AS10H14	30AS10H18	HOLLOW
		Output OHL (lbs.)	1720				
15	117	Mechanical Input Hp	5.00		30AS15L14	30AS15L18	L
		Thermal Input Hp	5.72		30AS15R14	30AS15R18	R
		Output Torque (lb.in.)	2371		30AS15LR14	30AS15LR18	LR
		Mechanical Output Hp	4.39		30AS15H14	30AS15H18	HOLLOW
		Output OHL (lbs.)	2300				
20	88	Mechanical Input Hp	3.81	30AS20L56	30AS20L14	30AS20L18	L
		Thermal Input Hp	4.52	30AS20R56	30AS20R14	30AS20R18	R
		Output Torque (lb.in.)	2345	30AS20LR56	30AS20LR14	30AS20LR18	LR
		Mechanical Output Hp	3.26	30AS20H56	30AS20H14	30AS20H18	HOLLOW
		Output OHL (lbs.)	2300				
25	70	Mechanical Input Hp	3.05	30AS25L56	30AS25L14	30AS25L18	L
		Thermal Input Hp	3.90	30AS25R56	30AS25R14	30AS25R18	R
		Output Torque (lb.in.)	2284	30AS25LR56	30AS25LR14	30AS25LR18	LR
		Mechanical Output Hp	2.54	30AS25H56	30AS25H14	30AS25H18	HOLLOW
		Output OHL (lbs.)	2300				
30	58	Mechanical Input Hp	2.75	30AS30L56	30AS30L14		L
		Thermal Input Hp	3.58	30AS30R56	30AS30R14		R
		Output Torque (lb.in.)	2417	30AS30LR56	30AS30LR14		LR
		Mechanical Output Hp	2.24	30AS30H56	30AS30H14		HOLLOW
		Output OHL (lbs.)	2300				
40	44	Mechanical Input Hp	2.09	30AS40L56	30AS40L14		L
		Thermal Input Hp	2.87	30AS40R56	30AS40R14		R
		Output Torque (lb.in.)	2324	30AS40LR56	30AS40LR14		LR
		Mechanical Output Hp	1.61	30AS40H56	30AS40H14		HOLLOW
		Output OHL (lbs.)	2300				
50	35	Mechanical Input Hp	1.75	30AS50L56	30AS50L14		L
		Thermal Input Hp	2.34	30AS50R56	30AS50R14		R
		Output Torque (lb.in.)	2257	30AS50LR56	30AS50LR14		LR
		Mechanical Output Hp	1.25	30AS50H56	30AS50H14		HOLLOW
		Output OHL (lbs.)	2300				
60	29	Mechanical Input Hp	1.50	30AS60L56	30AS60L14		L
		Thermal Input Hp	2.01	30AS60R56	30AS60R14		R
		Output Torque (lb.in.)	2138	30AS60LR56	30AS60LR14		LR
		Mechanical Output Hp	0.99	30AS60H56	30AS60H14		HOLLOW
		Output OHL (lbs.)	2300				

Note: Reducers are shipped without a mounting base.
Washdown accessories available in Modifications / Accessories section.

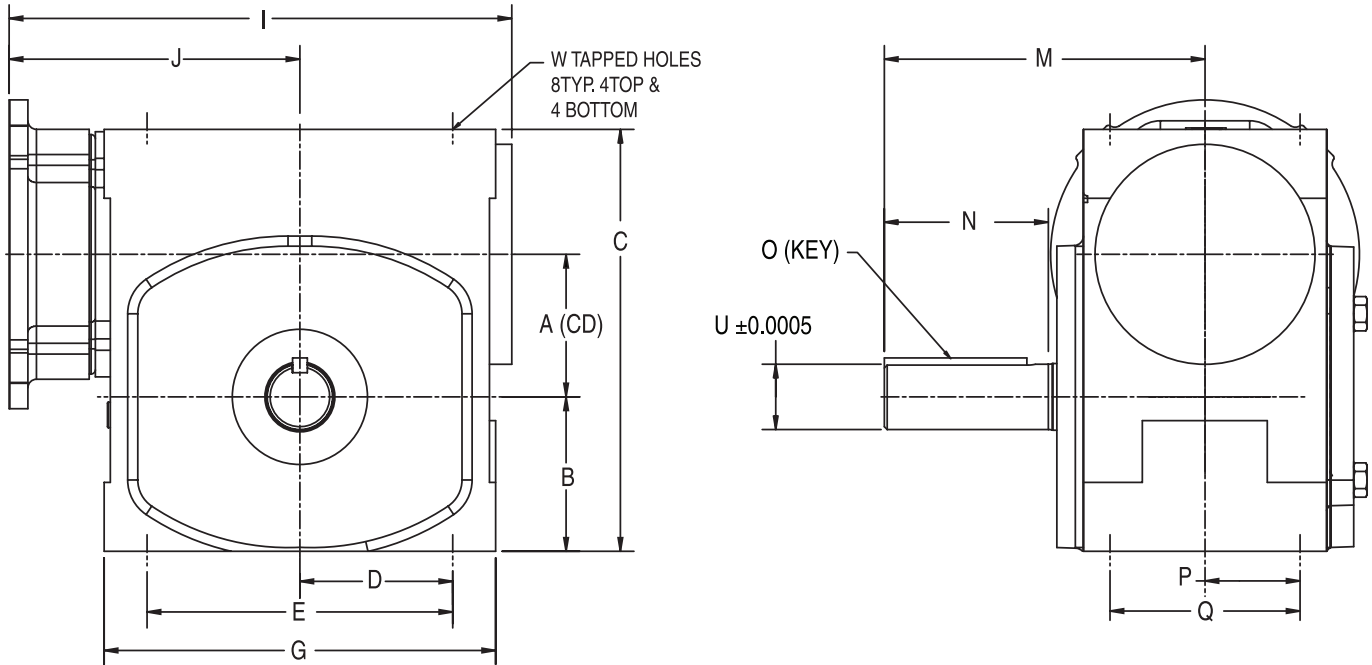
Refer to page G4-119 for hollow bore bushing selections

Refer to page G4-106 and G4-107 for dimensions

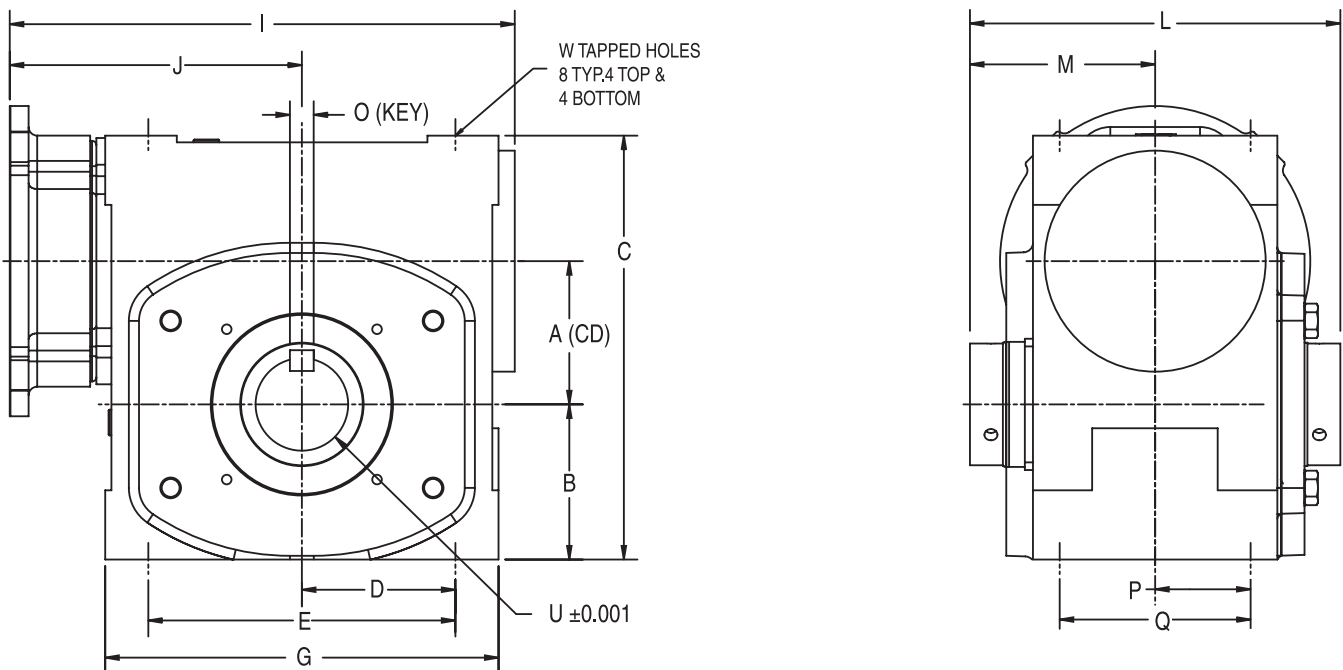
FEATURES/BENEFITS PAGE G4-2	SPECIFICATION PAGE G4-8	NOMENCLATURE PAGE G4-9	RATINGS/DIMENSIONS PAGE G4-16
--------------------------------	----------------------------	---------------------------	----------------------------------

Quill Input Dimensions

QUILL INPUT WITH SOLID OUTPUT



QUILL INPUT WITH HOLLOW OUTPUT



ULTRA KLEEN DIMENSIONS WASHDOWN PRODUCTS



Quill Input Dimensions

Quill Input With Solid Output

Size	A	B	C	D	E	G	I		J	
							56C/140TC	180TC	56C/140TC	180TC
17	1.75	1.99	5.85	2.09	4.19	5.41	8.00	N/A	4.90	N/A
21	2.06	2.28	6.38	2.50	5.00	6.06	N/A	N/A	5.07	-
23	2.31	2.50	7.38	2.50	5.00	6.67	9.14	10.17	5.46	6.49
26	2.62	2.94	8.00	3.19	6.38	7.38	N/A	N/A	5.75	6.19
30	3.00	3.25	8.88	3.50	7.00	8.15	10.59	11.62	6.11	7.14

Size	M	N	O	P	Q	U*	W	
						+/-0.0005	Tap Size	Depth
17	4.31	1.74	3/16 SQ. x 1.50 KEY	1.38	2.75	0.874	5/16-18	0.75
21	4.69	2.38	1/4 SQ. x 1.25 KEY	1.44	2.88	1.000	3/8-16	0.59
23	5.14	2.18	1/4 SQ. x 1.98 KEY	1.44	2.88	1.124	3/8-16	0.69
26	5.62	2.78	1/4 SQ. x 2.00 KEY	1.69	3.38	1.125	3/8-16	0.69
30	6.75	3.20	5/16 SQ. x 3.00 KEY	2.00	4.00	1.374	7/16-14	0.88

* Tolerance for "U" dimension: +/-0.0005 on sizes 17, 23, 30
+/-0.001 on sizes 21, 26

Quill Input With Hollow Output

Size	A	B	C	D	E	G	I		J	
							56C/140TC	180TC	56C/140TC	180TC
17	1.75	1.99	5.85	2.09	4.19	5.41	8.00	N/A	4.90	N/A
21	2.06	2.28	6.38	2.50	5.00	6.13	8.63	-	5.06	-
23	2.31	2.50	7.38	2.50	5.00	6.67	9.14	10.17	5.46	6.49
23 ALT.	2.31	2.50	7.38	2.50	5.00	6.67	9.14	10.17	5.46	6.45
26	2.62	2.94	8.00	3.19	6.38	7.45	9.90	10.34	5.75	6.19
30	3.00	3.25	8.88	3.50	7.00	8.15	10.59	11.62	6.11	7.14

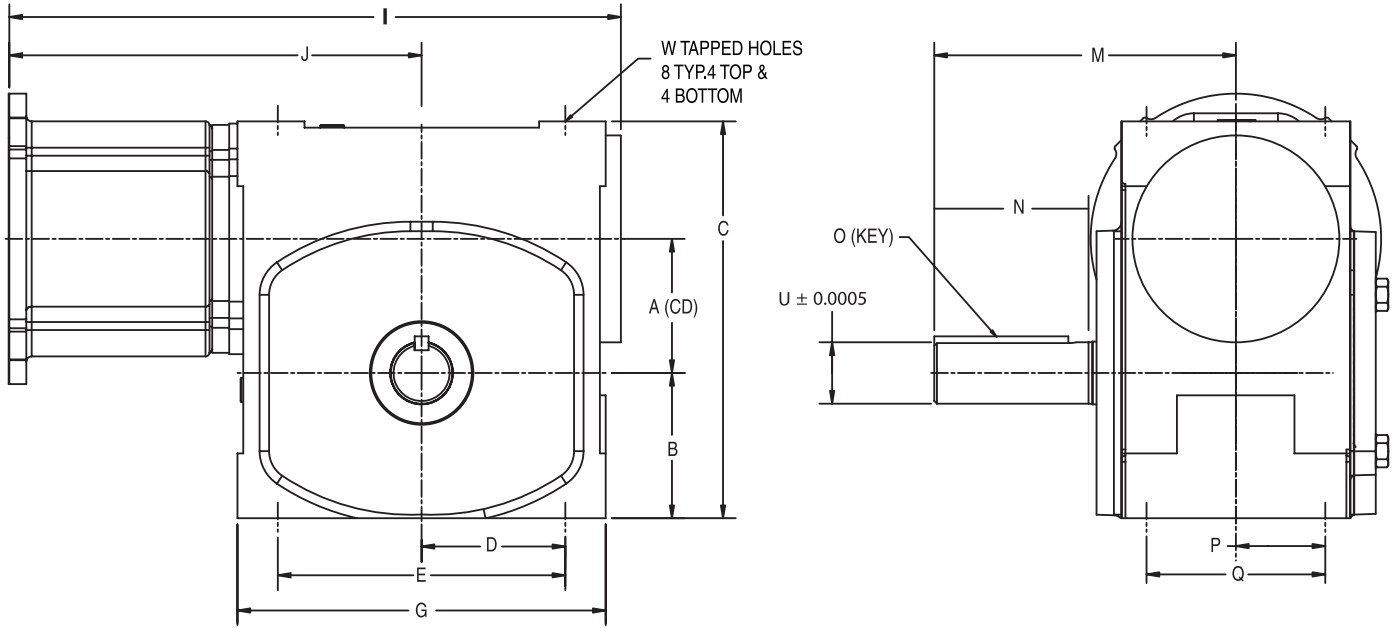
Size	L	M	O	P	Q	U	W	
						+/-0.001	Tap Size	Depth
17	5.41	2.71	1/4 x 0.22 x 1.50 KEY	1.38	2.75	1.001	5/16-18	0.75
21	6.44	3.22	1/4 SQ. X 1.625 KEY	1.44	2.88	1.438	3/8-16	0.69
23	6.62	3.31	3/8 x 0.31 x 2.20 KEY	1.44	2.88	1.439	3/8-16	0.69
23 ALT.	6.62	3.31	3/8 x 0.28 x 2.20 KEY	1.44	2.88	1.501	3/8-16	0.69
26	6.88	3.44	3/8 SQ. X 1.500 KEY	1.69	3.38	1.438	3/8-16	0.69
30	7.76	3.88	1/2 x 0.44 x 3.00 KEY	2.00	4.00	1.939	7/16-14	0.88

FEATURES/BENEFITS PAGE G3-2	SPECIFICATION PAGE G3-8	NOMENCLATURE PAGE G3-9	RATINGS/DIMENSIONS PAGE G3-16
--------------------------------	----------------------------	---------------------------	----------------------------------

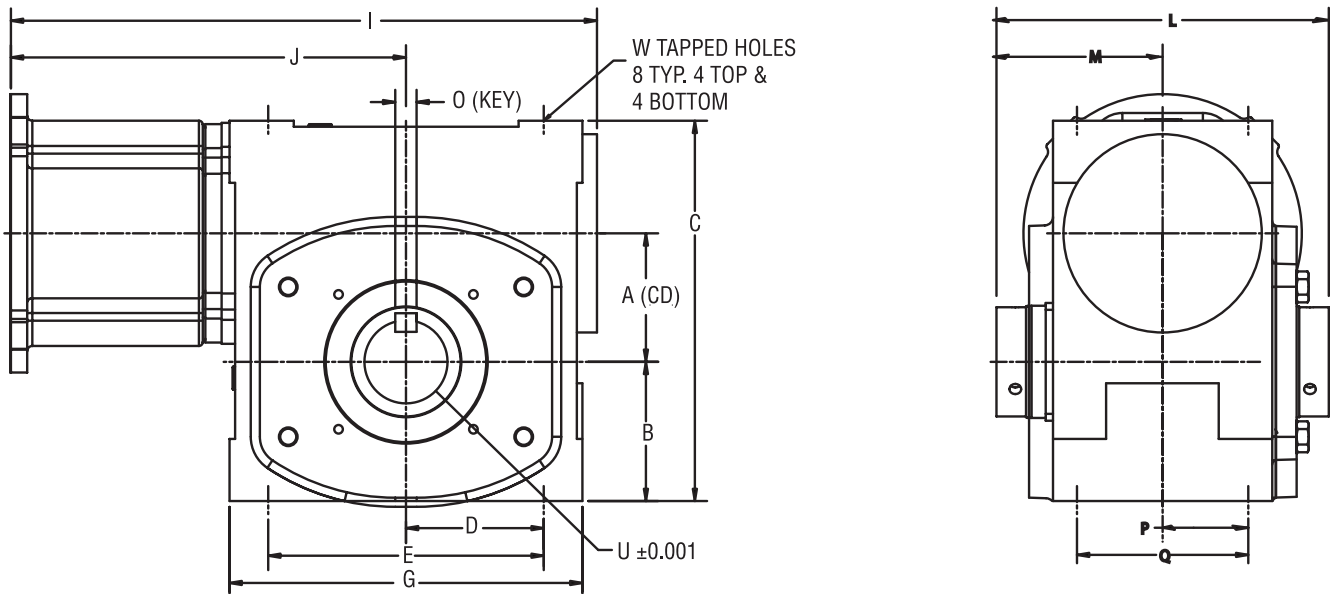
WASHDOWN PRODUCTS

3-Piece Coupled Input Dimensions

3-Piece Coupled Input With Solid Output



3-Piece Coupled Input With Hollow Output





WASHDOWN PRODUCTS

3-Piece Coupled Input Dimensions

3-Piece Coupled Input With Solid Output

Size	A	B	C	D	E	G	I		J	
							56C/140TC	180TC	56C/140TC	180TC
17	1.75	1.99	5.85	2.09	4.19	5.41	10.83	N/A	7.73	N/A
23	2.31	2.50	7.38	2.50	5.00	6.67	12.26	13.21	8.58	9.53
30	3.00	3.25	8.88	3.50	7.00	8.15	13.71	14.66	9.23	10.18

Size	M	N	O	P	Q	U	W
						+/- 0.0005	
17	4.31	1.74	3/16 SQ. x 1.50 KEY	1.38	2.75	0.874	5/16-18 TAP 0.75 DEEP
23	5.14	2.18	1/4 SQ. x 1.98 KEY	1.44	2.88	1.124	3/8-16 TAP 0.69 DEEP
30	6.75	3.20	5/16 SQ. x 3.00 KEY	2.00	4.00	1.374	7/16-14 TAP 0.88 DEEP

3-Piece Coupled Input With Hollow Output

Size	A	B	C	D	E	G	I		J	
							56C/140TC	180TC	56C/140TC	180TC
17	1.75	1.99	5.85	2.09	4.19	5.41	10.83	N/A	7.73	N/A
23	2.31	2.50	7.38	2.50	5.00	6.67	12.26	13.21	8.58	9.53
23 ALT.	2.31	2.50	7.38	2.50	5.00	6.67	12.26	13.21	8.58	9.53
30	3.00	3.25	8.88	3.50	7.00	8.15	13.71	14.66	9.23	10.18

Size	L	M	O	P	Q	U	W
						+/-0.001	
17	5.41	2.71	1/4 x 0.22 x 1.50 KEY	1.38	2.75	1.001	5/16-18 TAP 0.75 DEEP
23	6.62	3.31	3/8 x 0.31 x 2.20 KEY	1.44	2.88	1.439	3/8-16 TAP 0.69 DEEP
23 ALT.	6.62	3.31	3/8 x 0.28 x 2.20 KEY	1.44	2.88	1.501	7/16-14 TAP 0.88 DEEP
30	7.76	3.88	1/2 x 0.44 x 3.00 KEY	2.00	4.00	1.939	7/16-14 TAP 0.88 DEEP

FEATURES/BENEFITS PAGE G4-2	SPECIFICATION PAGE G4-8	NOMENCLATURE PAGE G4-9	RATINGS/DIMENSIONS PAGE G4-16
--------------------------------	----------------------------	---------------------------	----------------------------------



HELICAL ATTACHMENT

TIGEAR-2 Helical Attachment

Quick Selections: Helical Attachment And TIGEAR-2 Assemblies

Overall Ratio	Output RPM	Motor HP	O/P Torque	SF	HA Part Number	Tigear-2 Part Number Output Shaft Configuration			
						Solid Shaft Left	Solid Shaft Right	Solid Shaft Left/Right	Hollow Shaft
75	23.33	0.25	546	1.17	156HA556	17Q15L56	17Q15R56	17Q15LR56	17Q15H56
		0.33	729	1.30	156HA556	20Q15L56	20Q15R56	20Q15LR56	20Q15H56
		0.5	1105	1.33	156HA556	23Q15L56	23Q15R56	23Q15LR56	23Q15H56
		0.75	1676	1.31	256HA514	26Q15L14	26Q15R14	26Q15LR14	26Q15H14
		1	2235	1.43	256HA514	30Q15L14	30Q15R14	30Q15LR14	30Q15H14
		1.5	3353	1.55	214HA514	35Q15L14	35Q15R14	35Q15LR14	35Q15H14
80	21.88	0.25	556	1.19	156HA456	17Q20L56	17Q20R56	17Q20LR56	17Q20H56
		0.33	742	1.32	156HA456	20Q20L56	20Q20R56	20Q20LR56	20Q20H56
		0.5	1139	1.34	156HA456	23Q20L56	23Q20R56	23Q20LR56	23Q20H56
		0.75	1728	1.32	256HA414	26Q20L14	26Q20R14	26Q20LR14	26Q20H14
		1	2305	1.55	256HA414	30Q20L14	30Q20R14	30Q20LR14	30Q20H14
		1.5	3457	1.55	214HA414	35Q20L14	35Q20R14	35Q20LR14	35Q20H14
100	17.5	0.25	736	1.29	156HA556	20Q20L56	20Q20R56	20Q20LR56	20Q20H56
		0.33	928	1.06	156HA556	20Q20L56	20Q20R56	20Q20LR56	20Q20H56
		0.5	1423	1.07	156HA556	23Q20L56	23Q20R56	23Q20LR56	23Q20H56
		0.75	2161	1.05	256HA514	26Q20L14	26Q20R14	26Q20LR14	26Q20H14
		1	2881	1.24	256HA514	30Q20L14	30Q20R14	30Q20LR14	30Q20H14
		1.5	4321	1.24	214HA514	35Q20L14	35Q20R14	35Q20LR14	35Q20H14
120	14.58	0.25	782	1.24	156HA456	20Q30L56	20Q30R56	20Q30LR56	20Q30H56
		0.33	1046	1.44	156HA456	23Q30L56	23Q30R56	23Q30LR56	23Q30H56
		0.5	1605	1.41	156HA456	26Q30L56	26Q30R56	26Q30LR56	26Q30H56
		0.75	2408	1.33	256HA414	30Q30L14	30Q30R14	30Q30LR14	30Q30H14
		1	3211	1.66	256HA414	35Q30L14	35Q30R14	35Q30LR14	35Q30H14
		1.5	4816	1.11	214HA414	35Q30L14	35Q30R14	35Q30LR14	35Q30H14
125	14	0.25	836	1.19	156HA556	20Q25L56	20Q25R56	20Q25LR56	20Q25H56
		0.33	1104	1.40	156HA556	23Q25L56	23Q25R56	23Q25LR56	23Q25H56
		0.5	1715	1.35	156HA556	26Q25L56	26Q25R56	26Q25LR56	26Q25H56
		0.75	2572	1.28	256HA514	30Q25L14	30Q25R14	30Q25LR14	30Q25H14
		1	3430	1.57	256HA514	35Q25L14	35Q25R14	35Q25LR14	35Q25H14
		1.5	5145	1.46	214HA514	40Q25L14	40Q25R14	40Q25LR14	40Q25H14
150	11.67	0.25	990	1.52	156HA556	23Q30L56	23Q30R56	23Q30LR56	23Q30H56
		0.33	1307	1.15	156HA556	23Q30L56	23Q30R56	23Q30LR56	23Q30H56
		0.5	2007	1.13	156HA556	26Q30L56	26Q30R56	26Q30LR56	26Q30H56
		0.75	3010	1.06	256HA514	30Q30L14	30Q30R14	30Q30LR14	30Q30H14
		1	4013	1.33	256HA514	35Q30L14	35Q30R14	35Q30LR14	35Q30H14
		1.5	6020	1.25	214HA514	40Q30L14	40Q30R14	40Q30LR14	40Q30H14
160	10.94	0.25	976	1.55	156HA456	23Q40L56	23Q40R56	23Q40LR56	23Q40H56
		0.33	1288	1.17	156HA456	23Q40L56	23Q40R56	23Q40LR56	23Q40H56
		0.5	2006	1.13	156HA456	26Q40L56	26Q40R56	26Q40LR56	26Q40H56
		0.75	3009	1.18	256HA414	30Q40L14	30Q40R14	30Q40LR14	30Q40H14
		1	4013	1.33	256HA414	35Q40L14	35Q40R14	35Q40LR14	35Q40H14
		1.5	6019	1.25	214HA414	40Q40L14	40Q40R14	40Q40LR14	40Q40H14



HELICAL ATTACHMENT

TIGEAR-2 Helical Attachment

Quick Selections: Helical Attachment And TIGEAR-2 Assemblies (Continued)

Overall Ratio	Output RPM	Motor HP	O/P Torque	SF	HA Part Number	Tigear-2 Part Number Output Shaft Configuration			
						Solid Shaft Left	Solid Shaft Right	Solid Shaft Left/Right	Hollow Shaft
200	8.75	0.25	1220	1.24	156HA556	23Q40L56	23Q40R56	23Q40LR56	23Q40H56
		0.33	1655	1.37	156HA556	26Q40L56	26Q40R56	26Q40LR56	26Q40H56
		0.5	2508	1.41	156HA556	30Q40L56	30Q40R56	30Q40LR56	30Q40H56
		0.75	3762	1.42	256HA514	35Q40L14	35Q40R14	35Q40LR14	35Q40H14
		1	5016	1.06	256HA514	35Q40L14	35Q40R14	35Q40LR14	35Q40H14
240	7.29	0.25	1260	1.11	156HA456	23Q60L56	23Q60R56	23Q60LR56	23Q60H56
		0.33	1718	1.21	156HA456	26Q60L56	26Q60R56	26Q60LR56	26Q60H56
		0.5	2603	1.09	156HA456	30Q60L56	30Q60R56	30Q60LR56	30Q60H56
		0.75	3904	1.22	256HA414	35Q60L14	35Q60R14	35Q60LR14	35Q60H14
		1	5206	1.28	256HA414	40Q60L14	40Q60R14	40Q60LR14	40Q60H14
250	7	0.25	1439	1.53	156HA556	26Q50L56	26Q50R56	26Q50LR56	26Q50H56
		0.33	1900	1.16	156HA556	26Q50L56	26Q50R56	26Q50LR56	26Q50H56
		0.5	2878	1.14	156HA556	30Q50L56	30Q50R56	30Q50LR56	30Q50H56
		0.75	4317	1.19	256HA514	35Q50L14	35Q50R14	35Q50LR14	35Q50H14
		1	5756	1.25	256HA514	40Q50L14	40Q50R14	40Q50LR14	40Q50H14
300	5.83	0.25	1627	1.28	156HA556	26Q60L56	26Q60R56	26Q60LR56	26Q60H56
		0.33	2147	1.32	156HA556	30Q60L56	30Q60R56	30Q60LR56	30Q60H56
		0.5	3254	1.46	156HA556	35Q60L56	35Q60R56	35Q60LR56	35Q60H56
		0.75	4881	1.36	256HA514	40Q60L14	40Q60R14	40Q60LR14	40Q60H14

FEATURES/BENEFITS PAGE G4-2	SPECIFICATION PAGE G4-8	NOMENCLATURE PAGE G4-9	RATINGS/DIMENSIONS PAGE G4-16
--------------------------------	----------------------------	---------------------------	----------------------------------

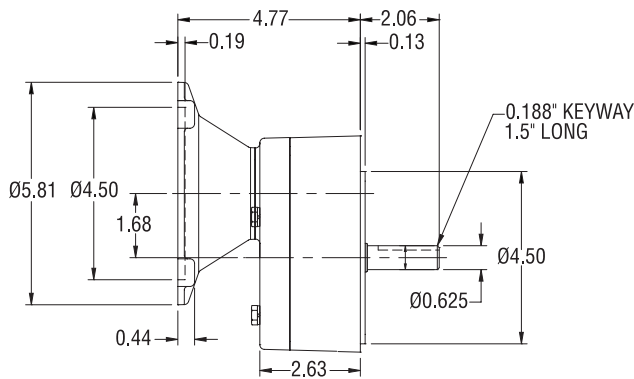
HELICAL ATTACHMENT

TIGEAR-2 Helical Attachment Size 1 & 2 Helical Single Reduction

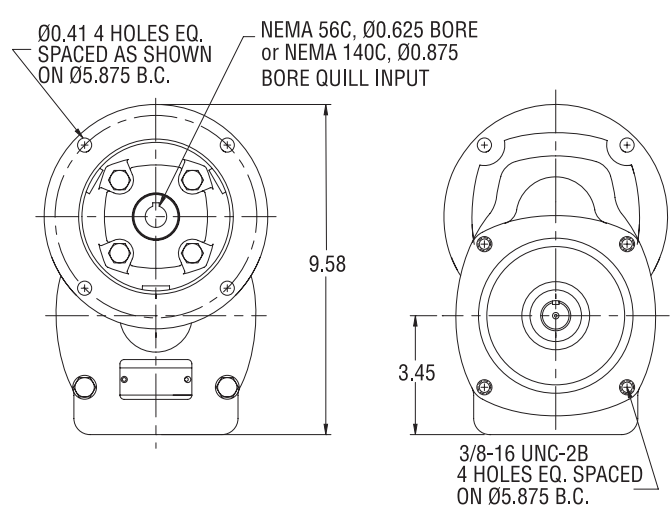
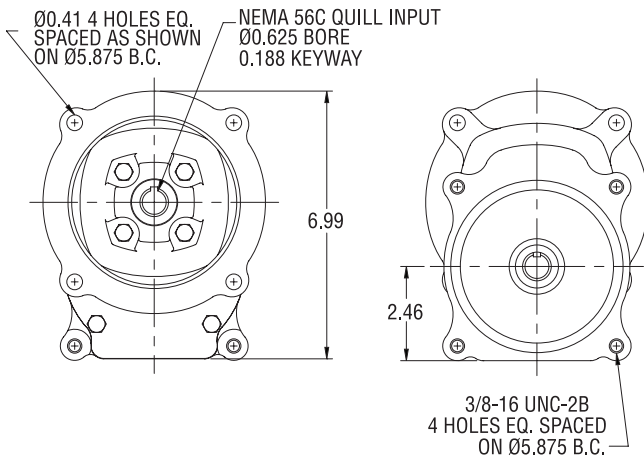
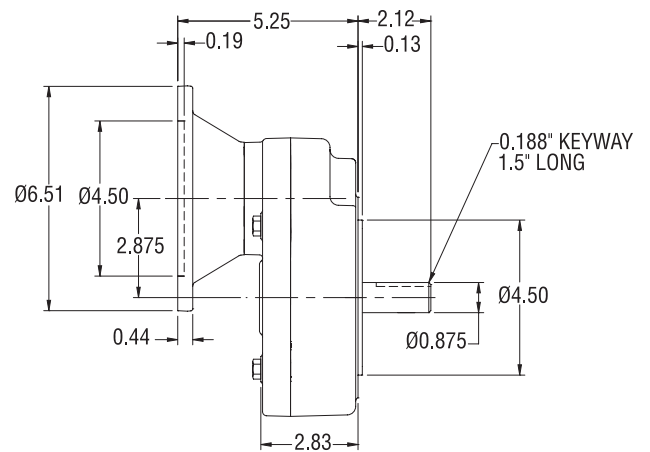
Size	Ratio	Part Number	Input RPM	Output RPM	Input HP	Output HP	Output Torque (lb. in.)	Output OHL (lbs.)	Input Style	Output Style
1	4	156HA456	1750	438	0.5	0.49	71	224	56C	56C
1	5	156HA556	1750	350	0.5	0.49	88	247	56C	56C
2	4	256HA414	1750	438	1.5	1.47	212	445	56C	140C
2	5	256HA514	1750	350	1.5	1.47	265	360	56C	140C
2	4	214HA414	1750	438	1.5	1.47	212	445	140C	140C
2	5	214HA514	1750	350	1.5	1.47	265	360	140C	140C

Note: For Helical attachment, DODGE recommends the use of TEFC motors. These units are intended for horizontal mount only in the position shown below. Contact DODGE for any other mounting position.

SIZE 1



SIZE 2



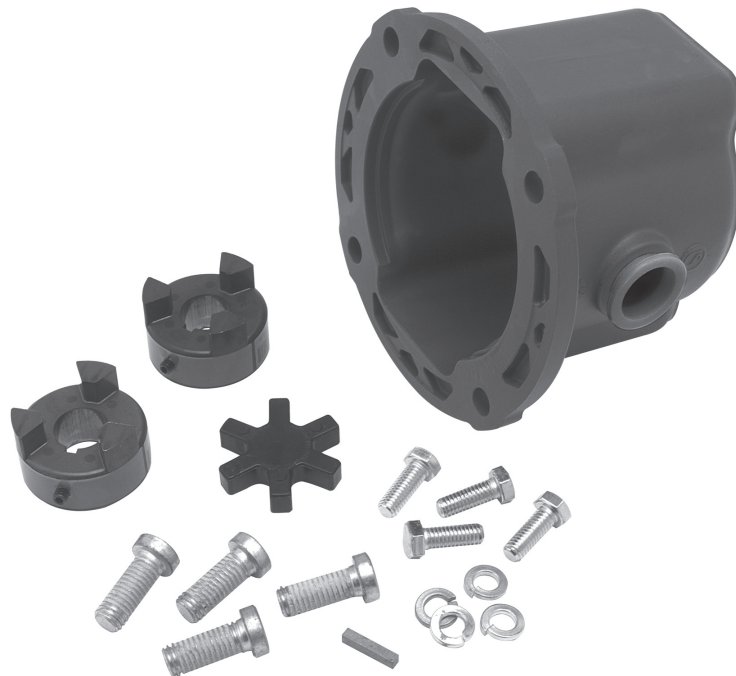
ACCESSORIES

TIGEAR-2 Motor Adapter Kit

TIGEAR-2 motor adapter kits are available to convert a separate shaft input reducer to a 3-piece coupled input reducer. Kits listed at right include the motor adapter housing, 3-piece coupling and all required mounting hardware.

TIGEAR-2 motor adapter kits cannot be used with the old Adaptable or Separate series TIGEAR reducers.

Reducer Size	Motor Frame				
	56C	140TC	180TC	210TC	250TC
13	1315MTR56	1315MTR14	N/A	N/A	N/A
15	1315MTR56	1315MTR14	N/A	N/A	N/A
17	1720MTR56	1720MTR14	N/A	N/A	N/A
20	1720MTR56	1720MTR14	N/A	N/A	N/A
23	2330MTR56	2330MTR14	2330MTR18	N/A	N/A
26	2330MTR56	2330MTR14	2330MTR18	N/A	N/A
30	2330MTR56	2330MTR14	2330MTR18	N/A	N/A
35	35MTR56	35MTR14	35MTR18	35MTR21	N/A
40	N/A	4047MTR14	4047MTR18	4047MTR21	4047MTR25
47	N/A	4047MTR14	4047MTR18	4047MTR21	4047MTR25



FEATURES/BENEFITS PAGE G4-2	SPECIFICATION PAGE G4-8	NOMENCLATURE PAGE G4-9	RATINGS/DIMENSIONS PAGE G4-16
--------------------------------	----------------------------	---------------------------	----------------------------------

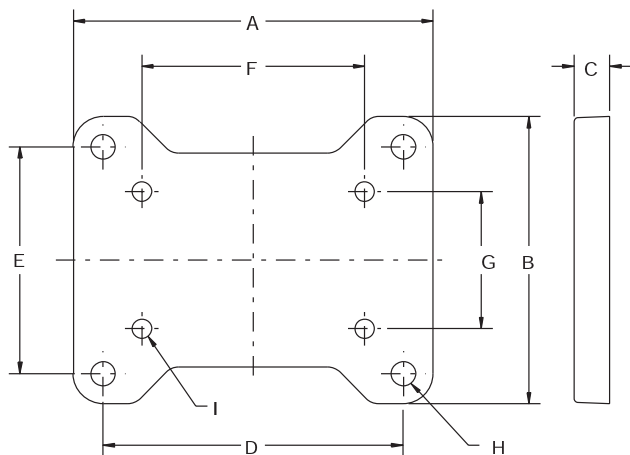
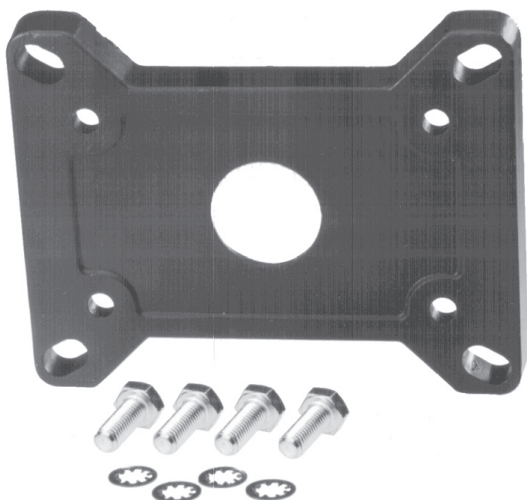
ACCESSORIES

TIGEAR-2 Bolt-On Base Kit

All TIGEAR-2 reducers include top and bottom drilled and tapped mounting holes but do not include base. Each kit below includes the base and required mounting hardware.

Reducer Size	Standard Kit Number	Standard Spacer Kit Number (1)	E-Z KLEEN Kit Number	Stainless Steel ULTRA KLEEN Kit
13	13BASE	Not Required	13ZBASE	N/A
15	15BASE	Not Required	15ZBASE	N/A
17	17BASE	Not Required	17ZBASE	17SBASE
20	20BASE	Not Required	20ZBASE	N/A
21	N/A	N/A	N/A	21SBASE
23 (1)	23BASE	2326SPACER	23ZBASE	23SBASE
26 (1)	26BASE	2326SPACER	26ZBASE	26SBASE
30 (1)	30BASE	3035SPACER	30ZBASE	30SBASE
35 (1)	35BASE	3035SPACER	35ZBASE	35SBASE
40 (1)	40BASE	40SPACER	N/A	N/A
47	47BASE	Not Required	N/A	N/A

NOTE: (1) If base is to be mounted on top of reducer, space kit listed above will also be required to allow clearance of base and motor adapter housing. Currently not available with E-Z KLEEN coating or stainless steel material.



Size	A	B	C	D	E	F	G	H	I
13	5.25	4.19	0.52	4.38	3.31	3.25	2.00	0.34	0.28
15	6.13	5.19	0.61	5.25	4.31	3.50	2.25	0.44	0.28
17	6.94	5.56	0.74 (3)	5.88 (3)	4.50	4.19	2.75	0.41	0.34
20	7.26	5.66	0.74 (3)	6.20 (3)	4.60	5.00	2.88	0.50	0.41
21	7.70	6.00	0.70	6.38	4.69	5.00	2.88	0.47	0.41
23	8.32	6.14	0.75	7.06	4.88	5.00	2.88	0.47	0.41
26	9.25	6.50	0.79/0.72 (2)	8.00	5.25	6.38	3.38	0.56	0.41
30	9.68	7.12	0.75	8.44	5.88	7.00	4.00	0.53	0.49
35	10.75	7.38	1.00	9.50	6.13	7.50	4.00	0.58	0.47
40	12.62	9.13	1.00	11.12	7.63	8.50	5.00	0.66	0.66
47	16.00	10.26	1.13	14.12	8.38	11.00	5.81	0.78	0.66

NOTE: (2) C dimension for 26BASE and 26ZBASE is 0.79. C dimension for 26SBASE is 0.72

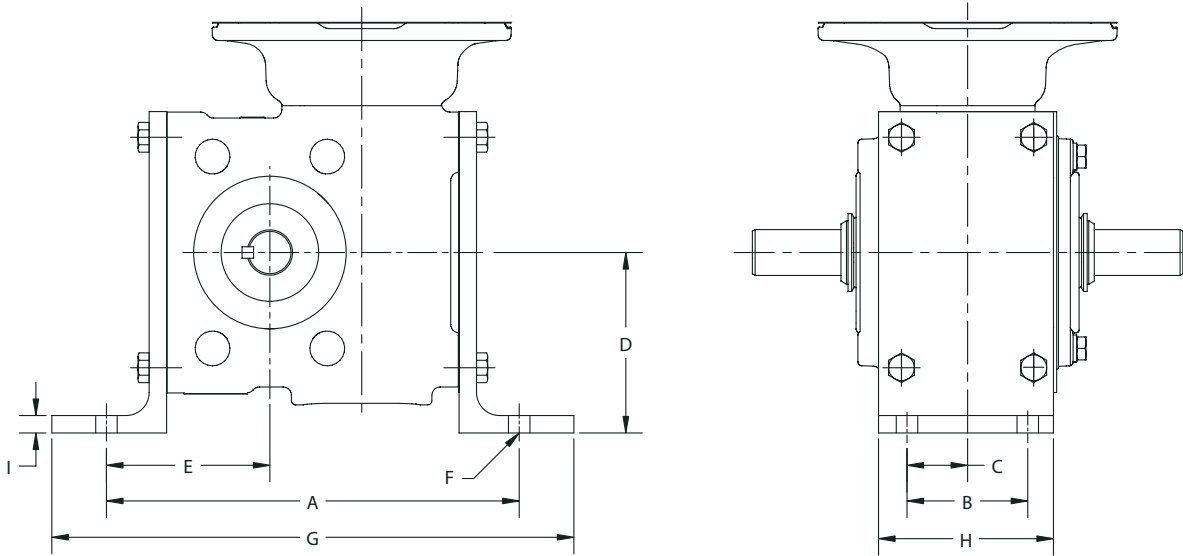
NOTE: (3) Sizes 17 and 20 have slotted mounting holes. Size 17 slotted horizontally +/-0.06. Size 20 slotted 30 degree from horizontal +/-0.12 (see photo above left).

FEATURES/BENEFITS PAGE G4-2	SPECIFICATION PAGE G4-8	NOMENCLATURE PAGE G4-9	RATINGS/DIMENSIONS PAGE G4-16
--------------------------------	----------------------------	---------------------------	----------------------------------

ACCESSORIES

TIGEAR-2 J-Mount Base Kits

J-mount kits allow the reducer to be “floor” mounted with the motor in a vertical (up) position. In this configuration the output shaft(s) is horizontal. Each kit includes the brackets and required mounting hardware.



Reducer Size	Standard Kit Number	E-Z KLEEN Kit Number	A	B	C	D	E	F	G	H	I
13	13JMOUNT	13ZJMOUNT	6.88	2.00	1.00	2.95	2.71	0.34	7.76	2.88	0.25
15	15JMOUNT	15ZJMOUNT	7.98	2.50	1.25	3.50	3.12	0.41	9.48	3.38	0.31
17	17JMOUNT	17ZJMOUNT	8.35	2.50	1.25	3.50	3.24	0.41	9.85	3.56	0.38
20	20JMOUNT	20ZJMOUNT	8.97	2.63	1.32	3.94	3.55	0.47	11.35	3.75	0.38
23	23JMOUNT	23ZJMOUNT	9.88	2.88	1.44	4.06	3.75	0.50	10.88	4.12	0.38
26	26JMOUNT	26ZJMOUNT	11.48	3.13	1.57	4.75	4.43	0.53	13.36	4.25	0.38
30	30JMOUNT	30ZJMOUNT	11.88	4.00	2.00	5.62	4.75	0.56	13.02	5.06	0.38
35	35JMOUNT	35ZJMOUNT	13.50	4.00	2.00	5.50	5.45	0.56	15.57	5.50	0.38
40	40JMOUNT	N/A	14.88	5.00	2.50	6.50	6.12	0.69	16.26	6.38	0.50
47	47JMOUNT	N/A	17.51	5.81	2.91	7.75	7.19	0.69	18.89	7.19	0.50

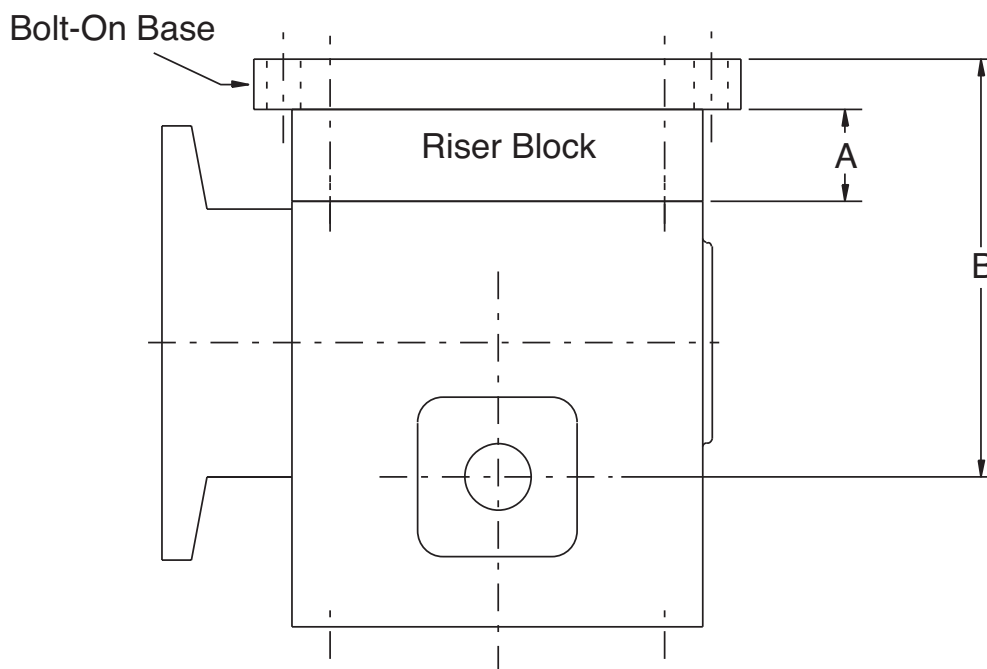
FEATURES/BENEFITS PAGE G4-2	SPECIFICATION PAGE G4-8	NOMENCLATURE PAGE G4-9	RATINGS/DIMENSIONS PAGE G4-16
--------------------------------	----------------------------	---------------------------	----------------------------------

ACCESSORIES

TIGEAR-2 Riser Block Kits

Riser blocks allow clearance over the motor eliminating the need to invert the reducer (worn under) when the application calls for a “ceiling” mount such as under a conveyor or other equipment. Riser blocks permit the reducer to be mounted in the most desirable position keeping the high speed shaft seal above the oil level. Experience shows that this position results in increased seal life and durability. Each kit includes the riser block and required mounting hardware.

Reducer Size	Standard Kit Number	E-Z KLEEN Kit Number	A	B
13	13RISER	13ZRISER	1.66	5.36
15	15RISER	15ZRISER	1.38	5.61
17	17RISER	17ZRISER	1.38	5.99
20	20RISER	20ZRISER	1.38	6.24
23	23RISER	23ZRISER	2.25	7.88
26	26RISER	26ZRISER	1.91	8.21
30	30RISER	30ZRISER	2.25	8.63
35	35RISER	35ZRISER	1.69	9.27
40	40RISER	N/A	2.75	10.83
47	47RISER	N/A	2.00	11.57



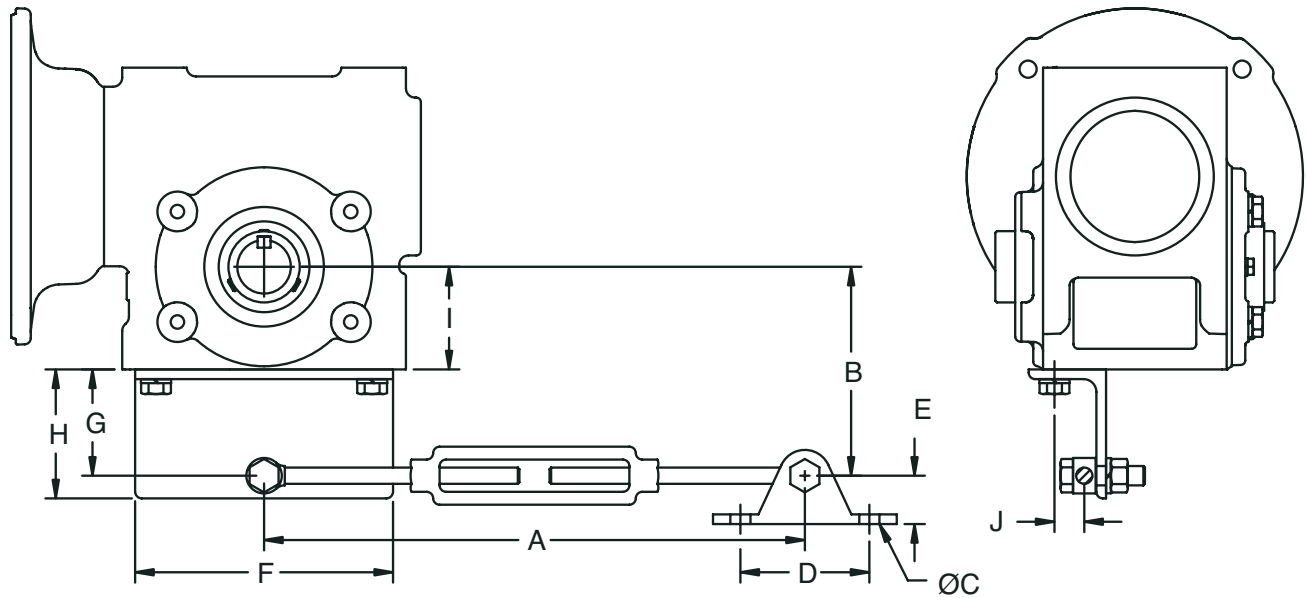
ACCESSORIES

TIGEAR-2 Tie Rod Kit

Tie Rod Kits are available for restraining Hollow Shaft Reducers. Each kit includes reducer mounting bracket, tie rods, turnbuckle, fulcrum and mounting hardware.

Reducer Case Size	Tie Rod Kit
13	13TIEROD
15	15TIEROD
17	17TIEROD
20	2023TIEROD
23	

Reducer Case Size	Tie Rod Kit
26	26TIEROD
30	30TIEROD
35	35TIEROD
40	40TIEROD
47	47TIEROD



Size	A Min - Max	B	C	D	E	F	G	H	I	J
13	12.00 - 18.00	2.52	0.41	1.75	0.75	4.00	0.81	1.25	1.71	0.37
15	12.00 - 18.00	2.68	0.41	1.75	0.75	4.20	0.81	1.25	1.87	0.49
17	12.00 - 18.00	4.05	0.41	1.75	0.75	5.00	2.06	2.50	1.99	0.59
20	14.7 - 20.7	3.55	0.39	2.50	0.94	5.88	1.31	1.75	2.24	0.53
23	14.7 - 20.7	3.81	0.39	2.50	0.94	5.88	1.31	1.75	2.50	0.53
26	14.7 - 20.7	4.18	0.39	2.50	0.94	7.24	1.31	1.75	2.87	0.75
30	14.7 - 20.7	5.75	0.39	2.50	0.94	8.00	2.50	3.00	3.25	0.72
35	14.7 - 20.7	6.49	0.39	2.50	0.94	8.50	2.50	3.00	3.99	0.84
40	19.5 - 25.5	7.69	0.45	3.00	1.06	9.88	3.25	4.00	4.44	1.09
47	19.5 - 25.5	9.56	0.45	3.00	1.06	12.38	4.25	5.00	5.31	1.03

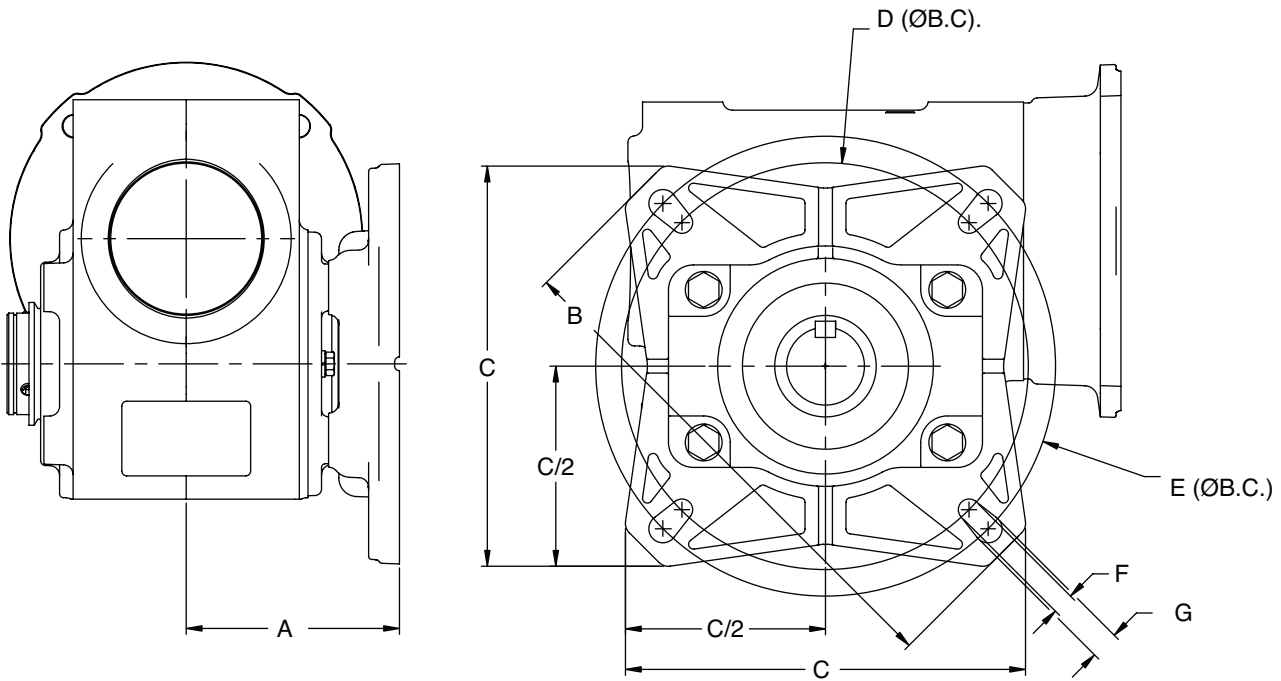
FEATURES/BENEFITS PAGE G4-2	SPECIFICATION PAGE G4-8	NOMENCLATURE PAGE G4-9	RATINGS/DIMENSIONS PAGE G4-16
--------------------------------	----------------------------	---------------------------	----------------------------------

ACCESSORIES

TIGEAR-2 Tapered Bushing Dimensions Cast Output Flange Kit

The Output Cast Flange Kit is used to mount Hollow Shaft reducers to a flat surface perpendicular to the output shaft. The flange may be substituted for a tie rod kit to restrain reactions. Each kit consists of a flange and required mounting hardware. The Output Flange Kit can be mounted to either side of a hollow output reducer. When used with GRIP TIGHT bushings, a single bushing with key must be used and located on the side opposite of the cast output flange.

NOTE: Stainless steel flanges only have holes drilled for large bolt circle.



Case Size	Standard Kit Number	E-Z KLEEN Kit Number	Stainless Steel ULTRA KLEEN Kit	A	B	C	D (ØB.C.)	E (ØB.C.)	F	G
13, 15	N/A	N/A	N/A	---	---	---	---	---	---	---
17	17FLANGE	17ZFLANGE	17SFLANGE	3.58	8.00	6.24	5.88	7.00	0.34	0.41
20	20FLANGE	20ZFLANGE	N/A	3.68	8.00	6.24	5.88	7.00	0.34	0.41
21	N/A	N/A	N/A	---	---	---	---	---	---	---
23	2326FLANGE	2326ZFLANGE	23SFLANGE	3.94	9.60	7.52	7.50	8.47	0.41	0.51
26	2326FLANGE	2326ZFLANGE	N/A	3.94/4.03*	9.60	7.52	7.580	8.47	0.41	0.51
30	3035FLANGE	3035ZFLANGE	30SFLANGE	5.81	11.60	9.00	9.00	10.43	0.56	0.56
35	3035FLANGE	3035ZFLANGE	N/A	5.81/5.71*	11.60	9.00	9.00	10.43	0.56	0.56
40, 47	N/A	N/A	N/A	---	---	---	---	---	---	---

ACCESSORIES

TIGEAR-2 Hollow Reducer Bushing Kit

Bushing kits allow hollow output reducers to be mounted to various diameter shafting. Each kit includes bushing and key.



GRIP TIGHT Tapered Adapter Bushing Kit



Straight Bore Bushing Kit

Reducer Size	Max Bore	Bore Size	Standard		Stainless Steel	
			GRIP TIGHT*	Straight Bore	GRIP TIGHT*	Straight Bore
13	3/4"	n/a	n/a	n/a	n/a	n/a
15	3/4"	n/a	n/a	n/a	n/a	n/a
17	1"	n/a	n/a	n/a	n/a	n/a
20	1-1/4"	1"	n/a	20BUSH100		20SBUSH100
Select standard bore reducer model number from pages G4-36 to G4-41 or washdown reducers from pages G4-80-G4-107.						
20 Alt.	1-3/16"	n/a	n/a			n/a
Select alternative max bore reducer model number from page G4-118 or washdown reducers from pages G4-80-G4-107.						
23	1-7/16"	1"	n/a	2326BUSH100		2326SBUSH100
		1-3/16"	n/a	2326BUSH103		2326SBUSH103
		1-1/4"	n/a	2326BUSH104		2326SBUSH104
Select standard bore reducer model number from pages 42 to 47 or washdown reducers from pages G4-80-G4-107.						
23 Alt.	1-1/2"	1"	23TBUSH100	n/a	23STBUSH100	n/a
		1-3/16"	23TBUSH103	n/a	23STBUSH103	n/a
Select alternative max bore reducer model number from page G4-118 or washdown reducers from pages G4-80-G4-107.						
26	1-7/16"	1"	n/a	2326BUSH100		2326SBUSH100
		1-3/16"	n/a	2326BUSH103		2326SBUSH103
		1-1/4"	n/a	2326BUSH104		2326SBUSH104
Select standard bore reducer model number from pages G4-50 to G4-55 or washdown reducers from pages G4-80-G4-107.						
26 Alt.	1-11/16"	1"	26TBUSH100	n/a	26STBUSH100	n/a
		1-3/16"	26TBUSH103	n/a	26STBUSH103	n/a
		1-1/4"	26TBUSH104	n/a	26STBUSH104	n/a
		1-3/8"	26TBUSH106	n/a	26STBUSH106	n/a
Select alternative max bore reducer model number from page G4-118 or washdown reducers from pages G4-80-G4-107.						
30	1-15/16"	1-3/8"	3035TBUSH106	n/a	3035STBUSH106	n/a
		1-7/16"	3035TBUSH107	n/a	3035STBUSH107	n/a
		1-1/2"	3035TBUSH108	n/a	3035STBUSH108	n/a
		1-11/16"	n/a	3035BUSH111		3035SBUSH111
Select standard bore reducer model number from pages G4-56 to G4-61 or washdown reducer from pages G4-80-G4-85.						
35	1-15/16"	1-3/8"	3035TBUSH106	n/a	3035STBUSH106	n/a
		1-7/16"	3035TBUSH107	n/a	3035STBUSH107	n/a
		1-1/2"	3035TBUSH108	n/a	3035STBUSH108	n/a
		1-11/16"		3035BUSH111		3035SBUSH111
Select standard bore reducer model number from pages G4-62 to G4-67 or washdown reducers from pages G4-80-G4-107.						
40	2-3/16"	1-1/2"	40TBUSH108	n/a	n/a	n/a
		1-11/16"	40TBUSH111	n/a	n/a	n/a
Select standard bore reducer model number from pages G4-68 to G4-73 or washdown reducers from pages G4-80-G4-107.						
47	2-15/16"	1-15/16"	47TBUSH115	n/a	n/a	n/a
		2-3/16"	47TBUSH203	n/a	n/a	n/a
Select standard bore reducer model number from pages G4-74 to G4-79 or washdown reducers from pages G4-80-G4-107.						

Required shaft diameter tolerance for GRIP TIGHT bushing: +.000", -.003"

FEATURES/BENEFITS PAGE G4-2	SPECIFICATION PAGE G4-8	NOMENCLATURE PAGE G4-9	RATINGS/DIMENSIONS PAGE G4-16
--------------------------------	----------------------------	---------------------------	----------------------------------



ACCESSORIES

TIGEAR-2 Hollow Reducer With Alternative Maximum Bore

Size 20 Hollow Reducer Part Numbers with Alternative Maximum Bore (1-3/16")

Input	Motor Frame	Ratio									
		5	7.5	10	15	20	25	30	40	50	60
Quill	56C	20Q05HA56	20Q07HA56	20Q10HA56	20Q15HA56	20Q20HA56	20Q25HA56	20Q30HA56	20Q40HA56	20Q50HA56	20Q60HA56
	140TC	20Q05HA14	20Q07HA14	20Q10HA14	20Q15HA14	20Q20HA14	20Q25HA14				
Separate	Select Motor Adapter Kit as Needed	20S05HA	20S07HA	20S10HA	20S15HA	20S20HA	20S25HA	20S30HA	20S40HA	20S50HA	20S60HA
Coupled Assy	56C	20A05HA56	20A07HA56	20A10HA56	20A15HA56	20A20HA56	20A25HA56	20A30HA56	20A40HA56	20A50HA56	20A60HA56
	140TC	20A05HA14	20A07HA14	20A10HA14	20A15HA14	20A20HA14	20A25HA14				

Note: Tapered bushing kits are not available for size 20

Size 23 Hollow Reducer Part Numbers with Alternative Maximum Bore (1-1/2")

Input	Motor Frame	Ratio									
		5	7.5	10	15	20	25	30	40	50	60
Quill	56C	23Q05HA56	23Q07HA56	23Q10HA56	23Q15HA56	23Q20HA56	23Q25HA56	23Q30HA56	23Q40HA56	23Q50HA56	23Q60HA56
	140TC	23Q05HA14	23Q07HA14	23Q10HA14	23Q15HA14	23Q20HA14	23Q25HA14	23Q30HA14	23Q40HA14		
	180TC	23Q05HA18	23Q07HA18	23Q10HA18							
Separate	Select Motor Adapter Kit as Needed	23S05HA	23S07HA	23S10HA	23S15HA	23S20HA	23S25HA	23S30HA	23S40HA	23S50HA	23S60HA
Coupled Assy	56C	23A05HA56	23A07HA56	23A10HA56	23A15HA56	23A20HA56	23A25HA56	23A30HA56	23A40HA56	23A50HA56	23A60HA56
	140TC	23A05HA14	23A07HA14	23A10HA14	23A15HA14	23A20HA14	23A25HA14	23A30HA14	23A40HA14		
	180TC	23A05HA18	23A07HA18	23A10HA18							

Note: These reducers are required when using tapered bushing kits for size 23

Size 26 Hollow Reducer Part Numbers with Alternative Maximum Bore (1-11/16")

Input	Motor Frame	Ratio									
		5	7.5	10	15	20	25	30	40	50	60
Quill	56C		26Q07HA56	26Q10HA56	26Q15HA56	26Q20HA56	26Q25HA56	26Q30HA56	26Q40HA56	26Q50HA56	26Q60HA56
	140TC	26Q05HA14	26Q07HA14	26Q10HA14	26Q15HA14	26Q20HA14	26Q25HA14	26Q30HA14	26Q40HA14	26Q50HA14	26Q60HA14
	180TC	26Q05HA18	26Q07HA18	26Q10HA18	26Q15HA18						
Separate	Select Motor Adapter Kit as Needed	26S05HA	26S07HA	26S10HA	26S15HA	26S20HA	26S25HA	26S30HA	26S40HA	26S50HA	26S60HA
Coupled Assy	56C		26A07HA56	26A10HA56	26A15HA56	26A20HA56	26A25HA56	26A30HA56	26A40HA56	26A50HA56	26A60HA56
	140TC	26A05HA14	26A07HA14	26A10HA14	26A15HA14	26A20HA14	26A25HA14	26A30HA14	26A40HA14	26A50HA14	26A60HA14
	180TC	26A05HA18	26A07HA18	26A10HA18	26A15HA18						

Note: These reducers are required when using tapered bushing kits for size 26

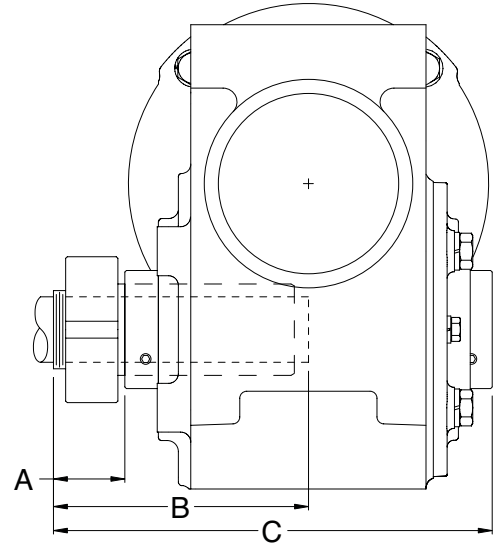
ACCESSORIES

TIGEAR-2 Tapered Bushing Dimensions

Single Bushing With Key

Bushing Located On Side Of Reducer Closest To Driven Device

This is the Preferred mounting method for single bushing applications.



Reducer Size	Driven Shaft Diameter	A Distance From End Of Bushing To End Of Hollow Shaft	B Distance From End Of Bushing To End Of Driven Shaft	C Distance From End Of Bushing To Opposite End Of Hollow Shaft	Keyway Width	Minimum Keyway Length From End Of Driven Shaft
23	1.000	1.25	4.37	7.87	.25	3.12
	1.1875	1.25	4.37	7.87	.25	3.12
26	1.000	1.38	4.50	8.00	.25	3.12
	1.1875	1.38	4.50	8.00	.25	3.12
	1.250	1.38	4.50	8.00	.25	3.12
30	1.375	1.38	4.50	8.00	.3125	3.12
	1.500	1.44	5.12	9.20	.3125	3.68
	1.625	1.44	5.12	9.20	.375	3.68
35*	1.750	1.44	5.12	9.20	.375	3.68
	1.875	1.44	5.12	10.18	.3125	3.68
	2.000	1.44	5.12	10.18	.375	3.68
40*	2.125	1.69	6.24	11.51	.375	4.55
	2.250	1.69	6.24	11.51	.375	4.55
47*	2.375	2.13	7.44	14.01	.500	5.31
	2.500	2.13	7.44	14.01	.500	5.31

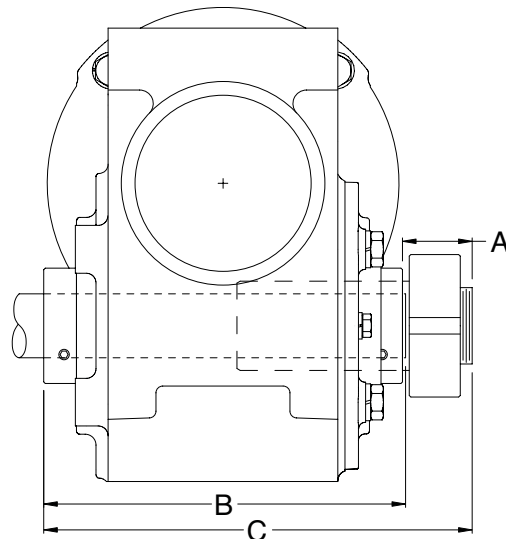
* It is recommended that these size reducers be used with bushings on both sides of the reducer

ACCESSORIES

TIGEAR-2 Tapered Bushing Dimensions

Single Bushing With Key

Bushing Located On Opposite Side of Reducer



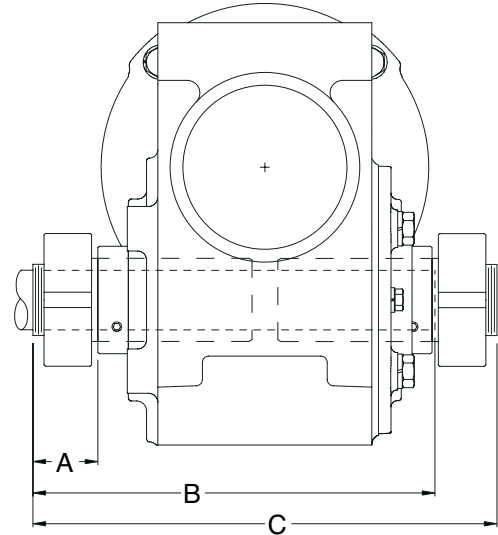
Reducer Size	Driven Shaft Diameter	A Distance From End Of Hollow Shaft To End Of Bushing	B Distance From End Of Hollow Shaft To End Of Driven Shaft	C Distance From Hollow Shaft To End Of Bushing	Keyway Width	Minimum Keyway Length From End Of Driven Shaft
23	1.000	1.25	6.75	7.87	.25	1.75
	1.1875	1.25	6.75	7.87	.25	2.00
26	1.000	1.38	6.75	8.00	.25	1.75
	1.1875	1.38	6.75	8.00	.25	2.00
	1.250	1.38	6.75	8.00	.25	2.13
	1.375	1.38	6.75	8.00	.3125	2.44
30	1.375	1.44	7.89	9.20	.3125	2.44
	1.4375	1.44	7.89	9.20	.375	2.50
	1.500	1.44	7.89	9.20	.375	2.63
35*	1.375	1.44	8.87	10.18	.3125	2.44
	1.4375	1.44	8.87	10.18	.375	2.50
	1.500	1.44	8.87	10.18	.375	2.63
40*	1.500	1.69	9.95	11.51	.375	2.63
	1.6875	1.69	9.95	11.51	.375	2.88
47*	1.9375	2.13	12.01	14.01	.500	3.38
	2.1875	2.13	12.01	14.01	.500	3.75

* It is recommended that these size reducers be used with bushings on both sides of the reducer

ACCESSORIES

TIGEAR-2 Tapered Bushing Dimensions Double Bushing With Key

This is the Preferred mounting method for double bushing applications.

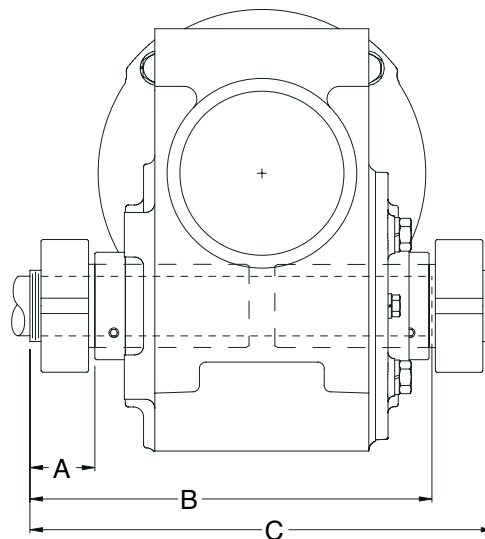


Reducer Size	Driven Shaft Diameter	A Distance From End Of Bushing To End Of Hollow Shaft	B Distance From End Of Bushing To End Of Driven Shaft	C Total Width Of Bushings	Keyway Width	Minimum Keyway Length From End Of Driven Shaft
23	1.000	1.25	8.00	9.13	.25	6.75
	1.1875	1.25	8.00	9.13	.25	6.75
26	1.000	1.38	8.13	9.39	.25	6.75
	1.1875	1.38	8.13	9.39	.25	6.75
	1.250	1.38	8.13	9.39	.25	6.75
	1.375	1.38	8.13	9.39	.3125	6.75
30	1.375	1.44	9.33	10.65	.3125	7.89
	1.4375	1.44	9.33	10.65	.375	7.89
	1.500	1.44	9.33	10.65	.375	7.89
35	1.375	1.44	10.31	11.63	.3125	8.87
	1.4375	1.44	10.31	11.63	.375	8.87
	1.500	1.44	10.31	11.63	.375	8.87
40	1.500	1.69	11.64	13.21	.375	9.95
	1.6875	1.69	11.64	13.21	.375	9.95
47	1.9375	2.13	14.14	16.15	.500	12.01
	2.1875	2.13	14.14	16.15	.500	12.01

ACCESSORIES

TIGEAR-2 Tapered Bushing Dimensions Double Bushing Without Key

Do not use for brake motor applications or other critical applications.



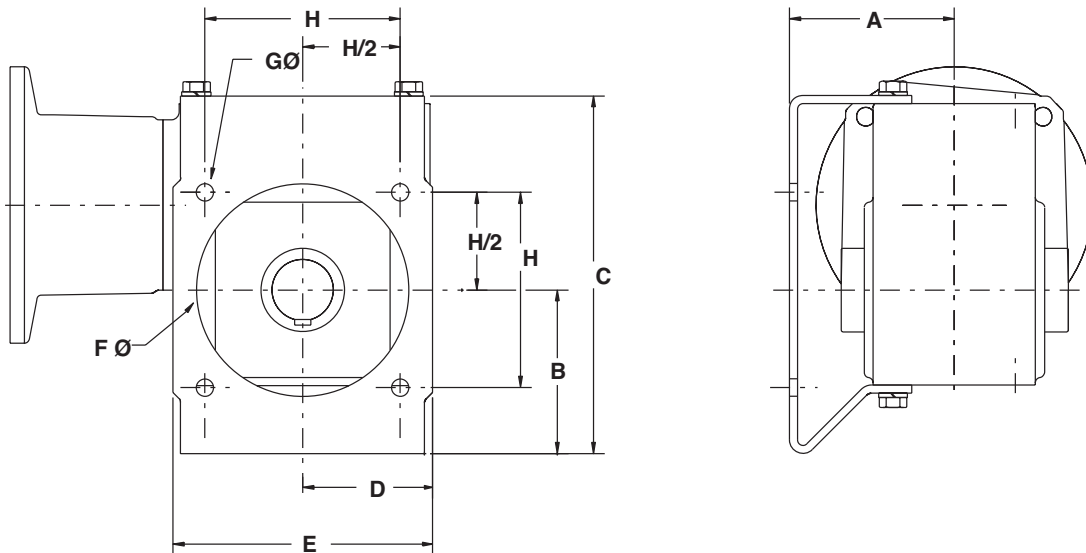
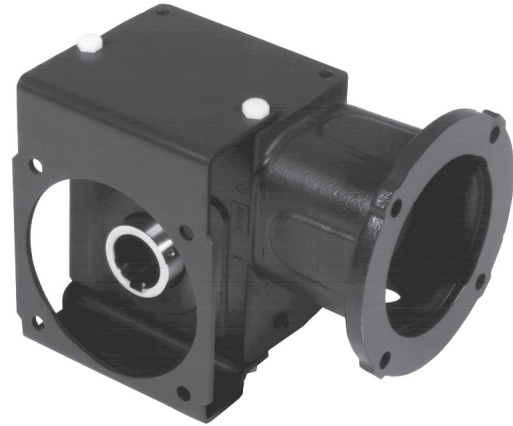
Reducer Size	A Distance From End Of Bushing To End Of Hollow Shaft	B Distance From End Of Bushing To End Of Driven Shaft	C Total Width Of Bushings
23	1.25	8.00	9.13
26	1.38	8.13	9.39
30	1.44	9.33	10.65
35	1.44	10.31	11.63
40	1.69	11.64	13.21
47	2.13	14.14	16.15

ACCESSORIES

TIGEAR-2

Output Bracket Kit

The Output Bracket Kit is used to mount the reducer to a flat surface perpendicular to the output shaft. On Hollow Shaft units, an output bracket may be substituted for a tie rod kit to restrain reactions. Each kit consists of a bracket and required mounting hardware. The Output bracket kit can be mounted to either side of the reducer.



Case Size	Standard Kit No.	E-Z KLEEN Kit No.	A	B	C	D	E	F	G	H
13	13BRACKET	13ZBRACKET	3.00	3.08	6.69	2.33	4.66	3.81	0.34	3.54
15	15BRACKET	15ZBRACKET	3.21	2.81	6.86	2.33	4.66	3.81	0.34	3.54
17	17BRACKET	17ZBRACKET	3.50	3.40	7.71	2.77	5.54	4.44	0.34	4.16
20	20BRACKET	20ZBRACKET	3.88	3.85	8.42	3.05	6.10	5.00	0.41	4.60
23	23BRACKET	23ZBRACKET	3.72	3.92	9.05	3.25	6.50	5.00	0.41	5.30
26	26BRACKET	26ZBRACKET	4.63	4.20	10.20	3.80	7.60	6.56	0.41	5.66
30	30BRACKET	30ZBRACKET	4.50	4.12	10.27	4.39	8.14	7.00	0.41	6.36
35	35BRACKET	35ZBRACKET	5.25	5.51	12.35	4.80	9.60	8.56	0.41	7.07
40	N/A	N/A	N/A	N/A	N/A	N/A	N/A	N/A	N/A	N/A
47	N/A	N/A	N/A	N/A	N/A	N/A	N/A	N/A	N/A	N/A

FEATURES/BENEFITS PAGE G4-2	SPECIFICATION PAGE G4-8	NOMENCLATURE PAGE G4-9	RATINGS/DIMENSIONS PAGE G4-16
--------------------------------	----------------------------	---------------------------	----------------------------------

ACCESSORIES

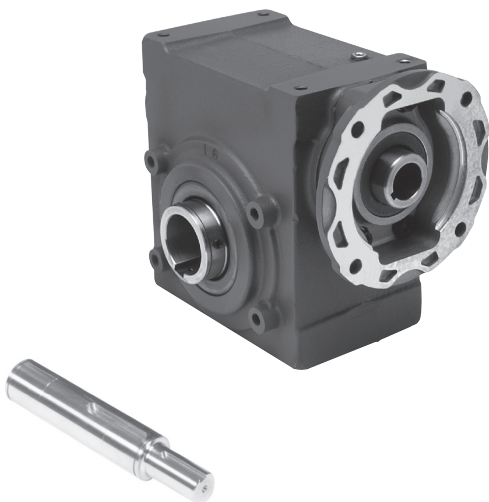
TIGEAR-2

Plug-In Output Shaft Kit

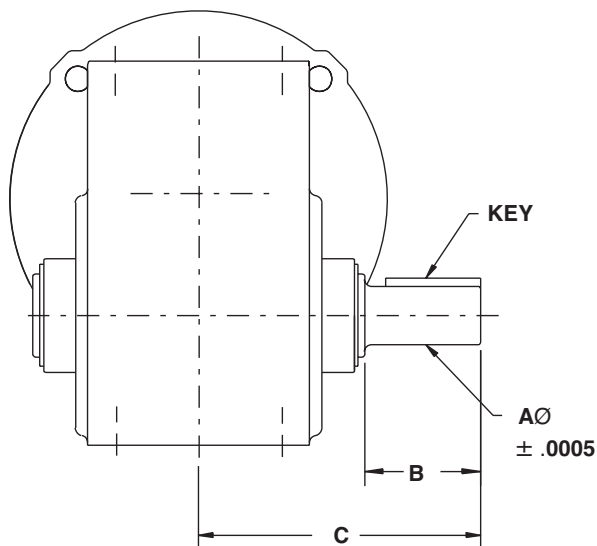
A Plug-In Output Shaft Kit permits the conversion of a Hollow output to a Solid Output reducer. Customers can easily change output shaft locations from L to R with this accessory. These kits can only be used with standard max bore reducers. They cannot be used with alternative max bore reducers. If other shaft requirements are necessary, consult DODGE. Kit includes shaft, snap rings and keys.

Case Size	Kit. No.	A +/- .0005
13	13PLUGIN	0.6245
15	15PLUGIN	0.7495
17	17PLUGIN	0.8745
20	20PLUGIN	0.9995
23	23PLUGIN	1.1245
26	26PLUGIN	1.1245
30	30PLUGIN	1.3745
35	35PLUGIN	1.4995
40	40PLUGIN	1.8745
47	47PLUGIN	1.9995

Case Size	B	C	Key
13	1.82	4.47	3/16 SQ x 1.50
15	1.82	4.47	3/16 SQ x 1.50
17	1.81	4.81	3/16 SQ x 1.50
20	2.11	5.31	1/4 SQ x 1.75
23	2.36	6.05	1/4 SQ x 1.98
26	2.36	6.05	1/4 SQ x 1.98
30	3.43	7.76	5/16 SQ x 3.00
35	3.34	8.17	3/8 SQ x 2.93
40	4.10	9.46	1/2 SQ x 3.53
47	3.93	10.46	1/2 SQ x 3.53



NOTE: Solid shaft gearboxes are recommended whenever overhung load is present. Plug-in shafts can be used for overhung load applications if testing has been done to verify the plug-in shaft performs to expectations. Special length and diameter solid shafts are available through the Tigear-2 Mod Express program shown on page G4-129.



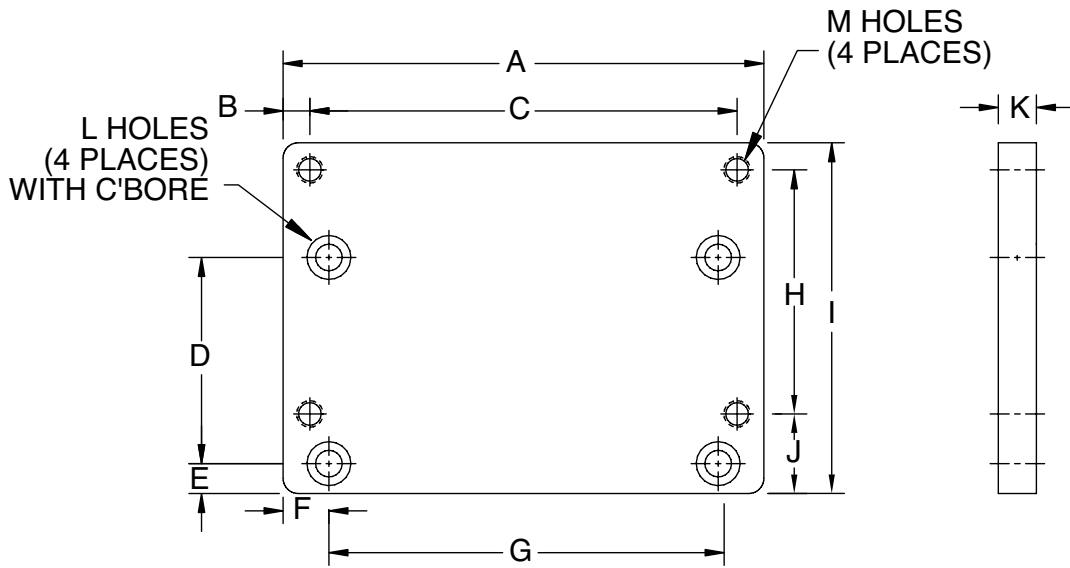
ACCESSORIES

TIGEAR-2

Transition Base Kits For Downsizing

TIGEAR-2 transition base kits allow a smaller reducer to “drop-in” to the bolt hole pattern of the next size larger reducer. This scenario is possible in many replacement situations because of the increases in the TIGEAR-2 output torque capacity.

The base will locate the output shaft in the same position as the one from the larger reducer being replaced.



Down-Sizing

From	To	Kit Number	A	B	C	D	E	F	G	H	I	J	K	L Holes	M Holes
26	23	23DOWN26	7.13	0.38	6.38	2.88	0.69	1.07	5.00	3.38	4.69	0.93	0.63	7/16 DRILL THRU	3/8-16 TAP THRU
30	26	26DOWN30	7.88	0.44	7.00	3.38	0.49	0.75	6.38	4.00	5.75	1.31	0.63	7/16 DRILL THRU	7/16-14 TAP THRU
35	30	30DOWN35	8.38	0.44	7.50	4.00	0.62	0.69	7.00	4.00	5.82	1.38	1.00	1/2 DRILL THRU	7/16-14 TAP THRU

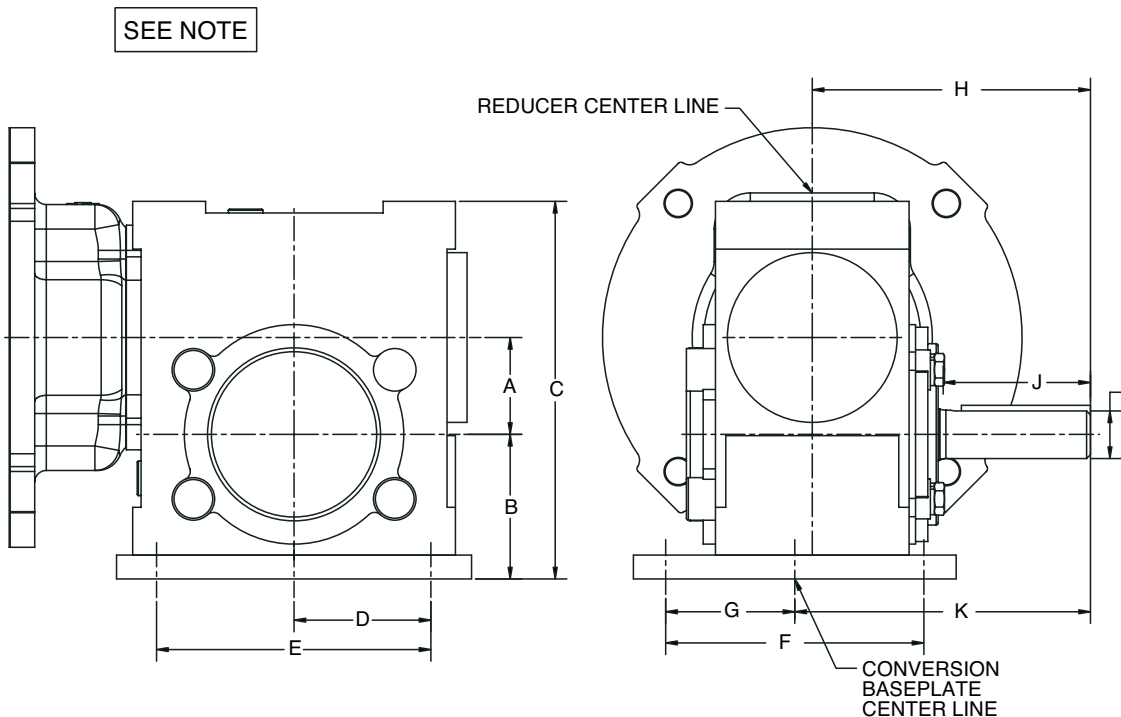
ACCESSORIES

TIGEAR-2 XL Right Angle Conversion Base

TIGEAR-2 conversion base kits allow customers who currently use single reduction Master XL right angle reducers to convert to TIGEAR-2.

The conversion base kits will be supplied with hardware to attach the conversion base to TIGEAR-2 unit.

Please note some dimensional differences exist between the Master XL reducers and TIGEAR-2 reducers with conversion base.



TIGEAR-2 Sizes	Converted XLSize	Kit No.	A	B	C	D	E	F	G	H	I	J	K	Master XL Base To Centerline Of Output Shaft
15	12	W12T015BASE	1.50	2.250	5.86	2.12	4.25	4.00	2.00	4.31	0.750	2.23	4.00	2.23
17	16	W16T017BASE	1.75	2.480	6.34	3.00	6.00	4.50	2.25	4.31	0.875	1.74	4.56	2.48
23	21	W21T023BASE	2.31	3.365	8.25	3.50	7.00	7.00	3.50	5.14	1.125	2.18	6.00	3.37
35	28	W28T035BASE	3.50	4.855	11.44	3.99	8.00	8.00	4.00	7.06	1.500	3.51	7.81	*3.985

* Denotes dimensional difference between XL Right angle and TIGEAR-2 unit with conversion base.

ACCESSORIES

TIGEAR-2

Lubrication

The DODGE TIGEAR-2 reducer is factory filled with a synthetic lubricant which eliminates costly preparation time normally required to put a reducer into service. The lubricant supplied is a high performance, H1 food grade lubricant, suitable for all mounting positions. When reducer selections are properly service factored to account for the thermal limitations of the reducer, the standard lubricant covers an operating ambient temperature range of -10°F to 165°F. No other lubricant available on the market provides the outstanding wear protection and thermal abilities of the factory-filled lubricant. Other lubricants, including Mobile SHC series lubricant, must not be mixed with the factory supplied lubricant.

Low Temperature Lubricant

For operating ambient temperature ranges from -10°F to -30°F, order Low Temperature Lubricant at the time of reducer order. See Mod Express section (page G4-127) for additional information on ordering Low Temp Lubricant. The low temperature lubricant has all of the high performance features of the standard temperature lubricant, but has been modified for lower temperatures. Contact Application Engineering for temperatures below -30°F

Approximate Oil Volumes

Reducer Configuration	Reducer Size											
	13	15	17	20	21 ULTRA KLEEN	23	26	26 ULTRA KLEEN	30	35	40	47
(QS) Quill Input Solid Output Shaft	6 oz.	7 oz.	12 oz.	15 oz.	23 oz.	23 oz.	32 oz.	37 oz.	48 oz.	66 oz.	97 oz.	176 oz.
(QH) Quill Input Hollow Output Shaft	6 oz.	7 oz.	10.2 oz.	14 oz.	18 oz.	21 oz.	28 oz.	32 oz.	44 oz.	60 oz.	89 oz.	164 oz.
Separate or 3-Piece Coupled Input (AS & SS) Solid Output Shaft	9 oz.	11 oz.	18 oz.	23 oz.	N/A	32 oz.	44 oz.	N/A	70 oz.	94 oz.	144 oz.	266 oz.
Separate or 3-Piece Coupled Input (AH & SH) Hollow Output Shaft	9 oz.	10 oz.	15 oz.	21 oz.	N/A	28 oz.	38 oz.	N/A	59 oz.	82 oz.	140 oz.	228 oz.

Replacement factory recommended TIGEAR Lubricant may be ordered from DODGE. Use the following table to determine part number

Standard Temperature Range			Low Temperature Range		
Klubersynth UH1 6-460			Klubersynth UH1 6-150		
Volume	Quart	Gallon	Volume	Quart	Gallon
		32 oz.		128 oz.	
Part Number	334863	334862	Part Number	334861	334860

OUTPUT SHAFT REVERSAL KITS

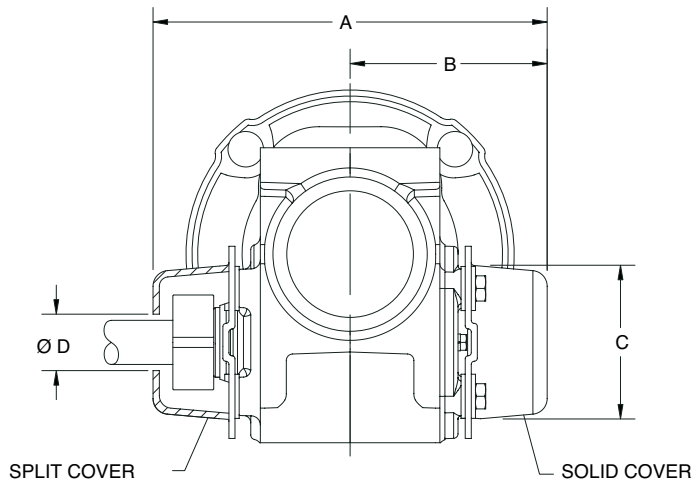
TIGEAR-2 reducers are stocked in left-hand and right-hand output shaft configuration. However, it is possible to convert a left-hand unit to a right-hand unit, or a right-hand unit to a left-hand unit in the field. A shaft reversal kit is required to make this change. Each kit includes a shaft seal, bore plug, o-ring, and instructions.

Reducer Size	Kit Part Number
13	13SHAFTREV
15	15SHAFTREV
17	17SHAFTREV
20	20SHAFTREV
23	23SHAFTREV
26	26SHAFTREV
30	30SHAFTREV
35	35SHAFTREV
40	40SHAFTREV
47	47SHAFTREV

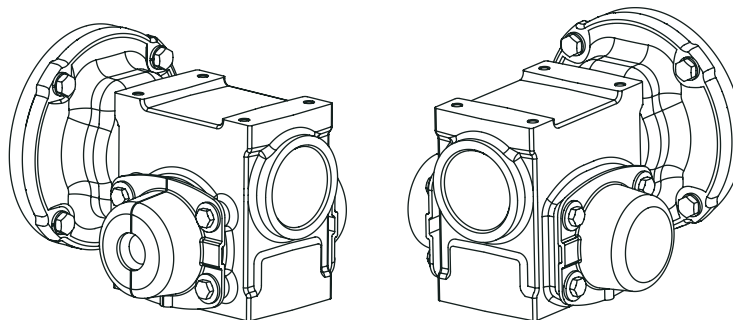
ACCESSORIES

TIGEAR-2 Mod Express Hollow Output Safety Covers

Safety Cover Kits are available to enclose the rotating shaft on hollow output reducers. The kits are designed to fit reducers equipped with GRIP TIGHT or straight-bore bushings, or reducers equipped with the standard straight-bore hollow output shaft. The covers are made from a water-resistant polymer and include stainless steel fasteners for mild washdown applications. The covers are not water tight and it is possible for solid material to collect near the covers.



SAFETY COVER - END VIEW



SAFETY COVER - ISOMETRIC VIEWS

Case Size	Cover Style	Kit Number	A	B	C	D
17	Closed	17CLSDCOVER	8.0	4.0	3.1	---
	Open	17OPENCOVER	8.0	4.0	3.1	1.12
20	Closed	20CLSDCOVER	8.2	4.1	3.8	---
	Open	20OPENCOVER	8.2	4.1	3.8	1.50
23	Closed	23CLSDCOVER	9.2	4.6	3.4	---
	Open	23OPENCOVER	9.2	4.6	3.4	1.75
26	Closed	26CLSDCOVER	9.6	4.8	4.4	---
	Open	26OPENCOVER	9.6	4.8	4.4	1.94
30	Closed	30CLSDCOVER	10.8	5.4	3.9	---
	Open	30OPENCOVER	10.8	5.4	3.9	2.19
35	Closed	35CLSDCOVER	12.0	6.0	5.5	---
	Open	35OPENCOVER	12.0	6.0	5.5	2.19
40	Closed	40CLSDCOVER	13.6	6.8	4.5	---
	Open	40OPENCOVER	13.6	6.8	4.5	2.44



MOD EXPRESS

TIGEAR-2 Mod Express

TIGEAR-2 Mod Express program provides common options for the TIGEAR-2 product line. All options are performed at the factory but standard delivery time may be increased if engineering time and/or parts are required to be outsourced for modification. All modified units will be assigned a unique part number. Net price adders for most modifications can be found at the end of the TIGEAR-2 section in the MLP book. For pricing not listed contact marketing.

Modification	Part Number Suffix	Notes
Special Output Bore Diameter	BDyxx	See Note 1
Harsh Duty Output Seals	HD	Option available only on standard reducers
Special Input Shaft Diameter	IDyxx	Option only available on Separate reducers. See Notes 1 and 3
Special Input Shaft Length	ILyxx	Option only available on Separate reducers. See Notes 1 and 3
Low Temperature Lubricant	LT	Suitable for ≥ 30 deg F temperature range.
Stainless Steel Hardware	SH	Option available only on standard units
Special Sealed Input Bearing	SB	For vertically mounted 3-Piece Coupled input reducers. Bearing is changed from open to sealed.
Stainless Epoxy Paint	SP	Option available only on standard units. See Note 2.
Special Output Shaft Length	SLyxx	See Notes 1 and 3
Special Output Shaft Diameter	SDyxx	See Notes 1 and 3
White Epoxy Paint	WP	See Note 2.

NOTE 1 - Marketing approval required

NOTE 2 - Not available on Ultra-Kleen reducers

NOTE 3 - Overhung load capacity must be verified with Engineering

y = the whole number of inches required. xx = the number of sixteenths. (Example: for 1.5", yxx = 108; for 2-15/16" yxx = 215; etc.)

For METRIC dimensions, annotate yxx in the closest inch dimension and add metric dimension to note on order

FEATURES/BENEFITS PAGE G4-2	SPECIFICATION PAGE G4-8	NOMENCLATURE PAGE G4-9	RATINGS/DIMENSIONS PAGE G4-16
--------------------------------	----------------------------	---------------------------	----------------------------------

TIGEAR-2 Shipping Weights - Approximate

Standard and E-Z KLEEN

Input Style	Motor Frame	Reducer Case Size									
		13	15	17	20	23	26	30	35	40	47
Quill and Separate	56/140	17	20	26	31	45	51	81	100	160	
	180/210					47	53	86	102	160	245
	250									160	245

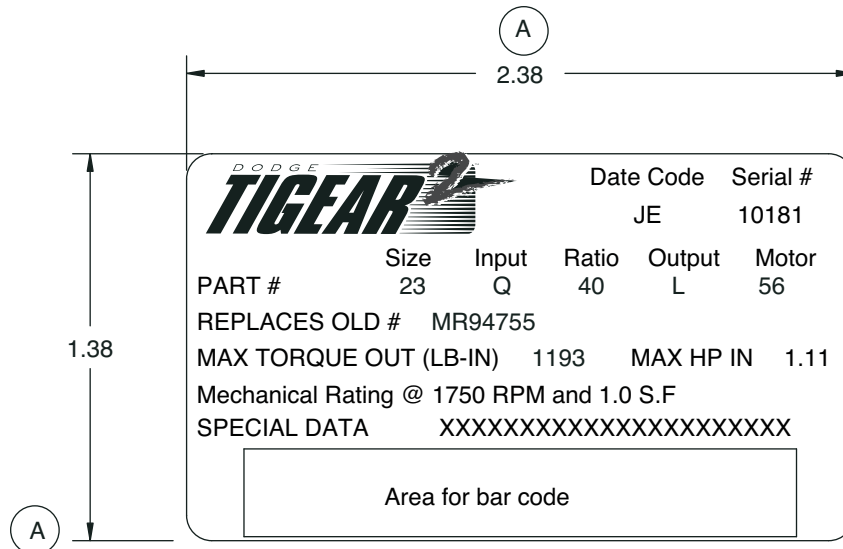
Input Style	Motor Frame	Reducer Case Size									
		13	15	17	20	23	26	30	35	40	47
3-Piece Coupled	56/140	18	22	29	34	50	57	91	113	166	
	180/210					53	60	108	120	166	251
	250									166	251

ULTRA KLEEN

Input Style	Motor Frame	Reducer Case Size									
		17	21	23	26	30					
Quill	56/140	28	38	50	65	79					
	180			50	65	79					

Input Style	Motor Frame	Reducer Case Size									
		17	23	30							
3-Piece Coupled	56/140	32	58	83							
	180		58	83							

Nameplate Layout





ENGINEERING/TECHNICAL

Manufactured Date Code Chart

	JAN	FEB	MAR	APR	MAY	JUN	JUL	AUG	SEP	OCT	NOV	DEC
1966	AR	BR	CR	DR	ER	FR	GR	HR	JR	KR	LR	MR
1967	AS	BS	CS	DS	ES	FS	GS	HS	JS	KS	LS	MS
1968	AT	BT	CT	DT	ET	FT	GT	HT	JT	KT	LT	MT
1969	AU	BU	CU	DU	EU	FU	GU	HU	JU	KU	LU	MU
1970	AV	BV	CV	DV	EV	FV	GV	HV	JV	KV	LV	MV
1971	AW	BW	CW	DW	EW	FW	GW	HW	JW	KW	LW	MW
1972	AX	BX	CX	DX	EX	FX	GX	HX	JX	KX	LX	MX
1973	AY	BY	CY	DY	EY	FY	GY	HY	JY	KY	LY	MY
1974	AZ	BZ	CZ	DZ	EZ	FZ	GZ	HZ	JZ	KZ	LZ	MZ
1975	NA	PA	QA	RA	SA	TA	UA	VA	WA	XA	YA	ZA
1976	NB	PB	QB	RB	SB	TB	UB	VB	WB	XB	YB	ZB
1977	NC	PC	QC	RC	SC	TC	UC	VC	WC	XC	YC	ZC
1978	ND	PD	QD	RD	SD	TD	UD	VD	WD	XD	YD	ZD
1979	NE	PE	QE	RE	SE	TE	UE	VE	WE	XE	YE	ZE
1980	NF	PF	QF	RF	SF	TF	UF	VF	WF	XF	YF	ZF
1981	NG	PG	QG	RG	SG	TG	UG	VG	WG	XG	YG	ZG
1982	NH	PH	QH	RH	SH	TH	UH	VH	WH	XH	YH	ZH
1983	NJ	PJ	QJ	RJ	SJ	TJ	UJ	VJ	WJ	XJ	YJ	ZJ
1984	NK	PK	QK	RK	SK	TK	UK	VK	WK	XK	YK	ZK
1985	NL	PL	QL	RL	SL	TL	UL	VL	WL	XL	YL	ZL
1986	NM	PM	QM	RM	SM	TM	UM	VM	WM	XM	YM	ZM
1987	NN	PN	QN	RN	SN	TN	UN	VN	WN	XN	YN	ZN
1988	NP	PP	QP	RP	SP	TP	UP	VP	WP	XP	YP	ZP
1989	NQ	PQ	QQ	RQ	SQ	TQ	UQ	VQ	WQ	XQ	YQ	ZQ
1990	NR	PR	QR	RR	SR	TR	UR	VR	WR	XR	YR	ZR
1991	NS	PS	QS	RS	SS	TS	US	VS	WS	XS	YS	ZS
1992	NT	PT	QT	RT	ST	TT	UT	VT	WT	XT	YT	ZT
1993	NU	PU	QU	RU	SU	TU	UU	VU	WU	XU	YU	ZU
1994	NW	PW	QW	RW	SW	TW	UW	VW	WW	XW	YW	ZW
1995	NX	PX	QX	RX	SX	TX	UX	VX	WX	XX	YX	ZX
1996	NY	PY	QY	RY	SY	TY	UY	VY	WY	XY	YY	ZY
1997	NZ	PZ	QZ	RZ	SZ	TZ	UZ	VZ	WZ	XZ	YZ	ZZ
1998	AA	BA	CA	DA	EA	FA	GA	HA	JA	KA	LA	MA
1999	AB	BB	CB	DB	EB	FB	GB	HB	JB	KB	LB	MB
2000	AC	BC	CC	DC	EC	FC	GC	HC	JC	KC	LC	MC
2001	AD	BD	CD	DD	ED	FD	GD	HD	JD	KD	LD	MD
2002	AE	BE	CE	DE	EE	FE	GE	HE	JE	KE	LE	ME
2003	AF	BF	CF	DF	EF	FF	GF	HF	JF	KF	LF	MF
2004	AG	BG	CG	DG	EG	FG	GG	HG	JG	KG	LG	MG
2005	AH	BH	CH	DH	EH	FH	GH	HH	JH	KH	LH	MH
2006	AJ	BJ	CJ	DJ	EJ	FJ	GJ	HJ	JJ	KJ	LJ	MJ
2007	AK	BK	CK	DK	EK	FK	GK	HK	JK	KK	LK	MK
2008	AL	BL	CL	DL	EL	FL	GL	HL	JL	KL	LL	ML
2009	AM	BM	CM	DM	EM	FM	GM	HM	JM	KM	LM	MM
2010	AN	BN	CN	DN	EN	FN	GN	HN	JN	KN	LN	MN
2011	AP	BP	CP	DP	EP	FP	GP	HP	JP	KP	LP	MP
2012	AQ	BQ	CQ	DQ	EQ	FQ	GQ	HQ	JQ	KQ	LQ	MQ
2013	AR	BR	CR	DR	ER	FR	GR	HR	JR	KR	LR	MR
2014	AS	BS	CS	DS	ES	FS	GS	HS	JS	KS	LS	MS
2015	AT	BT	CT	DT	ET	FT	GT	HT	JT	KT	LT	MT

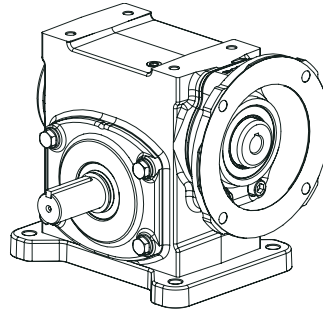
FEATURES/BENEFITS PAGE G4-2	SPECIFICATION PAGE G4-8	NOMENCLATURE PAGE G4-9	RATINGS/DIMENSIONS PAGE G4-16
--------------------------------	----------------------------	---------------------------	----------------------------------

MOUNTING POSITIONS

TIGEAR-2 Mounting Positions

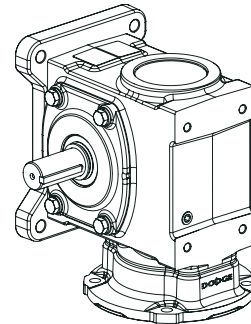
TIGEAR-2 reducers are supplied with a high performance lubricant factory filled to a level suitable for all approved mounting positions. Positions shown as not recommended do NOT void the product warrant. They are however, positions that can cause problems in certain applications. Mounting position nomenclature is NOT required when ordering. Mounting positions apply to all input and output configurations.

Floor Mounted,
Motor Adapter Or Input Shaft Above The Output Shaft

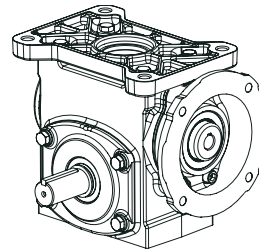


Wall Mounted,
Motor Adapter Or Input Shaft Facing Down

See Note 2

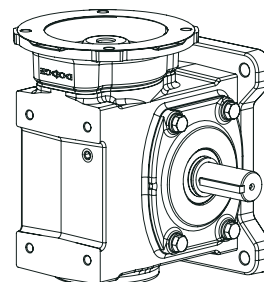


Ceiling Mounted,
Motor, Motor Adapter Or Input Shaft Above The Output Shaft



Wall Mounted,
Motor Adapter Or Input Shaft Facing Up

See Note 3

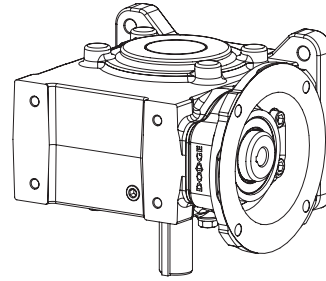


Recommend 3-piece Coupled Input with Special Sealed Input Bearing. (See Mod Express, page G4-127 for additional information.)

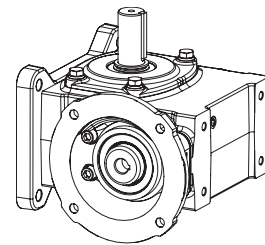
MOUNTING POSITIONS

TIGEAR-2 Mounting Positions

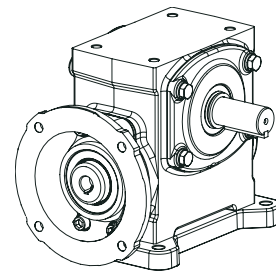
Wall Mounted,
Output Shaft Down
See Note 4



Wall Mounted,
Output Shaft Up
See Note 4



Floor or Ceiling Mounted,
Motor Adapter Or Input Shaft Below Output Shaft
See Note 1



Note 1 Not recommended due to flooded input seal.

Note 2 Not recommended due to the flooded input seal and the upper bearing which will not get sufficient lubrication.

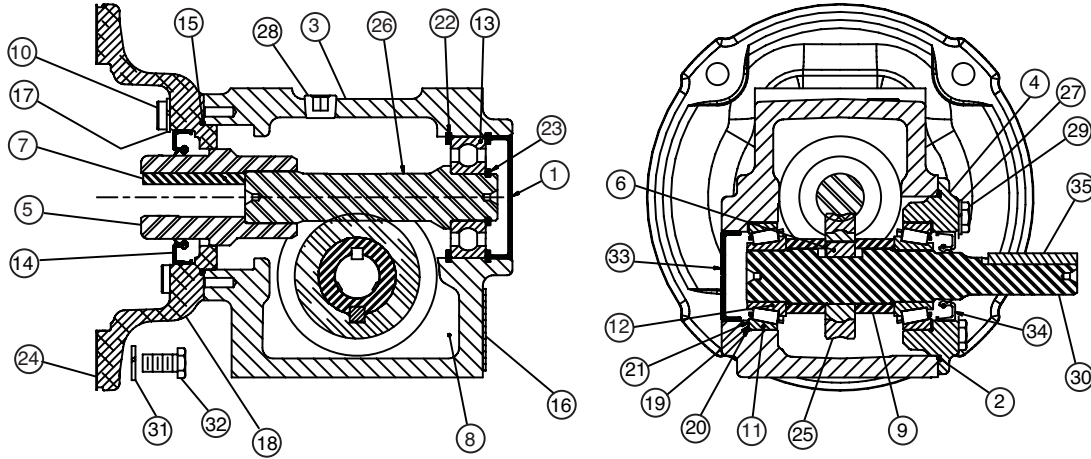
Note 3 Not recommended for 3-piece coupled input. The upper input bearing will not get sufficient lubrication.

Note 4 Not recommended for Quill input

FEATURES/BENEFITS PAGE G4-2	SPECIFICATION PAGE G4-8	NOMENCLATURE PAGE G4-9	RATINGS/DIMENSIONS PAGE G4-16
--------------------------------	----------------------------	---------------------------	----------------------------------

RENEWAL PARTS

TIGEAR-2 With Quill Input / Solid Output Sizes 13 - 23

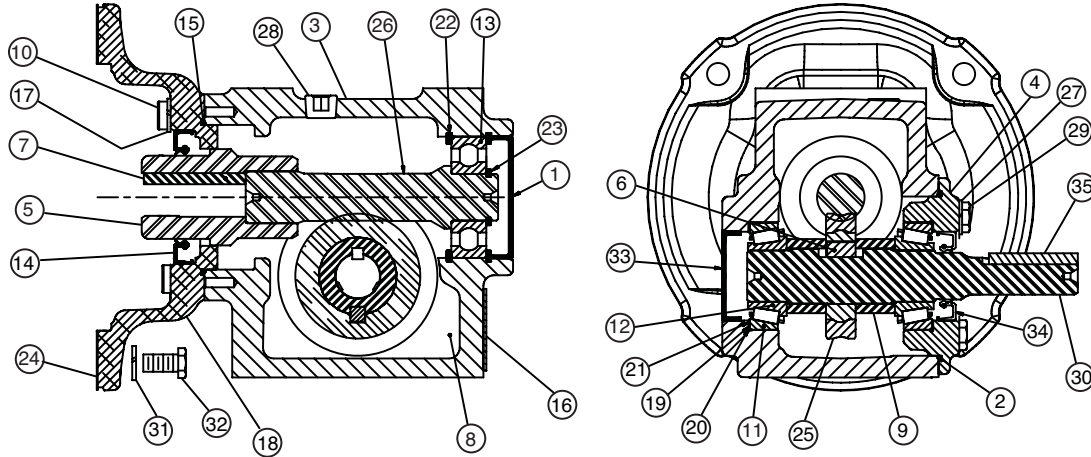


Ref No.	Description	Qty	13	15	17	20	23
			Part Number	Part Number	Part Number	Part Number	Part Number
1	INPUT BORE PLUG	1	335603	335603	335600	335600	335601
2	O-RING	1	276019	276019	276134	276355	334307
3	TIG2 SOLID GEARCASE	1	333210	333211	333212	333213	333214
4	T2 133& 150 SOLID BRG HSG	1	333265	333265	333266	333267	333268
5	QUILL CPLG 150 56C ❖	1	-----	-----	-----	-----	-----
6	GEAR KEY	1	333650	333661	333666	333671	333686
7	DRIV-LOK KEY 56-140	1	333698	333698	333667	333667	333698
	DRIV-LOK KEY 180TC	1	-----	-----	-----	-----	333707
	DRIV-LOK KEY 210TC	1	-----	-----	-----	-----	-----
	DRIV-LOK KEY 250TC	1	-----	-----	-----	-----	-----
8	TIGEAR 2 LUBRICANT	1	334863	334863	334863	334863	334863
9	SOLID SPACER	2	333725	333726	333727	333728	333729
10	SOCKET HEAD CAP SCR GR8	4	333801	333801	333801	333801	51492
	SCKT HD CAP SCR 180-210-250	4	-----	-----	-----	-----	-----
11-12	BEARING CUP/CONE ASSM	2	335337	335337	411626-01-C	411626-01-A	411626-01-A
13	BALL BEARING	1	334218	334218	334219	334219	334220
14	INPUT SEAL T2 56-140	1	334274	334274	334274	334274	334276
	INPUT SEAL T2 180-210-250	1	-----	-----	-----	-----	-----
15	"O-RING, NITRILE"	1	334301	334301	334301	334301	276355
16	TIGEAR 2 NAMEPLATE	1	334305	334305	334305	334305	334305
17	MED LOCKWASHER	4	419010	419010	419010	419010	275803

❖ Contact DODGE Renewal Parts

RENEWAL PARTS

TIGEAR-2 With Quill Input / Solid Output Sizes 13 - 23



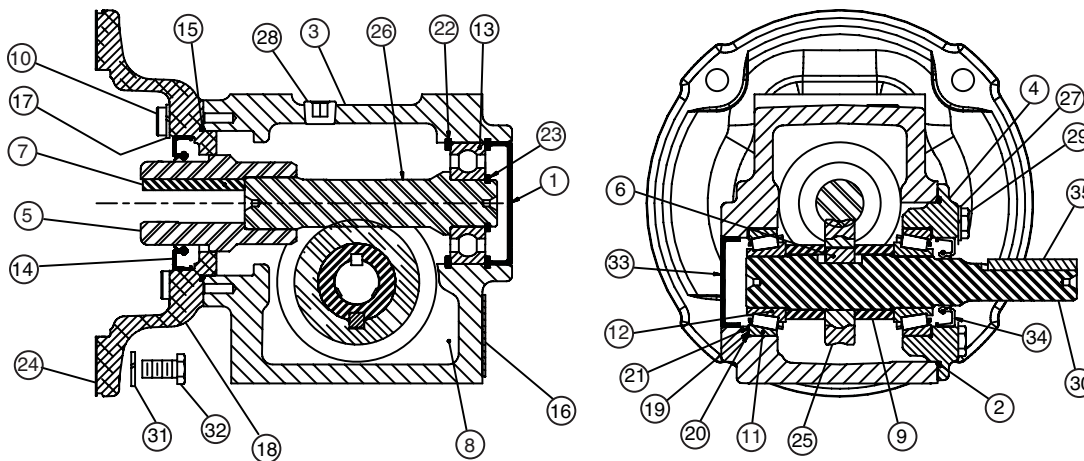
Ref No.	Description	Qty	13	15	17	20	23
			Part Number	Part Number	Part Number	Part Number	Part Number
18	MOTOR ADAPTER T2 56-140	1	333228	333228	333228	333228	333229
	MOTOR ADAPTER 180	1	-----	-----	-----	-----	334681
19-21	SHIM KIT	1	411642-46-E	411642-46-E	411623-33-A	411623-33-B	411623-33-B
22	INTERNAL RET RING	2	411637-02-AV	411637-02-AV	58256	58256	411637-01-A
23	EXTERNAL RET RING	1	411637-02-E	411637-02-AY	411637-02-AY	411637-02-N	
24	56/140 M/A. GASKET	1	602028-43-F	602028-43-F	602028-43-F	602028-43-F	602028-43-F
	MTR ADPT GSKT 180-210-250	1	-----	-----	-----	-----	276335
25	TIG2 SOLID GEAR ❖	1	-----	-----	-----	-----	-----
26	TIG2 WORMSHAFT ❖	1	-----	-----	-----	-----	-----
27	MED LOCKWASHER	4	419009	419009	419010	419010	275803
28	PIPE PLUG 1/4" SOC.	2	411647-34-B	411647-34-B	411647-34-B	411647-34-B	411647-34-B
29	HEX HEAD CAP SCREW GR5	4	51302	51302	411405	411405	51929
30	SOLID O/P SHFT-SINGLE EXTN	1	333604	333605	333606	333607	333608
31	LOCK WASHER 56-140	4	275803	275803	275803	275803	275803
	LOCK WASHER 180-210	4	-----	-----	-----	-----	-----
32	HEX HD CAP SCR MTR 56-140	4	51929	51929	51929	51492	51929
	HEX HD CAP SCR MTR 180-210	4	-----	-----	-----	-----	41163158X
	HEX HD CAP SCR MTR 250	4	-----	-----	-----	-----	-----
33	OUTPUT BORE PLUG	1	335605	335605	335606	335608	335608
34	TIG2 SEAL, OUTPUT	1	334271	334271	334272	334273	334273
35	KEY	1	333665	333660	333665	333827	333685

❖ Contact DODGE Renewal Parts

FEATURES/BENEFITS PAGE G4-2	SPECIFICATION PAGE G4-8	NOMENCLATURE PAGE G4-9	RATINGS/DIMENSIONS PAGE G4-16
--------------------------------	----------------------------	---------------------------	----------------------------------

RENEWAL PARTS

TIGEAR-2 With Quill Input / Solid Output Sizes 26 - 47

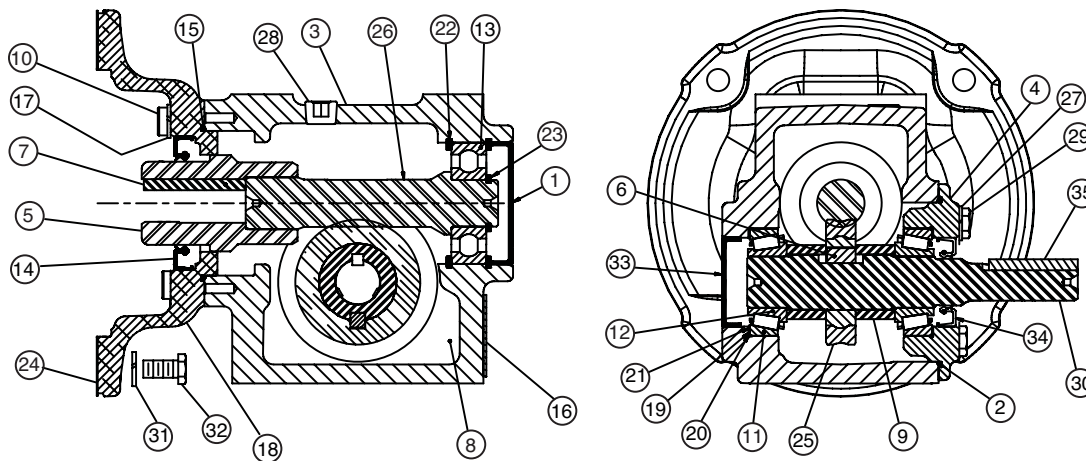


Ref No.	Description	Qty	26	30	35	40	47
			Part Number	Part Number	Part Number	Part Number	Part Number
1	INPUT BORE PLUG	1	335609	335602	335604	335610	335613
2	O-RING	1	334302	334308	276358	334313	334315
3	TIG2 SOLID GEARCASE	1	333215	333216	333217	334506	334576
4	T2 133& 150 SOLID BRG HSG	1	333269	333270	333271	334510	334580
5	QUILL CPLG 150 56C ❖	1	-----	-----	-----	-----	-----
6	GEAR KEY	1	333696	333706	333775	334564	334624
7	DRIV-LOK KEY 56-140	1	333698	333698	333715	334557	334557
	DRIV-LOK KEY 180TC	1	333707	333707	333707	334558	334558
	DRIV-LOK KEY 210TC	1	-----	-----	333721	334559	334559
	DRIV-LOK KEY 250TC	1	-----	-----	-----	334560	334560
8	TIGEAR 2 LUBRICANT	1	334862	334862	334862	334862	334862
9	SOLID SPACER	2	333730	333731	333732	334565	334625
10	SOCKET HEAD CAP SCR GR8	4	51492	51492	51952	51952	51952
	SCKT HD CAP SCR 180-210-250	4	-----	-----	334374	334374	334374
11-12	BEARING CUP/CONE ASSM	2	411626-01-A	335338	411626-01-R	335340	335344
13	BALL BEARING	1	334221	334222	334223	334224	334225
14	INPUT SEAL T2 56-140	1	334276	334276	334276	334276	334276
	INPUT SEAL T2 180-210-250	1	-----	-----	334279	334279	334279
15	O-RING, NITRILE	1	276355	276355	334302	334302	334302
16	TIGEAR 2 NAMEPLATE	1	334305	334305	334305	334305	334305
17	MED LOCKWASHER	4	275803	275803	275855	275855	275855

❖ Contact DODGE Renewal Parts

RENEWAL PARTS

TIGEAR-2 With Quill Input / Solid Output Sizes 26 - 47



Ref No.	Description	Qty	26	30	35	40	47
			Part Number	Part Number	Part Number	Part Number	Part Number
18	MOTOR ADAPTER T2 56-140	1	333229	333229	334759	334759	-----
	MOTOR ADAPTER 180-210	1	334681	334681	333231	333231	333231
	MOTOR ADPT PLT 250TC (1)	1	-----	-----	-----	334570	334570
19-21	SHIM KIT	1	411623-33-B	335330	411623-33-C	335331	335336
22	INTERNAL RET RING	2	278715	411637-02-AC	278717	51334	51335
23	EXTERNAL RET RING	1	411637-02-AP	411637-02-AR	411637-02-BA	334404	333933
24	56/140 M/A. GASKET	1	602028-43-F	602028-43-F	602028-43-F	602028-43-F	602028-43-F
	MTR ADPT GSKT 180-210-250 (4)	1	276335	276335	276335	276335	276335
25	TIG2 SOLID GEAR ❖	1	-----	-----	-----	-----	-----
26	TIG2 WORMSHAFT ❖	1	-----	-----	-----	-----	-----
27	MED LOCKWASHER	4	275803	275855	275855	419036	419036
28	PIPE PLUG 1/4" SOC.	2	411647-34-B	411647-34-B	411647-34-B	411647-34-B	411647-34-B
29	HEX HEAD CAP SCREW GR5	4	51929	51952	51952	411483	411484
30	SOLID O/P SHFT-SINGLE EXTN	1	333609	333610	333611	334554	334619
31	LOCK WASHER 56-140	4	275803	275803	275803	275803	275803
	LOCK WASHER 180-210	4	-----	-----	275855	275853	275853
32	HEX HD CAP SCR MTR 56-140	4	51929	51929	51929	51929	51929
	HEX HD CAP SCR MTR 180-210	4	411631-63-A	411631-63-A	411631-58-X	334896	334896
	HEX HD CAP SCR MTR 250	4	-----	-----	-----	276446	276446
33	OUTPUT BORE PLUG	1	335608	335607	335614	335611	335612
34	TIG2 SEAL, OUTPUT	1	334273	334274	334275	334277	334278
35	KEY	1	333695	333705	333716	333829	333829

(1) 250TC adpt plate bolts onto 180-210 motor adapter.

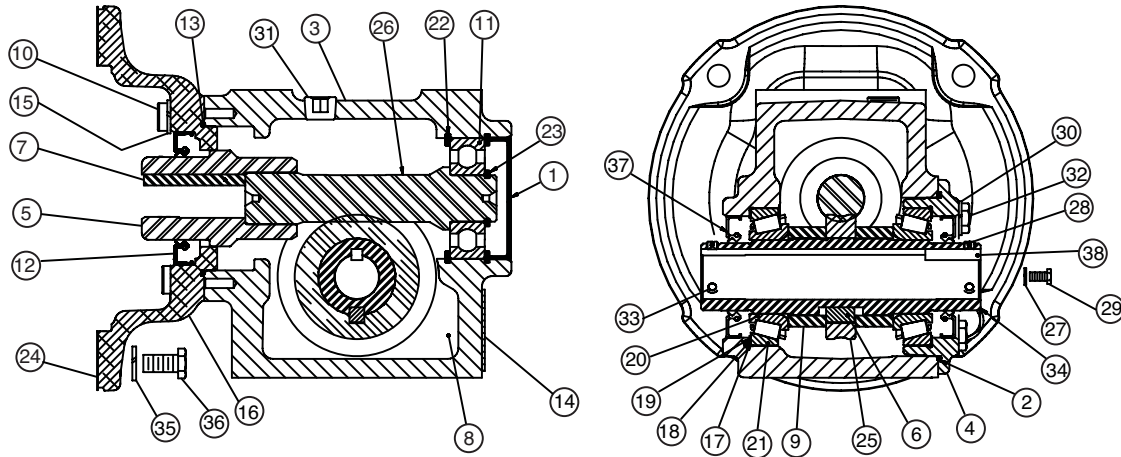
(4) Frame size 250 uses qty 2.

❖ Contact DODGE Renewal Parts

FEATURES/BENEFITS PAGE G4-2	SPECIFICATION PAGE G4-8	NOMENCLATURE PAGE G4-9	RATINGS/DIMENSIONS PAGE G4-16
--------------------------------	----------------------------	---------------------------	----------------------------------

RENEWAL PARTS

TIGEAR-2 With Quill Input / Hollow Output Sizes 13 - 23



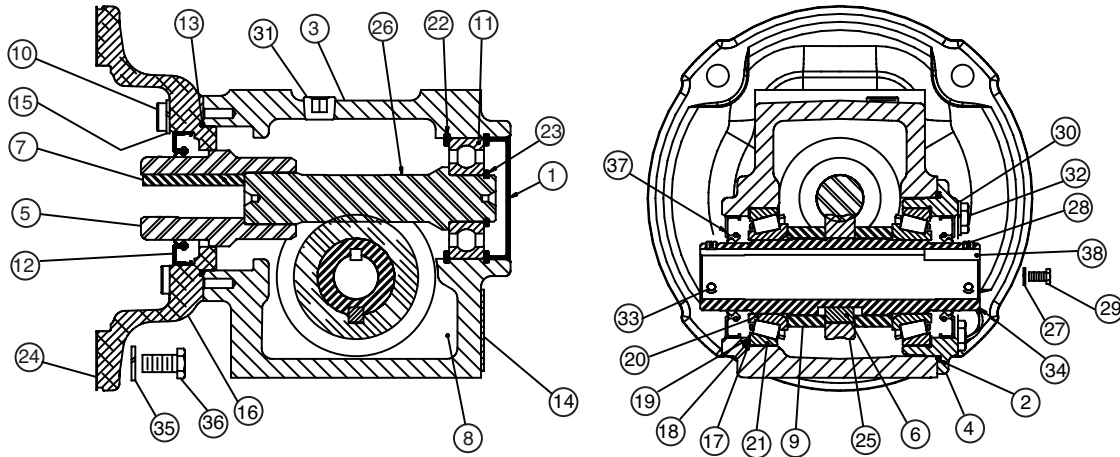
Ref No	Description	Qty	13	15	17	20	23
			Part Number	Part Number	Part Number	Part Number	Part Number
1	1/P RIBBED BORE PLUG	1	335603	335603	335600	335600	335601
2	O-RING	1	276019	276019	276134	276355	334307
3	TIG2 HOLLOW GEARCASE	1	333218	333219	333220	333221	333222
4	T2 HOLLOW BRG HOUSING	1	333281	333281	333282	333283	333284
5	QUILL CPLG ❖	1	-----	-----	-----	-----	-----
6	SOLID GEAR KEY	1	333650	333650	333666	333671	333686
7	DRIV-LOK KEY 56-140	1	333698	333698	333667	333667	333698
	DRIV-LOK KEY 180TC	1	-----	-----	-----	-----	333707
8	TIGEAR 2 LUBRICANT	1	334863	334863	334863	334863	334862
9	TIG2 HOLLW O/P SPACER	2	333733	333734	333735	333736	333737
10	SOCKET HEAD CAP SCREW	4	333801	333801	333801	333801	51492
11	BALL BRG.	1	334218	334218	334219	334219	334220
12	TIG2 SEAL, INPUT 56-140	1	334274	334274	334274	334274	334276
	TIG2 SEAL, INPUT 180-210	1	-----	-----	-----	-----	-----
13	O-RING. NITRILE	1	334301	334301	334301	334301	276355
14	TIGEAR 2 NAMEPLATE FIN	1	334305	334305	334305	334305	334305
15	MED LOCKWASHER	4	419010	419010	419010	419010	275803
16	MOTOR ADAPTER T2 56-140	1	333228	333228	333228	333228	333229
	MOTOR ADAPTER, 180	1	-----	-----	-----	-----	334681
17-19	SHIM KIT	1	411623-33-B	411623-33-B	335330	411623-33-C	335331

❖ Contact DODGE Renewal Parts

FEATURES/BENEFITS PAGE G4-2	SPECIFICATION PAGE G4-8	NOMENCLATURE PAGE G4-9	RATINGS/DIMENSIONS PAGE G4-16
--------------------------------	----------------------------	---------------------------	----------------------------------

RENEWAL PARTS

TIGEAR-2 With Quill Input / Hollow Output Sizes 13 - 23



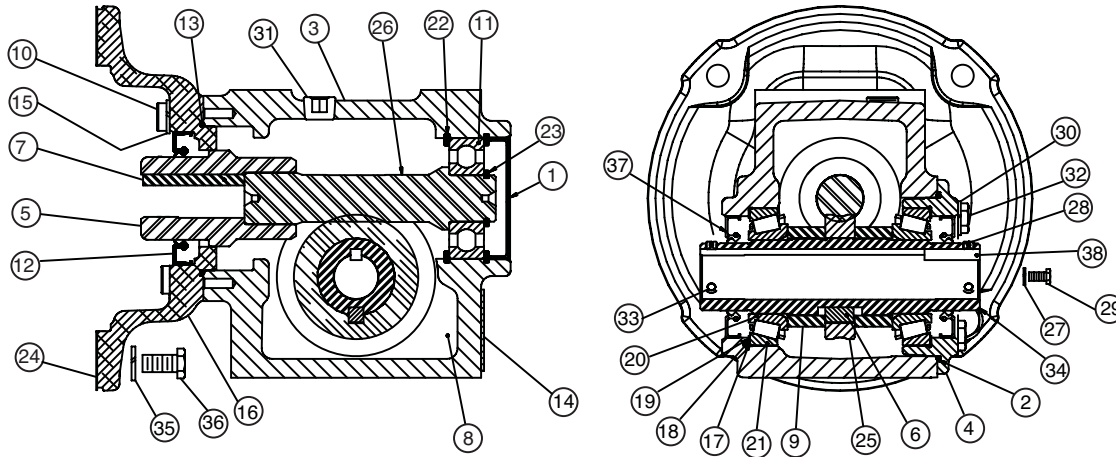
Ref No	Description	Qty	13	15	17	20	23
			Part Number	Part Number	Part Number	Part Number	Part Number
20-21	BEARIN CUP/CONE ASSEMBLY	2	411626-01-A	411626-01-A	335338	335339	335340
22	INTERNAL RET RING	2	411637-02-AV	411637-02-AV	58256	58256	411637-01-A
23	EXTERNAL RET RING	1	411637-02-E	411637-02-E	411637-02-AY	411637-02-AY	411637-02-N
24	56/140 M/A. GASKET	1	602028-43-F	602028-43-F	602028-43-F	602028-43-F	602028-43-F
	MOTOR ADPT GASKET 180-210-250	1	-----	-----	-----	-----	276335
25	TIG2 HOLLOW GEAR ❖	1	-----	-----	-----	-----	-----
26	TIG2 WORMSHAFT ❖	1	-----	-----	-----	-----	-----
27	MED LOCKWASHER	2	419007	419007	419007	419007	419009
28	SET SCREW	2	400140	400140	400140	400140	400140
29	HEX HEAD CAP SCREW	2	58270	58270	333800	333800	51302
30	MED LOCKWASHER	4	419009	419009	419010	419010	275803
31	PIPE PLUG 1/4" OC.	2	411647-34-B	411647-34-B	411647-34-B	411647-34-B	411647-34-B
32	HEX HEAD CAP SCREW	4	51302	51302	411405	411405	51929
33	SET SCREW	4	275953	275953	275953	275953	275953
34	TIG2 HOLLOW O/P SHAFT	1	333629	333629	333631	334789	333633
35	LOCK WASHER 56-140	4	275803	275803	275803	275803	275803
	LOCK WASHER 180	4	-----	-----	-----	-----	-----
36	HEX HEAD CAP SCREW	4	51492	51492	51929	51492	51929
	SHCS MTR MOUNTING 180-210	4	-----	-----	-----	-----	411631-63-A
	SHCS MTR MOUNTING 250	4	-----	-----	-----	-----	-----
37	SEAL TIGEAR 2, OUTPUT	2	334273	334273	334274	334276	334277
38	OUTPUT KEY	1	333831	333831	333827	333827	333687

❖ Contact DODGE Renewal Parts

FEATURES/BENEFITS PAGE G4-2	SPECIFICATION PAGE G4-8	NOMENCLATURE PAGE G4-9	RATINGS/DIMENSIONS PAGE G4-16
--------------------------------	----------------------------	---------------------------	----------------------------------

RENEWAL PARTS

TIGEAR-2 With Quill Input / Hollow Output Sizes 26 - 47



Ref No	Description	Qty	26	30	35	40	47
			Part Number	Part Number	Part Number	Part Number	Part Number
1	I/P RIBBED BORE PLUG	1	335609	335602	335604	335610	335613
2	O-RING	1	334302	334308	276358	334313	334315
3	TIG2 HOLLOW GEARCASE	1	333223	333224	333225	334507	334577
4	T2 HOLLOW BRG HOUSING	1	333285	333286	333287	334512	334582
5	QUILL CPLG ❖	1	-----	-----	-----	-----	-----
6	SOLID GEAR KEY	1	333670	333712	333717	334564	334624
7	DRIV-LOK KEY 56-140	1	333698	333698	333715	334557	-----
	DRIV-LOK KEY 180TC	1	333707	333707	333707	334558	334558
	DRIV-LOK KEY 210TC	1	-----	-----	333721	334559	334559
	DRIV-LOK KEY 250TC	1	-----	-----	-----	334560	334560
8	TIGEAR 2 LUBRICANT	1	334862	334862	334862	334862	334862
9	TIG2 HOLLW O/P SPACER	2	333738	333739	333740	334566	334626
10	SOCKET HEAD CAP SCREW	4	51492	51492	334374	334374	334374
11	BALL BRG.	1	334221	334222	334223	334224	334225
12	TIG2 SEAL, INPUT 56-140	1	334276	334276	334276	334276	334276
	TIG2 SEAL, INPUT 180-210	1	-----	-----	334279	334279	334279
13	O-RING, NITRILE	1	276355	276355	334302	334302	334302
14	TIGEAR 2 NAMEPLATE FIN	1	334305	334305	334305	334305	334305
15	MED LOCKWASHER	4	275803	275803	275855	275855	275855
16	MOTOR ADAPTER T2 56-140	1	333229	333229	334759	334759	-----
	MOTOR ADAPTER, 180-210TC	1	334681	334681	333231	333231	333231
	MOTOR ADPT PLATE 250TC (2)	1	-----	-----	-----	334570	334570
17-19	SHIM KIT	1	335332	335333	335333	335334	335335

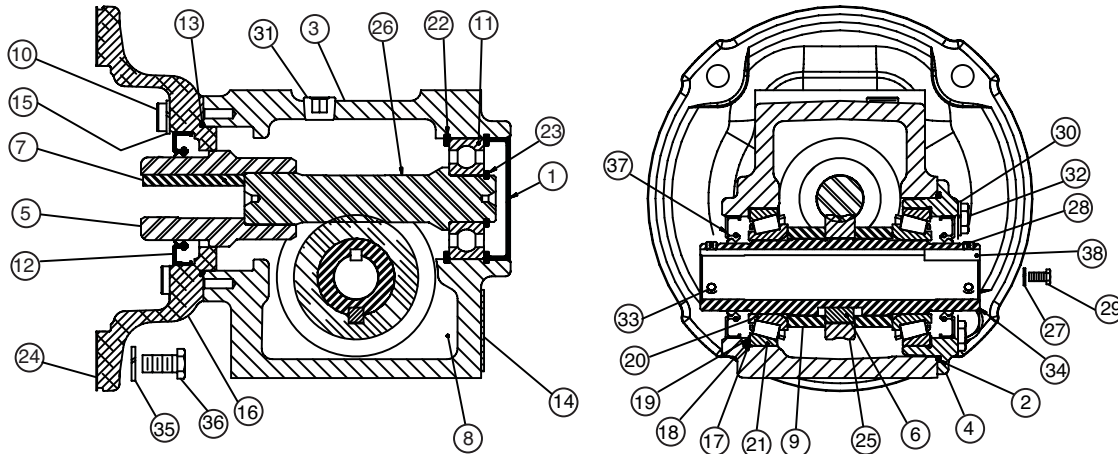
(2) Adapter plate bolts onto 180-210 adapter **333231**.

❖ Contact DODGE Renewal Parts

FEATURES/BENEFITS PAGE G4-2	SPECIFICATION PAGE G4-8	NOMENCLATURE PAGE G4-9	RATINGS/DIMENSIONS PAGE G4-16
--------------------------------	----------------------------	---------------------------	----------------------------------

RENEWAL PARTS

TIGEAR-2 With Quill Input / Hollow Output Sizes 26 - 47



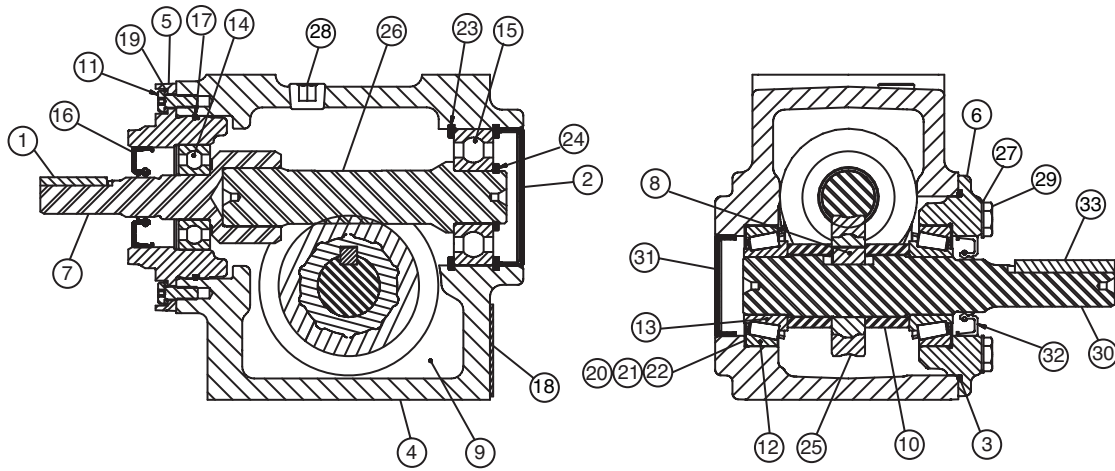
Ref No	Description	Qty	26	30	35	40	47
			Part Number	Part Number	Part Number	Part Number	Part Number
20-21	BEARIN CUP/CONE ASSEMBLY	2	411626-01-BJ	335341	335341	335342	335343
22	INTERNAL RET RING	2	278715	411637-02-AC	278717	51334	51335
23	EXTERNAL RET RING	1	411637-02-AP	411637-02-AR	411637-02-BA	334404	333933
24	56/140 M/A. GASKET	1	602028-43-F	602028-43-F	602028-43-F	602028-43-F	-----
	MOTOR ADPT GASKET 180-210-250 (3)	1	276335	276335	276335	276335	276335
25	TIG2 HOLLOW GEAR ❖	1	-----	-----	-----	-----	-----
26	TIG2 WORMSHAFT ❖	1	-----	-----	-----	-----	-----
27	MED LOCKWASHER	2	419009	419009	419009	419009	419009
28	SET SCREW	2	400140	400140	400140	400140	275953
29	HEX HEAD CAP SCREW	2	51302	053204	411396	411396	411402
30	MED LOCKWASHER	4	275803	275855	275855	419036	419036
31	PIPE PLUG 1/4" SOC.	2	411647-34-B	411647-34-B	411647-34-B	411647-34-B	411647-34-B
32	HEX HEAD CAP SCREW	4	51929	51952	51952	411483	411484
33	SET SCREW	4	275962	275954	275954	333805	333805
34	TIG2 HOLLOW O/P SHAFT	1	333634	333635	333636	334556	334621
35	LOCK WASHER 56-140	4	275803	275803	275803	275803	-----
	LOCK WASHER 180	4	-----	-----	-----	275853	275853
36	HEX HEAD CAP SCREW	4	51929	51929	51929	51929	-----
	SHCS MTR MOUNTING 180-210	4	411631-63-A	411631-63-A	411631-58-X	334896	334896
	SHCS MTR MOUNTING 250	4	-----	-----	-----	276446	276446
37	SEAL TIGEAR 2, OUTPUT"	2	334278	334279	334279	334280	334281
38	OUTPUT KEY	1	333687	333709	333709	334563	334623

❖ Contact DODGE Renewal Parts

FEATURES/BENEFITS PAGE G4-2	SPECIFICATION PAGE G4-8	NOMENCLATURE PAGE G4-9	RATINGS/DIMENSIONS PAGE G4-16
--------------------------------	----------------------------	---------------------------	----------------------------------

RENEWAL PARTS

TIGEAR-2 With Separate Input / Solid Output Sizes 13 - 23



Ref No	Description	Qty	13	15	17	20	23
			Part Number	Part Number	Part Number	Part Number	Part Number
1	INPUT KEY	1	333830	333830	333831	333831	333831
2	I/P RIBBED B/P	1	335603	335603	335600	335600	335601
3	O-RING	1	276019	276019	276134	276355	334307
4	TIG2 SOLID GEARCASE	1	333210	333211	333212	333213	333214
5	T2 I/P BRG CARRIER	1	333245	333245	333246	333246	333249
6	T2 SOLID BRG HSG	1	333265	333265	333266	333267	333268
7	TIG2 INPUT COUPLING	1	-----	-----	-----	-----	-----
8	SOLID GEAR KEY	1	333650	333661	333666	333671	333686
9	TIGEAR 2 LUBRICANT	1	334863	334863	334863	334863	334862
10	SOLID SPACER	2	333725	333726	333727	333728	333729
11	LHHCS PLAIN	2	333808	333808	333808	333808	333807
12-13	BEARING CUP/CONE ASSM	2	335337	335337	411626-01-C	411626-01-A	411626-01-A
14	BALL BEARING	1	334211	334211	334212	334212	334213
15	BALL BEARING	1	334218	334218	334219	334219	334220
16	TIG2 INPUT SEAL	1	334270	334270	334271	334271	334272
17	O-RING, NITRILE	1	334300	334300	334300	334300	334303
18	TIGEAR 2 NAMEPLATE	1	334305	334305	334305	334305	334305
19	MED LOCKWASHER	2	419007	419007	419007	419007	419009
20-22	SHIM KIT	1	411642-46-E	411642-46-E	411623-33-A	411623-33-B	411623-33-B
23	INTERNAL RET RING	2	411637-02-AV	411637-02-AV	58256	58256	411637-01-A
24	EXTERNAL RET RING	1	411637-02-E	411637-02-E	411637-02-AY	411637-02-AY	411637-02-N
25	SOLID GEAR ❄	1	-----	-----	-----	-----	-----
26	WORMSHAFT ❄	1	-----	-----	-----	-----	-----
27	PIPE PLUG 1/4" SOC. (1)	2	411647-34-B	411647-34-B	411647-34-B	411647-34-B	411647-34-B
28	MED LOCKWASHER	4	419009	419009	419010	419010	275803
29	HEX HEAD CAP SCREW	4	51302	51302	411405	411405	51929
30	O/P SHAFT, SINGLE EXTN	1	333604	333605	333606	333607	333608
31	O/P RIBBED BORE PLUG	1	333605	333605	335606	335608	335608
32	TIG2 SEAL, OUTPUT	1	334271	334271	334272	334273	334273
33	KEY, OUTPUT	1	333665	333660	333665	333827	333827

(1) Size 400 & 475 uses qty 1

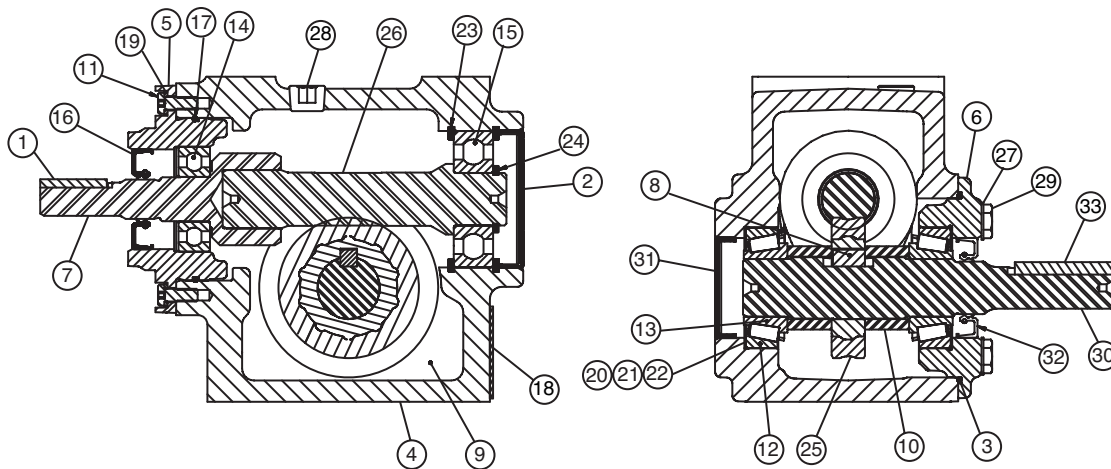
(2) Size 475 requires 266 oz. of lube. Order qty 2 (gal) **334862** & qty 1 (qt.) of **334863**.

❄ Contact DODGE Renewal Parts

FEATURES/BENEFITS PAGE G4-2	SPECIFICATION PAGE G4-8	NOMENCLATURE PAGE G4-9	RATINGS/DIMENSIONS PAGE G4-16
--------------------------------	----------------------------	---------------------------	----------------------------------

RENEWAL PARTS

TIGEAR-2 With Separate Input / Solid Output Sizes 26 - 47



Ref No	Description	Qty	26	30	35	40	47
			Part Number	Part Number	Part Number	Part Number	Part Number
1	INPUT KEY	1	333831	333831	333826	334561	334561
2	I/P RIBBED B/P	1	335609	335602	335604	335610	335613
3	O-RING	1	334302	334308	276358	334313	334315
4	TIG2 SOLID GEARCASE	1	333215	333216	333217	334506	334576
5	T2 I/P BRG CARRIER	1	333249	333250	333253	334508	334508
6	T2 SOLID BRG HSG	1	333269	333270	333271	334510	334580
7	TIG2 INPUT COUPLING ❖	1	-----	-----	-----	-----	-----
8	SOLID GEAR KEY	1	333696	333706	333775	334564	334624
9	TIGEAR 2 LUBRICANT	1	334862	334862	334862	334862	334862 (2)
10	SOLID SPACER	2	333730	333731	333732	334565	334625
11	LHHCS PLAIN	2	333807	333807	333807	333807	333807
12-13	BEARING CUP/CONE ASSM	2	411626-01-A	335338	411626-01-R	335340	335344
14	BALL BEARING	1	334213	334214	334215	334216	334216
15	BALL BEARING	1	334221	334222	334223	334224	334225
16	TIG2 INPUT SEAL	1	334272	334272	334272	334274	334274
17	O-RING, NITRILE	1	334303	334303	334314	334314	334314
18	TIGEAR 2 NAMEPLATE	1	334305	334305	334305	334305	334305
19	MED LOCKWASHER	2	419009	419009	419009	419009	419009
20-22	SHIM KIT	1	411623-33-B	335330	411623-33-C	335331	335336
23	INTERNAL RET RING	2	278715	411637-02-AC	278717	51334	51335
24	EXTERNAL RET RING	1	411637-02-AP	411637-02-AR	411637-02-BA	334404	333933
25	SOLID GEAR ❖	1	-----	-----	-----	-----	-----
26	WORMSHAFT❖	1	-----	-----	-----	-----	-----
27	PIPE PLUG 1/4" SOC. (1)	2	411647-34-B	411647-34-B	411647-34-B	411647-34-B	411647-34-B
28	MED LOCKWASHER	4	275803	275855	275855	419036	419036
29	HEX HEAD CAP SCREW	4	51929	51952	51952	411483	411484
30	O/P SHAFT, SINGLE EXTN	1	333609	333610	333611	334554	334619
31	O/P RIBBED BORE PLUG	1	335608	335607	335614	335611	335612
32	TIG2 SEAL, OUTPUT	1	334273	334274	334275	334277	334278
33	KEY, OUTPUT	1	333695	333705	333716	333829	333829

(1) Size 400 & 475 uses qty 1

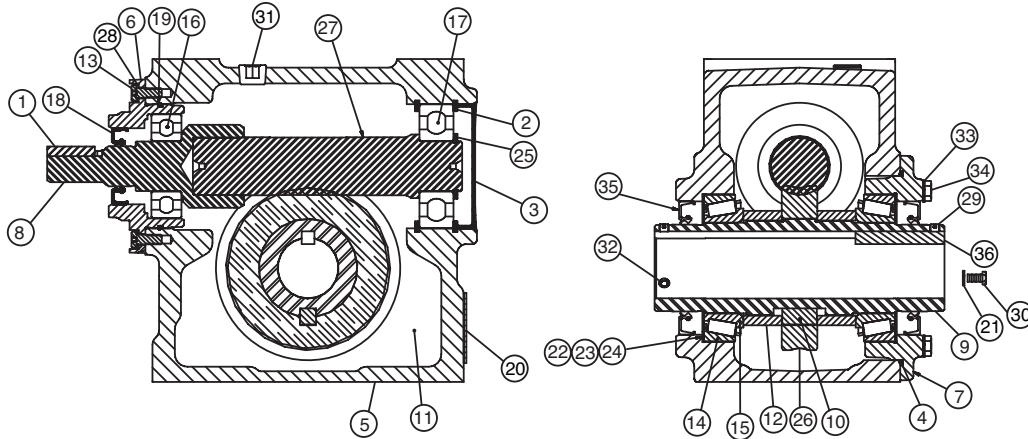
(2) Size 475 requires 266 oz. of lube. Order qty 2 (gal) **334862** & qty 1 (qt.) of **334863**.

❖ Contact DODGE Renewal Parts

FEATURES/BENEFITS PAGE G4-2	SPECIFICATION PAGE G4-8	NOMENCLATURE PAGE G4-9	RATINGS/DIMENSIONS PAGE G4-16
--------------------------------	----------------------------	---------------------------	----------------------------------

RENEWAL PARTS

TIGEAR-2 With Separate Input / Hollow Output Sizes 13 - 23



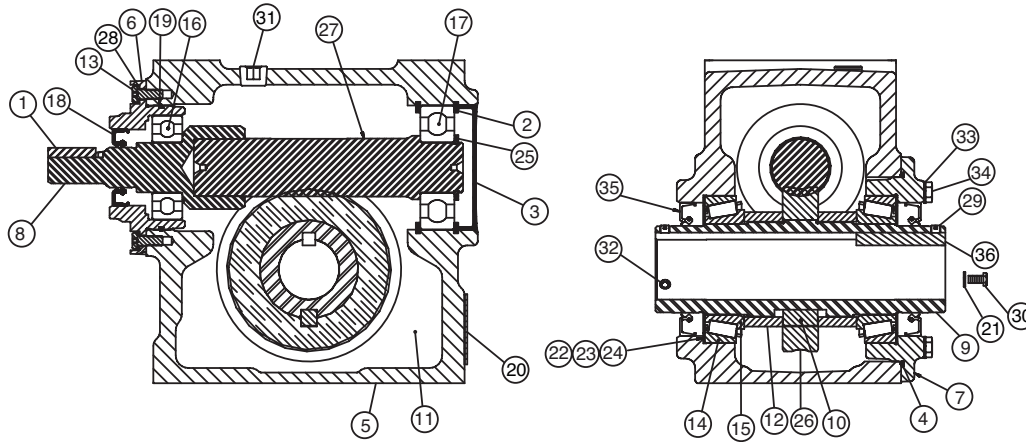
Ref No	Description	Qty	13	15	17	20	23
			Part Number	Part Number	Part Number	Part Number	Part Number
1	INPUT KEY	1	333830	333830	333831	333831	333831
2	INTERNAL RET RING	2	411637-02-AV	411637-02-AV	58256	58256	411637-01-A
3	1/2 RIBBED BORE PLUG	1	335603	335603	335600	335600	335601
4	O-RING	1	276019	276019	276134	276355	334307
5	TIG2 HOLLOW GEARCASE	1	333218	333219	333220	333221	333222
6	T2 I/P BRG CARRIER	1	333245	333245	333246	333246	333249
7	T2 HOLLOW BRG HOUSING	1	333281	333281	333282	333283	333284
8	TIG2 SEP INPUT CPLG ❖	1	-----	-----	-----	-----	-----
9	HOLLOW OUTPUT SHAFT	1	333629	333629	333631	334789	333633
10	H/O GEAR KEY	1	333650	333650	333666	333671	333686
11	TIGEAR 2 LUBRICANT	1	334863	334863	334863	334863	334863
12	HOLLOW O/P SPACER	2	333733	333734	333735	333736	333737
13	LHHCS PLAIN	2	333808	333808	333808	333808	333807
14-15	BEARING CUP/CONE ASSM	2	411626-01-A	411626-01-A	335338	335339	335340
16	BALL BEARING	1	334211	334211	334212	334212	334213
17	BALL BEARING.	1	334218	334218	334219	334219	334220
18	INPUT SEAL	1	334270	334270	334271	334271	334272
19	O-RING, NITRILE	1	334300	334300	334300	334300	334303
20	TIGEAR 2 NAMEPLATE	1	334305	334305	334305	334305	334305
21	MED LOCKWASHER	2	419007	419007	419007	419007	419009
22-24	SHIM KIT	1	411623-33-B	411623-33-B	335330	411623-33-C	335331
25	EXTERNAL RET RING	1	411637-02-E	411637-02-E	411637-02-AV	411637-02-AV	411637-02-N
26	TIG2 WORMSHAFT ❖	1	-----	-----	-----	-----	-----
27	TIG2 HOLLOW GEAR ❖	1	-----	-----	-----	-----	-----
28	MED LOCKWASHER	2	419007	419007	419007	419007	419009
29	SET SCREW	2	400140	400140	400140	400140	400140
30	HEX HEAD CAP SCREW	2	58270	58270	333800	333800	51302
31	PIPE PLUG 1/4" SOC.	2	411647-34-B	411647-34-B	411647-34-B	411647-34-B	411647-34-B
32	SET SCREW	4	275953	275953	275953	275953	275953
33	MED LOCKWASHER	4	419009	419009	419010	419010	275803
34	HEX HEAD CAP SCREW	4	51302	51302	411405	411405	51929
35	OUTPUT SEAL T2	2	334273	334273	334274	334276	334277
36	OUTPUT KEY	1	333831	333831	333827	333827	333687

❖ Contact DODGE Renewal Parts

FEATURES/BENEFITS PAGE G4-2	SPECIFICATION PAGE G4-8	NOMENCLATURE PAGE G4-9	RATINGS/DIMENSIONS PAGE G4-16
--------------------------------	----------------------------	---------------------------	----------------------------------

RENEWAL PARTS

TIGEAR-2 With Separate Input / Hollow Output Sizes 26 - 47



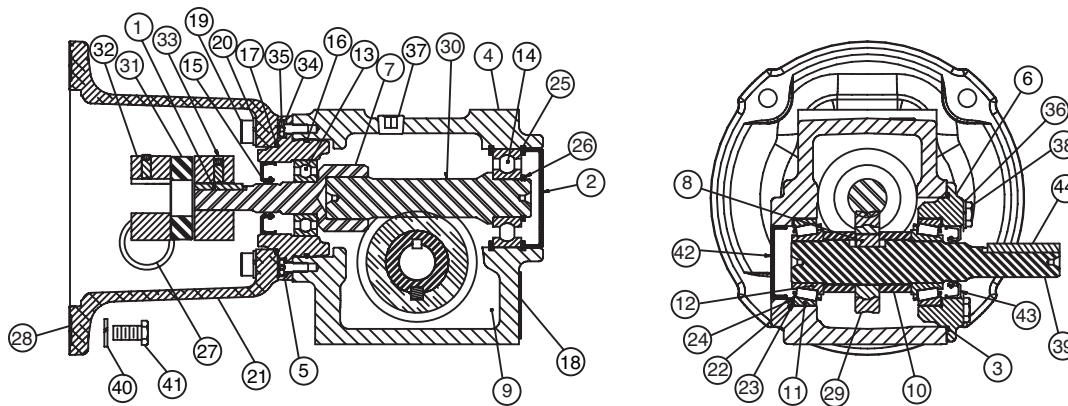
Ref No	Description	Qty	26	30	35	40	47
			Part Number	Part Number	Part Number	Part Number	Part Number
1	INPUT KEY	1	333831	333831	333826	334561	334561
2	INTERNAL RET RING	2	278715	411637-02-AC	278717	51334	51335
3	I/P RIBBED BORE PLUG	1	335609	335602	335604	335610	335613
4	O-RING	1	334302	334308	276358	334313	334315
5	TIG2 HOLLOW GEARCASE	1	333223	333224	333225	334507	334577
6	T2 I/P BRG CARRIER	1	333249	333250	333253	334508	334508
7	T2 HOLLOW BRG HOUSING	1	333285	333286	333287	334512	334582
8	TIG2 SEP INPUT CPLG ❖	1	-----	-----	-----	-----	-----
9	HOLLOW OUTPUT SHAFT	1	333634	333635	333636	334556	334621
10	H/O GEAR KEY	1	333670	333712	333717	334564	334624
11	TIGEAR 2 LUBRICANT	1	334862	334862	334862	334862	334862
12	HOLLOW O/P SPACER	2	333738	333739	333740	334566	334626
13	LHHCS PLAIN	2	333807	333807	333807	333807	333807
14-15	BEARING CUP/CONE ASSM	2	411626-01-BJ	335341	335341	335342	335343
16	BALL BEARING	1	334213	334214	334215	334216	334216
17	BALL BEARING.	1	334221	334222	334223	334224	334225
18	INPUT SEAL	1	334272	334272	334272	334274	334274
19	O-RING, NITRILE	1	334303	334303	334314	334314	334314
20	TIGEAR 2 NAMEPLATE	1	334305	334305	334305	334305	334305
21	MED LOCKWASHER	2	419009	419009	419009	419009	419009
22-24	SHIM KIT	1	335332	335333	335333	335334	335335
25	EXTERNAL RET RING	1	411637-02-AP	411637-02-AR	411637-02-BA	334404	333933
26	TIG2 WORMSHAFT ❖	1	-----	-----	-----	-----	-----
27	TIG2 HOLLOW GEAR ❖	1	-----	-----	-----	-----	-----
28	MED LOCKWASHER	2	419009	419009	419009	419009	419009
29	SET SCREW	2	400140	400140	400140	400140	275953
30	HEX HEAD CAP SCREW	2	51302	053204	411396	411396	411402
31	PIPE PLUG 1/4" SOC.	2	411647-34-B	411647-34-B	411647-34-B	411647-34-B	411647-34-B
32	SET SCREW	4	275962	275954	275954	333805	333805
33	MED LOCKWASHER	4	275803	275855	275855	419036	419036
34	HEX HEAD CAP SCREW	4	51929	51952	51952	411483	411483
35	OUTPUT SEAL T2	2	334278	334279	334279	334280	334281
36	OUTPUT KEY	1	333687	333709	333709	334563	334623

❖ Contact DODGE Renewal Parts

FEATURES/BENEFITS PAGE G4-2	SPECIFICATION PAGE G4-8	NOMENCLATURE PAGE G4-9	RATINGS/DIMENSIONS PAGE G4-16
--------------------------------	----------------------------	---------------------------	----------------------------------

RENEWAL PARTS

TIGEAR-2 With 3-Piece Coupled Input / Solid Output Sizes 13 - 23



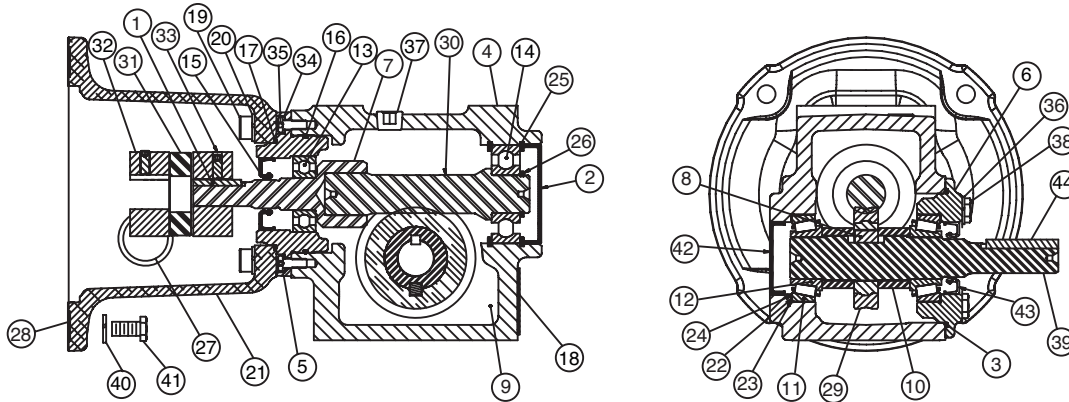
Ref No	Description	Qty	13	15	17	20	23
			Part Number	Part Number	Part Number	Part Number	Part Number
1	INPUT KEY	1	333831	333831	333831	333831	333831
2	INPUT BORE PLUG	1	335603	335603	335600	335600	335601
3	O-RING	1	276019	276019	276134	276355	334307
4	TIG2 SOLID GEARCASE	1	333210	333211	333212	333213	333214
5	T2 INPUT BRG CARRIER	1	333245	333245	333246	333246	333249
6	T2 SOLID BRG HSG	1	333265	333265	333266	333267	333268
7	TIG2 INPUT CPLG ❖	1	-----	-----	-----	-----	-----
8	SOLID GEAR KEY	1	333650	333661	333666	333671	333686
9	TIGEAR 2 LUBRICANT	7	334863	334863	334863	334863	334862
10	SOLID SPACER	2	333725	333726	333727	333728	333729
11-12	BEARING CUP/CONE ASSEMBLY	2	335337	335337	411626-01-C	411626-01-A	411626-01-A
13	BALL BRG. C3 CLRNC	1	334211	334211	334212	334212	334213
14	BALL BRG. C3 CLRNC	1	334218	334218	334219	334219	334220
15	TIG2 SEAL, INPUT	1	334270	hh	334271	334271	334272
16	O-RING, NITRILE	1	334300	334300	334300	334300	334303
17	O-RING, NITRILE	1	334304	334304	334304	334304	276355
18	NAMEPLATE T2	1	334305	334305	334305	334305	334305
19	CAP SCREW 56-140	4	417371	417371	417371	417371	417111
	SOCKET HEAD CAP SCR 180-210	1	-----	-----	-----	-----	-----
20	MED LOCKWASHER	4	419010	419010	419010	419010	275803
21	MOTOR ADAPTER 56-140	1	333236	333236	333236	333236	333237
	MOTOR ADAPTER	1	-----	-----	-----	-----	334683
22-24	SHIM KIT	1	411642-46-E	411642-46-E	411623-33-A	411623-33-B	411623-33-B
25	INT RING	2	411637-02-AV	411637-02-AV	58256	58256	411637-01-A
26	EXT RING	1	411637-02-E	411637-02-E	411637-02-AY	411637-02-AY	411637-02-N
27	DUST CAP 1" HOLE	1	411709-65-H	411709-65-H	411709-65-H	411709-65-H	411709-65-H
28	56/140 MTR ADPT GASKET	1	602028-43-F	602028-43-F	602028-43-F	602028-43-F	602028-43-F
	MOTOR ADPT GASKET 180-210	1	-----	-----	-----	-----	276335

❖ Contact DODGE Renewal Parts

FEATURES/BENEFITS PAGE G4-2	SPECIFICATION PAGE G4-8	NOMENCLATURE PAGE G4-9	RATINGS/DIMENSIONS PAGE G4-16
--------------------------------	----------------------------	---------------------------	----------------------------------

RENEWAL PARTS

TIGEAR-2 With 3-Piece Coupled Input / Solid Output Sizes 13 - 23



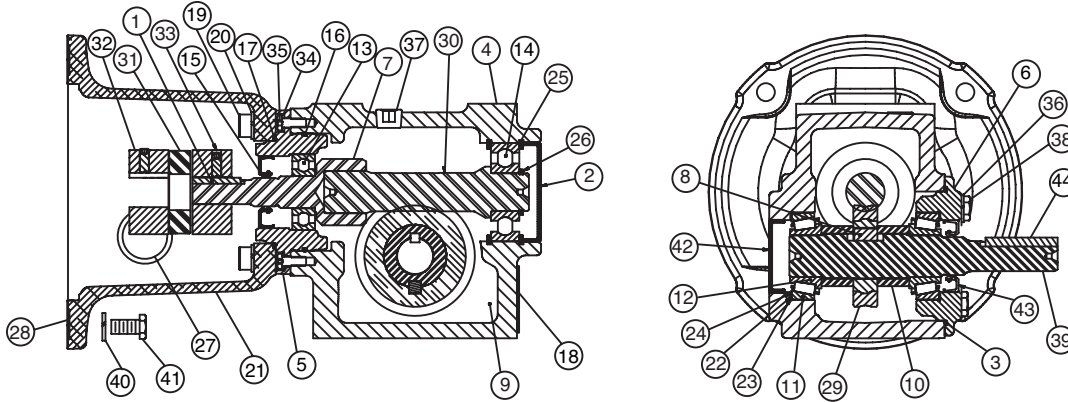
Ref No	Description	Qty	13	15	17	20	23
			Part Number	Part Number	Part Number	Part Number	Part Number
29	TIG2 SOLID GEAR ❖	1	-----	-----	-----	-----	-----
30	TIG2 WORMSHAFT ❖	1	-----	-----	-----	-----	-----
31	COUPLING SPIDER 56 MTR	1	278911	278911	278911	278911	278911
	COUPLING SPIDER 140 MTR	1	-----	-----	278912	278912	278912
	COUPLING SPIDER 180 MTR	1	-----	-----	-----	-----	275794
32	5/8 COUPLING, 56 MOTOR	1	278900	278900	278900	278900	278900
	7/8 COUPLING, 140 MOTOR	1	-----	-----	276169	276169	276169
	1-1/8 COUPLING, 180 MOTOR	1	-----	-----	-----	-----	278907
33	COUPLING HUB, REDUCER 56	1	334309	334309	278900	278900	278901
	COUPLING HUB, REDUCER 140	1	-----	-----	334306	334306	276169
	COUPLING HUB, REDUCER 180	1	-----	-----	-----	-----	275806
34	MED LOCKWASHER	2	419007	419007	419007	419007	419009
35	LHHCS PLAIN	2	333808	333808	333808	333808	333807
36	MED LOCKWASHER	4	419009	419009	419010	419010	275803
37	"PIPE PLUG 1/4" SOC.	2	411647-34-B	411647-34-B	411647-34-B	411647-34-B	411647-34-B
38	HEX HEAD CAP SCREW	4	51302	51302	411405	411405	51929
39	T2 SGL SOLID OUTPUT SHAFT	1	333604	333605	333606	333607	333608
	LOCK WASHER 56-140	4	275803	275803	275803	275803	275803
41	3/8-16 X 1 HHCS PLN ZC 56-140	4	51929	51929	51929	51929	51929
	SOC HD CAP SCREW 180	4	-----	-----	-----	-----	411631-63-A
42	OUTPUT BORE PLUG	1	335605	335605	335606	335608	335608
43	TIG2 SEAL, OUTPUT	1	334271	334271	334272	334273	334273
44	KEY, OUTPUT SHAFT	1	333665	333660	333665	333827	333685

❖ Contact DODGE Renewal Parts

FEATURES/BENEFITS PAGE G4-2	SPECIFICATION PAGE G4-8	NOMENCLATURE PAGE G4-9	RATINGS/DIMENSIONS PAGE G4-16
--------------------------------	----------------------------	---------------------------	----------------------------------

RENEWAL PARTS

TIGEAR-2 With 3-Piece Coupled Input / Solid Output Sizes 26 - 47



Ref No	Description	Qty	26	30	35	40	47
			Part Number	Part Number	Part Number	Part Number	Part Number
1	INPUT KEY	1	333831	333831	333826	334561	334561
2	INPUT BORE PLUG	1	335609	335602	335604	335610	335613
3	O-RING	1	334302	334308	276358	334313	334315
4	TIG2 SOLID GEARCASE	1	333215	333216	333217	334506	334576
5	T2 INPUT BRG CARRIER	1	333249	333250	333253	334508	334508
6	T2 SOLID BRG HSG	1	333269	333270	333271	334510	334580
7	TIG2 INPUT CPLG ❖	1	-----	-----	-----	-----	-----
8	SOLID GEAR KEY	1	333696	333706	333775	334564	334624
9	TIGEAR 2 LUBRICANT	7	334862	334862	334862	334862	334862
10	SOLID SPACER	2	333730	333731	333732	334565	334625
11-12	BEARING CUP/CONE ASSEMBLY	2	411626-01-A	335338	411626-01-R	335340	335344
13	BALL BRG. C3 CLRNC	1	334213	334214	334215	334216	334216
14	BALL BRG. C3 CLRNC	1	334221	334222	334223	334224	334225
15	TIG2 SEAL, INPUT	1	334272	334272	334272	334274	334274
16	O-RING, NITRILE	1	334303	334303	334314	334314	334314
17	O-RING, NITRILE	1	276355	276355	276355	276355	276355
18	NAMEPLATE T2	1	334305	334305	334305	334305	334305
19	CAP SCREW 56-140	4	417111	417111	334895	-----	-----
	SOCKET HEAD CAP SCR 180-210	1	-----	-----	334373	334373	334373
20	MED LOCKWASHER	4	275803	275803	275855	333783	333783
21	MOTOR ADAPTER 56-140	1	333237	333237	334757	-----	-----
	MOTOR ADAPTER 180	1	334683	334683	333239	333239	333239
	MOTOR ADPT PLT-BOLT ON 210 (2)	1	-----	-----	334571	334571	334571
	MOTOR ADPT PLT-BOLT ON 250 (2)	1	-----	-----	-----	334570	334570
22-24	SHIM KIT	1	411623-33-B	335330	411623-33-C	335331	335336
25	INT RING	2	278715	411637-02-AC	278717	51334	51335
26	EXT RING	1	411637-02-AP	411637-02-AR	411637-02-BA	334404	333933
27	DUST CAP 1" HOLE	1	411709-65-H	411709-65-H	411709-65-H	411709-65-H	411709-65-H
28	56/140 MTR ADPT GASKET	1	602028-43-F	602028-43-F	602028-43-F	-----	-----
	MOTOR ADPT GASKET 180-210	1	276335	276335	276335	276335	276335

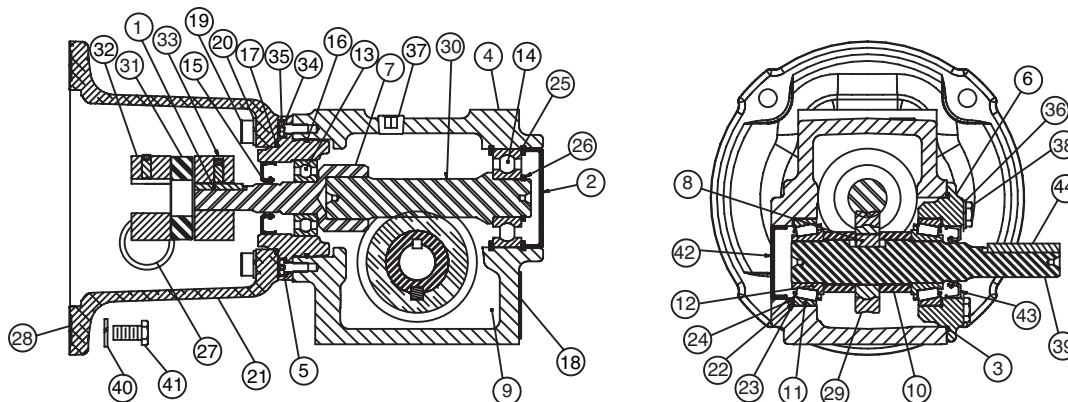
(2) Adapter plate bolts onto 180 adapter **334683**.

❖ Contact DODGE Renewal Parts

FEATURES/BENEFITS PAGE G4-2	SPECIFICATION PAGE G4-8	NOMENCLATURE PAGE G4-9	RATINGS/DIMENSIONS PAGE G4-16
--------------------------------	----------------------------	---------------------------	----------------------------------

RENEWAL PARTS

TIGEAR-2 With 3-Piece Coupled Input / Solid Output Sizes 26 - 47



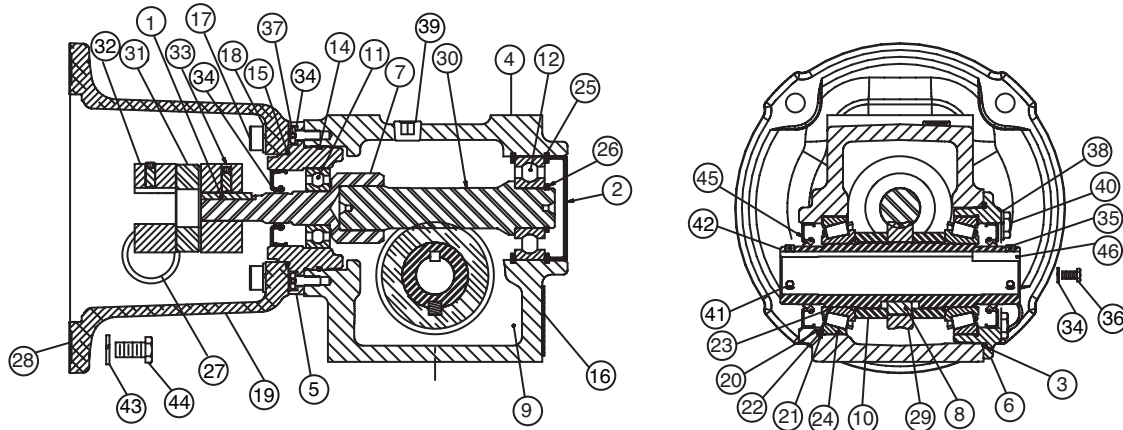
Ref No	Description	Qty	26	30	35	40	47
			Part Number	Part Number	Part Number	Part Number	Part Number
29	TIG2 SOLID GEAR ❖	1	----	----	----	----	----
30	TIG2 WORMSHAFT ❖	1	----	----	----	----	----
31	COUPLING SPIDER 56 MTR	1	278911	278911	278912	----	----
	COUPLING SPIDER 140 MTR	1	278912	278912	278912	----	----
	COUPLING SPIDER 180 MTR	1	275794	275794	275794	275794	275794
	COUPLING SPIDER 210-250 MTR	1	----	----	334291	334291	334291
32	5/8 COUPLING, 56 MOTOR	1	278900	278900	334292	----	----
	7/8 COUPLING, 140 MOTOR	1	276169	276169	276169	----	----
	1-1/8 COUPLING, 180 MOTOR	1	278907	278907	278907	278907	278907
	1-3/8 COUPLING, 210 MOTOR	1	----	----	334286	334286	334286
	1-3/8 COUPLING, 250 MOTOR	1	----	----	----	334288	334288
33	COUPLING HUB, REDUCER 56	1	278901	278901	276169	----	----
	COUPLING HUB, REDUCER 140	1	276169	276169	276169	----	----
	COUPLING HUB, REDUCER 180	1	275806	275806	275806	278907	278907
	COUPLING HUB, REDUCER 210-250	1	----	----	334285	334290	334290
34	MED LOCKWASHER	2	419009	419009	419009	419009	419009
35	LHCS PLAIN	2	333807	333807	333807	333807	333807
36	MED LOCKWASHER	4	275803	275855	275855	419036	419036
37	PIPE PLUG 1/4" SOC.	2	411647-34-B	411647-34-B	411647-34-B	411647-34-B	411647-34-B
38	HEX HEAD CAP SCREW	4	51929	51952	51952	411483	411484
39	T2 SGL SOLID OUTPUT SHAFT	1	333609	333610	333611	334554	334619
40	LOCK WASHER 56-140	4	275803	275803	275803	----	----
	LOCK WASHER 210-250	4	----	----	275853	275853	275853
41	3/8-16 X 1 HHCS PLN ZC 56-140	4	51929	51929	51929	----	----
	SOC HD CAP SCREW 180	4	41163158X	41163158X	334900	334900	334900
	HEX HD CAP SCREW 210	4	----	----	334902	334902	334902
	HEX HD CAP SCREW 250	4	----	----	----	334901	334901
42	OUTPUT BORE PLUG	1	335608	335607	335614	335611	335612
43	TIG2 SEAL, OUTPUT	1	334273	334274	334275	334277	334278
44	KEY, OUTPUT SHAFT	1	333695	333705	333716	333829	333829

❖ Contact DODGE Renewal Parts

FEATURES/BENEFITS PAGE G4-2	SPECIFICATION PAGE G4-8	NOMENCLATURE PAGE G4-9	RATINGS/DIMENSIONS PAGE G4-16
--------------------------------	----------------------------	---------------------------	----------------------------------

RENEWAL PARTS

TIGEAR-2 With 3-Piece Coupled Input / Hollow Output Sizes 13 - 23



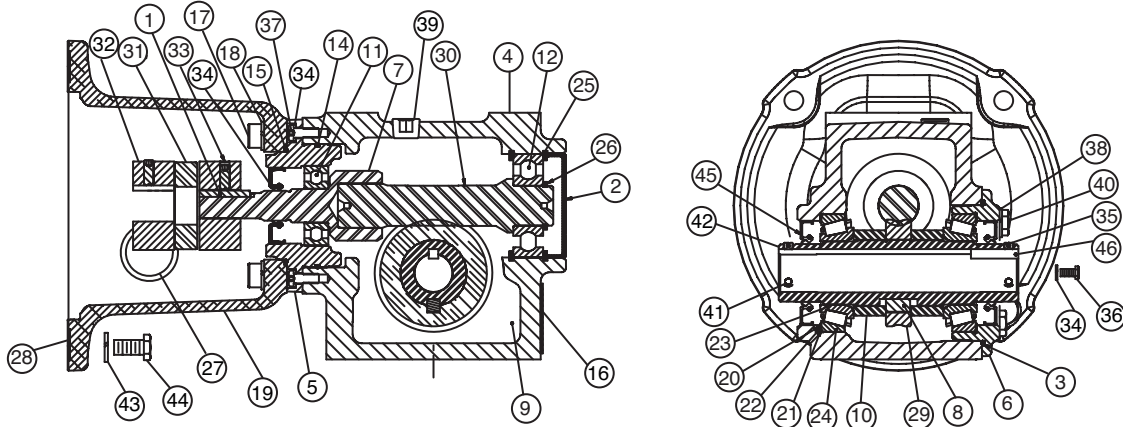
Ref No	Description	Qty	13	15	17	20	23
			Part Number	Part Number	Part Number	Part Number	Part Number
1	INPUT KEY	1	333830	333830	333831	333831	333831
2	INPUT BORE PLUG	1	335603	335603	335600	335600	335601
3	O-RING	1	276019	276019	276134	276355	334307
4	TIG2 HOLLOW GEARCASE	1	333218	333219	333220	333221	333222
5	T2 I/P BRG CARRIER	1	333245	333245	333246	333246	333249
6	T2 HOLLOW BRG HOUSING	1	333281	333281	333282	333283	333284
7	TIG2 SEP INPUT CPLG ❖	1	-----	-----	-----	-----	-----
8	GEAR KEY	1	333650	333650	333666	333671	333686
9	TIGEAR 2 LUBRICANT	1	334863	334863	334863	334863	334863
10	TIG2 HOLLW O/P SPACER	2	333733	333734	333735	333736	333737
11	BALL BEARING	1	334211	334211	334212	334212	334213
12	BALL BEARING	1	334218	334218	334219	334219	334220
13	TIG2 SEAL, INPUT	1	334270	334270	334271	334271	334272
14	O-RING, NITRILE	1	334300	334300	334300	334300	334303
15	O-RING, NITRILE	1	334304	334304	334304	334304	276355
16	NAMEPLATE T2	1	334305	334305	334305	334305	334305
17	CAD PLTD SCREW 56-140	4	417371	417371	417371	417371	417111
	CAD PLTD SCREW 180-210-250	4	-----	-----	-----	-----	-----
18	MED LOCKWASHER	4	419010	419010	419010	419010	275803
19	T2 ADPT. M. ADPTR 56-140	1	333236	333236	333236	333236	333237
	MOTOR ADAPTER 180	1	-----	-----	-----	-----	334683
20-22	SHIM KIT	1	411623-33-B	411623-33-B	335330	411623-33-C	335331
23-24	BEARING CUP/CONE ASSEMBLY	2	411626-01-A	411626-01-A	335338	335339	335340
25	INT RING	2	411637-02-AV	411637-02-AV	58256	58256	411637-01-A
26	EXT RING	1	411637-02-E	411637-02-E	411637-02-AY	411637-02-AY	411637-02-N
27	DUST CAP 1" HOLE	1	411709-65-Q	411709-65-Q	411709-65-Q	411709-65-Q	411709-65-Q
28	56/140 M/A. GASKET	1	602028-43-F	602028-43-F	602028-43-F	602028-43-F	602028-43-F
	MOTOR GASKET 180-210	1	-----	-----	-----	-----	276335
29	TIG2 HOLLOW GEAR ❖	1	-----	-----	-----	-----	-----
30	TIG2 WORMSHAFT ❖	1	-----	-----	-----	-----	-----

❖ Contact DODGE Renewal Parts

FEATURES/BENEFITS PAGE G4-2	SPECIFICATION PAGE G4-8	NOMENCLATURE PAGE G4-9	RATINGS/DIMENSIONS PAGE G4-16
--------------------------------	----------------------------	---------------------------	----------------------------------

RENEWAL PARTS

TIGEAR-2 With 3-Piece Coupled Input / Hollow Output Sizes 13 - 23

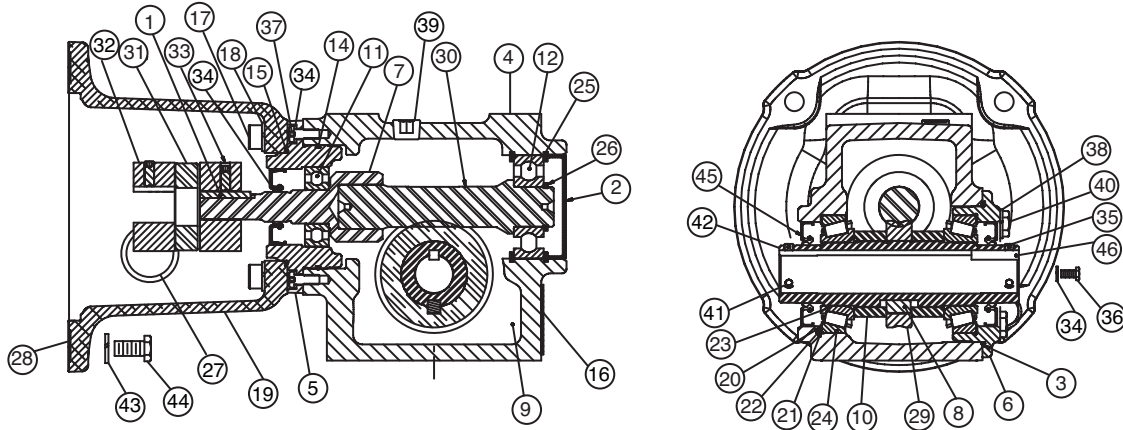


Ref No	Description	Qty	13	15	17	20	23
			Part Number	Part Number	Part Number	Part Number	Part Number
31	SPIDER 56C	1	278911	278911	278911	278911	278911
	SPIDER 140TC	1	335603	335603	335600	335600	335601
	SPIDER 180TC	1	-----	-----	-----	-----	275794
32	5/8 COUPLING HUB-MOTOR 56C	1	278900	278900	278900	278900	278900
	7/8 COUPLING HUB-MOTOR 140TC	1	-----	-----	276169	276169	276169
	1-1/8 COUPLING HUB-MTR 180TC	1	-----	-----	-----	-----	278907
33	COUPLING - REDUCER 56C	1	334309	334309	278900	278900	278901
	COUPLING - REDUCER 140TC	1	-----	-----	334306	334306	276169
	COUPLING - REDUCER 180TC	1	-----	-----	-----	-----	275806
34	MED LOCKWASHER	4	419007	419007	419007	419007	419009
35	SET SCREW	2	400140	400140	400140	400140	400140
36	HHCS GR5 ZC	2	58270	58270	333800	333800	51302
37	LHHCS PLAIN	2	333808	333808	333808	333808	333807
38	MED LOCKWASHER	4	419009	419009	419010	419010	275803
39	"PIPE PLUG 1/4" SOC.	2	411647-34-B	411647-34-B	411647-34-B	411647-34-B	411647-34-B
40	HEX HEAD CAP SCREW	4	51302	51302	411405	411405	51929
41	SET SCREW	4	275953	275953	275953	275953	275953
42	HOLLOW OUTPUT SHAFT	1	333629	333629	333631	334789	333633
43	LOCK WASHER 56-140	4	275803	275803	275803	275803	275803
44	3/8-16 X 1 HHCS PLN ZC 56-140	4	51929	51929	51929	51929	51929
	SOCKET HEAD CAP SCR 180	4	-----	-----	-----	-----	41163158X
45	SEAL TIGEAR 2, OUTPUT	2	334273	334273	334274	334276	334277
46	OUTPUT KEY	2	333831	333831	334897	333827	333687

FEATURES/BENEFITS PAGE G4-2	SPECIFICATION PAGE G4-8	NOMENCLATURE PAGE G4-9	RATINGS/DIMENSIONS PAGE G4-16
--------------------------------	----------------------------	---------------------------	----------------------------------

RENEWAL PARTS

TIGEAR-2 With 3-Piece Coupled Input / Hollow Output Sizes 26 - 47



Ref No	Description	Qty	26	30	35	40	47
			Part Number	Part Number	Part Number	Part Number	Part Number
1	INPUT KEY	1	333831	333831	333826	334561	334561
2	INPUT BORE PLUG	1	335609	335602	335604	335610	335613
3	O-RING	1	334302	334308	276358	334313	334315
4	TIG2 HOLLOW GEARCASE	1	333223	333224	333225	334507	334577
5	T2 I/P BRG CARRIER	1	333249	333250	333253	334508	334508
6	T2 HOLLOW BRG HOUSING	1	333285	333286	333287	334512	334582
7	TIG2 SEP INPUT CPLG ❖	1	-----	-----	-----	-----	-----
8	GEAR KEY	1	333670	333712	333717	334564	334624
9	TIGEAR 2 LUBRICANT	1	334862	334862	334862	334862	334862
10	TIG2 HOLLW O/P SPACER	2	333738	333739	333740	334566	334626
11	BALL BEARING	1	334213	334214	334215	334216	334216
12	BALL BEARING	1	334221	334222	334223	334224	334225
13	TIG2 SEAL, INPUT	1	334272	334272	334272	334274	334274
14	O-RING, NITRILE	1	334303	334303	334314	334314	334314
15	O-RING, NITRILE	1	276355	276355	276355	276355	276355
16	NAMEPLATE T2	1	334305	334305	334305	334305	334305
17	CAD PLTD SCREW 56-140	4	417111	417111	334895	-----	-----
	CAD PLTD SCREW 180-210-250	4	-----	-----	334373	334373	334373
18	MED LOCKWASHER	4	275803	275803	275855	333783	333783
19	T2 ADPT. M. ADPTR 56-140	1	333237	333237	334757	-----	-----
	MOTOR ADPT PLT 180	1	334683	334683	333239	333239	333239
	MTR ADPT PLT-BOLT ON 210 (2)	1	-----	-----	334571	334571	334571
	MTR ADPT PLT-BOLT ON 250 (2)	1	-----	-----	-----	334570	334570
20-22	SHIM KIT	1	335332	335333	335333	335334	335335
23-24	BEARING CUP/CONE ASSEMBLY	2	41162601BJ	335341	335341	335342	335343
25	INT RING	2	278715	411637-02-AC	278717	51334	51335
26	EXT RING	1	411637-02-AP	411637-02-AR	411637-02-BA	334404	333933
27	DUST CAP 1" HOLE	1	411709-65-Q	411709-65-Q	411709-65-Q	411709-65-Q	411709-65-Q
28	56/140 M/A. GASKET	1	602028-43-F	602028-43-F	602028-43-F	-----	-----
	MOTOR GASKET 180-210	1	276335	276335	276335	276335	276335
29	TIG2 HOLLOW GEAR ❖	1	-----	-----	-----	-----	-----
30	TIG2 WORMSHAFT ❖	1	-----	-----	-----	-----	-----

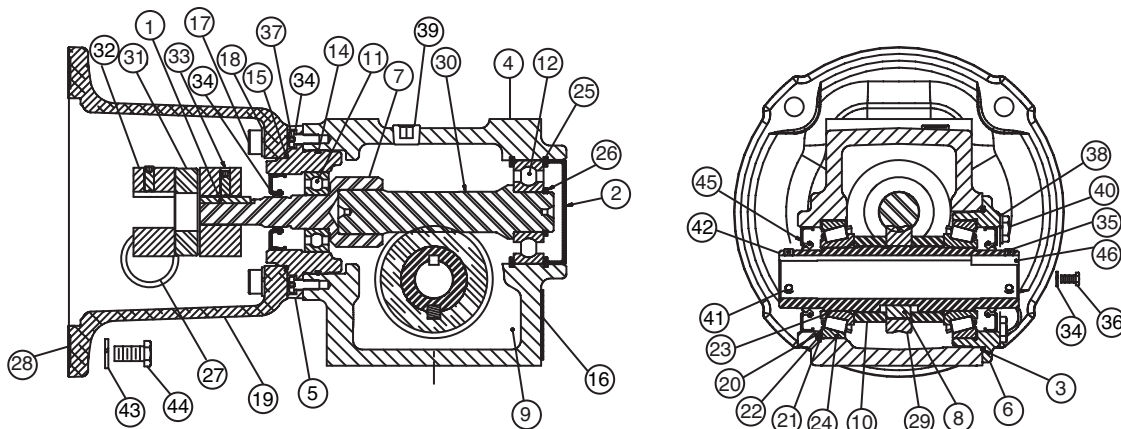
(2) Adpt plate bolts onto 180 adpt **333239**.

❖ Contact DODGE Renewal Parts

FEATURES/BENEFITS PAGE G4-2	SPECIFICATION PAGE G4-8	NOMENCLATURE PAGE G4-9	RATINGS/DIMENSIONS PAGE G4-16
--------------------------------	----------------------------	---------------------------	----------------------------------

RENEWAL PARTS

TIGEAR-2 With 3-Piece Coupled Input / Hollow Output Sizes 26 - 47



Ref No	Description	Qty	26	30	35	40	47
			Part Number	Part Number	Part Number	Part Number	Part Number
31	SPIDER 56C	1	278911	278911	-----	-----	-----
	SPIDER 140TC	1	278912	278912	278912	278907	-----
	SPIDER 180TC	1	275794	275794	275794	275794	275794
	SPIDER 210-250	1	-----	-----	334291	334291	334291
32	5/8 COUPLING HUB-MOTOR 56C	1	278900	278900	-----	-----	-----
	7/8 COUPLING HUB-MOTOR 140TC	1	276169	276169	276169	-----	-----
	1-1/8 COUPLING HUB-MTR 180TC	1	278907	278907	278907	278907	278907
	1-3/8 COUPLING HUB-MTR 210TC	1	-----	-----	334286	334286	334286
	1-5/8 COUPLING HUB-MTR 250TC	1	-----	-----	-----	334288	334288
33	COUPLING - REDUCER 56C	1	278901	278901	-----	-----	-----
	COUPLING - REDUCER 140TC	1	276169	276169	276169	-----	-----
	COUPLING - REDUCER 180TC	1	275806	275806	275806	278907	278907
	COUPLING - REDUCER 210-250	1	-----	-----	334285	334290	334290
34	MED LOCKWASHER	4	419009	419009	419009	419009	419009
35	SET SCREW	2	400140	400140	400140	400140	275953
36	HHCS GR5 ZC	2	51302	053204	411396	411396	411402
37	LHCS PLAIN	2	333807	333807	333807	333807	333807
38	MED LOCKWASHER	4	275803	275855	275855	419036	419036
39	PIPE PLUG 1/4" SOC.	2	411631-58-X	411647-34-B	334900	334900	334900
40	HEX HEAD CAP SCREW	4	51929	51952	51952	411483	411484
41	SET SCREW	4	275962	275954	275954	333805	333805
42	HOLLOW OUTPUT SHAFT	1	333634	333635	333636	334556	334621
43	LOCK WASHER 56-140	4	275803	275803	275803	-----	-----
	LOCK WASHER 210	4	-----	-----	275853	275853	275853
	LOCK WASHER 250	4	-----	-----	-----	275853	275853
44	3/8-16 X 1 HHCS PLN ZC 56-140	4	51929	51929	51929	-----	-----
	SOCKET HEAD CAP SCR 180	4	41163158X	41163158X	334900	334900	334900
	HEX HD CAP SCREW 210	4	-----	-----	334902	334902	334902
	HEX HD CAP SCREW 250	4	-----	-----	-----	334901	334901
45	SEAL TIGEAR 2, OUTPUT	2	334278	334279	334279	334280	334281
46	OUTPUT KEY	2	333687	333709	333709	334563	334623

FEATURES/BENEFITS PAGE G4-2	SPECIFICATION PAGE G4-8	NOMENCLATURE PAGE G4-9	RATINGS/DIMENSIONS PAGE G4-16
--------------------------------	----------------------------	---------------------------	----------------------------------



NOTES

Gearing Reference Guide

TORQUE-ARM II

TORQUE-ARM

MAXUM

TIGEAR-2

FEATURES/BENEFITS
PAGE G4-2

SPECIFICATION
PAGE G4-8

NOMENCLATURE
PAGE G4-9

RATINGS/DIMENSIONS
PAGE G4-16

CONTENTS

ENGINEERING/TECHNICAL

BEARING ENGINEERING SECTION

Vibration Frequencies of Anti-Friction Mounted Bearings	G5-2
Bearing Life Adjustment Factors (Rolling Element Bearings)	G5-9

PT COMPONENT ENGINEERING SECTION

V-Belt Sheave Groove Dimensions	G5-11
Conveyor Belt FPM to RPM	G5-12
Material Characteristics	G5-13

GENERAL ENGINEERING SECTION

Shafting	G5-15
Expansion of Shafting	G5-20
Weights/Properties of Steel Shafting	G5-21
Oil Viscosity Classification	G5-23
English Standard Measurement	G5-24
Metric Standard Measurement & Conversion	G5-26
Common Conversion Factors	G5-27
Flywheel Formulas	G5-34
Centrifugal Force	G5-34
Formulas and Constants	G5-33
Torque and Horsepower Equivalents	G5-35
Overhung Loads	G5-35
Mathematical Equations	G5-35
Strength and Physical Properties of Various Metals	G5-36
Properties of Sections	G5-37
Coefficients of Friction (f)	G5-38
Hardness Comparison	G5-38
U.S. Standard Sheet Metal Gages	G5-38
Trigonometric Formula	G5-39
Part Number Index	INDEX-1
Keyword Index	INDEX-35

Vibration Frequencies of DODGE Anti-Friction Mounted Bearings

More and more manufacturing facilities are getting involved with plant-wide preventive maintenance programs. By monitoring vibration levels of motors, pumps, fans and compressors, maintenance supervisors can predict imminent failures. Knowing that a piece of equipment is showing signs of potential failure permits scheduling of maintenance at an appropriate time and avoids the consequences of catastrophic failures. Shown on Table 1 - Table 10 are vibration frequencies generated by bearing components defects. All frequencies are based on unity inner ring or cone rotation.

Frequency

- Cup Nick or Spall 1000 x 9.249 = 9249 RPM
- Cone Nick or Spall 1000 x 11.751 = 11751 RPM
- Roller Nick or Spail 1000 x 8.068 = 8068 RPM
- Roll Size Variation 1000 x.440 = 440 RPM

Since all the values on Table 1 - Table 10 are based on unity inner ring or cone rotation, the vibration due to flaws will show up at the frequencies obtained by multiplying the RPM times the factors found on the appropriate table. The resulting product will have units of REV./MIN.

How to Use the Tables

If a 2-7/16 Type E pillow block is rotating at 1000 RPM, the vibration due to a failed component will show up at the following frequencies: (Table 3, Line 6)

Table 1: All Setscrew, Eccentric & D-Lok Ball Bearing Parameters for Vibration Analysis (1-RPS)

Series	SC Bore	SCM Bore	# Balls	Diameter of Balls	Pitch Diameter	Outer Ring Frequency Hz	Inner Ring Frequency Hz	Ball Spin Frequency Hz	Cage Frequency Hz
203	1/2 - 5/8		8	17/64	1.1506	3.076569	4.923431	2.050406	0.384571
204	1/2 - 3/4		8	5/16	1.3251	3.056675	4.943325	2.002244	0.382084
205	7/8 - 1		9	5/16	1.5325	3.582382	5.417618	2.350042	0.398042
206	1-1/6 - 1-1/4	1	9	3/8	1.823	3.574328	5.425672	2.327814	0.397148
207	1-1/4 - 1-7/16	1-3/16	9	7/16	2.136	3.578301	5.421699	2.338732	0.397589
208	1-1/2 - 1-5/8	1-7/16 - 1-1/2	9	1/2	2.387	3.557394	5.442606	2.282266	0.395266
209	1-11/16 - 1-3/4	1-1/2	9	13/25	2.5591	3.585616	5.414384	2.359075	0.398402
210	1-15/16 - 2	1-11/16 - 1-3/4	10	1/2	2.7645	4.095677	5.904323	2.674068	0.409568
211	2 2-1/4	1-15/16 - 2	10	9/16	3.092	4.090395	5.909605	2.657484	0.409039
212	2-1/4 - 2-7/16	2-3/16 - 2-1/4	10	5/8	3.385	4.076809	5.923191	2.615681	0.407681
214	2-11/16	2-7/16 - 2-1/2	10	11/16	3.775	4.089404	5.910596	2.654395	0.408940
215	2-15/16	2-11/16	11	11/16	4.085	4.574357	6.425643	2.886760	0.415851
216		2-15/16 - 3	11	3/4	4.33	4.547344	6.452656	2.800062	0.413395
218		3-7/16 - 3-1/2	11	27/32	4.9199	4.556764	6.443236	2.829748	0.414251

Table 2: CC Ball Bearing Parameters For Vibration Analysis (1-RPS)

Series	Shaft Size	# Balls	Diameter of Balls	Pitch Diameter	Outer Ring Frequency Hz	Inner Ring Frequency Hz	Ball Spin Frequency Hz	Cage Frequency Hz
205	15/16 - 1	9	5/16	1.516	3.572394	5.427606	2.322533	0.396933
206	1-1/8 - 1-3/16	9	3/8	1.811	3.568194	5.431806	2.311133	0.396466
207	1-1/4 - 1-7/16	9	7/16	2.106	3.565171	5.434829	2.302987	0.396130
209	1-11/16 - 1-3/4	9	1/2	2.362	3.547417	5.452583	2.256157	0.394157
210	1-15/16	10	1/2	2.756	4.092888	5.907112	2.665289	0.409289
211	2-3/16	10	9/16	3.051	4.078171	5.921829	2.619817	0.407817

Table 3: Type E, K, DI and TAF Tapered Roller Bearing Parameters For Vibration Analysis (1-RPS)

Bore Size	# Rollers Per Row	Mean Diameter of Rollers	Pitch Diameter	Contact Angle	Cup Frequency Hz	Cone Frequency Hz	Roller Spin Frequency Hz	Cage Frequency Hz
1-3/16 - 1-1/4	19	0.23	1.774	17.533	8.325540	10.674460	3.797580	0.438186
1-3/8 - 1-7/16	20	0.29	2.084	16.5	8.665750	11.334250	3.529138	0.433287
1-1/2 - 1-11/16	18	0.35	2.411	16	7.744100	10.255900	3.377216	0.430228
1-3/4 - 2	17	0.41	2.709	12.033	7.241814	9.758186	3.231274	0.425989
2-3/16	19	0.41	3.014	13.283	8.242270	10.757730	3.611184	0.433804
2-1/4 - 2-1/2	21	0.41	3.337	14.5	9.251011	11.748989	4.011931	0.440524
2-11/16 - 3	24	0.41	3.9	16.733	10.791879	13.208121	4.707891	0.449662
3-3/16 - 3-1/2	26	0.46	4.78	18.167	11.811316	14.188684	5.152213	0.454281
3-15/16 - 4	26	0.51	5.12	17.567	11.765467	14.234533	4.974340	0.452518
4-7/16 - 4-1/2	25	0.59	5.727	18.983	11.282275	13.717725	4.807330	0.451291
4-15/16 - 5	25	0.68	6.568	17	11.262395	13.737605	4.782071	0.450496
5-7/16 - 6	32	0.67	8.444	17.75	14.790895	17.209105	6.265507	0.462215
6-7/16 - 7	27	0.93	9.791	19.167	12.288783	14.711217	5.221605	0.455140

Cup Frequency = $N * RPM * (1 - (Bd * \cos a / Pd)) / 2$

Cone Frequency = $N * RPM * (1 + (Bd * \cos a / Pd)) / 2$

Roller Spin Frequency = $Pd * RPM * (1 - (Bd * \cos a / Pd)^2) / (2 * Bd)$

Cage Frequency = $RPM * (1 - (Bd * \cos a / Pd)) / 2$

Pd = Pitch Diameter

N = Number of rollers

Bd = Roller Diameter

a = Cup Angle (contact angle)

Table 4: Type C Tapered Roller Bearing Parameters For Vibration Analysis (1-RPS)

Bore Size	# Rollers Per Row	Mean Diameter of Rollers	Pitch Diameter	Contact Angle	Cup Frequency Hz	Cone Frequency Hz	Roller Spin Frequency Hz	Cage Frequency Hz
1-3/16 - 1-7/16	19	0.31	2.251	14.92	8.235801	10.764199	3.566352	0.433463
1-1/2 - 1-3/4	21	0.32	2.604	11.50	9.235581	11.764419	4.009748	0.439790
1-15/16	22	0.33	2.848	15.00	9.768852	12.231148	4.261097	0.444039
2 - 2-1/4	21	0.40	3.335	16.83	9.294571	11.705429	4.113807	0.442599
2-3/16 - 2-7/16	25	0.35	3.533	18.00	11.322284	13.677716	5.002340	0.452891
2-1/2 - 2-11/16	23	0.43	3.827	16.50	10.261076	12.738924	4.398352	0.446134
2-7/16 - 2-15/16	26	0.42	4.22	16.50	11.759442	14.240558	4.978061	0.452286
3 - 3-3/16	22	0.55	4.612	16.50	9.742225	12.257775	4.137910	0.442828
3-1/4 - 3-7/16	24	0.51	4.761	16.42	10.766982	13.233018	4.618367	0.448624
3-1/2 - 4	25	0.59	5.727	18.98	11.282253	13.717747	4.807328	0.451290
4-7/16 - 4-1/2	33	0.46	3.109	11.50	14.107710	18.892290	3.308310	0.427506
4-15/16 - 5	26	0.68	6.983	18.00	11.796028	14.203972	5.090519	0.453693

Cup Frequency = $N * RPM * (1 - (Bd * \cos a / Pd)) / 2$

Cone Frequency = $N * RPM * (1 + (Bd * \cos a / Pd)) / 2$

Roller Spin Frequency = $Pd * RPM * (1 - (Bd * \cos a / Pd)^2) / (2 * Bd)$

Cage Frequency = $RPM * (1 - (Bd * \cos a / Pd)) / 2$

Pd = Pitch Diameter

N = Number of rollers

Bd = Roller Diameter

a = Cup Angle (contact angle)

ENGINEERING

Engineering

System-1

Type 5: Special Duty Tapered Roller Bearing Parameters For Vibration Analysis (1-RPS)

Bore Size	# Rollers Per Row	Mean Diameter of Rollers	Pitch Diameter	Contact Angle	Cup Frequency Hz	Cone Frequency Hz	Roller Spin Frequency Hz	Cage Frequency Hz
1-3/8 - 1-1/2	16	0.40	2.563	11.54	6.776702	9.223298	3.128839	0.423544
1-9/16 - 1-3/4	18	0.40	2.854	12.72	7.769570	10.230430	3.500820	0.431643
1-7/8 - 2	19	0.41	3.014	13.28	8.242255	10.757745	3.611183	0.433803
2-1/8 - 2-1/4	22	0.41	3.475	15	9.746381	12.253619	4.182764	0.443017
2-3/8 - 2-1/2	20	0.46	3.695	14.38	8.794078	11.205922	3.957897	0.439704
2-5/8 - 3	22	0.51	4.336	15.07	9.750677	12.249323	4.196146	0.443213
3-3/16 - 3-1/2	23	0.59	5.22	17.42	10.259806	12.740194	4.372280	0.446079
3-11/16 - 4	23	0.68	5.942	15.50	10.231809	12.768191	4.315984	0.444861
4-7/16 - 4-1/2	26	0.68	6.983	18	11.796028	14.203972	5.090519	0.453693
4-15/16 - 5	24	0.81	7.537	16.42	10.762960	13.237040	4.603028	0.448457
5-7/16 - 6	24	0.93	9.123	17.33	10.832249	13.167751	4.858391	0.451344
6-1/2 - 7	29	0.93	10.19	19.23	13.250482	15.749518	5.437812	0.456913
7-15/16 - 8	27	1.12	11.471	12.42	12.212741	14.787259	5.074422	0.452324
8-1/2 - 10	41	0.87	13.979	16.40	19.276067	21.723933	8.005271	0.470148
11 - 12	37	1.20	16.061	12.50	17.150534	19.849466	6.656476	0.463528

Cup Frequency = $N * RPM * (1 - (Bd * \cos a / Pd)) / 2$

Cone Frequency = $N * RPM * (1 + (Bd * \cos a / Pd)) / 2$

Roller Spin Frequency = $Pd * RPM * (1 - (Bd * \cos a / Pd)^2) / (2 * Bd)$

Cage Frequency = $RPM * (1 - (Bd * \cos a / Pd)) / 2$

Pd = Pitch Diameter

N = Number of rollers

Bd = Roller Diameter

a = Cup Angle (contact angle)

Part Number Index

Table 6: All Steel Tapered Roller Bearing Parameters For Vibration Analysis (1-RPS)

Bore Size	# Rollers Per Row	Mean Diameter of Rollers	Pitch Diameter	Contact Angle	Cup Frequency Hz	Cone Frequency Hz	Roller Spin Frequency Hz	Cage Frequency Hz
2-11/16 - 3	27	0.36	4.114	15.50	12.361632	14.638368	5.673261	0.457838
3-1/4 - 3-1/2	26	0.51	5.120	17.57	11.765488	14.234512	4.974342	0.452519
3-15/16 - 4	33	0.48	5.814	12.50	15.170061	17.829939	6.016904	0.459699
4-7/16 - 4-1/2	29	0.60	6.503	12.92	13.196026	15.803974	5.375340	0.455035
4-15/16 - 5	32	0.61	7.355	12.50	14.704466	17.295534	5.989163	0.459515
5-7/16	27	0.84	8.272	12	12.159067	14.840933	4.875231	0.450336
5-15/16 - 6	26	0.85	8.323	12	11.701366	14.298634	4.847026	0.450053
6-7/16 - 7	32	0.81	9.748	12.50	14.702011	17.297989	5.977683	0.459438
7-1/2 - 8	27	1.12	11.471	12.42	12.212741	14.787259	5.074422	0.452324
9 - 10	32	1.28	14.026	12.03	14.571921	17.428079	5.435259	0.455373

Cup Frequency = $N * RPM * (1 - (Bd * \cos a / Pd)) / 2$

Cone Frequency = $N * RPM * (1 + (Bd * \cos a / Pd)) / 2$

Roller Spin Frequency = $Pd * RPM * (1 - (Bd * \cos a / Pd)^2) / (2 * Bd)$

Cage Frequency = $RPM * (1 - (Bd * \cos a / Pd)) / 2$

Pd = Pitch Diameter

N = Number of rollers

Bd = Roller Diameter

a = Cup Angle (contact angle)

Keyword Index

Table 7: Spherical Roller Bearing Parameters for Vibration Analysis (1-RPS)

Basic Bearing Series	USAF/SAF-XT Bore Sizes (in)	S2000 Unisphere II Sizes (in)	Imperial Bore Sizes (in)	# Rollers Per Row	Diameter of Rollers	Pitch Diameter	Contact Angle	Outer Ring Frequency Hz	Inner Ring Frequency Hz	Spin Frequency Hz	Cage Frequency Hz
22207E1ASKM				15	0.3937	2.166	11.750	6.165339	8.834661	2.663713	0.411023
22208E1ASKM		1-3/8 - 1-1/2	1-1/8 - 1-1/2	15	0.4488	2.449	10.583	6.148942	8.851058	2.639849	0.409929
22209E1ASKM	1-7/16	1-11/16 - 1-3/4	1 5/8 - 1-3/4	17	0.4291	2.665	9.750	7.151157	9.848843	3.027139	0.420656
22210E1ASKM	1-11/16	1-15/16 - 2	1 7/8 - 2	18	0.4331	2.858	9.083	7.653247	10.346753	3.225588	0.425180
22211E1ASKM	1-15/16	2-3/16	2-3/16 - 2-1/4	19	0.4646	3.189	8.750	8.132069	10.867931	3.360826	0.428004
22213E1ASKM	2-3/16	2 -7/16	2-3/8 - 2-1/2	18	0.5827	3.795	9.083	7.635432	10.364568	3.181534	0.424191
22215E1ASKM	2 7/16 - 2-1/2	2-11/16 - 3	2-11/16 - 3	20	0.5748	4.197	8.250	8.644623	11.355377	3.583768	0.432231
22216E1ASKM	2-11/16 - 2-3/4			19	0.6535	4.48	8.167	8.128283	10.871717	3.356234	0.427804
22217E1ASKM	2-15/16 - 3			18	0.7323	4.764	8.417	7.631462	10.368538	3.177554	0.423970
22218E1ASKM	3-3 /16	3-7 /16	3-3/16 - 3-1 /2	18	0.7795	5.079	8.833	7.635107	10.364893	3.182930	0.424173
22220E1ASKM	3-7 /16 - 3-1 /2	3-1 5/16 - 4	3-1 1/16 - 4	18	0.878	5.705	9.000	7.631952	10.368048	3.173794	0.423997
22222E1ASKM	3-1 5/16 - 4	4-7/16	4-7/16 - 4-1/2	17	1.0197	6.287	9.417	7.139947	9.860053	3.003844	0.419997
22224E1ASKM	4-3/16			18	1.0472	6.819	9.417	7.636487	10.363513	3.181095	0.424249
22226E1ASKM	4-7/16 - 4-1/2	4-15/16	4-15/16 - 5	18	1.1181	7.307	9.750	7.642733	10.357267	3.193282	0.424596
22228E1ASKM	4-15/16 - 5		5-7/16 - 5-1/2	18	1.2165	7.933	9.583	7.639139	10.360861	3.186035	0.424397
22230E1ASKM	5-3/16			18	1.315	8.559	9.500	7.636209	10.363791	3.179646	0.424234
22232E1ASKM	5-7/16 - 5-1/2		5-15/16 - 6	18	1.4094	9.189	9.667	7.639189	10.360811	3.185371	0.424399
22234E1ASKM	5-15/16 - 6			17	1.5827	9.74	9.833	7.139085	9.860915	2.998143	0.419946
22236E1ASKM	6-7/16 - 6-1/2		6-7/16 - 7	18	1.5591	10.157	9.417	7.637116	10.362884	3.182632	0.424284
22238E1ASKM	6-15/16 - 7			20	1.4961	10.669	10.667	8.621944	11.378056	3.497892	0.431097
22240E1ASKM	7-3/16			19	1.6142	11.021	10.833	8.133372	10.866628	3.343119	0.428072
22244E1ASKM	7-1/2 - 8			19	1.8504	12.48	10.833	8.116546	10.883454	3.300728	0.427187
23048KMB	8-7/16 - 9			29	1.1417	12.008	9.333	13.139616	15.860384	5.212536	0.453090
23052KMB	9-7/16 - 9-1/2			27	1.378	13.278	9.667	12.113633	14.886367	4.749092	0.448653
23056KMB	9-15/16 - 10-1/2			28	1.378	13.926	9.333	12.637908	15.362092	5.023115	0.451354

Outer Ring Frequency = $N * RPM * (1 - (Bd * \cos a / Pd)) / 120$

Inner Ring Frequency = $N * RPM * (1 + (Bd * \cos a / Pd)) / 120$

Roller Spin Frequency = $Pd * RPM * (1 - (Bd * \cos a / Pd)^2) / (120 * Bd)$

Cage Frequency = $RPM * (1 - (Bd * \cos a / Pd)) / 120$

Pd = Pitch Diameter
 N = Number of rollers
 Bd = Roller Diameter
 a = Contact Angle

Table 8: DODGE USAF Air Handling Spherical Roller Bearing Parameters For Vibration Analysis (1-RPS)

Bore Size	Basic Bearing Series	# Rollers Per Row	Diameter of Rollers	Pitch Diameter	Contact Angle	Outer Ring Frequency Hz	Inner Ring Frequency Hz	Roller Spin Frequency Hz	Cage Frequency Hz
1-7/16	22209E1K	17	0.3937	2.5976	10.0000	7.231287	9.768713	3.225462	0.425370
1-11/16	22210E1K	19	0.3937	2.7976	9.2500	8.180471	10.819529	3.484413	0.430551
1-15/16	22211E1K	18	0.4528	3.0921	8.9200	7.698000	10.302000	3.342963	0.427667
2-3/16	22213E1K	19	0.5315	3.7110	9.2500	8.157076	10.842924	3.421302	0.429320
2-7/16 - 2-1/2	22215E1K	21	0.5315	4.1098	8.3300	9.156413	11.843587	3.802922	0.436020
2-11/16 - 2-3/4	22216E1K	20	0.5709	4.3638	8.2500	8.705275	11.294725	3.757794	0.435264
2-15/16 - 3	22217E1K	20	0.6299	4.6811	8.5000	8.669157	11.330843	3.649937	0.433458
3-3/16	22218E1K	20	0.6693	4.9602	8.8300	8.666651	11.333349	3.639636	0.433333
3-7/16 - 3-1/2	22220E1K	19	0.7677	5.5606	9.0000	8.204572	10.795428	3.554256	0.431820
3-15/16 - 4	22222E1K	19	0.8661	6.1559	9.4200	8.181428	10.818572	3.485342	0.430601
4-3/16	22224E1K	19	0.9252	6.6382	9.5800	8.194401	10.805599	3.519683	0.431284
4-7/16 - 4-1/2	22226E1K	19	0.9843	7.1358	9.9200	8.209178	10.790822	3.557887	0.432062
4-15/16 - 5	22228E1K	19	1.0630	7.7232	9.6700	8.211024	10.788976	3.565861	0.432159

Outer Ring Frequency = $N * RPM * (1 - (Bd * \cos a / Pd)) / 120$

Inner Ring Frequency = $N * RPM * (1 + (Bd * \cos a / Pd)) / 120$

Roller Spin Frequency = $Pd * RPM * (1 - (Bd * \cos a / Pd)^2) / (120 * Bd)$

Cage Frequency = $RPM * (1 - (Bd * \cos a / Pd)) / 120$

Pd = Pitch Diameter
 N = Number of rollers
 Bd = Roller Diameter
 a = Contact Angle

Table 9: Split-Spherical Roller Bearing Parameters For Vibration Analysis

Bore Size	Basic Bearing Series	# Rollers Per Row	Diameter of Rollers	Pitch Diameter	Contact Angle	Outer Ring Frequency Hz	Inner Ring Frequency Hz	Roller Spin Frequency Hz	Cage Frequency Hz
2-3/16	22213SS	17	0.559	3.414	9.000	7.125120	9.874880	2.973241	0.419125
2-7/16	22215SS	18	0.551	3.748	9.083	7.693012	10.306988	3.328155	0.427390
2-11/16	22216SS	19	0.579	3.950	8.667	8.124082	10.875918	3.341232	0.427583
2-15/16	22217SS	20	0.575	4.153	8.250	8.630263	11.369737	3.544783	0.431513
3-3/16	22218SS	19	0.654	4.435	8.167	8.114365	10.885635	3.321078	0.427072
3-7/16	22220SS	18	0.780	5.079	8.833	7.635107	10.364893	3.182930	0.424173
3-15/16 - 4	22222SS	18	0.878	5.634	9.000	7.614712	10.385288	3.132415	0.423040
4-3/16	22224SS	17	1.110	6.203	9.417	6.999864	10.000136	2.707845	0.411757
4-7/16 - 4-1/2	22226SS	18	1.047	6.727	9.417	7.617839	10.382161	3.136146	0.423213
4-15/16	22228SS	18	1.118	7.202	9.750	7.622945	10.377055	3.145244	0.423497
5-3/16	22230SS	18	1.217	7.822	9.583	7.619828	10.380172	3.139355	0.423324
5-7/16	22232SS	18	1.315	8.442	9.500	7.617307	10.382693	3.134123	0.423184
5-15/16 - 6	22234SS	18	1.409	9.059	9.667	7.619661	10.380339	3.138182	0.423314
6-7/16 - 6-1/2	22236SS	18	1.409	9.059	9.667	7.619661	10.380339	3.138182	0.423314
6-15/16 - 7	22238SS	18	1.559	10.021	9.417	7.618619	10.381381	3.138004	0.423257
7-3/16	22240SS	16	1.579	10.716	9.417	6.837308	9.162692	3.322243	0.427332
7-1/2 - 8	22244SS	16	1.752	11.257	9.500	6.771984	9.228016	3.136916	0.423249
8-1/2 - 9	23048SS	20	1.307	11.189	8.083	8.843406	11.156594	4.222831	0.442170
9-1/2	23052SS	22	1.339	11.949	8.417	9.780985	12.219015	4.408432	0.444590
10	23056SS	20	1.539	13.175	8.667	8.844916	11.155084	4.222170	0.442246

$$\text{Outer Ring Frequency} = N * \text{RPM} * (1 - (\text{Bd} * \cos a / \text{Pd})) / 12$$

$$\text{Inner Ring Frequency} = N * \text{RPM} * (1 + (\text{Bd} * \cos a / \text{Pd})) / 120$$

$$\text{Roller Spin Frequency} = \text{Pd} * \text{RPM} * (1 - (\text{Bd} * \cos a / \text{Pd})^2) / (120 * \text{Bd})$$

$$\text{Cage Frequency} = \text{RPM} * (1 - (\text{Bd} * \cos a / \text{Pd})) / 120$$

Pd = Pitch Diameter

N = Number of rollers

Bd = Roller Diameter

a = Contact Angle

Table 10: USDAF Spherical Roller Bearing Parameters For Vibration Analysis (1-RPS)

Bore Size	Basic Bearing Series	# Rollers Per Row	Diameter of Rollers	Pitch Diameter	Contact Angle	Outer Ring Frequency Hz	Inner Ring Frequency Hz	Roller Spin Frequency Hz	Cage Frequency Hz
10-15/16 - 11	23060K	27	1.575	15.066	9.5	12.108065	14.891935	4.732011	0.448447
11-7/16 - 12	23064K	28	1.575	15.85	9.333	12.627248	15.372752	4.983368	0.450973
12-7/16 - 12-1/2	23068K	27	1.732	17.007	9.5	12.144010	14.855990	4.860109	0.449778
12-15/16 - 13-1/2	23072K	28	1.732	17.793	9.333	12.655257	15.344743	5.089157	0.451973
13-15/16 - 14	23076K	30	1.732	18.587	9	13.619458	16.380542	5.320311	0.453982
15	23080K	29	1.929	19.822	9.167	13.106938	15.893062	5.090472	0.451963
15-3/4	23084K	30	1.929	20.609	9	13.613287	16.386713	5.296232	0.453776
9-7/16 - 9-1/2	23152K	23	1.693	13.914	12.5	10.133894	12.866106	4.051285	0.440604
10-7/16 - 10-1/2	23156K	24	1.732	14.711	12	10.618053	13.381947	4.190502	0.442419
10-15/16 - 11	23160K	23	1.89	15.923	12.333	10.166494	12.833506	4.155793	0.442021
11-15/16 - 12	23164K	23	2.087	17.044	12.833	10.127024	12.872976	4.025170	0.440305
12-7/16 - 12-1/2	23168K	23	2.244	18.272	12.833	10.122953	12.877047	4.012925	0.440128
13-7/16 - 13-1/2	23172K	24	2.244	19.077	12.333	10.621032	13.378968	4.194537	0.442543
13-15/16 - 14	23176K	25	2.323	19.833	12	11.067894	13.932106	4.212801	0.442716
8-15/16 - 9	23248K	20	1.929	13.523	14	8.615913	11.384087	3.438035	0.430796
9-7/16 - 9-1/2	23252K	19	2.126	14.745	14	8.170935	10.829065	3.399907	0.430049
10-7/16 - 10-1/2	23256K	20	2.126	15.537	13.583	8.669925	11.330075	3.589401	0.433496
10-15/16 - 11	23260K	20	2.323	16.706	13.833	8.649811	11.350189	3.530230	0.432491
11-15/16 - 12	23264K	20	2.441	17.878	14	8.675192	11.324808	3.597751	0.433760
12-7/16 - 12-1/2	23268K	20	2.638	19.048	14.167	8.657198	11.342802	3.545213	0.432860

$$\text{Outer Ring Frequency} = N * \text{RPM} * (1 - (\text{Bd} * \cos a / \text{Pd})) / 120$$

$$\text{Inner Ring Frequency} = N * \text{RPM} * (1 + (\text{Bd} * \cos a / \text{Pd})) / 120$$

$$\text{Roller Spin Frequency} = \text{Pd} * \text{RPM} * (1 - (\text{Bd} * \cos a / \text{Pd})^2) / (120 * \text{Bd})$$

$$\text{Cage Frequency} = \text{RPM} * (1 - (\text{Bd} * \cos a / \text{Pd})) / 120$$

Pd = Pitch Diameter

N = Number of rollers

Bd = Roller Diameter

a = Contact Angle

Mounted Bearings Life Adjustment Factor

1.1 GENERAL. For certain applications, it is desirable to specify life for reliability other than 90%. In such cases a life adjustment factor for reliability may be applied to the RATING LIFE. Section 1.2 discusses life adjustment factors for reliability.

Some bearing steels; e.g., vacuum-melted steels, and improved processing techniques, permit manufacture of bearings which offer endurance greater than that calculated by the RATING LIFE formula. Section 1.3 recommends methods to incorporate life adjustment factors for bearing materials into the life formula.

Bearing life calculated according to the RATING LIFE formula assumes proper application conditions. If lubrication is not adequate, loading unusual, or temperatures extreme, the ability of the bearing to attain or exceed the RATING LIFE is seriously impaired. Section 1.4 contains some basic recommendations concerning the effect of unusual application conditions on bearing life.

1.2 LIFE ADJUSTMENT FACTOR FOR RELIABILITY. Bearing life estimated in accordance with this standard is RATING LIFE; i.e., the life associated with 90% reliability or the life which 90% of a group of apparently identical bearings in a given application under similar conditions of load and speed will complete or exceed. While RATING LIFE has proven useful over a period of years as a criterion of performance, some applications require definition of life at reliabilities greater than 90%.

To determine bearing life with reliabilities other than 90% (as previously calculated in the Selection Procedure) the L_{10} must be adjusted by factor a_1 , such that $L_n = a_1 \times L_{10}$.

The life adjustment factors for reliability from Table 11 are recommended.

Table 11: Life Adjustment Factors For Reliability

Reliability %	L_n	Life Adjustment Factor for Reliability a_1
90	L10	1
95	L5	0.62
96	L4	0.53
97	L3	0.44
98	L2	0.33
99	L1	0.21

1.3 LIFE ADJUSTMENT FACTOR FOR MATERIAL. For bearings, which incorporate improved materials and processing, the L_{10} (as previously calculated in the Selection Procedure) must be adjusted by factor a_2 . Factor a_2 depends upon steel analysis, metallurgical processing, forming methods, heat treatment and manufacturing methods in general.

Bearings fabricated from consumable vacuum remelted steels and certain other special analysis steels have demonstrated extraordinarily long endurance. These steels are of exceptionally high quality, and bearings fabricated from these are usually considered special manufacture. As such, a_2 values will not be specified for such steels in this discussion. Generally, a_2 values for such steels can be obtained from the bearing manufacturer.

1.4 LIFE ADJUSTMENT FACTOR FOR APPLICATION CONDITIONS.

Application conditions which affect bearing life include:

1. Lubrication.
2. Load distribution (including effects of clearance, misalignment, housing, and shaft stiffness, type of loading and thermal gradients).
3. Temperature.

Consideration of (1.2) and (1.3) above requires analytical and experimental techniques beyond the scope of this discussion, therefore, the user should consult the bearing manufacturer for evaluations and recommendations.

In most bearing applications, lubrication serves to separate the rolling surfaces; i.e., rolling elements and raceways; to reduce retainer-rolling elements and retainer-land friction and sometimes to act as a coolant to remove frictional heat generated by the bearing.

If all limitations and qualifications specified by this discussion are observed, then the life adjustment application factor for bearings which are adequately lubricated is 1; i.e., $a_3=1$. Operating conditions where a_3 might be less than 1 include:

- a) exceptionally low values of N_{dm} (rpm times bore diameter in mm); e.g., N_{dm} 1000.
- b) Lubricant viscosity less than 20.4 centistokes (100 SUS) at operating temperature.
- c) Excessively high operating temperatures.
When a_3 is less than 1, it may not be assumed that the deficiency in lubrication can be overcome by using an improved steel.

1.5 FACTOR COMBINATIONS. A fatigue life formula including the life adjustment factors is:

Ball Bearings:

$$L_n = a_1 \times a_2 \times a_3 \left(\frac{C^*}{P} \right)^3 \times \frac{(16.667)}{\text{RPM}}$$

Tapered Roller Bearings:

$$L_n = a_1 \times a_2 \times a_3 \left(\frac{C_{90}^*}{P} \right)^{10/3} \times \frac{(1,500,000)}{\text{RPM}}$$

Spherical Roller Bearings:

$$L_n = a_1 \times a_2 \times a_3 \left(\frac{C^*}{P} \right)^{10/3} \times \frac{(16.667)}{\text{RPM}}$$

Indiscriminate application of the life adjustment factors in this formula may lead to serious over-estimation of bearing endurance, since fatigue life is only one criterion for bearing selection.

Care must be exercised to select bearings which are of sufficient size for the application. Undersizing of shaft and housing structures by using bearings which appear adequate from a life standpoint could lead to misalignment and fitting problems which could invalidate the formulas in this discussion.

* C = Basic Load Rating computed in accordance with ABMA-ANSI Standards. $C_{90} = C \times .259$

ENGINEERING

V-Belt Drive Formulas

V-belt tensioning In cases where tensioning of a drive effects belt pull and bearing loads, the following formulas may be used.

$$T_1 - T_2 = 33,000 \left(\frac{HP}{V} \right)$$

where: T_1 = tight side tension, pounds
 T_2 = slack side tension, pounds
 HP = design horsepower
 V = belt speed, feet per minute

$$T_1 + T_2 = 33,000 (2.5-G) \left(\frac{HP}{GV} \right)$$

where: T_1 = tight side tension, pounds
 T_2 = slack side tension, pounds
 HP = design horsepower
 V = belt speed, feet per minute*
 G = arc of contact correction factor*

$$T_1/T_2 = \frac{1}{1-0.86G} \quad (\text{Also } T_1/T_2 = e^{K\theta})$$

where: T_1 = tight side tension, pounds
 T_2 = slack side tension, pounds
 G = arc of contact correction factor*
 e = base of natural logarithms
 K = .51230, a constant for V-belt drive design
 θ = arc of contact in radians

$$T_1 = 41,250 (HP/GV)$$

where: T_1 = tight side tension, pounds
 HP = design horsepower
 V = belt speed, feet per minute
 G = arc of contact correction factor

$$T_2 = 33,000 (1.25-G) (HP/GV)$$

where: T_2 = slack side tension, pounds
 HP = design horsepower
 V = belt speed, feet per minute
 G = arc of contact correction factor

Belt Speed

$$V = \frac{(PD) (RPM)}{3.82} = (PD) (rpm) (.262)$$

where: V = belt speed, feet per minute
 PD = pitch diameter of sheave or pulley
 rpm = revolutions per minute of the same sheave or pulley

* See Table 12 at left

Table 12: Arc of Contact Correction Factor G

D-d C	Small Sheave Arc of Contact	Factor G	D-d C	Small Sheave Arc of Contact	Factor G
.00	180°	1.00	.80	133°	.87
.10	174°	.99	.90	127°	.85
.20	169°	.97	1.00	120°	.82
.30	163°	.96	1.10	130°	.80
.40	157°	.94	1.20	106°	.77
.50	151°	.93	1.30	99°	.73
.60	145°	.91	1.40	91°	.70
.70	139°	.89	1.50	83°	.65

D = Diam. of large sheave. d = Diam. of small sheave
 C = Center distance

Table 13: Allowable Sheave Rim Speed

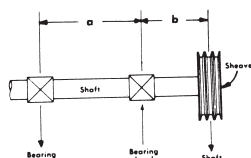
Sheave Material	Rim Speed in Feet per Minute
Cast Iron	6,500
Ductile Iron	8,000
Steel	10,000

NOTE: Above rim speed values are maximum for normal considerations. In some cases these values may be exceeded. Consult factory and include complete details of proposed application.

Bearing Load Calculations

To find actual bearing loads, it is necessary to know machine component weights and values of all other forces contributing to the load. Sometimes it becomes desirable to know the bearing load imposed by the V-belt drive alone. This can be

done if you know bearing spacing with respect to the sheave center and shaft load and apply it to the following formulas:

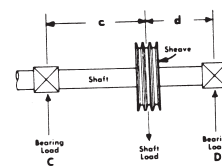


Overhung Sheave

$$\text{Load at B, lbs.} = \frac{\text{Shaft Load} \times (a + b)}{a}$$

$$\text{Load at A, lbs.} = \text{Shaft Load} \times \frac{b}{a}$$

Where: a and b = Spacing, inches



Sheave Between Bearings

$$\text{Load at D, lbs.} = \frac{\text{Shaft Load} \times c}{c + d}$$

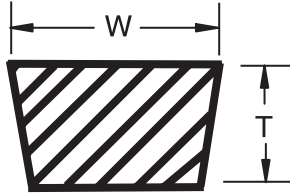
$$\text{Load at C, lbs.} = \frac{\text{Shaft Load} \times d}{c + d}$$

Where: c and d = Spacing, inches

FEATURES/BENEFITS PAGE G2-2	SPECIFICATION PAGE G2-9	MODIFICATION/ACCESSORIES PAGE G2-120	RENEWAL PARTS PAGE G2-166
--------------------------------	----------------------------	---	------------------------------

Nominal V-Belt Cross Sections

Table 14: Nominal V-Belt Cross Sections



Belt Section	Industry Standard Description	Width W, in Inches	Thickness T, in Inches
3L	FHP, Single	3/8	7/32
4L		1/2	5/16
5L		21/32	3/8
3V	Narrow	3/8	5/16
5V		5/8	17/32
8V		1	29/32
A	Classical Multiple	1/2	5/16
B		21/32	13/32
C		7/8	17/32
D		1-1/4	3/4

Pulley Dia. Inches	FPM												
	100	150	200	250	300	350	400	500	600	700	800	900	1000
6	64	95	127	159	191	223	254	318	382	445	509	573	636
8	48	72	95	119	143	167	191	239	286	334	382	429	477
10	38	57	76	95	115	134	153	191	229	267	305	344	382
12	32	48	64	80	95	111	127	159	191	223	254	286	318
14	27	41	55	68	82	95	109	136	164	191	218	245	273
16	24	36	48	60	72	83	95	119	143	167	191	215	239
18	21	32	42	53	64	74	85	106	127	148	170	191	212
20	19	29	38	48	57	67	76	95	115	134	153	172	191
24	16	24	32	40	48	56	64	80	95	111	127	143	159
30	13	19	25	32	38	45	51	64	76	89	102	115	127
36	11	16	21	27	32	37	42	53	64	74	85	95	106
42	9	14	18	23	27	32	36	45	55	64	73	82	91
48	8	12	16	20	24	28	32	40	48	56	64	72	80
54	7	11	14	18	21	25	28	35	42	49	57	64	71
60	6	10	13	16	19	22	25	32	38	45	51	57	64

For values not shown use formula below:

SFM = .2618 x D x RPM

SFM = Surface feet Per Minute

D = Pulley Diameter, Inches

RPM = Revolutions per Minute

ENGINEERING

Table 15: Material Characteristics

MATERIAL	DENSITY (LB/FT ³)	ANGLE OF REPOSE (DEG)	RECOMMENDED MAXIMUM INCLINATION	MATERIAL	DENSITY (LB/FT ³)	ANGLE OF REPOSE (DEG)	RECOMMENDED MAXIMUM INCLINATION
Alfalfa, Ground	16	45°		Corn, Shelled	45	25°	10
Alum, Lumpy	50 - 60	35°		Corn Sugar	30	35°	
Alum, Pulverized	45 - 50	35°		Corn Grits	40 - 45	35°	
Alumina	60	30°	10-12	Cornmeal	32- 40	35°	22
Aluminum Oxide	70 - 120	30°		Cottonseed, Dry, De-Linted	35	35°	16
Ammonium Sulphate	45 - 60	45°		Cottonseed, Dry, Not De-Linted	18- 25	45°	19
Asbestos, Shredded	20 - 25	45°		Cottonseed, Cake, Lumpy	40- 45	35°	
Ashes, Dry	35 - 40	45°		Cottonseed, Hulls	12	45°	
Ashes, Wet	45 - 50	45°		Cottonseed, Meal	35- 40	35°	22
Ashes, Soft Coal	35 - 45	40°		Cottonseed, Meats	40	35°	
Asphalt, Crushed	45	35°		Cryolite	90-110	35°	
Bagasse	7.50	45°		Cullet	80-120	35°	20
Bakelite, Powder	30 - 40	45°		Diatomaceous Earth	11- 14	35°	
Baking Powder	40 - 50	35°		Dolomite, Lumpy	90-100	35°	22
Bark, Wood Refuse	10 - 20	45°	27	Dolomite, Pulverized	46	40°	
Barley	38	25°	10-15	Earth, Dry"	70- 80	35°	20
Basalt	80 - 120	25°		Earth, Moist	75-110	40°	23
Bauxite, Crushed	75 - 85	35°	20	Earth, Fullers Dry	30- 35	23°	20
Beans, Castor, Whole	30 - 45	25°	8-10	Emery	225	25°	
Beans, Cocoa	30 - 45	35°		Epsom Salt	40- 50	35°	
Beans, Navy	50	25°		Feldspar, Lumps	70-100	35°	17
Beans, Whole	45	45°		Feldspar, Dust	80-100	40°	
Bentonite, Crude	35 - 40	45°		Fish, Meal	35- 40	40°	
Bentonite, Fine	50 - 60	45°		Fish, Scrap	40- 50	0°	
Bones, Pulverized	50 - 60	45°		Flaxseed, Whole	45	25°	12
Borax, Fine	50 - 55	35°		Flaxseed, Meal	25	35°	
Borax Coarse	60 - 70	35°		Flour, Wheat	35- 40	45°	21
Bran	16	35°		Flue Dust, Dry	30- 40	20°	
Brewers Grain, Dry	25 - 35	45°		Fluorspar, Dust	85- 95	45°	
Brewers Grain, Wet	55 - 60	45°		Fluorspar, Lumps	80-110	45°	
Buck Wheat	40	25°	11-13	Foundry, Refuse	60- 80	35°	
Calcium, Carbide	70 - 80	35°		Foundry Sand, Loose	80- 90	35°	
Carbon Black, Pellets	25	25°		Foundry Sand, Rammed	100-110	0°	
Carbon Black, Powder	5	35°		Galena	250	35°	
Cast Iron Chips	100 -120	45°		Garbage, Average	30	25°	
Cement, Clinker	75 - 90	35°		Glass, Batch Fiber	45 - 55	10°	
Cement, Portland	80 -100	35°	20-23	Glass, Batch Wool	80-100	35°	20-22
Chalk, Fine	65 - 75	45°		Glass, Broken	80-100	10°	
Chalk, Lumpy	80 - 95	45°		Glue, Animal, Flaked	35	25°	
Charcoal, Wood	15 - 30	35°	20-25	Glue, Vegetable, Powdered	40	35°	
Chromium Ore	125 - 140	35°		Gluten, Meal	39	35°	
Cinders, Coal	40	35°	20	Granite, Lumps	150 -170	25°	
Clay, Dry, Fine	100 - 120	35°	20-22	Graphite, Flakes	40	35°	
Clay, Dry, Lumpy	60 - 75	35°	18-20	Graphite, Powder	30	25°	
Coal, Anthracite, Coarse	60 - 70	35°	18	Graphite, Ore	65 - 75	35°	
Coal, Anthracite, Loose	50 - 60	30°	16	Grass Seed	10	35°	
Coal, Bituminous, Coarse	50 - 60	35°	18	Gravel, Dry	90-100	35°	15-17
Coal, Bituminous, Loose	45 - 50	35°	16	Gravel, Wet	100-120	35°	
Cocoa Nibs	35 - 40	35°		Gypsum, Lumps	90-100	35°	15
Coconut, Shredded	20 - 25	45°		Gypsum, Ground	75- 80	35°	21
Coffee, Fresh Beans	30 - 40	35°	10-15	Hay, Loose	5	0°	
Coffee, Roasted Beans	22 - 30	25°		Hay, Pressed	25	0°	
Coke, Loose	23 - 32	35°	18	Hominy	35- 50	35°	
Coke Pulverized	25 - 35	45°	20-22	Hops, Spent, Dry	25- 35	45°	
Coke, Petroleum Calcinated	35 - 45	35°	20	Hops, Spent, Wet	55- 60	45°	
Concrete, Cinder	112	0°	12-30	Ice, Crushed	35- 40	20-	
Concrete, Gravel & Sand	150	0°		Ilmenite Ore	140-160	35°	
Copper Ore	120 - 150	35°	20	Iron Ore	120-180	35°	18-20
Copper Sulfate	75 - 85	30°	17	Iron Ore, Pellets	120-140	35°	13-15
Cork, Ground	5 - 15	45°		Iron Sulphate	50- 75	35°	
Corn, On Cob	45	0°		Iron Sulfide	120-140	35°	

FEATURES/BENEFITS PAGE G2-2	SPECIFICATION PAGE G2-9	MODIFICATION/ACCESSORIES PAGE G2-120	RENEWAL PARTS PAGE G2-166
--------------------------------	----------------------------	---	------------------------------

Table 16: Material Characteristics

MATERIAL	DENSITY (LB/FT ³)	ANGLE OF REPOSE (DEG)	RECOMMENDED MAXIMUM INCLINATION	MATERIAL	DENSITY (LB/FT ³)	ANGLE OF REPOSE (DEG)	RECOMMENDED MAXIMUM INCLINATION
Kaolin, Clay	60	35°	19	Rubber, Pellets	50 - 55	35°	22
Lactose	30	35°		Rubber, Ground Scrap	25 - 35	45°	18
Lead Ore, Crushed	180 - 270	30°		Rye	42 - 45	25°	8
Lead Oxides	60 - 150	40°		Rye Meal	35 - 40	20°	
Lead Sulfate	170 - 190	45°		Salt Cake	80 - 95	30°	21
Lead Sulfide	240 - 260	35°		Salt, Coarse"	45 - 55	35°	18-22
Lignite, Air Dried	45 - 55	35°		Salt, Fine"	70 - 80	35°	11
Lime, Ground	60 - 65	40°	23	Sand, Wet	110 - 130	45°	20-22
Lime, Hydrated	40	40°	21	Sand, Dry	90 - 110	35°	16-18
Lime, Pebble	30 - 40	40°	17	Sand, Loose, Foundry	80 - 100	35°	22
Limestone, Loose	80 - 100	35°	20	Sand, Foundry, Rammed	100 - 110	0°	24
Limestone, Pulverized	85 - 90	45°	18	Sandstone	80 - 90	35°	
Linseed, Whole	45 - 50	25°		Sawdust	10 - 25	30°	22
Linseed, Meal	30 - 40	35°	20	Scale, Rolling Mill	125 - 160	45°	
Magnesium Chloride	30 - 35	40°		Sewage Sludge, Dry	45 - 55	35°	
Magnesium Sulfate	40 - 60	35°		Sewage Sludge, Wet	50 - 60	35°	
Malt, Dry	25 - 30	30°		Shale, Broken	90 - 100	25°	
Malt, Wet	60 - 65	45°		Shale, Crushed	85 - 90	40°	22
Malt, Meal	35 - 40	35°		Silica Gel, Dry	45	35°	
Manganese Ore	125 - 140	40°		Slag, Blast Furnace	80 - 90	25°	10
Manganese Oxide	120	35°		Slag, Granular, Dry	60 - 65	25°	13-16
Manganese Sulfate	70	35°		Slag, Granular, Wet	90 - 100	45°	20-22
Manure	25	0°		Slate, Ground	80 - 90	30°	15
Marble, Crushed	80 - 95	35°		Slate, Lumps	85 - 95	0°	
Marl	80	35°		Snow, Compacted	15 - 50	0°	
Mica, Flakes	20	20°		Soap	10 - 25	35°	
Mica, Ground	15	35°	23	Soda Ash, Briquettes	50	20°	7
Milk, Dried, Flaked	5	35°		Soda Ash, Heavy	55 - 65	30°	19
Milk, Malted	25 - 35	45°		Soda Ash, Light	20 - 35	35°	22
Milk, Powdered	20 - 30	40°		Sodium Aluminum, Ground	72	35°	
Milo Maize	55 - 60	35°		Sodium Nitrate, Ground	70 - 80	24°	11
Molybdenum Ore	100 - 110	40°		Sodium Phosphate	50 - 65	35°	
Mortar, Wet	150	0°		Soybeans, Cracked	30 - 40	35°	15-18
Niacin	35	35°		Soybeans, Whole"	45 - 50	25°	12-16
Nickel-Cobalt Sulfate Ore	80 - 150	35°		Starch, Powdered	25 - 45	25°	12
Oats	25 - 35	25°	10	Steel, Chips	100 - 150	35°	18
Oats, Rolled	20	35°		Steel, Turnings	60 - 120	45°	
Oil Cake	50	45°		Sugar, Cane, Raw	55 - 65	45°	
Oxalic Acid Crystals	60	35°		Sugar, Granulated, Dry	50 - 55	35°	
Oyster Shells, Ground	50 - 60	35°		Sugar, Granulated, Wet	55 - 65	40°	
Oyster Shells, Whole	80	35°		Sugar Cane, Knifed	15 - 18	45°	
Paper Pulp Stock	40 - 60	20°		Sulphur, Lumps	80 - 85	35°	
Peanuts, Shelled	35 - 45	35°		Sulphur, Dust	50 - 70	35°	
Peanuts, Not Shelled	15 - 20	35°		Saonite, Pellets	120 - 140	35°	13-15
Peas, Dried	45 - 50	0°		Salc, Granulated	50 - 70	20°	
Phosphate, Fertilizer	50 - 60	35°	30	Titanium Dioxide	140	35°	
Phosphate, Rock, Crushed	60 - 100	35°	25	Titanium Sponge	60 - 70	45°	
Potash	70 - 80	30°		Tobacco, Leaves	14	45°	
Potassium Chloride	120 - 130	35°		Tobacco, Scraps	15 - 25	45°	
Potassium Nitrate	75 - 80	25°		Tobacco, Stems	15	45°	
Potassium Sulfate	45	45°		Traprock, Crushed	95 - 110	35°	
Potatoes, White"	48	0°		Traprock, Lumps	100 - 110	35°	
Pumice, Ground	40 - 45	45°		Turf	20 - 30	0°	
Pyrites, Lumps	135 - 145	25°		Walnut, Shells	35 - 45	35°	
Pyrites, Pellets	120 - 130	35°		Wheat	48	25°	12
Quartz, Lumps	95 - 100	25°		Wheat, Cracked	40 - 45	35°	
Quartz, Sand	70 - 80	25°		Wheat Germ, Dry	20 - 30	25°	27
Rice, Hulled	45 - 50	20°	8	Wood Chips	10 - 30	45°	22
Rice, Rough	35	35°		Zinc Ore, Granular	160	35°	
Rice, Grits	40 - 45	35°		Zinc Oxide	10 - 35	45°	
Rock, Crushed	100 - 150	30°					

Shafting

Table 17: Typical Commercial Shaft Tolerances

Shaft Size	Plus	Minus
Up to 1-1/2"	.000	.002
Over 1-1/2 to 2-1/2"	.000	.003
Over 2-1/2 to 4"	.000	.004
Over 4 to 6"	.000	.005
Over 6 to 8"	.000	.006
Over 8 to 9"	.000	.007
Over 9"	.000	.008

Table 18: Shaft Tolerances

Shaft Size	Tolerance, Inches
Up to 1-1/2"	+.0000 -.0005"
1-5/8 to 4"	+.000 -.001"
4-7/16 to 6"	+.000 -.0015"
6-7/16 to 8"	+.000 -.002"

Table 18 lists the recommended tolerances for all setscrew locking, eccentric locking and D-LOK locking ball and roller bearings

Table 19: Shaft Tolerances

Shaft Size	Tolerance, Inches
Up to 1-1/2"	+.000 -.002"
1-9/16 to 2-1/2"	+.000 -.003"
2-5/8 to 4"	+.000 -.004"
4-3/16 to 6"	+.000 -.005"
6-7/16" and above	+.000 -.006"

Table 19 list the recommended tolerances for all tapered adapter sleeve ball and roller bearings

Standard Shafting-Table 17 indicates standard shafting is cold drawn in the smaller sizes and turned and polished in the larger diameters. It has a smooth surface, is commercially straight and is readily machinable; suitable and recommended for general power transmission and material handling service.

Special Shafting-While standard shafting is suitable for most installations, special shafting is sometimes required for certain chemical, temperature or physical requirements. Such materials as high carbon steel, alloy steel, stainless steel, brass, Monel metal, etc., can be furnished plain or heat treated. Stepped, flanged, hollow or other special forms are available.

Special shafting should be avoided in favor of standard shafting wherever possible because special shafting is usually considerably more expensive and requires a greater length of time to obtain, which is an especially important consideration should quick replacement ever become necessary.

Ordering Shafting-Standard shafting can be obtained from most supply houses and dealers who handle power transmission material.

Turning Down Shaft Ends-When necessary to turn down shaft ends, use as large a fillet as possible to keep the stress concentration to a minimum. The radius of this fillet should preferably be not less than the difference in the two diameters joined by the fillet. The fillet should be finished and polished as smoothly as possible to avoid scratches which might start cracks and lead to failure of the shaft by fatigue.

Selection of Shaft Diameters

Tables 20 - 23 inclusive can be used to find approximate shaft diameter for various service conditions For greater accuracy use chart under heading "Combined Torsion and Bending of Standard Shafts" (B16-19).

Tables and chart are based upon a safe shear stress of 6,000 pounds per square inch for standard keyseated shafting. Be generous in the selection of shaft diameters as liberal diameters not only reduce deflection and vibration but also generally

increase bearing life.

When necessary to use other than standard shafting, find the required diameter for standard shafting as outlined above and multiply by proper factor shown in Table 24, under heading "Factors for Shafting Other than Standard Shafting," (B16-18).

FEATURES/BENEFITS PAGE G2-2	SPECIFICATION PAGE G2-9	MODIFICATION/ACCESSORIES PAGE G2-120	RENEWAL PARTS PAGE G2-166
--------------------------------	----------------------------	---	------------------------------

Selection of Shaft Diameters (Cont'd)

Table 20: No Bending Moment (Shafts without pulleys, sprockets or gears - Torsion only)

Shaft Size	Horse Power at Various Revolutions per Minute																		
	25	50	75	100	125	150	175	200	225	250	275	300	350	400	500	600	700	800	900
15/16	0.30	0.70	1.10	1.50	1.90	2.30	2.60	3	3.40	3.80	4.20	4.60	5.30	6.10	7.70	9.20	10.70	12.30	13.80
1-3/16	0.70	1.50	2.30	3.10	3.90	4.60	5.40	6.20	7	7.80	8.60	9.30	10.90	12.50	15.60	18.70	21.90	25	28.10
1-7/16	1.30	2.70	4.10	5.50	6.90	8.30	9.70	11.10	12.40	13.80	15.20	16.60	19.40	22.20	27.70	33.30	38.80	44.40	49.90
1-11/16	2.20	4.40	6.60	8.90	11.20	13.40	15.70	17.90	20.20	22.40	24.70	26.90	31.40	35.90	44.90	53.80	62.80	71.80	80.80
1-15/16	3.30	6.70	10.10	13.50	16.90	20.30	23.70	27.10	30.50	33.90	37.30	40.70	47.50	54.30	67.90	81.50	95.10	108	122
2-3/16	4.90	9.80	14.60	19.50	24.40	29.30	34.20	39.10	44	48.90	53.80	58.60	68.40	78.20	97.80	117	136	156	176
2-7/16	6.70	13.50	20.20	27	33.80	40.60	47.30	54.10	60.90	67.60	74.40	81.20	94.70	108	135	162	189	216	243
2-11/16	9	18.10	27.10	36.20	45.30	54.40	63.40	72.50	81.60	90.70	99.70	108	126	145	181	217	253	290	326
2-15/16	11.80	23.60	35.40	47.30	59.20	71	82.90	94.70	106	118	130	142	165	189	236	284	331	379	426
3-7/16	19	37.90	57	75.90	94.90	113	132	151	170	189	208	227	265	303	379	455	531	607	683
3-15/16	28.50	57	85.50	114	142	171	199	228	256	285	313	342	399	456	570	684	798	912	1026
4-7/16	40.80	81.60	122	163	204	245	286	327	367	408	449	490	572	653	816	980	1143	1306	1470

Table 21: Limited Bending Moment (Pulleys, sprockets or gears near bearings. Ordinary line shafts.)

Shaft Size	Horse Power at Various Revolutions per Minute																		
	25	50	75	100	125	150	175	200	225	250	275	300	350	400	500	600	700	800	900
15/16	0.20	0.50	0.70	1	1.20	1.50	1.70	2	2.30	2.50	2.80	3	3.50	4.10	5.10	6.10	7.10	8.20	9.20
1-3/16	0.50	1	1.50	2	2.60	3.10	3.60	4.10	4.70	5.20	5.70	6.20	7.30	8.30	10.40	12.50	14.60	16.70	18.80
1-7/16	0.90	1.80	2.70	3.70	4.60	5.50	6.40	7.40	8.30	9.20	10.10	11.10	12.90	14.80	18.50	22.20	25.90	29.60	33.30
1-11/16	1.40	2.90	4.30	5.90	7.40	8.90	10.40	11.90	13.40	14.90	16.40	17.90	20.90	23.90	29.90	35.90	41.90	47.90	53.90
1-15/16	2.20	4.50	6.70	9	11.30	13.60	15.80	18.10	20.40	22.60	24.90	27.20	31.70	36.20	45.30	54.40	63.40	72.50	81.60
2-3/16	3.20	6.50	9.70	13	16.30	19.50	22.80	26.10	29.30	32.60	35.80	39.10	45.60	52.20	65.20	78.30	91.30	104	117
2-7/16	4.50	9	13.50	18	22.50	27	31.60	36.10	40.60	45.10	49.60	54.10	63.20	72.20	90.20	108	126	144	162
2-11/16	6	12.10	18.10	24.20	30.20	36.30	42.30	48.40	54.40	60.50	66.50	72.60	84.70	96.80	121	145	169	193	217
2-15/16	7.90	15.80	23.70	31.60	39.50	47.40	55.30	63.20	71.10	79	86.90	94.80	110	126	158	189	221	252	284
3-7/16	12.60	25.30	37.90	50.60	63.30	75.90	88.60	101	113	126	139	151	177	202	253	303	354	405	455
3-15/16	19	38	57	76.10	94.10	114	133	152	171	190	209	228	266	304	380	456	532	608	685
4-7/16	27	54	81	108	136	163	190	217	245	272	299	326	381	435	544	653	762	871	980
4-15/16	37	75	112	150	187	225	262	300	337	375	412	450	525	600	750	900	1050	1200	1350
5-7/16	50	100	150	200	250	300	350	400	451	501	551	601	701	801	1002	1202	1403	1603	1804
5-15/16	65	130	195	261	326	391	456	522	587	652	717	783	913	1044	1305	1566	1827	2088	2349
6-1/2	85	171	256	342	427	513	598	684	769	855	940	1026	1197	1368	1710	2052	2394	2736	3078

Selection of Shaft Diameters (Cont'd)

Table 22: Heavy Bending Moment. (Use for main or important shafts.)

Shaft Size	Horse Power at Various Revolutions per Minute																		
	25	50	75	100	125	150	175	200	225	250	275	300	350	400	500	600	700	800	900
1-11/16	0.80	1.70	2.50	3.50	4.40	5.30	6.20	7.10	8	8.90	9.80	10.70	12.50	14.30	17.90	21.50	25.10	28.70	32.30
1-15/16	1.30	2.70	4	5.40	6.70	8.10	9.50	10.80	12.20	13.50	14.90	16.30	19	21.70	27.10	32.60	38	43.50	48.90
2-3/16	1.90	3.90	5.80	7.80	9.70	11.70	13.70	15.60	17.60	19.50	21.50	23.40	27.40	31.30	39.10	46.90	54.80	62.60	70.40
2-7/16	2.70	5.40	8.10	10.80	13.50	16.20	18.90	21.60	24.30	27	29.70	32.40	37.90	43.30	54.10	64.90	75.80	86.60	97.40
2-11/16	3.60	7.20	10.80	14.50	18.10	21.70	25.40	29	32.60	36.20	39.90	43.50	50.80	58	72.50	87.10	101	116	130
2-15/16	4.70	9.40	14.10	18.90	23.60	28.40	33.10	37.90	42.60	47.30	52.10	56.80	66.30	75.80	94.70	113	132	151	170
3-7/16	7.50	15.10	22.60	30.30	37.90	45.50	53.10	60.70	68.30	75.90	83.50	91.10	106	121	151	182	212	243	273
3-15/16	11.40	22.80	34.20	45.60	57	68.40	79.90	91.30	102	114	125	136	159	182	228	273	319	365	410
4-7/16	16.30	32.60	48.90	65.30	81.60	98	114	130	147	163	179	196	228	261	326	392	457	522	588
4-15/16	22.50	45	67.50	90	112	135	157	180	202	225	247	270	315	360	450	540	630	720	810
5-7/16	30	60	90	120	150	180	210	240	270	300	330	360	420	480	601	721	841	961	1082
5-15/16	39	78	117	156	195	234	273	313	352	391	430	469	547	626	782	939	1095	1252	1409
6-1/2	51	102	153	205	256	308	359	410	462	513	564	616	718	821	1027	1232	1437	1643	1848
7	64	128	192	256	320	384	448	513	577	641	705	769	897	1026	1282	1539	1795	2052	2308
7-1/2	78.50	157	235	315	394	473	552	631	709	788	867	946	1104	1262	1577	1893	2208	2524	2839
8	95.50	191	286	382	478	574	670	765	861	957	1053	1148	1340	1531	1914	2297	2680	3063	3446
8-1/2	114	229	343	459	574	688	803	918	1033	1148	1263	1377	1607	1837	2296	2755	3215	3674	4133
9	136	272	408	545	681	817	954	1090	1226	1363	1499	1635	1908	2181	2726	3271	3816	4362	4907
9-1/2	160	320	480	641	801	961	1122	1282	1442	1603	1763	1923	2244	2565	3206	3847	4488	5130	5771
10	186	373	559	747	934	1121	1308	1495	1682	1869	2056	2243	2617	2991	3739	4487	5235	5983	6731

Table 23: Severe Conditions (Heavy shock loads. Excessively tight belts, long clutch sleeves.)

Shaft Size	Horse Power at Various Revolutions per Minute																		
	25	50	75	100	125	150	175	200	225	250	275	300	350	400	500	600	700	800	900
1-11/16	0.4	0.8	1.2	1.7	2.2	2.6	3.1	3.5	4	4.4	4.9	5.3	6.2	7.1	8.9	10.7	12.5	14.3	16.10
1-15/16	0.6	1.3	2	2.7	3.3	4	4.7	5.4	6.1	6.7	7.4	8.1	9.5	10.8	13.5	16.3	19	21.7	24.40
2-3/16	0.90	1.90	2.90	3.90	4.80	5.80	6.80	7.80	8.80	9.70	10.70	11.70	13.70	15.60	19.50	23.40	27.40	31.30	35.20
2-7/16	1.30	2.70	4	5.40	6.70	8.10	9.40	10.80	12.10	13.50	14.80	16.20	18.90	21.60	27	32.40	37.90	43.30	48.70
2-11/16	1.80	3.60	5.40	7.20	9	10.80	12.70	14.50	16.30	18.10	19.90	21.70	25.40	29	36.20	43.50	50.50	58	65
2-15/16	2.30	4.70	7	9.40	11.80	14.20	16.50	18.90	21.30	23.60	26	28.40	33.10	37.90	47.30	56.50	66	75.50	85
3-7/16	3.70	7.50	11.30	15.1	18.90	22.70	26.50	30.30	34.10	37.90	41.70	45.50	53	60.50	75.50	91	106	121	136
3-15/16	5.70	11.40	17.10	22.8	28.50	34.20	39.90	45.60	51	57	62.50	68	79.50	91	114	136	159	182	205
4-7/16	8.10	16.30	24.40	32.6	40.80	49	57	65	73.50	81.50	89.50	98	114	130	163	196	228	261	294
4-15/16	11.20	22.50	33.70	45	56	67.50	78.50	90	101	112	123	135	157	180	225	270	315	360	405
5-7/16	15	30	45	60	75	90	105	120	135	150	165	180	210	240	300	360	420	480	541
5-15/16	19.50	39	58.50	78	97.10	117	136	156	171	195	215	234	273	313	391	469	547	626	704
6-1/2	25.50	51	76.50	102.5	128	154	179	205	231	256	282	308	359	410	513	616	718	821	924
7	32	64.90	96	128	160	192	224	256	288	320	352	384	448	513	641	769	897	1026	1154
7-1/2	39.20	78.50	117	157	197	236	276	315	354	394	433	473	552	631	788	946	1104	1262	1419
8	47.70	95.50	143	191	239	287	335	382	430	478	526	574	670	765	957	1148	1340	1531	1723
8-1/2	57	114	171	229	287	344	401	459	516	574	631	688	803	918	1148	1377	1607	1837	2066
9	68	136	204	272	340	408	477	545	613	681	749	817	954	1090	1363	1635	1908	2181	2453
9-1/2	80	160	240	320	400	480	561	641	721	801	881	961	1122	1282	1603	1923	2244	2565	2885
10	93	186	279	373	467	560	654	747	841	934	1028	1121	1308	1495	1869	2243	2617	2991	3365

Caution Be generous in the selection of shaft diameters as liberal diameters not only reduce deflection and vibration but also generally increase bearing life. See notes on next page.

Selection of Shaft Diameters (Cont'd)

Shaft Stiffness, Shaft Deflection-Standard shafting of adequate strength usually has a sufficiently large diameter to prevent excessive deflection in ordinary installations. It is wise to select shafting of generous diameter, as the greater the diameter, the greater the stiffness. A high tensile strength alloy shaft, although stronger, is no stiffer than a standard shaft of the same diameter.

While it is sometimes possible to use an alloy shaft of less diameter than a standard shaft of equal strength, this practice is usually inadvisable, as the deflection is increased.

Shafts carrying medium or long clutch sleeves should be especially generous.

High Speed Shafts - High speed sometimes causes shaft whipping or vibration. This can be prevented by making the shaft diameter generous and the distance between bearing centers short.

Location of the bearings close to wheels and couplings is advisable whether the shaft is transmitting heavy or light loads.

The use of high tensile strength alloy shafting instead of standard shafting is of no help in preventing vibration as this will not improve the stiffness nor deflection characteristics of the shaft.

Stepped Shafts - For a heavily loaded wheel, a shaft with a boss or enlarged section under the wheel and turned to a smaller diameter at the bearings often provides the most economical installation. The two different diameters should be joined by a very generous fillet, otherwise a dangerous concentration of stress will occur at the fillet. See heading

-"Turning Down Shaft Ends." (B16-15).

Shaft Keyseats - Plain keyseats are preferable to round end keyseats in respect to causing the least concentration of stress. However, round end keyseats are often used because of design and assembly requirements. Ends left by the milling cutter should not project into babbitted or bronze bushed bearing, but may project under the sleeve of any DODGE anti-friction bearing.

Shaft diameters obtained from the tables or chart allow for the use of keyseats.

Shaft Bearings - On ordinary line shafting, bearings are commonly spaced about eight feet centers. On large diameter shafts, the spacing may be somewhat greater.

Wheels and clutches should be located near bearings to avoid dangerous bending, deflection and vibration.

Bearings should be mounted on adequate supports so that accurate alignment may be maintained. Shaft misalignment may cause shaft or bearing failure.

Shaft Couplings - Where a rigid coupling is used, it is preferable to have a bearing fairly close. Where a cutoff coupling or a flexible coupling is used, locate bearings close to each end of the coupling.

Expansion of Shafting - Where changes in the length of the shaft due to changes in temperature are to be expected and the bearings are mounted on supporting structures other than steel, consideration must be given to expansion. For more detailed information see B16-20, headed: "Expansion of Shafting."

Factors for Shafting Other Than Standard Shafting

When it is necessary to use other than standard shafting, multiply required diameter for standard shafting as found in the tables or chart by proper factor from Table 24 below.

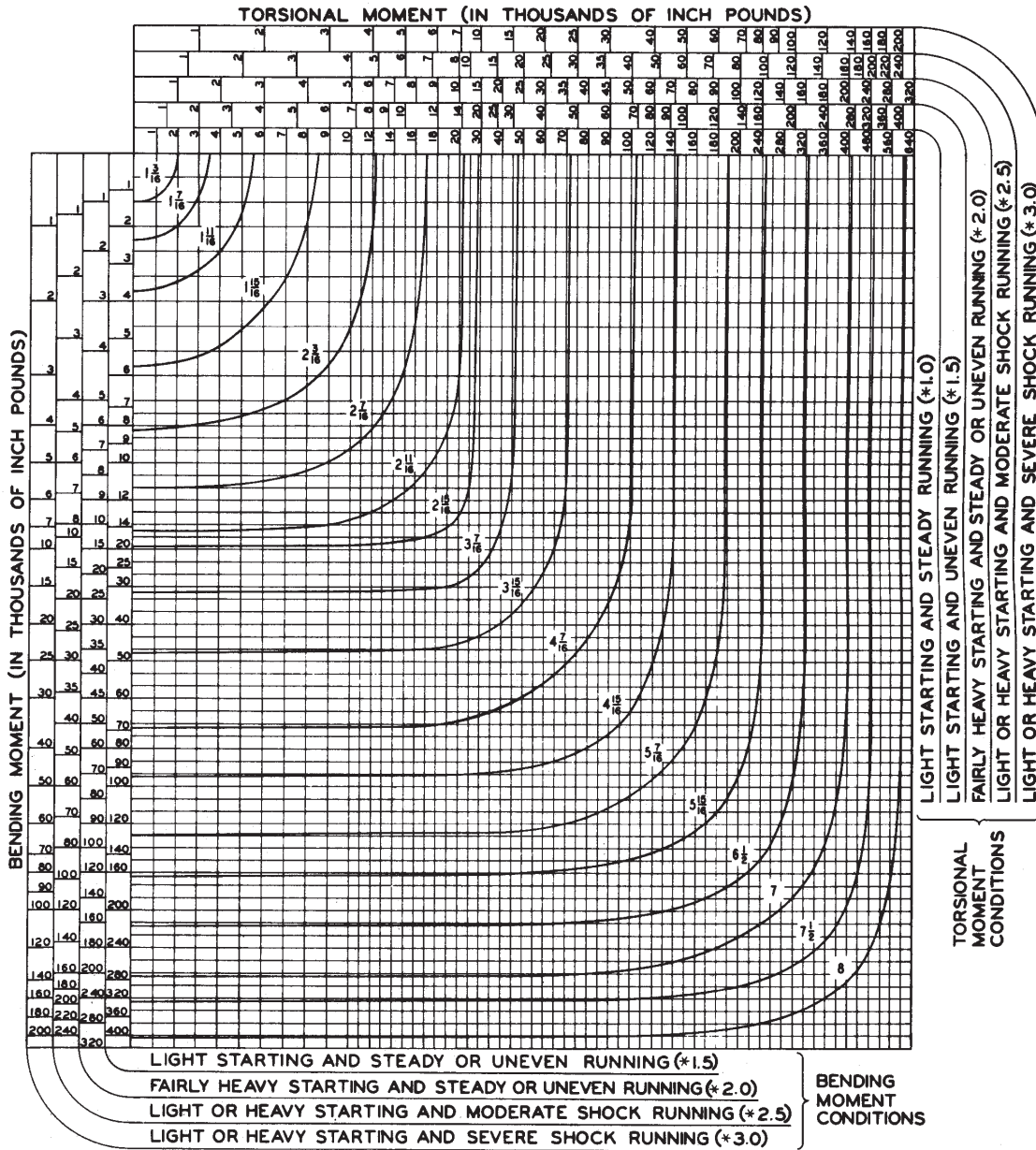
Standard keyseated shafting, using a safe shear stress of 6,000 PSI is the basis of shafting tables and chart. For safe shear stress of other materials, use 1/10 of nominal ultimate tensile strength. For example, use 8,000 for C1045 and 10,000 for 4140 keyseated shafting. When definite physical specifications are known the least of 13.5% of minimum ultimate tensile strength and 22.5% of minimum elastic limit in tension may be used for keyseated shafting; 18% and 30% respectively if not keyseated.

Caution - As the deflection of steel shafting depends upon the diameter and not upon the analysis of the steel, care should be exercised in the use of alloy shafting not to reduce the diameter unduly. Deflection should not be excessive and bearing capacities should be adequate. It is usually best to use standard shafting instead of a smaller diameter alloy shaft. The smaller alloy shaft may safely transmit the torque but often is undesirable in respect to deflection, vibration and bearing life

Table 24: Shear Stress Factors

Safe Shear Stress	Factor	Safe Shear Stress	Factor	Safe Shear Stress	Factor	Safe Shear Stress	Factor	Safe Shear Stress	Factor
500	2.289	3,000	1.260	5,500	1.029	9,000	.874	14,000	.754
1,000	1.817	3,500	1.197	6,000	1.000	10,000	.843	15,000	.737
1,500	1.587	4,000	1.145	6,500	.974	11,000	.817	16,000	.721
2,000	1.442	4,500	1.101	7,000	.950	12,000	.794	17,000	.707
2,500	1.339	5,000	1.063	8,000	.909	13,000	.773	18,000	.693

**Combine Torsion and Bending of Standard Shaft
(Based on a Safe Shear Stress of 6,000 PS for Keyseated Shafting)**



Example: Engine extension shaft driving single cylinder compressor, 15,000 pound-inches torsional moment, 14,000 pound-inches bending moment. Because of the heavy shock running load conditions use scales designated "Light or Heavy Starting and Severe Shock Running". Project a line down from 15,000 torsional moment. Project a line to the right from 14,000 bending moment. The two lines intersect between 3-7/16 and 3-15/16 curves. Use 3-15/16 standard shafting.

Note: The above chart is based on ASME approved standard ASA-B17C-1927 withdrawn in 1954. If the latest shaft selection analysis is required refer to ANSI/ASME B106.1M-1985.

Note: If considering use of other shafting material refer to "Selection of Shaft Diameters" on page B16-18.

FEATURES/BENEFITS PAGE G2-2	SPECIFICATION PAGE G2-9	MODIFICATION/ACCESSORIES PAGE G2-120	RENEWAL PARTS PAGE G2-166
--------------------------------	----------------------------	---	------------------------------

Expansion of Shafting

Provision should be made to permit the free movement of shafting endwise due to temperature changes. One bearing should serve as an anchor bearing to locate the shaft endwise. All other bearings should permit the shaft to move freely endwise.

The anchor bearing is often located near an important wheel. On long shafts it should preferably be located near the center of the shaft to keep the expansion of the two ends to a minimum. If the anchor bearing is babbitted it should be fitted with collars. If it is an anti-friction bearing it should be of the non-expansion type, which is the designation of DODGE roller and ball bearings for use as anchor bearings.

All bearings on the shafting other than the anchor bearing should permit the shaft to move freely endwise. If babbitted there should be no thrust collars. If anti-friction these bearings should be of the expansion type.

Several shafts firmly fastened together expand as if one continuous shaft. An example of this is line shafting with flange couplings. If the expansion is considered excessive a long line shaft may be split into two or more sections, the sections being connected with expansion couplings.

Amount of Expansion to be provided for-

The amount of shaft expansion is given in Table 25 below. For example, with a 100°F temperature rise on a 150 ft. line shaft with the anchor bearing located 70 ft. from one end and 80 ft. from the other end the ends will move .529" and .605"

respectively away from the anchor bearing. The structure supporting the bearings may also expand but usually not as rapidly and as much as the shafting. Several cases follow:

Case 1 - Bearings supported on steel structures, where the shaft and structure are exposed to the same temperatures, will expand at the same rate. Expansion allowance is usually not required. If the shaft is exposed to a higher temperature than the support, allowances should be made. For example, if the shaft temperature is expected to change 80°, and the temperature of the structure 60°, the resulting movement between shafting and support ends will be equivalent to a 20° change.

Case 2 - For bearings supported on wood, brick, or concrete walls, or on piers with foundations in the ground, the amount of expansion is usually considered negligible. Therefore, the full amount of shafting expansion as calculated in Table 25 below, may be accommodated.

Case 3 - Certain structural designs have built-in flexibility. Where this is the case, expansion type bearings are not necessary.

Case 4 - Short shafts with only two bearings are usually designed without compensation for expansion, if temperature variations are not excessive.

Advice on Expansion Problems-

DODGE power transmission engineers will gladly make recommendations concerning shaft expansion problems and the use of suitable bearings.

Table 25: Linear Expansion of Steel Shafting

Base on Expansion In Inches = 0.0000063 x 12 x Length in Feet x Temp. Increase in Degrees Fahrenheit

Length (Feet)	Temperature Increase-Degrees F.					Length (Feet)	Temperature Increase-Degrees F.				
	20°	40°	60°	80°	100°		20°	40°	60°	80°	100°
1	.0015	.0030	.0045	.0060	.0075	40	.060	.121	.181	.242	.302
2	.0030	.0060	.0091	.0121	.0151	45	.068	.136	.204	.272	.340
3	.0045	.0091	.0136	.0181	.0227	50	.076	.151	.227	.302	.378
4	.0060	.0121	.0181	.0242	.0302	55	.083	.166	.249	.333	.416
5	.0076	.0151	.0227	.0302	.0378	60	.091	.181	.272	.363	.454
6	.0091	.0181	.0272	.0363	.0454	65	.098	.197	.295	.393	.491
7	.0106	.0212	.0318	.0423	.0529	70	.106	.212	.317	.423	.529
8	.0121	.0242	.0363	.0484	.0605	75	.113	.227	.340	.454	.567
9	.0136	.0272	.0408	.0544	.0680	80	.121	.242	.363	.484	.605
10	.0151	.0302	.0454	.0605	.0756	85	.129	.257	.386	.514	.643
12	.0181	.0363	.0544	.0726	.0907	90	.136	.272	.408	.544	.680
14	.0212	.0423	.0635	.0847	.1058	95	.144	.287	.431	.575	.718
16	.024	.048	.073	.097	.121	100	.151	.302	.454	.605	.756
18	.027	.054	.082	.109	.136	110	.166	.333	.499	.665	.832
20	.030	.060	.091	.121	.151	120	.181	.363	.544	.726	.907
25	.038	.076	.113	.151	.189	130	.197	.393	.590	.786	.983
30	.045	.091	.136	.181	.227	140	.212	.423	.635	.847	1.058
35	.053	.106	.158	.212	.265	150	.227	.454	.680	.907	1.134

Weights and Properties of Steel Shafting

Table 26: Weight of Round Steel Shafting

Shaft Size	Weight of Shafting for Various Lengths in feet																	Weight Per In.
	1	2	3	4	5	6	7	8	9	10	12	14	16	18	20	22	24	
3/4	1.5	3.0	4.5	6.0	7.5	9.0	10.5	12.0	13.5	15	18	21	24	27	30	33	36	.125
7/8	2.0	4.0	6.1	8.1	10.2	12.2	14.3	16.3	18.4	20	25	29	33	37	41	45	49	.170
*15/16	2.3	4.7	7.0	9.4	11.7	14.1	16.5	18.8	21.2	23	28	33	38	42	47	52	56	.195
1	2.7	5.3	8.0	10.6	13.3	16.0	18.6	21.3	24.0	27	32	37	43	48	53	59	64	.223
1-1/8	3.4	6.8	10.0	13.4	16.7	20.1	23.4	26.7	30.1	34	41	47	54	61	68	74	81	.281
*1-3/16	3.8	7.6	11.3	15.1	18.9	22.6	26.4	30.1	34.0	38	45	53	60	68	75	83	90	.314
1-1/4	4.2	8.3	12.5	16.7	20.8	25.0	29.2	33.3	37.5	42	50	58	67	75	83	92	100	.348
1-3/8	5.0	10.1	15.3	20.2	25.3	30.3	35.4	40.4	45.4	50	60	71	81	91	101	111	121	.420
*1-7/16	5.5	11	17	22	28	33	39	44	50	55	66	77	88	99	110	121	133	.460
1-1/2	6.0	12	18	24	30	36	42	48	54	60	72	84	96	108	120	132	144	.500
*1-11/16	7.6	15	23	30	38	46	53	61	68	76	91	107	122	137	152	167	183	.634
*1-15/16	10.0	20	30	40	50	60	70	80	90	100	120	140	161	181	201	221	241	.835
2	10.7	21	32	43	53	64	75	85	96	107	128	150	171	192	214	235	256	.890
*2-3/16	12.8	26	38	51	64	77	90	102	115	128	153	179	205	230	256	281	307	1.06
*2-7/16	15.9	32	48	63	79	95	111	127	143	159	190	222	254	286	317	349	381	1.32
2-1/2	16.7	34	50	67	83	100	117	134	150	167	200	234	267	301	334	367	401	1.39
*2-11/16	19.3	39	58	77	97	116	135	154	174	193	232	270	309	348	386	425	463	1.61
*2-15/16	23.0	46	69	92	115	138	161	184	208	231	277	323	369	415	461	507	553	1.92
*3-7/16	31.6	63	95	126	158	189	221	253	284	316	379	442	505	568	631	695	758	2.63
*3-15/16	41.4	83	124	166	207	248	290	331	373	414	497	580	662	745	828	911	994	3.45
*4-7/16	52.6	105	158	210	263	315	368	421	473	526	631	736	841	946	1052	1157	1262	4.38
*4-15/16	65.1	130	195	260	326	391	456	521	586	651	781	911	1041	1172	1302	1432	1562	5.42
*5-7/16	79.0	158	237	316	395	474	553	632	711	790	947	1105	1263	1421	1579	1737	1894	6.58
*6	96	192	288	384	481	577	673	769	865	961	1154	1346	1538	1730	1923	2115	2307	8.01

* **Recommended Diameters** These shaft diameters are recommended for use whenever possible as various transmission items such as couplings, collars, clutches, pulleys, etc., are carried in stock in these sizes, at least up to 3-15/16", in the principal cities throughout the United States.

Table 27: Weight and Properties of Round Steel Shafting

Shaft Size	Weight per Inch	Section Modulus		Moment of Inertia		Shaft Size	Weight per Inch	Section Modulus		Moment of Inertia	
		Bending	Torsion	Bending	Torsion			Bending	Torsion	Bending	Torsion
1/16	.00087	.000024	.000048	.000001	.000002	2-7/16	1.32	1.422	2.844	1.733	3.466
1/8	.0035	.000192	.000383	.000012	.000024	2-1/2	1.39	1.534	3.068	1.918	3.835
3/16	.0078	.000647	.001294	.000061	.000121	2-9/16	1.46	1.652	3.304	2.117	4.233
1/4	.0139	.001534	.003068	.000192	.000383	2-5/8	1.53	1.776	3.552	2.331	4.661
5/16	.0217	.002996	.005992	.000468	.000936	2-11/16	1.61	1.906	3.811	2.561	5.122
3/8	.0313	.005177	.010354	.000971	.001941	2-3/4	1.68	2.042	4.084	2.807	5.615
7/16	.0425	.008221	.016442	.001798	.003597	2-13/16	1.76	2.184	4.368	3.071	6.143
1/2	.0556	.0123	.0245	.0031	.0061	2-7/8	1.84	2.333	4.666	3.354	6.707
9/16	.0703	.0175	.0349	.0049	.0098	2-15/16	1.92	2.489	4.977	3.655	7.310
5/8	.0868	.0240	.0479	.0075	.0150	3	2.00	2.651	5.301	3.976	7.952
11/16	.1051	.0319	.0638	.0110	.0219	3-1/16	2.08	2.820	5.640	4.318	8.636
3/4	.125	.0414	.0828	.0155	.0311	3-1/8	2.17	2.996	5.992	4.681	9.363
13/16	.1467	.0527	.1053	.0214	.0428	3-3/16	2.26	3.179	6.359	5.067	10.13
7/8	.1701	.0658	.1315	.0288	.0575	3-1/4	2.35	3.370	6.740	5.477	10.95
15/16	.1954	.0809	.1618	.0379	.0758	3-5/16	2.44	3.568	7.137	5.910	11.82
1	.22	.0982	.1963	.0491	.0982	3-3/8	2.53	3.774	7.548	6.369	12.74
1-1/16	.25	.1178	.2355	.0626	.1251	3-7/16	2.63	3.988	7.976	6.854	13.71
1-1/8	.28	.1398	.2796	.0786	.1573	3-1/2	2.72	4.209	8.419	7.366	14.73
1-3/16	.31	.1644	.3288	.0976	.1952	3-9/16	2.82	4.439	8.878	7.907	15.81
1-1/4	.35	.1917	.3835	.1198	.2397	3-5/8	2.92	4.677	9.353	8.476	16.95
1-5/16	.38	.2220	.4439	.1457	.2913	3-11/16	3.02	4.923	9.845	9.076	18.15
1-3/8	.42	.2552	.5104	.1755	.3509	3-3/4	3.13	5.177	10.35	9.707	19.41
1-7/16	.46	.2916	.5832	.2096	.4192	3-13/16	3.23	5.440	10.88	10.37	20.74
1-1/2	.50	.3313	.6627	.2485	.4970	3-7/8	3.34	5.712	11.42	11.07	22.14
1-9/16	.54	.3745	.7490	.2926	.5852	3-15/16	3.45	5.993	11.99	11.80	23.60
1-5/8	.59	.4213	.8425	.3423	.6846	4	3.56	6.283	12.57	12.57	25.13
1-11/16	.63	.4718	.9435	.3981	.7961	4-1/16	3.67	6.582	13.16	13.37	26.74
1-3/4	.68	.5262	1.052	.4604	.9208	4-1/8	3.78	6.891	13.78	14.21	28.42
1-13/16	.73	.5846	1.169	.5298	1.060	4-3/16	3.90	7.209	14.42	15.09	30.19
1-7/8	.78	.6471	1.294	.6067	1.213	4-1/4	4.01	7.536	15.07	16.01	32.03
1-15/16	.83	.7140	1.428	.6917	1.384	4-5/16	4.13	7.874	15.75	16.98	33.96
2	.89	.7854	1.571	.7854	1.571	4-3/8	4.25	8.221	16.44	17.98	35.97
2-1/16	.94	.8614	1.723	.8883	1.777	4-7/16	4.38	8.579	17.16	19.03	38.07
2-1/8	1.00	.9421	1.884	1.001	2.002	4-1/2	4.50	8.946	17.89	20.13	40.26
2-3/16	1.06	1.028	2.055	1.124	2.248	4-9/16	4.63	9.324	18.65	21.27	42.54
2-1/4	1.13	1.118	2.237	1.258	2.516	4-5/8	4.75	9.713	19.43	22.46	44.92
2-5/16	1.19	1.214	2.428	1.404	2.808	4-11/16	4.88	10.11	20.22	23.70	47.40
2-3/8	1.25	1.315	2.630	1.562	3.124	4-3/4	5.01	10.52	21.04	24.99	49.98

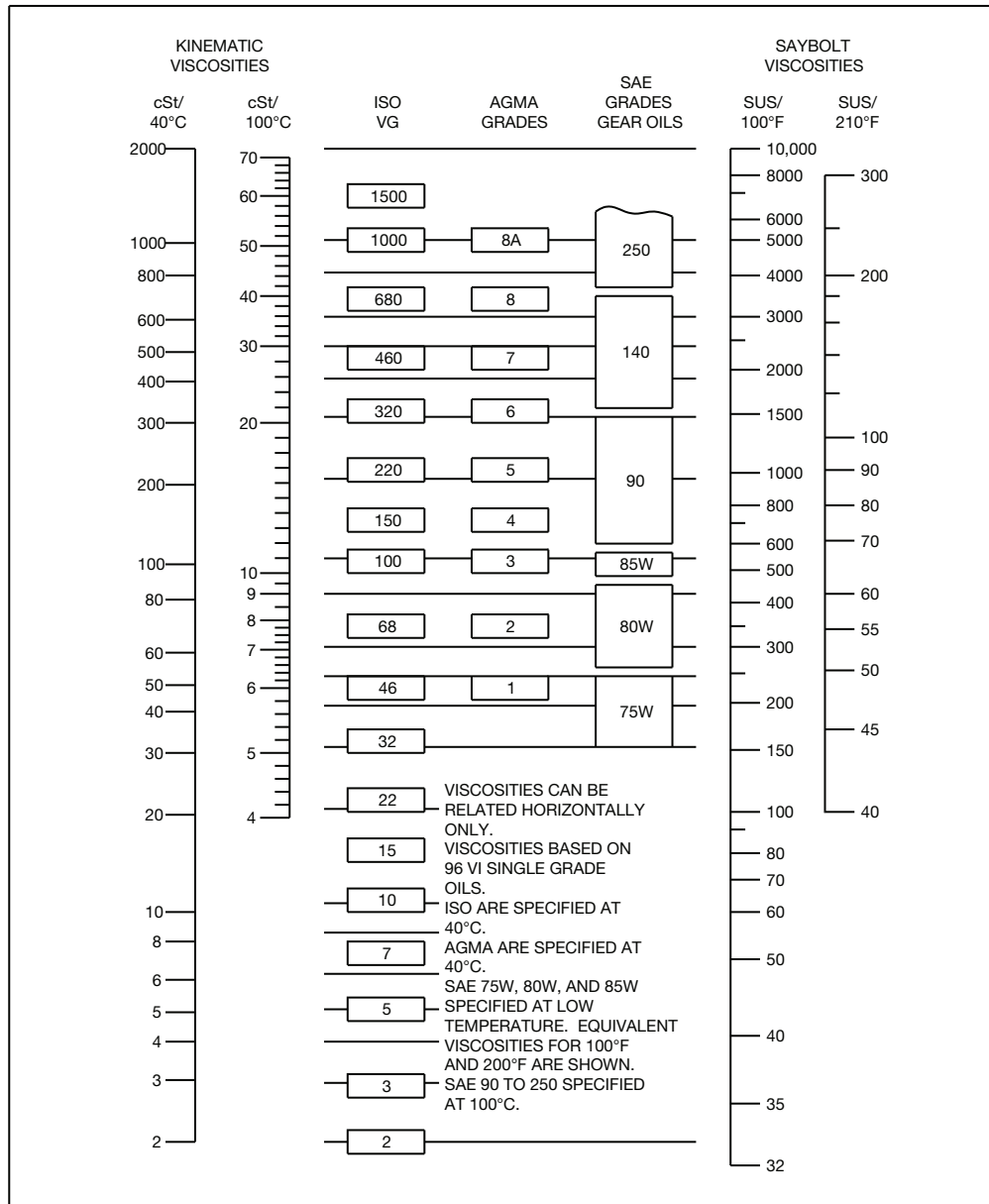
FEATURES/BENEFITS PAGE G2-2	SPECIFICATION PAGE G2-9	MODIFICATION/ACCESSORIES PAGE G2-120	RENEWAL PARTS PAGE G2-166
--------------------------------	----------------------------	---	------------------------------

Table 27: Weight and Properties of Round Steel Shafting

Shaft Size	Weight per Inch	Section Modulus		Moment of Inertia		Shaft Size	Weight per Inch	Section Modulus		Moment of Inertia	
		Bending	Torsion	Bending	Torsion			Bending	Torsion	Bending	Torsion
4-13/16	5.15	10.94	21.88	26.33	52.66	13-1/2	40.50	241.50	483.10	1630	3261
4-7/8	5.28	11.37	22.75	27.72	55.45	13-3/4	42.00	255.20	510.40	1755	3509
4-15/16	5.42	11.82	23.63	29.17	58.35	14	43.60	269.40	538.80	1886	3771
5	5.56	12.27	24.54	30.68	61.36	14-1/4	45.10	284.10	568.20	2024	4048
5-1/16	5.70	12.74	25.48	32.24	64.49	14-1/2	46.70	299.30	598.60	2170	4340
5-1/8	5.84	13.22	26.43	33.86	67.73	14-3/4	48.40	315.00	630.10	2324	4647
5-3/16	5.98	13.70	27.41	35.55	71.09	15	50.00	331.30	662.70	2485	4970
5-1/4	6.13	14.21	28.41	37.29	74.58	15-1/4	51.70	348.20	696.40	2655	5310
5-5/16	6.27	14.72	29.44	39.10	78.20	15-1/2	53.40	365.60	731.20	2833	5667
5-3/8	6.42	15.25	30.49	40.97	81.94	15-3/4	55.10	383.60	767.10	3021	6041
5-7/16	6.58	15.78	31.57	42.91	85.82	16	56.90	402.10	804.20	3217	6434
5-1/2	6.72	16.33	32.67	44.92	89.84	16-1/4	58.70	421.30	842.50	3422	6846
5-9/16	6.88	16.90	33.79	46.99	93.99	16-1/2	60.50	441.00	882.00	3638	7277
5-5/8	7.03	17.47	34.95	49.14	98.29	16-3/4	62.40	461.40	922.70	3864	7728
5-11/16	7.19	18.06	36.12	51.36	102.70	17	64.20	482.30	964.70	4100	8200
5-3/4	7.35	18.66	37.33	53.66	107.30	17-1/4	66.10	503.90	1008	4346	8693
5-13/16	7.51	19.28	38.56	56.03	112.10	17-1/2	68.10	526.20	1052	4604	9208
5-7/8	7.67	19.91	39.82	58.48	117.00	17-3/4	70.00	549.10	1098	4873	9745
5-15/16	7.84	20.55	41.10	61.01	122.00	18	72.00	572.60	1145	5153	10306
6	8.00	21.21	42.41	63.62	127.20	18-1/4	74.00	596.70	1193	5445	10891
6-1/16	8.17	21.88	43.75	66.31	132.60	18-1/2	76.10	621.60	1243	5750	11500
6-1/8	8.34	22.56	45.12	69.09	138.20	18-3/4	78.10	647.10	1294	6067	12134
6-3/16	8.51	23.26	46.51	71.95	143.90	19	80.20	673.40	1347	6397	12794
6-1/4	8.68	23.97	47.94	74.90	149.80	19-1/4	82.40	700.30	1401	6741	13481
6-5/16	8.86	24.69	49.39	77.94	155.90	19-1/2	84.50	728.00	1456	7098	14195
6-3/8	9.03	25.44	50.87	81.08	162.20	19-3/4	86.70	756.30	1513	7469	14937
6-7/16	9.21	26.19	52.38	84.30	168.60	20	88.90	785.40	1571	7854	15708
6-1/2	9.39	26.96	53.92	87.62	175.20	20-1/4	91.10	815.20	1630	8254	16508
6-5/8	9.76	28.55	57.09	94.56	189.10	20-1/2	93.40	845.80	1692	8669	17339
6-3/4	10.10	30.19	60.39	101.90	203.80	20-3/4	95.70	877.10	1754	9100	18200
6-7/8	10.50	31.90	63.80	109.70	219.30	21	98.00	909.20	1818	9547	19093
7	10.90	33.67	67.35	117.90	235.70	21-1/4	100.40	942.10	1884	10009	20019
7-1/8	11.30	35.51	71.02	126.50	253.00	21-1/2	102.70	975.70	1951	10489	20978
7-1/4	11.70	37.41	74.82	135.60	271.20	21-3/4	105.10	1010	2020	10985	21970
7-3/8	12.10	39.38	78.76	145.20	290.40	22	107.60	1045	2091	11499	22998
7-1/2	12.50	41.42	82.84	155.30	310.60	22-1/4	110.00	1081	2163	12031	24061
7-5/8	12.90	43.52	87.05	165.90	331.90	22-1/2	112.50	1118	2237	12581	25161
7-3/4	13.30	45.70	91.40	177.10	354.20	22-3/4	115.00	1156	2312	13149	26298
7-7/8	13.80	47.95	95.89	188.80	377.60	23	117.60	1194	2389	13737	27473
8	14.30	50.27	100.50	201.10	402.10	23-1/4	120.10	1234	2468	14344	28687
8-1/8	14.70	52.66	105.30	213.90	427.90	23-1/2	122.70	1274	2548	14971	29941
8-1/4	15.10	55.13	110.30	227.40	454.80	23-3/4	125.40	1315	2630	15618	31236
8-3/8	15.60	57.67	115.30	241.50	483.00	24	128.00	1357	2714	16286	32572
8-1/2	16.10	60.29	120.60	256.20	512.50	24-1/4	130.70	1400	2800	16975	33951
8-5/8	16.50	62.99	126.00	271.60	543.30	24-1/2	133.40	1444	2888	17686	35372
8-3/4	17.00	65.77	131.60	287.70	575.50	24-1/4	136.20	1488	2977	18419	36838
8-7/8	17.50	68.63	137.30	304.50	609.10	25	138.90	1534	3068	19175	38350
9	18.00	71.57	143.10	322.10	644.10	25-1/4	141.70	1580	3161	19954	39907
9-1/8	18.50	74.59	149.20	340.30	680.70	25-1/2	144.50	1628	3256	20755	41511
9-1/4	19.00	77.70	155.40	359.40	718.70	25-3/4	147.40	1676	3352	21581	43163
9-3/8	19.50	80.89	161.80	379.20	758.40	26	150.30	1726	3451	22432	44864
9-1/2	20.10	84.17	168.30	399.80	799.60	26-1/4	153.20	1776	3552	23307	46614
9-5/8	20.60	87.54	175.10	421.30	842.60	26-1/2	156.10	1827	3654	24208	48415
9-3/4	21.10	90.99	182.00	443.60	887.20	26-3/4	159.00	1879	3758	25134	50268
9-7/8	21.70	94.54	189.10	466.80	933.60	27	162.00	1932	3865	26087	52174
10	22.20	98.17	196.30	490.90	981.70	27-1/2	168.10	2042	4083	28074	56148
10-1/4	23.40	105.72	211.40	541.80	1084	28	174.30	2155	4310	30172	60344
10-1/2	24.50	113.65	227.30	596.70	1193	28-1/2	180.50	2273	4545	32385	64771
10-3/4	25.70	121.96	243.90	655.50	1311	29	186.90	2394	4789	34719	69437
11	26.90	130.67	261.30	718.70	1437	29-1/2	193.40	2520	5041	37176	74351
11-1/4	28.10	139.78	279.60	786.30	1573	30	200.00	2651	5301	39761	79522
11-1/2	29.40	149.31	298.60	858.50	1717	30-1/2	206.80	2785	5571	42479	84957
11-3/4	30.70	159.26	318.50	935.70	1871	31	213.60	2925	5849	45333	90666
12	32.00	169.65	339.30	1018	2036	31-1/2	220.50	3069	6137	48329	96659
12-1/4	33.40	180.47	360.90	1105	2211	32	227.60	3217	6434	51472	102944
12-1/2	34.70	191.75	383.50	1198	2397	32-1/2	234.80	3370	6740	54765	109530
12-3/4	36.10	203.48	407.00	1297	2594	33	242.10	3528	7056	58214	116428
13	37.60	215.69	431.40	1402	2804	34	256.90	3859	7717	65597	131194
13-1/4	39.00	228.37	456.70	1513	3026	35	272.30	4209	8418	73662	147324

Viscosity Classification Equivalents

OIL VISCOSITY EQUIVALENCY CHART



ISO VISCOSITY CLASSIFICATION SYSTEM

All industrial oils are graded according to the ISO Viscosity Classification System, approved by the International Standards Organizations (ISO). Each ISO viscosity grade number corresponds to the mid-point of viscosity range expressed in centistokes (cSt) at 40°C. For example, a lubricant with an ISO grade of 32 has a viscosity within the range of 28.80-35.2, the midpoint of which is 32.

Rule-of-Thumb: The comparable ISO grade of a competitive product whose viscosity in SUS at 100°F is known can be determined by using the following conversion formula:

$$\text{SUS @ 100° F} \div 5 = \text{cSt @ 40°C}$$

English Standard Measures

Long Measure

1 mile = 1760 yards = 5280 feet.
 1 yard = 3 feet = 36 inches.
 1 foot = 12 inches.

Surveyor's Measure

1 mile = 8 furlongs = 80 chains.
 1 furlong = 10 chains = 220 yards.
 1 chain = 4 rods = 22 yards = 66 feet = 100 links.
 1 link = 7.92 inches.

Square Measure

1 square mile = 640 acres = 6400 square chains.
 1 acre = 10 square chains = 4840 square yards = 43,560 square feet.
 1 square chain = 16 square rods = 484 square yards = 4356 square feet.
 1 square rod = 30.25 square yards = 272.25 square feet = 625 square links.
 1 square yard = 9 square feet.
 1 square foot = 144 square inches.
 An acre is equal to a square, the side of which is 208.7 feet.

Dry Measure

1 bushel (U.S. or Winchester struck bushel) = 1.2445 cubic foot = 2150.42 cubic inches.
 1 bushel = 4 pecks = 32 quarts = 64 pints.
 1 peck = 8 quarts = 16 pints.
 1 quart = 2 pints.
 1 heaped bushel = 1 1/4 struck bushel.
 1 cubic foot = 0.8036 struck bushel.
 1 British Imperial bushel = 8 Imperial gallons = 1.2837 cubic foot = 2218.19 cubic inches.

Liquid Measure

1 U.S. gallon = 0.1337 cubic foot = 231 cubic inches = 4 quarts = 8 pints.
 1 quart = 2 pints = 8 gills.
 1 pint = 4 gills.
 1 British Imperial gallon = 1.2003 U.S. gallon = 277.27 cubic inches.
 1 cubic foot = 7.48 U.S. gallons.

Circular and Angular Measure

60 seconds (") = 1 minute (')
 60 minutes = 1 degree (-)
 360 degrees = 1 circumference (C)
 57.3 degrees = 1 radian
 2 π radians = 1 circumference (C)

Specific Gravity

The specific gravity of a substance is its weight as compared with the weight of an equal bulk of pure water.
 For making specific gravity determinations the temperature of the water is usually taken at 62° F. when 1 cubic foot of water weighs 62.355 lbs. Water is at its greatest density at 39.20° F. or 4° Centigrade.

Temperature

The following equation will be found convenient for transforming temperature from one system to another:
 Let F = degrees Fahrenheit; C = degrees Centigrade; R = degrees Reamur.

$$F - 32 = \frac{C}{9} \times 5$$

 180 100 80

Avoirdupois or Commercial Weight

1 gross or long ton = 2240 pounds.
 1 net or short ton = 2000 pounds.
 1 pound = 16 ounces = 7000 grains.
 1 ounce = 16 drams = 437.5 grains.

Measures of Pressure

1 pound per square inch = 144 pounds per square foot = 0.068 atmosphere = 2.042 inches of mercury at 62 degrees F. = 27.7 inches of water at 62 degrees F. = 2.31 feet of water at 62 degrees F.
 1 atmosphere = 30 inches of mercury at 62 degrees F. = 14.7 pounds per square inch = 2116.3 pounds per square foot = 33.95 feet of water at 62 degrees F.
 1 foot of water at 62 degrees F. = 62.355 pounds per square foot = 0.433 pound per square inch.
 1 inch of mercury at 62 degrees F. = 1.132 foot of water = 13.58 inches of water = 0.491 pound per square inch.
 Column of water 12 in. high, 1 in. dia. = .341 lbs.

Cubic Measure

1 cubic yard = 27 cubic feet.
 1 cubic foot = 1728 cubic inches.
 The following measures are also used for wood and masonry:
 1 cord of wood = 4 X 4 X 8 feet = 128 cubic feet.
 1 perch of masonry = 16-1/2 X 1-1/2 X 1 foot = 24-3/4 cubic feet.

Shipping Measure

For measuring entire internal capacity of a vessel: 1 register ton = 100 cubic feet.
 For measurement of cargo:
 1 U.S. shipping ton = 40 cubic feet = 32.143 U.S. bushels = 31.16 Imperial bushels.
 British shipping ton = 42 cubic feet = 33.75 U.S. bushels = 32.72 Imperial bushels.

Troy Weight, Used for Weighing Gold and Silver

1 pound = 12 ounces = 5760 grains.
 1 ounce = 20 pennyweights = 480 grains.
 1 pennyweight = 24 grains.
 1 carat (used in weighing diamonds) = 3.086 grains.
 1 grain Troy = 1 grain avoirdupois = 1 grain apothecaries' weight.

Measure Used for Diameters and Areas of Electric Wires

1 circular inch = area of circle 1 inch in diameter = 0.7854 square inch.
 1 circular inch = 1,000,000 circular mils.
 1 square inch = 1.2732 circular inch = 1,273,239 circular mils.
 A circular mil is the area of a circle 0.001 inch in diameter.

Board Measure

One foot board measure is a piece of wood 12 inches square by 1 inch thick, or 144 cubic inches. 1 cubic foot therefore equals 12 feet board measure

ENGINEERING

TABLE 28: Decimal and Millimeter Equivalents of Fractions

Inches			Milli-meters	Inches		Milli-meters	Inches		Milli-meters		
Fractions	Decimals	Fractions		Decimals	Fractions		Decimals				
1/64		.015625	.397		11/32	.34375	8.7319		11/16	.6875	17.463
	1/32	.03125	.794	23/64		.359375	9.128	45/64		.703125	17.859
3/64		.046875	1.191		3/8	.375	9.525		23/32	.71875	18.256
	1/16	.0625	1.588	25/64		.390625	9.922	47/64		.734375	18.653
5/64		.078125	1.984		13/32	.40625	10.319		3/4	.750	19.050
	3/32	.09375	2.381	27/64		.421875	10.716	49/64		.765625	19.447
7/64		.109375	2.778		7/16	.4375	11.113		25/32	.78125	19.844
	1/8	.125	3.175	29/64		.453125	11.509	51/64		.796875	20.241
9/64		.140625	3.582		15/32	.46875	11.906		13/16	.8125	20.638
	5/32	.15625	3.969	31/64		.48376	12.303	53/64		.828125	21.034
11/64		.171875	4.366		1/2	.500	12.700		27/32	.84375	21.431
	3/16	.1875	4.763	33/64		.515625	13.097	55/64		.859375	21.828
13/64		.203125	5.159		17/32	.53125	13.494		7/8	.875	22.225
	7/32	.21875	5.556	35/64		.546875	13.891	57/64		.890625	22.622
15/64		.234375	5.953		9/16	.5625	14.288		29/32	.90524	23.019
	1/41	.250	6.350	37/64		.578125	14.684	59/64		.921875	23.416
7/64		.265625	6.747		19/32	.59375	14.081		15/16	.9375	23.813
	9/32	.28125	7.144	39/64		.609375	15.478	61/64		.953125	24.209
19/64		.296875	7.541		5/8	.625	15.875		31/32	.96875	24.606
	5/16	.3125	7.938	41/64		.60625	16.272	63/64		.984375	25.003
21/64		.328125	8.334		21/32	.65625	16.669		1	1.000	25.400
				43/64		.671875	17.066				

Table 29: Millimeter-Inch Equivalents: 1" = 25.4mm (.03937" = 1mm)

Millimeter	Decimal	Millimeter	Decimal	Millimeter	Decimal	Millimeter	Decimal	Millimeter	Decimal
1	.03937	52	2.04724	103	4.05511	154	6.06299	205	8.07086
2	.07874	53	2.08661	104	4.09448	155	6.10236	206	8.11023
3	.11811	54	2.12598	105	4.13385	156	6.14173	207	8.14960
4	.15748	55	2.16535	106	4.17322	157	6.18110	208	8.18897
5	.19685	56	2.20472	107	4.21259	158	6.22047	209	8.22834
6	.23622	57	2.24409	108	4.25196	159	6.25984	210	8.26771
7	.27559	58	2.28346	109	4.29133	160	6.29921	211	8.30708
8	.31496	59	2.32283	110	4.33070	161	6.33858	212	8.34645
9	.35433	60	2.36220	111	4.37007	162	6.37795	213	8.38582
10	.39370	61	2.40157	112	4.40944	163	6.41732	214	8.42519
11	.43307	62	2.44094	113	4.44881	164	6.45669	215	8.46456
12	.47244	63	2.48031	114	4.48818	165	6.49606	216	8.50393
13	.51181	64	2.51968	115	4.52755	166	6.53543	217	8.54330
14	.55118	65	2.55905	116	4.56692	167	6.57480	218	8.58267
15	.59055	66	2.59842	117	4.60629	168	6.61417	219	8.62204
16	.62992	67	2.63779	118	4.64566	169	6.65354	220	8.66141
17	.66929	68	2.67716	119	4.68503	170	6.69291	221	8.70078
18	.70866	69	2.71653	120	4.72440	171	6.73228	222	8.74015
19	.74803	70	2.75590	121	4.76378	172	6.77165	223	8.77952
20	.78740	71	2.79527	122	4.80315	173	6.81102	224	8.81889
21	.82677	72	2.83464	123	4.84252	174	.685039	225	8.85826
22	.86614	73	2.87401	124	4.88189	175	6.88976	226	8.89763
23	.90551	74	2.91338	125	4.92126	176	6.92913	227	8.93700
24	.94488	75	2.95275	126	4.96063	177	.696850	228	8.97637
25	.98425	76	2.99212	127	5.00000	178	7.00787	229	9.01574
26	1.02362	77	3.03149	128	5.03937	179	7.04724	230	9.05511
27	1.06299	78	3.07086	129	5.07875	180	7.08661	231	9.09448
28	1.10236	79	3.11023	130	5.11811	181	7.12598	232	9.13385
29	1.14173	80	3.14960	131	5.15749	182	7.16535	233	9.17322
30	1.18110	81	3.18897	132	5.19685	183	7.20472	234	9.21259
31	1.22047	82	3.22834	133	5.23622	184	7.24409	235	9.25196
32	1.25984	83	3.26771	134	5.27559	185	7.28346	236	9.29133
33	1.29921	84	.303708	135	5.31496	186	7.32283	237	9.33070
34	1.33858	85	3.34645	136	5.35433	187	7.36220	238	9.37007
35	1.37795	86	3.38582	137	5.39370	188	7.40157	239	9.40944
36	1.41732	87	.342519	138	.543307	189	7.44094	240	9.44881
37	1.45669	88	3.46456	139	.547244	190	7.48031	241	9.48818
38	1.49606	89	3.50393	140	5.51181	191	7.51968	242	9.52755
39	1.53543	90	3.54330	141	5.55118	192	7.55905	243	9.56692
40	1.57480	91	.358267	142	5.59055	193	7.59842	244	9.60629
41	1.61417	92	3.62204	143	5.62992	194	7.63779	245	9.64566
42	1.65354	93	3.66141	144	5.66929	195	7.67716	246	9.68503
43	1.69291	94	3.70078	145	5.70866	196	7.71653	247	9.72440
44	1.73228	95	3.74015	146	5.74844	197	7.75590	248	9.76378
45	1.77165	96	3.77952	147	5.78740	198	7.79527	249	9.80315
46	1.81102	97	3.81899	148	5.82677	199	7.83464	250	9.84252
47	1.85039	98	3.85826	149	5.86614	200	7.87401	251	9.88189
48	1.88976	99	3.89763	150	5.90551	201	7.91338	252	9.92126
49	1.92913	100	3.93710	151	5.94488	202	7.95275	253	9.96063
50	1.96850	101	3.97637	152	5.98425	203	7.99221	254	10.00000
51	2.00787	102	4.01574	153	6.02362	204	8.03149	-	-

FEATURES/BENEFITS PAGE G2-2	SPECIFICATION PAGE G2-9	MODIFICATION/ACCESSORIES PAGE G2-120	RENEWAL PARTS PAGE G2-166
--------------------------------	----------------------------	---	------------------------------

ENGINEERING

Metric System of Measurements

Measures of Length

10	millimeters (mm.)	=	1 centimeter (cm.)
10	centimeters	=	1 decimeter (dm.)
10	decimeters	=	1 meter (m.)
1000	meter	=	1 kilometer (km.)

Measure of Weight

10	milligrams (mg.)	=	1 centigram (cg.)
10	centigrams	=	1 decigram (dg.)
10	decigrams	=	1 gram (g.)
10	grams	=	1 decagram (Dg.)
10	decagrams	=	1 hectogram (Hg.)
10	hectograms	=	1 Kilogram (Kg.)
1000	kilograms	=	1 (metric) ton (T.)

Surveyor's Square Measure

100	square meters (m.2)	=	1 are (ar.)
100	acres	=	1 hectare (har.)
100	hectares	=	1 sq. kilometer (Km.2)

Square Measure

100	sq. millimeters (mm.2)	=	1 sq. centimeter (cm.2)
100	sq. centimeters	=	1 sq. decimeter (dm.2)
100	sq. decimeters	=	1 sq. meter (m.2)

Cubic Measure

1000	cu. millimeters (mm.3)	=	1 cu. centimeter (cm.3)
1000	cu. centimeters	=	1 cu. decimeter (dm.3)
1000	cu. decimeters	=	1 cu. meter (m.3)

Dry and Liquid Measure

10	milliliters (ml.)	=	1 centiliter (cl.)
10	centiliters	=	1 deciliter (dl.)
10	deciliters	=	1 liter (l.)
100	liters	=	1 hectoliter (Hl.)

1 liter = 1 cubic decimeter = the volume of 1 kilogram of pure water at a temperature of 39.2 degrees F.

Length Conversion Constants for Metric and U.S. Units

Millimeters X.039370 = inches.
Meters x 39.370 = inches.
Meters X 3.2808 = feet.
Meters X 1.09361 = yards.
Kilometers X 3,280.8 = feet.
Kilometers X.62137 = Statute Miles.
Kilometers x.53959 = Nautical Miles.

Inches X 25.4001 = millimeters.
Inches X.0254 = meters.
Feet x.30480 = meters.
Yards X.91440 = meters.
Feet x.0003048 = kilometers.
Statute Miles X 1.60935 = kilometers.
Nautical Miles x 1.85325 = kilometers.

Weight Conversion Constants for Metric and U.S. Units

Grams X 981 = dynes.
Grams X 15.432 = grains.
Grams X.03527 = ounces (Avd.).
Grams x.033818 = fluid ounces (water).
Kilograms X 35.27 = ounces (Avd.).
Kilograms X 2.20462 = pounds (Avd.).
Metric Tons (1000 Kg.) X 1.10231 = Net Ton (2000 lbs.).
Metric Tons (1000 Kg.) X.98421 = Gross Ton (2240 lbs.).

Dynes X.0010193 = grams.
Grains X.0648 = grams.
Ounces (Avd.) X 28.35 = grams.
Fluid Ounces (Water) X 29.57 = grams.
Ounces (Avd.) X.02835 = kilograms.
Pounds (Avd.) X.45359 = kilograms.
Net Ton (2000 lbs.) X.90719 = Metric Tons (1000 Kg.).
Gross Ton (2240 lbs.) X 1.01605 = Metric Tons (1000 Kg.).

Area Conversion Constants for Metric and U.S. Units

Square Millimeters X.00155 = square inches.
Square centimeters X.155 = square inches.
Square Meters X 10.76387 = square feet.
Square Meters X 1.19599 = square yards.
Hectares X 2.47104 = acres.
Square Kilometers X 247.104 = acres.
Square Kilometers X.3861 = square miles.

Square Inches X 645.163 = square millimeters.
Square Inches x 6.45163 = square centimeters.
Square Feet x.0929 = square meters.
Square Yards X.83613 = square meters.
Acres X.40469 = hectares.
Acres X.0040469 = square kilometers.
Square Miles X 2.5899 = square kilometers.

Volume Conversion Constants for Metric and U.S. Units

Cubic centimeters X.033818 = fluid ounces.
Cubic centimeters X.061023 = cubic inches.
Cubic centimeters X.271 = fluid drams.
Liters X 61.023 = cubic inches.
Liters X 1.05668 = quarts.
Liters X .26417 = gallons.
Liters X.035317 = cubic feet.
Hectoliters X 26.417 = gallons.
Hectoliters X 3.5317 = cubic feet.
Hectoliters X 2.83794 = bushel (2150.42 cu. in.).
Hectoliters X.1308 = cubic yards.
Cubic Meters x 264.17 = gallons.
Cubic Meters x 35.317 = cubic feet.
Cubic Meters X 1.308 = cubic yards.

Fluid Ounces X 29.57 = cubic centimeters.
Cubic Inches X 16.387 = cubic centimeters.
Fluid Drams x 3.69 = cubic centimeters.
Cubic Inches X.016387 = liters.
Quarts x.94636 = liters.
Gallons x 3.78543 = liters.
Cubic Feet x 28.316 = liters.
Gallons x.0378543 = hectoliters.
Cubic Feet x.28316 = hectoliters.
Bushels (2150.42 cu. in.) X.352379 = hectoliters.
Cubic Yards x 7.645 = hectoliters.
Gallons x.00378543 = cubic meters.
Cubic Feet x.028316 = cubic meters.
Cubic Yards x.7645 = cubic meters.

Power and Heat Conversion Constants for Metric and U.S. Units

Calorie x 0.003968 = B.T.U.
Joules X.7373 = pound-feet.
Newton-Meters X 8.851 = pound-inches
Cheval Vapeur X.9863 = Horsepower.
Kilowatts X 1.34 = Horsepower.
Kilowatt Hours X 3415 = B.T.U.
(Degrees Cent. X 1.8) +32 = degrees Fahr.
(Degrees Reamur X 2.25) + 32 = degrees Fahr.

B.T.U. X 252 = calories.
Pound-Feet X 1.3563 = joules.
Pound-inches X.11298 = Newton-meters.
Horsepower X 1.014 = Cheval Vapeur.
Horsepower X.746 = kilowatts.
B.T.U. X.00029282 = kilowatt hours.
(Degrees Fahr. - 32) x.555 = degrees Cent.
(Degrees Fahr. - 32) x.444 = degrees Reamur.

COMMON CONVERSION FACTORS USEFUL IN MECHANICAL POWER TRANSMISSION

Symbols and Abbreviations Used in Conversion Factors

Symbols and abbreviations found in this section are those currently used in many texts and product publications. Considerable effort is underway to standardize on abbreviations for metric and English units of measurement. Recently, ASTM (American Society for Testing and Materials) and IEEE (Institute of Electrical and Electronic Engineers) published a standard practice on the metric system. † This publication consolidates a great deal of the current thinking and provides a system of abbreviations and symbols that differ somewhat from those used here.

This Handbook has retained use of familiar abbreviations consistent with existing product and trade literature rather than the abbreviations found in current publications of technical and scientific societies.

Prefixes Used in the Metric System

Common prefixes and symbols used in the metric system are listed below. An example of use is 1000 meters is equivalent to 1 kilometer, and 1/1000 of one meter is equivalent to 1 millimeter.

Prefix	Symbol	Multiplication Factor-Decimal and Power of 10
giga	G	1,000,000,000 or 10 ⁹ or one billion
mega	M	1,000,000 or 10 ⁶ or one million
kilo	k	1,000 or 10 ³ or one thousand
*hecto	h	100 or 10 ² or one hundred
*deka	da	10 or 10 ¹ or ten
**deci	d	0.1 or 10 ⁻¹ or one tenth
**centi	c	0.01 or 10 ⁻² or one hundredth
mill	m	0.001 or 10 ⁻³ or one thousandth
micro	μ	0.000,001 or 10 ⁻⁶ or one millionth
nano	n	0.000,000,001 or 10 ⁻⁹ or one billionth
* Not commonly used.		
** Not commonly used except for special situations. The centimeter as a unit of length is in common use. The decibel is a unit in both electrical and acoustical work.		

† ASTM/IEEE Standard Metric Practice, ASTM E 380-75, IEEE Std. 268-1976.

“Reprinted with Permission of the Power Transmission Distributors Association”

ENGINEERING

Symbol or Abbreviation	Term
atm	atmosphere
avdp	avoirdupois
bbl	barrels
bu	bushels
C	degrees Centigrade or Celsius
cc	cubic centimeters
cfm	cubic feet per minute
cfs	cubic feet per second
cm	centimeter
cu	cubic
deg	degrees
F	degrees Fahrenheit
fps	feet per second
ft	feet
ft-lb	foot-pounds (work or energy)
ft per sec	feet per second (alternate)
ft per sec ²	feet per second per second
g	acceleration due to gravity
g	grams
gal	gallons
gpm	gallons per minute
hp	horsepower
hr	hour
in	inches
in-lb	inch-pounds (work or energy)
K	degrees Kelvin
kg	kilograms
km	kilometers
kn	knots
kW	kilowatts

Symbol or Abbreviation	Term
l	liters
lb	pounds
lb-ft	pound-feet (torque)
m	meters
m per sec ²	meters per second per second
mi	miles
mm	millimeters
mph	miles per hour
MGD	millions of gallons per day
N	Newtons
oz	ounces
oz-in	ounce-inches (torque)
Pa	Pascals
psi	pounds per square inch
psia or psig	pounds per square inch "absolute" or gauge
pt	pint
qt	quart
R	degrees Rankine (Fahrenheit, absolute)
rad	radians
rev	revolutions
rpm	revolutions per minute
sec	seconds
sq	square
std	standard
temp	temperature
wt	weight
yd	yard
yr	year

Rounding of Numbers

A minimum of four significant figures are used in conversion factors presented here. Where the conversion factor is exact (for example, 1 foot contains 12 inches), decimal fractions are not necessary. Also, where large whole numbers are used (for example, 1 square kilometer contains 1195990 square yards), decimal fractions are not used unless justified by the accuracy of ordinary computations.

1195990	(sq yd in a sq km)
4389.12	(cc in a cu ft)
448.86	(gpm in a liter per sec)
14.70	(psi in an atmosphere)
0.4331	(psi in a ft of water)
0.0625	(lb-in in an oz-in)

ENGINEERING

VELOCITY

centimeters per second (cm per sec)	feet per second (fps or ft per sec)	0.3281
feet per second (fps)	centimeters per second (cm per sec)	30.48
	meters per second (m per sec)	0.3048
	kilometers per hour (km per hr)	1.097
	miles per hour (mph)	0.6818
kilometers per hour (km per hr)	knots (kn)	0.5396
	feet per second (fps)	1.467
	kilometers per hour (km per hr)	1.609
	feet per minute (ft per min.)	88
knots (kn)	miles per hour (mph)	1.152
	kilometers per hour (km per hr)	1.853
radians per second (rad per sec)	revolutions per minute (rpm)	9.55
	degrees per minute (deg per min.)	3437.7
revolutions per minute (rpm)	radians per second (rad per sec)	0.1047
	degrees per minute (deg per min.)	360

ACCELERATION COLUMN A

To Convert From...	To...	Multiply Col. A by
feet per second per second (ft per sec ²)	meters per second per second (m per sec ²)	0.3048
m per sec ²	ft per sec ²	3.281
revolutions per minute per second (rpm per sec)	radians per second per second (rad per sec ²)	0.1047
rad per sec ²	rpm per sec.	9.55

ENGINEERING

VOLUMETRIC FLOW RATES

gallons per minute, US (gpm)	liters per second (l per sec)	0.008434
	cubic feet per minute (cfm)	0.1337
	cubic feet per hour (cu ft per hr)	8.022
gallons per minute, UK or Canadian (gpm)	liters per second (l per sec)	0.0101
	cubic feet per minute (cfm)	0.1606
	cubic feet per hour (cu ft per hr)	9.634
cubic feet per second (cfs)	gpm (UK or Canadian)	373.77
	gpm (US)	448.86
	liters per second (l per sec)	1699.2
liters per second (l per sec)	cubic feet per minute (cfm)	2.119
	gpm (UK or Canadian)	13.20
	gpm (US)	15.85
millions of gallons per day, US (MGD)	liters per second (l per sec)	43.81
	cubic feet per minute (cfm)	92.85
	gallons per minute, US (gpm)	694.44

PRESSURE

pascals (Pa)	pounds per square inch (psi)	0.0001450
	pounds per square foot (lb per ft ²)	0.02089
	newtons per square meter	1
pounds per square inch (psi)	atmospheres, std. (atm)	0.0680
	pounds per square foot (lb per ft ²)	144
	pascals (Pa)	6894.8
	foot of water (ft of H ₂ O) 60F	2.301
atmospheres (atm), standard	psi	14.70
	lb per ft ²	2116.8
	Pa	101325
inch of water, 60F (in of H ₂ O)	psi	0.03609
	lb per ft ²	5.197
	Pa	248.84
foot of water, 60F (ft of H ₂ O)	psi	0.4331
	lb per ft ²	62.36
	Pa	2985.9

WEIGHT, MASS, INERTIA

pounds (lb)*	kilograms (kg)	0.4536
	ounces (oz)	16
kilograms (kg)	pounds (lb)	2.205
	ounces (oz)	35.27

ENGINEERING

WEIGHT, MASS, INERTIA, continued COLUMN A

Convert From	To	Multiply Col A By This Factor
tons (short)	metric tons	0.9072
	kilograms (kg)	907.2
	pounds (lb)	2000
metric tons	tons (short)	1.102
	kilograms	1000
	pounds	2205
pounds, weight (lb)	slugs, mass (lb-sec ² per ft)	0.03106
pound-foot ² (lb-ft ²)	kilogram-meters ² (kg-m ²)	0.04214
*pounds and ounces are avoirdupois		

FORCE AND TORQUE

pounds (lb)	newtons(N)	4.448
newtons (N)	pounds (lb)	0.2248
newton-meters (N-m)	pound-feet (lb-ft)	0.7376
	pound-inches (lb-in)	8.851
	ounce-inches (oz-in)	141.60
ounce-inches (oz-in)	lb-ft.	0.005208
	N-m	0.007062
	lb-in	0.0625
pound-inches (lb-in)	lb-ft.	0.0833
	N-m	0.1298
	oz-in	16
pound-feet (lb-ft)	N-m	1.356
	lb -in	12
	oz-in	192

POWER

horsepower (hp)	kilowatts (kW)	0.7457
	foot-pounds per second (ft-lb per sec)	550
	foot-pounds per minute (ft-lb per min.)	33000
kilowatts (kW)	horsepower (hp)	1.341

TEMPERATURE

		Use This Relationship
degrees Fahrenheit (F)	degrees Celsius (C)	$C = 5/9 (F - 32)$
degrees Celsius (C)	degrees Fahrenheit (F)	$F = 9/5C + 32$
degrees Fahrenheit (F)	degrees Rankine (R)	$R = F + 459.69$
degrees Celsius (C)	degrees Kelvin (K)	$K = C + 273.16$

Examples:

- Convert 12F to C. $C = 5/9 (F - 32) = 5/9 (12 - 32) = 5/9 (-20)$
Answer = -11.1C
- Convert 40C to F. $F = 9/5C + 32 = 9/5 (40) + 32 = 72 + 32$
Answer = 104F

GRAVITATIONAL CONSTANT

g = 32.174 feet per second per second (ft per sec²)
 = 9.8067 meters per second per second (m per sec²)

APPROXIMATE DENSITIES OF COMMON MATERIALS

REPRESENTATIVE DENSITIES

Grams per cc

lb per cu ft

GASES @ 68F, std atm

Air	1.30 grams per liter	0.07528
Oxygen	1.45 grams per liter	0.08305
Hydrogen	0.09 grams per liter	0.005234
Nitrogen	1.25 grams per liter	0.07274
All Other Materials	grams per cc	

LIQUIDS

Water @ 4C	1.000 grams per cc	62.43
20C	0.998	62.32
40C	0.992	61.94
SeaWater	1.02-1.03	64.00
Ethyl alcohol 100%	0.789	49.2
Kerosene	0.78-0.82	50
Gasoline	0.70-0.75	45

METALS

Aluminum (95% Al)	2.70	169
Bronze (90% Cu, 10% Zn)	8.80	549
Copper (Annealed, ACS)	8.89	555
Gold	19.32	1206
Iron, gray cast	7.10	443
Lead	11.36	709
Magnesium	1.74	109
Steel (0.4-0.5% Carbon)	7.80	487
Steel, 410 stainless	7.70	480

ENGINEERING PLASTICS

ABS, general purpose	1.01-1.05	64
Acrylics, cast sheet	1.19	74
Nylon 6/6	1.13-1.15	71
Phenolic, general purpose	1.35-1.46	87
Polycarbonates, general purpose	1.2	75
Polyesters, thermoplastic, unreinforced	1.31 - 1.43	86
Polyethylene, medium density	0.926-0.940	58
Polyvinyl Chloride	1.30-1.58	89

APPROXIMATE DENSITIES OF COMMON MATERIALS

REPRESENTATIVE DENSITIES

	REPRESENTATIVE DENSITIES	
	Grams per cc	lb per cu ft
OTHER MATERIALS		
Concrete (stone and sand)	2.2-2.4	144
Limestone	1.5	94
Anthracite coal, not piled	1.4-1.8	100
Bituminous coal, not piled	1.2-1.5	83
Lignite coal, not piled	1.1-1.4	78
Wood, air dried:		
Douglas fir	0.48-0.55	32
White oak	0.77	48
White maple	0.53	33
Oregon pine	0.51	32
Hickory	0.74-0.80	48
Mahogany	0.56-0.85	44
African teak	0.99	62
Indian teak	0.66-0.88	48

Formulas and Constants

- 1 HP = 33,000 Foot-pounds of work per minute.
- 1 HP = .746 K.W. = K.W.P 1.341.
- 1 HP = 2547 B.T.U. per hour.
- 1 B.T.U. = Heat required to raise 1 lb. water 1-F.
- 1 B.T.U. = 777.6 Foot-pounds work.
- 1 Kilowatt Hour = 3415 B.T.U.
- Heat Value of Carbon = 14,600 B.T.U. per pound.
- Latent Heat of Fusion of Ice = 143.15 B.T.U. per pound.
- Latent Heat of Evaporation of Water at 212° F. = 970.4 B.T.U. per pound.
- Total Heat of Saturated Steam at atmospheric pressure = 1,150.4 B.T.U. per pound.
- 1 Ton of Refrigeration = 288,000 B.T.U. per 24 hours.
- g = Acceleration of Gravity (commonly taken as 32.16 feet per second per second).
- 1 Radian = 57.296 degrees.
- 1 Meter = 100 cm. = 39.37 inches.
- 1 Kilometer = .62137 miles.
- 1 Gallon = 231 cubic inches.
- 1 Barrel = 31.5 gallons.
- Atmospheric Pressure = 14.7 pounds per sq. in. = 29.92 inches mercury at 32° F.
- 1 Lb. per Sq. In. Pressure = 2.3095 feet fresh water at 62° F. = 2.0355 inches mercury at 32° F. = 2.0416 inches mercury at 62° F.
- Water Pressure (pounds per sq. in.) = .433 X height of water in feet (Fresh water at 62°F.).
- Weight of 1 cu. ft. fresh Water = 62.355 lbs. at 62°F. = 59.76 lbs. at 212° F.
- Weight of 1 cu. ft. Air at 14.7 lbs. per sq. in. Pressure = .07608 lbs. at 62° F. = .08073 lbs. at 32° F.
- † Also look in the General Index under Weights, Measures, or the subject material required.

FEATURES/BENEFITS PAGE G2-2	SPECIFICATION PAGE G2-9	MODIFICATION/ACCESSORIES PAGE G2-120	RENEWAL PARTS PAGE G2-166
--------------------------------	----------------------------	---	------------------------------

ENGINEERING

Flywheel Formulas

Flywheels are used on some machines, for example air compressors, to even out load pulsations. The following formulas are useful in designing entire flywheels and flywheel rims. A V-belt sheave may also be used as a flywheel eliminating the need for a separate flywheel in the system.

Formulas for Entire Flywheel

Kinetic energy of rotation of a flywheel (foot pounds)
 $= .0001705 N^2(WR^2)^*$.

Torque to uniformly accelerate or decelerate a flywheel

$$= \frac{.03908 (N_2 - N_1) (WR^2), * \text{ pound-inches}}{t}$$

where N_2 = final R.P.M. and N_1 = initial R.P.M.
 Velocity at outside diameter (feet per minute) = $0.2618 ND$.

W = weight (pounds).

R = radius of gyration (feet).

N = speed (R.P.M.)

t = time to change from N_1 to N_2 (seconds).

F = face of rim (inches).

D = outside diameter of rim (inches).

d = inside diameter of rim (inches).

K = weight per cubic inch of material (pounds).

* WR^2 = flywheel effect (pounds X feet²). See table to the right for WR^2 of rims. Ordinarily the WR^2 of the rim only is considered. In unusual instances the relatively small WR^2 values of the hub

and arms or web can be added directly to the WR^2 of the rim if desired. To find the WR^2 of a hub or web use the WR^2 formula for rims, substituting the hub or web outside diameter, inside diameter, and width for D , d and F respectively. When arms are used instead of a web an approximate WR^2 value of the arms is the total weight of the arms in pounds times the square of the radius in feet from the shaft center line to the mid point of the arms between hub and rim.

Table 30: Formulas for Flywheel Rims

Property	Cast Iron Rim (Based on .26 lbs. per cu. in.)	Steel Rim (Based on .283 lbs. per cu. in.)	Rim of any material weighing K pounds per cubic inch
Volume (Cubic Inches)	$.7854F(D^2-d^2)$	$.7854F(D^2-d^2)$	$.7854FK(D^2-d^2)$
W Weight (Pounds)	$.2042F(D^2-d^2)$	$.2223F(D^2-d^2)$	$.7854FK(D^2-d^2)$
R Radius of Gyration (Feet)	$\sqrt{\frac{.8681 (D^2-d^2)}{1000}}$	$\sqrt{\frac{0.8681 (D^2-d^2)}{1000}}$	$\sqrt{\frac{.8681 (D^2-d^2)}{1000}}$
WR^2 Wt X Sq. of Radius of Gyration (Lbs. X Ft. ²)	$\frac{.1773F(D^4-d^4)}{1000}$	$\frac{.1929F(D^4-d^4)}{1000}$	$\frac{.6818FK(D^4-d^4)}{1000}$
T ▲ Tensile Load in rim (Lbs.)	$\frac{.3078FN2(D^3-d^3)}{1000000}$	$\frac{.3350FN2(D^3-d^3)}{1000000}$	$\frac{1,184FKN2(D^3-d^3)}{1000000}$

▲ Centrifugal force causes this tensile load at each and every section of the rim. Hence, on rims split into two or more sections the fastening at each joint should be designed to take the full load as calculated from the formula here given.

Centrifugal Force

R = Distance from the axis of rotation to the center of gravity of the body (feet).

N = Revolutions per minute.

v = Velocity of the center of gravity of the body (feet per second).

g = Acceleration due to gravity (32.16 commonly).

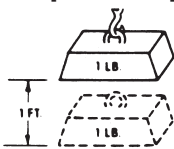
$$F = \frac{Wv^2}{gR} = \frac{WRN^2}{2933} = .000341 WRN^2$$

F = Centrifugal force tending to move the body outward from the axis of rotation (pounds).

W = Weight of body (pounds).

ENGINEERING

Torque and Horsepower Equivalents

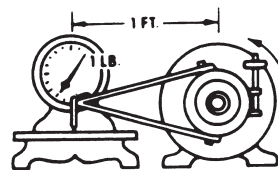


A foot-pound is the amount of energy expended in lifting a one-pound mass a distance of one foot against the pull of gravity

FOOT-POUNDS INDICATE ENERGY

TORQUE

It is: a turning moment or twisting effort.
Is it expressed in foot-pounds? or pound-feet?



A pound-foot is the moment created by a force of one pound applied to the end of a lever arm one

POUND-FEET INDICATE TORQUE

$$\begin{aligned} \text{Torque (in Pound-Inches)} &= \frac{63025 \times \text{HP}}{\text{RPM}} \\ &= \text{Force} \times \text{Lever Arm (In Inches)} \\ \text{Torque (in Pound-Feet)} &= \frac{5252 \times \text{HP}}{\text{RPM}} \\ &= \text{Force} \times \text{Lever Arm (In Feet)} \end{aligned}$$

Example:

$$\begin{aligned} 25 \text{ HP at } 150 \text{ RPM} &= 10504 \text{ Pound-Inches Torque} \\ 2.5 \text{ HP at } 150 \text{ RPM} &= 1050.4 \text{ Pound-Inches Torque} \end{aligned}$$

For other values of RPM move decimal point in RPM values to the left or right as desired, and in Torque values move to the right or left (opposite way) the same number of places.

Example:

$$\begin{aligned} 25 \text{ HP at } 150 \text{ RPM} &= 10504 \text{ Pound-Inches Torque} \\ 25 \text{ HP at } 1.50 \text{ RPM} &= 1050400 \text{ Pound-Inches Torque} \\ 2.5 \text{ HP at } 1.50 \text{ RPM} &= 105040 \text{ Pound-Inches Torque} \end{aligned}$$

Force = Working Load in Pounds.

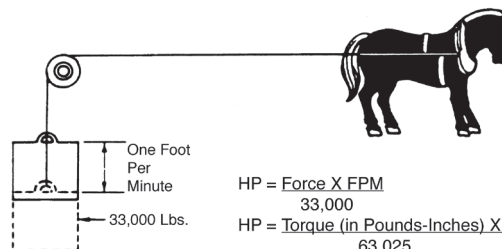
FPM = Feet Per Minute.

RPM = Revolutions Per Minute.

Lever Arm = Distance from the Force to the center of rotation in Inches or Feet.

HORSEPOWER

Common Unit of Mechanical power - (HP)
One HP is the rate of work required to raise 33,000 pounds one foot in one minute



$$\begin{aligned} \text{HP} &= \frac{\text{Force} \times \text{FPM}}{33,000} \\ \text{HP} &= \frac{\text{Torque (in Pounds-Inches)} \times \text{RPM}}{63,025} \\ \text{HP} &= \frac{\text{Torque (in Pounds-Feet)} \times \text{RPM}}{5,252} \end{aligned}$$

Overhung Loads

An overhung load is a bending force imposed on a shaft due to the torque transmitted by V-drives, chain drives and other power transmission devices, other than flexible couplings.

Most motor and reducer manufacturers list the maximum values allowable for overhung loads. It is desirable that these figures be compared with the load actually imposed by the connected drive.

Overhung loads may be calculated as follows:

$$\text{O.H.L.} = \frac{63,000 \times \text{HP} \times \text{F}}{\text{N} \times \text{R}}$$

Where HP = Transmitted hp X service factor
N = RPM of shaft
R = Radius of sprocket, pulley, etc. (inches)
F = Factor (See chart to right)

Weights of the drive components are usually negligible. The formula is based on the assumption that the load is applied at a point equal to one shaft diameter from the bearing face. Factor F depends on the type of drive used:

$$F = \begin{cases} 1.00 & \text{for single chain drives.} \\ 1.3 & \text{for TIMING Belt Drives and HTD belt Drives.} \\ 1.25 & \text{for spur or helical gear or double chain drives.} \\ 1.50 & \text{for V-belt drives. 2.50 for flat belt drives.} \\ 2.50 & \text{for flat belt drives.} \end{cases}$$

Example: Find the overhung load imposed on a reducer by a double chain drive transmitting 7 hp @ 30 RPM. The pitch diameter of the sprocket is 10"; service factor is 1.3.

Solution:

$$\text{O.H.L.} = \frac{(63,000) (7 \times 1.3) (1.25)}{(30) (5)} = 4,780 \text{ lbs.}$$

Mathematical Equations

To find circumference of a circle, multiply diameter by 3.1416.
To find diameter of a circle, multiply circumference by .31831.
To find area of a circle, multiply square of diameter by .7854.
To find area of a rectangle, multiply length by breadth.
To find area of a triangle, multiply base by 1/2 perpendicular height.
To find area of ellipse, multiply product of both diameters by .7854.
To find area of parallelogram, multiply base by altitude.
To find side of an inscribed square, multiply diameter by 0.7071 or multiply circumference by 0.2251 or divide circumference by 4.4428.

To find side of inscribed cube, multiply radius of sphere by 1.1547.
To find side of an equal square, multiply diameter by .8862.
To find the surface of a sphere, square the diameter and multiply by 3.1416.
To find the volume of a sphere, cube the diameter and multiply by .5236.
A side of a square multiplied by 1.4142 equals diameter of its circumscribing circle.
A side of a square multiplied by 4.443 equals circumference of its circumscribing circle.

FEATURES/BENEFITS PAGE G2-2	SPECIFICATION PAGE G2-9	MODIFICATION/ACCESSORIES PAGE G2-120	RENEWAL PARTS PAGE G2-166
--------------------------------	----------------------------	---	------------------------------

Table 31: Strength and Physical Properties of Various Metals

Metals and Alloys	Stress in Thousands of Pounds per Sq. Inch				Modulus of Elasticity Millions	Elongation%
	Tension Ultimate	Tension Yield Point	Compression Ultimate	Shear Ultimate		
Aluminum, Type 1100.0, Annealed	13	5	9	10	45
Aluminum, Type 1100-H18, Hard	24	22	13	10	15
Aluminum, Type 3003-0, Annealed	16	6	11	10	40
Aluminum, Type 3003-H18, Hard	29	27	16	10	10
Aluminum, Type 5052-0, Annealed	28	13	18	10.20	30
Aluminum, Type 5052-H38, Hard	42	37	24	10.20	8
Aluminum, Type 5056-0, Annealed	42	22	26	10.30	35
Aluminum, Type 2014-0, Annealed	27	14	18	10.60	18
Aluminum, Type 2014-T4, Heat Treated	62	42	38	10.60	20
Aluminum, Type C4A, Casting. Solution Heat Treat	32	16	16▲	24	8.50
Aluminum, Type S5C, As Die Cast	30	16	16▲	19	9
Brass, Admiralty, Annealed	53	22	16	65
Brass, Aluminum, Annealed	60	27	16	55
Brass, Cartridge, 30% Zn, Annealed	44	11	32	16	66
Brass, Cartridge, 30% Zn, Hard	76	63	44	16	8
Brass, Naval, Annealed	57†	25†	40 †	15	47†
Brass, Naval, Leaded, Annealed	57†	25†	36 †	15	40†
Brass, Red, 15% Zn, Annealed	39	10	31	17	48
Brass, Red, 15% Zn, Hard	70	57	42	17	5
Brass, Red, Leaded, Cast, Grade 4A	33-46	17-24	10-12▲	9.1-14.8	20-35
Brass, Red, Leaded, Cast, Grade 4B	30-38	12-17	11-12▲	15-27
Brass, Semi-Red, Leaded, Cast, Grade 5A	29-39	13-17	7.7-14.3	18-30
Brass, Semi-Red, Leaded, Cast, Grade 5B	30-40	12-16	8-10▲	10-14	20-35
Brass, Yellow, 35% Zn, Annealed	46	14	32	15	65
Brass, Yellow, 35% Zn, Hard	74	60	43	15	8
Bronze, Aluminum, As Cast	67-95	27-45	15-18	5-35
Bronze, Commercial, 10% Zn, Annealed	37†	10†	28 †	17	45=
Bronze, Manganese, Annealed	65†	30†	42 v	15	33=
Bronze, Phosphor, Annealed	40-66	14-24	16-17	48-70
Bronze, Tin, High Leaded, Cast	23-38	11-22	12-16▲	8.5-13	7-20
Bronze, Tin, Leaded, Cast	33-48	16-26	9-15▲	10.6-16	15-40
Copper, Beryllium, Annealed	60-80	25-35v	50-60 †	19	35-50†
Copper, Electrolytic, Tough Pitch, Annealed	32†	10†	22 †	17	45†
Inconel, Cast	65-90	23	10-20
Inconel, S, Cast	90-120	80-100	25	1-3
Inconel, Shapes, Plate, Etc., Annealed	80-100†	30-45†	31	35-55†
Inconel, X, Shapes, Plate, Etc., Annealed	110-130†	45-65†	31	40-55†
Iron, Cast, Class 30	30-34	115	44	15
Iron, Cast, Class 35	35-40	125	43	16
Iron, Ingot, Hot Rolled	44	23	29.80	47
Iron, Malleable, Class 32510	50	33	90	46	25	10-18
Iron, Malleable, Class 35018	55	37	90	51	25	18-25
Iron, Nodular (Ductile) Class 60-45-10	60	45	120	22-25	10-25
Iron, Nodular (Ductile) Class 80-60-3	80	60	160	22-25	3-10
Iron, Pearlitic, Malleable	60-90	40-70	28	3-12
Iron, Wrought, Hot Rolled	34-47	23-24	29	7-35
Lead, Hard, Rolled	4.0-4.6	31-48
Magnesium Alloy, Extruded, ASTM MIA	26-28	23-28	10-13	16	6.50	8-11
Magnesium Alloy, Extruded, ASTM AZ61A-F	40-45	22-32	15-21	21	6.50	15-16
Magnesium Alloy, Cast, ASTM MIB	14	4.50	11	6.50	5
Magnesium Alloy, Cast, ASTM AZ92A	24	14	19	6.50	2
Magnesium Alloy, Cast, ASTM AZ91A	36	23	20	6.50	4

Table 31: Strength and Physical Properties of Various Metals

Metals and Alloys	Stress in Thousands of Pounds per Sq. Inch				Modulus of Elasticity Millions	Elongation%
	Tension Ultimate	Tension Yield Point	Compression Ultimate	Shear Ultimate		
Monel, Cast	65-90	32-45	23	20-50
Monel, S, Cast	120-145	80-130	24.20	1-4
Monel, Shapes, Plate, Etc., Annealed	70-85†	25-45†	26	35-50†
Monel, K, Shapes, Plate, Etc., Annealed	90-105†	40-65†	26	25-45	35-55†
Muntz Metal, Cu 59.63%, Zn balance	54	21	40	15	45
Nickel, Cast	50-65	15-30	21.50	15-30
Nickel, Silver, Annealed	49-63†	18-30†	17-18	35-60†
Steel, Cast Carbon, Class 70,000 Normalized	70	38	30	28
Steel, Cast Low Alloy, Class 100,000, Normalized and Tempered	100	68	29-30	20
Steel, Cast Low Alloy, Class 120,000, Quenched and Tempered	120	95	29-30	16
Steel, Cast Low Alloy, Class 200,000, Quenched and Tempered	200	170	29-30	5
Steel, Sheets	48	25	29-30	18-27
Steel, Stainless, Austenitic, Types 304, 316	85	35	28	55-60
Steel, Stainless, Martensitic, Type 416	75	40	29	30
Steel, Structural, Bridge and Building, ASTM A7	60-72	33	33▲	45-54	29-30	21
Steel, Structural, High Strength, Low Alloy, ASTM A242	63-70	42-50	42-50▲	47-53	29-30	18-24
Zinc, Die Cast Alloy XXIII	41	60▲	31	10

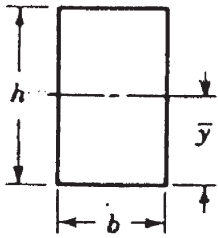
† When hardened, strength values are higher, elongation less

▲ Compression yield point

Table 32: Properties of Sections

A = area
 I = moment of inertia
 J = polar moment of inertia

Z = section modulus π
 k = radius of gyration
 y = centroidal distance

Rectangle


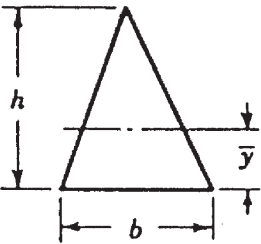
$$A = bh$$

$$k = 0.289h$$

$$I = \frac{bh^3}{12}$$

$$\bar{y} = \frac{h}{2}$$

$$Z = \frac{bh^2}{6}$$

Triangle


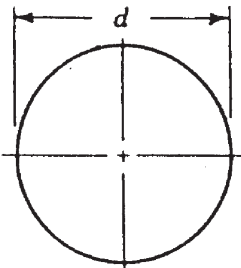
$$A = \frac{bh}{2}$$

$$k = 0.236h$$

$$I = \frac{bh^3}{36}$$

$$\bar{y} = \frac{h}{3}$$

$$Z = \frac{bh^2}{24}$$

Circle


$$A = \frac{\pi d^2}{4}$$

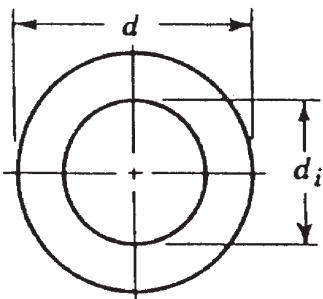
$$J = \frac{\pi d^4}{32}$$

$$I = \frac{\pi d^4}{64}$$

$$k = \frac{d}{4}$$

$$Z = \frac{\pi d^3}{32}$$

$$\bar{y} = \frac{d}{2}$$

Hollow Circle


$$A = \frac{\pi d}{4} (d^2 - d_i^2)$$

$$J = \frac{\pi}{32} (d^4 - d_i^4)$$

$$I = \frac{\pi}{64} (d^4 - d_i^4)$$

$$k = \sqrt{\frac{d^2 - d_i^2}{16}}$$

$$Z = \frac{\pi}{32d} (d^4 - d_i^4)$$

$$\bar{y} = \frac{d}{2}$$

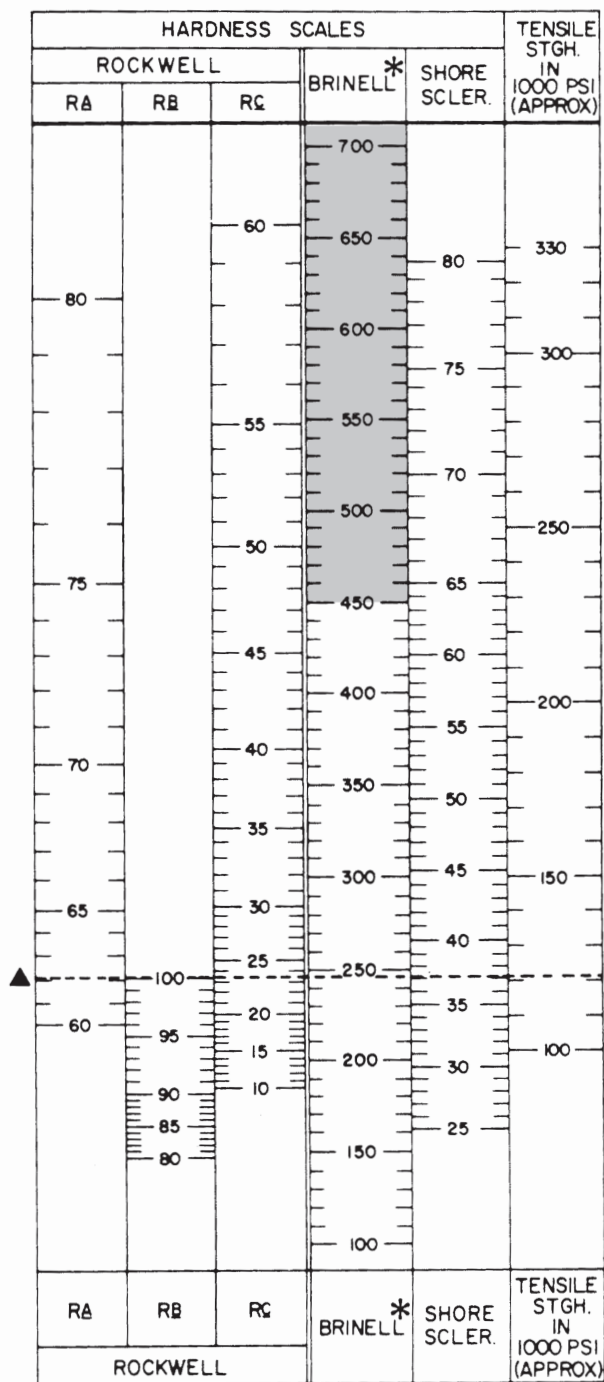
Table 33: Coefficients of Friction "f"

Material	Static		Sliding	
	Dry	Lubricated	Dry	Lubricated
Aluminum on aluminum	1.35
Canvas belt on rubber lagging	0.30
Canvas belt, stitched, on steel	0.20	0.10
Canvas belt, woven, on steel	0.22	0.10
Cast iron on asbestos, fabric
brake material	0.35-0.40
Cast iron on brass	0.30
Cast iron on bronze	0.22	0.07-0.08
Cast iron on cast iron	1.10	0.15	0.06-0.10
Cast iron on copper	1.05	0.29
Cast iron on lead	0.43
Cast iron on leather	0.60	0.13-0.36
Cast iron on oak (parallel)	0.30-0.50	0.07-0.20
Cast iron on magnesium	0.25
Cast iron on steel, mild	0.18	0.23	1/0/00 3:11
Cast iron on tin	0.32
Cast iron on zinc	0.85	0.21
Earth on earth	0.25-1.0
Glass on glass	0.94	0.40
Hemp rope on wood	0.50-0.80	0.40-0.70
Nickel on nickel	1.10	0.53	0.12
Oak on leather (parallel)	0.50-0.60	0.30-0.50
Oak on oak (parallel)	0.62	0.48	0.16
Oak on oak (perpendicular)	0.54	0.32	0.07
Rubber tire on pavement	0.8-0.9	0.6-0.7 *	0.75-0.85	0.5-0.7*
Steel on ice	0.03	0.01
Steel, hard, on babbitt	0.42-0.70	0.08-0.25	0.33-0.35	0.05-0.16
Steel, hard, on steel, hard	0.78	0.11-0.23	0.42	0.03-0.12
Steel, mild, on aluminum	0.61	0.47
Steel, mild, on brass	0.51	0.44
Steel, mild, on bronze	0.34	0.17
Steel, mild, on copper	0.53	0.36	0.18
Steel, mild, on steel, mild	0.74	0.57	0.09-0.19
Stone masonry on concrete	0.76
Stone masonry on ground	0.65
Wrought iron on bronze	0.19	0.07-0.08	0.18
Wrought iron on wrought iron	0.11	0.44	0.08-0.10

* Wet pavement

Table 34: U.S. Standard Sheet Metal Gages

Gage No.	Thickness in Decimal Parts of an Inch	Gage No.	Thickness in Decimal Parts of an Inch
1	.2813	20	.0359
2	.2656	21	.0329
3	.2391	22	.0299
4	.2242	23	.0269
5	.2092	24	.0239
6	.1943	25	.0209
7	.1793	26	.0179
8	.1644	27	.0164
9	.1495	28	.0149
10	.1345	29	.0135
11	.1196	30	.0120
12	.1046	31	.0109
13	.0897	32	.0102
14	.0747	33	.0094
15	.0673	34	.0086
16	.0598	35	.0078
17	.0538	36	.0070
18	.0478	37	.0066
19	.0418	38	.0063

Hardness Comparison Chart


* Shaded area indicates values may vary depending on type of ball used.

▲ Example: A Brinell number of 245 is equal to 62 Rockwell "A", 100 Rockwell "B", 23 Rockwell "C", 37 Shore with a tensile of approximately 120,000 psi.

Trigonometric Formula

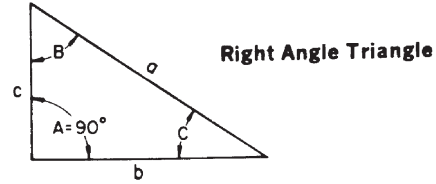
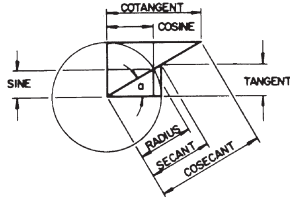


Table 35: Formulas for Finding Functions of Angles

Side opposite Hypotenuse	= SINE
Side adjacent Hypotenuse	= COSINE
Side opposite Side adjacent	= TANGENT
Side adjacent Side opposite	= COTANGENT
Hypotenuse Side adjacent	= SECANT
Hypotenuse Side opposite	= COSECANT

Table 37: To Find Angles and Sides of Right Angle Triangles

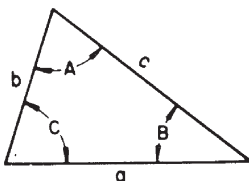
To Find Angles			To Find Angles		
To Find:	Formulas		To Find:	Formulas	
C	$\frac{c}{a}$	= Sine C	a	$\sqrt{b^2 + c^2}$	---
C	$\frac{b}{a}$	= Cosine C	a	$c \times \text{Cosec. C}$	$\frac{c}{\text{Sine C}}$
C	$\frac{c}{b}$	= Tan. C	a	$c \times \text{Secant B}$	$\frac{c}{\text{Cosine B}}$
C	$\frac{b}{c}$	= Cotan C	a	$b \times \text{Cosec. B}$	$\frac{b}{\text{Sine B}}$
C	$\frac{a}{b}$	= Secant C	a	$b \times \text{Secant C}$	$\frac{b}{\text{Cosine C}}$
C	$\frac{a}{c}$	= Cosec. C	b	$\sqrt{a^2 - c^2}$	---
B	$\frac{c}{a}$	= Sine B	b	$a \times \text{Sine B}$	$\frac{a}{\text{Cosecant B}}$
B	$\frac{c}{a}$	= Cosine B	b	$a \times \text{Cos. C}$	$\frac{a}{\text{Secant C}}$
B	$\frac{b}{c}$	= Tan. B	b	$c \times \text{Tan. B}$	$\frac{c}{\text{Cotangent B}}$
B	$\frac{c}{d}$	= Cotan. B	b	$\frac{c \times \text{Cot. C}}{\text{Tangent C}}$	$\frac{c}{\text{Tangent C}}$
B	$\frac{a}{c}$	= Secant B	c	$\sqrt{a^2 - b^2}$	---
B	$\frac{a}{b}$	= Cosec. B	c	$a \times \text{Cos. B}$	$\frac{a}{\text{Secant B}}$
			c	$a \times \text{Sine C}$	$\frac{a}{\text{Cosecant C}}$
			c	$b \times \text{Cot. B}$	$\frac{b}{\text{Tangent B}}$
			c	$b \times \text{Tan. C}$	$\frac{b}{\text{Cotangent C}}$

Table 36: Formulas for Finding Sides of Right Angle Triangles with an Angle and Side Known

To find: Length of side opposite	$\left\{ \begin{array}{l} \text{Hypotenuse} \times \text{Sine} \\ \text{Hypotenuse} \div \text{Coscant} \\ \text{Side adjacent} \times \text{Tangent} \\ \text{Side adjacent} \div \text{Cotangent} \end{array} \right.$
To find: Length of side adjacent	$\left\{ \begin{array}{l} \text{Hypotenuse} \times \text{Cosine} \\ \text{Hypotenuse} \div \text{Secant} \\ \text{Side opposite} \times \text{Cotangent} \\ \text{Side opposite} \div \text{Tangent} \end{array} \right.$
To find: Length of Hypotenuse	$\left\{ \begin{array}{l} \text{Side opposite} \times \text{Cosecant} \\ \text{Side opposite} \div \text{Sine} \\ \text{Side adjacent} \times \text{Secant} \\ \text{Side adjacent} \div \text{Cosine} \end{array} \right.$

Table 38: To Find Angles and Sides of Oblique Angle Triangle

Oblique Angle Triangle



To Find Angles and Sides of Oblique Angle Triangle					
To find:	Known	Formulas	To Find:	Known	Formulas
C	A, B	$180^\circ - (A + B)$	A	B, C	$180^\circ - (B + C)$
b	a, B, A	$\frac{a \times \text{Sin. B}}{\text{Sin. A}}$	Cos. A	a, b, c	$\frac{b^2 + c^2 - a^2}{2bc}$
c	a, A, C	$\frac{a \times \text{Sin. C}}{\text{Sin. A}}$	Sin. C	c, A, a	$\frac{c \times \text{Sin. A}}{a}$
Tan. A	a, C, b	$\frac{a \times \text{Sin. C}}{b - (a \times \text{Cos. C})}$	Cot. B	a, C, b	$\frac{a \times \text{Cosec. C}}{b}$
B	A, C	$180^\circ - (A + C)$	c	b, C, B	$b \times \text{Sin. C} \times \text{Cosec. B}$
Sin. B	b, A, a	$\frac{b \times \text{Sin. A}}{a}$	---	---	-----

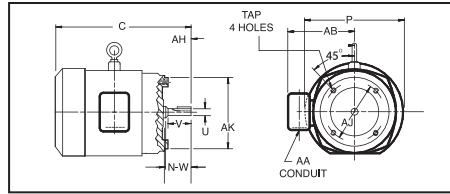
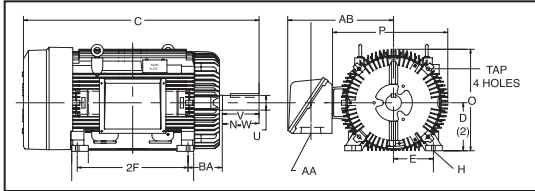
ENGINEERING

NEMA QUICK REFERENCE CHART

- Dimensions are for reference only
- Drawings represent standard TEFC general purpose motors

Contact your local DODGE/Reliance Sales Office at 1-864-284-5700 for "C" dimensions.

FRAME		NEMA SHAFT	KEYSEAT DIMENSIONS			FRAME		NEMA SHAFT	KEYSEAT DIMENSIONS		
U	R	U	R	S	U	R	U	R	S		
48	48	1/2	29/64	FLAT	284T	286T	1-7/8	1-19/32	1/2		
56	56	5/8	33/64	3/16	324T	326T	2-1/8	1-27/32	1/2		
143T	145T	7/8	49/64	3/16	364T	365T	2-3/8	2-1/64	5/8		
182T	184T	1-1/8	63/64	1/4	404T	405T	2-7/8	2-29/64	3/4		
213T	215T	1-3/8	1-13/64	5/16	444T	445T	3-3/8	2-7/8	7/8		
254T	256T	1-5/8	1-13/32	3/8	447T	449T	3-3/8	2-7/8	7/8		



NEMA C-FACE	BA Dimensions
143TC - 145TC	2-3/4
182TC - 184TC	3-1/2
213TC - 215TC	4-1/4
254TC - 256TC	4-3/4

NEMA Frame	D	E	2F	H	N-W	O	P	U	Keyway	V	AA	AB	AH	AJ	AK	BA	Tap Size
48	3	2-1/8	2-3/4	11/32 SLOT	1-1/2	5-13/16	5-5/8	1/2		1-1/2	1/2	-	1-11/16	3-3/4	3	2-1/2	1/4-20
56	3-1/2	2-7/16	3	11/32	1-7/8	8-9/16	7-9/32	5/8	3/16x3/32	1-7/8	1/2	-	2-1/16	5-7/8	4-1/4	2-3/4	3/8-16
56H	3-1/2	2-7/16	5	SLOT	1-7/8	8-9/16	7-9/32	5/8	3/16x3/32	1-7/8	1/2	-	2-1/16	5-7/8	4-1/2	2-3/4	3/8-16
143T	3-1/2	2-7/16	4	11/32	2-1/4	8-9/16	7-9/32	7/8	3/16x3/32	2-1/4	3/4	-	2-1/8	5-7/8	4-1/2	2-1/4	3/8-16
145T	3-1/2	2-3/4	5	11/32	2-1/4	8-9/16	7-9/32	7/8	3/16x3/32	2-1/4	3/4	-	2-1/8	5-7/8	4-1/2	2-1/4	3/8-16
182	4-1/2	3-3/4	4-1/2	13/32	2-1/4	9-7/8	9-1/4	7/8	3/16x3/32	2-1/4	3/4	8-7/16	2-1/8	5-7/8	4-1/2	2-3/4	3/8-16
184	4-1/2	3-3/4	5-1/2	13/32	2-1/4	9-7/8	9-1/4	7/8	3/16x3/32	2-1/4	3/4	8-7/16	2-1/8	5-7/8	4-1/2	2-3/4	3/8-16
182T	4-1/2	3-3/4	4-1/2	13/32	2-3/4	9-7/8	9-1/4	1-1/8	1/4x1/8	2-3/4	3/4	7-13/16	2-5/8	7-1/4	8-1/2	2-3/4	1/2-13
184T	4-1/2	3-3/4	5-1/2	13/32	2-3/4	9-7/8	9-1/4	1-1/8	1/4x1/8	2-3/4	3/4	7-13/16	2-5/8	7-1/4	8-1/2	2-3/4	1/2-13
213	5-1/4	4-1/4	5-1/2	13/32	3	11-1/4	10-1/2	1-1/8	1/4x1/8	3	1	9-5/16	2-3/4	7-1/4	8-1/2	3-1/2	1/2-13
215	5-1/4	4-1/4	7	13/32	3	11-1/4	10-1/2	1-1/8	1/4x1/8	3	1	9-5/16	2-3/4	7-1/4	8-1/2	3-1/2	1/2-13
213T	5-1/4	4-1/4	5-1/2	13/32	3-3/8	11-1/4	10-1/2	1-3/8	5/16x5/32	3-3/8	1	8-11/16	3-1/8	7-1/4	8-1/2	3-1/2	1/2-13
215T	5-1/4	4-1/4	7	13/32	3-3/8	11-1/4	10-1/2	1-3/8	5/16x5/32	3-3/8	1	8-11/16	3-1/8	7-1/4	8-1/2	3-1/2	1/2-13
254U	6-1/4	5	8-1/4	17/32	3-3/4	13-1/4	13-1/4	1-3/8	5/16x5/32	3-3/4	1-1/4	10-13/16	3-1/2	7-1/4	8-1/2	4-1/4	1/2-13
256U	6-1/4	5	10	17/32	3-3/4	13-1/4	13-1/4	1-3/8	5/16x5/32	3-3/4	1-1/4	10-13/16	3-1/2	7-1/4	8-1/2	4-1/4	1/2-13
254T	6-1/4	5	8-1/4	17/32	4	13-1/4	13-1/4	1-5/8	3/8x3/16	4	1-1/4	10-3/4	3-3/4	7-1/4	8-1/2	4-1/4	1/2-13
256T	6-1/4	5	10	17/32	4	13-1/4	13-1/4	1-5/8	3/8x3/16	4	1-1/4	10-3/4	3-3/4	7-1/4	8-1/2	4-1/4	1/2-13
284U	7	5-1/2	9-1/2	17/32	4-7/8	14-3/4	14-7/8	1-5/8	3/8x3/16	4-7/8	1-1/2	12-5/8	4-5/8	9	10-1/2	4-3/4	1/2-13
286U	7	5-1/2	11	17/32	4-7/8	14-3/4	14-7/8	1-5/8	3/8x3/16	4-7/8	1-1/2	12-5/8	4-5/8	9	10-1/2	4-3/4	1/2-13
284T	7	5-1/2	9-1/2	17/32	4-5/8	14-3/4	14-7/8	1-7/8	1/2x1/4	4-5/8	1-1/2	12-3/4	4-3/8	9	10-1/2	4-3/4	1/2-13
286T	7	5-1/2	11	17/32	4-5/8	14-3/4	14-7/8	1-7/8	1/2x1/4	4-5/8	1-1/2	12-3/4	4-3/8	9	10-1/2	4-3/4	1/2-13
284TS	7	5-1/2	9-1/2	17/32	3-1/4	14-3/4	14-7/8	1-5/8	3/8x3/16	3-1/4	1-1/2	12-3/4	3	9	10-1/2	4-3/4	1/2-13
286TS	7	5-1/2	11	17/32	3-1/4	14-3/4	14-7/8	1-5/8	3/8x3/16	3-1/4	1-1/2	12-3/4	3	9	10-1/2	4-3/4	1/2-13
324U	8	6-1/4	10-1/2	21/32	5-5/8	16-11/16	17	1-7/8	1/2x1/4	5-5/8	2	15-7/16	5-3/8	11	12-1/2	5-1/4	5/8-11
326U	8	6-1/4	12	21/32	5-5/8	16-11/16	17	1-7/8	1/2x1/4	5-5/8	2	15-7/16	5-3/8	11	12-1/2	5-1/4	5/8-11
324T	8	6-1/4	10-1/2	21/32	5-1/4	16-11/16	17	2-1/8	1/2x1/4	5-1/4	2	15-3/16	5	11	12-1/2	5-1/4	5/8-11
326T	8	6-1/4	12	21/32	5-1/4	16-11/16	17	2-1/8	1/2x1/4	5-1/4	2	15-3/16	5	11	12-1/2	5-1/4	5/8-11
324TS	8	6-1/4	10-1/2	21/32	3-3/4	16-11/16	17	1-7/8	1/2x1/4	3-3/4	2	15-3/16	3-1/2	11	12-1/2	5-1/4	5/8-11
326TS	8	6-1/4	12	21/32	3-3/4	16-11/16	17	1-7/8	1/2x1/4	3-3/4	2	15-3/16	3-1/2	11	12-1/2	5-1/4	5/8-11
364U	9	7	11-1/4	21/32	6-3/8	18-1/2	19-1/2	2-1/8	1/2x1/4	6-3/8	2-1/2	18	6-1/8	11	12-1/2	5-7/8	5/8-11
365U	9	7	12-1/4	21/32	6-3/8	18-1/2	19-1/2	2-1/8	1/2x1/4	6-3/8	2-1/2	18	6-1/8	11	12-1/2	5-7/8	5/8-11
364T	9	7	11-1/4	21/32	5-7/8	18-1/2	19-1/2	2-3/8	5/8x5/16	5-7/8	2-1/2	18-1/16	5-5/8	11	12-1/2	5-7/8	5/8-11
365T	9	7	12-1/4	21/32	5-7/8	18-1/2	19-1/2	2-3/8	5/8x5/16	5-7/8	2-1/2	18-1/16	5-5/8	11	12-1/2	5-7/8	5/8-11
364TS	9	7	11-1/4	21/32	3-3/4	18-1/2	19-1/2	1-7/8	1/2x1/4	3-3/4	2-1/2	18-1/16	3-1/2	11	12-1/2	5-7/8	5/8-11
365TS	9	7	12-1/4	21/32	3-3/4	18-1/2	19-1/2	1-7/8	1/2x1/4	3-3/4	2-1/2	18-1/16	3-1/2	11	12-1/2	5-7/8	5/8-11
404U	10	8	12-1/4	13/16	7-1/8	21-5/16	22-1/2	2-3/8	5/8x5/16	7-1/8	3	19-1/4	6-7/8	11	12-1/2	6-5/8	5/8-11
405U	10	8	13-3/4	13/16	7-1/8	21-5/16	22-1/2	2-3/8	5/8x5/16	7-1/8	3	19-1/4	6-7/8	11	12-1/2	6-5/8	5/8-11
404T	10	8	12-1/4	13/16	7-1/4	21-5/16	22-1/2	2-7/8	3/4x3/8	7-1/4	3	19-5/16	7	11	12-1/2	6-5/8	5/8-11
405T	10	8	13-3/4	13/16	7-1/4	21-5/16	22-1/2	2-7/8	3/4x3/8	7-1/4	3	19-5/16	7	11	12-1/2	6-5/8	5/8-11
404TS	10	8	12-1/4	13/16	4-1/4	21-5/16	22-1/2	2-1/8	1/2x1/4	4-1/4	3	19-5/16	4	11	12-1/2	6-5/8	5/8-11
405TS	10	8	13-3/4	13/16	4-1/4	21-5/16	22-1/2	2-1/8	1/2x1/4	4-1/4	3	19-5/16	4	11	12-1/2	6-5/8	5/8-11
444U	11	9	14-1/2	13/16	8-5/8	23-3/8	25-1/4	2-7/8	3/4x3/8	8-5/8	3	22-3/16	8-3/8	14	16	7-1/2	5/8-11
445U	11	9	16-1/2	13/16	8-5/8	23-3/8	25-1/4	2-7/8	3/4x3/8	8-5/8	3	22-3/16	8-3/8	14	16	7-1/2	5/8-11
444T	11	9	14-1/2	13/16	8-1/2	23-3/8	25-1/4	3-3/8	7/8x7/16	8-1/2	3	23-3/8	8-1/4	14	16	7-1/2	5/8-11
445T	11	9	16-1/2	13/16	8-1/2	23-3/8	25-1/4	3-3/8	7/8x7/16	8-1/2	3	23-3/8	8-1/4	14	16	7-1/2	5/8-11
447T	11	9	20	13/16	8-1/2	23-5/8	26	3-3/8	7/8x7/16	8-1/2	3	23-7/8	8-1/4	14	16	7-1/2	5/8-11
449T	11	9	25	13/16	8-1/2	23-5/8	26	3-3/8	7/8x7/16	8-1/2	3	23-7/8	8-1/4	14	16	7-1/2	5/8-11
444TS	11	9	14-1/2	13/16	4-3/4	23-3/8	25-1/4	2-3/8	5/8x5/16	4-3/4	3	23-3/8	4-1/2	14	16	7-1/2	5/8-11
445TS	11	9	16-1/2	13/16	4-3/4	23-3/8	25-1/4	2-3/8	5/8x5/16	4-3/4	3	23-3/8	4-1/2	14	16	7-1/2	5/8-11
447TS	11	9	20	13/16	4-3/4	23-5/8	26	2-3/8	5/8x5/16	4-3/4	4 NPT	23-7/8	4-1/2	14	16	7-1/2	5/8-11
449TS	11	9	25	13/16	4-3/4	23-5/8	26	2-3/8	5/8x5/16	4-3/4	4 NPT	23-7/8	4-1/2	14	16	7-1/2	5/8-11

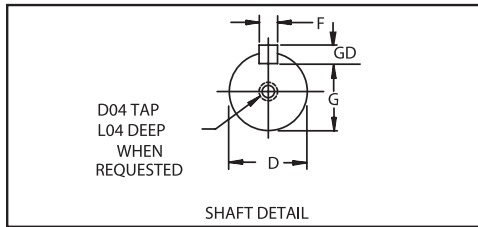
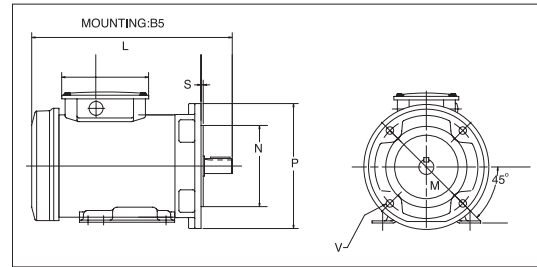
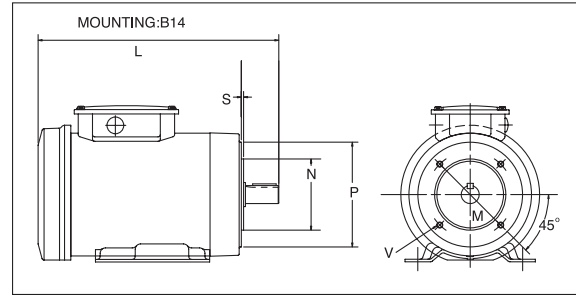
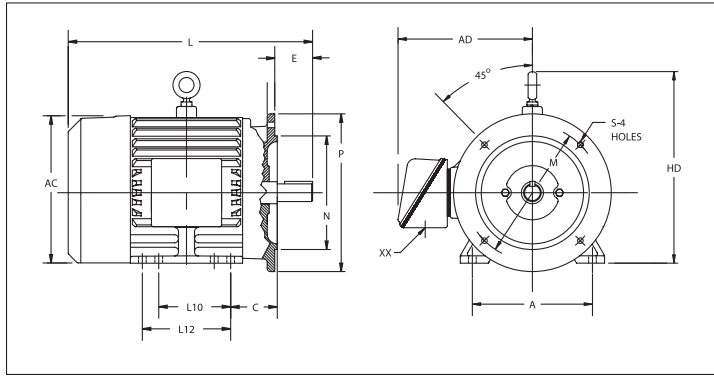
FEATURES/BENEFITS PAGE G2-2	SPECIFICATION PAGE G2-9	MODIFICATION/ACCESSORIES PAGE G2-120	RENEWAL PARTS PAGE G2-166
--------------------------------	----------------------------	---	------------------------------

ENGINEERING

IEC QUICK REFERENCE CHART

- Dimensions are for reference only
- Drawings represent standard TEFC general purpose motors

Contact your local DODGE/Reliance Sales Office at 1-864-284-5700 for "C" dimensions.



KEY AND KEYSEAT DIMENSIONS									
FRAME	D	G	F	GD	FRAME	D	G	F	GD
71	14	11	5	5	160	37	42	12	8
80	19	15.5	6	6	180	48	42.5	14	9
90	24	20	8	7	200	55	49	16	10
100	28	24	8	7	225	60	53	18	11
112	28	24	8	7	250	70	67.5	20	12
132	38	33	10	8	280	80	71	22	14

Frame	B3 RIGID BASE					SHAFT			B5 FLANGE					B14 FACE					GENERAL		
	A	L10	L12	HD	C	E	D	N	M	P	S	V	N	M	P	S	V	AC	AD	XX	
71	-	-	-	-	-	-	-	110	130	160	"3,5"	"9,5"	70	85	105	2.5	M6	143	-	13	
80	125	100	-	188	50	40	19	130	165	200	"3,5"	"11,5"	80	100	120	3	M6	143	-	13	
90	140	100	125	208	56	50	24	130	165	200	"3,5"	"11,5"	95	115	140	3	M8	163	-	13	
100	160	112	140	229	63	60	28	180	215	250	4	14	110	130	160	3.5	M8	175	-	19	
112S	190	114	-	301.8	71.4	60	28	180	215	250	4	14	110	130	160	3.5	M8	243	210	32	
112M	190	-	140	301.8	71.4	60	28	180	215	250	4	14	110	130	160	3.5	M8	243	210	32	
132S	216	140	-	336.6	88.9	80	38	230	265	300	4	14	130	165	200	3.5	M8	286	243	32	
132M	216	-	178	336.6	88.9	80	38	230	265	300	4	14	130	165	200	3.5	M8	286	243	32	
160M	254	210	-	399	108	110	42	250	300	350	5	18	180	215	250	4	M12	324	320	40	
160L	254	-	254	399	108	110	42	250	300	350	5	18	180	215	250	4	M12	324	320	40	
180M	279	241	-	436	121	110	48	250	300	350	5	18	398	355	40			398	355	40	
180L	279	-	279	436	121	110	48	250	300	350	5	18	398	355	40			398	355	40	
200M	318	267	-	486	133	110	55	300	350	400	5	18	442	445	50			442	445	50	
200L	318	-	305	486	133	110	55	300	350	400	5	18	442	445	50			442	445	50	
225S	356	286	-	545	149	140	60	350	400	450	5	18	490	470	50			490	470	50	
225M	356	-	311	545	149	140	60	350	400	450	5	18	490	470	50			490	470	50	
250S	406	311	-	616	168	140	65											600	510	63	
250M	406	-	349	616	168	140	65											600	535	63	
280S	457	368	-	677	190	140	75											650	535	63	
280M	457	-	419	677	190	140	75											650	535	63	
280K	457	500	-	677	190	140	75											650	535	63	
280H	457	630	-	677	190	140	75											650	535	63	
L280H	457	635	-	677	202	205	75											650	535	63	

SYSTEM-1

ONE SYSTEM ☆ ONE SOURCE ☆ ONE SOLUTION

Performance & Convenience from System-1

Rockwell Automation offers a unique service aimed at providing customized solutions for customers. This service, known as System-1, combines the functions of inside sales, marketing and engineering to provide a single source for the design, selection and procurement of multiple component systems.

Once the System-1 Group receives the customer's specifications, the criteria are reviewed and the correct products for the application are selected and priced. The group then checks into deliveries and provides a written quote to the customer. Throughout the process, they work to ensure that the order is available when the customer needs it.

One point of contact within the

System-1 Group covers all of the product lines we offer. Whether you need a standard package or are looking for one that is more customized, System-1 is the source for all of your product needs. System-1 also has the capability to ship the total package pre-assembled and on a single pallet. If products are to be assembled on-site, the items are boxed together for ease of identification. All orders are tagged on the outside of the pallet or box with the description number designated for the project.

A centralized source for warranty administration is also a feature of System-1. If one of the products you ordered needs warranty attention, you can call the System-1 Group directly. Our experts will assess the situation and provide a solution to satisfy your warranty needs.

Lowering Total Cost of Ownership for Industry

System-1 has a long history of providing drive and tail conveyor assemblies for the aggregate industry. These systems are designed to provide long lasting, power-matched solutions to meet bulk material conveying requirements. They incorporate high quality, long lasting DODGE and RELIANCE products, including reducers, conveyor pulleys, bearings, take-up frames and motors. A quick selection guide is available for pre-engineered assemblies and simplifies the design of the conveyor process because the selection of components is already done. For users requiring a more customized bulk conveyor solution, System-1 offers a complete package of power-matched DODGE and RELIANCE products, selected for specific applications.

The System-1 Group is also able to provide a standard solution for the food and beverage industry. System-1 offers these users a standard package that includes three products well suited for their applications: a DODGE QUANTIS Unit, a RELIANCE XE Motor and a Reliance SP600 AC Drive. The combination of these products offers users lower maintenance costs and more versatility.

In a typical food plant, converting equipment and conveyors are often powered by a mechanical drive. However, the standard package offered by System-1 presents a more reliable and efficient solution because our drive is easy to control and monitor with an external keypad. Our package also operates at more than 90% efficiency, requires less maintenance and maximizes customer uptime.

Standard packages offered for this industry can be specified for either in-line or right-angle configurations based on the applications. For users that require washdown capabilities, there is also a modified package containing products specially manufactured for these environments.

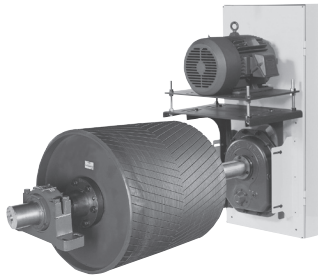
The System-1 Group brings performance and convenience to every order they receive. By providing ease of selection, procurement and delivery, the System-1 Group is able to lower your total cost of ownership, while providing the power-matched product solutions you need for all your mechanical and electrical power transmission needs.

For more information on these services, contact a System-1

Product Specialist at 864-284-5767 or access our System-1 Page located at www.dodge-pt.com or www.reliance.com.

SYSTEM-1

Engineering



System-1

Bulk Conveyor

Use System-1 to quote your Bulk Conveyor Drive Systems. Packages include DODGE and Baldor•Reliance products such as: Mine Duty Extra Conveyor Pulleys, TAF Bearings, Torque-Arm II Shaft Mounted Reducers, V-belt drives, QUANTIS Reducers, baseplates, fluid couplings and Super-E Motors.

System-1 also offers pre-packaged drive and tail conveyor assemblies. These packages were designed for Bulk Conveyor applications offering a variety of common configurations. The drive system utilizes a Baldor•Reliance Motor driving a Torque-Arm II Shaft Mount Reducer through a v-belt drive. System-1 will ship the motor, reducer and v-drive assembled with the belt guard and motor mount. The pulleys, shafts and bearings will be delivered as a single piece, ready to be mounted to the reducer. Contact a System-1 representative to receive the most efficient power transmission solution available.

Part Number Index

Keyword Index

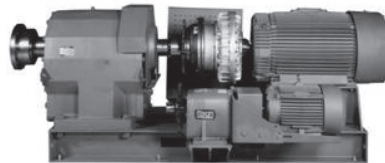


Custom Fabricated Baseplates

System-1 can provide custom fabricated baseplates for mounting various DODGE gear reducers and Baldor•Reliance motors, including made-to-order couplings and v-belt drive guards.

Variable Speed Drives

Packages include DODGE QUANTIS Gear Reducers with Baldor•Reliance Premium Efficient Motors and Baldor Variable Frequency Drives for variable speed applications. These packages provide compact, low maintenance solutions that are easy to install. System-1 also has the capability to interchange mechanical variable speed drives, such as REEVES Motodrives, to an electrical variable speed solution.



Creep Drive

A Baldor•Reliance Motor drives a DODGE MAXUM Reducer through a fluid coupling for a soft start to maximize the life of the system. When the driven equipment needs to be inspected, an over-running clutch disengages the main drive and engages a smaller Baldor•Reliance/DODGE drive system connected to the main drive input shaft. The equipment now runs at a fraction of the normal operating speed. This complete package is delivered pre-assembled on a heavy duty baseplate for ease of installation.

Large and Specialty Gearing

System-1 provides offset parallel and right angle drive packages, featuring DODGE MagnaGear Reducers, for applications requiring high horsepower, which can include the incorporation of external backstops.

Non-Baldor Products

System-1 can also provide non-Baldor products such as external backstops, moment couplings, and braking systems for decline conveyors.

Why Should You Use System-1?

- Saves you time
- Project coordination
- Optimized system design and product selection
- Products / services bundling
- Pre-assembled Packages
- Freight administration
- Single source warranty
- Reduces the Total Cost of Ownership

SYSTEM-1

CUSTOMIZED CONVEYOR PACKAGE SOLUTIONS

Use this quick fax form to receive your customized solution quotation.

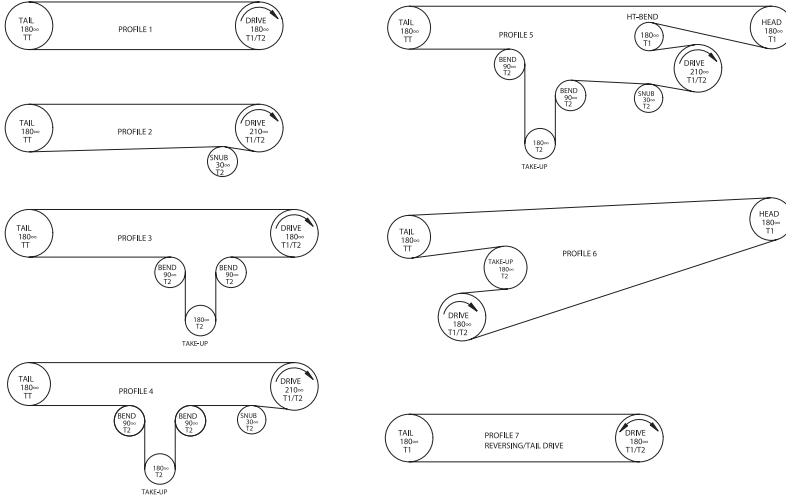
TO: SYSTEM-1 GROUP
FAX: (864) 281-2355
RE: CUSTOMIZED QUOTATION
E-MAIL ADDRESS: pssystem1@baldor.com

FROM: _____
COMPANY / CUSTOMER NUMBER: _____
CITY, STATE: _____
PHONE: _____
FAX: _____

Desired System Capacity (TPH) _____
 Material Type _____
 Estimated Weight of Material _____
 Desired Belt Width _____
 Desired Belt Speed _____

Length of Conveyor _____
 Change in Elevation _____
 Number of Belt Scrapers/Plows _____
 Idler Angle _____
 Bearing Center Distance _____

Desired Conveyor Profile (Please Circle Your Selection)



Additional Comments

- | | | |
|------------------------------|---|---|
| Motor Type: | Premium Efficiency Super-E <input type="checkbox"/> | Severe Duty <input type="checkbox"/> |
| | E-Pact <input type="checkbox"/> | Crusher Duty <input type="checkbox"/> |
| | Quarry Duty <input type="checkbox"/> | 841-XL <input type="checkbox"/> |
| Reducer Type: | QUANTIS <input type="checkbox"/> | MAXUM <input type="checkbox"/> |
| | TORQUE-ARM (TXT) <input type="checkbox"/> | MagnaGear <input type="checkbox"/> |
| | TORQUE-ARM II (TAII) <input type="checkbox"/> | TIGEAR 2 <input type="checkbox"/> |
| Bearing Type: | SCM Ball Bearing <input type="checkbox"/> | TAF <input type="checkbox"/> |
| | Type-E <input type="checkbox"/> | IMPERIAL SAF <input type="checkbox"/> |
| | S-2000 <input type="checkbox"/> | USAF <input type="checkbox"/> |
| | IMPERIAL <input type="checkbox"/> | SPLIT-SPHERE <input type="checkbox"/> |
| | | ISAF <input type="checkbox"/> |
| Conveyor Pulley Type: | Cema Drum <input type="checkbox"/> | Cema Wing <input type="checkbox"/> |
| | Mine Duty Drum <input type="checkbox"/> | Mine Duty Extra Wing <input type="checkbox"/> |
| | Mine Duty Extra Drum <input type="checkbox"/> | Quarry Duty Wing <input type="checkbox"/> |
| | 1/2" Herringbone Lagging <input type="checkbox"/> | Wing Lagging <input type="checkbox"/> |
| | 1/2" Plain Lagging <input type="checkbox"/> | |
| | 1/2" Diamond Lagging <input type="checkbox"/> | |
| | 1/2" Holz Lagging <input type="checkbox"/> | |
| | Ceramic Lagging <input type="checkbox"/> | |
| | Chevron Lagging <input type="checkbox"/> | |



SYSTEM-1

CUSTOMIZED CONVEYOR PACKAGE SOLUTIONS

Use this quick fax form to receive your customized solution quotation.

TO: SYSTEM-1 GROUP
FAX: (864) 281-2355
RE: CUSTOMIZED QUOTATION
E-MAIL ADDRESS: pssystem1@baldor.com

FROM: _____
COMPANY / CUST NUMBER: _____
CITY, STATE: _____
PHONE: _____
FAX: _____

Motor HP / Voltage:
Reducer Output Speed:
Reducer Configuration:

- Right Angle
- In-Line
- Offset Parallel
- Worm Gear
- Shaft Mount

Output Connection:

- Chain Drive
- Synchronous Drive
- Coupled
- V-Belt

Mounting:

- Shaft
- Baseplate
- Flange

Softstart Device:

- Yes
- No

Motor/Reducer Connection:

- Type of coupling: fluid, puraflex, grid, gear _____
- Direct Coupled
 - Belt Driven
 - C-face

Environment:

- Standard
- Extra Tough
- Washdown

Output Torque Requirements:

Is High Starting Torque Required? _____

- Yes
- No

Variable Speed

- Yes

(Circle One) Constant or Variable Torque

Speed Range _____

- No

Division I

Classes _____
Groups _____
Temp Code _____

Division II

Classes _____
Groups _____
Temp Code _____

Application Description / Other Comments:

PART NUMBER INDEX



Part Number	Page	Part Number	Page	Part Number	Page	Part Number	Page
014148	G1-19, G1-20, G1-30, G1-118, G2-68, G2-69, G2-70, G2-71, G2-81, G3-25, G3-26, G3-27, G3-28, G3-29, G3-30, G3-31, G3-38	13A40H56	G4-20	13Q05LR56	G4-16	13QZ25H56	G4-80
		13A40L56	G4-20	13Q05R56	G4-16	13QZ25L56	G4-80
		13A40LR56	G4-20	13Q07H56	G4-16	13QZ25LR56	G4-80
		13A40R56	G4-20	13Q07L56	G4-16	13QZ25R56	G4-80
		13A50H56	G4-20	13Q07LR56	G4-16	13QZ30H56	G4-80
		13A50L56	G4-20	13Q07R56	G4-16	13QZ30L56	G4-80
		13A50LR56	G4-20	13Q10H56	G4-16	13QZ30LR56	G4-80
014524	G3-43	13A50R56	G4-20	13Q10L56	G4-16	13QZ30R56	G4-80
014525	G3-43	13A60H56	G4-20	13Q10LR56	G4-16	13QZ40H56	G4-80
014526	G3-43	13A60L56	G4-20	13Q10R56	G4-16	13QZ40L56	G4-80
014527	G3-43	13A60LR56	G4-20	13Q15H56	G4-16	13QZ40LR56	G4-80
014528	G3-43	13A60R56	G4-20	13Q15L56	G4-16	13QZ40R56	G4-80
021832	G2-162	13AZ05H56	G4-81	13Q15LR56	G4-16	13QZ50H56	G4-80
053204	G4-139, G4-143, G4-151	13AZ05L56	G4-81	13Q15R56	G4-16	13QZ50L56	G4-80
		13AZ05LR56	G4-81	13Q20H56	G4-16	13QZ50LR56	G4-80
1315MTR14	G4-18, G4-24, G4-111	13AZ05R56	G4-81	13Q20L56	G4-16	13QZ50R56	G4-80
		13AZ07H56	G4-81	13Q20LR56	G4-16	13QZ60H56	G4-80
1315MTR56	G4-18, G4-24, G4-111	13AZ07L56	G4-81	13Q20R56	G4-16	13QZ60L56	G4-80
		13AZ07LR56	G4-81	13Q25H56	G4-16	13QZ60LR56	G4-80
13A05H14	G4-20	13AZ07R56	G4-81	13Q25L56	G4-16	13QZ60R56	G4-80
13A05H56	G4-20	13AZ10H56	G4-81	13Q25LR56	G4-16	13RISER	G4-114
13A05L14	G4-20	13AZ10L56	G4-81	13Q25R56	G4-16	13S05H	G4-18
13A05L56	G4-20	13AZ10LR56	G4-81	13Q30H56	G4-16	13S05L	G4-18
13A05LR14	G4-20	13AZ10R56	G4-81	13Q30L56	G4-16	13S05LR	G4-18
13A05LR56	G4-20	13AZ15H56	G4-81	13Q30LR56	G4-16	13S05R	G4-18
13A05R56	G4-20	13AZ15L56	G4-81	13Q30R56	G4-16	13S07H	G4-18
13A05RL14	G4-20	13AZ15LR56	G4-81	13Q40H56	G4-16	13S07L	G4-18
13A07H14	G4-20	13AZ15R56	G4-81	13Q40L56	G4-16	13S07LR	G4-18
13A07H56	G4-20	13AZ20H56	G4-81	13Q40LR56	G4-16	13S07R	G4-18
13A07L14	G4-20	13AZ20L56	G4-81	13Q40R56	G4-16	13S10H	G4-18
13A07L56	G4-20	13AZ20LR56	G4-81	13Q50H56	G4-16	13S10L	G4-18
13A07LR14	G4-20	13AZ20R56	G4-81	13Q50L56	G4-16	13S10LR	G4-18
13A07LR56	G4-20	13AZ25H56	G4-81	13Q50LR56	G4-16	13S10R	G4-18
13A07R56	G4-20	13AZ25L56	G4-81	13Q50R56	G4-16	13S15H	G4-18
13A07RL14	G4-20	13AZ25LR56	G4-81	13Q60H56	G4-16	13S15L	G4-18
13A10H14	G4-20	13AZ25R56	G4-81	13Q60L56	G4-16	13S15LR	G4-18
13A10H56	G4-20	13AZ30H56	G4-81	13Q60LR56	G4-16	13S15R	G4-18
13A10L14	G4-20	13AZ30L56	G4-81	13Q60R56	G4-16	13S20H	G4-18
13A10L56	G4-20	13AZ30LR56	G4-81	13QZ05H56	G4-80	13S20L	G4-18
13A10LR14	G4-20	13AZ30R56	G4-81	13QZ05L56	G4-80	13S20LR	G4-18
13A10LR56	G4-20	13AZ40H56	G4-81	13QZ05LR56	G4-80	13S20R	G4-18
13A10R56	G4-20	13AZ40L56	G4-81	13QZ05R56	G4-80	13S25H	G4-18
13A10RL14	G4-20	13AZ40LR56	G4-81	13QZ07H56	G4-80	13S25L	G4-18
13A15H56	G4-20	13AZ40R56	G4-81	13QZ07L56	G4-80	13S25LR	G4-18
13A15L56	G4-20	13AZ50H56	G4-81	13QZ07LR56	G4-80	13S25R	G4-18
13A15LR56	G4-20	13AZ50L56	G4-81	13QZ07R56	G4-80	13S30H	G4-18
13A15R56	G4-20	13AZ50LR56	G4-81	13QZ10H56	G4-80	13S30L	G4-18
13A20H56	G4-20	13AZ50R56	G4-81	13QZ10L56	G4-80	13S30LR	G4-18
13A20L56	G4-20	13AZ60H56	G4-81	13QZ10LR56	G4-80	13S30R	G4-18
13A20LR56	G4-20	13AZ60L56	G4-81	13QZ10R56	G4-80	13S40H	G4-18
13A20R56	G4-20	13AZ60LR56	G4-81	13QZ15H56	G4-80	13S40L	G4-18
13A25H56	G4-20	13AZ60R56	G4-81	13QZ15L56	G4-80	13S40LR	G4-18
13A25L56	G4-20	13BASE	G4-16, G4-112	13QZ15LR56	G4-80	13S40R	G4-18
13A25LR56	G4-20	13BRACKET	G4-123	13QZ15R56	G4-80	13S50H	G4-18
13A25R56	G4-20	13JMOUNT	G4-113	13QZ20H56	G4-80	13S50L	G4-18
13A30H56	G4-20	13PLUGIN	G4-124	13QZ20L56	G4-80	13S50LR	G4-18
13A30L56	G4-20	13Q05H56	G4-16	13QZ20LR56	G4-80	13S50R	G4-18
13A30LR56	G4-20	13Q05L56	G4-16	13QZ20R56	G4-80	13S60H	G4-18
13A30R56	G4-20						

PART NUMBER INDEX



Part Number	Page	Part Number	Page	Part Number	Page	Part Number	Page
13S60L	G4-18	15A50L56	G4-26	15Q07R56	G4-22	15QZ30L56	G4-82
13S60LR	G4-18	15A50LR56	G4-26	15Q10H56	G4-22	15QZ30LR56	G4-82
13S60R	G4-18	15A50R56	G4-26	15Q10L56	G4-22	15QZ30R56	G4-82
13SHAFTREV	G4-127	15A60H56	G4-26	15Q10LR56	G4-22	15QZ40H56	G4-82
13TIEROD	G4-115	15A60L56	G4-26	15Q10R56	G4-22	15QZ40L56	G4-82
13ZBASE	G4-112	15A60LR56	G4-26	15Q15H56	G4-22	15QZ40LR56	G4-82
13ZBRACKET	G4-123	15A60R56	G4-26	15Q15L56	G4-22	15QZ40R56	G4-82
13ZJMOUNT	G4-113	15AZ05H56	G4-83	15Q15LR56	G4-22	15QZ50H56	G4-82
13ZRISER	G4-114	15AZ05L56	G4-83	15Q15R56	G4-22	15QZ50L56	G4-82
156HA456	G4-108, G4-109, G4-110	15AZ05LR56	G4-83	15Q20H56	G4-22	15QZ50LR56	G4-82
156HA556	G4-108, G4-109, G4-110	15AZ05R56	G4-83	15Q20L56	G4-22	15QZ50R56	G4-82
15A05H14	G4-26	15AZ07H56	G4-83	15Q20LR56	G4-22	15QZ60H56	G4-82
15A05H56	G4-26	15AZ07L56	G4-83	15Q20R56	G4-22	15QZ60L56	G4-82
15A05L14	G4-26	15AZ07R56	G4-83	15Q25H56	G4-22	15QZ60LR56	G4-82
15A05L56	G4-26	15AZ10H56	G4-83	15Q25L56	G4-22	15QZ60R56	G4-82
15A05LR14	G4-26	15AZ10L56	G4-83	15Q25LR56	G4-22	15RISER	G4-114
15A05LR56	G4-26	15AZ10R56	G4-83	15Q25R56	G4-22	15S05H	G4-24
15A05R14	G4-26	15AZ15H56	G4-83	15Q30H56	G4-22	15S05L	G4-24
15A05R56	G4-26	15AZ15L56	G4-83	15Q30L56	G4-22	15S05LR	G4-24
15A07H14	G4-26	15AZ15R56	G4-83	15Q30R56	G4-22	15S05R	G4-24
15A07H56	G4-26	15AZ15LR56	G4-83	15Q30R56	G4-22	15S07H	G4-24
15A07L14	G4-26	15AZ20H56	G4-83	15Q40H56	G4-22	15S07L	G4-24
15A07L56	G4-26	15AZ20L56	G4-83	15Q40L56	G4-22	15S07LR	G4-24
15A07LR14	G4-26	15AZ20R56	G4-83	15Q40LR56	G4-22	15S07R	G4-24
15A07LR56	G4-26	15AZ25H56	G4-83	15Q40R56	G4-22	15S10H	G4-24
15A07R14	G4-26	15AZ25L56	G4-83	15Q50H56	G4-22	15S10L	G4-24
15A07R56	G4-26	15AZ25LR56	G4-83	15Q50L56	G4-22	15S10LR	G4-24
15A10H14	G4-26	15AZ25R56	G4-83	15Q50LR56	G4-22	15S10R	G4-24
15A10H56	G4-26	15AZ25R56	G4-83	15Q50R56	G4-22	15S15H	G4-24
15A10L14	G4-26	15AZ30H56	G4-83	15Q60H56	G4-22	15S15L	G4-24
15A10L56	G4-26	15AZ30L56	G4-83	15Q60L56	G4-22	15S15LR	G4-24
15A10LR14	G4-26	15AZ30R56	G4-83	15Q60LR56	G4-22	15S15R	G4-24
15A10LR56	G4-26	15AZ30R56	G4-83	15Q60R56	G4-22	15S20H	G4-24
15A10R14	G4-26	15AZ40H56	G4-83	15Q60R56	G4-22	15S20L	G4-24
15A10R56	G4-26	15AZ40L56	G4-83	15QZ05H56	G4-82	15S20LR	G4-24
15A15H56	G4-26	15AZ40LR56	G4-83	15QZ05L56	G4-82	15S20R	G4-24
15A15L56	G4-26	15AZ40R56	G4-83	15QZ05LR56	G4-82	15S25H	G4-24
15A15LR56	G4-26	15AZ50H56	G4-83	15QZ05R56	G4-82	15S25L	G4-24
15A15R56	G4-26	15AZ50L56	G4-83	15QZ07H56	G4-82	15S25LR	G4-24
15A20H56	G4-26	15AZ50LR56	G4-83	15QZ07L56	G4-82	15S25R	G4-24
15A20L56	G4-26	15AZ50R56	G4-83	15QZ07R56	G4-82	15S30H	G4-24
15A20LR56	G4-26	15AZ60H56	G4-83	15QZ10H56	G4-82	15S30L	G4-24
15A20R56	G4-26	15AZ60L56	G4-83	15QZ10L56	G4-82	15S30LR	G4-24
15A25H56	G4-26	15AZ60LR56	G4-83	15QZ10LR56	G4-82	15S30R	G4-24
15A25L56	G4-26	15AZ60R56	G4-83	15QZ10R56	G4-82	15S40H	G4-24
15A25LR56	G4-26	15AZ60R56	G4-83	15QZ15H56	G4-82	15S40L	G4-24
15A25R56	G4-26	15BASE	G4-26, G4-112	15QZ15L56	G4-82	15S40LR	G4-24
15A30H56	G4-26	15BRACKET	G4-123	15QZ15LR56	G4-82	15S40R	G4-24
15A30L56	G4-26	15JMOUNT	G4-113	15QZ15R56	G4-82	15S50H	G4-24
15A30LR56	G4-26	15PLUGIN	G4-124	15QZ20H56	G4-82	15S50L	G4-24
15A30R56	G4-26	15Q05H56	G4-22	15QZ20L56	G4-82	15S50LR	G4-24
15A40H56	G4-26	15Q05L56	G4-22	15QZ20LR56	G4-82	15S50R	G4-24
15A40L56	G4-26	15Q05LR56	G4-22	15QZ20R56	G4-82	15S60H	G4-24
15A40LR56	G4-26	15Q05R56	G4-22	15QZ25H56	G4-82	15S60L	G4-24
15A40R56	G4-26	15Q07H56	G4-22	15QZ25L56	G4-82	15S60LR	G4-24
15A50H56	G4-26	15Q07L56	G4-22	15QZ25LR56	G4-82	15S60R	G4-24
		15Q07LR56	G4-22	15QZ25R56	G4-82	15SHAFTREV	G4-127
				15QZ30H56	G4-82	15TIEROD	G4-115

PART NUMBER INDEX



Part Number	Page	Part Number	Page	Part Number	Page	Part Number	Page
15ZBASE	G4-112	17A10LR14	G4-32	17AS10L56	G4-97	17AZ10H56	G4-85
15ZBRACKET	G4-123	17A10R14	G4-32	17AS10LR14	G4-97	17AZ10L14	G4-85
15ZJMOUNT	G4-113	17A10R56	G4-32	17AS10LR56	G4-97	17AZ10L56	G4-85
15ZRISER	G4-114	17A15H14	G4-32	17AS10R14	G4-97	17AZ10LR14	G4-85
1720MTR14	G4-30, G4-38, G4-111	17A15H56	G4-32	17AS10R56	G4-97	17AZ10LR56	G4-85
1720MTR56	G4-30, G4-38, G4-111	17A15L14	G4-32	17AS15H14	G4-97	17AZ10R14	G4-85
176Q05L14	G4-34	17A15L56	G4-32	17AS15H56	G4-97	17AZ10R56	G4-85
176Q05L56	G4-34	17A15LR14	G4-32	17AS15L14	G4-97	17AZ15H14	G4-85
176Q05R14	G4-34	17A15LR56	G4-32	17AS15L56	G4-97	17AZ15H56	G4-85
176Q05R56	G4-34	17A15R14	G4-32	17AS15LR14	G4-97	17AZ15L14	G4-85
176Q07L14	G4-34	17A15R56	G4-32	17AS15LR56	G4-97	17AZ15L56	G4-85
176Q07L56	G4-34	17A20H14	G4-32	17AS15R14	G4-97	17AZ15LR14	G4-85
176Q07R14	G4-34	17A20H56	G4-32	17AS15R56	G4-97	17AZ15LR56	G4-85
176Q07R56	G4-34	17A20L14	G4-32	17AS20H14	G4-97	17AZ15R14	G4-85
176Q10L14	G4-34	17A20L56	G4-32	17AS20H56	G4-97	17AZ15R56	G4-85
176Q10L56	G4-34	17A20LR14	G4-32	17AS20L14	G4-97	17AZ20H14	G4-85
176Q10R14	G4-34	17A20LR56	G4-32	17AS20L56	G4-97	17AZ20H56	G4-85
176Q10R56	G4-34	17A20R14	G4-32	17AS20LR14	G4-97	17AZ20L14	G4-85
176Q15L14	G4-34	17A20R56	G4-32	17AS20LR56	G4-97	17AZ20L56	G4-85
176Q15L56	G4-34	17A25H56	G4-32	17AS20R14	G4-97	17AZ20LR14	G4-85
176Q15R14	G4-34	17A25L56	G4-32	17AS20R56	G4-97	17AZ20LR56	G4-85
176Q15R56	G4-34	17A25LR56	G4-32	17AS25H56	G4-97	17AZ20R14	G4-85
176Q20L14	G4-34	17A25R56	G4-32	17AS25L56	G4-97	17AZ20R56	G4-85
176Q20L56	G4-34	17A30H56	G4-32	17AS25LR56	G4-97	17AZ25H56	G4-85
176Q20R14	G4-34	17A30L56	G4-32	17AS25R56	G4-97	17AZ25L56	G4-85
176Q20R56	G4-34	17A30LR56	G4-32	17AS30H56	G4-97	17AZ25LR56	G4-85
176Q25L56	G4-34	17A30R56	G4-32	17AS30L56	G4-97	17AZ25R56	G4-85
176Q25R56	G4-34	17A40H56	G4-32	17AS30LR56	G4-97	17AZ30H56	G4-85
176Q30L56	G4-34	17A40L56	G4-32	17AS30R56	G4-97	17AZ30L56	G4-85
176Q30R56	G4-34	17A40LR56	G4-32	17AS40H56	G4-97	17AZ30LR56	G4-85
176Q40L56	G4-34	17A40R56	G4-32	17AS40L56	G4-97	17AZ30R56	G4-85
176Q40R56	G4-34	17A50H56	G4-32	17AS40LR56	G4-97	17AZ40H56	G4-85
176Q50L56	G4-34	17A50L56	G4-32	17AS40R56	G4-97	17AZ40L56	G4-85
176Q50R56	G4-34	17A50LR56	G4-32	17AS50H56	G4-97	17AZ40LR56	G4-85
176Q60L56	G4-34	17A50R56	G4-32	17AS50L56	G4-97	17AZ40R56	G4-85
176Q60R56	G4-34	17A60H56	G4-32	17AS50LR56	G4-97	17AZ50H56	G4-85
17A05H14	G4-32	17A60L56	G4-32	17AS50R56	G4-97	17AZ50L56	G4-85
17A05H56	G4-32	17A60LR56	G4-32	17AS60H56	G4-97	17AZ50LR56	G4-85
17A05L14	G4-32	17A60R56	G4-32	17AS60L56	G4-97	17AZ50R56	G4-85
17A05L56	G4-32	17AS05H14	G4-97	17AS60LR56	G4-97	17AZ60H56	G4-85
17A05LR14	G4-32	17AS05H56	G4-97	17AS60R56	G4-97	17AZ60L56	G4-85
17A05LR56	G4-32	17AS05L14	G4-97	17AZ05H14	G4-85	17AZ60LR56	G4-85
17A05R14	G4-32	17AS05L56	G4-97	17AZ05H56	G4-85	17AZ60R56	G4-85
17A05R56	G4-32	17AS05LR14	G4-97	17AZ05L14	G4-85	17BASE	G4-28, G4-32, G4-34, G4-112
17A07H14	G4-32	17AS05LR56	G4-97	17AZ05L56	G4-85	17BRACKET	G4-123
17A07H56	G4-32	17AS05R14	G4-97	17AZ05LR14	G4-85	17CLSDCOVER	G4-128
17A07L14	G4-32	17AS05R56	G4-97	17AZ05LR56	G4-85	17FLANGE	G4-116
17A07L56	G4-32	17AS07H14	G4-97	17AZ05R14	G4-85	17JMOUNT	G4-113
17A07LR14	G4-32	17AS07H56	G4-97	17AZ05R56	G4-85	17OPENCOVER	G4-128
17A07LR56	G4-32	17AS07L14	G4-97	17AZ07H14	G4-85	17PLUGIN	G4-124
17A07R14	G4-32	17AS07L56	G4-97	17AZ07H56	G4-85	17Q05H14	G4-28
17A07R56	G4-32	17AS07LR14	G4-97	17AZ07H56	G4-85	17Q05H56	G4-28
17A10H14	G4-32	17AS07LR56	G4-97	17AZ07L14	G4-85	17Q05L14	G4-28
17A10H56	G4-32	17AS07R14	G4-97	17AZ07L56	G4-85	17Q05L56	G4-28
17A10L14	G4-32	17AS07R56	G4-97	17AZ07LR14	G4-85	17Q05LR14	G4-28
17A10L56	G4-32	17AS10H14	G4-97	17AZ07LR56	G4-85	17Q05LR56	G4-28
		17AS10H56	G4-97	17AZ07R14	G4-85		
		17AS10L14	G4-97	17AZ07R56	G4-85		
				17AZ10H14	G4-85		

PART NUMBER INDEX



Part Number	Page	Part Number	Page	Part Number	Page	Part Number	Page
17Q05R56	G4-28	17QS05LR56	G4-96	17QZ05L56	G4-84	17S05H	G4-30
17Q07H14	G4-28	17QS05R14	G4-96	17QZ05LR14	G4-84	17S05L	G4-30
17Q07H56	G4-28	17QS05R56	G4-96	17QZ05LR56	G4-84	17S05LR	G4-30
17Q07L14	G4-28	17QS07H14	G4-96	17QZ05R14	G4-84	17S05R	G4-30
17Q07L56	G4-28	17QS07H56	G4-96	17QZ05R56	G4-84	17S07H	G4-30
17Q07LR14	G4-28	17QS07L14	G4-96	17QZ07H14	G4-84	17S07L	G4-30
17Q07LR56	G4-28	17QS07L56	G4-96	17QZ07H56	G4-84	17S07LR	G4-30
17Q07R14	G4-28	17QS07LR14	G4-96	17QZ07L14	G4-84	17S07R	G4-30
17Q07R56	G4-28	17QS07LR56	G4-96	17QZ07L56	G4-84	17S10H	G4-30
17Q10H14	G4-28	17QS07R14	G4-96	17QZ07LR14	G4-84	17S10L	G4-30
17Q10H56	G4-28	17QS07R56	G4-96	17QZ07LR56	G4-84	17S10LR	G4-30
17Q10L14	G4-28	17QS10H14	G4-96	17QZ07R14	G4-84	17S10R	G4-30
17Q10L56	G4-28	17QS10H56	G4-96	17QZ07R56	G4-84	17S15H	G4-30
17Q10LR14	G4-28	17QS10L14	G4-96	17QZ10H14	G4-84	17S15L	G4-30
17Q10LR56	G4-28	17QS10L56	G4-96	17QZ10H56	G4-84	17S15LR	G4-30
17Q10R14	G4-28	17QS10LR14	G4-96	17QZ10L14	G4-84	17S15R	G4-30
17Q10R56	G4-28	17QS10LR56	G4-96	17QZ10L56	G4-84	17S20H	G4-30
17Q15H14	G4-28	17QS10R14	G4-96	17QZ10LR14	G4-84	17S20L	G4-30
17Q15H56	G4-28, G4-108	17QS10R56	G4-96	17QZ10LR56	G4-84	17S20LR	G4-30
17Q15L14	G4-28	17QS15H14	G4-96	17QZ10R14	G4-84	17S20R	G4-30
17Q15L56	G4-28, G4-108	17QS15H56	G4-96	17QZ10R56	G4-84	17S25H	G4-30
17Q15LR14	G4-28	17QS15L14	G4-96	17QZ15H14	G4-84	17S25L	G4-30
17Q15LR56	G4-28, G4-108	17QS15L56	G4-96	17QZ15H56	G4-84	17S25LR	G4-30
17Q15R14	G4-28	17QS15LR14	G4-96	17QZ15L14	G4-84	17S25R	G4-30
17Q15R56	G4-28, G4-108	17QS15LR56	G4-96	17QZ15L56	G4-84	17S30H	G4-30
17Q20H14	G4-28	17QS15R14	G4-96	17QZ15LR14	G4-84	17S30L	G4-30
17Q20H56	G4-28, G4-108	17QS15R56	G4-96	17QZ15LR56	G4-84	17S30LR	G4-30
17Q20L14	G4-28	17QS20H14	G4-96	17QZ15R14	G4-84	17S30R	G4-30
17Q20L56	G4-28, G4-108	17QS20H56	G4-96	17QZ15R56	G4-84	17S40H	G4-30
17Q20LR14	G4-28	17QS20L14	G4-96	17QZ20H14	G4-84	17S40L	G4-30
17Q20LR56	G4-28, G4-108	17QS20L56	G4-96	17QZ20H56	G4-84	17S40LR	G4-30
17Q20R14	G4-28	17QS20LR14	G4-96	17QZ20L14	G4-84	17S40R	G4-30
17Q20R56	G4-28, G4-108	17QS20LR56	G4-96	17QZ20L56	G4-84	17S50H	G4-30
17Q25H56	G4-28	17QS20R14	G4-96	17QZ20LR14	G4-84	17S50L	G4-30
17Q25L56	G4-28	17QS20R56	G4-96	17QZ20LR56	G4-84	17S50LR	G4-30
17Q25LR56	G4-28	17QS25H56	G4-96	17QZ20R14	G4-84	17S50R	G4-30
17Q25R56	G4-28	17QS25L56	G4-96	17QZ20R56	G4-84	17S60H	G4-30
17Q30H56	G4-28	17QS25LR56	G4-96	17QZ25H56	G4-84	17S60L	G4-30
17Q30L56	G4-28	17QS25R56	G4-96	17QZ25L56	G4-84	17S60LR	G4-30
17Q30LR56	G4-28	17QS30H56	G4-96	17QZ25LR56	G4-84	17S60R	G4-30
17Q30R56	G4-28	17QS30L56	G4-96	17QZ25R56	G4-84	17SBASE	G4-112
17Q40H56	G4-28	17QS30LR56	G4-96	17QZ30H56	G4-84	17SFLANGE	G4-116
17Q40L56	G4-28	17QS30R56	G4-96	17QZ30L56	G4-84	17SHAFTREV	G4-127
17Q40LR56	G4-28	17QS40H56	G4-96	17QZ30LR56	G4-84	17TIEROD	G4-115
17Q40R56	G4-28	17QS40L56	G4-96	17QZ30R56	G4-84	17ZBASE	G4-112
17Q50H56	G4-28	17QS40LR56	G4-96	17QZ40H56	G4-84	17ZBRACKET	G4-123
17Q50L56	G4-28	17QS40R56	G4-96	17QZ40L56	G4-84	17ZFLANGE	G4-116
17Q50LR56	G4-28	17QS50H56	G4-96	17QZ40LR56	G4-84	17ZJMOUNT	G4-113
17Q50R56	G4-28	17QS50L56	G4-96	17QZ40R56	G4-84	17ZRISER	G4-114
17Q60H56	G4-28	17QS50LR56	G4-96	17QZ50H56	G4-84	2023TIEROD	G4-115
17Q60L56	G4-28	17QS50R56	G4-96	17QZ50L56	G4-84	202Q05L14	G4-42
17Q60LR56	G4-28	17QS60H56	G4-96	17QZ50LR56	G4-84	202Q05L56	G4-42
17Q60R56	G4-28	17QS60L56	G4-96	17QZ50R56	G4-84	202Q05R14	G4-42
17QS05H14	G4-96	17QS60LR56	G4-96	17QZ60H56	G4-84	202Q05R56	G4-42
17QS05H56	G4-96	17QS60R56	G4-96	17QZ60L56	G4-84	202Q07L14	G4-42
17QS05L14	G4-96	17QZ05H14	G4-84	17QZ60LR56	G4-84	202Q07L56	G4-42
17QS05L56	G4-96	17QZ05H56	G4-84	17QZ60R56	G4-84	202Q07R14	G4-42
17QS05LR14	G4-96	17QZ05L14	G4-84	17RISER	G4-114	202Q07R56	G4-42

PART NUMBER INDEX



Part Number	Page	Part Number	Page	Part Number	Page	Part Number	Page
202Q10L14	G4-42	20A12L14	G4-40	20A50LR56	G4-40	20AZ25H56	G4-87
202Q10L56	G4-42	20A12L56	G4-40	20A50R56	G4-40	20AZ25HA14	G4-87
202Q10R14	G4-42	20A12LR14	G4-40	20A60H56	G4-40	20AZ25HA56	G4-87
202Q10R56	G4-42	20A12LR56	G4-40	20A60HA56	G4-40, G4-118	20AZ25L14	G4-87
202Q15L14	G4-42	20A12R14	G4-40	20A60L56	G4-40	20AZ25L56	G4-87
202Q15L56	G4-42	20A12R56	G4-40	20A60LR56	G4-40	20AZ25LR14	G4-87
202Q15R14	G4-42	20A15H14	G4-40	20A60R56	G4-40	20AZ25LR56	G4-87
202Q15R56	G4-42	20A15H56	G4-40	20AZ05H14	G4-87	20AZ25R14	G4-87
202Q20L14	G4-42	20A15HA14	G4-40, G4-118	20AZ05H56	G4-87	20AZ25R56	G4-87
202Q20L56	G4-42	20A15HA56	G4-40, G4-118	20AZ05HA14	G4-87	20AZ30H56	G4-87
202Q20R14	G4-42	20A15L14	G4-40	20AZ05HA56	G4-87	20AZ30HA56	G4-87
202Q20R56	G4-42	20A15L56	G4-40	20AZ05L14	G4-87	20AZ30L56	G4-87
202Q25L14	G4-42	20A15LR14	G4-40	20AZ05L56	G4-87	20AZ30LR56	G4-87
202Q25L56	G4-42	20A15LR56	G4-40	20AZ05LR14	G4-87	20AZ30R56	G4-87
202Q25R14	G4-42	20A15R14	G4-40	20AZ05LR56	G4-87	20AZ40H56	G4-87
202Q25R56	G4-42	20A15R56	G4-40	20AZ05R14	G4-87	20AZ40HA56	G4-87
202Q30L56	G4-42	20A18H14	G4-40	20AZ05R56	G4-87	20AZ40L56	G4-87
202Q30R56	G4-42	20A18H56	G4-40	20AZ07H14	G4-87	20AZ40LR56	G4-87
202Q40L56	G4-42	20A18HA14	G4-40	20AZ07H56	G4-87	20AZ40R56	G4-87
202Q40R56	G4-42	20A18HA56	G4-40	20AZ07HA14	G4-87	20AZ50H56	G4-87
202Q50L56	G4-42	20A18L14	G4-40	20AZ07HA56	G4-87	20AZ50HA56	G4-87
202Q50R56	G4-42	20A18L56	G4-40	20AZ07L14	G4-87	20AZ50L56	G4-87
202Q60L56	G4-42	20A18LR14	G4-40	20AZ07L56	G4-87	20AZ50LR56	G4-87
202Q60R56	G4-42	20A18LR56	G4-40	20AZ07LR14	G4-87	20AZ50R56	G4-87
20A05H14	G4-40	20A18R14	G4-40	20AZ07LR56	G4-87	20AZ60H56	G4-87
20A05H56	G4-40	20A18R56	G4-40	20AZ07R14	G4-87	20AZ60HA56	G4-87
20A05HA14	G4-40, G4-118	20A20H14	G4-40	20AZ07R56	G4-87	20AZ60L56	G4-87
20A05HA56	G4-40, G4-118	20A20H56	G4-40	20AZ10H14	G4-87	20AZ60LR56	G4-87
20A05L14	G4-40	20A20HA14	G4-40, G4-118	20AZ10H56	G4-87	20AZ60R56	G4-87
20A05L56	G4-40	20A20HA56	G4-40, G4-118	20AZ10HA14	G4-87	20BASE	G4-36, G4-40, G4-42, G4-112
20A05LR14	G4-40	20A20L14	G4-40	20AZ10HA56	G4-87	20BRACKET	G4-123
20A05LR56	G4-40	20A20L56	G4-40	20AZ10L14	G4-87	20BUSH100	G4-117
20A05R14	G4-40	20A20L56	G4-40	20AZ10L56	G4-87	20CLSDCOVER	G4-128
20A05R56	G4-40	20A20LR14	G4-40	20AZ10LR14	G4-87	20FLANGE	G4-116
20A07H14	G4-40	20A20LR56	G4-40	20AZ10LR56	G4-87	20JMOUNT	G4-113
20A07H56	G4-40	20A20R14	G4-40	20AZ10R56	G4-87	20OPENCOVER	G4-128
20A07HA14	G4-40, G4-118	20A20R56	G4-40	20AZ10R56	G4-87	20PLUGIN	G4-124
20A07HA56	G4-40, G4-118	20A25H14	G4-40	20AZ15H14	G4-87	20Q05H14	G4-36
20A07L14	G4-40	20A25H56	G4-40	20AZ15H56	G4-87	20Q05H56	G4-36
20A07L56	G4-40	20A25HA14	G4-40, G4-118	20AZ15HA14	G4-87	20Q05HA14	G4-36, G4-118
20A07LR14	G4-40	20A25HA56	G4-40, G4-118	20AZ15HA56	G4-87	20Q05HA56	G4-36, G4-118
20A07LR56	G4-40	20A25L14	G4-40	20AZ15L14	G4-87	20Q05L14	G4-36
20A07R14	G4-40	20A25L56	G4-40	20AZ15L56	G4-87	20Q05L56	G4-36
20A07R56	G4-40	20A25LR14	G4-40	20AZ15LR14	G4-87	20Q05LR14	G4-36
20A10H14	G4-40	20A25LR56	G4-40	20AZ15LR56	G4-87	20Q05LR56	G4-36
20A10H56	G4-40	20A25R14	G4-40	20AZ15R14	G4-87	20Q05R14	G4-36
20A10HA14	G4-40, G4-118	20A25R56	G4-40	20AZ15R56	G4-87	20Q05R56	G4-36
20A10HA56	G4-40, G4-118	20A30H56	G4-40	20AZ15R56	G4-87	20Q07H14	G4-36
20A10L14	G4-40	20A30HA56	G4-40, G4-118	20AZ20H14	G4-87	20Q07H56	G4-36
20A10L56	G4-40	20A30L56	G4-40	20AZ20H56	G4-87	20Q07HA14	G4-36, G4-118
20A10LR14	G4-40	20A30LR56	G4-40	20AZ20HA14	G4-87	20Q07HA56	G4-36, G4-118
20A10LR56	G4-40	20A30R56	G4-40	20AZ20HA56	G4-87	20Q07L14	G4-36
20A10R14	G4-40	20A40H56	G4-40	20AZ20L14	G4-87	20Q07L56	G4-36
20A10R56	G4-40	20A40HA56	G4-40, G4-118	20AZ20L56	G4-87	20Q07LR14	G4-36
20A12H14	G4-40	20A40L56	G4-40	20AZ20LR14	G4-87	20Q07LR56	G4-36
20A12H56	G4-40	20A40LR56	G4-40	20AZ20LR56	G4-87	20Q07R14	G4-36
20A12HA14	G4-40	20A40R56	G4-40	20AZ20R14	G4-87	20Q07R56	G4-36
20A12HA56	G4-40	20A50H56	G4-40	20AZ20R56	G4-87		
		G4-40, G4-118	20A50L56	20AZ25H14	G4-87		

PART NUMBER INDEX



Part Number	Page	Part Number	Page	Part Number	Page	Part Number	Page
20Q10H14	G4-36	20Q25R14	G4-36	20QZ15LR14	G4-86	20S10LR	G4-38
20Q10H56	G4-36	20Q25R56	G4-36, G4-108	20QZ15LR56	G4-86	20S10R	G4-38
20Q10HA14	G4-36, G4-118	20Q30H56	G4-36, G4-108	20QZ15R14	G4-86	20S12H	G4-38
20Q10HA56	G4-36, G4-118	20Q30HA56	G4-36, G4-118	20QZ15R56	G4-86	20S12HA	G4-38
20Q10L14	G4-36	20Q30L56	G4-36, G4-108	20QZ20H14	G4-86	20S12L	G4-38
20Q10L56	G4-36	20Q30LR56	G4-36, G4-108	20QZ20H56	G4-86	20S12LR	G4-38
20Q10LR14	G4-36	20Q30R56	G4-36, G4-108	20QZ20HA14	G4-86	20S12R	G4-38
20Q10LR56	G4-36	20Q40H56	G4-36	20QZ20HA56	G4-86	20S15H	G4-38
20Q10R14	G4-36	20Q40HA56	G4-36, G4-118	20QZ20L14	G4-86	20S15HA	G4-38, G4-118
20Q10R56	G4-36	20Q40L56	G4-36	20QZ20L56	G4-86	20S15L	G4-38
20Q12H14	G4-36	20Q40LR56	G4-36	20QZ20LR14	G4-86	20S15LR	G4-38
20Q12H56	G4-36	20Q40R56	G4-36	20QZ20LR56	G4-86	20S15R	G4-38
20Q12HA14	G4-36	20Q50H56	G4-36	20QZ20R14	G4-86	20S18H	G4-38
20Q12HA56	G4-36	20Q50HA56	G4-36, G4-118	20QZ20R56	G4-86	20S18HA	G4-38
20Q12L14	G4-36	20Q50L56	G4-36	20QZ25H14	G4-86	20S18L	G4-38
20Q12L56	G4-36	20Q50LR56	G4-36	20QZ25H56	G4-86	20S18LR	G4-38
20Q12LR14	G4-36	20Q50R56	G4-36	20QZ25HA14	G4-86	20S18R	G4-38
20Q12LR56	G4-36	20Q60H56	G4-36	20QZ25HA56	G4-86	20S20H	G4-38
20Q12R14	G4-36	20Q60HA56	G4-36, G4-118	20QZ25L14	G4-86	20S20HA	G4-38, G4-118
20Q12R56	G4-36	20Q60L56	G4-36	20QZ25L56	G4-86	20S20L	G4-38
20Q15H14	G4-36	20Q60LR56	G4-36	20QZ25LR14	G4-86	20S20LR	G4-38
20Q15H56	G4-36, G4-108	20Q60R56	G4-36	20QZ25LR56	G4-86	20S20R	G4-38
20Q15HA14	G4-36, G4-118	20QZ05H14	G4-86	20QZ25R14	G4-86	20S25H	G4-38
20Q15HA56	G4-36, G4-118	20QZ05H56	G4-86	20QZ25R56	G4-86	20S25HA	G4-38, G4-118
20Q15L14	G4-36	20QZ05HA14	G4-86	20QZ30H56	G4-86	20S25L	G4-38
20Q15L56	G4-36, G4-108	20QZ05HA56	G4-86	20QZ30HA56	G4-86	20S25LR	G4-38
20Q15LR14	G4-36	20QZ05L14	G4-86	20QZ30L56	G4-86	20S25R	G4-38
20Q15LR56	G4-36, G4-108	20QZ05LR14	G4-86	20QZ30LR56	G4-86	20S30H	G4-38
20Q15R14	G4-36	20QZ05LR56	G4-86	20QZ30R56	G4-86	20S30HA	G4-38, G4-118
20Q15R56	G4-36, G4-108	20QZ05R14	G4-86	20QZ40H56	G4-86	20S30L	G4-38
20Q18H14	G4-36	20QZ05R56	G4-86	20QZ40HA56	G4-86	20S30LR	G4-38
20Q18H56	G4-36	20QZ07H14	G4-86	20QZ40L56	G4-86	20S30R	G4-38
20Q18HA14	G4-36	20QZ07H56	G4-86	20QZ40LR56	G4-86	20S40H	G4-38
20Q18HA56	G4-36	20QZ07HA14	G4-86	20QZ40R56	G4-86	20S40HA	G4-38, G4-118
20Q18L14	G4-36	20QZ07HA56	G4-86	20QZ50H56	G4-86	20S40L	G4-38
20Q18L56	G4-36	20QZ07L14	G4-86	20QZ50HA56	G4-86	20S40LR	G4-38
20Q18LR14	G4-36	20QZ07L56	G4-86	20QZ50L56	G4-86	20S40R	G4-38
20Q18LR56	G4-36	20QZ07LR14	G4-86	20QZ50LR56	G4-86	20S50H	G4-38
20Q18R14	G4-36	20QZ07LR56	G4-86	20QZ60H56	G4-86	20S50HA	G4-38, G4-118
20Q18R56	G4-36	20QZ07R14	G4-86	20QZ60HA56	G4-86	20S50L	G4-38
20Q20H14	G4-36	20QZ07R56	G4-86	20QZ60L56	G4-86	20S50LR	G4-38
20Q20H56	G4-36, G4-118	20QZ10H14	G4-86	20QZ60LR56	G4-86	20S50R	G4-38
20Q20HA14	G4-36, G4-118	20QZ10H56	G4-86	20QZ60R56	G4-86	20S60H	G4-38
20Q20HA56	G4-36, G4-118	20QZ10HA14	G4-86	20RISER	G4-114	20S60HA	G4-38, G4-118
20Q20L14	G4-36	20QZ10HA56	G4-86	20S05H	G4-38	20S60L	G4-38
20Q20L56	G4-36, G4-118	20QZ10L14	G4-86	20S05HA	G4-38, G4-118	20S60LR	G4-38
20Q20LR14	G4-36	20QZ10L56	G4-86	20S05LR	G4-38	20S60R	G4-38
20Q20LR56	G4-36, G4-118	20QZ10LR14	G4-86	20S05R	G4-38	20SBUSH100	G4-117
20Q20R14	G4-36	20QZ10LR56	G4-86	20S07H	G4-38	20SHAFTREV	G4-127
20Q20R56	G4-36, G4-118	20QZ10R14	G4-86	20S07HA	G4-38, G4-118	20ZBASE	G4-112
20Q25H14	G4-36	20QZ10R56	G4-86	20S07L	G4-38	20ZBRACKET	G4-123
20Q25H56	G4-36, G4-118	20QZ15H14	G4-86	20S07LR	G4-38	20ZFLANGE	G4-116
20Q25HA14	G4-36, G4-118	20QZ15H56	G4-86	20S07R	G4-38	20ZJMOUNT	G4-113
20Q25HA56	G4-36, G4-118	20QZ15HA14	G4-86	20S07R	G4-38	20ZRISER	G4-114
20Q25L14	G4-36	20QZ15HA56	G4-86	20S10H	G4-38	214HA414	G4-108, G4-110
20Q25L56	G4-36, G4-118	20QZ15L14	G4-86	20S10HA	G4-38, G4-118	214HA514	G4-108, G4-110
20Q25LR14	G4-36	20QZ15L56	G4-86	20S10L	G4-38	21QS05H14	G4-98
20Q25LR56	G4-36, G4-118					21QS05H56	G4-98

PART NUMBER INDEX



Part Number	Page	Part Number	Page	Part Number	Page	Part Number	Page
21QS05L14	G4-98	2330MTR18	G4-46,	23A12LR14	G4-48	23A50L56	G4-48
21QS05L56	G4-98	G4-52, G4-58, G4-111		23A12LR18	G4-48	23A50LR56	G4-48
21QS05R14	G4-98	2330MTR56	G4-46,	23A12LR56	G4-48	23A50R56	G4-48
21QS05R56	G4-98	G4-52, G4-58, G4-111		23A12R14	G4-48	23A60H56	G4-48
21QS07H14	G4-98	23A05H14	G4-48	23A12R18	G4-48	23A60HA56	G4-48, G4-118
21QS07H56	G4-98	23A05H18	G4-48	23A12R56	G4-48	23A60L56	G4-48
21QS07L14	G4-98	23A05H56	G4-48	23A15H14	G4-48	23A60LR56	G4-48
21QS07L56	G4-98	23A05HA14	G4-48, G4-118	23A15H56	G4-48	23A60R56	G4-48
21QS07R14	G4-98	23A05HA18	G4-48, G4-118	23A15HA14	G4-48, G4-118	23AS05H14	G4-100
21QS07R56	G4-98	23A05HA56	G4-48, G4-118	23A15HA56	G4-48, G4-118	23AS05H18	G4-100
21QS10H14	G4-98	23A05L14	G4-48	23A15L14	G4-48	23AS05H56	G4-100
21QS10H56	G4-98	23A05L18	G4-48	23A15L56	G4-48	23AS05HA14	G4-100
21QS10L14	G4-98	23A05L56	G4-48	23A15LR14	G4-48	23AS05HA18	G4-100
21QS10L56	G4-98	23A05LR14	G4-48	23A15LR56	G4-48	23AS05HA56	G4-100
21QS10R14	G4-98	23A05LR18	G4-48	23A15R14	G4-48	23AS05L14	G4-100
21QS10R56	G4-98	23A05LR56	G4-48	23A15R56	G4-48	23AS05L18	G4-100
21QS15H14	G4-98	23A05R14	G4-48	23A20H14	G4-48	23AS05L56	G4-100
21QS15H56	G4-98	23A05R18	G4-48	23A20H56	G4-48	23AS05LR14	G4-100
21QS15L14	G4-98	23A05R56	G4-48	23A20HA14	G4-48, G4-118	23AS05LR18	G4-100
21QS15L56	G4-98	23A07H14	G4-48	23A20HA56	G4-48, G4-118	23AS05LR56	G4-100
21QS15R14	G4-98	23A07H18	G4-48	23A20L14	G4-48	23AS05R14	G4-100
21QS15R56	G4-98	23A07H56	G4-48	23A20L56	G4-48	23AS05R18	G4-100
21QS20H14	G4-98	23A07HA14	G4-48, G4-118	23A20LR14	G4-48	23AS05R56	G4-100
21QS20H56	G4-98	23A07HA18	G4-48, G4-118	23A20LR56	G4-48	23AS07H18	G4-100
21QS20L14	G4-98	23A07HA56	G4-48, G4-118	23A20R14	G4-48	23AS07H56	G4-100
21QS20L56	G4-98	23A07L14	G4-48	23A20R56	G4-48	23AS07HA14	G4-100
21QS20R14	G4-98	23A07L18	G4-48	23A25H14	G4-48	23AS07HA18	G4-100
21QS20R56	G4-98	23A07L56	G4-48	23A25H56	G4-48	23AS07HA56	G4-100
21QS25H14	G4-98	23A07LR14	G4-48	23A25HA14	G4-48, G4-118	23AS07L14	G4-100
21QS25H56	G4-98	23A07LR18	G4-48	23A25HA56	G4-48, G4-118	23AS07L18	G4-100
21QS25L14	G4-98	23A07LR56	G4-48	23A25L14	G4-48	23AS07L56	G4-100
21QS25L56	G4-98	23A07R14	G4-48	23A25L56	G4-48	23AS07LR14	G4-100
21QS25R14	G4-98	23A07R18	G4-48	23A25LR14	G4-48	23AS07LR18	G4-100
21QS25R56	G4-98	23A07R56	G4-48	23A25LR56	G4-48	23AS07LR56	G4-100
21QS30H56	G4-98	23A10H14	G4-48	23A25R14	G4-48	23AS07R14	G4-100
21QS30L56	G4-98	23A10H18	G4-48	23A25R56	G4-48	23AS07R18	G4-100
21QS30R56	G4-98	23A10H56	G4-48	23A30H14	G4-48	23AS07R56	G4-100
21QS40H56	G4-98	23A10HA14	G4-48, G4-118	23A30H56	G4-48	23AS10H14	G4-100
21QS40L56	G4-98	23A10HA18	G4-48, G4-118	23A30HA14	G4-48, G4-118	23AS10H18	G4-100
21QS40R56	G4-98	23A10HA56	G4-48, G4-118	23A30HA56	G4-48,	23AS10H56	G4-100
21QS50H56	G4-98	23A10L14	G4-48	G4-11823A30L14	G4-48	23AS10HA14	G4-100
21QS50L56	G4-98	23A10L18	G4-48	23A30L56	G4-48	23AS10HA18	G4-100
21QS50R56	G4-98	23A10L56	G4-48	23A30LR14	G4-48	23AS10HA56	G4-100
21QS60H56	G4-98	23A10LR14	G4-48	23A30LR56	G4-48	23AS10L14	G4-100
21QS60L56	G4-98	23A10LR18	G4-48	23A30R14	G4-48	23AS10L18	G4-100
21QS60R56	G4-98	23A10LR56	G4-48	23A30R56	G4-48	23AS10L56	G4-100
21SBASE	G4-112	23A10R14	G4-48	23A40H14	G4-48	23AS10LR14	G4-100
2326BUSH100	G4-117	23A10R18	G4-48	23A40H56	G4-48	23AS10LR18	G4-100
2326BUSH103	G4-117	23A10R56	G4-48	23A40HA14	G4-48, G4-118	23AS10LR56	G4-100
2326BUSH104	G4-117	23A12H14	G4-48	23A40HA56	G4-48, G4-118	23AS10R14	G4-100
2326FLANGE	G4-116	23A12H18	G4-48	23A40L14	G4-48	23AS10R18	G4-100
2326SBUSH100	G4-117	23A12H56	G4-48	23A40L56	G4-48	23AS10R56	G4-100
2326SBUSH103	G4-117	23A12HA14	G4-48	23A40LR14	G4-48	23AS15H14	G4-100
2326SBUSH104	G4-117	23A12HA18	G4-48	23A40LR56	G4-48	23AS15H56	G4-100
2326SPACER	G4-112	23A12HA56	G4-48	23A40R14	G4-48	23AS15HA14	G4-100
2326ZFLANGE	G4-116	23A12L14	G4-48	23A40R56	G4-48	23AS15HA56	G4-100
2330MTR14	G4-46,	23A12L18	G4-48	23A50H56	G4-48	23AS15L14	G4-100
G4-52, G4-58, G4-111		23A12L56	G4-48	23A50HA56	G4-48, G4-118	23AS15L56	G4-100

PART NUMBER INDEX



Engineering

System-1

Part Number Index

Keyword Index

Part Number	Page	Part Number	Page	Part Number	Page	Part Number	Page
23AS15LR14	G4-100	23AZ05HA18	G4-89	23AZ20LR56	G4-89	23Q05L18	G4-44
23AS15LR56	G4-100	23AZ05HA56	G4-89	23AZ20R14	G4-89	23Q05L56	G4-44
23AS15R14	G4-100	23AZ05L14	G4-89	23AZ20R56	G4-89	23Q05LR14	G4-44
23AS15R56	G4-100	23AZ05L18	G4-89	23AZ25H14	G4-89	23Q05LR18	G4-44
23AS20H14	G4-100	23AZ05L56	G4-89	23AZ25H56	G4-89	23Q05LR56	G4-44
23AS20H56	G4-100	23AZ05LR14	G4-89	23AZ25HA14	G4-89	23Q05R14	G4-44
23AS20HA14	G4-100	23AZ05LR18	G4-89	23AZ25HA56	G4-89	23Q05R18	G4-44
23AS20HA56	G4-100	23AZ05LR56	G4-89	23AZ25L14	G4-89	23Q05R56	G4-44
23AS20L14	G4-100	23AZ05R14	G4-89	23AZ25L56	G4-89	23Q07H14	G4-44
23AS20L56	G4-100	23AZ05R18	G4-89	23AZ25LR14	G4-89	23Q07H18	G4-44
23AS20LR14	G4-100	23AZ05R56	G4-89	23AZ25LR56	G4-89	23Q07H56	G4-44
23AS20LR56	G4-100	23AZ07H14	G4-89	23AZ25R14	G4-89	23Q07HA14	G4-44, G4-118
23AS20R14	G4-100	23AZ07H18	G4-89	23AZ25R56	G4-89	23Q07HA18	G4-44, G4-118
23AS20R56	G4-100	23AZ07H56	G4-89	23AZ30H14	G4-89	23Q07HA56	G4-44, G4-118
23AS25H14	G4-100	23AZ07HA14	G4-89	23AZ30H56	G4-89	23Q07L14	G4-44
23AS25H56	G4-100	23AZ07HA18	G4-89	23AZ30H56	G4-89	23Q07L18	G4-44
23AS25HA14	G4-100	23AZ07HA56	G4-89	23AZ30HA14	G4-89	23Q07L56	G4-44
23AS25HA56	G4-100	23AZ07L14	G4-89	23AZ30HA56	G4-89	23Q07LR14	G4-44
23AS25L14	G4-100	23AZ07L18	G4-89	23AZ30L14	G4-89	23Q07LR18	G4-44
23AS25L56	G4-100	23AZ07L56	G4-89	23AZ30L56	G4-89	23Q07LR56	G4-44
23AS25LR14	G4-100	23AZ07LR14	G4-89	23AZ30LR14	G4-89	23Q07R14	G4-44
23AS25LR56	G4-100	23AZ07LR18	G4-89	23AZ30LR56	G4-89	23Q07R18	G4-44
23AS25R14	G4-100	23AZ07LR56	G4-89	23AZ30R14	G4-89	23Q07R56	G4-44
23AS25R56	G4-100	23AZ07R14	G4-89	23AZ30R56	G4-89	23Q10H14	G4-44
23AS30H14	G4-100	23AZ07R18	G4-89	23AZ40H14	G4-89	23Q10H18	G4-44
23AS30H56	G4-100	23AZ07R56	G4-89	23AZ40H56	G4-89	23Q10H56	G4-44
23AS30HA14	G4-100	23AZ10H14	G4-89	23AZ40HA14	G4-89	23Q10HA14	G4-44, G4-118
23AS30HA56	G4-100	23AZ10H18	G4-89	23AZ40HA56	G4-89	23Q10HA18	G4-44, G4-118
23AS30L14	G4-100	23AZ10H56	G4-89	23AZ40L14	G4-89	23Q10HA56	G4-44, G4-118
23AS30L56	G4-100	23AZ10HA14	G4-89	23AZ40L56	G4-89	23Q10L14	G4-44
23AS30LR14	G4-100	23AZ10HA18	G4-89	23AZ40LR14	G4-89	23Q10L18	G4-44
23AS30LR56	G4-100	23AZ10HA56	G4-89	23AZ40LR56	G4-89	23Q10L56	G4-44
23AS30R14	G4-100	23AZ10L14	G4-89	23AZ40R14	G4-89	23Q10LR14	G4-44
23AS30R56	G4-100	23AZ10L18	G4-89	23AZ40R56	G4-89	23Q10LR18	G4-44
23AS40H14	G4-100	23AZ10L56	G4-89	23AZ50H56	G4-89	23Q10LR56	G4-44
23AS40H56	G4-100	23AZ10LR14	G4-89	23AZ50HA56	G4-89	23Q10R14	G4-44
23AS40HA14	G4-100	23AZ10LR18	G4-89	23AZ50L56	G4-89	23Q10R18	G4-44
23AS40HA56	G4-100	23AZ10LR56	G4-89	23AZ50LR56	G4-89	23Q10R56	G4-44
23AS40L14	G4-100	23AZ10R14	G4-89	23AZ50R56	G4-89	23Q12H14	G4-44
23AS40L56	G4-100	23AZ10R18	G4-89	23AZ60H56	G4-89	23Q12H18	G4-44
23AS40LR14	G4-100	23AZ10R56	G4-89	23AZ60HA56	G4-89	23Q12H56	G4-44
23AS40LR56	G4-100	23AZ15H14	G4-89	23AZ60L56	G4-89	23Q12HA14	G4-44
23AS40R14	G4-100	23AZ15H18	G4-89	23AZ60LR56	G4-89	23Q12HA18	G4-44
23AS40R56	G4-100	23AZ15H56	G4-89	23AZ60R56	G4-89	23Q12HA56	G4-44
23AS50H14	G4-89	23AZ15HA14	G4-89	23BASE	G4-44, G4-48, G4-112	23Q12L14	G4-44
23AS50H56	G4-100	23AZ15HA56	G4-89	23BRACKET	G4-123	23Q12L18	G4-44
23AS50L56	G4-100	23AZ15L14	G4-89	23CLSDCOVER	G4-128	23Q12L56	G4-44
23AS50LR56	G4-100	23AZ15L56	G4-89	23DOWN26	G4-125	23Q12LR14	G4-44
23AS50R56	G4-100	23AZ15LR14	G4-89	23JMOUNT	G4-113	23Q12LR18	G4-44
23AS60H56	G4-100	23AZ15LR56	G4-89	23OPENCOVER	G4-128	23Q12LR56	G4-44
23AS60HA56	G4-100	23AZ15R14	G4-89	23PLUGIN	G4-124	23Q12R14	G4-44
23AS60L56	G4-100	23AZ15R56	G4-89	23Q05H14	G4-44	23Q12R18	G4-44
23AS60LR56	G4-100	23AZ20H14	G4-89	23Q05H18	G4-44	23Q12R56	G4-44
23AS60R56	G4-100	23AZ20H56	G4-89	23Q05H56	G4-44	23Q15H14	G4-44
23AZ05H14	G4-89	23AZ20HA14	G4-89	23Q05HA14	G4-44, G4-118	23Q15H56	G4-44, G4-118
23AZ05H18	G4-89	23AZ20HA56	G4-89	23Q05HA18	G4-44, G4-118	23Q15HA14	G4-44, G4-118
23AZ05H56	G4-89	23AZ20L14	G4-89	23Q05HA56	G4-44, G4-118	23Q15HA56	G4-44, G4-118
23AZ05HA14	G4-89	23AZ20L56	G4-89	23Q05L14	G4-44	23Q15L14	G4-44
		23AZ20LR14	G4-89				

PART NUMBER INDEX



Part Number	Page	Part Number	Page	Part Number	Page	Part Number	Page
23Q15L56	G4-44, G4-108	23Q60LR56	G4-44, G4-109	23QS20H56	G4-99	23QZ05LR14	G4-88
23Q15LR14	G4-44	23Q60R56	G4-44, G4-109	23QS20HA14	G4-99	23QZ05LR18	G4-88
23Q15LR56	G4-108	23QS05H14	G4-99	23QS20HA56	G4-99	23QZ05LR56	G4-88
23Q15R14	G4-44	23QS05H18	G4-99	23QS20L14	G4-99	23QZ05R14	G4-88
23Q15R56	GG4-44, G4-108	23QS05H56	G4-99	23QS20L56	G4-99	23QZ05R18	G4-88
23Q20H14	G4-44	23QS05HA14	G4-99	23QS20LR14	G4-99	23QZ05R56	G4-88
23Q20H56	G4-44, G4-108	23QS05HA18	G4-99	23QS20LR56	G4-99	23QZ07H14	G4-88
23Q20HA14	G4-44, G4-108	23QS05HA56	G4-99	23QS20R14	G4-99	23QZ07H18	G4-88
23Q20HA56	G4-44, G4-108	23QS05L14	G4-99	23QS20R56	G4-99	23QZ07H56	G4-88
23Q20L14	G4-44	23QS05L18	G4-99	23QS25H14	G4-99	23QZ07HA14	G4-88
23Q20L56	G4-44, G4-108	23QS05L56	G4-99	23QS25H56	G4-99	23QZ07HA18	G4-88
23Q20LR14	G4-44	23QS05LR14	G4-99	23QS25HA14	G4-99	23QZ07HA56	G4-88
23Q20LR56	G4-44, G4-108	23QS05LR18	G4-99	23QS25HA56	G4-99	23QZ07L14	G4-88
23Q20R14	G4-44	23QS05LR56	G4-99	23QS25L14	G4-99	23QZ07L18	G4-88
23Q20R56	G4-44, G4-108	23QS05R14	G4-99	23QS25L56	G4-99	23QZ07L56	G4-88
23Q25H14	G4-44	23QS05R18	G4-99	23QS25LR14	G4-99	23QZ07LR14	G4-88
23Q25H56	G4-44, G4-108	23QS05R56	G4-99	23QS25LR56	G4-99	23QZ07LR18	G4-88
23Q25HA14	G4-44, G4-118	23QS07H14	G4-99, G4-100	23QS25R14	G4-99	23QZ07LR56	G4-88
23Q25HA56	G4-44, G4-118	23QS07H18	G4-99	23QS25R56	G4-99	23QZ07R14	G4-88
23Q25L14	G4-44	23QS07H56	G4-99	23QS30H14	G4-99	23QZ07R18	G4-88
23Q25L56	G4-44, G4-108	23QS07HA14	G4-99	23QS30H56	G4-99	23QZ07R56	G4-88
23Q25LR14	G4-44	23QS07HA18	G4-99	23QS30HA14	G4-99	23QZ10H14	G4-88
23Q25LR56	G4-44, G4-108	23QS07HA56	G4-99	23QS30HA56	G4-99	23QZ10H18	G4-88
23Q25R14	G4-44	23QS07L14	G4-99	23QS30L14	G4-99	23QZ10H56	G4-88
23Q25R56	G4-44, G4-108	23QS07L18	G4-99	23QS30L56	G4-99	23QZ10HA14	G4-88
23Q30H14	G4-44	23QS07L56	G4-99	23QS30LR14	G4-99	23QZ10HA18	G4-88
23Q30H56	G4-44, G4-108	23QS07LR14	G4-99	23QS30LR56	G4-99	23QZ10HA56	G4-88
23Q30HA14	G4-44, G4-118	23QS07LR18	G4-99	23QS30R14	G4-99	23QZ10L14	G4-88
23Q30HA56	G4-44, G4-118	23QS07LR56	G4-99	23QS30R56	G4-99	23QZ10L18	G4-88
23Q30L14	G4-44	23QS07R14	G4-99	23QS40H14	G4-99	23QZ10L56	G4-88
23Q30L56	G4-44, G4-108	23QS07R18	G4-99	23QS40H56	G4-99	23QZ10LR14	G4-88
23Q30LR14	G4-44	23QS07R56	G4-99	23QS40HA14	G4-99	23QZ10LR18	G4-88
23Q30LR56	G4-44, G4-108	23QS10H14	G4-99	23QS40HA56	G4-99	23QZ10LR56	G4-88
23Q30R14	G4-44	23QS10H18	G4-99	23QS40L14	G4-99	23QZ10R14	G4-88
23Q30R56	G4-44, G4-108	23QS10H56	G4-99	23QS40L56	G4-99	23QZ10R18	G4-88
23Q40H14	G4-44	23QS10HA14	G4-99	23QS40LR14	G4-99	23QZ10R56	G4-88
23Q40H56	G4-44, G4-108, G4-109	23QS10HA18	G4-99	23QS40LR56	G4-99	23QZ15H14	G4-88
23Q40HA14	G4-44, G4-118	23QS10HA56	G4-99	23QS40R14	G4-99	23QZ15H56	G4-88
23Q40HA56	G4-44, G4-118	23QS10L14	G4-99	23QS40R56	G4-99	23QZ15HA14	G4-88
23Q40L14	G4-44	23QS10L18	G4-99	23QS50H56	G4-99	23QZ15HA56	G4-88
23Q40L56	G4-44, G4-108, G4-109	23QS10L56	G4-99	23QS50HA56	G4-99	23QZ15L14	G4-88
23Q40LR14	G4-44	23QS10LR14	G4-99	23QS50L56	G4-99	23QZ15L56	G4-88
23Q40LR56	G4-44, G4-108, G4-109	23QS10LR18	G4-99	23QS50LR56	G4-99	23QZ15LR14	G4-88
23Q40R14	G4-44	23QS10LR56	G4-99	23QS50R56	G4-99	23QZ15LR56	G4-88
23Q40R56	G4-44, G4-108, G4-109	23QS10R14	G4-99	23QS60H56	G4-99	23QZ15R14	G4-88
23Q50H56	G4-44	23QS10R18	G4-99	23QS60HA56	G4-99	23QZ15R56	G4-88
23Q50HA56	G4-44, G4-118	23QS10R56	G4-99	23QS60L56	G4-99	23QZ20H14	G4-88
23Q50L56	G4-44	23QS15H14	G4-99	23QS60LR56	G4-99	23QZ20H56	G4-88
23Q50LR56	G4-44	23QS15H56	G4-99	23QS60R56	G4-99	23QZ20HA14	G4-88
23Q50R56	G4-44	23QS15HA14	G4-99	23QZ05H14	G4-88	23QZ20HA56	G4-88
23Q60H56	G4-44, G4-109	23QS15HA56	G4-99	23QZ05H18	G4-88	23QZ20L14	G4-88
23Q60HA56	G4-44, G4-118	23QS15L14	G4-99	23QZ05H56	G4-88	23QZ20L56	G4-88
23Q60L56	G4-44, G4-109	23QS15L56	G4-99	23QZ05HA14	G4-88	23QZ20LR14	G4-88
		23QS15LR14	G4-99	23QZ05HA18	G4-88	23QZ20LR56	G4-88
		23QS15LR56	G4-99	23QZ05HA56	G4-88	23QZ20R14	G4-88
		23QS15R14	G4-99	23QZ05L14	G4-88	23QZ20R56	G4-88
		23QS15R56	G4-99	23QZ05L18	G4-88	23QZ25H14	G4-88
		23QS20H14	G4-99	23QZ05L56	G4-88	23QZ25H56	G4-88

PART NUMBER INDEX



Engineering

System-1

Part Number Index

Keyword Index

Part Number	Page	Part Number	Page	Part Number	Page	Part Number	Page
23QZ25HA14	G4-88	23S12R	G4-46	241085	G2-147	242094	G2-148
23QZ25HA56	G4-88	23S15H	G4-46	241087	G2-33	242095	G2-148
23QZ25L14	G4-88	23S15HA	G4-46, G4-118	241089	G2-149	242101	G2-31, G2-33, G2-79, G2-184
23QZ25L56	G4-88	23S15L	G4-46	241092	G2-31	242102	G2-128, G2-159
23QZ25LR14	G4-88	23S15LR	G4-46	241101	G2-184	242109	G2-128, G2-159
23QZ25LR56	G4-88	23S15R	G4-46	241102	G2-128, G2-159	242114	G2-99, G2-127
23QZ25R14	G4-88	23S20H	G4-46	241103	G1-120, G2-159	242146	G2-35, G2-37, G2-161
23QZ25R56	G4-88	23S20HA	G4-46, G4-118	241104	G1-120, G2-159	242148	G2-35, G2-37, G2-161
23QZ30H14	G4-88	23S20L	G4-46	241105	G2-159	242150	G2-35, G2-37, G2-161
23QZ30H56	G4-88	23S20LR	G4-46	241109	G2-128, G2-159	242152	G2-35, G2-37, G2-161
23QZ30HA14	G4-88	23S20R	G4-46	241142	G2-95, G2-127	242154	G2-35, G2-37, G2-161
23QZ30HA56	G4-88	23S25H	G4-46	241149	G2-93, G2-127	242156	G2-35, G2-37, G2-161
23QZ30L14	G4-88	23S25HA	G4-46, G4-118	241153	G2-161	242158	G2-35, G2-37, G2-161
23QZ30L56	G4-88	23S25L	G4-46	241154	G2-161	242162	G2-35, G2-37, G2-161
23QZ30LR14	G4-88	23S25LR	G4-46	241155	G2-161	242164	G2-35, G2-37, G2-161
23QZ30LR56	G4-88	23S25R	G4-46	241213	G2-161	242166	G2-35, G2-37, G2-161
23QZ30R14	G4-88	23S30H	G4-46	241278	G2-31, G2-33, G2-161	242168	G2-35, G2-37, G2-161
23QZ30R56	G4-88	23S30HA	G4-46, G4-118	241280	G2-161	242223	G2-97, G2-127
23QZ40H14	G4-88	23S30L	G4-46	241282	G2-31, G2-33, G2-161	242249	G2-37
23QZ40H56	G4-88	23S30LR	G4-46	241286	G2-31, G2-33, G2-161	242251	G2-147
23QZ40HA14	G4-88	23S30R	G4-46	241288	G2-31, G2-33, G2-161	242253	G2-37
23QZ40HA56	G4-88	23S40H	G4-46	241290	G2-31, G2-33, G2-161	242255	G2-149
23QZ40L14	G4-88	23S40HA	G4-46, G4-118	241292	G2-31, G2-33, G2-161	242257	G2-161
23QZ40L56	G4-88	23S40L	G4-46	241294	G2-31, G2-33, G2-161	242258	G2-161
23QZ40LR14	G4-88	23S40LR	G4-46	241327	G2-31	242259	G2-161
23QZ40LR56	G4-88	23S40R	G4-46	241342	G2-31, G2-33	242280	G2-161
23QZ40R14	G4-88	23S50H	G4-46	241344	G2-31, G2-33	242327	G2-35
23QZ40R56	G4-88	23S50HA	G4-46, G4-118	241345	G2-31, G2-33	242343	G2-35, G2-37
23QZ50H56	G4-88	23S50L	G4-46	241346	G2-31, G2-33	242344	G2-35, G2-37
23QZ50HA56	G4-88	23S50LR	G4-46	241347	G2-31, G2-33	242345	G2-35, G2-37
23QZ50L56	G4-88	23S50R	G4-46	241391	G2-31, G2-33, G2-35, G2-37, G2-73	242346	G2-35, G2-37
23QZ50LR56	G4-88	23S60H	G4-46	241395	G2-31, G2-77	242347	G2-35, G2-37
23QZ50R56	G4-88	23S60HA	G4-46, G4-118	241397	G2-33, G2-77	242348	G2-35, G2-37
23QZ60H56	G4-88	23S60L	G4-46	241415	G2-174	242349	G2-35, G2-37
23QZ60HA56	G4-88	23S60LR	G4-46	241416	G2-174	242350	G2-35, G2-37
23QZ60L56	G4-88	23S60R	G4-46	241417	G2-174	242351	G2-35, G2-37
23QZ60LR56	G4-88	23SBASE	G4-112	241418	G2-174	242395	G2-35, G2-77
23QZ60R56	G4-88	23SFLANGE	G4-116	241419	G2-174	242397	G2-37, G2-77
23RISER	G4-114	23SHAFTREV	G4-127	241420	G2-174	242415	G2-174
23S05H	G4-46	23STBUSH100	G4-117	241421	G2-31, G2-33, G2-76	242416	G2-174
23S05HA	G4-46, G4-118	23STBUSH103	G4-117	241480	G2-92	242417	G2-174
23S05L	G4-46	23TBUSH100	G4-117	241489	G2-93, G2-126	242418	G2-174
23S05LR	G4-46	23TBUSH103	G4-117	241491	G2-95, G2-126	242419	G2-174
23S05R	G4-46	23ZBASE	G4-112	242079	G2-35	242420	G2-174
23S07H	G4-46	23ZBRACKET	G4-123	242082	G2-35	242421	G2-35, G2-37, G2-76
23S07HA	G4-46, G4-118	23ZJMOUNT	G4-113	242083	G2-35		
23S07L	G4-46	23ZRISER	G4-114	242086	G2-146		
23S07LR	G4-46	240050	G1-120, G2-159	242087	G2-146		
23S07R	G4-46	240051	G1-120, G2-159	242090	G2-35		
23S10H	G4-46	241065	G2-31	242091	G2-35		
23S10HA	G4-46, G4-118	241066	G2-31				
23S10L	G4-46	241069	G2-146				
23S10LR	G4-46	241070	G2-146				
23S10R	G4-46	241073	G2-31				
23S12H	G4-46	241074	G2-31				
23S12HA	G4-46	241077	G2-148				
23S12L	G4-46	241078	G2-148				
23S12LR	G4-46	241083	G2-33				

PART NUMBER INDEX



Part Number	Page	Part Number	Page	Part Number	Page	Part Number	Page
242480	G2-96	243423	G2-39, G2-41	244095	G2-43, G2-45, G2-161	244532	G2-146
242489	G2-97, G2-126	243424	G2-39, G2-41	244101	G2-184	244533	G2-146
242491	G2-99, G2-126	243425	G2-39, G2-41	244106	G2-43, G2-79, G2-184	244537	G2-43
243016	G2-124	243426	G2-39, G2-41	244109	G2-43, G2-45, G2-161	244538	G2-43
243017	G2-124	243427	G2-39, G2-41	244111	G2-43, G2-45, G2-161	244539	G2-43
243018	G2-124	243428	G2-39, G2-41	244113	G2-43, G2-45, G2-161	244544	G2-148
243019	G2-124	243429	G2-39, G2-41	244115	G2-43, G2-45, G2-161	244545	G2-148
243101	G2-184	243446	G2-124	244117	G2-128, G2-159	244549	G2-104
243102	G2-184	243447	G2-124	244148	G2-45, G2-79, G2-184	244550	G2-104
243106	G2-39, G2-79, G2-184	243448	G2-124	244151	G2-43, G2-78	244551	G2-104
243108	G2-128, G2-159	243449	G2-124	244152	G2-105, G2-127	244553	G2-150
243109	G2-128, G2-159	243500	G2-39	244159	G2-128, G2-159	244554	G2-150
243153	G2-39, G2-78	243501	G2-39	244164	G2-45, G2-78	244556	G2-154
243154	G2-101, G2-127	243502	G2-39	244167	G2-107, G2-127	244557	G2-154
243164	G2-41, G2-78	243507	G2-146	244251	G2-161	244594	G2-104, G2-106, G2-150, G2-152
243167	G2-103, G2-127	243508	G2-146	244252	G2-161	244595	G2-104, G2-106, G2-150, G2-152
243251	G2-161	243512	G2-39	244253	G2-161	244596	G2-104, G2-106, G2-150, G2-152
243252	G2-161	243513	G2-39	244254	G2-161	244597	G2-104, G2-106, G2-150, G2-152
243253	G2-161	243514	G2-39	244381	G2-174	244598	G2-104, G2-106, G2-150, G2-152
243254	G2-161	243519	G2-148	244382	G2-174	244676	G2-43, G2-80, G2-159
243260	G2-39, G2-41, G2-161	243520	G2-148	244383	G2-174	244677	G2-105, G2-128, G2-159
243262	G2-39, G2-41, G2-161	243524	G2-100	244384	G2-174	244680	G2-124
243264	G2-39, G2-41, G2-161	243525	G2-100	244385	G2-174	244681	G2-124
243266	G2-39, G2-41, G2-161	243526	G2-100	244386	G2-174	244682	G2-124
243268	G2-39, G2-41, G2-161	243528	G2-150	244391	G2-43, G2-45, G2-73	244683	G2-124
243270	G2-39, G2-41, G2-161	243529	G2-150	244392	G2-43, G2-45, G2-75	244684	G2-124
243272	G2-39, G2-41, G2-161	243562	G2-100, G2-102, G2-150, G2-152	244395	G2-43, G2-77	245015	G2-111, G2-127
243274	G2-39, G2-41, G2-161	243563	GG2-100, G2-102, G2-150, G2-152	244397	G2-45, G2-77	245086	G2-47, G2-49, G2-161
243276	G2-39, G2-41, G2-161	243564	G2-100, G2-102, G2-150, G2-152	244404	G2-43, G2-45, G2-76	245088	G2-47, G2-49, G2-161
243282	G2-39, G2-41, G2-161	243565	G2-100, G2-102, G2-150, G2-152	244420	G2-43, G2-45	245090	G2-47, G2-49, G2-161
243284	G2-39, G2-41, G2-161	243571	G2-154	244421	G2-43, G2-45	245092	G2-47, G2-49, G2-161
243387	G2-39, G2-77	243577	G2-39, G2-80, G2-159	244423	G2-43, G2-45	245094	G2-47, G2-49, G2-161
243389	G2-41, G2-77	243581	G2-39, G2-81, G2-101	244424	G2-43, G2-45	245099	G2-47, G2-49
243391	G2-39, G2-41, G2-73	243582	G2-101, G2-128, G2-159	244426	G2-43, G2-45	245101	G2-184
243392	G2-39, G2-41, G2-75	243620	G2-174	244427	G2-43, G2-45	245102	G2-47, G2-78
243393	G2-39, G2-41, G2-73	243621	G2-174	244428	G2-43, G2-45	245103	G2-109, G2-127
243404	G2-39, G2-41, G2-76	243622	G2-174	244429	G2-43, G2-45	245104	G2-128, G2-159
243416	G2-101, G2-126	243623	G2-174	244430	G2-43, G2-45	245106	G2-128, G2-159
243418	G2-103, G2-126	243624	G2-174	244489	G2-105, G2-126	245110	G2-47, G2-49, G2-161
243420	G2-39, G2-41	243625	G2-174	244491	G2-107, G2-126	245112	G2-47, G2-49, G2-161
243421	G2-39, G2-41	244079	G2-43, G2-45, G2-161	244494	G2-124	245154	G2-47, G2-79, G2-184
243422	G2-39, G2-41	244081	G2-43, G2-45, G2-161	244496	G2-124	245162	G2-49, G2-78
		244085	G2-43, G2-45, G2-161	244497	G2-124	245251	G2-161
		244087	G2-43, G2-45, G2-161	244498	G2-124		
		244092	G2-184	244499	G2-124		
		244093	G2-43, G2-45, G2-161	244525	G2-43		
				244526	G2-43		
				244527	G2-43		

PART NUMBER INDEX



Part Number	Page	Part Number	Page	Part Number	Page	Part Number	Page
245252.....	G2-161	246092.....	G2-51, G2-53, G2-79, G2-184	246543.....	G2-159	247395... ..	G2-55, G2-57, G2-73
245253.....	G2-161			246601.....	G2-159	247396... ..	G2-55, G2-57, G2-75
245254.....	G2-161	246101.....	G2-49, G2-79, G2-185	246602.....	G2-159	247404... ..	G2-55, G2-57, G2-76
245341.....	G2-174			246603.....	G2-159	247420.....	G2-55, G2-57
245342.....	G2-174	246102.....	G2-128, G2-159	246604.....	G2-159	247422.....	G2-55, G2-57
245343.....	G2-174	246132.....	G2-53, G2-78	246605.....	G2-159	247425.....	G2-55, G2-57
245344.....	G2-174	246142.....	G2-115, G2-127	246606.....	G2-159	247426.....	G2-55, G2-57
245345.....	G2-174	246147.....	G2-51, G2-78	246607.....	G2-159	247427.....	G2-55, G2-57
245346.....	G2-174	246148.....	G2-113, G2-127	246608.....	G2-159	247428.....	G2-55, G2-57
245387.....	G2-47, G2-77	246149.....	G2-51	246609.....	G2-159	247431.....	G2-174
245389.....	G2-49, G2-77	246150.....	G2-51	246610.....	G2-159	247432.....	G2-174
245391.....	G2-47, G2-49, G2-73	246151.....	G2-51	246611.....	G2-159	247433.....	G2-174
		246154.....	G2-146	246612.....	G2-159	247434.....	G2-174
245392.....	G2-47, G2-49, G2-75	246155.....	G2-146	246613.....	G2-159	247435.....	G2-174
		246158.....	G2-51	246614.....	G2-159	247436.....	G2-174
245393.....	G2-47, G2-49, G2-73	246159.....	G2-51	246615.....	G2-159	247444.....	G2-159
		246162.....	G2-148	246616.....	G2-159	247474.....	G2-117, G2-126
245405.....	G2-47, G2-49, G2-76	246163.....	G2-148	246617.....	G2-159	247476.....	G2-119, G2-126
		246261.....	G2-51, G2-53	246618.....	G2-159	247480.....	G2-116
245422.....	G2-47, G2-49	246262.....	G2-51, G2-53	246619.....	G2-159	247520.....	G2-154
245423.....	G2-47, G2-49	246263.....	G2-51, G2-53	246620.....	G2-159	248101.....	G2-185
245424.....	G2-47, G2-49	246264.....	G2-51, G2-53	246621.....	G2-159	248102.....	G2-128, G2-159
245425.....	G2-47, G2-49	246265.....	G2-51, G2-53	246622.....	G2-159	248275.....	G2-61
245426.....	G2-47, G2-49	246266.....	G2-51, G2-53	246623.....	G2-159	248277.....	G2-61
245427.....	G2-47, G2-49	246267.....	G2-51, G2-53	246624.....	G2-159	248279.....	G2-59
245428.....	G2-47, G2-49	246268.....	G2-51, G2-53	246625.....	G2-159	248280.....	G2-59
245444.....	G2-159	246283.....	G2-51, G2-53	246627.....	G2-159	248283.....	G2-59
245474.....	G2-124	246327.....	G2-51	246628.....	G2-159	248284.....	G2-59
245476.....	G2-124	246366.....	G2-51, G2-77	246629.....	G2-159	248395.....	G2-59, G2-77
245477.....	G2-124	246368.....	G2-53, G2-77	246630.....	G2-159	248397.....	G2-61, G2-77
245478.....	G2-124	246380.....	G2-53	246631.....	G2-159	248401... ..	G2-59, G2-61, G2-74
245495.....	G2-109, G2-126	246382.....	G2-53	246632.....	G2-159	248406... ..	G2-59, G2-61, G2-76
245497.....	G2-111, G2-126	246388.....	G2-51	246633.....	G2-159	248414.....	G2-174
245543.....	G2-159	246390.....	G2-51, G2-53, G2-75	246634.....	G2-159	248415.....	G2-174
245550.....	G2-47			246635.....	G2-159	248416.....	G2-174
245551.....	G2-47	246391.....	G2-51, G2-53, G2-73	247092.....	G2-185	248417.....	G2-174
245552.....	G2-47			247101.....	G2-185	248418.....	G2-174
245557.....	G2-146	246392.....	G2-51, G2-53, G2-76	247102.....	G2-128, G2-159	248419.....	G2-174
245558.....	G2-146			247146.....	G2-57, G2-78	248420.....	G2-59, G2-61
245562.....	G2-47	246420.....	G2-51, G2-53	247149.....	G2-119, G2-127	248422.....	G2-59, G2-61
245563.....	G2-47	246421.....	G2-51, G2-53	247152.....	G2-55, G2-78	248423.....	G2-59, G2-61
245564.....	G2-47	246422.....	G2-51, G2-53	247153.....	G2-117, G2-127	248424.....	G2-59, G2-61
245569.....	G2-148	246423.....	G2-51, G2-53	247159.....	G2-55	248443.....	G2-159
245570.....	G2-148	246424.....	G2-51, G2-53	247160.....	G2-55	248444.....	G2-159
245574.....	G2-108	246425.....	G2-51, G2-53	247161.....	G2-55	248464.....	G2-120
245575.....	G2-108	246426.....	G2-51, G2-53	247164.....	G2-146	248465.....	G2-120
245576.....	G2-108	246427.....	G2-51, G2-53	247165.....	G2-146	248469.....	G2-121
245578.....	G2-150	246428.....	G2-174	247168.....	G2-55	248470.....	G2-120
245579.....	G2-150	246429.....	G2-174	247169.....	G2-55	248473... ..	G2-120
245635.....	G2-47, G2-80, G2-159	246430.....	G2-174	247172.....	G2-148	248474.....	G2-120
		246431.....	G2-174	247173.....	G2-148	248477.....	G2-121, G2-127
245637.....	G2-109, G2-128, G2-159	246432.....	G2-174	247260.....	G2-55, G2-57, G2-79, G2-185	248484.....	G2-121, G2-128
		246433.....	G2-174			249102.....	G2-159
245640.....	G2-154	246444.....	G2-159	247285.....	G2-57	249260.....	G2-59, G2-63, G2-79, G2-185
245651.....	G2-124	246476.....	G2-113, G2-126	247287.....	G2-57		
245652.....	G2-124	246478.....	G2-115, G2-126	247327.....	G2-55	249265.....	G2-65
245653.....	G2-124	246480.....	G2-112	247390.....	G2-55, G2-77	249267.....	G2-65
245654.....	G2-124	246520.....	G2-154	247392.....	G2-57, G2-77	249269.....	G2-63

PART NUMBER INDEX



Part Number	Page	Part Number	Page	Part Number	Page	Part Number	Page
249270	G2-63	254199	G2-161	26A07R14	G4-54	26A18LR18	G4-54
249273	G2-63	254200	G2-45	26A07R18	G4-54	26A18LR56	G4-54
249274	G2-63	254202	G2-147	26A07R56	G4-54	26A18R14	G4-54
249395	G2-63, G2-77	254204	G2-45	26A10H14	G4-54	26A18R18	G4-54
249397	G2-65, G2-77	254206	G2-149	26A10H18	G4-54	26A18R56	G4-54
249399	G2-63, G2-65, G2-74	254208	G2-106	26A10H56	G4-54	26A20H14	G4-54
249401	G2-63, G2-65, G2-74	254209	G2-152	26A10HA14	G4-54, G4-118	26A20H56	G4-54
249404	G2-63, G2-65, G2-76	254267	G2-45, G2-80, G2-159	26A10HA18	G4-54, G4-118	26A20HA14	G4-54, G4-118
249414	G2-174			26A10HA56	G4-54, G4-118	26A20HA56	G4-54, G4-118
249415	G2-174	254268	G2-45, G2-81, G2-107	26A10L14	G4-54	26A20L14	G4-54
249416	G2-174			26A10L18	G4-54	26A20L56	G4-54
249417	G2-174	255101	G2-185	26A10L56	G4-54	26A20LR14	G4-54
249418	G2-174	255148	G2-111, G2-128, G2-159	26A10LR14	G4-54	26A20LR56	G4-54
249419	G2-174			26A10LR18	G4-54	26A20R14	G4-54
249420	G2-63, G2-65	255160	G2-154	26A10LR56	G4-54	26A20R56	G4-54
249421	G2-63, G2-65	255199	G2-161	26A10R14	G4-54	26A25H14	G4-54
249422	G2-63, G2-65	255200	G2-49	26A10R18	G4-54	26A25H56	G4-54
249444	G2-159	255202	G2-147	26A10R56	G4-54	26A25HA14	G4-54, G4-118
250101	G2-185	255204	G2-49	26A12H14	G4-54	26A25HA56	G4-54, G4-118
250102	G2-159	255206	G2-149	26A12H18	G4-54	26A25L14	G4-54
250260	G2-61, G2-67, G2-68, G2-79, G2-185	255208	G2-110	26A12H56	G4-54	26A25L56	G4-54
250395	G2-67, G2-77	255209	G2-152	26A12HA14	G4-54	26A25LR14	G4-54
250401	G2-67, G2-74	255230	G2-49, G2-80, G2-159	26A12HA18	G4-54	26A25LR56	G4-54
250404	G2-67, G2-74			26A12HA56	G4-54	26A25R14	G4-54
250411	G2-67, G2-76	255231	G2-49, G2-81, G2-111	26A12L14	G4-54	26A25R56	G4-54
250416	G2-174			26A12L18	G4-54	26A30H14	G4-54
250417	G2-174	256101	G2-185	26A12L56	G4-54	26A30H56	G4-54
250418	G2-174	256HA414	G4-108, G4-109, G4-110	26A12LR14	G4-54	26A30HA14	G4-54, G4-118
250419	G2-174			26A12LR18	G4-54	26A30HA56	G4-54, G4-118
250420	G2-67	256HA514	G4-108, G4-109, G4-110	26A12LR56	G4-54	26A30L14	G4-54
250421	G2-67			26A12R14	G4-54	26A30L56	G4-54
250422	G2-67	257101	G2-185	26A12R18	G4-54	26A30LR14	G4-54
250444	G2-159	259023	G2-162	26A12R56	G4-54	26A30LR56	G4-54
251120	G2-161	259024	G2-162	26A15H14	G4-54	26A30R14	G4-54
251140	G2-154	259164	G2-162	26A15H18	G4-54	26A30R56	G4-54
251146	G2-95, G2-128	259166	G2-162	26A15H56	G4-54	26A40H14	G4-54
252101	G2-35, G2-37, G2-41, G2-79, G2-185	26A05H14	G4-54	26A15HA14	G4-54, G4-118	26A40H56	G4-54
252120	G2-161	26A05H18	G4-54	26A15HA18	G4-54, G4-118	26A40HA14	G4-54, G4-118
252140	G2-154	26A05HA14	G4-54, G4-118	26A15HA56	G4-54, G4-118	26A40HA56	G4-54, G4-118
252146	G2-99, G2-128	26A05HA18	G4-54, G4-118	26A15L14	G4-54	26A40L14	G4-54
253140	G2-154	26A05L14	G4-54	26A15L18	G4-54	26A40L56	G4-54
253146	G2-103, G2-128	26A05L18	G4-54	26A15L56	G4-54	26A40LR14	G4-54
253151	G2-41	26A05LR14	G4-54	26A15LR14	G4-54	26A40LR56	G4-54
253153	G2-147	26A05LR18	G4-54	26A15LR18	G4-54	26A40R14	G4-54
253155	G2-41	26A05R14	G4-54	26A15LR56	G4-54	26A40R56	G4-54
253157	G2-149	26A05R18	G4-54	26A15R14	G4-54	26A50H14	G4-54
253159	G2-102	26A07H14	G4-54	26A15R18	G4-54	26A50H56	G4-54
253160	G2-152	26A07H18	G4-54	26A15R56	G4-54	26A50HA14	G4-54, G4-118
253186	G2-41, G2-80, G2-159	26A07H56	G4-54	26A18H14	G4-54	26A50HA56	G4-54, G4-118
253188	G2-41, G2-81, G2-103	26A07HA14	G4-54, G4-118	26A18H18	G4-54	26A50L14	G4-54
253199	G2-161	26A07HA18	G4-54, G4-118	26A18H56	G4-54	26A50L56	G4-54
254101	G2-185	26A07HA56	G4-54, G4-118	26A18HA14	G4-54	26A50LR14	G4-54
254140	G2-154	26A07L14	G4-54	26A18HA18	G4-54	26A50LR56	G4-54
254146	G2-107, G2-128	26A07L18	G4-54	26A18HA56	G4-54	26A50R14	G4-54
		26A07L56	G4-54	26A18L14	G4-54	26A50R56	G4-54
		26A07LR14	G4-54	26A18L18	G4-54	26A60H14	G4-54
		26A07LR18	G4-54	26A18L56	G4-54	26A60H56	G4-54
		26A07LR56	G4-54	26A18LR14	G4-54	26A60HA14	G4-54, G4-118

PART NUMBER INDEX



Part Number	Page	Part Number	Page	Part Number	Page	Part Number	Page
26A60HA56	G4-54, G4-118	26AZ15LR56	G4-91	26AZ60L14	G4-91	26Q12HA18	G4-50
26A60L14	G4-54	26AZ15R14	G4-91	26AZ60L56	G4-91	26Q12HA56	G4-50
26A60L56	G4-54	26AZ15R18	G4-91	26AZ60LR14	G4-91	26Q12L14	G4-50
26A60LR14	G4-54	26AZ15R56	G4-91	26AZ60LR56	G4-91	26Q12L18	G4-50
26A60LR56	G4-54	26AZ20H14	G4-91	26AZ60R14	G4-91	26Q12L56	G4-50
26A60R14	G4-54	26AZ20H56	G4-91	26AZ60R56	G4-91	26Q12LR14	G4-50
26A60R56	G4-54	26AZ20HA14	G4-91	26BASE	G4-50, G4-54, G4-112	26Q12LR18	G4-50
26AZ05H14	G4-91	26AZ20HA56	G4-91	26BRACKET	G4-123	26Q12LR56	G4-50
26AZ05H18	G4-91	26AZ20L14	G4-91	26CLSDCOVER	G4-128	26Q12R14	G4-50
26AZ05HA14	G4-91	26AZ20L56	G4-91	26DOWN30	G4-125	26Q12R18	G4-50
26AZ05HA18	G4-91	26AZ20LR14	G4-91	26JMOUNT	G4-113	26Q12R56	G4-50
26AZ05L14	G4-91	26AZ20LR56	G4-91	26OPENVOCER	G4-128	26Q15H14	G4-50, G4-108
26AZ05L18	G4-91	26AZ20R14	G4-91	26PLUGIN	G4-124	26Q15H18	G4-50
26AZ05LR14	G4-91	26AZ20R56	G4-91	26Q05H14	G4-50	26Q15H56	G4-50
26AZ05LR18	G4-91	26AZ25H14	G4-91	26Q05H18	G4-50	26Q15HA14	G4-50, G4-118
26AZ05R14	G4-91	26AZ25H56	G4-91	26Q05HA14	G4-50, G4-118	26Q15HA18	G4-50, G4-118
26AZ05R18	G4-91	26AZ25HA14	G4-91	26Q05HA18	G4-50, G4-118	26Q15HA56	G4-50, G4-118
26AZ07H14	G4-91	26AZ25HA56	G4-91	26Q05L14	G4-50	26Q15L14	G4-50, G4-108
26AZ07H18	G4-91	26AZ25L14	G4-91	26Q05L18	G4-50	26Q15L18	G4-50
26AZ07H56	G4-91	26AZ25L56	G4-91	26Q05LR14	G4-50	26Q15L56	G4-50
26AZ07HA14	G4-91	26AZ25LR14	G4-91	26Q05LR18	G4-50	26Q15LR14	G4-50, G4-108
26AZ07HA18	G4-91	26AZ25LR56	G4-91	26Q05R14	G4-50	26Q15LR18	G4-50
26AZ07HA56	G4-91	26AZ25R14	G4-91	26Q05R18	G4-50	26Q15LR56	G4-50
26AZ07L14	G4-91	26AZ25R56	G4-91	26Q07H14	G4-50	26Q15R14	G4-50, G4-108
26AZ07L18	G4-91	26AZ30H14	G4-91	26Q07H18	G4-50	26Q15R18	G4-50
26AZ07L56	G4-91	26AZ30H56	G4-91	26Q07HA14	G4-50, G4-118	26Q15R56	G4-50
26AZ07LR14	G4-91	26AZ30HA14	G4-91	26Q07HA18	G4-50, G4-118	26Q18H14	G4-50
26AZ07LR18	G4-91	26AZ30HA56	G4-91	26Q07HA56	G4-50, G4-118	26Q18H18	G4-50
26AZ07LR56	G4-91	26AZ30L14	G4-91	26Q07L14	G4-50	26Q18H56	G4-50
26AZ07R14	G4-91	26AZ30L56	G4-91	26Q07L18	G4-50	26Q18HA14	G4-50
26AZ07R18	G4-91	26AZ30LR14	G4-91	26Q07L56	G4-50	26Q18HA18	G4-50
26AZ07R56	G4-91	26AZ30LR56	G4-91	26Q07LR14	G4-50	26Q18HA56	G4-50
26AZ10H14	G4-91	26AZ30R14	G4-91	26Q07L56	G4-50	26Q18L14	G4-50
26AZ10H18	G4-91	26AZ30R56	G4-91	26Q07LR14	G4-50	26Q18L18	G4-50
26AZ10H56	G4-91	26AZ40H14	G4-91	26Q07LR18	G4-50	26Q18L56	G4-50
26AZ10HA14	G4-91	26AZ40H56	G4-91	26Q07LR56	G4-50	26Q18LR14	G4-50
26AZ10HA18	G4-91	26AZ40HA14	G4-91	26Q07R14	G4-50	26Q18LR18	G4-50
26AZ10HA56	G4-91	26AZ40HA56	G4-91	26Q07R18	G4-50	26Q18LR56	G4-50
26AZ10L14	G4-91	26AZ40L14	G4-91	26Q07R56	G4-50	26Q18R14	G4-50
26AZ10L18	G4-91	26AZ40L56	G4-91	26Q10H14	G4-50	26Q18R18	G4-50
26AZ10L56	G4-91	26AZ40LR14	G4-91	26Q10H18	G4-50	26Q18R56	G4-50
26AZ10LR14	G4-91	26AZ40LR56	G4-91	26Q10H56	G4-50	26Q20H14	G4-50, G4-108
26AZ10LR18	G4-91	26AZ40R14	G4-91	26Q10HA14	G4-50, G4-118	26Q20H56	G4-50
26AZ10LR56	G4-91	26AZ40R56	G4-91	26Q10HA18	G4-50, G4-118	26Q20HA14	G4-50, G4-118
26AZ10R14	G4-91	26AZ50H14	G4-91	26Q10HA56	G4-50, G4-118	26Q20HA56	G4-50, G4-118
26AZ10R18	G4-91	26AZ50H56	G4-91	26Q10L14	G4-50	26Q20L14	G4-50, G4-108
26AZ10R56	G4-91	26AZ50HA14	G4-91	26Q10L18	G4-50	26Q20L56	G4-50
26AZ15H14	G4-91	26AZ50HA56	G4-91	26Q10L56	G4-50	26Q20LR14	G4-50, G4-108
26AZ15H18	G4-91	26AZ50L14	G4-91	26Q10LR14	G4-50	26Q20LR56	G4-50
26AZ15H56	G4-91	26AZ50L56	G4-91	26Q10LR18	G4-50	26Q20R14	G4-50, G4-108
26AZ15HA14	G4-91	26AZ50LR14	G4-91	26Q10LR56	G4-50	26Q20R56	G4-50
26AZ15HA18	G4-91	26AZ50LR56	G4-91	26Q10R14	G4-50	26Q25H14	G4-50
26AZ15HA56	G4-91	26AZ50R14	G4-91	26Q10R18	G4-50	26Q25H56	G4-50, G4-108
26AZ15L14	G4-91	26AZ50R56	G4-91	26Q10R56	G4-50	26Q25HA14	G4-50, G4-118
26AZ15L18	G4-91	26AZ60H14	G4-91	26Q12H14	G4-50	26Q25HA56	G4-50, G4-118
26AZ15L56	G4-91	26AZ60H56	G4-91	26Q12H18	G4-50	26Q25L14	G4-50
26AZ15LR14	G4-91	26AZ60HA14	G4-91	26Q12H56	G4-50	26Q25L56	G4-50, G4-118
26AZ15LR18	G4-91	26AZ60HA56	G4-91	26Q12HA14	G4-50	26Q25LR14	G4-50

PART NUMBER INDEX



Part Number	Page	Part Number	Page	Part Number	Page	Part Number	Page
26Q25LR56	G4-50, G4-108	26QS07L14	G4-101	26QS60R14	G4-101	26QZ20H56	G4-90
26Q25R14	G4-50	26QS07L18	G4-101	26QS60R56	G4-101	26QZ20HA14	G4-90
26Q25R56	G4-50, G4-108	26QS07L56	G4-101	26QZ05H14	G4-90	26QZ20HA56	G4-90
26Q30H14	G4-50	26QS07R14	G4-101	26QZ05H18	G4-90	26QZ20L14	G4-90
26Q30H56	G4-50, G4-108	26QS07R18	G4-101	26QZ05HA14	G4-90	26QZ20L56	G4-90
26Q30HA14	G4-50, G4-118	26QS07R56	G4-101	26QZ05HA18	G4-90	26QZ20LR14	G4-90
26Q30HA56	G4-50, G4-118	26QS10H14	G4-101	26QZ05L14	G4-90	26QZ20LR56	G4-90
26Q30L14	G4-50	26QS10H18	G4-101	26QZ05L18	G4-90	26QZ20R14	G4-90
26Q30L56	G4-50, G4-108	26QS10H56	G4-101	26QZ05LR14	G4-90	26QZ20R56	G4-90
26Q30LR14	G4-50	26QS10L14	G4-101	26QZ05LR18	G4-90	26QZ25H14	G4-90
26Q30LR56	G4-50, G4-108	26QS10L18	G4-101	26QZ05R14	G4-90	26QZ25H56	G4-90
26Q30R14	G4-50	26QS10L56	G4-101	26QZ05R18	G4-90	26QZ25HA14	G4-90
26Q30R56	G4-50, G4-108	26QS10R14	G4-101	26QZ07H14	G4-90	26QZ25HA56	G4-90
26Q40H14	G4-50	26QS10R18	G4-101	26QZ07H18	G4-90	26QZ25L14	G4-90
26Q40H56	G4-50, G4-108, G4-109	26QS10R56	G4-101	26QZ07H56	G4-90	26QZ25L56	G4-90
26Q40HA14	G4-50, G4-118	26QS15H14	G4-101	26QZ07HA14	G4-90	26QZ25LR14	G4-90
26Q40HA56	G4-50, G4-118	26QS15H18	G4-101	26QZ07HA18	G4-90	26QZ25LR56	G4-90
26Q40L14	G4-50	26QS15H56	G4-101	26QZ07HA56	G4-90	26QZ25R14	G4-90
26Q40L56	G4-50, G4-108, G4-109	26QS15L14	G4-101	26QZ07L14	G4-90	26QZ25R56	G4-90
26Q40LR14	G4-50	26QS15L18	G4-101	26QZ07L18	G4-90	26QZ30H14	G4-90
26Q40LR56	G4-50, G4-108, G4-109	26QS15L56	G4-101	26QZ07L56	G4-90	26QZ30H56	G4-90
26Q40R14	G4-50	26QS15R14	G4-101	26QZ07LR14	G4-90	26QZ30HA14	G4-90
26Q40R56	G4-50, G4-108, G4-109	26QS15R18	G4-101	26QZ07LR18	G4-90	26QZ30HA56	G4-90
26Q50H14	G4-50	26QS15R56	G4-101	26QZ07LR56	G4-90	26QZ30L14	G4-90
26Q50H56	G4-50, G4-109	26QS20H14	G4-101	26QZ07R14	G4-90	26QZ30L56	G4-90
26Q50HA14	G4-50, G4-118	26QS20H56	G4-101	26QZ07R18	G4-90	26QZ30LR14	G4-90
26Q50HA56	G4-50, G4-118	26QS20L14	G4-101	26QZ07R56	G4-90	26QZ30LR56	G4-90
26Q50L14	G4-50	26QS20L56	G4-101	26QZ10H14	G4-90	26QZ30R14	G4-90
26Q50L56	G4-50, G4-109	26QS20R14	G4-101	26QZ10H18	G4-90	26QZ30R56	G4-90
26Q50LR14	G4-50	26QS20R56	G4-101	26QZ10H56	G4-90	26QZ40H14	G4-90
26Q50LR56	G4-50, G4-109	26QS25H14	G4-101	26QZ10HA14	G4-90	26QZ40H56	G4-90
26Q50R14	G4-50	26QS25H56	G4-101	26QZ10HA18	G4-90	26QZ40HA14	G4-90
26Q50R56	G4-50, G4-109	26QS25L14	G4-101	26QZ10HA56	G4-90	26QZ40HA56	G4-90
26Q60H14	G4-50	26QS25L56	G4-101	26QZ10L14	G4-90	26QZ40L14	G4-90
26Q60H56	G4-50, G4-109	26QS25R14	G4-101	26QZ10L18	G4-90	26QZ40L56	G4-90
26Q60HA14	G4-50, G4-118	26QS25R56	G4-101	26QZ10L56	G4-90	26QZ40LR14	G4-90
26Q60HA56	G4-50, G4-118	26QS30H14	G4-101	26QZ10LR14	G4-90	26QZ40LR56	G4-90
26Q60L14	G4-50	26QS30H56	G4-101	26QZ10LR18	G4-90	26QZ40R14	G4-90
26Q60L56	G4-50, G4-109	26QS30L14	G4-101	26QZ10LR56	G4-90	26QZ40R56	G4-90
26Q60LR14	G4-50	26QS30L56	G4-101	26QZ10R14	G4-90	26QZ50H14	G4-90
26Q60LR56	G4-50, G4-109	26QS30R14	G4-101	26QZ10R18	G4-90	26QZ50H56	G4-90
26Q60R14	G4-50	26QS30R56	G4-101	26QZ10R56	G4-90	26QZ50HA14	G4-90
26Q60R56	G4-50, G4-109	26QS40H14	G4-101	26QZ15H14	G4-90	26QZ50HA56	G4-90
26QS05H14	G4-101	26QS40H56	G4-101	26QZ15H18	G4-90	26QZ50L14	G4-90
26QS05H18	G4-101	26QS40L14	G4-101	26QZ15H56	G4-90	26QZ50L56	G4-90
26QS05L14	G4-101	26QS40L56	G4-101	26QZ15HA14	G4-90	26QZ50LR14	G4-90
26QS05L18	G4-101	26QS40R14	G4-101	26QZ15HA18	G4-90	26QZ50LR56	G4-90
26QS05R14	G4-101	26QS40R56	G4-101	26QZ15HA56	G4-90	26QZ50R14	G4-90
26QS05R18	G4-101	26QS50H14	G4-101	26QZ15L14	G4-90	26QZ50R56	G4-90
26QS07H14	G4-101	26QS50H56	G4-101	26QZ15L18	G4-90	26QZ60H14	G4-90
26QS07H18	G4-101	26QS50L14	G4-101	26QZ15L56	G4-90	26QZ60H56	G4-90
26QS07H56	G4-101	26QS50L56	G4-101	26QZ15LR14	G4-90	26QZ60HA14	G4-90
26QS60L14	G4-101	26QS50R14	G4-101	26QZ15LR18	G4-90	26QZ60HA56	G4-90
26QS60L56	G4-101	26QS50R56	G4-101	26QZ15LR56	G4-90	26QZ60L14	G4-90
		26QS60H14	G4-101	26QZ15R14	G4-90	26QZ60L56	G4-90
		26QS60H56	G4-101	26QZ15R18	G4-90	26QZ60LR14	G4-90
		26QS60L14	G4-101	26QZ15R56	G4-90	26QZ60LR56	G4-90
		26QS60L56	G4-101	26QZ20H14	G4-90	26QZ60R14	G4-90

PART NUMBER INDEX



Part Number	Page	Part Number	Page	Part Number	Page	Part Number	Page
26QZ60R56	G4-90	26S60HA	G4-52, G4-118	272310	G2-68, G2-74	272625	G2-93, G2-95
26RISER	G4-114	26S60L	G4-52	272313	G2-69, G2-74	272626	G2-97, G2-99
26S05H	G4-52	26S60LR	G4-52	272318	G2-70, G2-74	272627	G2-101, G2-103
26S05HA	G4-52, G4-118	26S60R	G4-52	272324	G2-65, G2-81	272628	G2-105, G2-107
26S05L	G4-52	26SBASE	G4-112	272325	G2-51, G2-81, G2-113	272629	G2-109, G2-111
26S05LR	G4-52	26SHAFTREV	G4-127	272326	G2-55, G2-81, G2-117	272630	G2-113, G2-115
26S05R	G4-52	26STBUSH100	G4-117	272327	G2-59, G2-61, G2-81, G2-121	272631	G2-117, G2-119
26S07H	G4-52	26STBUSH103	G4-117	272328	G2-63, G2-81	272681	G2-53, G2-81, G2-115
26S07HA	G4-118	26STBUSH104	G4-117	272329	G2-67, G2-81	272685	G2-57, G2-81, G2-119
26S07L	G4-52	26STBUSH106	G4-117	272330	G2-68, G2-81	272688	G2-68, G2-77
26S07LR	G4-52	26TBUSH100	G4-117	272331	G2-69, G2-81	272721	G2-93, G2-128, G2-159
26S07R	G4-52	26TBUSH103	G4-117	272332	G2-70, G2-81	272722	G2-97, G2-128, G2-159
26S10H	G4-52	26TBUSH104	G4-117	272333	G2-71, G2-81	272726	G2-113, G2-115, G2-128, G2-159
26S10HA	G4-52, G4-118	26TIEROD	G4-115	272369	G2-47, G2-81, G2-109	272727	G2-117, G2-119, G2-128, G2-159
26S10L	G4-52	26ZBASE	G4-112	272370	G2-71	272794	G4-145, G4-147, G4-149, G4-151
26S10LR	G4-52	26ZBRACKET	G4-123	272392	G2-71, G2-74	275803	G4-132, G4-133, G4-134, G4-135, G4-136, G4-137, G4-138, G4-139, G4-140, G4-141, G4-142, G4-143, G4-145, G4-146, G4-147, G4-148, G4-149, G4-150, G4-151
26S10R	G4-52	26ZMOUNT	G4-113	272395	G2-71	275806	G4-145, G4-147, G4-149, G4-151
26S12H	G4-52	26ZRISER	G4-114	272396	G2-71	275853	G4-135, G4-139, G4-147, G4-151
26S12HA	G4-52	272032	G2-59, G2-61	272397	G2-71	275855	G4-134, G4-135, G4-138, G4-139, G4-141, G4-143, G4-146, G4-147, G4-150, G4-151
26S12L	G4-52	272033	G2-59, G2-61	272398	G2-71	275953	G4-137, G4-139, G4-142, G4-143, G4-149, G4-151
26S12LR	G4-52	272034	G2-59, G2-61	272446	G2-35, G2-80, G2-159	275954	G4-139, G4-143, G4-151
26S12R	G4-52	272035	G2-59, G2-61	272450	G2-51, G2-53, G2-80, G2-159	275962	G4-139, G4-143, G4-151
26S15H	G4-52	272048	G2-59, G2-61	272451	G2-55, G2-57, G2-80, G2-159	275962	G4-139, G4-143, G4-151
26S15HA	G4-52, G4-118	272056	G2-63, G2-65	272452	G2-59, G2-61, G2-80, G2-159	276019	G4-132, G4-136, G4-140, G4-142, G4-144, G4-148
26S15L	G4-52	272077	G2-63, G2-65	272453	G2-63, G2-65, G2-80, G2-159	276134	G4-132, G4-136, G4-140, G4-142, G4-144, G4-148
26S15LR	G4-52	272079	G2-63, G2-65	272454	G2-67, G2-80, G2-159	276169	G4-145, G4-147, G4-149, G4-151
26S15R	G4-52	272080	G2-63, G2-65	272455	G2-68, G2-80, G2-159	276335	G4-133, G4-135, G4-137, G4-139, G4-146, G4-148, G4-150
26S18H	G4-52	272125	G2-55, G2-57	272456	G2-69, G2-80, G2-159		
26S18HA	G4-52	272132	G2-55, G2-57	272457	G2-70, G2-80, G2-159		
26S18L	G4-52	272133	G2-55, G2-57	272458	G2-71, G2-80, G2-159		
26S18LR	G4-52	272134	G2-55, G2-57	272459	G2-37, G2-80, G2-159		
26S18R	G4-52	272135	G2-55, G2-57	272515	G2-31, G2-80, G2-159		
26S20H	G4-52	272136	G2-55, G2-57	272521	G2-33, G2-80, G2-159		
26S20HA	G4-52, G4-118	272147	G2-55, G2-57	272594	G2-43, G2-81, G2-105		
26S20L	G4-52	272150	G2-70	272600	G2-67		
26S20LR	G4-52	272191	G2-70	272601	G2-67		
26S20R	G4-52	272192	G2-70	272604	G2-67		
26S25H	G4-52	272193	G2-70	272605	G2-67		
26S25HA	G4-52, G4-118	272194	G2-70	272615	G2-68		
26S25L	G4-52	272214	G2-67	272617	G2-68		
26S25LR	G4-52	272215	G2-68				
26S25R	G4-52	272216	G2-68				
26S30H	G4-52	272217	G2-68				
26S30HA	G4-52, G4-118	272218	G2-68				
26S30L	G4-52	272219	G2-68				
26S30LR	G4-52	272238	G2-67				
26S30R	G4-52	272239	G2-67				
26S40H	G4-52	272240	G2-67				
26S40HA	G4-52, G4-118	272250	G2-69				
26S40L	G4-52	272257	G2-69				
26S40LR	G4-52	272259	G2-65, G2-69, G2-79, G2-185				
26S40R	G4-52	272290	G2-69				
26S50H	G4-52	272291	G2-69				
26S50HA	G4-52, G4-118	272292	G2-69				
26S50L	G4-52	272293	G2-70, G2-71, G2-79, G2-185				
26S50LR	G4-52						
26S50R	G4-52						
26S60H	G4-52						

PART NUMBER INDEX



Part Number	Page	Part Number	Page	Part Number	Page	Part Number	Page
276355	G4-132, G4-134, G4-136, G4-138, G4-140, G4-142, G4-144, G4-146, G4-148, G4-150	299103	G3-25	299180	G3-28	299238	G3-31
276358	G4-134, G4-138, G4-141, G4-143, G4-146, G4-150	299104	G3-25	299181	G3-28	299239	G3-31
276446	G4-135, G4-139	299105	G3-25	299182	G3-28	299240	G3-31
278715	G4-135, G4-139, G4-141, G4-143, G4-146, G4-150	299106	G3-25	299183	G3-28	299241	G3-31
278717	G4-135, G4-139, G4-141, G4-143, G4-146, G4-150	299107	G3-25	299184	G3-28	299242	G3-31
278900	G4-145, G4-147, G4-149, G4-151	299108	G3-25	299185	G3-28	299243	G3-31
278901	G4-145, G4-147, G4-149, G4-151	299109	G3-25	299186	G3-28	299244	G3-31
278907	G4-145, G4-147, G4-149, G4-151	299110	G3-25	299187	G3-28	299245	G3-31
278911	G4-145, G4-147, G4-149, G4-151	299111	G3-25	299188	G3-28	299246	G3-31
278912	G4-145, G4-147, G4-151	299112	G3-25	299189	G3-28	299247	G3-31
299069	G3-24	299113	G3-25	299190	G3-28	299248	G3-31
299070	G3-24	299114	G3-25	299191	G3-28	299249	G3-31
299071	G3-24	299115	G3-26	299192	G3-28	299250	G3-31
299072	G3-24	299116	G3-26	299193	G3-28	299251	G3-31
299073	G3-24	299117	G3-26	299194	G3-28	299375	G3-24, G3-34
299074	G3-24	299118	G3-26	299195	G3-29	299377	G3-25, G3-26, G3-34
299075	G3-24	299119	G3-26	299196	G3-29	299379	G3-27, G3-35
299076	G3-24	299120	G3-26	299197	G3-29	299380	G3-27, G3-35
299077	G3-24	299121	G3-26	299198	G3-29	299384	G3-28, G3-35
299078	G3-24	299122	G3-26	299199	G3-29	299385	G3-28, G3-35
299079	G3-24	299123	G3-26	299200	G3-29	299386	G3-28, G3-35
299080	G3-24	299124	G3-26	299201	G3-29	299387	G3-29, G3-35
299081	G3-24	299125	G3-26	299202	G3-29	299388	G3-29, G3-35
299082	G3-24	299126	G3-26	299203	G3-29	299389	G3-29, G3-35
299083	G3-24	299127	G3-26	299204	G3-29	299390	G3-30, G3-35
299084	G3-24	299128	G3-26	299205	G3-29	299391	G3-30, G3-35
299085	G3-24	299129	G3-26	299206	G3-29	299392	G3-30, G3-35
299086	G3-24	299130	G3-26	299207	G3-29	299393	G3-31, G3-35
299087	G3-24	299131	G3-26	299208	G3-29	299394	G3-31, G3-35
299088	G3-24	299132	G3-26	299209	G3-29	299395	G3-31, G3-35
299089	G3-24	299133	G3-26	299210	G3-29	299454	G3-43
299090	G3-24	299134	G3-26	299211	G3-29	299455	G3-43
299091	G3-24	299135	G3-26	299212	G3-29	299456	G3-43
299092	G3-25	299136	G3-26	299213	G3-29	299457	G3-43
299093	G3-25	299137	G3-26	299214	G3-30	299458	G3-43
299094	G3-25	299138	G3-27, G3-56	299215	G3-30	299461	G3-43
299095	G3-25	299139	G3-27	299216	G3-30	299462	G3-43
299096	G3-25	299140	G3-27, G3-56	299217	G3-30	299463	G3-43
299097	G3-25	299141	G3-27	299218	G3-30	299464	G3-43
299098	G3-25	299142	G3-27	299219	G3-30	299467	G3-43
299099	G3-25	299143	G3-27	299220	G3-30	299468	G3-43
299100	G3-25	299144	G3-27	299221	G3-30	299469	G3-43
299101	G3-25	299145	G3-6, G3-27	299222	G3-30	299470	G3-43
299102	G3-16, G3-25	299146	G3-27	299223	G3-30	299471	G3-43
		299147	G3-27	299224	G3-30	299474	G3-43
		299148	G3-27	299225	G3-30	299475	G3-43
		299149	G3-27	299226	G3-30	299476	G3-43
		299150	G3-27	299227	G3-30	299477	G3-43
		299151	G3-27	299228	G3-30	299480	G3-43
		299152	G3-27	299229	G3-30	299481	G3-43
		299153	G3-27	299230	G3-30	299482	G3-43
		299154	G3-27	299231	G3-30	299488	G3-33
		299155	G3-27	299232	G3-30	299489	G3-33
		299156	G3-27	299233	G3-31	299520	G3-24, G3-38
		299176	G3-28	299234	G3-31	299521	G3-25, G3-38
		299177	G3-28	299235	G3-31	299522	G3-26, G3-38
		299178	G3-28	299236	G3-31	299523	G3-27, G3-38, G3-56
		299179	G3-28	299237	G3-31		

PART NUMBER INDEX



Part Number	Page	Part Number	Page	Part Number	Page	Part Number	Page
299525	.G3-28, G3-38	303150	.G3-28	303209	.G3-31	30A15H18	G4-60
299526	.G3-29, G3-38	303151	.G3-28	303210	.G3-31	30A15L14	G4-60
299527	.G3-30, G3-38	303152	.G3-28	303211	.G3-31	30A15L18	G4-60
299528	.G3-31, G3-38	303153	.G3-28	303212	.G3-31	30A15LR14	G4-60
299530	.G3-24, G3-49	303154	.G3-28	303213	.G3-31	30A15LR18	G4-60
299531	G3-25, G3-26, G3-49	303155	.G3-28	3035BUSH111	G4-117	30A15R14	G4-60
299532	.G3-27, G3-50	303156	.G3-28	3035FLANGE	G4-116	30A15R18	G4-60
299534	.G3-28, G3-50	303157	.G3-29	3035SBUSH111	G4-117	30A20H14	G4-60
299535	.G3-29, G3-50	303158	.G3-29	3035SPACER	G4-112	30A20H18	G4-60
299536	.G3-30, G3-50	303159	.G3-29	3035STBUSH106	G4-117	30A20H56	G4-60
299537	.G3-31, G3-50	303160	.G3-29	3035STBUSH107	G4-117	30A20L14	G4-60
299842	.G3-29, G3-38	303161	.G3-29	3035STBUSH108	G4-117	30A20L18	G4-60
299843	.G3-30, G3-38	303162	.G3-29	3035TBUSH106	G4-117	30A20L56	G4-60
299844	.G3-31, G3-38	303163	.G3-29	3035TBUSH107	G4-117	30A20LR14	G4-60
299845	.G3-30, G3-35	303164	.G3-29	3035TBUSH108	G4-117	30A20LR18	G4-60
299846	.G3-31, G3-35	303165	.G3-29	3035ZFLANGE	G4-116	30A20LR56	G4-60
300302	.G3-24, G3-51	303166	.G3-29	304630	.G3-24, G3-48	30A20R14	G4-60
300903	.G3-25, G3-51	303167	.G3-29	304631	.G3-25, G3-48	30A20R18	G4-60
300904	.G3-26, G3-51	303168	.G3-29	304632	.G3-26, G3-48	30A20R56	G4-60
300906	.G3-25, G3-51	303169	.G3-29	304633	.G3-27, G3-48	30A25H14	G4-60
301204	.G3-26, G3-51	303170	.G3-29	304635	.G3-28, G3-48	30A25H18	G4-60
301504	.G3-27, G3-51	303171	.G3-29	304636	.G3-29, G3-48	30A25H56	G4-60
302104	.G3-28, G3-51	303172	.G3-29	304637	.G3-30, G3-48	30A25L14	G4-60
302408	.G3-29, G3-51	303173	.G3-29	304638	.G3-31, G3-48	30A25L18	G4-60
302711	.G3-30, G3-51	303174	.G3-29	304936	.G3-43	30A25L56	G4-60
302713	.G3-31, G3-51	303175	.G3-29	304938	.G3-43	30A25LR14	G4-60
303100	.G3-27	303176	.G3-30	304939	.G3-43	30A25LR18	G4-60
303101	.G3-27	303177	.G3-30	304940	.G3-43	30A25LR56	G4-60
303102	.G3-27	303178	.G3-30	304941	.G3-43	30A25R14	G4-60
303103	.G3-27	303179	.G3-30	304942	.G3-43	30A25R18	G4-60
303104	.G3-27	303180	.G3-30	304943	.G3-43	30A25R56	G4-60
303105	.G3-27	303181	.G3-30	304947	.G3-43	30A30H14	G4-60
303106	.G3-27	303182	.G3-30	304950	.G3-43	30A30H56	G4-60
303107	.G3-27	303183	.G3-30	30A05H14	G4-60	30A30L14	G4-60
303108	.G3-27	303184	.G3-30	30A05H18	G4-60	30A30L56	G4-60
303109	.G3-27	303185	.G3-30	30A05L14	G4-60	30A30LR14	G4-60
303110	.G3-27	303186	.G3-30	30A05L18	G4-60	30A30LR56	G4-60
303111	.G3-27	303187	.G3-30	30A05LR14	G4-60	30A30R14	G4-60
303112	.G3-27	303188	.G3-30	30A05LR18	G4-60	30A30R56	G4-60
303113	.G3-27	303189	.G3-30	30A05R14	G4-60	30A40H14	G4-60
303114	.G3-27	303190	.G3-30	30A05R18	G4-60	30A40H56	G4-60
303115	.G3-27	303191	.G3-30	30A07H14	G4-60	30A40L14	G4-60
303116	.G3-27	303192	.G3-30	30A07H18	G4-60	30A40L56	G4-60
303117	.G3-27	303193	.G3-30	30A07L14	G4-60	30A40LR14	G4-60
303118	.G3-27	303194	.G3-30	30A07L18	G4-60	30A40LR56	G4-60
303138	.G3-28	303196	.G3-31	30A07LR14	G4-60	30A40R14	G4-60
303139	.G3-28	303197	.G3-31	30A07LR18	G4-60	30A40R56	G4-60
303140	.G3-28	303198	.G3-31	30A07R14	G4-60	30A50H14	G4-60
303141	.G3-28	303199	.G3-31	30A07R18	G4-60	30A50H56	G4-60
303142	.G3-28	303200	.G3-31	30A10H14	G4-60	30A50L14	G4-60
303143	.G3-28	303201	.G3-31	30A10H18	G4-60	30A50L56	G4-60
303144	.G3-28	303202	.G3-31	30A10L14	G4-60	30A50LR14	G4-60
303145	.G3-28	303203	.G3-31	30A10L18	G4-60	30A50LR56	G4-60
303146	.G3-28	303204	.G3-31	30A10LR14	G4-60	30A50R14	G4-60
303147	.G3-28	303205	.G3-31	30A10LR18	G4-60	30A50R56	G4-60
303148	.G3-28	303206	.G3-31	30A10R14	G4-60	30A60H14	G4-60
303149	.G3-28	303207	.G3-31	30A10R18	G4-60	30A60H56	G4-60
		303208	.G3-31	30A15H14	G4-60	30A60L14	G4-60

PART NUMBER INDEX



Part Number	Page	Part Number	Page	Part Number	Page	Part Number	Page
30A60L56	G4-60	30AS25R14	G4-103	30AZ10R18	G4-93	30AZ60H56	G4-93
30A60LR14	G4-60	30AS25R18	G4-103	30AZ15H14	G4-93	30AZ60L14	G4-93
30A60LR56	G4-60	30AS25R56	G4-103	30AZ15H18	G4-93	30AZ60L56	G4-93
30A60R14	G4-60	30AS30H14	G4-103	30AZ15L14	G4-93	30AZ60LR14	G4-93
30A60R56	G4-60	30AS30H56	G4-103	30AZ15L18	G4-93	30AZ60LR56	G4-93
30AS05H14	G4-103	30AS30L14	G4-103	30AZ15LR14	G4-93	30AZ60R14	G4-93
30AS05H18	G4-103	30AS30L56	G4-103	30AZ15LR18	G4-93	30AZ60R56	G4-93
30AS05L14	G4-103	30AS30LR14	G4-103	30AZ15R14	G4-93	30BASE	G4-56, G4-60, G4-112
30AS05L18	G4-103	30AS30LR56	G4-103	30AZ15R18	G4-93	30BRACKET	G4-123
30AS05LR14	G4-103	30AS30R14	G4-103	30AZ20H14	G4-93	30CLSDCOVER	G4-128
30AS05LR18	G4-103	30AS30R56	G4-103	30AZ20H18	G4-93	30DOWN35	G4-125
30AS05R14	G4-103	30AS40H14	G4-103	30AZ20H56	G4-93	30JMOUNT	G4-113
30AS05R18	G4-103	30AS40H56	G4-103	30AZ20L14	G4-93	30PENCOVER	G4-128
30AS07H14	G4-103	30AS40L14	G4-103	30AZ20L18	G4-93	30PLUGIN	G4-124
30AS07H18	G4-103	30AS40L56	G4-103	30AZ20L56	G4-93	30Q05H14	G4-56
30AS07L14	G4-103	30AS40LR14	G4-103	30AZ20LR14	G4-93	30Q05H18	G4-56
30AS07L18	G4-103	30AS40LR56	G4-103	30AZ20LR18	G4-93	30Q05L14	G4-56
30AS07LR14	G4-103	30AS40R14	G4-103	30AZ20LR56	G4-93	30Q05L18	G4-56
30AS07LR18	G4-103	30AS40R56	G4-103	30AZ20R14	G4-93	30Q05LR14	G4-56
30AS07R14	G4-103	30AS50H14	G4-103	30AZ20R18	G4-93	30Q05LR18	G4-56
30AS07R18	G4-103	30AS50H56	G4-103	30AZ20R56	G4-93	30Q05R14	G4-56
30AS10H14	G4-103	30AS50L14	G4-103	30AZ25H14	G4-93	30Q05R18	G4-56
30AS10H18	G4-103	30AS50L56	G4-103	30AZ25H18	G4-93	30Q07H14	G4-56
30AS10L14	G4-103	30AS50LR14	G4-103	30AZ25H56	G4-93	30Q07H18	G4-56
30AS10L18	G4-103	30AS50LR56	G4-103	30AZ25L14	G4-93	30Q07L14	G4-56
30AS10LR14	G4-103	30AS50R14	G4-103	30AZ25L18	G4-93	30Q07L18	G4-56
30AS10LR18	G4-103	30AS50R56	G4-103	30AZ25L56	G4-93	30Q07LR14	G4-56
30AS10R14	G4-103	30AS60H14	G4-103	30AZ25LR14	G4-93	30Q07LR18	G4-56
30AS10R18	G4-103	30AS60H56	G4-103	30AZ25LR18	G4-93	30Q07R14	G4-56
30AS15H14	G4-103	30AS60L14	G4-103	30AZ25LR56	G4-93	30Q07R18	G4-56
30AS15H18	G4-103	30AS60L56	G4-103	30AZ25R14	G4-93	30Q10H14	G4-56
30AS15L14	G4-103	30AS60LR14	G4-103	30AZ25R18	G4-93	30Q10H18	G4-56
30AS15L18	G4-103	30AS60LR56	G4-103	30AZ25R56	G4-93	30Q10L14	G4-56
30AS15LR14	G4-103	30AS60R14	G4-103	30AZ30H14	G4-93	30Q10L18	G4-56
30AS15LR18	G4-103	30AS60R56	G4-103	30AZ30H56	G4-93	30Q10LR14	G4-56
30AS15R14	G4-103	30AZ05H14	G4-93	30AZ30L14	G4-93	30Q10LR18	G4-56
30AS15R18	G4-103	30AZ05H18	G4-93	30AZ30L56	G4-93	30Q10R14	G4-56
30AS20H14	G4-103	30AZ05L14	G4-93	30AZ30LR14	G4-93	30Q10R18	G4-56
30AS20H18	G4-103	30AZ05L18	G4-93	30AZ30LR56	G4-93	30Q15H14	G4-56, G4-108
30AS20H56	G4-103	30AZ05LR14	G4-93	30AZ30R14	G4-93	30Q15H18	G4-56
30AS20L14	G4-103	30AZ05LR18	G4-93	30AZ30R56	G4-93	30Q15L14	G4-56, G4-108
30AS20L18	G4-103	30AZ05R14	G4-93	30AZ40H14	G4-93	30Q15L18	G4-56
30AS20L56	G4-103	30AZ05R18	G4-93	30AZ40H56	G4-93	30Q15LR14	G4-56, G4-108
30AS20LR14	G4-103	30AZ07H14	G4-93	30AZ40L14	G4-93	30Q15LR18	G4-56
30AS20LR18	G4-103	30AZ07H18	G4-93	30AZ40L56	G4-93	30Q15R14	G4-56, G4-108
30AS20LR56	G4-103	30AZ07L14	G4-93	30AZ40LR14	G4-93	30Q15R18	G4-56
30AS20R14	G4-103	30AZ07L18	G4-93	30AZ40LR56	G4-93	30Q20H14	G4-56, G4-108
30AS20R18	G4-103	30AZ07LR14	G4-93	30AZ40R14	G4-93	30Q20H18	G4-56
30AS20R56	G4-103	30AZ07LR18	G4-93	30AZ40R56	G4-93	30Q20H56	G4-56
30AS25H14	G4-103	30AZ07R14	G4-93	30AZ50H14	G4-93	30Q20L14	G4-56, G4-108
30AS25H18	G4-103	30AZ07R18	G4-93	30AZ50H56	G4-93	30Q20L18	G4-56
30AS25H56	G4-103	30AZ10H14	G4-93	30AZ50H56	G4-93	30Q20L56	G4-56
30AS25L14	G4-103	30AZ10H18	G4-93	30AZ50L14	G4-93	30Q20LR14	G4-56, G4-108
30AS25L18	G4-103	30AZ10H56	G4-93	30AZ50L56	G4-93	30Q20LR18	G4-56
30AS25L56	G4-103	30AZ10L14	G4-93	30AZ50LR14	G4-93	30Q20LR56	G4-56
30AS25LR14	G4-103	30AZ10L18	G4-93	30AZ50LR56	G4-93	30Q20R14	G4-56, G4-108
30AS25LR18	G4-103	30AZ10LR14	G4-93	30AZ50R14	G4-93	30Q20R18	G4-56
30AS25LR56	G4-103	30AZ10LR18	G4-93	30AZ50R56	G4-93		
		30AZ10R14	G4-93	30AZ60H14	G4-93		

PART NUMBER INDEX



Part Number	Page	Part Number	Page	Part Number	Page	Part Number	Page
30Q20R56	G4-56	30QS07LR18	G4-102	30QS40R56	G4-102	30QZ20R14	G4-92
30Q25H14	G4-56, G4-108	30QS07R14	G4-102	30QS50H14	G4-102	30QZ20R18	G4-92
30Q25H18	G4-56	30QS07R18	G4-102	30QS50H56	G4-102	30QZ20R56	G4-92
30Q25H56	G4-56	30QS10H14	G4-102	30QS50L14	G4-102	30QZ25H14	G4-92
30Q25L14	G4-56, G4-108	30QS10H18	G4-102	30QS50L56	G4-102	30QZ25H56	G4-92
30Q25L18	G4-56	30QS10L14	G4-102	30QS50LR14	G4-102	30QZ25L14	G4-92
30Q25L56	G4-56	30QS10L18	G4-102	30QS50LR56	G4-102	30QZ25L18	G4-92
30Q25LR14	G4-56, G4-108	30QS10LR14	G4-102	30QS50R14	G4-102	30QZ25L56	G4-92
30Q25LR18	G4-56	30QS10LR18	G4-102	30QS50R56	G4-102	30QZ25LR14	G4-92
30Q25LR56	G4-56	30QS10R14	G4-102	30QS60H14	G4-102	30QZ25LR18	G4-92
30Q25R14	G4-56, G4-108	30QS10R18	G4-102	30QS60H56	G4-102	30QZ25LR56	G4-92
30Q25R18	G4-56	30QS15H14	G4-102	30QS60L14	G4-102	30QZ25R14	G4-92
30Q25R56	G4-56	30QS15H18	G4-102	30QS60L56	G4-102	30QZ25R18	G4-92
30Q30H14	G4-56, G4-108	30QS15L14	G4-102	30QS60LR14	G4-102	30QZ25R56	G4-92
30Q30H56	G4-56	30QS15L18	G4-102	30QS60LR56	G4-102	30QZ30H14	G4-92
30Q30L14	G4-56, G4-108	30QS15LR14	G4-102	30QS60R14	G4-102	30QZ30H56	G4-92
30Q30L56	G4-56	30QS15LR18	G4-102	30QS60R56	G4-102	30QZ30L14	G4-92
30Q30LR14	G4-56, G4-108	30QS15R14	G4-102	30QZ05H14	G4-92	30QZ30L56	G4-92
30Q30LR56	G4-56	30QS15R18	G4-102	30QZ05H18	G4-92	30QZ30LR14	G4-92
30Q30R14	G4-56, G4-108	30QS20H14	G4-102	30QZ05L14	G4-92	30QZ30LR56	G4-92
30Q30R56	G4-56	30QS20H18	G4-102	30QZ05L18	G4-92	30QZ30R14	G4-92
30Q40H14	G4-56, G4-108	30QS20H56	G4-102	30QZ05LR14	G4-92	30QZ40H14	G4-92
30Q40H56	G4-56, G4-109	30QS20L14	G4-102	30QZ05LR18	G4-92	30QZ40H56	G4-92
30Q40L14	G4-56, G4-108	30QS20L18	G4-102	30QZ05R14	G4-92	30QZ40L14	G4-92
30Q40L56	G4-56, G4-109	30QS20L56	G4-102	30QZ05R18	G4-92	30QZ40L56	G4-92
30Q40LR14	G4-56, G4-108	30QS20LR14	G4-102	30QZ07H14	G4-92	30QZ40LR14	G4-92
30Q40LR56	G4-56, G4-109	30QS20LR18	G4-102	30QZ07H18	G4-92	30QZ40LR56	G4-92
30Q40R14	G4-56, G4-108	30QS20LR56	G4-102	30QZ07L14	G4-92	30QZ40R14	G4-92
30Q40R56	G4-56, G4-109	30QS20R14	G4-102	30QZ07L18	G4-92	30QZ40R56	G4-92
30Q50H14	G4-56	30QS20R18	G4-102	30QZ07LR14	G4-92	30QZ50H14	G4-92
30Q50H56	G4-56, G4-109	30QS20R56	G4-102	30QZ07LR18	G4-92	30QZ50H56	G4-92
30Q50L14	G4-56	30QS25H14	G4-102	30QZ07R14	G4-92	30QZ50L14	G4-92
30Q50L56	G4-56, G4-109	30QS25H18	G4-102	30QZ07R18	G4-92	30QZ50L56	G4-92
30Q50LR14	G4-56	30QS25H56	G4-102	30QZ10H14	G4-92	30QZ50LR14	G4-92
30Q50LR56	G4-56, G4-109	30QS25L14	G4-102	30QZ10H18	G4-92	30QZ50LR56	G4-92
30Q50R14	G4-56	30QS25L18	G4-102	30QZ10L14	G4-92	30QZ50R14	G4-92
30Q50R56	G4-56, G4-109	30QS25L56	G4-102	30QZ10L18	G4-92	30QZ50R56	G4-92
30Q60H14	G4-56	30QS25LR14	G4-102	30QZ10LR14	G4-92	30QZ60H14	G4-92
30Q60H56	G4-56, G4-109	30QS25LR18	G4-102	30QZ10LR18	G4-92	30QZ60H56	G4-92
30Q60L14	G4-56	30QS25LR56	G4-102	30QZ10R14	G4-92	30QZ60L14	G4-92
30Q60L56	G4-56, G4-109	30QS25R14	G4-102	30QZ10R18	G4-92	30QZ60L56	G4-92
30Q60LR14	G4-56	30QS25R18	G4-102	30QZ15H14	G4-92	30QZ60LR14	G4-92
30Q60LR56	G4-56, G4-109	30QS25R56	G4-102	30QZ15H18	G4-92	30QZ60LR56	G4-92
30Q60R14	G4-56	30QS30H14	G4-102	30QZ15L14	G4-92	30QZ60R14	G4-92
30Q60R56	G4-56, G4-109	30QS30H56	G4-102	30QZ15L18	G4-92	30QZ60R56	G4-92
30QS05H14	G4-102	30QS30L14	G4-102	30QZ15LR14	G4-92	30RISER	G4-114
30QS05H18	G4-102	30QS30L56	G4-102	30QZ15LR18	G4-92	30S05H	G4-58
30QS05L14	G4-102	30QS30LR14	G4-102	30QZ15R14	G4-92	30S05L	G4-58
30QS05L18	G4-102	30QS30LR56	G4-102	30QZ15R18	G4-92	30S05LR	G4-58
30QS05LR14	G4-102	30QS30R14	G4-102	30QZ20H14	G4-92	30S05R	G4-58
30QS05LR18	G4-102	30QS30R56	G4-102	30QZ20H18	G4-92	30S07H	G4-58
30QS05R14	G4-102	30QS40H14	G4-102	30QZ20H56	G4-92	30S07L	G4-58
30QS05R18	G4-102	30QS40H56	G4-102	30QZ20L14	G4-92	30S07LR	G4-58
30QS07H14	G4-102	30QS40L14	G4-102	30QZ20L18	G4-92	30S07R	G4-58
30QS07H18	G4-102	30QS40L56	G4-102	30QZ20L56	G4-92	30S10H	G4-58
30QS07L14	G4-102	30QS40LR14	G4-102	30QZ20LR14	G4-92	30S10L	G4-58
30QS07L18	G4-102	30QS40LR56	G4-102	30QZ20LR18	G4-92	30S10LR	G4-58
30QS07LR14	G4-102	30QS40R14	G4-102	30QZ20LR56	G4-92	30S10R	G4-58

PART NUMBER INDEX



Part Number	Page	Part Number	Page	Part Number	Page	Part Number	Page
30S15H	G4-58	333221	G4-136, G4-142, G4-148	333604	G4-133, G4-140, G4-145	333698	G4-132, G4-134, G4-136, G4-138
30S15L	G4-58	333222	G4-136, G4-142, G4-148	333605	G4-133, G4-140, G4-145	333705	G4-135, G4-141, G4-147
30S15LR	G4-58	333223	G4-138, G4-143, G4-150	333606	G4-133, G4-140, G4-145	333706	G4-134, G4-141, G4-146
30S15R	G4-58	333224	G4-138, G4-143, G4-150	333607	G4-133, G4-140, G4-145	333707	G4-132, G4-134, G4-136, G4-138
30S20H	G4-58	333225	G4-138, G4-143, G4-150	333608	G4-133, G4-140, G4-145	333709	G4-139, G4-143, G4-151
30S20L	G4-58	333228	G4-133, G4-136	333609	G4-135, G4-141, G4-147	333712	G4-138, G4-143, G4-150
30S20LR	G4-58	333229	G4-133, G4-135, G4-136, G4-138	333610	G4-135, G4-141, G4-147	333715	G4-134, G4-138
30S20R	G4-58	333231	G4-135, G4-138	333611	G4-135, G4-141, G4-147	333716	G4-135, G4-141, G4-147
30S25H	G4-58	333236	G4-144, G4-148	333629	G4-137, G4-142, G4-149	333717	G4-138, G4-143, G4-150
30S25L	G4-58	333237	G4-146, G4-148, G4-150	333631	G4-137, G4-142, G4-149	333721	G4-134, G4-138
30S25LR	G4-58	333239	G4-146, G4-150	333633	G4-137, G4-142, G4-149	333725	G4-132, G4-140, G4-144
30S25R	G4-58	333245	G4-140, G4-142, G4-144, G4-148	333634	G4-137, G4-142, G4-149	333726	G4-132, G4-140, G4-144
30S30H	G4-58	333246	G4-140, G4-142, G4-144, G4-148	333635	G4-139, G4-143, G4-151	333727	G4-132, G4-140, G4-144
30S30L	G4-58	333249	G4-140, G4-141, G4-142, G4-143, G4-144, G4-146, G4-148, G4-150	333636	G4-139, G4-143, G4-151	333728	G4-132, G4-140, G4-144
30S30LR	G4-58	333250	G4-141, G4-143, G4-146, G4-150	333650	G4-132, G4-136, G4-140, G4-142, G4-144, G4-148	333729	G4-132, G4-140, G4-144
30S30R	G4-58	333253	G4-141, G4-143, G4-146, G4-150	333660	G4-133, G4-140, G4-145	333730	G4-134, G4-141, G4-146
30S40H	G4-58	333265	G4-132, G4-140, G4-144	333661	G4-132, G4-140, G4-144	333731	G4-134, G4-141, G4-146
30S40L	G4-58	333266	G4-132, G4-140, G4-144	333665	G4-133, G4-140, G4-145	333732	G4-134, G4-141, G4-146
30S40LR	G4-58	333267	G4-132, G4-140, G4-144	333666	G4-132, G4-136, G4-140, G4-142, G4-144, G4-148	333733	G4-136, G4-142, G4-148
30S40R	G4-58	333268	G4-132, G4-140, G4-144	333670	G4-138, G4-143, G4-150	333734	G4-136, G4-142, G4-148
30S50H	G4-58	333269	G4-134, G4-141, G4-146	333671	G4-132, G4-136, G4-140, G4-142, G4-144, G4-148	333735	G4-136, G4-142, G4-148
30S50L	G4-58	333270	G4-134, G4-141, G4-146	333685	G4-133, G4-145	333736	G4-136, G4-142, G4-148
30S50LR	G4-58	333271	G4-134, G4-141, G4-146	333686	G4-132, G4-136, G4-140, G4-142, G4-144, G4-148	333737	G4-136, G4-142, G4-148
30S50R	G4-58	333281	G4-134, G4-141, G4-146	333687	G4-137, G4-139, G4-142, G4-143, G4-149, G4-151	333738	G4-138, G4-143, G4-150
30S60H	G4-58	333282	G4-134, G4-141, G4-146	333695	G4-135, G4-141, G4-147	333739	G4-138, G4-143, G4-150
30S60L	G4-58	333283	G4-134, G4-141, G4-146	333696	G4-134, G4-141, G4-146	333740	G4-138, G4-143, G4-150
30S60LR	G4-58	333284	G4-134, G4-141, G4-146			333775	G4-134, G4-141, G4-146
30S60R	G4-58	333285	G4-138, G4-143, G4-150			333783	G4-146, G4-150
30SBASE	G4-112	333286	G4-138, G4-143, G4-150			333800	G4-137, G4-142, G4-149
30SFLANGE	G4-116	333287	G4-138, G4-143, G4-150			333801	G4-132, G4-136
30SHAFTREV	G4-127					333805	G4-139, G4-143, G4-151
30TIEROD	G4-115						
30ZBASE	G4-112						
30ZBRACKET	G4-123						
30ZJMOUNT	G4-113						
30ZRISER	G4-114						
333210	G4-132, G4-140, G4-144						
333211	G4-132, G4-140, G4-144						
333212	G4-132, G4-140, G4-144						
333213	G4-132, G4-140, G4-144						
333214	G4-132, G4-140, G4-144						
333215	G4-134, G4-141, G4-146						
333216	G4-134, G4-141, G4-146						
333217	G4-134, G4-141, G4-146						
333218	G4-136, G4-142, G4-148						
333219	G4-136, G4-142, G4-148						
333220	G4-136, G4-142, G4-148						

PART NUMBER INDEX



Engineering

System-1

Part Number Index

Keyword Index

Part Number	Page	Part Number	Page	Part Number	Page	Part Number	Page
333807.....	G4-141, G4-142, G4-143, G4-145, G4-147, G4-149, G4-151	334270.....	G4-140, G4-142, G4-144, G4-148	334307.....	G4-132, G4-136, G4-140, G4-142, G4-144, G4-148	334582.....	G4-138, G4-143, G4-150
333808.....	G4-140, G4-142, G4-145, G4-149	334271.....	G4-133, G4-140, G4-142, G4-144, G4-145, G4-148	334308.....	G4-134, G4-138, G4-141, G4-143, G4-146, G4-150	334619.....	G4-135, G4-141, G4-147
333826.....	G4-141, G4-143, G4-146, G4-150	334272.....	G4-133, G4-140, G4-141, G4-142, G4-143, G4-144, G4-145, G4-146, G4-148, G4-150	334309.....	G4-145, G4-149	334621.....	G4-139, G4-143, G4-151
333827.....	G4-133, G4-137, G4-140, G4-142, G4-145, G4-149	334273.....	G4-133, G4-135, G4-137, G4-140, G4-141, G4-142, G4-145, G4-147, G4-149	334313.....	G4-134, G4-138, G4-141, G4-143, G4-146, G4-150	334623.....	G4-139, G4-143, G4-151
333829.....	G4-135, G4-141, G4-147	334274.....	G4-132, G4-135, G4-136, G4-137, G4-141, G4-142, G4-143, G4-146, G4-147, G4-149, G4-150	334314.....	G4-141, G4-143, G4-146, G4-150	334624.....	G4-134, G4-138, G4-141, G4-143, G4-146, G4-150
333830.....	G4-140, G4-142, G4-148	334275.....	G4-135, G4-141, G4-147	334315.....	G4-134, G4-138, G4-141, G4-143, G4-146, G4-150	334625.....	G4-134, G4-141, G4-146
333831.....	G4-137, G4-140, G4-141, G4-142, G4-143, G4-144, G4-146, G4-148, G4-149, G4-150	334276.....	G4-132, G4-134, G4-136, G4-137, G4-138, G4-142, G4-149	334373.....	G4-146, G4-150	334626.....	G4-138, G4-143, G4-150
333933.....	G4-135, G4-139, G4-141, G4-143, G4-146, G4-150	334277.....	G4-135, G4-137, G4-141, G4-142, G4-147, G4-149	334374.....	G4-134, G4-138	334681.....	G4-133, G4-135, G4-136, G4-138
334211.....	G4-140, G4-142, G4-144, G4-148	334278.....	G4-135, G4-139, G4-141, G4-143, G4-147, G4-151	334404.....	G4-135, G4-139, G4-141, G4-143, G4-146, G4-150	334683.....	G4-146, G4-148, G4-150
334212.....	G4-140, G4-142, G4-144, G4-148	334279.....	G4-134, G4-138, G4-139, G4-143, G4-151	334506.....	G4-134, G4-141, G4-146	334757.....	G4-146, G4-150
334213.....	G4-140, G4-141, G4-142, G4-143, G4-144, G4-146, G4-148, G4-150	334280.....	G4-139, G4-143, G4-151	334507.....	G4-138, G4-143, G4-150	334759.....	G4-135, G4-138
334214.....	G4-141, G4-143, G4-146, G4-150	334281.....	G4-139, G4-143, G4-151	334508.....	G4-141, G4-143, G4-146, G4-150	334789.....	G4-137, G4-142, G4-149
334215.....	G4-141, G4-143, G4-146, G4-150	334285.....	G4-147, G4-151	334510.....	G4-134, G4-141, G4-146	334860.....	G4-127
334216.....	G4-141, G4-143, G4-146, G4-150	334286.....	G4-147, G4-151	334512.....	G4-138, G4-143, G4-150	334861.....	G4-127
334218.....	G4-132, G4-136, G4-140, G4-142, G4-144, G4-148	334288.....	G4-147, G4-151	334554.....	G4-135, G4-141, G4-147	334862.....	G4-127, G4-134, G4-136, G4-138, G4-140, G4-141, G4-143, G4-144, G4-146, G4-150
334219.....	G4-132, G4-136, G4-140, G4-142, G4-144, G4-148	334290.....	G4-147, G4-151	334555.....	G4-139, G4-143, G4-151	334863.....	G4-140
334220.....	G4-132, G4-136, G4-140, G4-142, G4-144, G4-148	334291.....	G4-147, G4-151	334556.....	G4-139, G4-143, G4-151	334895.....	G4-146, G4-150
334221.....	G4-134, G4-138, G4-141, G4-143, G4-146, G4-150	334292.....	G4-147	334557.....	G4-134, G4-138	334896.....	G4-135, G4-139
334222.....	G4-134, G4-138, G4-141, G4-143, G4-146, G4-150	334300.....	G4-140, G4-142, G4-144, G4-148	334558.....	G4-134, G4-138	334897.....	G4-149
334223.....	G4-134, G4-138, G4-141, G4-143, G4-146, G4-150	334301.....	G4-132, G4-136	334559.....	G4-134, G4-138	334900.....	G4-147, G4-151
334224.....	G4-134, G4-138, G4-141, G4-143, G4-146, G4-150	334302.....	G4-134, G4-138, G4-141, G4-143, G4-146, G4-150	334560.....	G4-134, G4-138	334901.....	G4-147, G4-151
334225.....	G4-134, G4-138, G4-141, G4-143, G4-146, G4-150	334303.....	G4-140, G4-141, G4-142, G4-143, G4-144, G4-146, G4-148, G4-150	334561.....	G4-141, G4-143, G4-146, G4-150	334902.....	G4-147, G4-151
		334304.....	G4-144, G4-148	334563.....	G4-139, G4-143, G4-151	335330.....	G4-135, G4-136, G4-142, G4-146, G4-148
		334305.....	G4-132, G4-134, G4-136, G4-138, G4-140, G4-141, G4-142, G4-143, G4-144, G4-146, G4-148, G4-150	334564.....	G4-134, G4-138, G4-141, G4-143, G4-146, G4-150	335331.....	G4-135, G4-136, G4-141, G4-142, G4-146, G4-148
		334306.....	G4-145, G4-149	334565.....	G4-134, G4-141, G4-146	335332.....	G4-138, G4-143, G4-150
				334566.....	G4-138, G4-143, G4-150	335333.....	G4-138, G4-143, G4-150
				334570.....	G4-135, G4-138, G4-146, G4-150	335334.....	G4-138, G4-143, G4-150
				334571.....	G4-146, G4-150	335335.....	G4-138, G4-143, G4-150
				334576.....	G4-134, G4-141, G4-146	335336.....	G4-135, G4-141, G4-146
				334577.....	G4-138, G4-143, G4-150	335337.....	G4-132, G4-140, G4-144
				334580.....	G4-134, G4-141, G4-146		

PART NUMBER INDEX



Part Number	Page	Part Number	Page	Part Number	Page	Part Number	Page
335338	G4-134, G4-137, G4-141, G4-142, G4-146, G4-148	351069	G2-93, G2-95	352192	G2-150	356241	G2-125
335339	G4-137, G4-142, G4-148	351086	G2-92, G2-94, G2-150, G2-152	352218	G2-98	356242	G2-125
335340	G4-134, G4-137, G4-141, G4-142, G4-146, G4-148	351094	G2-92, G2-94, G2-150, G2-152	353047	G2-100, G2-102, G2-150, G2-152	356256	G2-116
335341	G4-139, G4-143, G4-150	351095	G2-92, G2-94, G2-150, G2-152	353069	G2-101, G2-103	356257	G2-116
335342	G4-139, G4-143, G4-150	351096	G2-92, G2-94, G2-150, G2-152	353070	G2-101, G2-103	356269	G2-117, G2-119
335343	G4-139, G4-143, G4-150	351097	G2-92, G2-94, G2-150, G2-152	353180	G2-124	356275	G2-125
335344	G4-134, G4-141, G4-146	351147	G2-123	353181	G2-124, G2-159	356276	G2-125, G2-159
335600	G4-132, G4-136, G4-140, G4-142, G4-144, G4-148, G4-149	351148	G2-123	353182	G2-124, G2-159	356277	G2-125
335601	G4-132, G4-136, G4-140, G4-142, G4-144, G4-148, G4-149	351149	G2-123	353183	G2-124	356281	G2-125
335602	G4-134, G4-138, G4-141, G4-143, G4-146, G4-150	351150	G2-123	354028	G2-105, G2-107	356282	G2-125
335603	G4-132, G4-136, G4-140, G4-142, G4-144, G4-148, G4-149	351163	G2-92	354069	G2-105, G2-107	356283	G2-125, G2-159
335604	G4-134, G4-138, G4-141, G4-143, G4-146, G4-150	351164	G2-92	354121	G2-104, G2-106, G2-150, G2-152	356285	G2-114
335605	G4-133, G4-145	351165	G2-94	354351	G2-124	356291	G2-150
335606	G4-133, G4-140, G4-145	351190	G2-152	354352	G2-124, G2-159	356292	G2-150
335607	G4-135, G4-141, G4-147	351191	G2-150	354353	G2-124, G2-159	356295	G2-118
335608	G4-133, G4-135, G4-140, G4-141, G4-145, G4-147	351192	G2-150	354354	G2-124, G2-159	356296	G2-150
335609	G4-134, G4-138, G4-141, G4-143, G4-146, G4-150	351300	G2-123	354355	G2-124	356297	G2-150
335610	G4-134, G4-138, G4-141, G4-143, G4-146, G4-150	351301	G2-123	355072	G2-108, G2-110, G2-150, G2-152	356301	G2-93, G2-95, G2-159
335611	G4-135, G4-141, G4-147	351302	G2-123	355168	G2-109, G2-111	356302	G2-97, G2-99, G2-159
335612	G4-135, G4-141, G4-147	351303	G2-123	355169	G2-109, G2-111	356303	G2-101, G2-103, G2-159
335613	G4-134, G4-138, G4-141, G4-143, G4-146, G4-150	351305	G2-123	355175	G2-108, G2-110, G2-150, G2-152	356304	G2-105, G2-107, G2-159
335614	G4-135, G4-141, G4-147	351306	G2-123	355176	G2-108, G2-110, G2-150, G2-152	356305	G2-109, G2-111, G2-159
351025	G2-123, G2-159	351307	G2-123	355177	G2-108, G2-110, G2-150, G2-152	356306	G2-113, G2-115, G2-117, G2-119, G2-159
351026	G2-123, G2-159	351308	G2-123	355178	G2-108, G2-110, G2-150, G2-152	35A05H14	G4-66
351027	G2-123	351327	G2-125	355225	G2-124	35A05H18	G4-66
351028	G2-123	351328	G2-125	355226	G2-124, G2-159	35A05H21	G4-66
		351329	G2-125	355227	G2-124, G2-159	35A05L14	G4-66
		351332	G2-125	355228	G2-124	35A05L18	G4-66
		351333	G2-125	356014	G2-125	35A05L21	G4-66
		351334	G2-125	356015	G2-125	35A05LR14	G4-66
		352052	G2-96, G2-98, G2-150, G2-152	356016	G2-125	35A05LR18	G4-66
		352065	G2-96	356042	G2-112, G2-114, G2-150	35A05LR21	G4-66
		352066	G2-96	356043	G2-112, G2-114, G2-150	35A05R14	G4-66
		352069	G2-97, G2-99	356044	G2-112, G2-114, G2-150	35A05R18	G4-66
		352090	G2-96, G2-98, G2-150, G2-152	356055	G2-112, G2-114, G2-150	35A05R21	G4-66
		352091	G2-96, G2-98, G2-150, G2-152	356057	G2-112	35A07H14	G4-66
		352092	G2-96, G2-98, G2-150, G2-152	356058	G2-112	35A07H18	G4-66
		352093	G2-96, G2-98, G2-150, G2-152	356059	G2-112	35A07H21	G4-66
		352160	G2-123	356069	G2-113, G2-115	35A07L14	G4-66
		352161	G2-123	356182	G2-116, G2-118, G2-150	35A07L18	G4-66
		352162	G2-123	356183	G2-116, G2-118, G2-150	35A07L21	G4-66
		352163	G2-123	356184	G2-116, G2-118, G2-150	35A07LR14	G4-66
		352186	G2-123, G2-159	356187	G2-116, G2-118, G2-150	35A07LR18	G4-66
		352187	G2-123, G2-159	356240	G2-125	35A07LR21	G4-66
		352188	G2-123			35A07R14	G4-66
		352189	G2-123			35A07R18	G4-66
		352190	G2-123			35A07R21	G4-66
		352191	G2-150			35A10H14	G4-66
						35A10H18	G4-66
						35A10H21	G4-66
						35A10L14	G4-66

PART NUMBER INDEX



Part Number	Page	Part Number	Page	Part Number	Page	Part Number	Page
35A10L18	G4-66	35A40H56	G4-66	35AZ10LR21	G4-95	35AZ50R14	G4-95
35A10L21	G4-66	35A40L14	G4-66	35AZ10R14	G4-95	35AZ50R56	G4-95
35A10LR14	G4-66	35A40L18	G4-66	35AZ10R18	G4-95	35AZ60H14	G4-95
35A10LR18	G4-66	35A40L56	G4-66	35AZ10R21	G4-95	35AZ60H56	G4-95
35A10LR21	G4-66	35A40LR14	G4-66	35AZ15H14	G4-95	35AZ60L14	G4-95
35A10R14	G4-66	35A40LR18	G4-66	35AZ15H18	G4-95	35AZ60L56	G4-95
35A10R18	G4-66	35A40LR56	G4-66	35AZ15L14	G4-95	35AZ60LR14	G4-95
35A10R21	G4-66	35A40R14	G4-66	35AZ15L18	G4-95	35AZ60LR56	G4-95
35A12H14	G4-66	35A40R18	G4-66	35AZ15LR14	G4-95	35AZ60R14	G4-95
35A12H18	G4-66	35A40R56	G4-66	35AZ15LR18	G4-95	35AZ60R56	G4-95
35A12H21	G4-66	35A50H14	G4-66	35AZ15R14	G4-95	35BASE	G4-62, G4-112
35A12L14	G4-66	35A50H56	G4-66	35AZ15R18	G4-95	35BRACKET	G4-123
35A12L18	G4-66	35A50L14	G4-66	35AZ20H14	G4-95	35CLSDCOVER	G4-128
35A12L21	G4-66	35A50L56	G4-66	35AZ20H18	G4-95	35JMOUNT	G4-113
35A12LR14	G4-66	35A50LR14	G4-66	35AZ20L14	G4-95	35MTR14	G4-64, G4-111
35A12LR18	G4-66	35A50LR56	G4-66	35AZ20L18	G4-95	35MTR18	G4-64, G4-111
35A12LR21	G4-66	35A50R14	G4-66	35AZ20LR14	G4-95	35MTR21	G4-64, G4-111
35A12R14	G4-66	35A50R56	G4-66	35AZ20LR18	G4-95	35MTR56	G4-64, G4-111
35A12R18	G4-66	35A60H14	G4-66	35AZ20R14	G4-95	35OPENCOVER	G4-128
35A12R21	G4-66	35A60H56	G4-66	35AZ20R18	G4-95	35PLUGIN	G4-124
35A15H14	G4-66	35A60L14	G4-66	35AZ25H14	G4-95	35Q05H14	G4-62
35A15H18	G4-66	35A60L56	G4-66	35AZ25H18	G4-95	35Q05H18	G4-62
35A15L14	G4-66	35A60LR14	G4-66	35AZ25L14	G4-95	35Q05H21	G4-62
35A15L18	G4-66	35A60LR56	G4-66	35AZ25L18	G4-95	35Q05L14	G4-62
35A15LR14	G4-66	35A60R14	G4-66	35AZ25LR14	G4-95	35Q05L18	G4-62
35A15LR18	G4-66	35A60R56	G4-66	35AZ25LR18	G4-95	35Q05L21	G4-62
35A15R14	G4-66	35AZ05H14	G4-95	35AZ25R14	G4-95	35Q05LR14	G4-62
35A15R18	G4-66	35AZ05H18	G4-95	35AZ25R18	G4-95	35Q05LR18	G4-62
35A20H14	G4-66	35AZ05H21	G4-95	35AZ30H14	G4-95	35Q05LR21	G4-62
35A20H18	G4-66	35AZ05L14	G4-95	35AZ30H18	G4-95	35Q05R14	G4-62
35A20L14	G4-66	35AZ05L18	G4-95	35AZ30H56	G4-95	35Q05R18	G4-62
35A20L18	G4-66	35AZ05L21	G4-95	35AZ30L14	G4-95	35Q05R21	G4-62
35A20LR14	G4-66	35AZ05LR14	G4-95	35AZ30L18	G4-95	35Q07H14	G4-62
35A20LR18	G4-66	35AZ05LR18	G4-95	35AZ30L56	G4-95	35Q07H18	G4-62
35A20R14	G4-66	35AZ05LR21	G4-95	35AZ30LR14	G4-95	35Q07H21	G4-62
35A20R18	G4-66	35AZ05R14	G4-95	35AZ30LR18	G4-95	35Q07L14	G4-62
35A25H14	G4-66	35AZ05R18	G4-95	35AZ30LR56	G4-95	35Q07L18	G4-62
35A25H18	G4-66	35AZ05R21	G4-95	35AZ30R14	G4-95	35Q07L21	G4-62
35A25L14	G4-66	35AZ07H14	G4-95	35AZ30R18	G4-95	35Q07LR14	G4-62
35A25L18	G4-66	35AZ07H18	G4-95	35AZ30R56	G4-95	35Q07LR18	G4-62
35A25LR14	G4-66	35AZ07H21	G4-95	35AZ40H14	G4-95	35Q07LR21	G4-62
35A25LR18	G4-66	35AZ07L14	G4-95	35AZ40H18	G4-95	35Q07R14	G4-62
35A25R14	G4-66	35AZ07L18	G4-95	35AZ40H56	G4-95	35Q07R18	G4-62
35A25R18	G4-66	35AZ07L21	G4-95	35AZ40L14	G4-95	35Q07R21	G4-62
35A30H14	G4-66	35AZ07LR14	G4-95	35AZ40L18	G4-95	35Q10H14	G4-62
35A30H18	G4-66	35AZ07LR18	G4-95	35AZ40L56	G4-95	35Q10H18	G4-62
35A30H56	G4-66	35AZ07LR21	G4-95	35AZ40LR14	G4-95	35Q10H21	G4-62
35A30L14	G4-66	35AZ07R14	G4-95	35AZ40LR18	G4-95	35Q10L14	G4-62
35A30L18	G4-66	35AZ07R18	G4-95	35AZ40LR56	G4-95	35Q10L18	G4-62
35A30L56	G4-66	35AZ07R21	G4-95	35AZ40R14	G4-95	35Q10L21	G4-62
35A30LR14	G4-66	35AZ10H14	G4-95	35AZ40R18	G4-95	35Q10LR14	G4-62
35A30LR18	G4-66	35AZ10H18	G4-95	35AZ40R56	G4-95	35Q10LR18	G4-62
35A30LR56	G4-66	35AZ10H21	G4-95	35AZ50H14	G4-95	35Q10LR21	G4-62
35A30R14	G4-66	35AZ10L14	G4-95	35AZ50H56	G4-95	35Q10R14	G4-62
35A30R18	G4-66	35AZ10L18	G4-95	35AZ50L14	G4-95	35Q10R18	G4-62
35A30R56	G4-66	35AZ10L21	G4-95	35AZ50L56	G4-95	35Q10R21	G4-62
35A40H14	G4-66	35AZ10LR14	G4-95	35AZ50LR14	G4-95	35Q12H14	G4-62
35A40H18	G4-66	35AZ10LR18	G4-95	35AZ50LR56	G4-95	35Q12H18	G4-62

PART NUMBER INDEX



Part Number	Page	Part Number	Page	Part Number	Page	Part Number	Page
35Q12H21	G4-62	35Q30R14	G4-62, G4-108	35QZ07H14	G4-94	35QZ30R18	G4-94
35Q12L14	G4-62			35QZ07H18	G4-94	35QZ30R56	G4-94
35Q12L18	G4-62	35Q30R18	G4-62	35QZ07H21	G4-94	35QZ40H14	G4-94
35Q12L21	G4-62	35Q30R56	G4-62	35QZ07L14	G4-94	35QZ40H18	G4-94
35Q12LR14	G4-62	35Q40H14	G4-62, G4-108, G4-109	35QZ07L18	G4-94	35QZ40H56	G4-94
35Q12LR18	G4-62			35QZ07L21	G4-94	35QZ40L14	G4-94
35Q12LR21	G4-62	35Q40H18	G4-62	35QZ07LR14	G4-94	35QZ40L18	G4-94
35Q12R14	G4-62	35Q40H56	G4-62	35QZ07LR18	G4-94	35QZ40L56	G4-94
35Q12R18	G4-62	35Q40L14	G4-62, G4-108, G4-109	35QZ07LR21	G4-94	35QZ40LR14	G4-94
35Q12R21	G4-62			35QZ07R14	G4-94	35QZ40LR18	G4-94
35Q15H14	G4-62, G4-108	35Q40L18	G4-62	35QZ07R18	G4-94	35QZ40LR56	G4-94
		35Q40L56	G4-62	35QZ07R21	G4-94	35QZ40R14	G4-94
35Q15H18	G4-62	35Q40LR14	G4-62, G4-108, G4-109	35QZ10H14	G4-94	35QZ40R18	G4-94
35Q15L14	G4-62, G4-108			35QZ10H18	G4-94	35QZ40R56	G4-94
		35Q40LR18	G4-62	35QZ10H21	G4-94	35QZ50H14	G4-94
35Q15L18	G4-62	35Q40LR56	G4-62	35QZ10L14	G4-94	35QZ50H56	G4-94
35Q15LR14	G4-62, G4-108			35QZ10L18	G4-94	35QZ50L14	G4-94
		35Q40R14	G4-62, G4-108, G4-109	35QZ10L21	G4-94	35QZ50L56	G4-94
35Q15LR18	G4-62			35QZ10LR14	G4-94	35QZ50LR14	G4-94
35Q15R14	G4-62, G4-108	35Q40R18	G4-62	35QZ10LR18	G4-94	35QZ50LR56	G4-94
		35Q40R56	G4-62	35QZ10LR21	G4-94	35QZ50R14	G4-94
35Q15R18	G4-62	35Q50H14	G4-62, G4-109	35QZ10R14	G4-94	35QZ50R56	G4-94
35Q20H14	G4-62, G4-108			35QZ10R18	G4-94	35QZ60H14	G4-94
		35Q50H56	G4-62	35QZ10R21	G4-94	35QZ60H56	G4-94
35Q20H18	G4-62	35Q50L14	G4-62, G4-109	35QZ15H14	G4-94	35QZ60L14	G4-94
35Q20L14	G4-62, G4-108	35Q50L56	G4-62	35QZ15H18	G4-94	35QZ60L56	G4-94
		35Q50LR14	G4-62, G4-109	35QZ15L14	G4-94	35QZ60LR14	G4-94
35Q20L18	G4-62	35Q50LR56	G4-62	35QZ15L18	G4-94	35QZ60LR56	G4-94
35Q20LR14	G4-62, G4-108	35Q50R14	G4-62, G4-109	35QZ15LR14	G4-94	35QZ60R14	G4-94
		35Q50R56	G4-62	35QZ15LR18	G4-94	35QZ60R56	G4-94
35Q20LR18	G4-62	35Q60H14	G4-62, G4-109	35QZ15R14	G4-94	35RISER	G4-114
35Q20R14	G4-62, G4-108			35QZ15R18	G4-94	35S05H	G4-64
		35Q60H56	G4-62, G4-109	35QZ20H14	G4-94	35S05L	G4-64
35Q20R18	G4-62			35QZ20H18	G4-94	35S05LR	G4-64
35Q25H14	G4-62, G4-108	35Q60L14	G4-62, G4-109	35QZ20L14	G4-94	35S05R	G4-64
				35QZ20L18	G4-94	35S07H	G4-64
35Q25H18	G4-62	35Q60L56	G4-62, G4-109	35QZ20LR14	G4-94	35S07L	G4-64
35Q25L14	G4-62, G4-108			35QZ20LR18	G4-94	35S07LR	G4-64
		35Q60LR14	G4-62, G4-109	35QZ20R14	G4-94	35S07R	G4-64
35Q25L18	G4-62			35QZ20R18	G4-94	35S10H	G4-64
35Q25LR14	G4-62, G4-108	35Q60LR56	G4-62, G4-109	35QZ25H14	G4-94	35S10L	G4-64
				35QZ25H18	G4-94	35S10LR	G4-64
35Q25LR18	G4-62	35Q60R14	G4-62, G4-109	35QZ25L14	G4-94	35S10R	G4-64
35Q25R14	G4-62, G4-108			35QZ25L18	G4-94	35S12H	G4-64
		35Q60R56	G4-62, G4-109	35QZ25LR14	G4-94	35S12L	G4-64
35Q25R18	G4-62			35QZ25LR18	G4-94	35S12LR	G4-64
35Q30H14	G4-62, G4-108	35QZ05H14	G4-94	35QZ25R14	G4-94	35S12R	G4-64
		35QZ05H18	G4-94	35QZ25R18	G4-94	35S15H	G4-64
35Q30H18	G4-62	35QZ05H21	G4-94	35QZ30H14	G4-94	35S15L	G4-64
35Q30H56	G4-62	35QZ05L14	G4-94	35QZ30H18	G4-94	35S15LR	G4-64
35Q30L14	G4-62, G4-108	35QZ05L18	G4-94	35QZ30H56	G4-94	35S15R	G4-64
		35QZ05L21	G4-94	35QZ30L14	G4-94	35S20H	G4-64
35Q30L18	G4-62	35QZ05LR14	G4-94	35QZ30L18	G4-94	35S20L	G4-64
35Q30L56	G4-62	35QZ05LR18	G4-94	35QZ30L56	G4-94	35S20LR	G4-64
35Q30LR14	G4-62, G4-108	35QZ05LR21	G4-94	35QZ30LR14	G4-94	35S20R	G4-64
		35QZ05R14	G4-94	35QZ30LR18	G4-94	35S25H	G4-64
35Q30LR18	G4-62	35QZ05R18	G4-94	35QZ30LR56	G4-94	35S25L	G4-64
35Q30LR56	G4-62	35QZ05R21	G4-94	35QZ30R14	G4-94	35S25LR	G4-64

PART NUMBER INDEX



Part Number	Page	Part Number	Page	Part Number	Page	Part Number	Page
35S25R	G4-64	392304	G2-169	40A07H21	G4-72	40A60R14	G4-72
35S30H	G4-64	392305	G2-169	40A07H25	G4-72	40A60R18	G4-72
35S30L	G4-64	392306	G2-169	40A07L21	G4-72	40BASE	G4-68, G4-70, G4-112
35S30LR	G4-64	392307	G2-169	40A07L25	G4-72	40CLSDCOVER	G4-128
35S30R	G4-64	392308	G2-169	40A07LR21	G4-72	40JMOUNT	G4-113
35S40H	G4-64	392309	G2-169	40A07LR25	G4-72	40OPENCOVER	G4-128
35S40L	G4-64	392310	G2-169	40A07R21	G4-72	40PLUGIN	G4-124
35S40LR	G4-64	392311	G2-169	40A07R25	G4-72	40Q05H21	G4-68
35S40R	G4-64	392312	G2-169	40A10H21	G4-72	40Q05H25	G4-68
35S50H	G4-64	392313	G2-169	40A10L21	G4-72	40Q05L21	G4-68
35S50L	G4-64	392314	G2-169	40A10LR21	G4-72	40Q05L25	G4-68
35S50LR	G4-64	392315	G2-169	40A10R21	G4-72	40Q05LR21	G4-68
35S50R	G4-64	392316	G2-169	40A15H18	G4-72	40Q05LR25	G4-68
35S60H	G4-64	392379	G2-170	40A15H21	G4-72	40Q05R21	G4-68
35S60L	G4-64	392380	G2-170	40A15L18	G4-72	40Q05R25	G4-68
35S60LR	G4-64	392381	G2-170	40A15L21	G4-72	40Q07H21	G4-68
35S60R	G4-64	392382	G2-170	40A15LR18	G4-72	40Q07H25	G4-68
35SBASE	G4-112	392383	G2-170	40A15LR21	G4-72	40Q07L21	G4-68
35SHAFTREV	G4-127	392384	G2-170	40A15R18	G4-72	40Q07L25	G4-68
35TIEROD	G4-115	392385	G2-170	40A15R21	G4-72	40Q07LR21	G4-68
35ZBASE	G4-112	392386	G2-170	40A20H18	G4-72	40Q07LR25	G4-68
35ZBRACKET	G4-123	392387	G2-170	40A20H21	G4-72	40Q07R21	G4-68
35ZJMOUNT	G4-113	392388	G2-170	40A20L18	G4-72	40Q07R25	G4-68
35ZRISER	G4-114	392389	G2-170	40A20L21	G4-72	40Q10H21	G4-68
392270	G2-169	392390	G2-170	40A20LR18	G4-72	40Q10L21	G4-68
392271	G2-169	392391	G2-170	40A20LR21	G4-72	40Q10LR21	G4-68
392272	G2-169	392392	G2-170	40A20R18	G4-72	40Q10R21	G4-68
392273	G2-169	392393	G2-170	40A20R21	G4-72	40Q15H18	G4-68
392274	G2-169	392394	G2-170	40A25H18	G4-72	40Q15H21	G4-68
392275	G2-169	392395	G2-170	40A25L18	G4-72	40Q15L18	G4-68
392276	G2-169	392396	G2-170	40A25LR18	G4-72	40Q15L21	G4-68
392277	G2-169	392397	G2-170	40A25R18	G4-72	40Q15LR18	G4-68
392278	G2-169, G2-170	392398	G2-170	40A30H18	G4-72	40Q15LR21	G4-68
392279	G2-169, G2-170	392399	G2-170	40A30L18	G4-72	40Q15R18	G4-68
392280	G2-169, G2-170	392400	G2-170	40A30LR18	G4-72	40Q15R21	G4-68
392281	G2-169, G2-170	392401	G2-170	40A30R18	G4-72	40Q20H18	G4-68
392282	G2-169, G2-170	392402	G2-170	40A40H14	G4-72	40Q20H21	G4-68
392283	G2-169, G2-170	392403	G2-170	40A40H18	G4-72	40Q20L18	G4-68
392284	G2-169, G2-170	392404	G2-170	40A40L14	G4-72	40Q20L21	G4-68
392285	G2-169, G2-170	392405	G2-170	40A40L18	G4-72	40Q20LR18	G4-68
392286	G2-169	400140	G4-137,	40A40LR14	G4-72	40Q20LR21	G4-68
392287	G2-169, G2-170		G4-139, G4-142,	40A40LR18	G4-72	40Q20R18	G4-68
392288	G2-169, G2-170		G4-143, G4-149, G4-151	40A40R14	G4-72	40Q20R21	G4-68
392289	G2-169, G2-170	4047MTR14	G4-70, G4-111	40A40R18	G4-72	40Q25H14	G4-108
392290	G2-169, G2-170	4047MTR18	G4-70,	40A50H14	G4-72	40Q25H18	G4-68
392291	G2-169, G2-170		G4-76, G4-111	40A50H18	G4-72	40Q25L18	G4-68
392292	G2-169, G2-170	4047MTR21	G4-70,	40A50L14	G4-72	40Q25LR18	G4-68
392293	G2-169, G2-170		G4-76, G4-111	40A50L18	G4-72	40Q25R18	G4-68
392294	G2-169, G2-170	4047MTR25	G4-70,	40A50LR14	G4-72	40Q30H14	G4-108
392295	G2-169, G2-170		G4-76, G4-111	40A50LR18	G4-72	40Q30H18	G4-68
392296	G2-169, G2-170	40A05H21	G4-72	40A50R14	G4-72	40Q30L18	G4-68
392297	G2-169, G2-170	40A05H25	G4-72	40A50R18	G4-72	40Q30LR18	G4-68
392298	G2-169, G2-170	40A05L21	G4-72	40A60H14	G4-72	40Q30R18	G4-68
392299	G2-169	40A05L25	G4-72	40A60H18	G4-72	40Q40H14	G4-68, G4-108
392300	G2-169	40A05LR21	G4-72	40A60L14	G4-72	40Q40H18	G4-68
392301	G2-169	40A05LR25	G4-72	40A60L18	G4-72	40Q40L14	G4-68
392302	G2-169	40A05R21	G4-72	40A60LR14	G4-72		
392303	G2-169	40A05R25	G4-72	40A60LR18	G4-72		

PART NUMBER INDEX



Part Number	Page	Part Number	Page	Part Number	Page	Part Number	Page
40Q40L18	G4-68	40S40H	G4-70	411637-02-AC	G4-135, G4-139, G4-141, G4-143, G4-146, G4-150	430048	G3-51
40Q40LR14	G4-68	40S40L	G4-70			430049	G2-79, G2-47, G2-49, G2-51, G2-53, G2-55, G2-57, G2-59, G2-61, G2-63, G2-65, G2-67, G2-68, G2-70, G2-71, G2-159
40Q40LR18	G4-68	40S40LR	G4-70	411637-02-AP	G4-135, G4-139, G4-141, G4-143, G4-146, G4-150		
40Q40R14	G4-68	40S40R	G4-70			430049	G1-65, G1-73, G1-81, G1-89, G1-97, G1-103, G1-107, G1-111, G1-120
40Q40R18	G4-68	40S50H	G4-70	411637-02-AR	G4-135, G4-139, G4-141, G4-143, G4-146, G4-150		
40Q50H14	G4-68, G4-109	40S50L	G4-70			430049	G3-51
40Q50H18	G4-68	40S50LR	G4-70	411637-02-AV	G4-133, G4-137, G4-142, G4-144, G4-148	430049	G2-159
40Q50L14	G4-68, G4-109	40S50R	G4-70			430120	G2-159
40Q50L18	G4-68	40S60H	G4-70	411637-02-AY	G4-133, G4-137, G4-140, G4-142, G4-144, G4-148	430121	G2-159
40Q50LR14	G4-68, G4-109	40S60L	G4-70			430159	G2-159
40Q50LR18	G4-68	40S60LR	G4-70	411637-02-BA	G4-135, G4-139, G4-141, G4-143, G4-146, G4-150	444049	G2-153
40Q50R14	G4-68, G4-109	40S60R	G4-70			444050	G2-153
40Q50R18	G4-68	40SHAFTREV	G4-127	411637-02-E	G4-133, G4-137, G4-140, G4-142, G4-144, G4-148	444055	G2-153
40Q60H14	G4-68, G4-109	40SPACER	G4-112			444056	G2-153
40Q60H18	G4-68	40TBUSH108	G4-117	411637-02-N	G4-133, G4-137, G4-140, G4-142, G4-144, G4-148	47A05H25	G4-78
40Q60L14	G4-68, G4-109	40TBUSH111	G4-117			47A05L25	G4-78
40Q60L18	G4-68	40TIEROD	G4-115	411642	G4-144	47A05LR25	G4-78
40Q60LR14	G4-68, G4-109	411396	G4-139, G4-143, G4-151	411642-42-E	G4-133	47A05R25	G4-78
40Q60LR18	G4-68	411402	G4-139, G4-143, G4-151	411642-46-E	G4-140, G4-144	47A07H25	G4-78
40Q60R14	G4-68, G4-109	411405	G4-133, G4-137, G4-140, G4-142, G4-145, G4-149	411647	G4-140	47A07LR25	G4-78
40Q60R18	G4-68	411483	G4-135, G4-139, G4-141, G4-143, G4-147, G4-151	411647-34-B	G4-133, G4-135, G4-137, G4-139, G4-140, G4-141, G4-142, G4-143, G4-145, G4-147, G4-149, G4-151	47A07R25	G4-78
40RISER	G4-114					47A10H21	G4-78
40S05H	G4-70	411623	G4-142, G4-144	411709	G4-144	47A10H25	G4-78
40S05L	G4-70	411623-33-A	G4-133, G4-140, G4-144	411709-65-H	G4-144, G4-146	47A10L21	G4-78
40S05LR	G4-70	411623-33-B	G4-133, G4-135, G4-136, G4-140, G4-142, G4-146, G4-148	411709-65-Q	G4-148, G4-150	47A10L25	G4-78
40S05R	G4-70			417111	G4-144, G4-146, G4-148, G4-150	47A10LR21	G4-78
40S07H	G4-70	411626-01-A	G4-132, G4-134, G4-137, G4-140, G4-141, G4-142, G4-144, G4-146, G4-148	417371	G4-144, G4-148	47A10LR25	G4-78
40S07L	G4-70			419007	G4-137, G4-140, G4-142, G4-145, G4-149	47A10R21	G4-78
40S07LR	G4-70	411626-01-BJ	G4-139, G4-143	419009	G4-133, G4-137, G4-139, G4-140, G4-141, G4-142, G4-143, G4-145, G4-147, G4-149, G4-151	47A10R25	G4-78
40S07R	G4-70	411626-01-C	G4-132, G4-140, G4-144	419010	G4-132, G4-133, G4-136, G4-137, G4-140, G4-142, G4-144, G4-145, G4-148, G4-149	47A15H21	G4-78
40S10H	G4-70	411626-01-R	G4-134, G4-141, G4-146			47A15L21	G4-78
40S10L	G4-70			419036	G4-135, G4-139, G4-141, G4-143, G4-147, G4-151	47A15LR21	G4-78
40S10LR	G4-70	41162601BJ	G4-150			47A15R21	G4-78
40S10R	G4-70	411631-58-X	G4-135, G4-139, G4-151	430048	G2-31, G2-33, G2-35, G2-37, G2-39, G2-41, G2-43, G2-45, G2-79, G2-159	47A20H21	G4-78
40S15H	G4-70					47A20L21	G4-78
40S15L	G4-70	411631-63-A	G4-135, G4-137, G4-139, G4-145			47A20LR21	G4-78
40S15LR	G4-70	41163158X	G4-133, G4-147, G4-149, G4-151			47A20R21	G4-78
40S15R	G4-70					47A25H18	G4-78
40S20H	G4-70	411637	G4-142, G4-144			47A25H21	G4-78
40S20L	G4-70	411637-01-A	G4-133, G4-137, G4-140, G4-142, G4-148			47A25L18	G4-78
40S20LR	G4-70					47A25L21	G4-78
40S20R	G4-70					47A25LR18	G4-78
40S25H	G4-70					47A25LR21	G4-78
40S25L	G4-70					47A25R18	G4-78
40S25LR	G4-70					47A25R21	G4-78
40S25R	G4-70					47A30H18	G4-78
40S30H	G4-70					47A30L18	G4-78
40S30L	G4-70					47A30LR18	G4-78
40S30LR	G4-70					47A30R18	G4-78
40S30R	G4-70					47A40H18	G4-78
						47A40L18	G4-78

PART NUMBER INDEX



Part Number	Page	Part Number	Page	Part Number	Page	Part Number	Page
47A40LR18	G4-78	47Q60H18	G4-74	51335	G4-135,	900126	G1-125
47A40R18	G4-78	47Q60L18	G4-74		G4-139, G4-141,	900128	G1-125
47A50H18	G4-78	47Q60LR18	G4-74		G4-143, G4-146, G4-150	900129	G1-125
47A50L18	G4-78	47Q60R18	G4-74	51492	G4-132,	900135	G1-125
47A50LR18	G4-78	47RISER	G4-114		G4-133, G4-134,	9001355	G1-126
47A50R18	G4-78	47S05H	G4-76		G4-136, G4-137, G4-138	900136	G1-125
47A60H18	G4-78	47S05L	G4-76	51929	G4-133,	90013615	G1-126
47A60L18	G4-78	47S05LR	G4-76		G4-135, G4-137,	90013625	G1-126
47A60LR18	G4-78	47S05R	G4-76		G4-139, G4-140, G4-141,	90013640	G1-126
47A60R18	G4-78	47S07H	G4-76		G4-142, G4-143, G4-145,	9001369	G1-126
47BASE	G4-74,	47S07L	G4-76		G4-147, G4-149, G4-151	900180	G1-125
	G4-78, G4-112	47S07LR	G4-76	51952	G4-134,	900249	G1-33, G1-119
47JMOUNT	G4-113	47S07R	G4-76		G4-135, G4-139, G4-141,	901000	G1-41
47PLUGIN	G4-124	47S10H	G4-76		G4-143, G4-147, G4-151	901001	G1-41
47Q05H25	G4-74	47S10L	G4-76	58256	G4-133,	901002	G1-41
47Q05L25	G4-74	47S10LR	G4-76		G4-137, G4-140,	901003	G1-41
47Q05LR25	G4-74	47S10R	G4-76		G4-142, G4-144, G4-148	901004	G1-41
47Q05R25	G4-74	47S15H	G4-76	58270	G4-137,	901020	G1-41
47Q07H25	G4-74	47S15L	G4-76		G4-142, G4-149	901021	G1-41
47Q07L25	G4-74	47S15LR	G4-76	6-030657	G2-159	901022	G1-41
47Q07LR25	G4-74	47S15R	G4-76	602028-43-F	G4-133,	901023	G1-41
47Q07R25	G4-74	47S20H	G4-76		G4-135,	901024	G1-41
47Q10H21	G4-74	47S20L	G4-76		G4-137, G4-139, G4-144,	901025	G1-41
47Q10H25	G4-74	47S20LR	G4-76		G4-146, G4-148, G4-150	901026	G1-41
47Q10L21	G4-74	47S20R	G4-76	900000	G1-33	901027	G1-41
47Q10L25	G4-74	47S25H	G4-76	900001	G1-33	901028	G1-41
47Q10LR21	G4-74	47S25L	G4-76	900002	G1-33	901030	G1-41
47Q10LR25	G4-74	47S25LR	G4-76	900003	G1-33	901031	G1-41
47Q10R21	G4-74	47S25R	G4-76	900004	G1-33	901032	G1-41
47Q10R25	G4-74	47S30H	G4-76	900020	G1-33	901033	G1-41
47Q15H21	G4-74	47S30L	G4-76	900021	G1-33	901034	G1-41
47Q15L21	G4-74	47S30LR	G4-76	900022	G1-33	901035	G1-41
47Q15LR21	G4-74	47S30R	G4-76	900023	G1-33	901036	G1-41
47Q15R21	G4-74	47S40H	G4-76	900024	G1-33	901037	G1-41
47Q20H21	G4-74	47S40L	G4-76	900025	G1-33	901070	G1-43
47Q20L21	G4-74	47S40LR	G4-76	900026	G1-33	901071	G1-43
47Q20LR21	G4-74	47S40R	G4-76	900027	G1-33	901072	G1-43
47Q20R21	G4-74	47S50H	G4-76	900028	G1-33	901073	G1-43
47Q25H18	G4-74	47S50L	G4-76	900029	G1-33	901074	G1-43
47Q25H21	G4-74	47S50LR	G4-76	900070	G1-35	901075	G1-43
47Q25L18	G4-74	47S50R	G4-76	900071	G1-35	901080	G1-43
47Q25L21	G4-74	47S60H	G4-76	900072	G1-35	901081	G1-43
47Q25LR18	G4-74	47S60L	G4-76	900073	G1-35	901082	G1-43
47Q25LR21	G4-74	47S60LR	G4-76	900074	G1-35	901083	G1-43
47Q25R18	G4-74	47S60R	G4-76	900075	G1-35	901090	G1-41
47Q25R21	G4-74	47SHAFTREV	G4-127	900080	G1-35	901096	G1-41
47Q30H18	G4-74	47TBUSH115	G4-117	900081	G1-35	901097	G1-41
47Q30L18	G4-74	47TBUSH203	G4-117	900082	G1-35	901099	G1-41
47Q30LR18	G4-74	47TIEROD	G4-115	900083	G1-35	901102	G1-33, G1-41
47Q30R18	G4-74	51302	G4-133,	900090	G1-33	901109	G1-41
47Q40H18	G4-74		G4-137, G4-139,	900096	G1-33	901114	G1-119
47Q40L18	G4-74		G4-140, G4-142, G4-143,	900097	G1-33	901115	G1-119
47Q40LR18	G4-74		G4-145, G4-149, G4-151	900099	G1-33	901126	G1-125
47Q40R18	G4-74	51334	G4-135,	900109	G1-33	901128	G1-125
47Q50H18	G4-74		4-139, G4-141,	900112	G1-33, G1-41,	901129	G1-125
47Q50L18	G4-74		G4-143, G4-146, G4-150		G1-49, G1-57	901130	G1-125
47Q50LR18	G4-74			900114	G1-119	901135	G1-125
47Q50R18	G4-74			900115	G1-119	9011355	G1-126

PART NUMBER INDEX



Part Number	Page	Part Number	Page	Part Number	Page	Part Number	Page
901136	G1-125	902128	G1-125	903114	G1-119	904084	G1-67
90113615	G1-126	902129	G1-125	903115	G1-119	904090	G1-65
9011369	G1-126	902130	G1-125	903126	G1-125	904096	G1-65
901137	G1-125	902135	G1-125	903127	G1-125	904097	G1-65
90113725	G1-126	9021355	G1-126	903128	G1-125	904099	G1-65
90113740	G1-126	902136	G1-125	903129	G1-125	904102	G1-65
901145	G1-121	90213615	G1-126	903130	G1-125	904103	G1-65
901146	G1-121	90213625	G1-126	903135	G1-125	904106	G1-65
901147	G1-121	9021369	G1-126	9031355	G1-126	904109	G1-65
901148	G1-121	902137	G1-125	903136	G1-125	904112	G1-65, G1-73, G1-81, G1-89, G1-97, G1-103, G1-107, G1-111
901149	G1-121	90213740	G1-126	90313615	G1-126	904114	G1-119
901180	G1-125	902180	G1-125	90313625	G1-126	904115	G1-119
901249	G1-41, G1-119	902249	G1-49, G1-119	9031369	G1-126	904126	G1-125
902000	G1-49	903000	G1-57	903137	G1-125	904128	G1-125
902001	G1-49	903001	G1-57	90313740	G1-126	904129	G1-125
902002	G1-49	903002	G1-57	903145	G1-121	904130	G1-125
902003	G1-49	903003	G1-57	903146	G1-121	904135	G1-125
902004	G1-49	903004	G1-57	903147	G1-121	9041355	G1-126
902020	G1-49	903020	G1-57	903148	G1-121	904136	G1-125
902022	G1-49	903021	G1-57	903149	G1-121	90413615	G1-126
902023	G1-49	903022	G1-57	903180	G1-125	90413625	G1-126
902024	G1-49	903023	G1-57	903249	G1-57, G1-119	9041369	G1-126
902025	G1-49	903024	G1-57	904000	G1-65	904137	G1-125
902026	G1-49	903025	G1-57	904001	G1-65	90413740	G1-126
902027	G1-49	903026	G1-57	904002	G1-65	904145	G1-121
902028	G1-49	903027	G1-57	904003	G1-65	904146	G1-121
902029	G1-49	903028	G1-57	904004	G1-65	904147	G1-121
902030	G1-49	903029	G1-57	904020	G1-65	904148	G1-121
902031	G1-49	903030	G1-57	904021	G1-65	904149	G1-121
902032	G1-49	903031	G1-57	904022	G1-65	904180	G1-125
902033	G1-49	903032	G1-57	904023	G1-65	904249	G1-65, G1-119
902034	G1-49	903033	G1-57	904024	G1-65	905000	G1-73
902035	G1-49	903034	G1-57	904025	G1-65	905001	G1-73
902036	G1-49	903035	G1-57	904026	G1-65	905002	G1-73
902037	G1-49	903036	G1-57	904027	G1-65	905003	G1-73
902038	G1-49	903037	G1-57	904028	G1-65	905004	G1-73
902060	G1-49	903038	G1-57	904029	G1-65	905020	G1-73
902061	G1-49	903039	G1-57	904030	G1-65	905021	G1-73
902070	G1-51	903060	G1-57	904031	G1-65	905022	G1-73
902071	G1-51	903061	G1-57	904032	G1-65	905023	G1-73
902072	G1-51	903070	G1-59	904033	G1-65	905024	G1-73
902073	G1-51	903071	G1-59	904034	G1-65	905025	G1-73
902074	G1-51	903072	G1-59	904035	G1-65	905026	G1-73
902075	G1-51	903073	G1-59	904036	G1-65	905027	G1-73
902080	G1-51	903074	G1-59	904037	G1-65	905028	G1-73
902081	G1-51	903075	G1-59	904038	G1-65	905029	G1-73
902082	G1-51	903076	G1-59	904039	G1-65	905030	G1-73
902083	G1-51	903080	G1-59	904040	G1-65	905031	G1-73
902090	G1-49	903081	G1-59	904041	G1-65	905032	G1-73
902096	G1-49	903082	G1-59	904070	G1-67	905033	G1-73
902097	G1-49	903083	G1-59	904071	G1-67	905034	G1-73
902099	G1-49	903084	G1-59	904073	G1-67	905035	G1-73
902102	G1-49	903090	G1-57	904074	G1-67	905036	G1-73
902109	G1-49	903096	G1-57	904075	G1-67	905037	G1-73
902114	G1-119	903097	G1-57	904076	G1-67	905038	G1-73
902115	G1-119	903099	G1-57	904081	G1-67	905039	G1-73
902126	G1-125	903102	G1-57	904082	G1-67		
902127	G1-125	903109	G1-57	904083	G1-67		

PART NUMBER INDEX



Part Number	Page	Part Number	Page	Part Number	Page	Part Number	Page
905040	.G1-73	906028	.G1-81	907022	.G1-89	908025	.G1-97
905041	.G1-73	906029	.G1-81	907023	.G1-89	908026	.G1-97
905042	.G1-73	906030	.G1-81	907024	.G1-89	908027	.G1-97
905043	.G1-73	906031	.G1-81	907025	.G1-89	908028	.G1-97
905070	.G1-75	906032	.G1-81	907026	.G1-89	908029	.G1-97
905071	.G1-75	906033	.G1-81	907027	.G1-89	908030	.G1-97
905073	.G1-75	906034	.G1-81	907028	.G1-89	908031	.G1-97
905074	.G1-75	906035	.G1-81	907029	.G1-89	908032	.G1-97
905075	.G1-75	906036	.G1-81	907030	.G1-89	908033	.G1-97
905076	.G1-75	906037	.G1-81	907031	.G1-89	908070	.G1-97
905081	.G1-75	906038	.G1-81	907032	.G1-89	908102	.G1-97
905082	.G1-75	906039	.G1-81	907033	.G1-89	908103	.G1-97
905083	.G1-75	906040	.G1-81	907034	.G1-89	908114	.G1-119
905084	.G1-75	906041	.G1-81	907035	.G1-89	908115	.G1-119
905090	.G1-73	906070	.G1-83	907036	.G1-89	908126	.G1-125
905096	.G1-73	906071	.G1-83	907037	.G1-89	908129	.G1-125
905097	.G1-73	906074	.G1-83	907038	.G1-89	908130	.G1-125
905099	.G1-73	906075	.G1-83	907039	.G1-89	908136	.G1-125
905102	.G1-73	906076	.G1-83	907070	.G1-91	90813615	.G1-126
905103	.G1-73	906082	.G1-83	907071	.G1-91	90813625	.G1-126
905106	.G1-73	906083	.G1-83	907074	.G1-91	908137	.G1-125
905109	.G1-73	906084	.G1-83	907075	.G1-91	90814740	.G1-126
905114	.G1-119	906090	.G1-81	907076	.G1-91	908180	.G1-125
905115	.G1-119	906096	.G1-81	907082	.G1-91	909000	.G1-103
905126	.G1-125	906097	.G1-81	907083	.G1-91	909001	.G1-103
905128	.G1-125	906099	.G1-81	907084	.G1-91	909002	.G1-103
905129	.G1-125	906102	.G1-81	907090	.G1-89, G1-97	909020	.G1-103
905130	.G1-125	906103	.G1-81	907096	.G1-89, G1-97	909021	.G1-103
905131	.G1-125	906106	.G1-81	907097	.G1-89, G1-97	909022	.G1-103
905135	.G1-125	906109	.G1-81	907099	.G1-89, G1-97	909023	.G1-103
9051355	.G1-126	906114	.G1-119	907102	.G1-89	909024	.G1-103
905136	.G1-125	906115	.G1-119	907103	.G1-89, G1-103	909025	.G1-103
90513615	.G1-126	906126	.G1-125	907106	.G1-89, G1-97	909026	.G1-103
9051369	.G1-126	906128	.G1-125	907109	.G1-89, G1-97	909027	.G1-103
905137	.G1-125	906129	.G1-125	907114	.G1-119	909028	.G1-103
90513725	.G1-126	906130	.G1-125	907115	.G1-119	909029	.G1-103
905138	.G1-125	906135	.G1-125	907126	.G1-125	909090	.G1-103
90513840	.G1-126	9061355	.G1-126	907128	.G1-125	909096	.G1-103
905145	.G1-121	906136	.G1-125	907129	.G1-125	909099	.G1-103
905146	.G1-121	90613615	.G1-126	907130	.G1-125	909102	.G1-103
905147	.G1-121	9061369	.G1-126	907135	.G1-125	909106	.G1-103
905148	.G1-121	906137	.G1-125	9071355	.G1-126	909109	.G1-103
905149	.G1-121	90613725	.G1-126	907136	.G1-125	909114	.G1-119
905180	.G1-125	90613740	.G1-126	90713615	.G1-126	909115	.G1-119
905249	.G1-73, G1-119	906145	.G1-121	90713625	.G1-126	909126	.G1-125
906000	.G1-81	906146	.G1-121	9071369	.G1-126	909129	.G1-125
906001	.G1-81	906147	.G1-121	907137	.G1-125	909130	.G1-125
906002	.G1-81	906148	.G1-121	90713740	.G1-126	909136	.G1-125
906003	.G1-81	906149	.G1-121	907180	.G1-125	90913615	.G1-126
906004	.G1-81	906180	.G1-125	907249	.G1-89, G1-97, G1-119	90913625	.G1-126
906020	.G1-81	906249	.G1-81, G1-119	908000	.G1-97	909137	.G1-125
906021	.G1-81	907000	.G1-89	908001	.G1-97	90913740	.G1-126
906022	.G1-81	907001	.G1-89	908002	.G1-97	909180	.G1-125
906023	.G1-81	907002	.G1-89	908020	.G1-97	909249	.G1-103, G1-119
906024	.G1-81	907003	.G1-89	908021	.G1-97	910000	.G1-107
906025	.G1-81	907004	.G1-89	908022	.G1-97	910001	.G1-107
906026	.G1-81	907019	.G1-89	908023	.G1-97	910002	.G1-107
906027	.G1-81	907021	.G1-89	908024	.G1-97	910020	.G1-107

PART NUMBER INDEX



Part Number	Page	Part Number	Page	Part Number	Page	Part Number	Page
910021	G1-107	912136	G1-125	DCS09400G	G3-28, G3-47	LUBEKITTXT205	G2-37, G2-99
910022	G1-107	91213615	G1-126	DCS09400P	G3-28, G3-45	LUBEKITTXT3	G2-39, G2-101
910023	G1-107	91213625	G1-126	DCS09440G	G3-28, G3-47	LUBEKITTXT305	G2-41, G2-103
910024	G1-107	912137	G1-125	DCS09440P	G3-28, G3-45	LUBEKITTXT4	G2-43, G2-105
910025	G1-107	91213740	G1-126	DCS10360G	G3-29, G3-47	LUBEKITTXT405	G2-45, G2-107
910026	G1-107	912180	G1-125	DCS10360P	G3-29, G3-45	LUBEKITTXT5	G2-47, G2-109
910027	G1-107	912249	G1-111, G1-119	DCS10400G	G3-29, G3-47	LUBEKITTXT505	G2-49, G2-111
910028	G1-107	963763	G2-162	DCS10400P	G3-29, G3-45	LUBEKITTXT6	G2-51, G2-113
910029	G1-107	A45631	G3-51	DCS10440G	G3-29, G3-47	LUBEKITTXT605	G2-53, G2-115
910030	G1-107	DCS04140G	G3-24, G3-46	DCS10440P	G3-29, G3-45	LUBEKITTXT7	G2-55, G2-117
910031	G1-107	DCS04140P	G3-24, G3-44	DCS11360G	G3-30, G3-47	LUBEKITTXT705	G2-57, G2-119
910090	G1-107	DCS04180G	G3-24, G3-46	DCS11360P	G3-30, G3-45	LUBEKITTXT8	G2-59, G2-121
910096	G1-107	DCS04180P	G3-24, G3-44	DCS11400G	G3-30, G3-47	LUBEKITTXT805	G2-61, G2-63
910099	G1-107	DCS04210G	G3-24, G3-46	DCS11400P	G3-30, G3-45	LUBEKITTXT9	G2-65, G2-66
910102	G1-107	DCS04210P	G3-24, G3-44	DCS11440G	G3-30, G3-47	LUBEKITTXT905	G2-65, G2-66
910103	G1-107	DCS04250G	G3-24, G3-46	DCS11440P	G3-30, G3-45	TA1107BG-Pos	G1-11, G1-11
910106	G1-107	DCS04250P	G3-24, G3-44	DCS12360G	G3-31, G3-47	TA1107MM	G1-11, G1-11
910109	G1-107	DCS04280G	G3-24, G3-46	DCS12360P	G3-31, G3-45	TA1107SCA	G1-11, G1-11
910114	G1-119	DCS04280P	G3-24, G3-44	DCS12400G	G3-31, G3-47	TA1107SCP	G1-11, G1-11
910115	G1-119	DCS04320G	G3-24, G3-46	DCS12400P	G3-31, G3-45	TA1107SCS	G1-11, G1-11
910126	G1-125	DCS04320P	G3-24, G3-44	DCS12440G	G3-31, EEEEG3-47	TCS04140G	G3-24, G3-46
910129	G1-125	DCS05210G	G3-25, G3-46	DCS12440P	G3-31, G3-45	TCS04140P	G3-24, G3-44
910130	G1-125	DCS05210P	G3-25, G3-44	LUBEKITTA0107	G1-33, G1-126	TCS04180G	G3-24, G3-46
910136	G1-125	DCS05250G	G3-25, G3-46	LUBEKITTA10507	G1-107, G1-126	TCS04180P	G3-24, G3-44
91013615	G1-126	DCS05250P	G3-25, G3-44	LUBEKITTA1107	G1-41, G1-126	TCS04210G	G3-24, G3-46
91013625	G1-126	DCS05280G	G3-25, G3-46	LUBEKITTA12608	G1-111, G1-126	TCS04210P	G3-24, G3-44
910137	G1-125	DCS05280P	G3-16, G3-25, G3-44	LUBEKITTA2115	G1-49, G1-126	TCS04250G	G3-24, G3-46
91013740	G1-126	DCS05320G	G3-25, G3-46	LUBEKITTA3203	G1-57, G1-126	TCS04250P	G3-24, G3-44
910180	G1-125	DCS05320P	G3-25, G3-44	LUBEKITTA4207	G1-65, G1-126	TCS04280G	G3-24, G3-46
910249	G1-107, G1-119	DCS05360G	G3-25, G3-46	LUBEKITTA5215	G1-73, G1-126	TCS04280P	G3-24, G3-44
912000	G1-111	DCS05360P	G3-25, G3-44	LUBEKITTA6307	G1-81, G1-126	TCS05140G	G3-25, G3-44
912001	G1-111	DCS06210G	G3-26, G3-46	LUBEKITTA7315	G1-89, G1-126	TCS05140P	G3-25, G3-44
912002	G1-111	DCS06210P	G3-26, G3-44	LUBEKITTA8407	G1-97, G1-126	TCS05180G	G3-25, G3-46
912020	G1-111	DCS06250G	G3-26, G3-46	LUBEKITTA9415	G1-103, G1-126	TCS05180P	G3-25, G3-44
912021	G1-111	DCS06250P	G3-26, G3-44	LUBEKITTXT1	G2-31, G2-93	TCS05210G	G3-25, G3-46
912022	G1-111	DCS06280G	G3-26, G3-46	LUBEKITTXT10	G2-67, G2-95	TCS05210P	G3-25, G3-44
912023	G1-111	DCS06280P	G3-26, G3-44	LUBEKITTXT105	G2-33, G2-95	TCS05250G	G3-25, G3-46
912024	G1-111	DCS06320G	G3-26, G3-46	LUBEKITTXT12	G2-68, G2-95	TCS05280G	G3-25, G3-46
912025	G1-111	DCS06320P	G3-26, G3-44	LUBEKITTXT13	G2-69, G2-95	TCS05280P	G3-25, G3-44
912026	G1-111	DCS06360G	G3-26, G3-46	LUBEKITTXT14	G2-70, G2-95	TCS06180G	G3-26, G3-46
912027	G1-111	DCS06360P	G3-26, G3-44	LUBEKITTXT15	G2-71, G2-95	TCS06180P	G3-26, G3-44
912028	G1-111	DCS07250G	G3-26, G3-44	LUBEKITTXT2	G2-35, G2-97	TCS06210G	G3-26, G3-46
912029	G1-111	DCS07250P	G3-27, G3-44			TCS06210P	G3-26, G3-44
912030	G1-111	DCS07280G	G3-27, G3-46			TCS06250G	G3-26, G3-46
912031	G1-111	DCS07280P	G3-27, G3-44			TCS06250P	G3-26, G3-44
912032	G1-111	DCS07320G	G3-27, G3-46				
912090	G1-111	DCS07320P	G3-27, G3-44				
912096	G1-111	DCS07360G	G3-27, G3-46				
912099	G1-111	DCS07360P	G3-27, G3-44				
912102	G1-111	DCS07400G	G3-27, G3-46				
912103	G1-111	DCS07400P	G3-27, G3-44				
912106	G1-111	DCS07440G	G3-27, G3-46				
912109	G1-111	DCS07440P	G3-27, G3-44				
912114	G1-119	DCS09320G	G3-28, G3-46				
912115	G1-119	DCS09320P	G3-28, G3-44				
912126	G1-125	DCS09360G	G3-28, G3-46				
912129	G1-125	DCS09360P	G3-28, G3-44				
912130	G1-125						



PART NUMBER INDEX

Part Number	Page	Part Number	Page	Part Number	Page	Part Number	Page
TCS06280GG3-26, G3-46		TCS12440GG3-31, G3-47					
TCS06280PG3-26, G3-44		TCS12440PG3-31, G3-45					
TCS06320GG3-26, G3-46		W12TO15BASE G4-126					
TCS06320PG3-26, G3-44		W16TO17BASE G4-126					
TCS06360GG3-26, G3-46		W21TO23BASE G4-126					
TCS06360PG3-26, G3-44		W28TO35BASE G4-126					
TCS07210GG3-27, G3-46							
TCS07210PG3-27, G3-44							
TCS07250GG3-27, G3-46							
TCS07250PG3-27, G3-44							
TCS07280GG3-27, G3-46							
TCS07280PG3-27, G3-44							
TCS07320GG3-27, G3-46							
TCS07320PG3-27, G3-44							
TCS07360GG3-27, G3-46							
TCS07360PG3-27, G3-44							
TCS09250GG3-28, G3-47							
TCS09250PG3-28, G3-45							
TCS09280GG3-28, G3-47							
TCS09280PG3-28, G3-45							
TCS09320GG3-28, G3-47							
TCS09320PG3-28, G3-45							
TCS09360GG3-28, G3-47							
TCS09360PG3-28, G3-45							
TCS09400GG3-28, G3-47							
TCS09400PG3-28, G3-45							
TCS09440GG3-28, G3-47							
TCS09440PG3-28, G3-45							
TCS10250GG3-29, G3-47							
TCS10250PG3-29, G3-45							
TCS10280GG3-29, G3-47							
TCS10280PG3-29, G3-45							
TCS10320GG3-29, G3-47							
TCS10320PG3-29, G3-45							
TCS10360GG3-29, G3-47							
TCS10360PG3-29, G3-45							
TCS10400GG3-29, G3-47							
TCS10400PG3-29, G3-45							
TCS10440GG3-29, G3-47							
TCS10440PG3-29, G3-45							
TCS11280GG3-30, G3-47							
TCS11280PG3-30, G3-45							
TCS11320GG3-30, G3-47							
TCS11320PG3-30, G3-45							
TCS11360GG3-30, G3-47							
TCS11360PG3-30, G3-45							
TCS11400GG3-30, G3-47							
TCS11400PG3-30, G3-45							
TCS11440GG3-30, G3-47							
TCS11440PG3-30, G3-45							
TCS12280GG3-31, G3-47							
TCS12280PG3-31, G3-45							
TCS12320GG3-31, G3-47							
TCS12320PG3-31, G3-45							
TCS12360GG3-31, G3-47							
TCS12360PG3-31, G3-45							
TCS12400GG3-31, G3-47							
TCS12400PG3-31, G3-45							

Engineering

System-1

Part Number Index

Keyword Index

L (Continued)

Lubrication	
MAXUM	G3-74
TIGEAR-2	G4-107
TORQUE-ARM II Reducers	G1-130
TORQUE-ARM Reducers	G2-158

M

Material Characteristics	G5-11
Mathematical Equations	G5-33
Maximum Input & Drive Speeds	
TORQUE-ARM, TXT, SCXT	G2-179
TORQUE-ARM II	G1-128
MAXUM	G3-1 - G3-80
Metric Standard Measurement & Conversion	G5-24
Modification/Accessories	
MAXUM	G3-32 - G3-52
TIGEAR-2	G4-92 - G4-109
TORQUE-ARM	
SCXT	G2-122 - G2-128
TXT	G2-72 - G2-81
Motor Mounting Bolt Kit, MAXUM	G3-43
Motor Mounts, TORQUE-ARM, TXT	G2-73 - G2-76
Mounting Base, TIGEAR-2	G4-16 - G4-81
Mounting Positions	
TIGEAR-2	G4-90 - G4-91
TORQUE-ARM	
SCXT	G2-186
TXT	G2-176
TORQUE-ARM II	G1-132

N

Natural Frequency, MAXUM	G3-79
Nomenclature	
MAXUM	G3-4
TIGEAR-2	G4-8
TORQUE-ARM	
HXT	G2-10 - G2-12
SCXT	G2-11 - G2-12
TXT	G2-10 - G2-12
TORQUE-ARM II	G1-8

O

Oil Capacities, MAXUM	G3-75
Oil Levels, MAXUM	G3-75
Oil Viscosity Classification	G5-21
Output Flange Kit, TIGEAR-2	G4-97
Overhung Load,	
TIGEAR-2	G4-10
Engineering	G5-33
MAXUM	G3-70
TORQUE-ARM	G2-179

P

PARA-FLEX Couplings	G3-44
Plug-In Output Shaft Kit(s)	
TIGEAR-2	G4-105
Properties of Sections	G5-35

R

Related Products	
MAXUM	G3-53 - G3-54
TORQUE-ARM	
HYDROIL, HXT	G2-154 - G2-155
TXT Reducers	G2-161 - G2-165
TORQUE-ARM II Reducers	G1-119 - G1-126
Renewal Parts	
TIGEAR-2	G4-112- G4-133
TORQUE-ARM	G2-159
TORQUE-ARM II	G1-124
Resonance, MAXUM	G3-79
Riser Block Kits	
TIGEAR-2	G4-95
Rod Mounting Positions, TORQUE-ARM, TXT	G2-176

S

Scoop Mount, MAXUM	G3-14
Scoop Mount Motors/Reducers, MAXUM	G3-39
Screw Conveyor Drive SCXT Reducers	G2-92 - G2-121
Screw Conveyor Drives, SCXT	G2-6
Selection	
MAXUM	G3-23 - G3-30
Size 1	G3-23
Size 2	G3-24
Size 3	G3-25
Size 4	G3-26
Size 5	G3-27
Size 6	G3-28
Size 7	G3-29
Size 9	G3-28
Size 11	G3-30
TIGEAR -2	G4-10 - G4-15
Horsepower Method	G4-11
Torque Method	G4-11
TORQUE-ARM	
HXT	G2-121 - G2-145
SCXT	G2-82 - G2-91
TXT	G2-126 - G2-127
TORQUE-ARM II	G1-12 - G1-29
Separate Reducers, MAXUM	G3-8
Service Factors	
TIGEAR-2	G4-10 - G4-15
MAXUM	G3-7
Shaft Keyseats/Hub Keyways	G5-16
Shafting/Shaft Diameters	G5-14
Shipping Weights, TIGEAR-2	G4-110
Slide Bases, MAXUM	G3-48
Soft Mounting, MAXUM	G3-79

S (Continued)

Specifications

MAXUM
TIGEAR-2
TORQUE-ARM

G3-4
G4-8
G2-9
G6-1

System-1

T

Thermal Horsepower Ratings, MAXUM

G3-66

Thrust and Overhung Loads, MAXUM

G3-57

Thrust Capacity/Screw Conveyor

TORQUE-ARM, SCXT
TORQUE-ARM II

G2-178
G1-129

Tie Rod Kit

TIGEAR-2

G4-96

Top Motor Mounts, MAXUM

G3-49

Torque & Horsepower Equivalents

G5-33

TORQUE-ARM

G2-1 - G2-186

TORQUE-ARM II

G1-1 - G1-136

Trigonometric Formula

G5-37

Trouble-Shooting, TORQUE-ARM, TXT

G2-180

Twin Tapered Bushing,

TXT

G2-2

U

U.S. Standard Sheet Metal Gages

G5-36

V

V-Belt Formulas

G5-9

V-Belt Drives, TORQUE-ARM

G2-163

Variable Speed, MAXUM

G3-69

W

Weights/Properties of Steel Shafting

G5-19

WR2 Values

MAXUM

G3-73

TORQUE-ARM

G2-179

NOTES



Engineering

System-1

Part Number Index

Keyword Index

For Additional information and DODGE Product Manuals on
DODGE Bearing Products, DODGE Gearing Products or DODGE
PT Components:

- > contact your local authorized DODGE Distributor
- > contact us at **864.297.4800**
- > visit us on the web at www.baldor.com





World Headquarters

P.O. Box 2400, Fort Smith, AR 72902-2400 U.S.A., Ph: (1) 479.646.4711, Fax (1) 479.648.5792, International Fax (1) 479.648.5895

Baldor - Dodge

6040 Ponders Court, Greenville, SC 29615-4617 U.S.A., Ph: (1) 864.297.4800, Fax: (1) 864.281.2433

www.baldor.com